



# **53cm Side Discharge Rear Bagging Mower**

**Model No. 20712 – 7900001 & Up**

---

## **Parts Catalog**

## ORDERING REPLACEMENT PARTS

To order replacement parts, please supply: the part number, the quantity, and the description of each part desired.

## Contents

Description	Page	Description	Page
Housing Assembly .....	1	Toro Part Number Index .....	14-15
Engine Assembly .....	2	Maintenance .....	16-17
Handle Assembly .....	3		
Rear Catcher Assembly .....	4		
Engine Briggs & Stratton		<b>Note:</b>	
Model 12U802-0639-01 .....	5-13		

## Accessories

Description	Model / Parts No.	Description	Model / Parts No.
-------------	-------------------	-------------	-------------------

## Part Description Abbreviations

Part descriptions in this catalog may include the following abbreviations.

Abbreviation	Meaning	Abbreviation	Meaning
AR .....	as required	HWHTF .....	hex washer head thread forming
ASM .....	assembly	INC .....	incorporated
CARR .....	carriage	LH .....	left hand
DEG .....	degrees	PH .....	pan head
FH .....	flat head	PPH .....	Phillips pan head
GA .....	gauge	PTO .....	power take off
HF .....	hex flange	RH .....	right hand
HFV .....	hex flange washer	SFH .....	slotted fillister head
HH .....	hex head	SH .....	square head
HHF .....	hex head flange	SHWH .....	slotted hex washer head
HHST .....	hex head self tapping	SPH .....	slotted pan head
HJ .....	hex jam	STD .....	standard
HOC .....	height-of-cut	TAP .....	self tapping
HS .....	hex socket	TH .....	truss head
HSBH .....	hex socket button head	TTH .....	Torx truss head
HSFH .....	hex socket flat head	WH .....	wing head
HSR .....	hex socket head		
HWH .....	hex washer head		

## Important Format Explanations

This catalog uses special formats to convey information in illustrations and parts lists. Specifically, one format is used in conjunction with service assemblies and another with quantities associated with reference numbers.

## Service Assemblies

Parts within service assemblies have reference numbers in the form  $X:Y$ .  $X$  is the reference number of the service assembly and  $Y$  is a sequential number unique to each part within the service assembly.

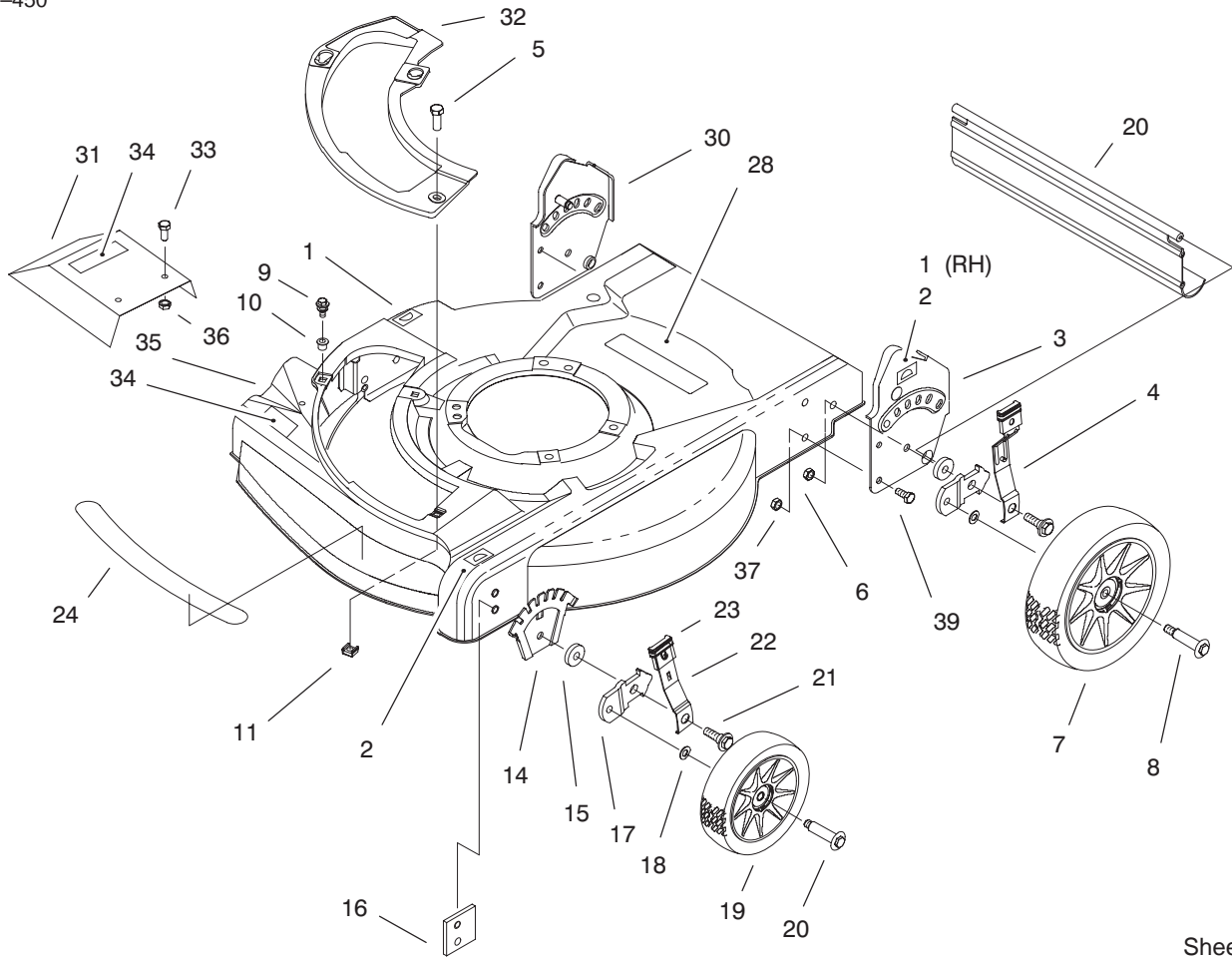
For example, a wheel assembly might be identified by reference number 6, the tire by 6:1, the valve by 6:2, and the wheel by 6:3. When you order the assembly identified by reference number 6, you receive all parts identified by reference numbers 6:1, 6:2, and 6:3. However, you may also order any part individually.

Reference numbers of this type appear in part lists and as callouts in illustrations.

## Reference Numbers with Quantities

Illustrations may have a quantity in parentheses next to a reference number, in the form  $X (Y)$ .  $X$  is the reference number.  $Y$  in parentheses is the quantity of the part identified by the reference number.

For example, the illustration callout 4 (2) indicates that two parts are used in that instance.

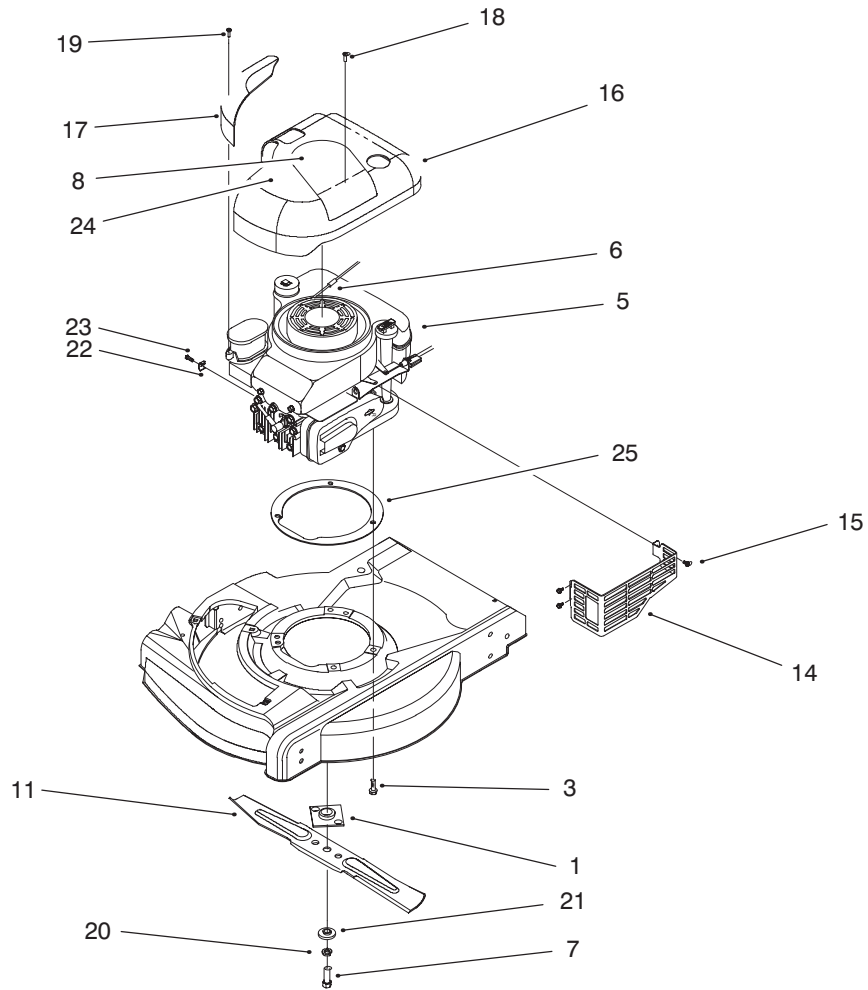


Sheet No.:2

## Housing Assembly

Ref. No.	Part No.	Qty.	Description
1	93-6671	2	Decal-HOC
2	93-6670	2	Decal-HOC
3	92-7743	1	ASM-Handle Brkt
4	92-1005	2	ASM-Spring Arm
5	46-6811	1	Screw-HWH
6	3296-39	2	Nut-Lock
7	684777	2	ASM-Wheel
8	614650	2	Bolt-Shoulder
9	614677	2	Screw-Sems
10	94-1610	2	Grommet-Plastic
11	613765	1	Nut-Cage
14	92-4881	2	Plate-Height Adjust
15	92-4890	4	Washer
16	92-7731	2	Plate-Baffle
17	614637	4	Bracket-Wheel Height Adj
18	40-1940	4	Washer
19	684776	2	ASM-Wheel & Tire 6"
20	92-1099	2	Bolt-Shoulder 6" Wheel
21	614672	4	Bolt-Shoulder
22	614687	2	Spring Arm-Front
23	92-1008	4	Knob-Height Adjust
24	95-7051	1	Decal-Deck
28	93-6657	1	Decal-Danger

Ref. No.	Part No.	Qty.	Description
30	92-7742	1	RH Handle Bracket ASM
31	94-1697	1	Guard-Plate (Incl. Ref. 34)
32	95-7052	1	Plate-Cover
33	32105-15	2	Screw-HH
34	93-6667	2	Decal-Danger
35	95-7082	1	ASM-Hous & Baffle(Mach) (Incl. Ref. 1-2, 10-13, 24-25, 28, & 34-35)
36	3296-42	2	Nut-Lock
37	3296-29	4	Nut-Lock
38	92-8647	1	Shield-Trailing
39	322-3	4	Screw-HH



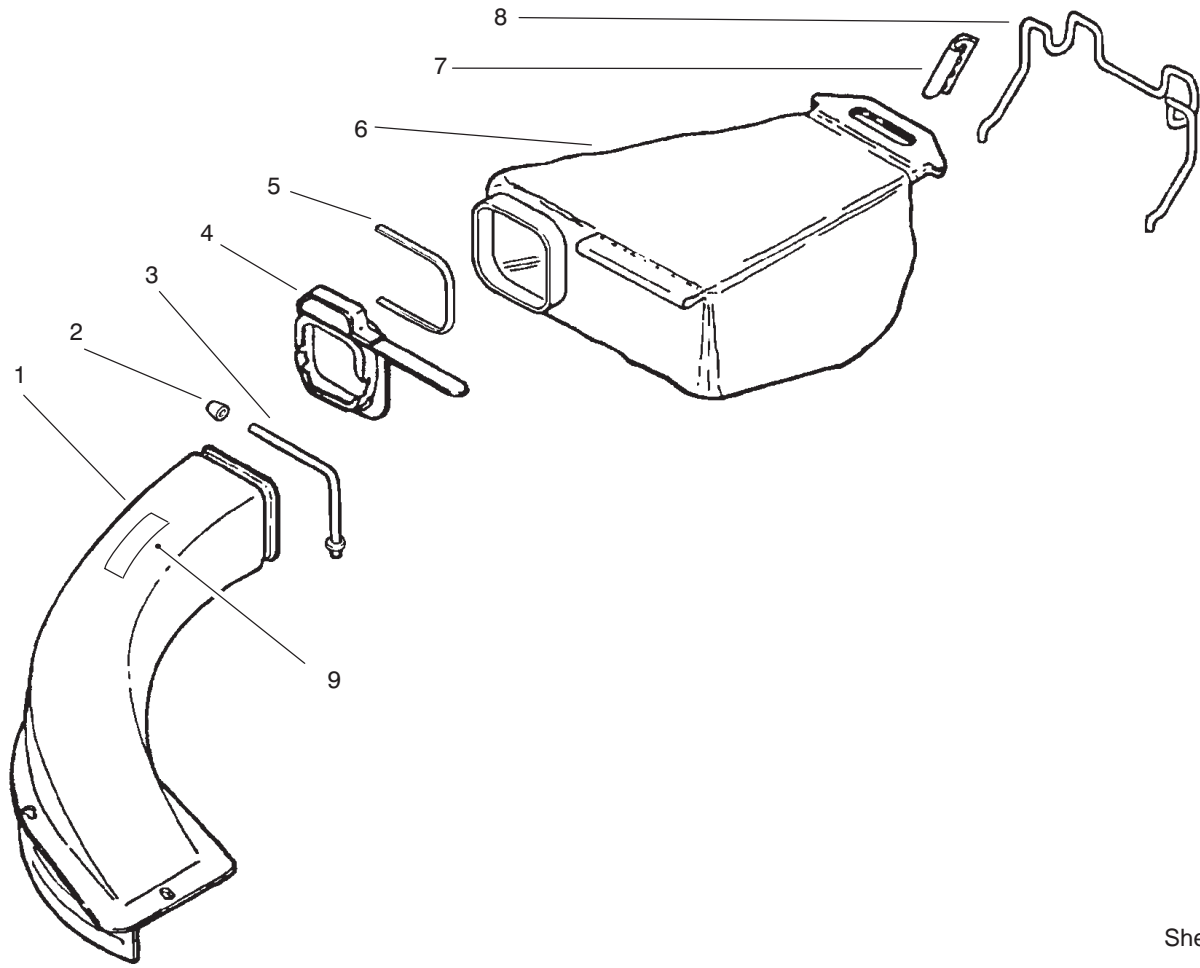
Sheet No.:3

## Engine Assembly

Ref. No.	Part No.	Qty.	Description
1	677525	1	ASM-Plate & Collar
3	95-1726	3	Screw-Engine Mount
5		1	Engine ASM 4-Cyc
6	2210-316	1	Rope-Stop (P/W Eng)
7	95-1748	1	Bolt-Blade
8	95-7053	1	Decal-Recoil
11	612543	1	Blade-21" Whirl
14	82-8550	1	Shield-Muffler
15	32144-73	3	Screw-HWHTF
16	95-1704	1	Shroud-Engine
17	95-1709	1	Cover-Air Cleaner
18	95-1706	2	Screw-Shroud (P/W Eng)
19	95-1707	2	Screw-Air Cleaner (P/W)
20	3253-22	1	Washer-Lock
21	92-8626	1	Spacer-Blade
22	2210-249	1	Clamp-Casing (P/W Eng)
23	93-8470	1	Screw-Clamp (P/W Eng)
24	95-7061	1	Nameplate-Shroud
25	93-7152	1	Plate-Engine

Ref. No.	Part No.	Qty.	Description





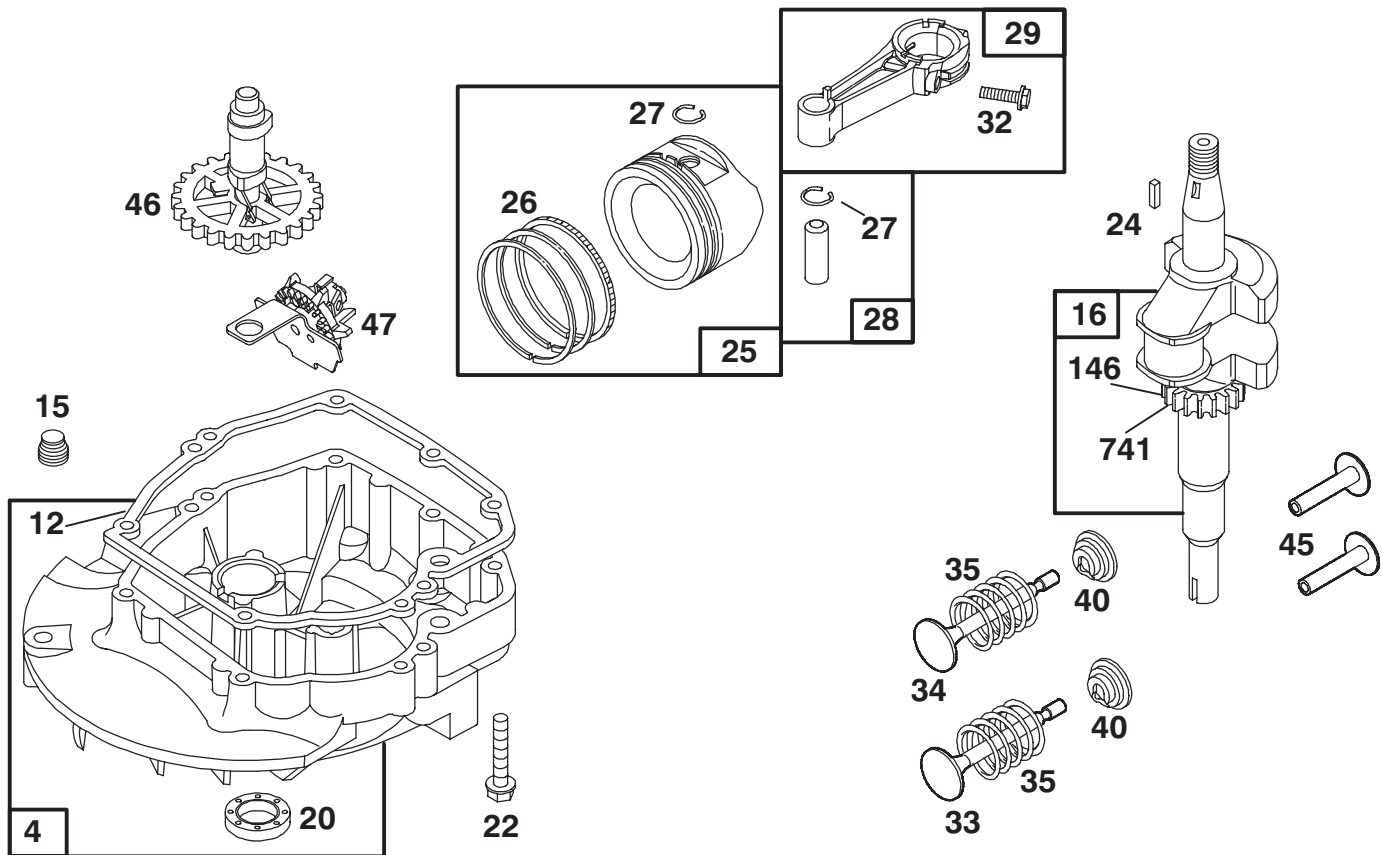
Sheet No.:5

### Rear Catcher Assembly

Ref. No.	Part No.	Qty.	Description
1	95-7081	1	Chute & Support Assembly (Incl. Ref. #2, 3, & 9)
2	614589	1	Nut-Cap
3	614591	1	Chute Support
4	684727	1	Adapter Assembly
5	614700	1	Tie Strap
6	95-7050	1	Bag Assembly
7	613462	2	Hanger Clamp
8	613455	1	Wide Hanger
9	95-7079	1	Decal-Danger

Ref. No.	Part No.	Qty.	Description





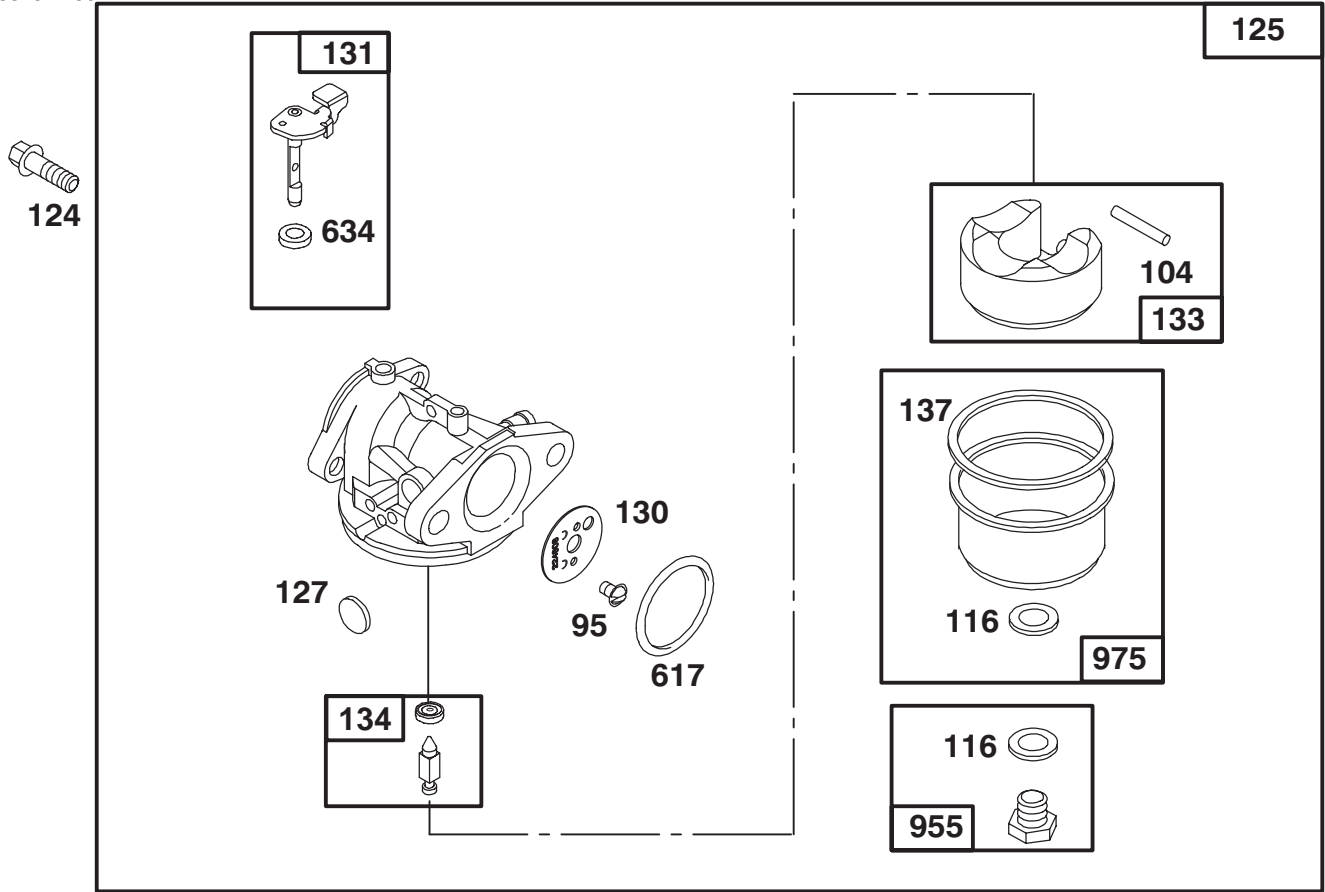
Assemblies include all parts shown in frames.

## ENGINE BRIGGS & STRATTON MODEL 12U802-0639-01

Ref. No.	Part No.	Description	No. Used
4	493279	Sump – Engine	1
★12	272198	Gasket – Crankcase	1
15	94720	Plug – Oil Drain	1
16	499147	Crankshaft	1
★20	399781	Seal – Oil	1
22	94220	Screw – Hex. Head	1
		<b>Note:</b> 94612 Screw – Hex. Head (One Used in Hole Nearest Breather)	1
24	222698	Key – Flywheel	1
25	499429	Piston Assy. (Standard)	1
	499430	Piston Assy. (.010" O.S.)	1
	499431	Piston Assy. (.020" O.S.)	1
	499432	Piston Assy. (.030" O.S.)	1
26	499425	Ring Set (Standard)	1
	499426	Ring Set (.010" O.S.)	1
	499427	Ring Set (.020" O.S.)	1
	499428	Ring Set (.030" O.S.)	1

Ref. No.	Part No.	Description	No. Used
27	263190	Lock – Piston Pin	1
28	499423	Pin – Piston (Standard)	1
29	499424	Rod Assembly – Connecting	1
32	94699	Screw – Connecting Rod	1
33	262651	Valve – Exhaust	1
34	262652	Valve – Intake	1
35	262224	Spring – Valve	1
40	93312	Retainer – Valve Spring	1
45	262204	Tappet – Valve	1
46	498275	Gear – Cam	1
47	493737	Slinger – Oil	1
146	94388	Key – Timing	1
741	262598	Gear – Timing	1

★ Included in Gasket Set—Part No. 497316.



Assemblies include all parts shown in frames.

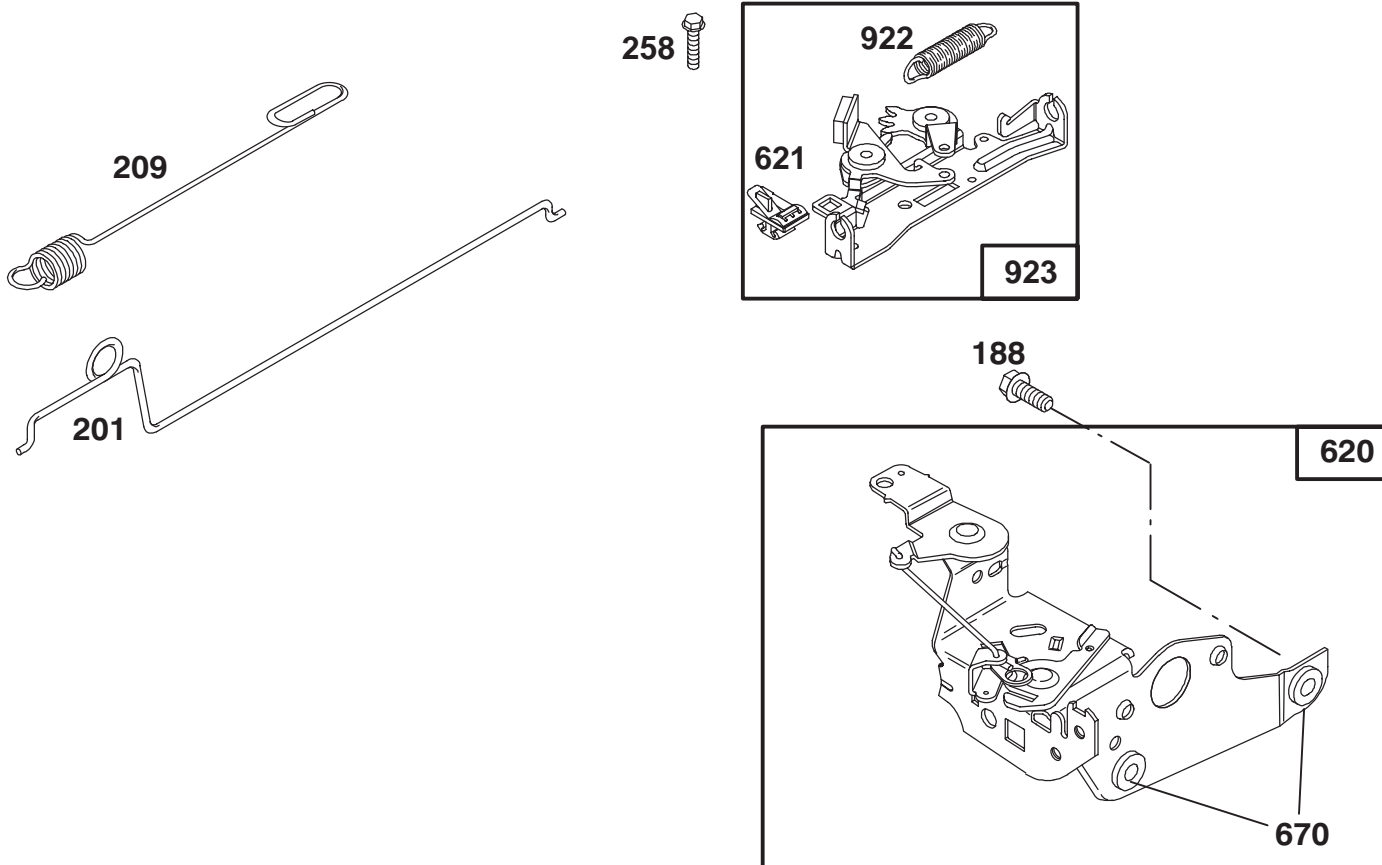
## ENGINE BRIGGS & STRATTON MODEL 12U802-0639-01

Ref. No.	Part No.	Description	No. Used
95	T94098	Screw – Throttle Valve Mtg.	1
●104	T231371	Pin – Float Hinge	1
●◆116		Gasket–Sealing (Sold in Kit Only)	1
124	94525	Screw – Carburetor Mtg.	1
125	498966	Carburetor Plug – Welch (Sold in Kit Only)	1
●127			1
130	224908	Valve – Throttle	1
131	T493267	Shaft – Throttle	1
133	398187	Float Assy. – Carburetor	1

Ref. No.	Part No.	Description	No. Used
●134	T398188	Valve – Inlet (Includes Seat)	1
●◆137		Gasket – Bowl (Sold in Kit Only)	1
●◆617	270344	Seal – Fuel Intake Tube	1
●◆634		Washer – Shaft (Sold in Kit Only)	1
955	498975	Screw – Bowl Mtg. (Std.)	1
		<b>Note:</b> 496495 Screw – Bowl Mtg. (High Altitude)	1
975	493640	Bowl Assy. – Carburetor	1

●Included in Carburetor Kit–Part No. 498260.

◆Included in Carburetor Gasket Set–Part No. 498261.



Assemblies include all parts shown in frames.

## ENGINE BRIGGS & STRATTON MODEL 12U802-0639-01

Ref. No.	Part No.	Description	No. Used
188	94644	Screw – Hex. Head	1
201	262579	Link – Governor	1
209	263044	Spring – Governor	1
258	94512	Screw–Hex. Head	1
620	497837	Bracket – Carburetor	1

Ref. No.	Part No.	Description	No. Used
621	396847	Switch – Stop	1
★670	493823	Spacer – Bracket (Includes 2)	1
922	262640	Spring–Brake	1
923	493442	Brake Assembly	1

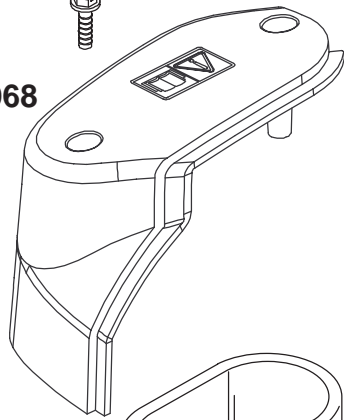
★ Included in Gasket Set–Part No. 497316.

3319-450

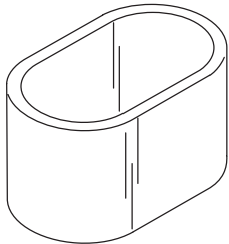
969



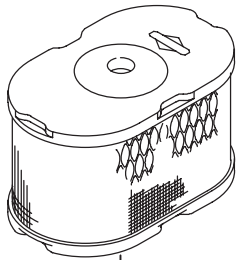
968



535



445

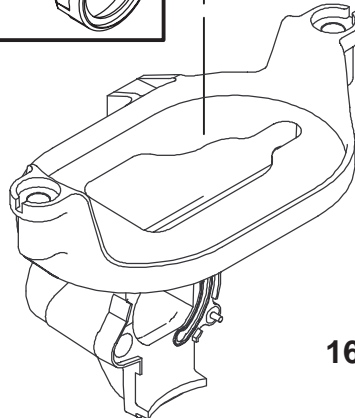
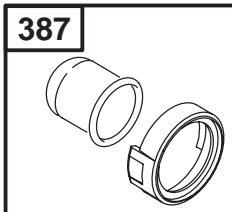


971

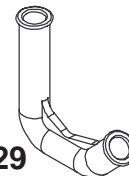


161

387



529



163



Assemblies include all parts shown in frames.

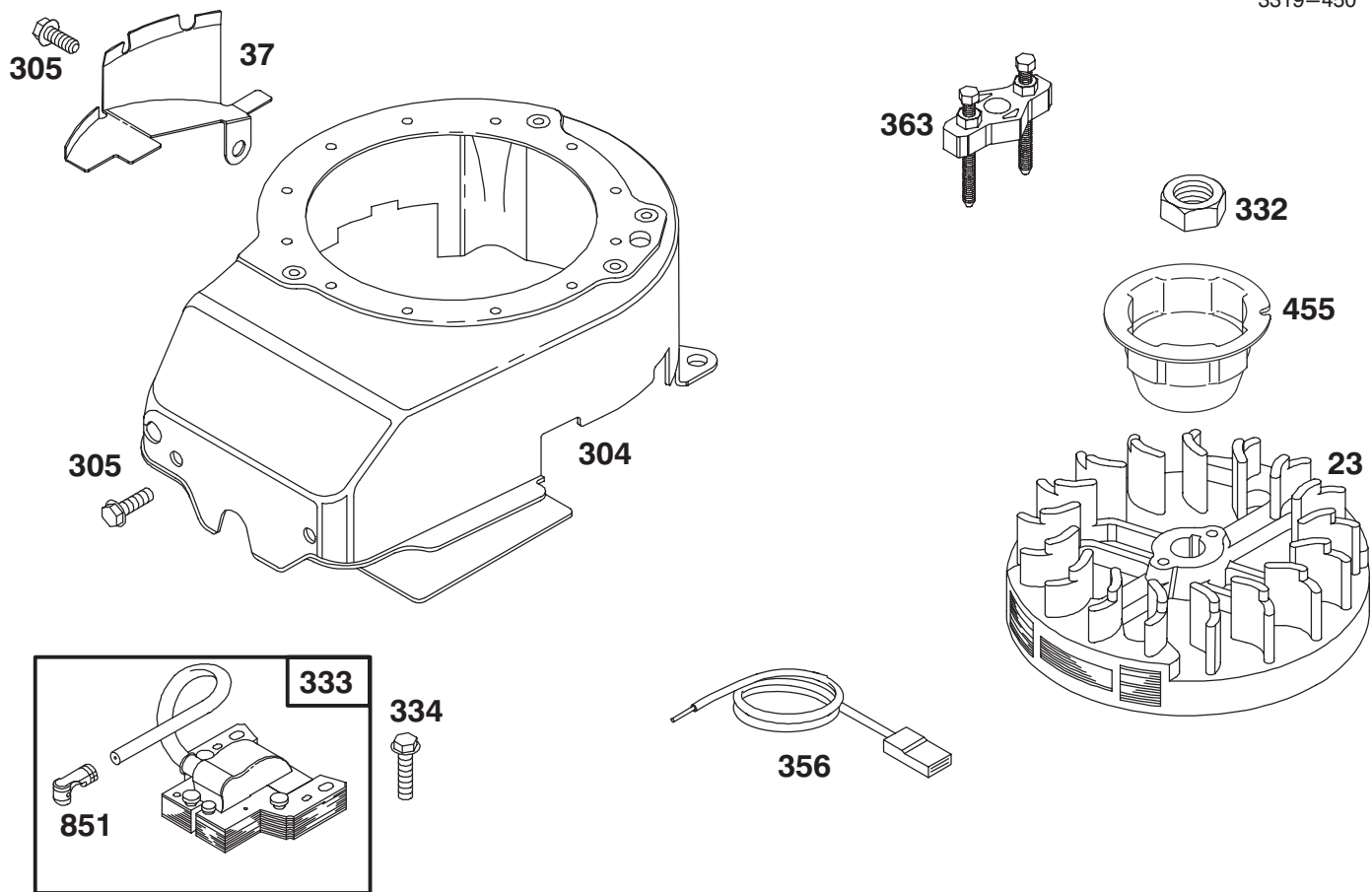
## ENGINE BRIGGS & STRATTON MODEL 12U802-0639-01

Ref. No.	Part No.	Description	No. Used
161	497915	Base – Air Cleaner	1
★●163	272653	Gasket – Air Cleaner	1
387	496115	Primer–Carburetor	1
445	497725	Filter – Air	1
529	281556	Grommet – Breather	1

Ref. No.	Part No.	Description	No. Used
535	273185	Filter – Air	1
968	281535	Cover – Air Cleaner	1
969	94777	Screw – Cover Mtg.	1
971	94655	Screw – Air Cleaner	1

★ Included in Gasket Set—Part No. 497316.

● Included in Carburetor Kit—Part No. 498260.

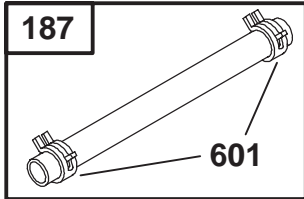
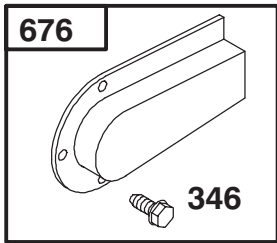
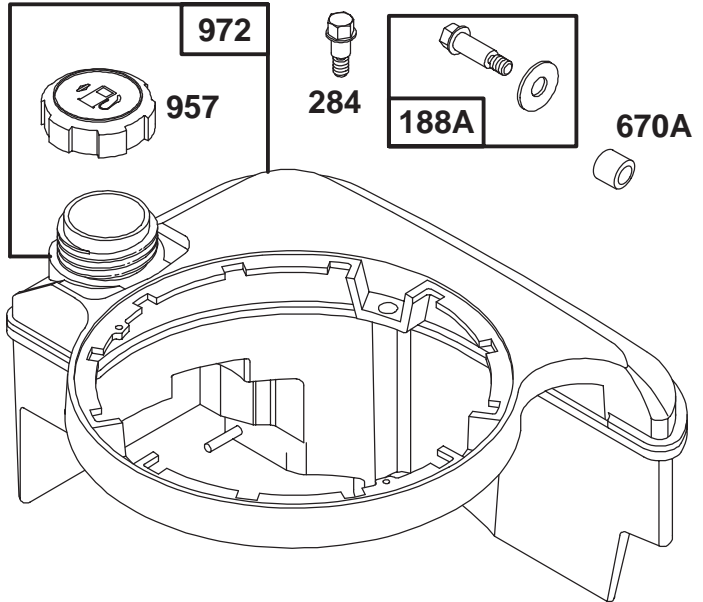
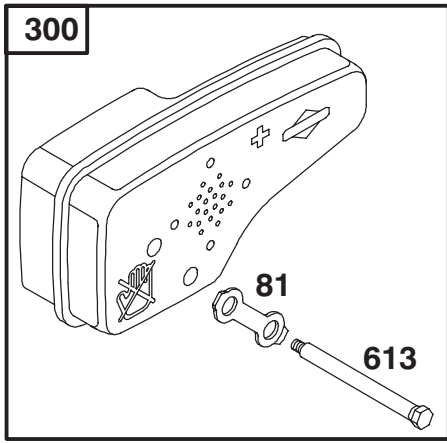


Assemblies include all parts shown in frames.

### ENGINE BRIGGS & STRATTON MODEL 12U802-0639-01

Ref. No.	Part No.	Description	No. Used
23	492177	Flywheel	1
37	224511	Guard - Flywheel	1
304	493293	Housing - Blower	1
305	94744	Screw - Sem	1
332	92284	Nut - Flywheel	1
333	802574	Armature - Magneto	1

Ref. No.	Part No.	Description	No. Used
334	94731	Screw - Sem	1
356	398808	Wire - Ground	1
363	19069	Flywheel Puller	1
455	225121	Cup - Starter	1
851	493880	Terminal - Ignition Cable	1



Assemblies include all parts shown in frames.

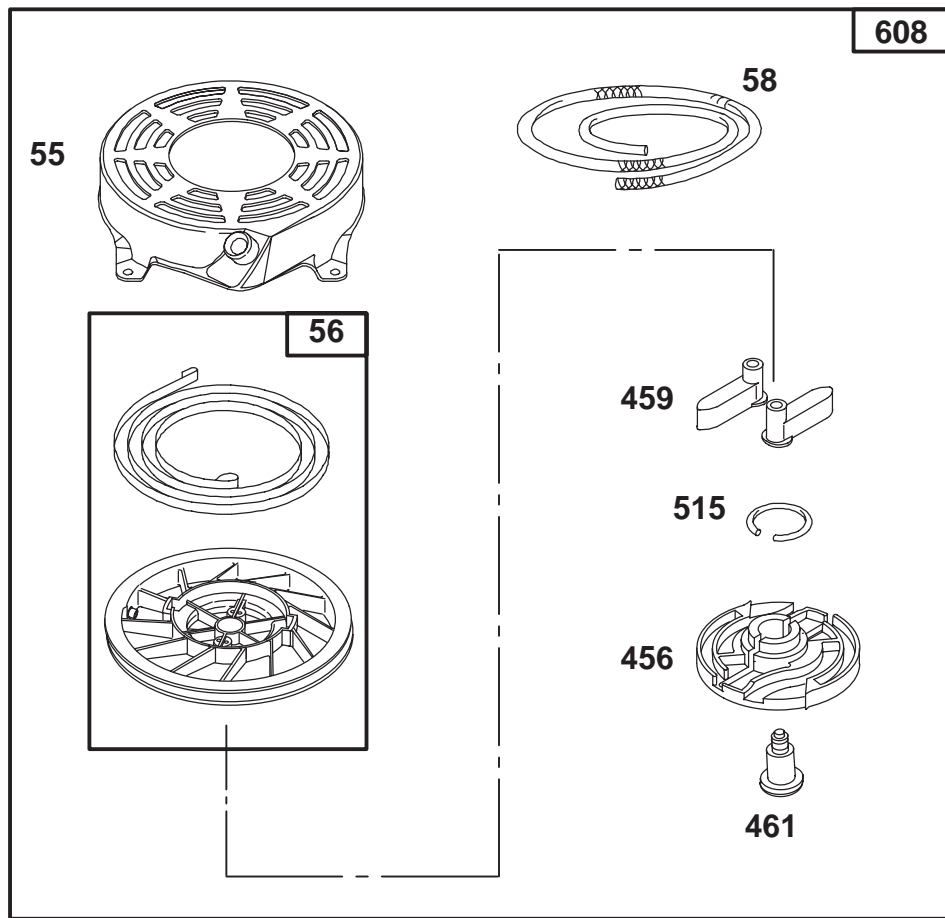
## ENGINE BRIGGS & STRATTON MODEL 12U802-0639-01

Ref. No.	Part No.	Description	No. Used
81	223664	Lock – Muffler Screw	1
187	492790	Hose – Fuel	1
188A	398540	Screw – Tank Mounting	1
284	94511	Screw – Shoulder	1
300	496106	Muffler – Exhaust	1
346	94896	Screw – Hex. Head	1
601	93053	Clamp – Hose	

\* Included in Gasket Set—Part No. 497316.

Ref. No.	Part No.	Description	No. Used
613	94231	Screw – Shoulder	1
670A	280512	Spacer – Fuel Tank	1
676	493871	Deflector – Muffler	1
*Ø883	272253	Gasket – Exhaust	1
957	397974	Cap Assy. – Fuel	1
972	495224	Tank Assembly – Fuel	1

Ø Included in Valve Overhaul Gasket Set—Part No. 498528.

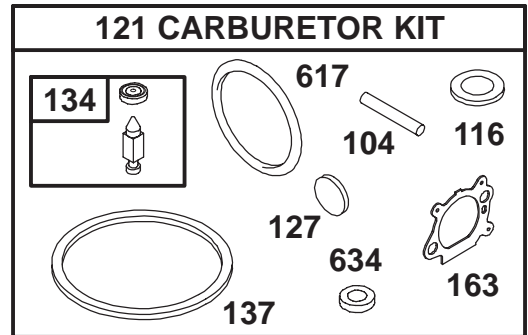
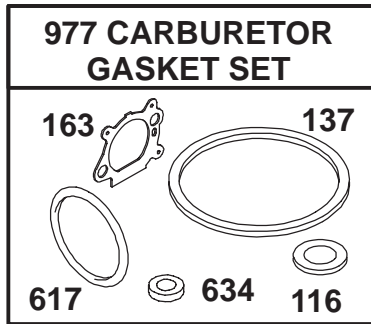
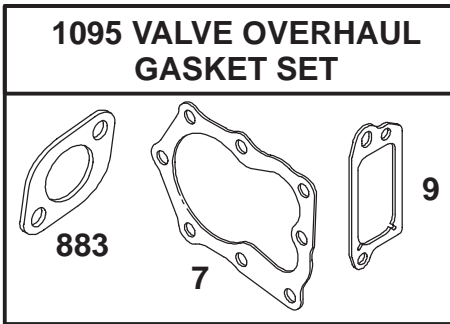
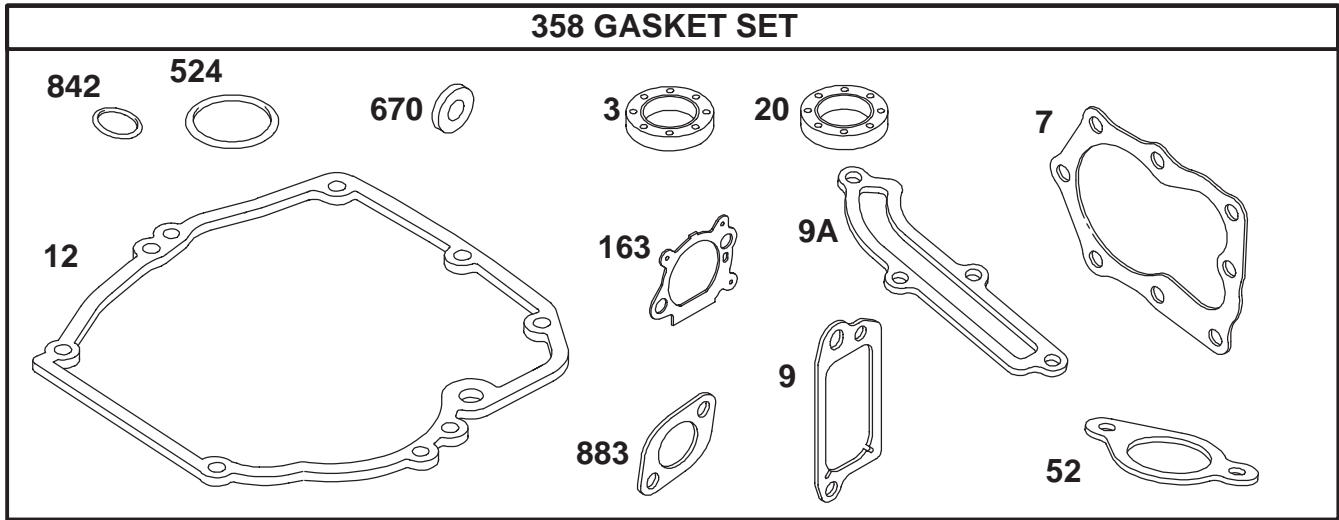


Assemblies include all parts shown in frames.

## ENGINE BRIGGS & STRATTON MODEL 12U802-0639-01

Ref. No.	Part No.	Description	No. Used
55	497440	Housing – Rewind Starter	1
56	498144	Pulley – Rewind Starter	1
58	280399	Rope – Rewind Starter (Cut to Required Length)	1
59	T224467	Insert – Starter Grip	1
60	T494212	Handle – Rewind Starter	1
456	281503	Retainer – Rewind Starter	1
459	281505	Pawl – Starter	1

Ref. No.	Part No.	Description	No. Used
461	94943	Pin – Starter	1
515	263073	Spring – Torsion	1
608	497680	Starter Assy. – Rewind <b>Includes:</b> 94904 Screw – Hex. Head 94908 Nut – Hex.	1  1 1



Assemblies include all parts shown in frames.

## ENGINE BRIGGS & STRATTON MODEL 12U802-0639-01

Ref. No.	Part No.	Description	No. Used
★3	299819	Seal – Oil	1
★Ø7	272916	Gasket – Cylinder Hd.	1
★Ø9	272481	Gasket – Breather	1
★9A	272238	Gasket – Baffle Plate	1
★12	272198	Gasket – Crankcase	1
★20	399781	Seal – Oil	1
★52	272199	Gasket – Intake Elbow	1
●104	231371	Pin – Float Hinge	1
●◆116		Gasket – Sealing (Sold in Kit Only)	1
121	498260	Carburetor Kit	1
●127		Plug – Welch (Sold in Kit Only)	1
●134	T398188	Valve – Inlet (Includes Seat)	1

Ref. No.	Part No.	Description	No. Used
●◆137		Gasket – Bowl (Sold in Kit Only)	1
★◆163	272653	Gasket – Air Cleaner	1
358	497316	Gasket Set	1
★524	280393	Seal – Filler Tube	1
●◆617	270344	Seal – Fuel Intake Tube	1
●◆634		Washer – Shaft (Sold in Kit Only)	1
★670	493823	Spacer – Bracket (Includes 2)	1
★842	280966	Seal – O-Ring	1
★Ø883	272253	Gasket – Exhaust	1
977	498261	Gasket Set – Carburetor	1
1095	498528	Gasket Set – Valve Overhaul	1

● Included in Carburetor Kit—Part No. 498260.  
◆ Included in Carburetor Gasket Set—Part No. 498261.

★ Included in Gasket Set—Part No. 497316.  
Ø Included in Valve Overhaul Gasket Set—Part No. 498528.

# Toro Part Number Index

Part No.	Page No.	Ref. No.	Qty.	Description
612543	2	11	1	Blade-21" Whirl
613455	4	8	1	Wide Hanger
613462	4	7	2	Hanger Clamp
613765	1	11	1	Nut-Cage
614243	3	3	2	Knob
614589	4	2	1	Nut-Cap
614591	4	3	1	Chute Support
614637	1	17	4	Bracket-Wheel Height Adj
614643	3	19	1	Handle Section-Lower
614650	1	8	2	Bolt-Shoulder
614672	1	21	4	Bolt-Shoulder
614677	1	9	2	Screw-Sems
614687	1	22	2	Spring Arm-Front
614697	3	2	2	Screw-Handle
614700	4	5	1	Tie Strap
677525	2	1	1	ASM-Plate & Collar
684727	4	4	1	Adapter Assembly
684776	1	19	2	ASM-Wheel & Tire 6"
684777	1	7	2	ASM-Wheel
40-1940	1	18	4	Washer
46-6811	1	5	1	Screw-HWH
82-8550	2	14	1	Shield-Muffler
92-1005	1	4	2	ASM-Spring Arm
92-1008	1	23	4	Knob-Height Adjust
92-1099	1	20	2	Bolt-Shoulder 6" Wheel
92-2269	3	5	1	Screw-Handle
92-4881	1	14	2	Plate-Height Adjust
92-4890	1	15	4	Washer
92-7731	1	16	2	Plate-Baffle
92-7742	1	30	1	RH Handle Bracket ASM
92-7743	1	3	1	ASM-Handle Brkt
92-8626	2	21	1	Spacer-Blade
92-8647	1	38	1	Shield-Trailing
93-3653	3	27	2	Handle-Guard
93-6657	1	28	1	Decal-Danger
93-6667	1	34	2	Decal-Danger
93-6670	1	2	2	Decal-HOC
93-6671	1	1	2	Decal-HOC
93-7152	2	25	1	Plate-Engine
93-7383	3	16	1	Guide-Rope
93-8470	2	23	1	Screw-Clamp (P/W Eng)
94-1610	1	10	2	Grommet-Plastic
94-1697	1	31	1	Guard-Plate
94-6096	3	6	1	Anchor-Cable
94-6097	3	30	1	Stop-Bail
94-6099	3	12	1	Bail-Flywheel Brake
95-1704	2	16	1	Shroud-Engine
95-1706	2	18	2	Screw-Shroud (P/W Eng)
95-1707	2	19	2	Screw-Air Cleaner (P/W)
95-1709	2	17	1	Cover-Air Cleaner
95-1713	3	13	1	Handle Section-Upper
95-1718	3	18	1	ASM-Brake Cable
95-1726	2	3	3	Screw-Engine Mount
95-1748	2	7	1	Bolt-Blade
95-7050	4	6	1	Bag Assembly
95-7051	1	24	1	Decal-Deck
95-7052	1	32	1	Plate-Cover
95-7053	2	8	1	Decal-Recoil
95-7061	2	24	1	Nameplate-Shroud
95-7064	3	17	1	Cable-Throttle
95-7079	4	9	1	Decal-Danger
95-7081	4	1	1	Chute & Support Assembly

\*Not Illustrated

# Toro Part Number Index (cont.)

<b>Part No.</b>	<b>Page No.</b>	<b>Ref. No.</b>	<b>Qty.</b>	<b>Description</b>
95-7082	1	35	1	ASM-Hous & Baffle(Mach)
2210-249	2	22	1	Clamp-Casing (P/W Eng)
2210-316	2	6	1	Rope-Stop (P/W Eng)
321-50	3	15	1	Screw
322-3	1	39	4	Screw-HH
3253-22	2	20	1	Washer-Lock
3256-1	3	25	1	Washer-Flat
3290-378	3	1	3	Tie-Cable
3296-29	1	37	4	Nut-Lock
3296-39	1	6	2	Nut-Lock
3296-42	1	36	2	Nut-Lock
3296-73	3	4	2	Nut-Lock
32105-15	1	33	2	Screw-HH
32144-73	2	15	3	Screw-HWHTF



