



# 22in Cordless Hedge Trimmer

Model No. 51494—Serial No. 314000001 and Up

Model No. 51494T—Serial No. 314000001 and Up

## Operator's Manual

Model 51494T does not include a battery or a charger.



If you have questions or problems, contact us at [www.Toro.com](http://www.Toro.com) or call toll free 1-800-237-2654 (US) or 1-800-248-3258 (Canada) before returning this product.

## General Power Tool Safety Warnings

### ⚠ WARNING

#### CALIFORNIA Proposition 65 Warning

This product contains a chemical or chemicals known to the State of California to cause cancer, birth defects, or reproductive harm.



**WARNING** Read all safety warnings and all instructions. Failure to follow the warnings and instructions may result in electric shock, fire, and/or serious injury.

Save all warnings and instructions for future reference.

The term "power tool" in all of the warnings listed below refers to your mains-operated (corded) power tool or battery-operated (cordless) power tool.

#### 1. Work area safety

- Keep work area clean and well lit.** Cluttered or dark areas invite accidents.
- Do not operate power tools in explosive atmospheres, such as in the presence of flammable liquids, gases or dust.** Power tools create sparks which may ignite the dust or fumes.
- Keep children and bystanders away while operating a power tool.** Distractions can cause you to lose control.

#### 2. Electrical safety

- Power tool plugs must match the outlet. Never modify the plug in any way. Do not use any adapter plugs with earthed (grounded) power tools.** Unmodified plugs and matching outlets will reduce risk of electric shock.

- Avoid body contact with earthed or grounded surfaces such as pipes, radiators, ranges and refrigerators.** There is an increased risk of electric shock if your body is earthed or grounded.
- Do not abuse the cord. Never use the cord for carrying, pulling or unplugging the power tool. Keep cord away from heat, oil, sharp edges or moving parts.** Damaged or entangled cords increase the risk of electric shock.
- Do not expose power tools to rain or wet conditions.** Water entering a power tool will increase the risk of electric shock.
- If operating a power tool in a damp location is unavoidable, use a supply protected by a residual current device (RCD) in AUS or a ground fault interrupt (GFI) in the USA.** Use of an RCD or GFI reduces the risk of electric shock.

#### 3. Personal safety

- Stay alert; watch what you are doing and use common sense when operating a power tool. Do not use a power tool while you are tired or under the influence of drugs, alcohol or medication.** A moment of inattention while operating power tools may result in serious personal injury.
- Use personal protective equipment. Always wear eye protection.** Protective equipment such as dust mask, non-skid safety shoes, hard hat, or hearing protection used for appropriate conditions will reduce personal injuries.
- Prevent unintentional starting. Ensure the switch is in the off-position before connecting to power source and/or battery pack, picking up or carrying the tool.** Carrying power tools with your finger on the switch or energizing power tools that have the switch on invites accidents.
- Remove any adjusting key or wrench before turning the power tool on.** A wrench or a key left attached to a rotating part of the power tool may result in personal injury.
- Do not overreach. Keep proper footing and balance at all times.** This enables better control of the power tool in unexpected situations.
- Dress properly. Do not wear loose clothing or jewelry. Keep your hair, clothing and gloves away**



from moving parts. Loose clothes, jewelry, or long hair can be caught in moving parts.

#### 4. Power tool use and care

- A. **Do not force the power tool. Use the correct power tool for your application.** *The correct power tool will do the job better and safer at the rate for which it was designed.*
- B. **Do not use the power tool if the switch does not turn it on and off.** *Any power tool that cannot be controlled with the switch is dangerous and must be repaired.*
- C. **Disconnect the battery pack from the power tool before making any adjustments, changing accessories, or storing power tools.** *Such preventive safety measures reduce the risk of starting the power tool accidentally.*
- D. **Store idle power tools out of the reach of children and do not allow persons unfamiliar with the power tool or these instructions to operate the power tool.** *Power tools are dangerous in the hands of untrained users.*
- E. **Maintain power tools. Check for misalignment or binding of moving parts, breakage of parts and any other condition that may affect the power tools operation. If damaged, have the power tool repaired before use.** *Many accidents are caused by poorly maintained power tools.*
- F. **Keep cutting tools sharp and clean.** *Properly maintained cutting tools with sharp cutting edges are less likely to bind and are easier to control.*
- G. **Use the power tool, accessories and tool bits etc. in accordance with these instructions, taking into account the working conditions and the work to be performed..** *Use of the power tool for operations different from those intended could result in a hazardous situation.*

#### 5. Battery tool use and care

- A. **Recharge only with the charger specified by the manufacturer.** *A charger that is suitable for one type of battery pack may create a risk of fire when used with another battery pack.*
- B. **Use power tools only with specifically designated battery packs.** *Use of any other battery packs may create a risk of injury and fire.*

- C. **When battery pack is not in use, keep it away from other metal objects, like paper clips, coins, keys, nails, screws, or other small metal objects that can make a connection from one terminal to another.** *Shorting the battery terminals together may cause burns or a fire.*
- D. **Under abusive conditions, liquid may be ejected from the battery; avoid contact. If contact accidentally occurs, flush with water. If liquid contacts eyes, additionally seek medical help.** *Liquid ejected from the battery may cause irritation or burns.*
- E. **Charging time will be increased if the battery is charged when the temperature is not between 0° C (32° F) and 40° C (104° F).**

#### 6. Service

**Have your power tool serviced by a qualified repair person using only identical replacement parts.** *This will ensure that the safety of the power tool is maintained.*

### Hedge Trimmer Safety Warnings

- **Use both hands when operating the hedge trimmer.** *Using one hand could cause loss of control and result in serious personal injury.*
- **Keep all parts of the body away from the cutter blade. Do not remove cut material or hold material to be cut when blades are moving. Make sure the switch is off when clearing jammed material. Blades coast after turn off.** *A moment of inattention while operating the hedge trimmer may result in serious personal injury.*
- **Carry the hedge trimmer by the handle with the cutter blade stopped.** *Proper handling of the hedge trimmer will reduce possible personal injury from the cutter blades.*
- **Hold the power tool by insulated gripping surfaces only, because the cutter blade may contact hidden wiring or its own cord.** *Cutter blades contacting a "live" wire may make exposed metal parts of the power tool "live" and could give the operator an electric shock.*
- **DANGER – Keep hands away from blade.** *Contact with blade will result in serious personal injury.*

## Safety and Instructional Decals

Safety decals and instructions are easily visible to the operator and are located near any area of potential danger. Replace any decal that is damaged or lost.

Symbol	Name	Designation/Explanation
DC	Direct current	Type of current
A	Amperes	Current
Hz	Hertz	Frequency (cycles per second)
SPM	Strokes per minute	Speed of blade
V	Volts	Voltage

**WARNING**  
TO REDUCE THE RISK OF INJURY,  
USER MUST READ INSTRUCTION MANUAL.  
Do not expose to rain. Use only Toro battery model 88502.

**AVERTISSEMENT** POUR RÉDUIRE LES RISQUES DE  
BLESSURES, LISEZ ATTENTIVEMENT LE MANUEL DE L'UTILISATEUR.  
Ne l'exposez pas à la pluie. Utilisez uniquement avec batterie TORO 88502.

20V MAX\* DC  $\approx$  22" / 560mm Dual Action / Double Action Cutting Capacity: 9/16" /  
Capacité de coupe : 14.3mm

\*Maximum initial voltage without workload, as rated by battery  
manufacturer. Under workload, nominal voltage is 18V.  
\*Tension initiale maximale sans charge, telle qu'indiquée par le fabricant  
de la batterie. Mesurée sous charge, la tension nominale est de 18 V.

1

Model: **51494**  
Modèle : **51494**  
Serial Number: **[REDACTED]**  
Numéro de série : **[REDACTED]**  
Date Code: **[REDACTED]**  
Code de date : **[REDACTED]**

Country of Origin: China / Pays d'origine : Chine  
218549  
THE TORO COMPANY  
8111 Lyndale Avenue South  
Bloomington, MN 55420-1196 USA

125-3277

Model 51494

1. Warning—read the *Operator's Manual*; do not operate in wet conditions; wear eye protection.

**WARNING**  
TO REDUCE THE RISK OF INJURY,  
USER MUST READ INSTRUCTION MANUAL.  
Do not expose to rain. Use only Toro battery model 88502.

**AVERTISSEMENT** POUR RÉDUIRE LES RISQUES DE  
BLESSURES, LISEZ ATTENTIVEMENT LE MANUEL DE L'UTILISATEUR.  
Ne l'exposez pas à la pluie. Utilisez uniquement avec batterie TORO 88502.

20V MAX\* DC  $\approx$  22" / 560mm Dual Action / Double Action Cutting Capacity: 9/16" /  
Capacité de coupe : 14.3mm

\*Maximum initial voltage without workload, as rated by battery  
manufacturer. Under workload, nominal voltage is 18V.  
\*Tension initiale maximale sans charge, telle qu'indiquée par le fabricant  
de la batterie. Mesurée sous charge, la tension nominale est de 18 V.

1

Model: **51494T**  
Modèle : **51494T**  
Serial Number: **[REDACTED]**  
Numéro de série : **[REDACTED]**  
Date Code: **[REDACTED]**  
Code de date : **[REDACTED]**

Country of Origin: China / Pays d'origine : Chine  
218549  
THE TORO COMPANY  
8111 Lyndale Avenue South  
Bloomington, MN 55420-1196 USA

121-7659

Model 51494T

1. Warning—read the *Operator's Manual*; do not operate in wet conditions; wear eye protection.

**TORO** 20V MAX\* LI-ION BATTERY

**CHARGING PROCEDURE (LED INDICATOR)**  
**PROCÉDURE DE CHARGEMENT (VOYANT DEL)**

● RED / ROUGE	BATTERY IS CHARGING	BATTERIE EN CHARGE
● RED / ROUGE	FULLY CHARGED / NO BATTERY PRESENT	PLEINE CHARGE / AUCUNE BATTERIE PRÉSENTE
● GREEN / VERT	BATTERY IS TOO WARM: REMOVE FOR APPROX. 30 MINUTES TO ALLOW TO COOL	LA BATTERIE EST TROP CHAUDE : L'ENLEVER PENDANT ENVIRON 30 MINUTES POUR LA LAISSER REFROIDIR

DO NOT REMOVE THIS DECAL / NE PAS RETIRER CET AUTOCOLLANT

121-7691

**TORO**

LITHIUM-ION BATTERY CHARGER  
CHARGEUR BATTERIE LITHIUM-ION  
Input: 100-120V AC, 50-60Hz, 70W  
Output: 18V MAX\* DC  $\approx$  2.6A

\*Maximum initial voltage without workload, as rated  
by battery manufacturer. Under workload, nominal  
voltage is 18V DC  $\approx$ .

\*Tension initiale maximale sans charge, telle qu'indiquée  
par le fabricant de la batterie. Mesurée sous charge,  
la tension nominale est de 18 V DC  $\approx$ .

1

**WARNING** To reduce the risk of injury,  
user must read the instruction  
manual. Use only with 88502 Lithium-ion Battery Pack.  
FOR INDOOR USE ONLY.

**AVERTISSEMENT** Pour réduire  
le risque de  
blessures, l'utilisateur doit lire le manuel d'utilisation.  
Utiliser uniquement avec 88502 Lithium-ion Battery  
Pack. POUR UN USAGE INTÉRIEUR.

Backfeed Protection / Protection contre le retour d'énergie

THE TORO COMPANY  
8111 Lyndale Avenue South  
Bloomington, MN 55420-1196 USA

Country of Origin: China / Pays d'origine : Chine  
Manufactured by CHANGZHOU GLOBE CO., LTD  
Fabriqué par CHANGZHOU GLOBE CO., LTD

Model: **88500** SL  
Modèle : **88500** SL  
Serial Number: **[REDACTED]**  
Numéro de série : **[REDACTED]**  
Date Code: **[REDACTED]**  
Code de date : **[REDACTED]**

LISTED  
E199857  
Class 2 Battery Charger  
40H6  
Chargeur de batterie Classe 2

125-3279

**TORO** 20V MAX\* DC  $\approx$  36Wh  
Li-Ion Battery / Batterie au lithium-ion

\*Maximum initial voltage without workload, as rated by battery  
manufacturer. Under workload, nominal voltage is 18V DC  $\approx$ .

\*Tension initiale maximale sans charge, telle qu'indiquée par le  
fabricant de la batterie. Mesurée sous charge, la tension nominale  
est de 18 V DC  $\approx$ .

1

**WARNING** To reduce the risk of injury, user  
must read the instruction manual.  
Wear eye protection. Do not short  
terminals. Do not throw into fire. Use only with Toro battery charger  
88500. When charging make sure temperature is between 0° to 40° C  
(32° to 104° F), -15° to 50° C (5° to 122° F) for discharge. Risk of fire,  
explosion and burns. Do not disassemble, crush, expose to heat above  
100° C (212° F), or incinerate. Keep battery out of reach of children.

**AVERTISSEMENT** Pour réduire le  
risque de blessures,  
l'utilisateur doit lire le  
manuel d'utilisation. Portez des lunettes de protection. Ne pas court-circuiter.  
Ne jetez pas au feu. Utilisez uniquement avec chargeur de batterie Toro  
88500. Lorsque vous chargez la batterie, assurez-vous que la température  
est de 0 à 40 °C (32 à 104 °F), -15 à 50 °C (5 à 122 °F) pour la décharge.  
Risque d'incendie, d'explosion et des brûlures. Ne pas démonter, écraser,  
exposer à une température au-dessus de 100 °C (212 °F) ou incinérer.  
Conservez la batterie hors de portée des enfants.

MH46446 Country of Origin: China / Pays d'origine : Chine

Model: **88502**  
Modèle : **88502**  
Serial Number: **[REDACTED]**  
Numéro de série : **[REDACTED]**  
Date Code: **[REDACTED]**  
Code de date : **[REDACTED]**

125-3295

## Operation

**Important:** The battery pack is not fully charged when it is purchased. Before using the hedge trimmer for the first time, place the battery pack in the charger charge until the LED indicators turn green. Make sure to read all safety precautions. With regular use, it will need shorter charging time. If storing for a prolonged period of time, remove the battery. When ready to use again, charge the battery pack until the LED indicators turn green.

# Starting the Hedge Trimmer

1. Remove the protective cover from the cutter blades (Figure 1).

## ⚠ WARNING

The hedge trimmer blades can cause cuts or amputation.

Be careful when handling the hedge trimmer with the protective cover removed.

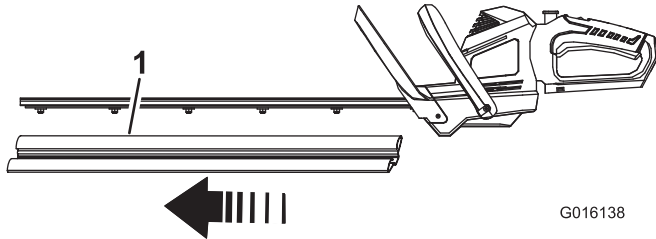


Figure 1

1. Protective cover
- 
2. Align the tongue of the battery pack with the cavity in the handle housing (Figure 2).

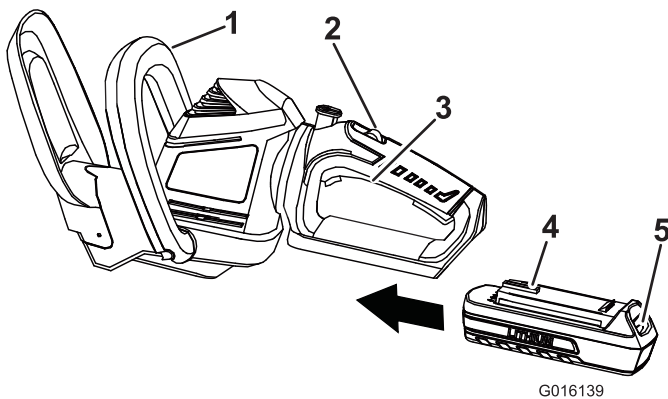


Figure 2

- |                     |           |
|---------------------|-----------|
| 1. Auxiliary handle | 4. Tongue |
| 2. Lock switch      | 5. Latch  |
| 3. Trigger          |           |
- 
3. Grasp the trigger handle (Figure 2)..
  4. Push the battery pack into the handle until the latch locks into place.
- Important: The battery pack is not fully charged when it is purchased. Before using the hedge trimmer for the first time, place the battery pack in the charger charge until the LED indicators turn green. Make sure to read all safety precautions. With regular use, it will need shorter charging time. If storing for a prolonged period of time, remove the battery. When ready to use again, charge the battery pack until the LED indicators turn green.**
5. Place one hand on the trigger handle. Place the other hand on the auxiliary handle (Figure 2).
  6. Slide the lock switch backwards, towards you, then squeeze the trigger switch to turn on the hedge trimmer (Figure 2). The trimmer will stay on as long as the trigger switch is squeezed. Lock-off switch may be released once hedge trimmer is running (Figure 2).

# Rotating the Hedge Trimmer Handle

1. Press and hold the rotational lock button.

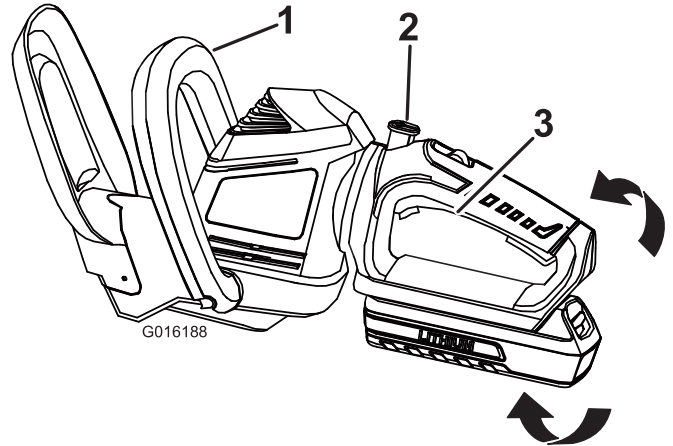


Figure 3

- |                           |           |
|---------------------------|-----------|
| 1. Auxiliary handle       | 3. Handle |
| 2. Rotational lock button |           |
- 
2. Rotate the handle to the right or left depending on desired cutting direction, then release the rotational lock button to lock the handle in the desired position.

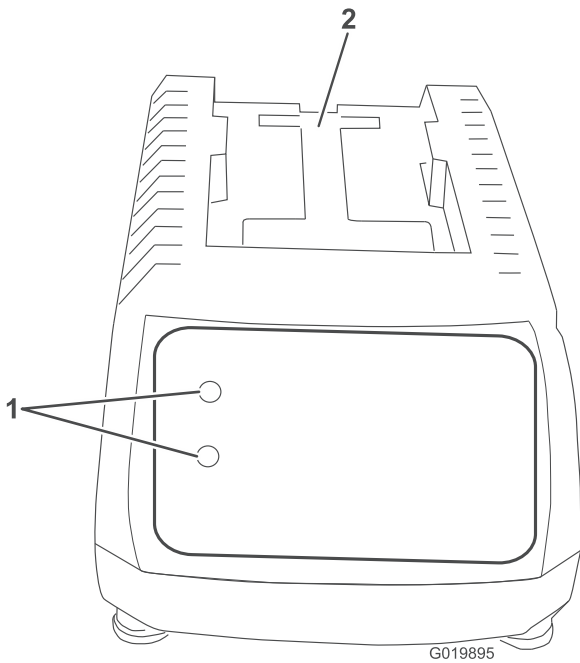
# Stopping the Hedge Trimmer

1. Release the trigger switch (Figure 2).
2. Allow at least 5 seconds for the cutting blade to stop moving.

# Charging the Battery Pack

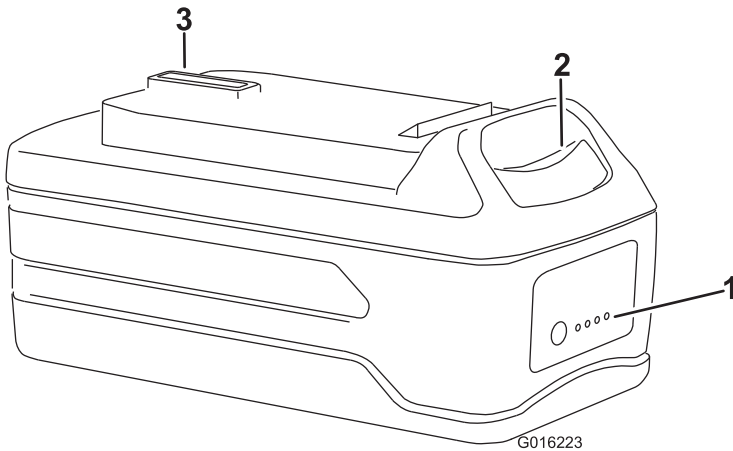
**Important: For best results, your battery pack should be charged in a location where the temperature is more than 0° C (32° F) but less than 40° C (104° F). To reduce the risk of serious personal injury, do not store outside or in vehicles. Charging time will increase if it is not charged within this range.**

1. Turn the battery upside down and line up the battery terminal with the slot in the charger (Figure 4 and Figure 5).



**Figure 4**

1. LED indicators                      2. Insert battery here



**Figure 5**

1. LED indicators (level of charge)      3. Battery terminal charge)  
 2. Release button
- 
2. Slide the battery into the charger until it clicks into place.  
 3. To remove the battery, press down on the release button and slide the battery backwards out of the charger.

4. Refer to the table below to interpret the LED indicators on the battery charger.

LED COLOR		
Top	Bottom	Indicates:
Red	Red	Battery is charging
Red	Green	Fully charged
Red	Orange	Battery is too warm: Remove for approximately 30 minutes

## Operating Tips

- The unit is used for cutting in either direction in a slow, sweeping action from side to side.
- Stand so that you are stable and balanced on both feet. Do not overreach.
- Inspect and clear the area of any hidden objects.
- Never use the hedge trimmer near power lines, fencing, posts, buildings, or other immovable objects.
- Never use a blade after hitting a hard object without first inspecting it for damage. Do not use if any damage is detected.
- Never touch blades or service unit with the power supply connected.
- Do not force the hedge trimmer through heavy shrubbery. This can cause the blades to bind and slow down. If the blades slow down, reduce the pace.
- Do not attempt to cut stems or twigs that are larger than 9/16 in., or those obviously too large to feed into the cutting blade. Use a non-powered hand saw or pruning saw to trim large stems.
- If blades do become jammed, stop the motor, allow the blades to stop, and remove the battery before attempting to remove the obstruction.
- If desired, you can use a string to help cut your hedge level. Decide how high you want the hedge. Stretch a piece of string along the hedge at the desired height. Trim the hedge just above the guide line of string.
- Trim the side of a hedge so that it will be slightly narrower at the top. More of the hedge will be exposed when shaped this way, and it will be more uniform.
- Wear gloves when trimming thorny or prickly growth. When trimming new growth, use a wide sweeping action, so that the stems are fed directly into the cutting blade.



# Maintenance

## Oiling the Trimmer Blade

**Note:** The trimmer blade should be oiled before and after each use.

1. Stop the motor and remove the battery.
2. Clean dirt and debris from the body of the hedge trimmer, using a damp cloth with a mild detergent.  
  
**Note:** Do not use any strong detergents on the plastic housing or the handle. They can be damaged by certain aromatic oils such as pine and lemon, and by solvents such as kerosene.
3. Lay the hedge trimmer on a flat surface. Apply light weight machine oil along the edge of the top blade. If you will be using the hedge trimmer for an extended period of time, it is advisable to oil the blade during use.

**Note:** Do not oil while the hedge trimmer is running.

## Preparing the Battery Pack for Recycling

### **⚠ WARNING**

**Before recycling, cover the battery pack's terminals with heavy-duty adhesive tape. Do not attempt to destroy or disassemble the battery pack or remove any of its components. Lithium-ion batteries must be recycled or disposed of properly at the nearest battery recycling facility.**

## Service

Should this item need service, take the product to your Authorized Toro Service Dealer. Your Toro Dealer is specially trained to repair Toro products and will ensure that your Toro stays "All" Toro.

## Storage

- Clean all foreign material from the product.
- Store it in a well-ventilated place that is inaccessible to children.
- Keep away from corrosive agents such as garden chemicals and de-icing salts.

## Troubleshooting

Using the battery when it is hot can reduce the operating time. The battery will automatically stop working when it is overheated to prevent damage to it. Remove the battery from the charger and allow it to cool before placing it back into the trimmer.

Using the battery when there is moisture on the leads can cause the trimmer to malfunction. Allow the battery to dry or wipe it dry before placing it back into the trimmer.

**Notes:**

## The Toro Promise - Electric Products

### A Two-Year Full Warranty for Residential Use for the United States and Canada

The Toro Company and its affiliate, Toro Warranty Company, pursuant to an agreement between them, jointly warrant this product for two years against defects in material or workmanship when used for normal residential purposes.\*

If you think your Toro Product contains a defect in materials or workmanship, if you have questions or problems, and before returning this product call toll free:

**Trimmers:**

1-800-237-2654 (US)  
1-800-248-3258 (Canada)

**Blowers:**

1-888-367-6631 (US)  
1-888-430-1687 (Canada)  
1-800-574-3312 (Mexico)

**Snowthrowers:**

1-800-808-2963 (US)  
1-800-808-3072 (Canada)

To receive a replacement or repair, at our option, return the complete unit to the seller. United States and Canada customers may return their product, with proof of purchase, to any Authorized Service Dealer. United States customers may also return their product, with proof of purchase, postage prepaid, to the Toro Service Center, 5500 SE Delaware, Ankeny, IA 50021.

This warranty covers product defects only. **Neither The Toro Company nor Toro Warranty Company is liable for indirect, incidental, or consequential damages in connection with the use of the Toro Products covered by this warranty, including any cost or expense of providing substitute equipment or service during reasonable periods of malfunction or non-use pending completion of repairs under this warranty. Some states do not allow exclusions of incidental or consequential damages, so the above exclusions may not apply to you.** This warranty gives you specific legal rights, and you may also have other rights which vary from state to state.

### Countries Other than the United States and Canada

Customers who have purchased Toro products exported from the United States or Canada should contact their Toro Distributor (Dealer) to obtain guarantee policies for your country, province, or state. If for any reason you are dissatisfied with your Distributor's service or have difficulty obtaining guarantee information, contact the Toro importer. If all other remedies fail, you may contact us at Toro Warranty Company.

### Australian Consumer Law

Australian customers will find details relating to the Australian Consumer Law either inside the box or at your local Toro Dealer.

\* Residential use means use of the product on the same lot as your home.

Part Number 374-0262 Rev. D





# Cortasetos inalámbrico de 55 cm (22 pulgadas)

Form No. 3379-704 Rev A

Nº de modelo 51494—Nº de serie 314000001 y superiores

Nº de modelo 51494T—Nº de serie 314000001 y superiores

## Manual del operador

El Modelo 51494T no incluye ni batería ni cargador.



Si usted tiene alguna pregunta o algún problema, contáctenos en [www.Toro.com](http://www.Toro.com) o llame al teléfono gratuito 1-800-237-2654 (EE.UU.) o 1-800-248-3258 (Canadá) antes de devolver este producto.

## Advertencias generales de seguridad para herramientas eléctricas

### ⚠ ADVERTENCIA

#### CALIFORNIA Advertencia de la Propuesta 65

Este producto contiene una o más sustancias químicas que el Estado de California considera causantes de cáncer, defectos congénitos o trastornos del sistema reproductor.



**ADVERTENCIA** Lea todas las advertencias y todas las instrucciones de seguridad. *El hacer caso omiso de las advertencias y instrucciones puede dar lugar a descargas eléctricas, incendios y/o lesiones graves.*

**Guarde todas las advertencias e instrucciones para su referencia futura.**

El término "herramienta eléctrica" que aparece en las advertencias que aparecen a continuación se refiere siempre a una herramienta accionada por el suministro eléctrico de la red (con cable) o una herramienta eléctrica accionada por batería (sin cable).

#### 1. Seguridad de la zona de trabajo

- A. **Mantenga la zona de trabajo limpia y bien iluminada.** Las zonas desordenadas u oscuras son una invitación al accidente.
- B. **No utilice herramientas eléctricas en atmósferas explosivas, como por ejemplo en presencia**

de líquidos inflamables, gases o polvo. Las herramientas eléctricas crean chispas que pueden inflamar el polvo o los vapores.

- C. **Mantenga alejados a niños y otras personas mientras utiliza una herramienta eléctrica.** Las distracciones pueden hacer que pierda el control.

#### 2. Seguridad eléctrica

- A. **La clavija de la herramienta eléctrica debe ser del tipo correcto para el enchufe. Nunca modifique el enchufe en modo alguno. No utilice ningún tipo de adaptadores de enchufe con herramientas eléctricas con toma de tierra.** El uso de clavijas sin modificar y enchufes apropiados reducirá el riesgo de descarga eléctrica.
- B. **Evite tocar superficies conectadas a tierra, tales como tuberías, radiadores, cocinas y refrigeradores.** Hay un mayor riesgo de descarga eléctrica si su cuerpo hace tierra.
- C. **No maltrate el cable. No utilice el cable nunca para transportar, arrastrar o desenchufar la herramienta eléctrica. Mantenga el cable alejado del calor, del aceite, de los bordes cortantes y de las piezas móviles.** Los cables dañados o enredados aumentan el riesgo de descarga eléctrica.
- D. **No exponga las herramientas eléctricas a la lluvia o a condiciones húmedas.** Si entra agua en una herramienta eléctrica, el riesgo de descarga eléctrica aumenta.
- E. **Si no es posible evitar usar una herramienta eléctrica en un lugar húmedo, utilice un suministro eléctrico protegido por un dispositivo de corriente residual (RCD) en AUS o por un dispositivo de interrupción de masa (GFI) en EE. UU.** El uso de un RCD o GFI reduce el riesgo de descarga eléctrica.

#### 3. Seguridad personal

- A. **Manténgase alerta; esté atento a lo que está haciendo y utilice el sentido común mientras utiliza una herramienta eléctrica. No utilice una herramienta eléctrica si está cansado o bajo la influencia de drogas, alcohol o medicamentos.** Una breve falta de atención mientras utiliza una herramienta eléctrica puede provocar lesiones personales graves.
- B. **Utilice equipos de protección personal Lleve protección ocular siempre.** El uso de equipos de



protección personal como mascarillas, calzado de seguridad antideslizante, casco y protección auditiva, en condiciones apropiadas, reducirá el riesgo de lesiones personales.

- C. **Evite el encendido accidental. Asegúrese de que el interruptor está en la posición de apagado antes de conectar la herramienta a la toma de corriente y/o a la batería, y antes de levantar o transportar la herramienta.** *Transportar las herramientas eléctricas con el dedo sobre el interruptor o enchufar herramientas eléctricas con el interruptor en la posición de encendido es una invitación al accidente.*
  - D. **Retire cualquier llave de ajuste antes de encender la herramienta eléctrica.** *Una llave olvidada en un componente giratorio de una herramienta eléctrica puede dar lugar a lesiones personales.*
  - E. **No intente alcanzar zonas demasiado alejadas. Pise firme y mantenga el equilibrio en todo momento.** *Esto permite un mayor control de la herramienta en situaciones imprevistas.*
  - F. **Utilice la ropa adecuada. No lleve ropas o joyas sueltas. Mantenga el pelo, la ropa y los guantes alejados de las piezas móviles.** *La ropa suelta, las joyas y el pelo largo pueden quedar atrapados en piezas móviles.*
4. **Uso y cuidado de las herramientas eléctricas**
- A. **No fuerce la herramienta eléctrica. Utilice la herramienta eléctrica adecuada para el trabajo a realizar.** *La herramienta eléctrica correcta realizará el trabajo mejor y con mayor seguridad a la velocidad para la que fue diseñada.*
  - B. **No utilice la herramienta eléctrica si el interruptor no la enciende y apaga.** *Cualquier herramienta eléctrica que no pueda ser controlada con el interruptor es peligrosa y debe ser reparada.*
  - C. **Desconecte la batería de la herramienta eléctrica antes de realizar cualquier ajuste, cambiar de accesorio o almacenar la herramienta.** *Estas medidas de seguridad preventivas reducen el riesgo de un arranque accidental de la herramienta eléctrica.*
  - D. **Si no la está usando, guarde la herramienta eléctrica fuera del alcance de los niños, y no permita que la utilicen personas no familiarizadas con la herramienta eléctrica o con estas instrucciones de uso de la herramienta eléctrica.** *Las herramientas eléctricas son peligrosas en manos de usuarios inexpertos.*
  - E. **Mantenimiento de las herramientas eléctricas. Compruebe que las piezas móviles están correctamente alineadas y que se mueven libremente sin agarrarse, que no hay piezas rotas, y que no hay otras circunstancias que podrían afectar al uso de la herramienta eléctrica. Si existen daños, haga reparar la herramienta eléctrica antes de usarla.** *Muchos accidentes se deben a un mantenimiento deficiente de las herramientas eléctricas.*
  - F. **Mantenga las herramientas de corte afiladas y limpias.** *Una herramienta de corte bien mantenida con filos bien afilados es más fácil de controlar y hay menos probabilidades de que se agarrote.*
  - G. **Utilice la herramienta, los accesorios, las brocas, etc., según lo indicado en estas instrucciones, teniendo en cuenta las condiciones de trabajo y el**

**trabajo a realizar.** *El uso de la herramienta eléctrica para operaciones diferentes de las previstas podría dar lugar a una situación de peligro.*

5. **Uso y cuidado de las herramientas a batería**
- A. **Recargar únicamente con el cargador especificado por el fabricante.** *Un cargador diseñado para un tipo de batería puede crear un riesgo de incendio si se utiliza con otra batería.*
  - B. **Utilice las herramientas eléctricas únicamente con las baterías específicamente indicadas.** *El uso de otra batería puede crear un riesgo de incendio y lesiones.*
  - C. **Cuando la batería no está en uso, manténgala alejada de otros objetos metálicos, como por ejemplo clips, monedas, llaves, puntillas u otros objetos metálicos pequeños que podrían hacer una conexión entre un terminal y otro.** *Un cortocircuito formado entre los terminales de la batería puede causar quemaduras o un incendio.*
  - D. **En condiciones de uso incorrecto, puede haber una fuga de líquido de la batería; evite el contacto con dicho líquido. En caso de un contacto accidental, lavar con abundante agua. Si el líquido entra en contacto con los ojos, busque también ayuda médica.** *El líquido expulsado de la batería puede causar irritación o quemaduras.*
  - E. **El tiempo de carga de la batería será mayor si la carga se realiza en temperaturas inferiores a 0° C (32° F) o superiores a 40° C (104° F).**

#### 6. **Mantenimiento**

**El mantenimiento de su herramienta eléctrica debe ser realizado por un técnico de reparaciones debidamente cualificado, utilizando únicamente piezas de repuesto idénticas.** *Sólo de esta manera se garantiza el mantenimiento de la seguridad de la herramienta eléctrica.*

#### **Advertencias de seguridad para cortasetos**

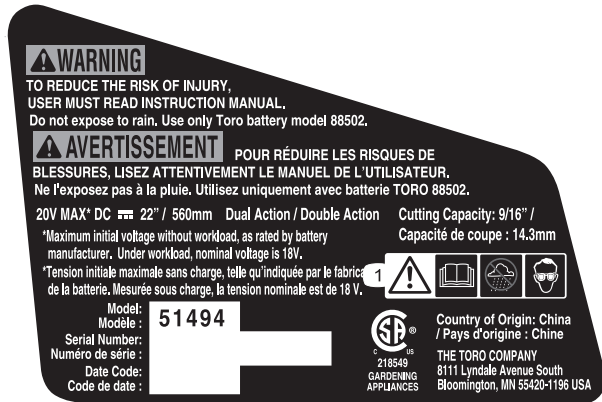
- **Utilice las dos manos para manejar el cortasetos.** *El uso de una sola mano podría causar una pérdida de control con resultado de lesiones personales graves.*
- **Mantenga todo el cuerpo alejado de la cuchilla.** *No retire el material cortado ni sujete el material a cortar mientras las cuchillas están en movimiento. Asegúrese de que el interruptor está apagado antes de despejar cualquier obstrucción. Las cuchillas siguen moviéndose después de apagarse la máquina. Una breve falta de atención mientras maneja el cortasetos puede provocar lesiones personales graves.*
- **Transporte el cortasetos por la empuñadura con la cuchilla parada.** *Un manejo correcto del cortasetos reducirá la posibilidad de sufrir lesiones personales con las cuchillas.*
- **Sujete la herramienta eléctrica únicamente por las superficies de agarre aislados, porque la cuchilla podría entrar en contacto con cables ocultos o con su propio cable.** *Si las cuchillas entran en contacto con un cable con corriente, las partes metálicas expuestas de la herramienta eléctrica también tendrán corriente y el operador podría recibir una descarga eléctrica.*
- **PELIGRO – Mantenga las manos alejadas de la cuchilla.** *El contacto con la cuchilla causará lesiones personales graves.*

# Pegatinas de seguridad e instrucciones



Las pegatinas e instrucciones de seguridad están a la vista del operador y están ubicadas cerca de cualquier zona de peligro potencial. Sustituya cualquier pegatina que esté dañada o que falte.

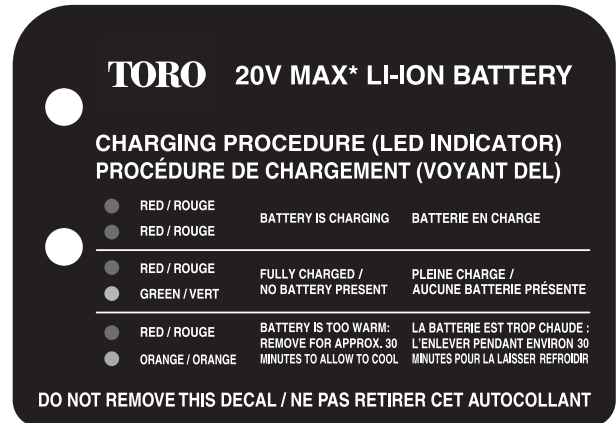
Símbolo	Nombre	Designación/explicación
CC	Corriente continua	Tipo de corriente
A	Amperios	Corriente
Hz	Hercios	Frecuencia (ciclos por segundo)
SPM	Ciclos por minuto	Velocidad de la cuchilla
V	Voltios	Voltaje (Tensión)



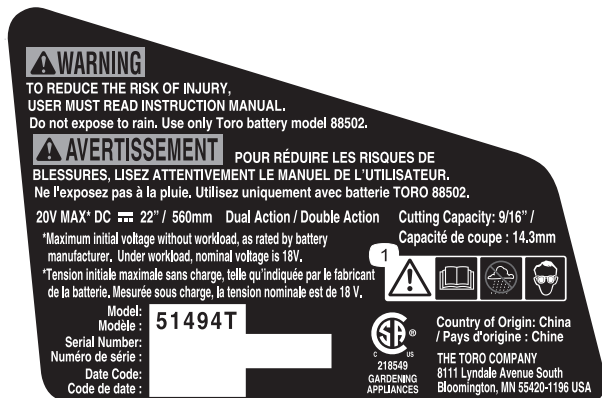
125-3277

Modelo 51494

1. Advertencia—lea el *Manual del operador*; no utilice la máquina en condiciones húmedas; lleve protección ocular.



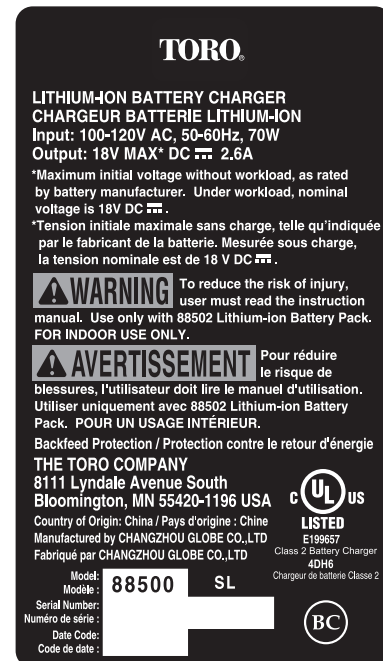
121-7691



121-7659

Modelo 51494T

1. Advertencia – lea el *Manual del operador*; no utilice la máquina en condiciones húmedas; lleve protección ocular.



125-3279



125-3295

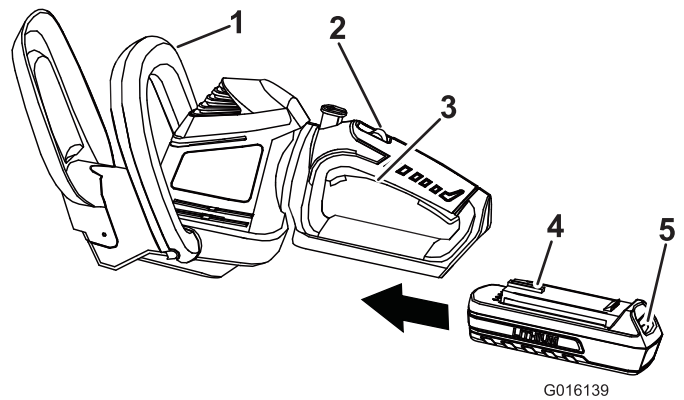


Figura 2

- |                           |             |
|---------------------------|-------------|
| 1. Empuñadura auxiliar    | 4. Lengüeta |
| 2. Interruptor de bloqueo | 5. Pestillo |
| 3. Gatillo                |             |

- Sujete la empuñadura con gatillo (Figura 2).
- Introduzca la batería en la empuñadura hasta que el pestillo encaje en su sitio.

**Importante:** En el momento de la compra la batería no está totalmente cargada. Antes de usar el cortasetos por primera vez, coloque la batería en el cargador y cárguela hasta que el indicador LED cambie a verde. Asegúrese de leer todas las precauciones de seguridad. Con el uso normal, el tiempo de carga será menor. Si va a almacenar el aparato durante un periodo de tiempo prolongado, retire la batería. Antes de usar el aparato de nuevo, cargue la batería hasta que el indicador LED cambie a verde.

- Coloque una mano en la empuñadura con gatillo. Coloque la otra mano en la empuñadura auxiliar (Figura 2).
- Deslice el interruptor de bloqueo hacia atrás, hacia usted, luego apriete el gatillo para encender el cortasetos (Figura 2). El cortasetos permanecerá encendido mientras se apriete el gatillo. Puede soltar el interruptor de bloqueo una vez que el cortasetos esté funcionando (Figura 2).

## Operación

**Importante:** En el momento de la compra la batería no está totalmente cargada. Antes de usar el cortasetos por primera vez, coloque la batería en el cargador y cárguela hasta que el indicador LED cambie a verde. Asegúrese de leer todas las precauciones de seguridad. Con el uso normal, el tiempo de carga será menor. Si va a almacenar el aparato durante un periodo de tiempo prolongado, retire la batería. Antes de usar el aparato de nuevo, cargue la batería hasta que el indicador LED cambie a verde.

## Cómo arrancar el cortasetos

- Retire la funda protectora de las cuchillas (Figura 1).

### ADVERTENCIA

Las cuchillas del cortasetos pueden provocar cortes o amputaciones.

Tenga cuidado al manejar el cortasetos con la funda protectora retirada.

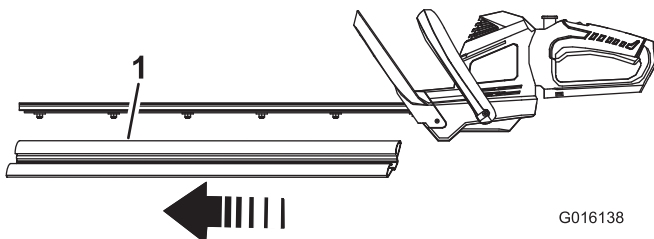
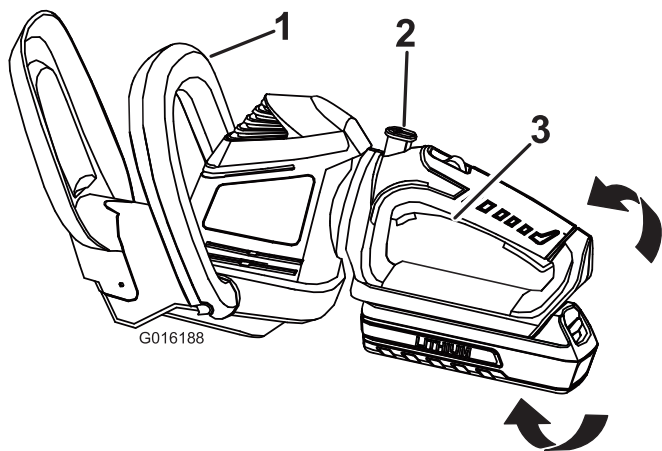


Figura 1

- Funda protectora
- Alinee la lengüeta de la batería con el hueco correspondiente de la carcasa de la empuñadura (Figura 2).

## Cómo rotar la empuñadura del cortasetos

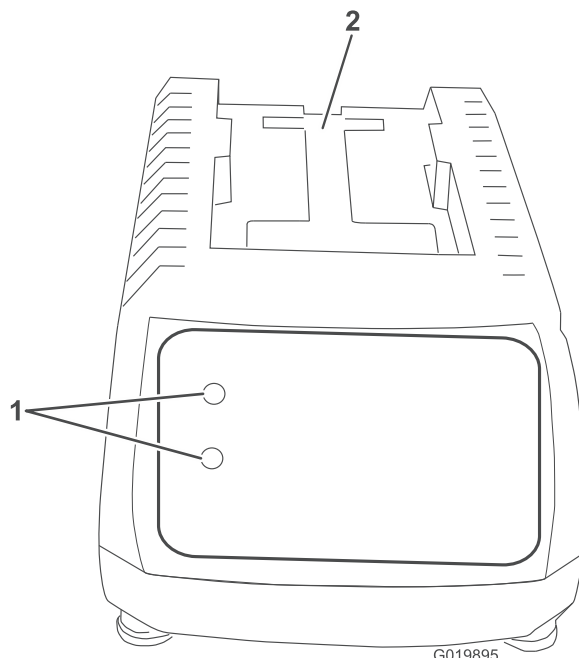
- Pulse y mantenga pulsado el botón de bloqueo de la rotación.



**Figura 3**

1. Empuñadura auxiliar
2. Botón de bloqueo de la rotación
3. Empuñadura

2. Rote la empuñadura a la izquierda o a la derecha dependiendo del sentido de corte deseado, luego suelte el botón de bloqueo de la rotación para bloquear la empuñadura en la posición deseada.



**Figura 4**

1. Indicadores LED
2. Introduzca la batería aquí

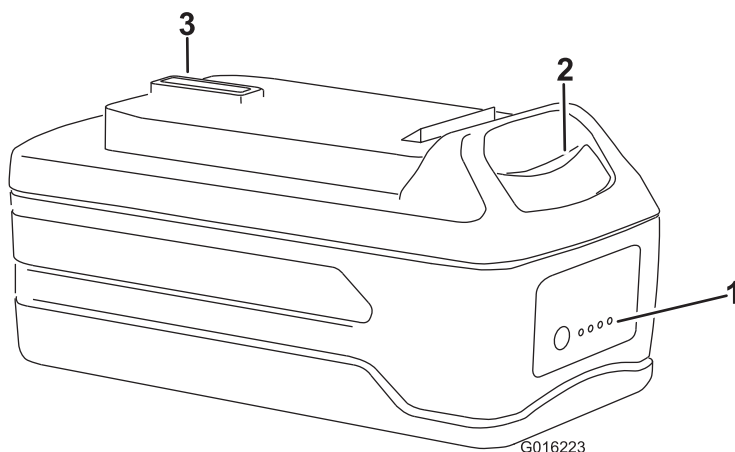
## Cómo apagar el cortasetos

1. Suelte el gatillo (Figura 2).
2. Espere al menos 5 segundos para que la cuchilla se detenga.

## Carga de la batería

**Importante:** Para obtener los mejores resultados, la batería debe cargarse en un lugar cuya temperatura sea superior a 0° C (32° F) pero inferior a 40° C (104° F). Para reducir el riesgo de lesiones personales graves, no almacene la herramienta en el exterior o en vehículos. El tiempo de carga será mayor si la temperatura no está en este intervalo.

1. Ponga la batería boca abajo y alinee el terminal de la batería con la ranura del cargador (Figura 4 y Figura 5).



**Figura 5**

1. Indicadores LED (nivel de carga)
2. Botón de liberación
3. Terminal de la batería

2. Introduzca la batería en el cargador hasta que encaje en su sitio.
3. Para retirar la batería, presione el botón de liberación y retire la batería del cargador deslizándola hacia atrás.
4. Consulte la tabla siguiente para interpretar los indicadores LED del cargador.

COLOR DE LOS LED		
Superior	Inferior	Indica:
Rojo	Rojo	La batería se está cargando



Rojo	Verde	Totalmente cargada
Rojo	Naranja	La batería está demasiado caliente: Retírela durante 30 minutos aproximadamente

3. Coloque el cortasetos en una superficie plana. Aplique aceite ligero para máquinas a lo largo del filo de la cuchilla. Si va a utilizar el cortasetos durante un período largo de tiempo, es aconsejable aplicar aceite a la cuchilla durante el uso.

**Nota:** No aplique aceite con los cortasetos en marcha.

## Consejos de operación

- El aparato corta en ambos sentidos, con movimientos lentos de barrido de un lado a otro.
- Colóquese de manera estable con el peso repartido entre ambos pies. No intente alcanzar zonas demasiado alejadas.
- Inspeccione la zona y recoja cualquier objeto oculto.
- No utilice el cortasetos nunca cerca de tendidos eléctricos, vallas, postes, edificios y otros objetos inamovibles.
- Si la cuchilla golpea un objeto duro, no la utilice sin antes inspeccionarla en busca de desperfectos. No la utilice si detecta algún desperfecto.
- No toque nunca las cuchillas ni realice tareas de mantenimiento con el cable de alimentación conectado.
- No fuerce el cortasetos si la vegetación es densa. Esto puede hacer que las cuchillas se agarroten y vayan más despacio. Si las cuchillas empiezan a ir más despacio, reduzca la velocidad.
- No intente cortar tallos o ramitas de más de 1.5 cm (9/16 pulgada), o que sean obviamente demasiado grandes para entrar en el mecanismo de corte. Utilice un serrucho manual o una sierra de podar para cortar tallos grandes.
- Si las cuchillas se atascan, pare el motor, espere a que las cuchillas se detengan y retire la batería antes de intentar retirar la obstrucción.
- Si lo desea, puede utilizar una cuerda para facilitar el corte horizontal del seto. Decida a qué altura desea dejar el seto. Extienda una cuerda a lo largo del seto a la altura deseada. Corte el seto justo por encima de la línea guía de cuerda.
- Corte el costado del seto de manera que quede algo más estrecho en la parte superior. De esta manera quedará expuesta una superficie mayor del seto y será más uniforme.
- Lleve guantes si va a cortar plantas con espinas. Para cortar el crecimiento nuevo, utilice una acción amplia de barrido, de manera que las piezas sean dirigidas directamente hacia la cuchilla.

## Mantenimiento

### Lubricación de la cuchilla

**Nota:** La cuchilla del cortasetos debe lubricarse antes y después de cada uso.

1. Pare el motor y retire la batería.
2. Limpie la suciedad y los residuos del cuerpo del cortasetos usando un paño húmedo con un detergente suave.

**Nota:** No utilice detergentes fuertes en la carcasa de plástico ni en la empuñadura. Pueden ser dañadas por algunos aceites aromáticos, por ejemplo de pino o limón, y por disolventes como el queroseno.

## Preparación de la batería para el reciclado

### ⚠ ADVERTENCIA

**Antes de reciclarla, tape los terminales de la batería con cinta adhesiva de servicio pesado. No intente destruir o desmontar la batería ni intente retirar cualquiera de los componentes de la misma. Las baterías de iones de litio deben ser recicladas o eliminadas correctamente en la instalación de reciclado más cercana.**

## Mantenimiento

Si este artículo necesita mantenimiento, llévelo a un Servicio Técnico Autorizado de Toro. Su Distribuidor Toro ha recibido formación especial en la reparación de los productos Toro y se asegurará de que su Toro siga siendo "Todo" Toro.

## Almacenamiento

- Limpie cualquier material extraño del producto.
- Guárdelo en un lugar bien ventilado fuera del alcance de los niños.
- Manténgalo alejado de agentes corrosivos como productos químicos de jardín o sal para deshielo.

## Solución de problemas

El uso de la batería cuando está caliente puede reducir el tiempo de funcionamiento. La batería dejará de funcionar automáticamente si se sobrecalienta, para evitar que se produzcan daños. Retire la batería del cargador y deje que se enfríe antes de instalarla de nuevo en la desbrozadora.

El uso de la batería cuando hay humedad en los cables puede hacer que la desbrozadora no funcione correctamente. Deje que la batería se seque o séquela con un paño antes de volver a colocarla en la desbrozadora.

**Notas:**



La Promesa Toro – Productos eléctricos

Garantía completa de dos años para el uso residencial en Estados Unidos y Canadá

The Toro Company y su afiliado, Toro Warranty Company, bajo un acuerdo entre sí, garantizan conjuntamente este producto durante dos años contra defectos de materiales o mano de obra cuando se utiliza con propósitos residenciales normales.\*

Si usted cree que su producto Toro tiene un defecto de materiales o de mano de obra, si tiene alguna pregunta o algún problema, y antes de devolver este producto, llame al teléfono gratuito:

**Desbrozadoras:**

1-800-237-2654 (EE.UU.)1-800-248-3258  
(Canadá)

**Sopladores:**

1-888-367-6631 (EE.UU.)1-888-430-1687  
(Canadá)1-800-574-3312 (México)

**Lanzanieves:**

1-800-808-2963 (US)1-800-808-3072  
(Canadá)

Para sustituir o reparar el producto, a nuestra discreción, devuelva la unidad completa al vendedor. Los clientes de Estados Unidos y Canadá pueden devolver su producto, con prueba de compra, a cualquier Servicio Técnico Autorizado. Los clientes de Estados Unidos también pueden devolver su producto, con prueba de compra y con portes pagados, al Toro Service Center, 5500 SE Delaware, Ankeny, IA 50021.

Esta garantía cubre defectos del producto solamente. **Ni The Toro Company ni Toro Warranty Company son responsables de daños indirectos, incidentales o consecuentes en conexión con el uso de los productos Toro cubiertos por esta garantía, incluyendo cualquier coste o gasto por la provisión de equipos de sustitución o servicio durante periodos razonables de mal funcionamiento o no utilización hasta la terminación de las reparaciones bajo esta garantía. Algunos estados no permiten exclusiones de daños incidentales o consecuentes, de manera que las exclusiones arriba citadas pueden no ser aplicables a usted.** Esta garantía le otorga a usted derechos legales específicos; es posible que usted tenga otros derechos que varían de un estado a otro.

Países fuera de Estados Unidos y Canadá

Los clientes que compraron productos Toro exportados de los Estados Unidos o Canadá deben ponerse en contacto con su Distribuidor (Concesionario) Toro para obtener pólizas de garantía para su país, provincia o estado. Si por cualquier razón usted no está satisfecho con el servicio ofrecido por su Distribuidor, o si tiene dificultad en obtener información sobre la garantía, póngase en contacto con el importador Toro. Si fallan todos los demás recursos, puede ponerse en contacto con nosotros en la Toro Warranty Company.

Ley de Consumo de Australia

Los clientes australianos encontrarán información sobre la Ley de Consumo de Australia dentro de la caja o a través de su concesionario Toro local.

\* "Uso residencial" significa el uso del producto en la misma parcela en que se encuentra su vivienda.

Número de pieza 374-0262 Rev. D



# Taille-haie sans fil de 55 cm (22 pouces)

N° de modèle 51494—N° de série 314000001 et suivants

N° de modèle 51494T—N° de série 314000001 et suivants

Manuel de l'utilisateur

Le modèle 51494T ne comprend pas de batterie ni de chargeur.



Pour tout conseil ou renseignement, contactez-nous à [www.Toro.com](http://www.Toro.com) ou appelez notre numéro vert 1-800-237-2654 (États-Unis) ou 1-800-248-3258 (Canada) avant de renvoyer ce produit.

## Mises en garde générales concernant la sécurité des outils électriques

### ATTENTION

#### CALIFORNIE Proposition 65 - Avertissement

Ce produit contient une ou des substances chimiques considérées par l'état de Californie comme capables de provoquer des cancers, des anomalies congénitales ou d'autres troubles de la reproduction.



**ATTENTION** Lisez toutes les mises en garde et consignes de sécurité. *Le non respect des avertissements et consignes peut entraîner des chocs électriques, un incendie et/ou des blessures graves.*

Conservez précieusement toutes les mises en garde et consignes de sécurité comme référence ultérieure.

Le terme « outil électrique » utilisé dans toutes les mises en garde ci-dessous renvoie à tout outil électrique branché sur le secteur (câblé) ou alimenté par batterie (sans fil).

#### 1. Sécurité sur la zone de travail

- La zone de travail doit être propre et bien éclairée. Les endroits sombres et encombrés sont propices aux accidents.
- N'utilisez jamais d'outils électriques dans des atmosphères explosives, en présence de liquides, gaz ou poussière inflammables par exemple. Les

*outils électriques produisent des étincelles qui peuvent enflammer la poussière ou les vapeurs/émanations.*

- Tenez enfants et spectateurs à distance pendant l'utilisation d'un outil électrique. Les distractions peuvent entraîner la perte de contrôle de l'outil.

#### 2. Sécurité électrique

- La fiche des outils électriques doit correspondre au type de prise. Ne modifiez jamais la fiche électrique. N'utilisez pas d'adaptateur avec les outils électriques reliés à la terre. Les fiches et prises correspondantes non modifiées réduisent le risque de choc électrique.
- Évitez tout contact du corps avec des surfaces reliées à la terre/masse, par exemple tuyaux, radiateurs, cuisinières et réfrigérateurs. Le risque de choc électrique augmente si vous êtes relié à la terre.
- Ne maltraitez pas le cordon d'alimentation. Ne vous servez jamais du cordon pour transporter, tirer ou débrancher l'outil électrique. Éloignez le cordon des surfaces chaudes, de la graisse, des arêtes vives ou des pièces mobiles. Les cordons endommagés ou emmêlés augmentent le risque de choc électrique.
- N'exposez pas les outils électriques à la pluie ou à l'humidité. Toute infiltration d'eau dans un outil électrique augmente le risque de choc électrique.
- Si l'utilisation d'un outil électrique dans un endroit humide ne peut être évitée, utilisez une alimentation protégée par un dispositif différentiel à courant résiduel (RCD) en Australie ou un disjoncteur de fuite à la terre (GFI) aux États-Unis. L'utilisation d'un dispositif RCD ou GFI réduit le risque de choc électrique.

#### 3. Sécurité personnelle

- Restez vigilant, regardez où vous allez et faites preuve de bon sens lorsque vous utilisez un outil électrique. N'utilisez jamais un outil électrique si vous êtes fatigué ou sous l'emprise de l'alcool, de drogues ou de médicaments. Un seul moment d'inattention pendant l'utilisation pourrait entraîner des dommages corporels graves.
- Utilisez des équipements de protection individuelle. Portez toujours une protection oculaire. Les équipements de protection comme les masques



*antipoussières, les chaussures de sécurité à semelle antidérapante, les casques et les protections antibruit utilisés de manière pertinente réduisent les dommages corporels.*

- C. **Évitez tout démarrage accidentel. Assurez-vous que l'interrupteur marche/arrêt est en position arrêt avant de connecter l'outil à une source d'alimentation et/ou à la batterie, de le prendre en main ou de le transporter.** *Des accidents peuvent se produire si vous transportez un outil électrique en gardant le doigt sur l'interrupteur d'alimentation ou si vous le mettez sous tension sans avoir placé l'interrupteur en position hors tension.*
  - D. **Retirez toute clé de réglage ou autre avant de mettre l'outil en marche.** *Une clé oubliée sur une pièce rotative de l'outil électrique pourrait vous blesser.*
  - E. **Ne travaillez pas trop loin devant vous. Gardez toujours les pieds bien posés à terre et faites en sorte de ne pas perdre l'équilibre.** *Vous pourrez ainsi garder le contrôle de l'outil en cas d'événement inattendu.*
  - F. **Portez des vêtements adéquats. Ne portez pas de vêtements amples ni de bijoux pendants. N'approchez pas les cheveux, les vêtements et les gants des pièces en mouvement.** *Les vêtements amples, les bijoux pendants ou les cheveux longs peuvent se prendre dans les pièces mobiles.*
4. **Utilisation et entretien des outils électriques**
- A. **Ne faites pas forcer l'outil électrique. Utilisez l'outil électrique correct pour la tâche à accomplir.** *Un outil électrique adapté donnera de meilleurs résultats et sera moins dangereux s'il est utilisé dans les limites prévues.*
  - B. **Ne vous servez pas de l'outil électrique si l'interrupteur marche/arrêt ne permet pas de le mettre en marche et de l'arrêter correctement.** *Un outil électrique qui ne peut pas être commandé par l'interrupteur marche/arrêt est dangereux et doit être réparé.*
  - C. **Débranchez la batterie de l'outil électrique avant d'effectuer des réglages, de changer d'accessoire ou de ranger l'outil électrique.** *Ces mesures de sécurité préventives réduisent le risque de démarrage accidentel de l'outil.*
  - D. **Rangez les outils électriques non utilisés hors de la portée des enfants et ne confiez leur utilisation qu'à des personnes connaissant leur maniement et ayant lu ces instructions.** *Les outils électriques sont dangereux s'ils sont mis entre les mains d'utilisateurs novices.*
  - E. **Maintenez les outils électriques en bon état de marche. Vérifiez si des pièces sont mal alignées, grippées, cassées ou présentent tout autre défaut susceptible d'affecter le bon fonctionnement de l'outil électrique. S'il est endommagé, faites réparer l'outil électrique avant de l'utiliser.** *De nombreux accidents sont causés par des outils électriques en mauvais état.*
  - F. **Gardez les outils de coupe propres et bien affûtés.** *Des outils de coupe entretenus correctement et bien affûtés sont moins susceptibles de coincer et sont plus faciles à contrôler.*
  - G. **Utilisez l'outil électrique, les accessoires, les outils rapportés, etc. en conformité avec ces instructions, en tenant compte des conditions de travail et de**

**la tâche à réaliser.** *L'utilisation de l'outil électrique pour des opérations autres que celles prévues peut engendrer une situation dangereuse.*

5. **Utilisation et entretien des outils à batterie**
- A. **Ne les rechargez qu'avec le chargeur spécifié par le fabricant.** *Un chargeur convenant à un type de batterie peut créer un risque d'incendie s'il est utilisé avec une autre batterie.*
  - B. **Utilisez les outils électriques uniquement avec les batteries spécifiquement prévues.** *L'utilisation d'autres batteries peut créer un risque de blessure et d'incendie.*
  - C. **Lorsque la batterie ne sert pas, rangez-la à distance d'objets métalliques tels que trombones, pièces de monnaie, clés, clous, vis ou autre petit objet métallique qui pourrait relier les bornes entre elles.** *Un court-circuit aux bornes de la batterie peut causer des brûlures ou un incendie.*
  - D. **Une utilisation abusive peut causer la projection de liquide hors de la batterie; évitez tout contact. En cas de contact accidentel, rincez à l'eau. En cas de contact du liquide avec les yeux, consultez en plus un médecin.** *Le liquide éjecté de la batterie peut causer des irritations ou des brûlures.*
  - E. **Le temps de charge sera plus long si la batterie est chargée à des températures non comprises entre 0 et 40 °C (32 et 104 °F).**

#### 6. Entretien

**Confiez l'entretien de votre outil électrique à un réparateur qualifié utilisant exclusivement des pièces de rechange identiques.** *La sécurité de votre outil électrique sera ainsi maintenue.*

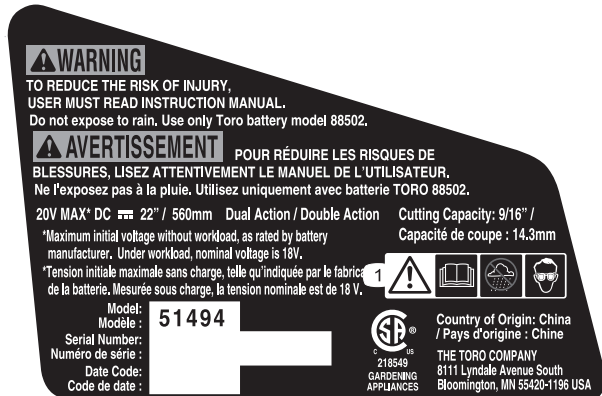
#### Avertissements de sécurité

- **Servez-vous de vos deux mains pour utiliser le taille-haie.** **Si vous utilisez l'appareil d'une seule main, vous risquez d'en perdre le contrôle et de vous blesser gravement.**
- **N'approchez aucune partie du corps de la lame. Ne retirez pas le matériau coupé et ne tenez pas le matériau à couper pendant le fonctionnement des lames. Vérifiez toujours que le commutateur est en position hors tension avant d'enlever les obstructions. Les lames continuent de fonctionner quelques instants après l'arrêt de l'outil.** *Un seul moment d'inattention pendant l'utilisation du taille-haie pourrait entraîner des dommages corporels graves.*
- **Portez toujours le taille-haie par la poignée après avoir attendu l'arrêt de la lame.** *Les risques de dommages corporels infligés par les lames seront réduits si le taille-haie est manipulé correctement.*
- **Tenez l'outil uniquement par les surfaces de maintien isolées, car la lame peut toucher des câbles masqués ou son propre cordon d'alimentation.** *Si les lames entrent en contact avec un câble « sous tension », les pièces métalliques exposées peuvent également être mises « sous tension » et causer un choc électrique pour l'utilisateur.*
- **DANGER – N'approchez pas les mains de la lame.** *Tout contact avec la lame causera de graves blessures.*

# Autocollants de sécurité et d'instruction

Des autocollants de sécurité et des instructions bien visibles sont placés près de tous les endroits potentiellement dangereux. Remplacez tout autocollant endommagé ou manquant.

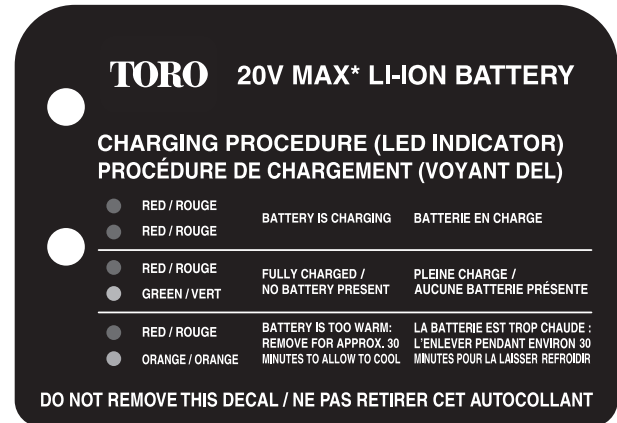
Symbole	Nom	Désignation/Explication
CC	Courant continu	Type de courant
A	Ampères	Courant
Hz	Hertz	Fréquence (cycles par seconde)
CPM	Courses par minute	Vitesse de la lame
V	Volts	Tension



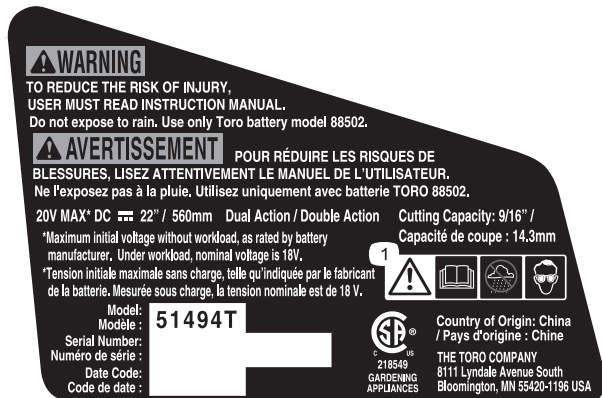
125-3277

Modèle 51494

1. Attention – lisez le *Manuel de l'utilisateur*, n'utilisez pas la machine à l'humidité; portez une protection oculaire.



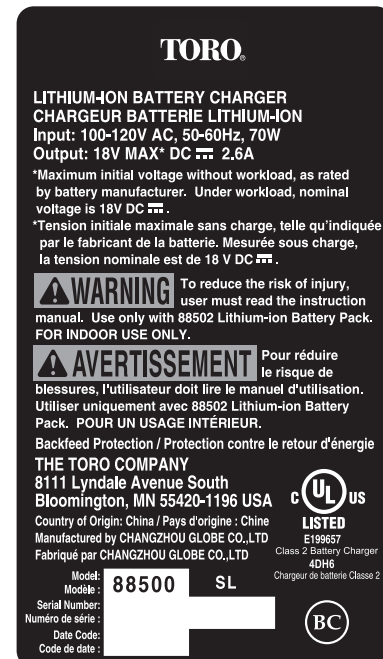
121-7691



121-7659

Modèle 51494T

1. Attention – lisez le *Manuel de l'utilisateur*, n'utilisez pas la machine à l'humidité; portez une protection oculaire.



125-3279



125-3295

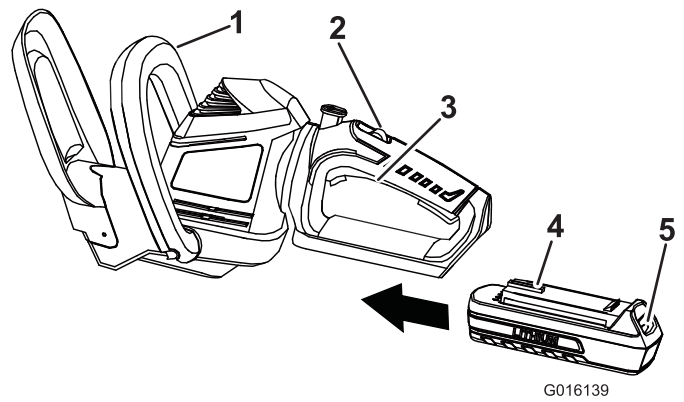


Figure 2

1. Poignée auxiliaire
2. Commutateur de verrouillage
3. Poignée d'actionnement
4. Languette
5. Verrou

3. Saisissez la poignée d'actionnement (Figure 2).
4. Poussez la batterie dans la poignée jusqu'à ce que le verrou s'enclenche en position.

**Important: La batterie n'est pas complètement chargée lors de l'achat de l'outil. Avant d'utiliser le taille-haie pour la première fois, placez la batterie dans le chargeur et chargez-la jusqu'à ce que les diodes deviennent vertes. Lisez attentivement toutes les consignes de sécurité. Plus l'outil est utilisé régulièrement, plus la durée de la charge sera réduite. Retirez la batterie si vous rangez l'outil pendant une période prolongée. Avant de réutiliser l'outil, rechargez la batterie jusqu'à ce que les diodes deviennent vertes.**

5. Placez une main sur la poignée d'actionnement. Placez l'autre main sur la poignée auxiliaire (Figure 2).
6. Poussez le commutateur de verrouillage en arrière, vers vous, et serrez la poignée d'actionnement pour mettre le taille-haie en marche (Figure 2). Le taille-haie fonctionne tant que vous serrez la poignée d'actionnement. Vous pouvez relâcher le commutateur de verrouillage lorsque le taille-haie a démarré (Figure 2).

## Utilisation

**Important: La batterie n'est pas complètement chargée lors de l'achat de l'outil. Avant d'utiliser le taille-haie pour la première fois, placez la batterie dans le chargeur et chargez-la jusqu'à ce que les diodes deviennent vertes. Lisez attentivement toutes les consignes de sécurité. Plus l'outil est utilisé régulièrement, plus la durée de la charge sera réduite. Retirez la batterie si vous rangez l'outil pendant une période prolongée. Avant de réutiliser l'outil, rechargez la batterie jusqu'à ce que les diodes deviennent vertes.**

## Démarrage du taille-haie

1. Enlevez le couvercle de protection qui recouvre les lames (Figure 1).

### ATTENTION

Les lames du taille-haie peuvent causer des coupures ou des mutilations.

Manipulez toujours le taille-haie avec prudence quand le couvercle de protection est retiré.

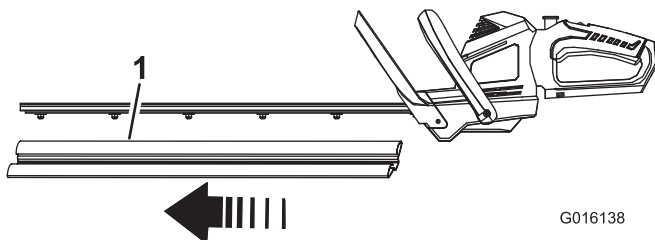
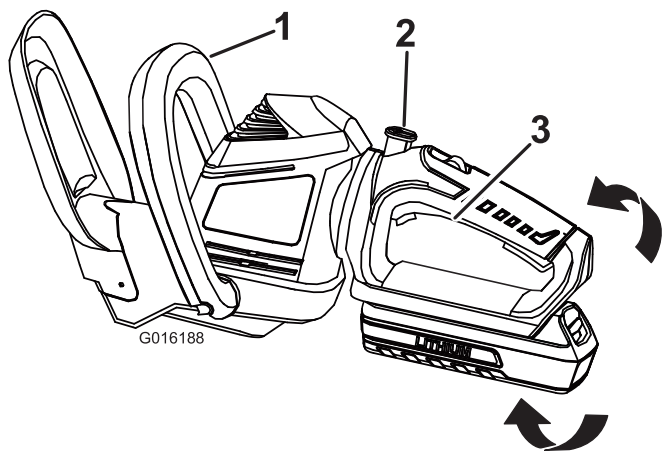


Figure 1

1. Couvercle de protection
2. Alignez la languette de la batterie sur le creux dans le corps de la poignée (Figure 2).

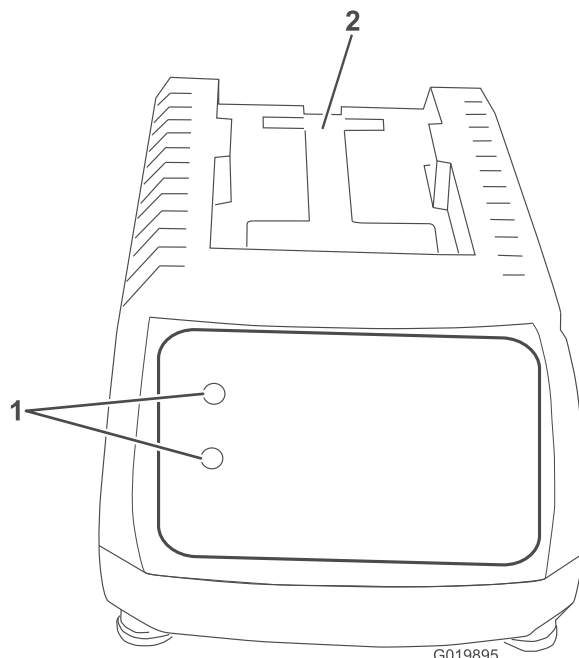




**Figure 3**

1. Poignée auxiliaire
2. Bouton de verrouillage de la rotation
3. Guidon

2. Tournez la poignée vers la droite ou la gauche selon le sens de coupe recherché, puis relâchez le bouton de verrouillage de la rotation pour bloquer la poignée à la position voulue.



**Figure 4**

1. Diodes
2. Insérez la batterie ici

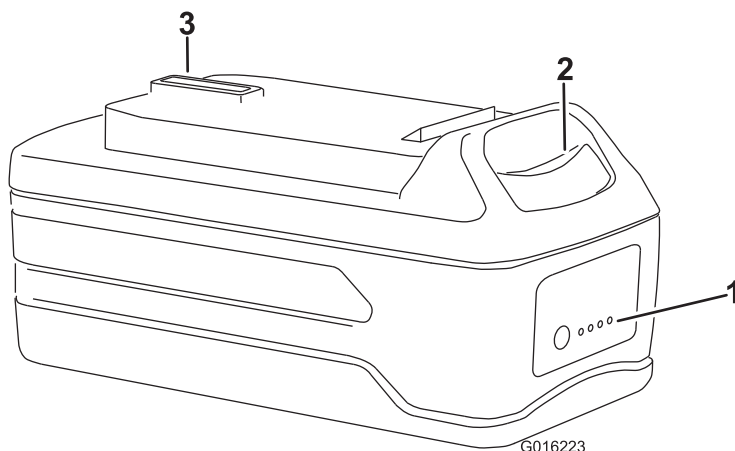
## Arrêt du taille-haie

1. Relâchez la poignée d'actionnement (Figure 2).
2. Patientez au moins 5 secondes jusqu'à l'arrêt complet de la lame.

## Charge de la batterie

**Important:** Pour obtenir des résultats optimaux, rechargez la batterie dans un endroit où la température est supérieure à 0 °C (32 °F) mais inférieure à 40 °C (104 °F). Pour réduire les risques de blessures graves, ne le rangez pas à l'extérieur ou dans un véhicule. Le temps de charge sera plus long si les températures sont hors de la plage spécifiée.

1. Retournez la batterie et placez la borne en face de la fente du chargeur (Figure 4 et Figure 5).



**Figure 5**

1. Diodes (niveau de charge)
2. Bouton de déblocage
3. Borne de batterie

2. Glissez la batterie dans le chargeur jusqu'à ce qu'elle s'enclenche en place.
3. Pour retirer la batterie, appuyez sur le bouton de déblocage et tirez la batterie en arrière hors du chargeur.
4. Reportez-vous au tableau ci-dessous pour interpréter les indications des diodes sur le chargeur de batterie.

COULEUR DE DIODE		
Supérieure	Inférieure	Indique :
Rouge	Rouge	Batterie en charge

Rouge	Verte	Charge complète
Rouge	Orange	La batterie est trop chaude : Retirez-la du chargeur pendant environ 30 minutes

**Remarque:** N'utilisez pas de détergents trop puissants sur le corps en plastique ou la poignée. Ils pourraient être endommagés par certaines huiles aromatiques, telles le pin et le citron, et par des solvants comme le kérosène.

3. Posez le taille-haie sur une surface plane. Appliquez de l'huile pour machine légère sur le bord de la lame supérieure. Si vous prévoyez d'utiliser le taille-haie pendant une période prolongée, il est conseillé d'huiler la lame en cours d'utilisation.

**Remarque:** N'huilez jamais le taille-haie pendant qu'il est en marche.

## Conseils d'utilisation

- L'appareil permet de couper dans un sens ou dans l'autre en exécutant un mouvement de va-et-vient transversal.
- Tenez-vous bien en appui sur les deux pieds de manière à ne pas perdre l'équilibre. Ne travaillez pas trop loin devant vous.
- Recherchez et éliminez de la zone de travail tous les objets cachés.
- N'utilisez jamais le taille-haie près de lignes électriques, clôtures, poteaux, bâtiments ou autres objets ne pouvant être déplacés.
- Si la lame heurte un objet dur, vérifiez toujours son état avant de vous en servir à nouveau. Ne l'utilisez pas si elle est endommagée.
- Ne touchez jamais les lames et ne faites jamais l'entretien de l'appareil s'il est encore relié à l'alimentation.
- Ne forcez pas le taille-haie dans des buissons épais. Les lames pourraient se coincer et peiner. Si les lames peinent, ralentissez le rythme de coupe.
- N'essayez pas de couper des branchages de plus de 14 mm (9/16 po) de diamètre ou qui sont manifestement trop gros pour être coupés par la lame du taille-haie. Utilisez une scie à main non électrique ou une scie à élaguer pour couper les plus gros branchages.
- Si les lames se coincent, arrêtez le moteur, attendez que les lames s'arrêtent et enlevez la batterie haie avant d'essayer de remédier à l'obstruction.
- Vous pouvez utiliser un cordeau pour vous aider à tailler la haie bien droite. Décidez à quelle hauteur vous souhaitez couper la haie. Tendez un cordeau le long de la haie à la hauteur voulue. Taillez la haie juste au-dessus du cordeau.
- Taillez les côtés de la haie de sorte que le haut soit légèrement moins large que le bas. Une plus grande partie de la haie sera ainsi exposée et l'aspect sera plus uniforme.
- Portez des gants pour tailler les buissons épineux ou piquants. Lorsque vous taillez de nouvelles pousses, utilisez un mouvement transversal plus ample pour qu'elles passent directement dans la lame.

## Entretien

### Graissage de la lame du taille-haie

**Remarque:** La lame du taille-haie doit être huilée avant et après chaque utilisation.

1. Arrêtez le moteur et retirez la batterie.
2. Débarrassez le corps du taille-haie des saletés et débris éventuellement présents avec un chiffon humide et un détergent doux.

## Préparation de la batterie pour le recyclage

### ⚠ ATTENTION

**Avant de recycler la batterie, recouvrez les bornes de ruban adhésif épais. N'essayez pas de détruire ou de démonter la batterie ni de déposer aucun de ses composants. Les batteries ion-lithium doivent être recyclées ou mises au rebut selon la réglementation en vigueur dans le centre de recyclage le plus proche**

## Entretien

Lorsqu'un entretien est requis, confiez l'appareil à un réparateur Toro agréé. Celui-ci possède les compétences nécessaires pour réparer les produits Toro et il saura maintenir l'intégrité de votre appareil Toro.

## Remisage

- Débarrassez l'appareil de tout corps étranger.
- Rangez-le dans un endroit bien aéré et hors de la portée des enfants.
- Gardez-le éloigné des agents corrosifs comme les produits chimiques de jardin et les sels de dégivrage.

## Dépistage des défauts

L'utilisation de la batterie lorsque celle-ci est chaude peut réduire la durée de service. La batterie cesse automatiquement de fonctionner en cas de surchauffe pour prévenir tout dommage. Retirez la batterie du chargeur et attendez qu'elle refroidisse avant de la remettre en place dans la débroussailleuse.

L'utilisation de la batterie si les câbles sont humides peut causer un mauvais fonctionnement de la débroussailleuse. Laissez sécher la batterie ou essuyez-la soigneusement avant de la remettre dans la débroussailleuse.



**Remarques:**

La promesse de Toro – Produits électriques

Une garantie intégrale de deux ans pour usage domestique valable aux États-Unis et au Canada.

The Toro Company et sa filiale, Toro Warranty Company, en vertu d'un accord mutuel, s'engagent conjointement à réparer le produit utilisé à des fins résidentielles normales s'il présente un défaut de fabrication, pendant une période de deux ans à dater de l'achat.\*

Si vous pensez que votre produit Toro présente un vice de matériau ou de fabrication, si vous avez besoins de conseils ou de renseignements, et avant de renvoyer ce produit, appelez gratuitement le numéro suivant :

**Débroussailleuses :**

1-800-237-2654 (États-Unis)1-800-248-3258  
(Canada)

**Souffleurs :**

1-888-367-6631 (États-Unis)1-888-430-1687  
(Canada)1-800-574-3312 (Mexique)

**Souffleuses à neige :**

1-800-808-2963 (États-Unis)1-800-808-3072  
(Canada)

Pour recevoir un appareil de rechange ou réparé, suivant notre choix, renvoyez l'appareil au complet au vendeur. Aux États-Unis et au Canada, le produit peut être renvoyé, accompagné d'une preuve d'achat, à n'importe quel dépositaire-réparateur agréé. Les clients américains peuvent aussi renvoyer leur produit, accompagné d'une preuve d'achat, port payé, à : Toro Service Center, 5500 SE Delaware, Ankeny, IA 50021.

Cette garantie couvre les défauts de produit uniquement. **The Toro Company et Toro Warranty Company déclinent toute responsabilité en cas de dommages secondaires ou indirects liés à l'utilisation des produits Toro couverts par cette garantie, notamment quant aux coûts et dépenses encourus pour se procurer un équipement ou un service de substitution durant une période raisonnable pour cause de défaillance ou d'indisponibilité en attendant la réparation sous garantie. L'exclusion de la garantie des dommages secondaires ou indirects n'est pas autorisée dans certains états ou pays, et peut donc ne pas s'appliquer dans votre cas.** Cette garantie vous accorde des droits spécifiques, auxquels peuvent s'ajouter d'autres droits qui varient selon les états.

Autres pays que les États-Unis et le Canada

Pour les produits Toro exportés des États-Unis ou du Canada, demandez à votre distributeur (dépositaire) Toro la police de garantie applicable dans votre pays, région ou état. Si, pour une raison quelconque, vous n'êtes pas satisfait des services de votre distributeur, ou si vous avez du mal à vous procurer les informations de garantie, adressez-vous à l'importateur Toro. En dernier recours, adressez-vous à Toro Warranty Company.

Droits des consommateurs australiens

Les clients australiens trouveront les détails relatifs aux droits des consommateurs australiens à l'intérieur du carton ou après de leur dépositaire Toro local.

\* L'usage résidentiel normal désigne l'utilisation du produit sur le terrain où se trouve votre domicile.

Réf. 374-0262 Rév. D