



**Count on it.**

**Parts Catalog**

**11-Blade Cutting Unit**

**Greensmaster® Flex™ 21 Traction Unit**

**Model No. 04202—Serial No. 311000001 and Up**



# Ordering Replacement Parts

To order replacement parts, please supply the part number, the quantity, and the description of each part desired.

## Understanding Reference Numbers

Each identified part in an illustration has a reference number. The reference number for a part also appears in the parts list, along with other information about the part.

This catalog uses two special reference number formats, one to indicate parts in a service assembly and another to indicate the quantity of a given part in an illustration.

## Service Assembly Reference Numbers

Parts in service assemblies have reference numbers in the form a:b. The a represents the reference number of the entire service assembly and the b represents a sequential number unique to each part within the service assembly.

For example, a wheel assembly might be identified by reference number 6, the tire by 6:1, the valve by 6:2, and the wheel by 6:3. When you order the assembly identified by reference number 6, you receive all parts identified by reference numbers 6:1, 6:2, and 6:3. However, you may also order any part individually. Reference numbers of this type appear in illustration and in parts lists.

## Reference Numbers Indicating Quantity

In an illustration, if a reference number indicates more than one part, the reference number has the form nX y. The n represents the quantity of the part, the X is the multiplication symbol, and the y represents the reference number.

For example, in an illustration, the reference number 2X 37 means that two of the parts identified by reference number 37 are indicated.

# List of Abbreviations

**AR:** as required

**ASM:** assembly

**BBC:** blade brake control

**BHTF:** button head thread forming

**CARR:** carriage

**CCW:** counter clockwise

**CW:** clockwise

**DEG:** degrees

**DPA:** Dual Point Adjustment

**ECM:** electronic control module

**EXT:** external

**FH:** flat head

**GA:** gauge

**HD:** heavy-duty

**HF:** hex flange

**HH:** hex head

**HHF:** hex head flange

**HHFTF:** hex head flange thread forming

**HJ:** hex jam

**HLH:** hex lag head

**HOC:** height-of-cut

**HSBH:** hex socket button head

**HSFH:** hex socket flat head

**HSH:** hex socket head

**HWH:** hex washer head

**HWHTF:** hex washer head thread forming

**HYD:** hydraulic

**LH:** left hand

**LP:** Liquefied Petroleum Gas

**LPG:** Liquefied Petroleum Gas

**NI:** nylon insert

**NPTF:** national pipe thread fine

**PFH:** phillips flat head

**PPH:** phillips pan head

**PPHTF:** phillips pan head thread forming

**PRH:** phillips round head

**PTH:** phillips truss head

**PTO:** power-take-off

**RH:** right hand

**ROPS:** roll-over protection system

**RRB:** rear roller brush

**SFH:** slotted fillister head

**SHH:** slotted hex head

**SHWH:** slotted hex washer head

**SPH:** slotted pan head

**SQH:** square head

**SRH:** slotted round head

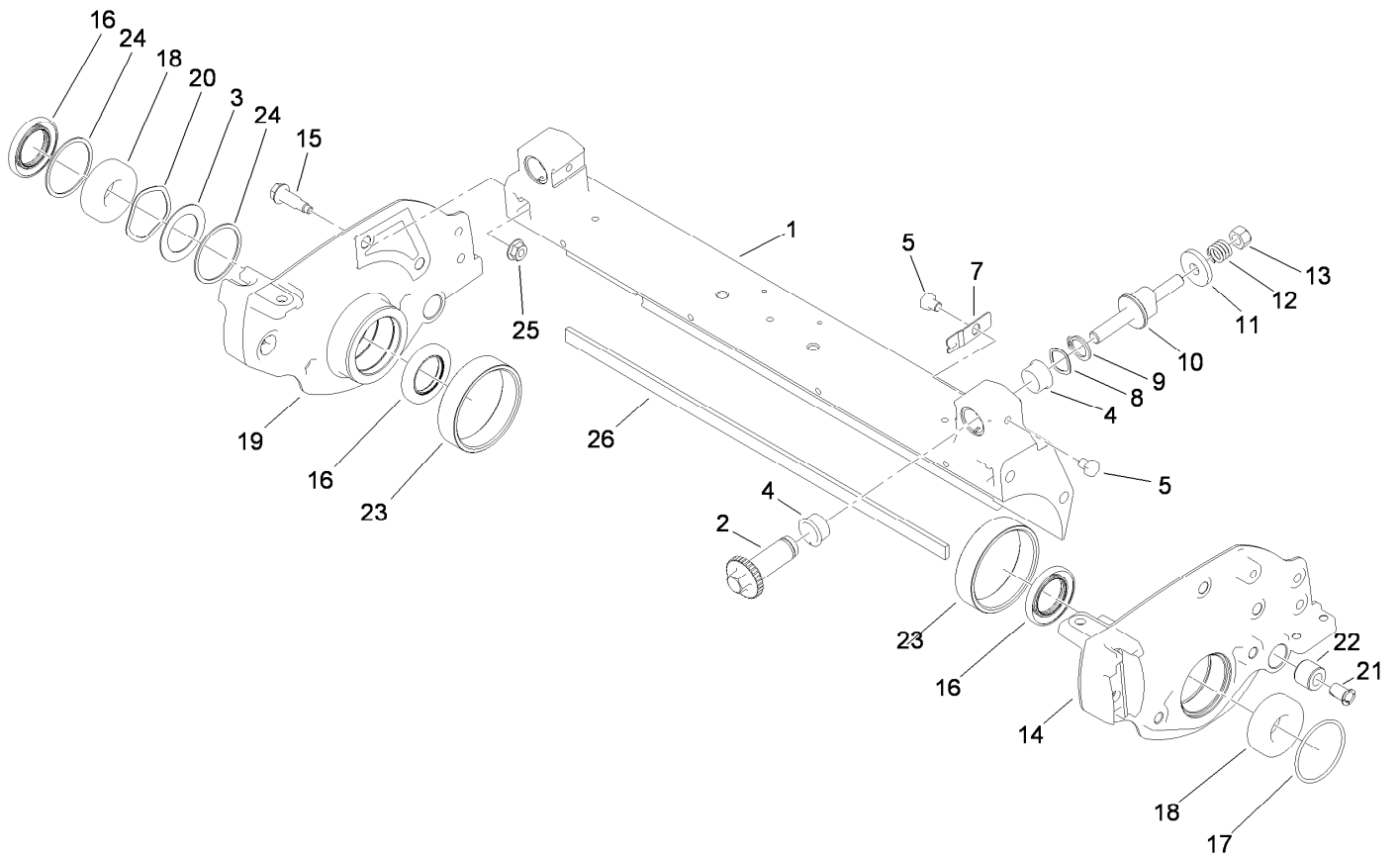
**STD:** standard

**TAP:** self tapping

**TTH:** torx truss head

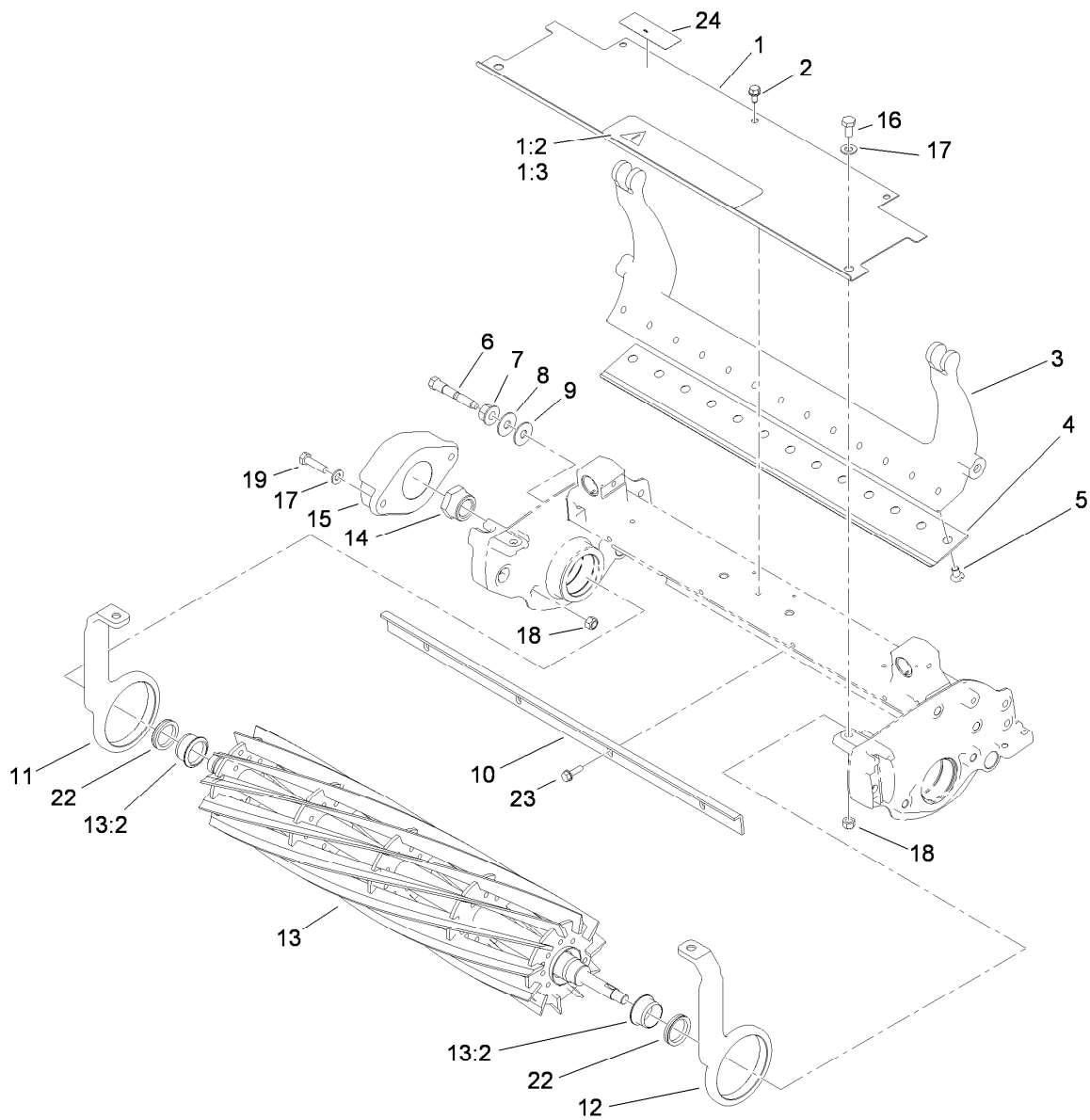
# Contents

Right and Left Side Plate Assembly .....	4
Reel Assembly .....	5
Roller Assembly .....	6
Reel Drive Assembly .....	7
Attachments and Accessories .....	8



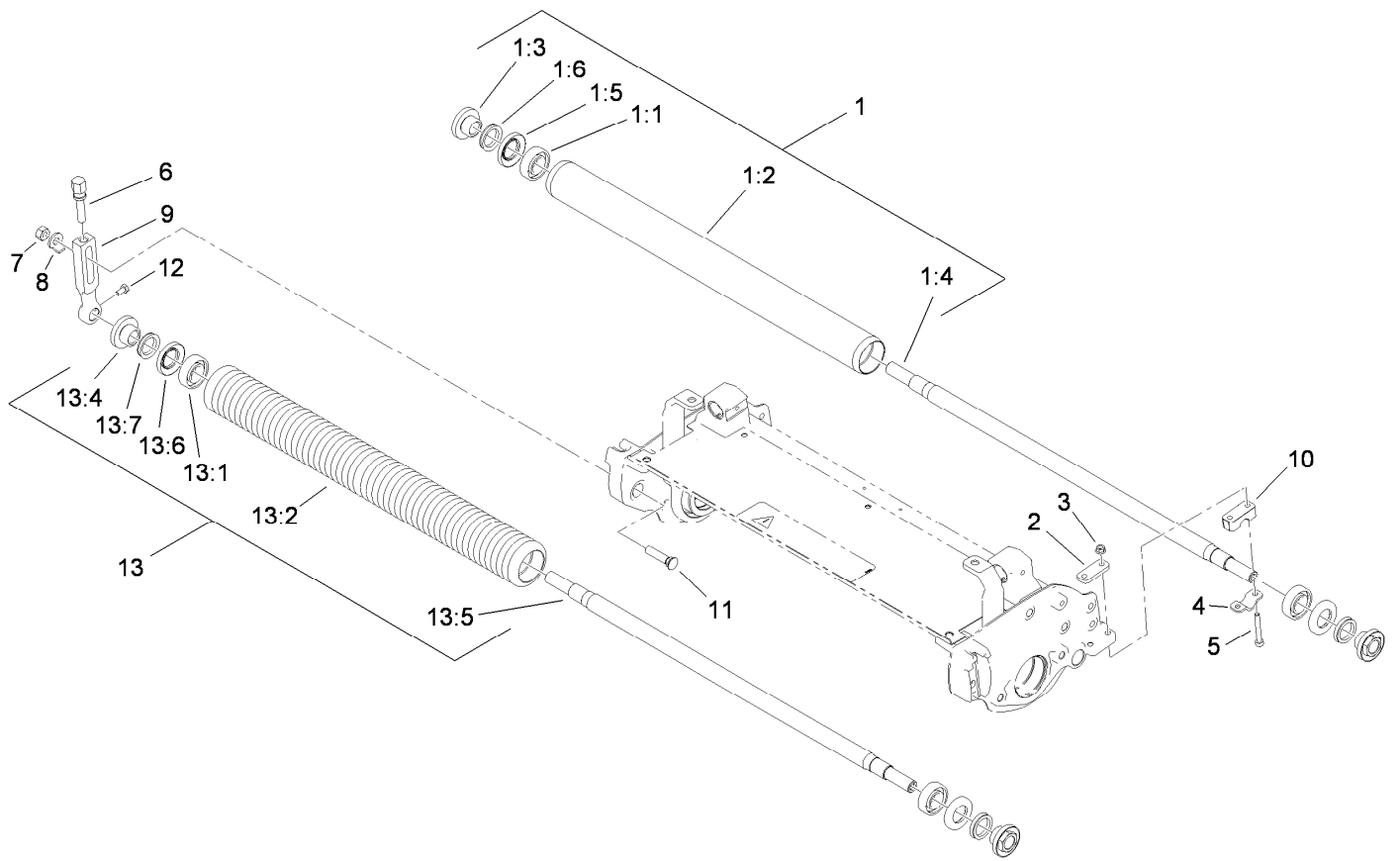
## Right and Left Side Plate Assembly

<i>Ref.</i>	<i>Part Number</i>	<i>Qty.</i>	<i>Description</i>	<i>Ref.</i>	<i>Part Number</i>	<i>Qty.</i>	<i>Description</i>
1	119-9303	1	Crossmember	15	105-5774	4	Bolt-Shoulder
2	106-5363	2	Shaft-Adjuster	16	107-3233	4	Seal-Oil
3	105-9943	1	Washer-Thrust	17	107-3244	1	O-Ring
4	106-5344	4	Bushing-Flange, Keyed	18	251-342	2	Bearing-Ball
5	119-4067	4	Screw-HH	19	106-8428	1	Plate-Side, RH
7	99-2097	2	Detent	20	3290-485	1	Washer-Wave
8	106-5335	2	Washer-Wave	21	52-2890	2	Bushing-Nylon
9	32120-93	2	Ring-Retaining	22	63-9510	2	Bushing
10	99-2096	2	Screw-Adjuster, Bedbar	23	106-4659	2	Bushing-Pitch
11	99-2098	2	Washer	24	32151-92	2	Ring-Retaining
12	99-3755	2	Spring-Compression	25	98-0668	4	Nut
13	33025-00	2	Nut-Lock, NI	26	106-2619	1	Strip-Seal
14	106-8429	1	Plate-Side, LH				



## Reel Assembly

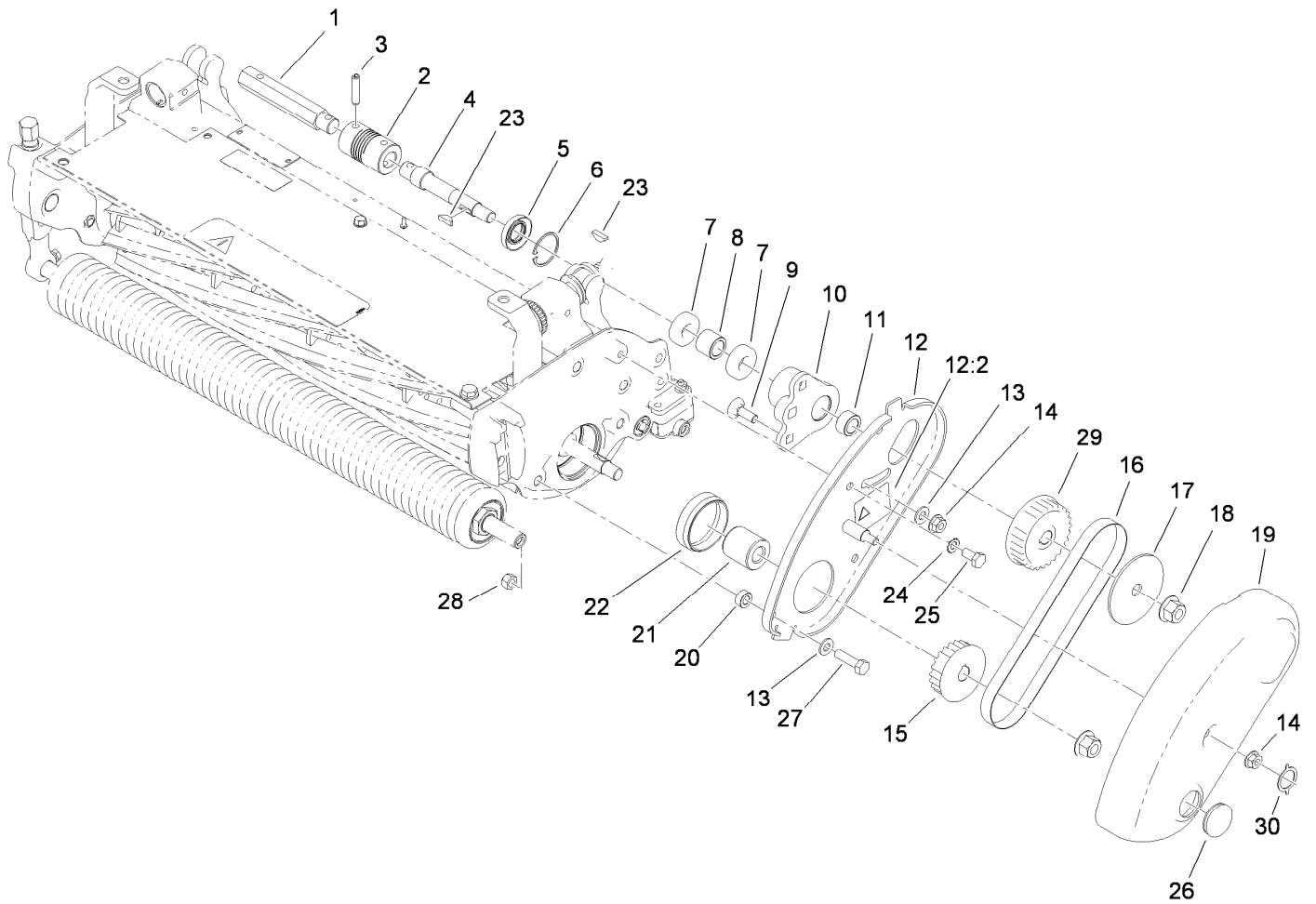
Ref.	Part Number	Qty.	Description	Ref.	Part Number	Qty.	Description
1	120-2660	1	Grass Shield ASM	12	107-7602-01	1	Arm-Pitch, LH
1:2	93-8064	1	Decal-Danger, Ce	13	107-7635	1	11 Blade Reel ASM
1:3	84-6560	1	Decal-Warning (Japan)	13:2	108-3150	2	Sleeve ASM
2	104-2628	3	Screw-HWH	14	107-3227	1	Nut-Bearing, Lock
3	106-2648-01	1	Bedbar	15	106-8432-03	1	Weight-Reel
4	93-4262	1	Bedknife-Microcut	16	33114-016	2	Screw-HH
5	57-4910	13	Screw-Special	17	3256-23	4	Washer-Flat
6	117-9493	2	Bolt-Bedbar	18	33024-00	4	Nut-Lock, NI
7	3296-28	2	Nut-Lock, NI	19	33114-030	2	Screw-HH
8	52-2860	4	Washer	22	107-3238	2	V-Ring
9	52-2900	4	Washer-Plastic	23	110-3986	4	Screw
10	106-6924-03	1	Bar-Cutoff	24	115-1077	1	Decal-Regulatory
11	107-3226-01	1	Arm-Pitch, RH				



## Roller Assembly

<i>Ref.</i>	<i>Part Number</i>	<i>Qty.</i>	<i>Description</i>	<i>Ref.</i>	<i>Part Number</i>	<i>Qty.</i>	<i>Description</i>
1	107-9036	1	Rear Roller ASM	8	104-2603	2	Washer-HOC
1:1	251-347	2	Bearing-Ball	9	110-7351	2	Arm-HOC
1:2	99-3841	1	Roller-Full, Aluminum ●	10	105-5710	2	Spacer-Roller
1:3	108-3151	2	Nut-Lock, Bearing	11	105-5342	2	Bolt-Plow
1:4	106-6940	1	Shaft-Roller	12	33113-012	2	Screw-HH
1:5	106-6941	2	Seal	13	107-9037	1	Wiehle Roller ASM
1:6	106-6942	2	V-Ring	13:1	251-347	2	Bearing-Ball
2	105-5711	2	Shim-Roller	13:2	104-0540	1	Roller-Wiehle ●
3	33003-00	4	Nut-HF	13:4	108-3151	2	Nut-Lock, Bearing
4	105-5712	2	Retainer-Shaft	13:5	106-6940	1	Shaft-Roller
5	106-2603	4	Screw-HSH	13:6	106-6941	2	Seal
6	110-7352	2	Screw-HOC	13:7	106-6942	2	V-Ring
7	106-4668	2	Nut-Lock				

● Roller Rebuild Kit 107-1594 available for this roller.



## Reel Drive Assembly

<i>Ref.</i>	<i>Part Number</i>	<i>Qty.</i>	<i>Description</i>	<i>Ref.</i>	<i>Part Number</i>	<i>Qty.</i>	<i>Description</i>
1	110-2389	1	Shaft-Hex	15	107-9044	1	Pulley-22 Tooth
2	99-3757	1	Coupling-Flex	16	99-2022	1	Belt
3	32121-69	2	Pin-Spring	17	110-2391	1	Washer
4	110-2382	1	Shaft-Drive, Reel	18	115-1115	2	Nut-Lock, HHF
5	107-3205	1	Seal-Oil	19	110-2348	1	Cover-Reel
6	32151-51	1	Ring-Retaining	20	107-3237	2	Spacer
7	251-336	2	Bearing-Ball	21	107-3228	1	Spacer-Seal
8	99-2079	1	Spacer	22	99-2087	1	Spacer
9	33124-025	2	Screw-CARR	23	3257-30	2	Key-Woodruff
10	99-2083	1	Housing-Bearing	24	3255-8	1	Washer-Lock
11	110-2381	1	Spacer	25	33114-016	1	Screw-HH
12	110-2299	1	Drive Plate ASM	26	110-2324	1	Grommet
12:2	93-9389	1	Decal-Warning, Belt (Japan)	27	33114-030	2	Screw-HH
12:2	93-9356	1	Decal-Warning, Belt	28	33024-00	2	Nut-Lock, NI
13	3256-23	4	Washer-Flat	29	110-2386	1	Pulley-27 Tooth
14	117-1350	3	Nut-HF, Lock	30	119-4140	1	Tab-Retainer

# Attachments and Accessories

## For 04202 11-Blade Cutting Unit Greensmaster Flex 21 Traction Unit

<b>Product Name</b>	<b>Model/Part</b>
Groomer Drive System .....	04224
21 inch Carbide Grooming Reel.....	04227
21 inch Grooming Brush .....	04228
High Height-of-Cut Arms (Qty 1).....	120-9600
Full Roller ASM.....	106-6945
Roller Seal Replacement (Qty 1) .....	107-1594
8 Blade Reel ASM .....	107-7634
Wide Wiehle Roller Kit .....	107-9038
Full Roller Kit .....	107-9039
Reel Seal Rebuild Kit.....	108-3160
Bedknife-Microcut, Extended.....	108-4303
Roller Extension Kit .....	108-4333
Front Scraper Kit for Narrow Wiehle Roller .....	108-6468
Front Scraper Kit for Wide Wiehle Roller.....	110-3961
Front Scraper Kit for Full Roller.....	110-3962
Front Brush Kit for Narrow Wiehle Roller .....	110-3963
Front Brush Kit for Wide Wiehle Roller.....	110-3964
Front Brush Kit for Full Roller .....	110-3965
Front Comb Kit for Narrow Wiehle Roller .....	110-3966
Front Comb Kit for Wide Wiehle Roller.....	110-3967
Front Comb Kit for Full Roller.....	110-3968
Rear Roller Scraper Kit with Roller.....	112-9352
Bedknife-Tournament Cut.....	93-4263
Bedknife-Low Cut .....	93-4264
Wiehle Roller ASM (2.5in Dia) .....	93-9045
Height-of-Cut Bar.....	94-9010
Bedbar-Aggressive .....	99-3794-03
14 Blade Reel ASM .....	115-4289
Basket Stiffner Kit .....	115-1749
Bedknife-Edgemax, Microcut.....	115-1880
Bedknife-Edgemax, Tournament Cut.....	115-1881
Bedknife-Tournament, Extended .....	108-4302
Rear Roller Adjustment Kit.....	114-4630

**Notes:**

**Notes:**

**Notes:**



**Count on it.**