



Transmission Pulley Kit

TimeMaster Lawn Mower

Model No. 130-2370

Installation Instructions

⚠ WARNING

CALIFORNIA Proposition 65 Warning

This product contains a chemical or chemicals known to the State of California to cause cancer, birth defects, or reproductive harm.

1. Remove the transmission from the machine.

Important: If you install the pulley on the transmission while the transmission is on the machine, you may cause internal damage to the transmission.

2. Remove the damaged pulley from the transmission, and discard the damaged pulley.
3. Use a rubber mallet to install the new pulley onto the transmission, and ensure that the hole in the pulley exactly aligns with the hole in the input shaft.
4. Use a hammer and a punch to install the new pin into one of the 2 hole ends (Figure 1).

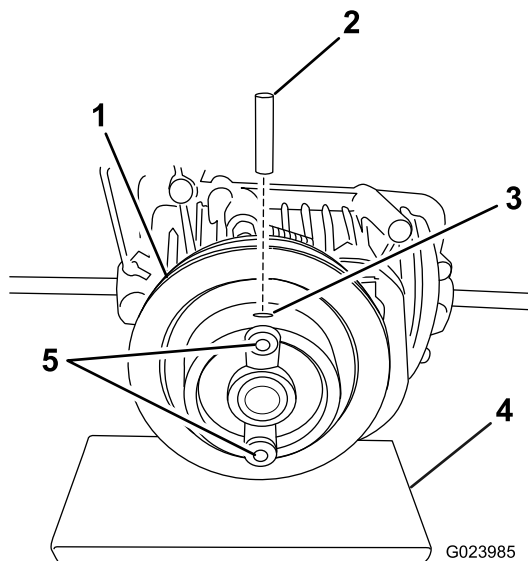


Figure 1

- | | |
|-----------------|-----------------------------|
| 1. Pulley | 4. Support |
| 2. Pin | 5. Install the screws here. |
| 3. Hole end (2) | |

Note: Support the pulley as you insert the pin to prevent putting excessive stress on the input shaft (Figure 1).

Note: Center the pin inside the pulley so that the distance from each end of the pin to each hole end is 7.6 mm (0.30 inch) as shown in Figure 2.

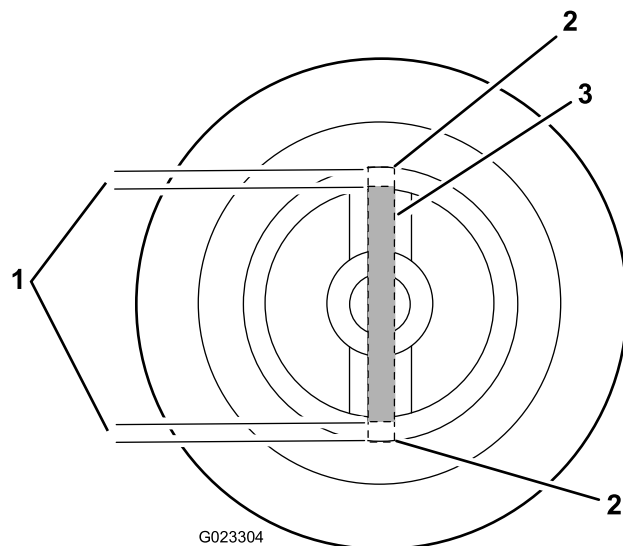


Figure 2

Top view of the pulley

- | | |
|-----------------------|----------------------------|
| 1. 7.6 mm (0.30 inch) | 3. Pin (inside the pulley) |
| 2. Hole end | |

5. Install the 2 screws from the kit into the 2 holes as shown in Figure 1.

Note: Torque the screws to 1.3 N-m (11.5 in-lb).

6. Install the transmission onto the machine.

