



**Count on it.**

**Parts Catalog**

**TITAN® MX5480 Zero-Turn-Radius  
Riding Mower**

Model No. 74872—Serial No. 313000001 and Up



# Ordering Replacement Parts

To order replacement parts, please supply the part number, the quantity, and the description of each part desired.

## Understanding Reference Numbers

Each identified part in an illustration has a reference number. The reference number for a part also appears in the parts list, along with other information about the part.

This catalog uses two special reference number formats, one to indicate parts in a service assembly and another to indicate the quantity of a given part in an illustration.

## Service Assembly Reference Numbers

Parts in service assemblies have reference numbers in the form a:b. The a represents the reference number of the entire service assembly and the b represents a sequential number unique to each part within the service assembly.

For example, a wheel assembly might be identified by reference number 6, the tire by 6:1, the valve by 6:2, and the wheel by 6:3. When you order the assembly identified by reference number 6, you receive all parts identified by reference numbers 6:1, 6:2, and 6:3. However, you may also order any part individually. Reference numbers of this type appear in illustration and in parts lists.

## Reference Numbers Indicating Quantity

In an illustration, if a reference number indicates more than one part, the reference number has the form nX y. The n represents the quantity of the part, the X is the multiplication symbol, and the y represents the reference number.

For example, in an illustration, the reference number 2X 37 means that two of the parts identified by reference number 37 are indicated.

# List of Abbreviations

**AR:** as required

**ASM:** assembly

**BBC:** blade brake control

**BHTF:** button head thread forming

**CARR:** carriage

**CCW:** counter clockwise

**CW:** clockwise

**DEG:** degrees

**DPA:** Dual Point Adjustment

**ECM:** electronic control module

**EXT:** external

**FH:** flat head

**GA:** gauge

**HD:** heavy-duty

**HF:** hex flange

**HH:** hex head

**HHF:** hex head flange

**HHFTF:** hex head flange thread forming

**HJ:** hex jam

**HLH:** hex lag head

**HOC:** height-of-cut

**HSBH:** hex socket button head

**HSFH:** hex socket flat head

**HSH:** hex socket head

**HWH:** hex washer head

**HWHTF:** hex washer head thread forming

**HYD:** hydraulic

**LH:** left hand

**LP:** Liquefied Petroleum Gas

**LPG:** Liquefied Petroleum Gas

**NI:** nylon insert

**NPTF:** national pipe thread fine

**PFH:** phillips flat head

**PPH:** phillips pan head

**PPHTF:** phillips pan head thread forming

**PRH:** phillips round head

**PTH:** phillips truss head

**PTO:** power-take-off

**RH:** right hand

**ROPS:** roll-over protection system

**RRB:** rear roller brush

**SFH:** slotted fillister head

**SHH:** slotted hex head

**SHWH:** slotted hex washer head

**SPH:** slotted pan head

**SQH:** square head

**SRH:** slotted round head

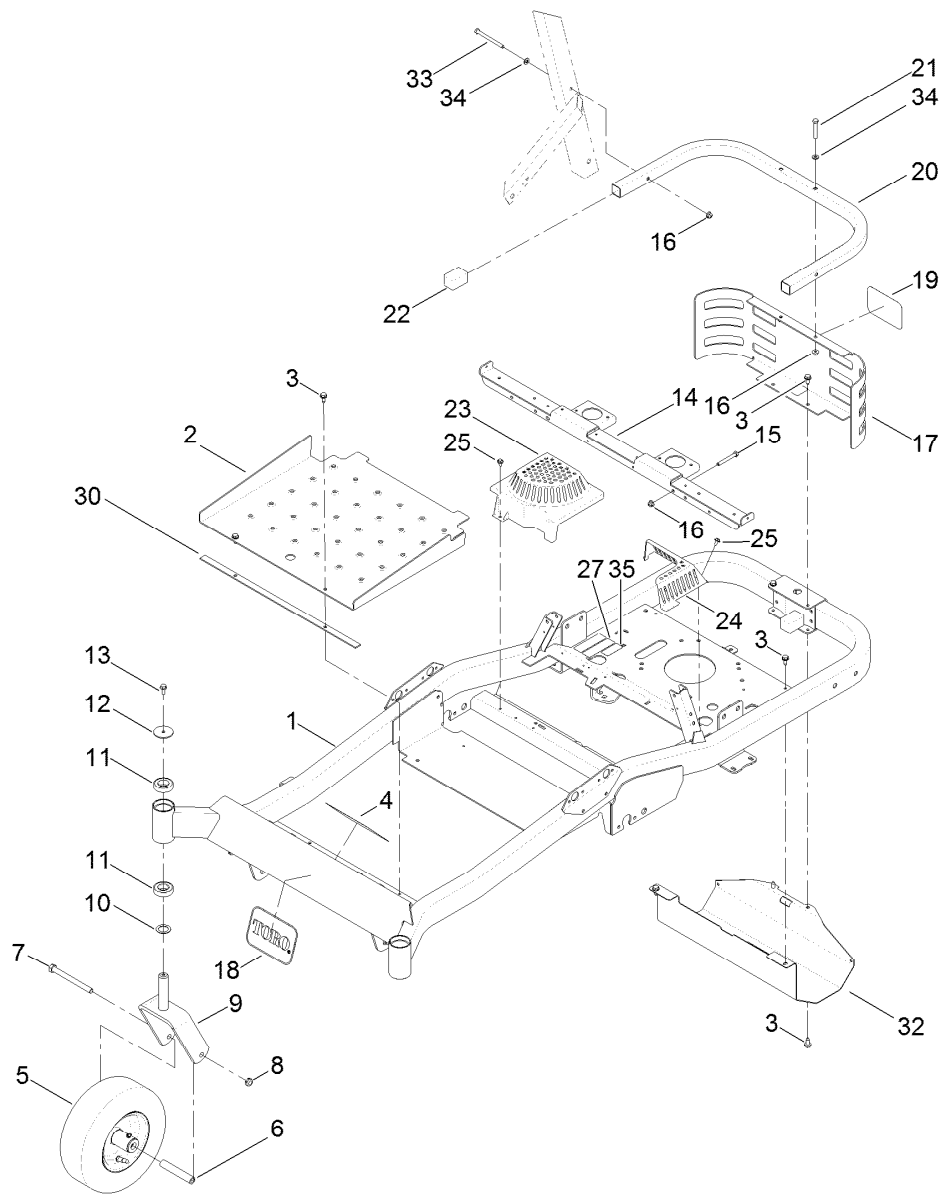
**STD:** standard

**TAP:** self tapping

**TTH:** torx truss head

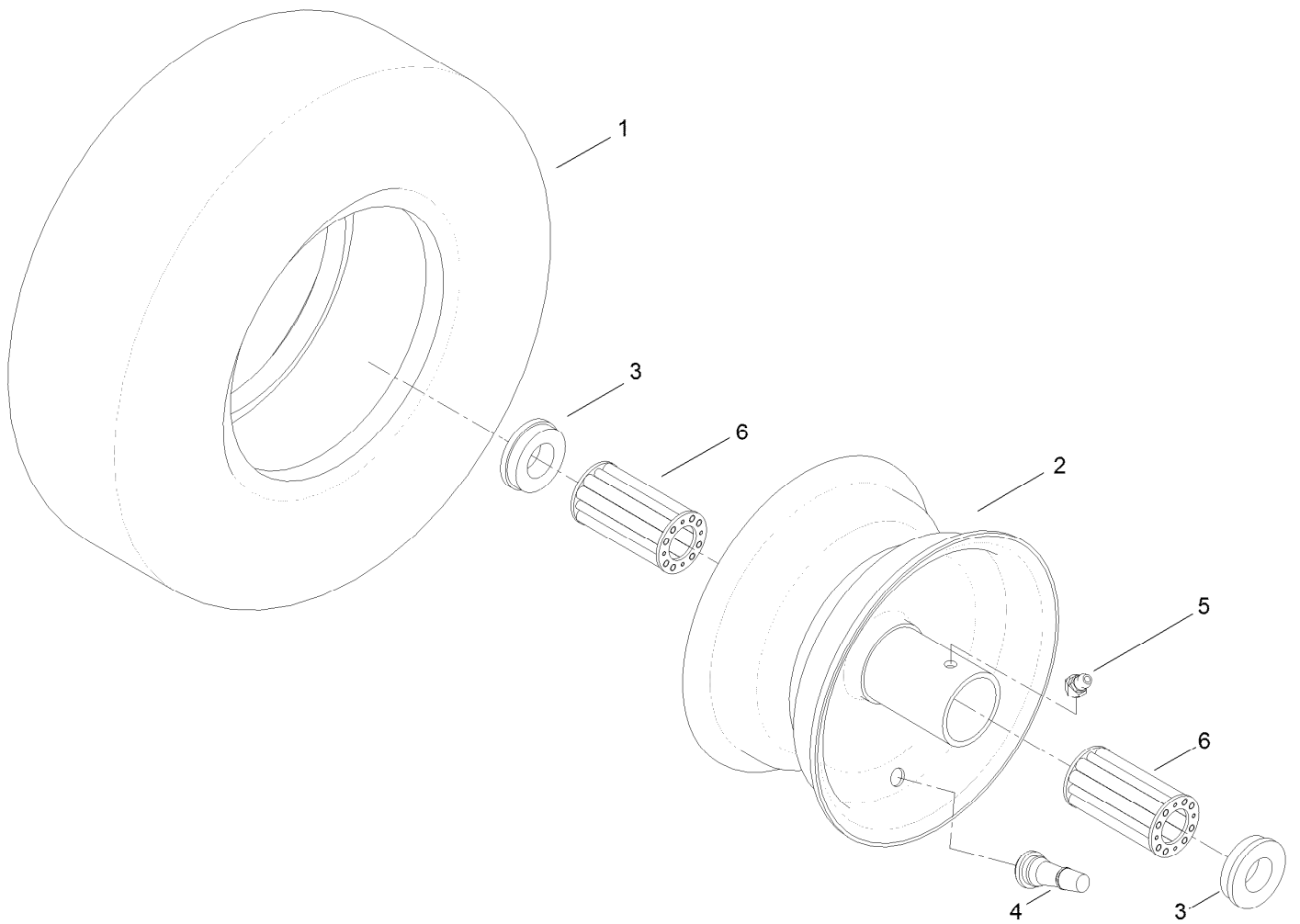
# Contents

Frame, Front Axle and Caster Wheel Assembly .....	4
Wheel and Tire Assembly No. 121-0712 .....	5
Control Panel and Body Styling Pod Assembly .....	6
Deck Lift Assembly .....	7
Traction Drive Assembly .....	8
RH Hydro Transmission Assembly No. 119-8893 .....	10
LH Hydro Transmission Assembly No. 119-8892 .....	12
Motion Control Assembly .....	14
Brake Link Assembly .....	16
Engine, Muffler and Clutch Assembly .....	17
Fuel Delivery Assembly .....	18
Multi Layer Fuel Tank Assembly No. 117-7352 .....	19
Roll-Over Protection System Assembly .....	20
Electrical Assembly .....	21
Seat Assembly .....	22
Seat Assembly No. 121-5659 .....	23
Armrest Kit Assembly No. 110-5719 .....	24
54 Inch Deck Assembly .....	25
54 Inch Deck and Decal Assembly No. 120-7117 .....	26
54 Inch Deck, Belt and Mulch Blade Assembly .....	27
Attachments and Accessories .....	28



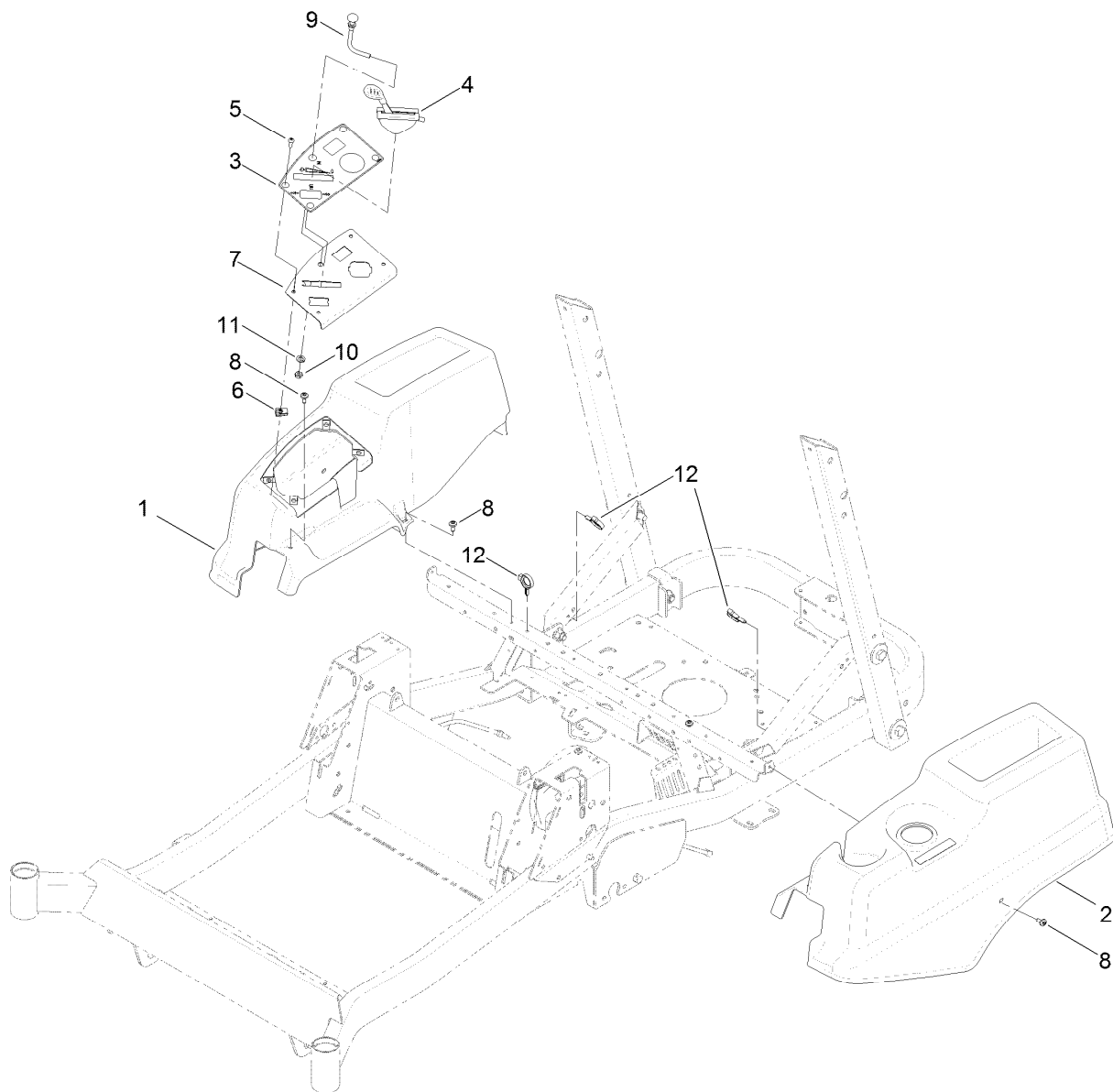
## Frame, Front Axle and Caster Wheel Assembly

Ref.	Part Number	Qty.	Description	Ref.	Part Number	Qty.	Description
1	117-7356-01	1	Frame	17	120-2248-03	1	Guard-Rear
2	115-2531-05	1	Pan-Floor	18	62-5550	1	Decal
3	32144-70	8	Screw-HWHTF	19	105-8278	1	Decal
4	120-5466	1	Decal-Safety	20	121-0704-01	1	Tube-Guard
5	121-0712	2	Wheel And Tire ASM	21	322-10	2	Screw-HH
6	120-2228	2	Spacer-Spanner	22	121-2980	2	Cap
7	325-36	2	Screw-HH	23	117-1241	1	Cover-Fan, RH
8	3296-45	2	Nut-Lock, NI	24	117-1242	1	Cover-Fan, LH
9	119-8923-01	2	Fork-Caster	25	46-8560	2	Screw-HHFTF
10	10-8110	2	Washer-Thrust	27	121-3279	1	Decal-Emissions, E P A
11	109-3678	4	Bearing-Ball	30	117-7238	1	Strip-Vibration, Anti
12	109-3724	2	Washer	32	120-2247-03	1	Guard-Muffler
13	3234-47	2	Screw-HHF	33	322-23	2	Screw-HH
14	117-7451-03	1	Support-Seat	34	3256-23	4	Washer-Flat
15	322-12	2	Screw-HH	35	121-5684	1	Decal-Location, Service Dealer
16	104-8300	6	Nut-Flange, NI				



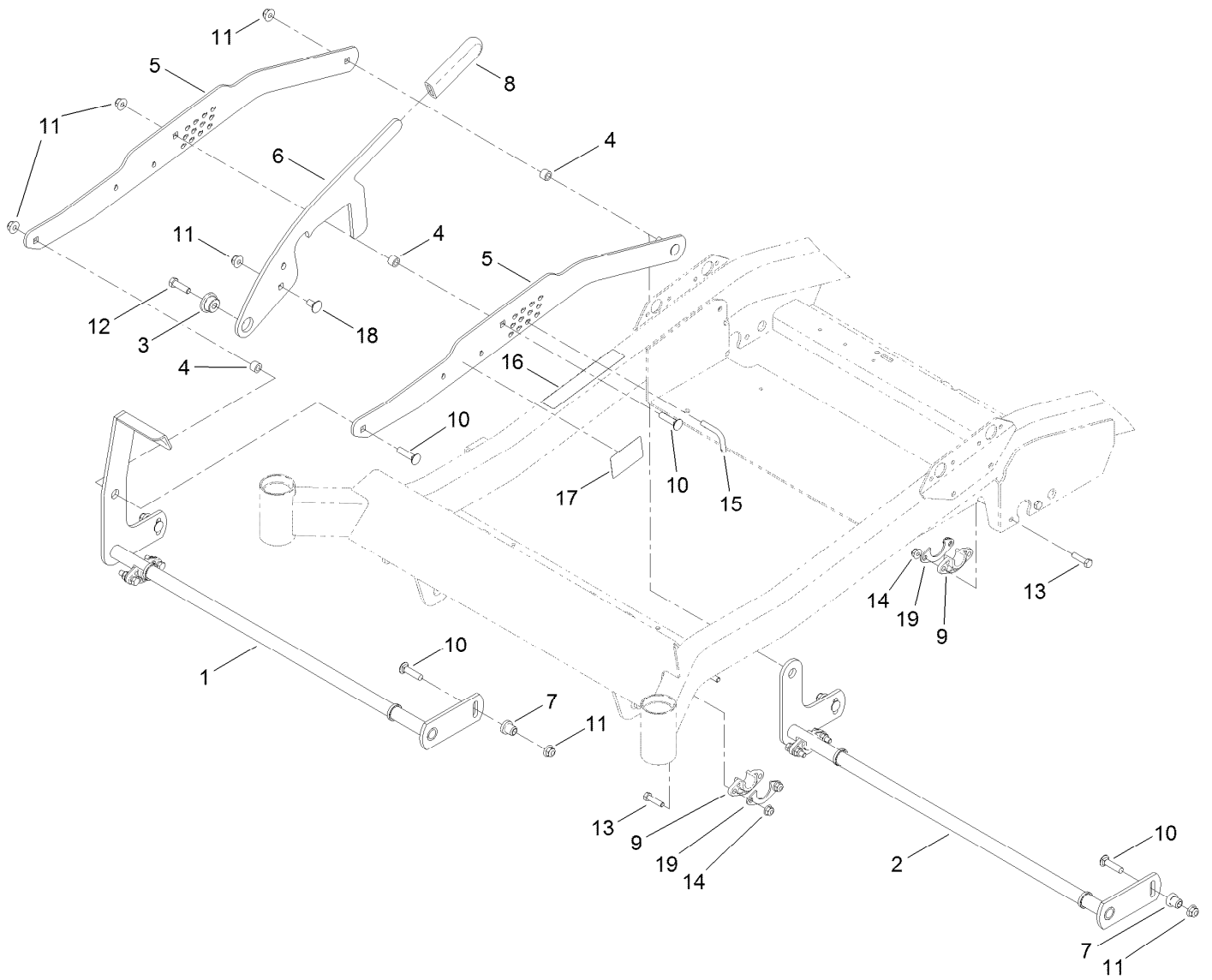
## Wheel and Tire Assembly No. 121-0712

<i>Ref.</i>	<i>Part Number</i>	<i>Qty.</i>	<i>Description</i>
1	121-0713	1	Tire
2	125-5511	1	Rim-6 Inch
3	120-7124	2	Bushing-Flange
4	5108	1	Valve
5	120-7125	1	Fitting-Zerk
6	83-4740	2	Bearing



## Control Panel and Body Styling Pod Assembly

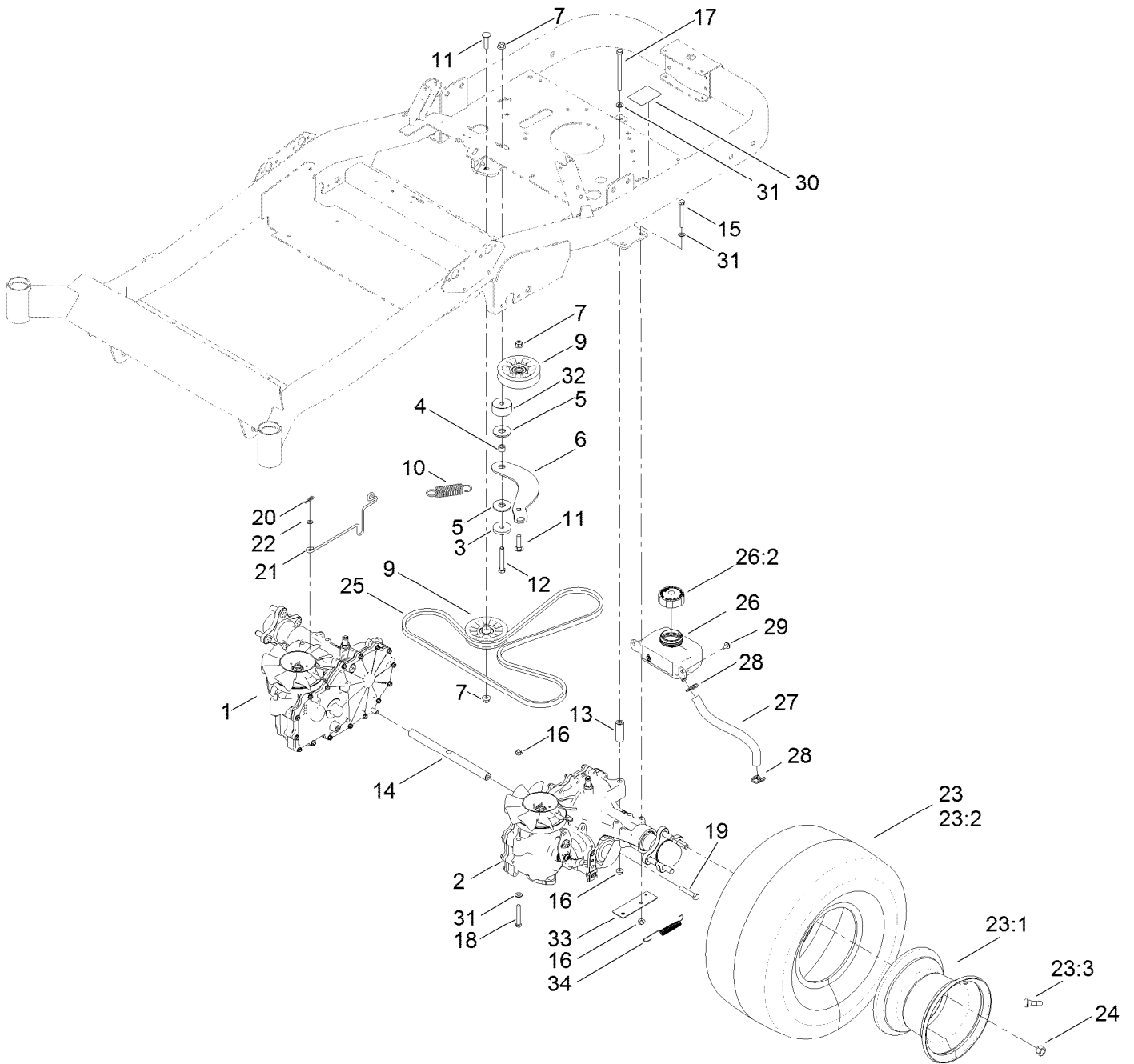
<i>Ref.</i>	<i>Part Number</i>	<i>Qty.</i>	<i>Description</i>
1	120-5488	1	Pod-RH
2	120-5489	1	Pod-LH
3	115-9632	1	Decal-Panel, Control
4	121-0770	1	Cable-Throttle
5	3258-166	4	Screw-PRH
6	107069	4	Clip
7	115-2591-03	1	Panel-Control
8	120-7950	6	Screw-Shoulder
9	120-2291	1	Cable-Choke
10	3253-21	1	Washer-Lock
11	3220-3	1	Nut-HJ
12	105-1853	2	Clamp-Hose



## Deck Lift Assembly

<i>Ref.</i>	<i>Part Number</i>	<i>Qty.</i>	<i>Description</i>	<i>Ref.</i>	<i>Part Number</i>	<i>Qty.</i>	<i>Description</i>
1	115-2495-03	1	Pivot-Front	11	104-8301	8	Nut-Flange, NI
2	115-2498-03	1	Pivot-Rear	12	323-7	1	Screw-HH
3	117-1281	1	Bushing-Mount, HOC	13	322-6	8	Screw-HH
4	115-4986	3	Spacer	14	104-8300	8	Nut-Flange, NI
5	115-2503-03	2	Plate-Lift, Foot	15	117-1280	1	Pin-Keyed
6	115-2504	1	Plate-Stop, HOC	16	115-9644	1	Decal-HOC
7	65-5950	4	Bushing-Pulley	17	117-5344	1	Decal-Lock, Deck
8	1-633268	1	Grip-Lever	18	3231-1	1	Screw-CARR
9	115-5065	4	Bushing-Flange	19	116-2887	4	Gusset-Deck Lift
10	3231-4	7	Screw-CARR				

# Traction Drive Assembly

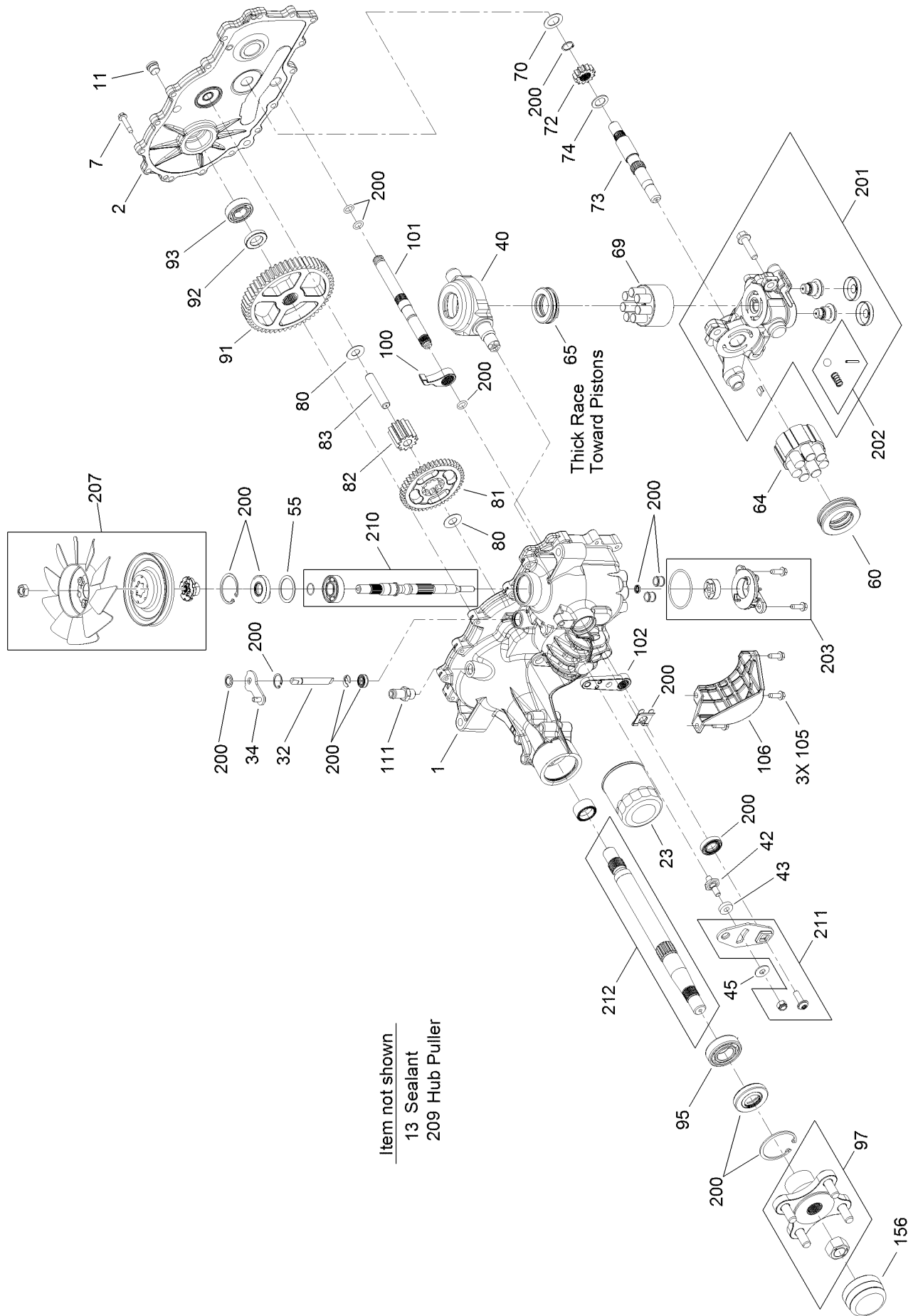


## Traction Drive Assembly (continued)

<i>Ref.</i>	<i>Part Number</i>	<i>Qty.</i>	<i>Description</i>	<i>Ref.</i>	<i>Part Number</i>	<i>Qty.</i>	<i>Description</i>
1	119-8893	1	RH Hydro Transmission ASM	20	1-806003	2	Pin-Cotter, Hair
2	119-8892	1	LH Hydro Transmission ASM	21	115-4990	2	Rod-Bypass
3	110-9981	1	Washer-Plain	22	3256-22	2	Washer-Flat
4	115-4986	1	Spacer	23	125-1820	2	ASM-Tire And Wheel
5	114-0463	2	Washer-Friction, Composite	23:1	125-1824	1	Rim
6	117-5350	1	Arm-Idler	23:2	125-1821	1	Tire
7	104-8301	3	Nut-Flange, NI	23:3	232-27	1	Stem-Valve
9	109-3397	2	Pulley-Idler, Flat	23:99	105-4070	1	Tube-Inner ●
10	1-603402	1	Spring-Extension	24	242-50	8	Nut-Lug
11	3231-4	2	Screw-CARR	25	115-9613	1	V-Belt
12	323-12	1	Screw-HH	26	115-9618	1	HYD Reservoir ASM
13	109-3652	2	Spacer-Hydro	26:2	109-3320	1	Cap-Reservoir, HYD
14	115-2559	1	Shaft-Cross, Hydro	27	115-4969	2	Hose-Overflow
15	322-13	4	Screw-HH	28	117-1193	4	Clamp-Hose
16	104-8300	8	Nut-Flange, NI	29	46-8560	2	Screw-HHFTF
17	322-38	2	Screw-HH	30	117-1158	2	Decal-Bypass
18	322-11	2	Screw-HH	31	3256-23	8	Washer-Flat
19	323-10	2	Screw-HH	32	117-5351	1	Spacer
				33	117-7248-03	2	Plate-Spring
				34	110769	2	Spring-Extension

● Not illustrated

# RH Hydro Transmission Assembly No. 119-8893

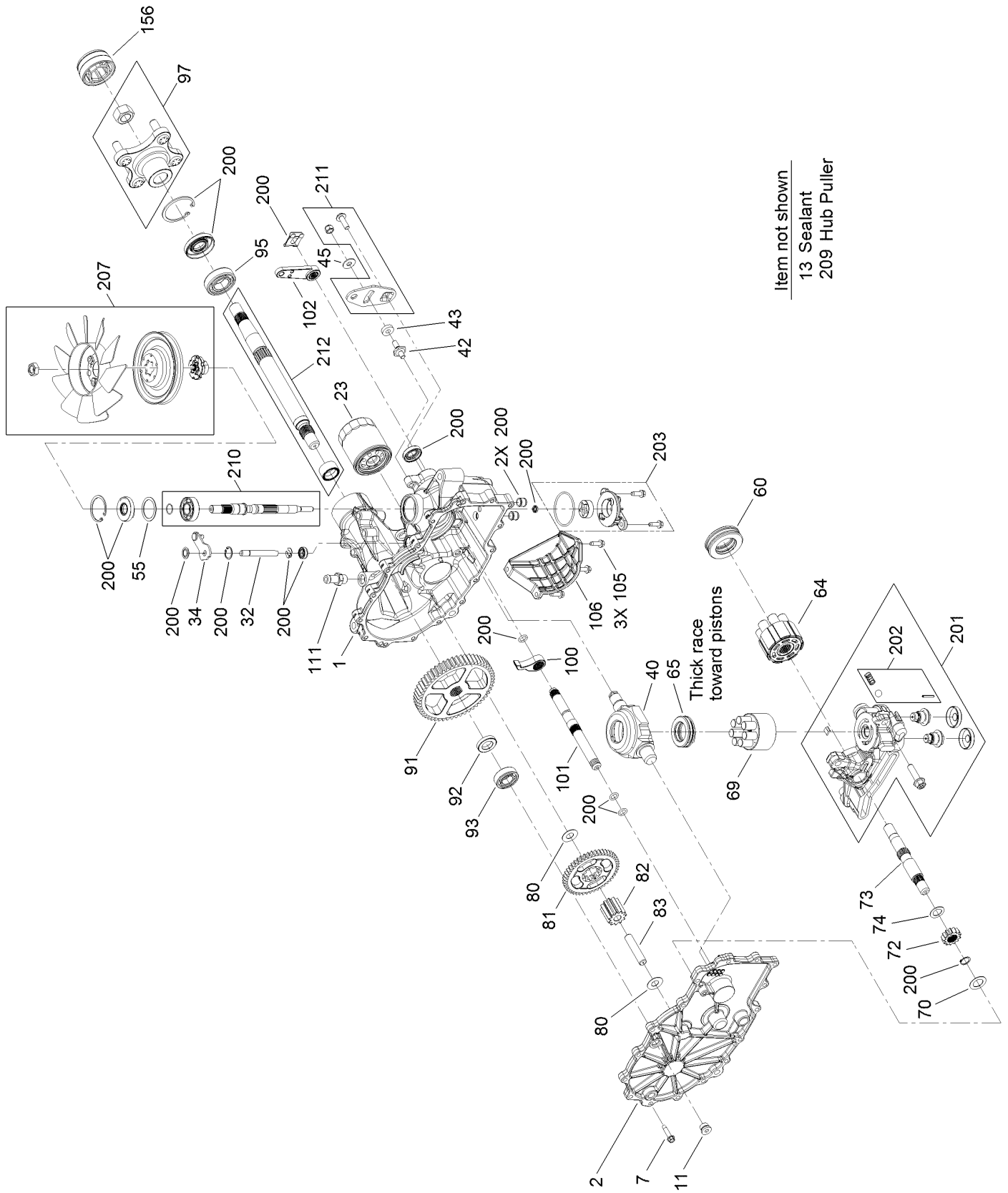


# RH Hydro Transmission Assembly No. 119-8893 (continued)

<i>Ref.</i>	<i>Part Number</i>	<i>Qty.</i>	<i>Description</i>	<i>Ref.</i>	<i>Part Number</i>	<i>Qty.</i>	<i>Description</i>
1	114-1676	1	Main Housing Kit	83	104-5329	1	Pin-Jackshaft
2	117-5358	1	Housing Side Kit	91	114-1694	1	Gear-54T
7	117-5359	16	Screw-HHF	92	120-7975	1	Spacer
11	104-2189	1	Plug-Thread, Straight	93	114-1696	1	Bearing-Ball
13	104-2147	1	Sealant ●	95	120-7976	1	Bearing-Ball
23	109-3321	1	Element-Oil Filter, HYD	97	109-5939	1	Hub Kit
32	114-1685	1	Rod-Bypass	100	114-1697	1	Pawl-Brake
34	107-2490	1	Arm-Bypass	101	120-7977	1	Brake Shaft Kit
40	104-5304	1	Swashplate-Trunnion	102	125-0021	1	Handle-Brake
42	104-2116	1	Stud	105	104-2120	3	Screw
43	112-9853	1	Puck-Friction	106	120-7981	1	Guard-Filter, RH
45	114-8491	1	Washer	111	109-3278	1	Adapter-Straight
55	104-5308	1	Spacer	156	115-5057	1	Cover-Nut, Axle
60	109-2865	1	Bearing, Thrust Pr	200	109-3537	1	Complete Seal Kit ●
64	114-1689	1	Motor Cylinder Block Kit	201	120-7982	1	RH Center Section Charge Kit
65	94-6922	1	Bearing-Thrust	202	114-8464	1	Charge Relief Kit
69	110-8561	1	Pump Block ASM	203	114-8465	1	Charge Kit
70	104-5339	1	Washer-Flat	207	125-0059	1	Fan And Pulley Kit
72	120-7972	1	Gear-13T	209	114-8467	1	Hub-Puller, 4 Bolt ●
73	114-1691	1	Shaft-Motor	210	117-5361	1	Shaft Input Kit
74	104-5360	1	Washer	211	117-5362	1	Arm Control Kit
80	94-1933	2	Washer	212	114-8470	1	Axle Shaft Kit
81	120-7973	1	Gear-46T				
82	120-7974	1	Gear-11T				

● Not illustrated

# LH Hydro Transmission Assembly No. 119-8892

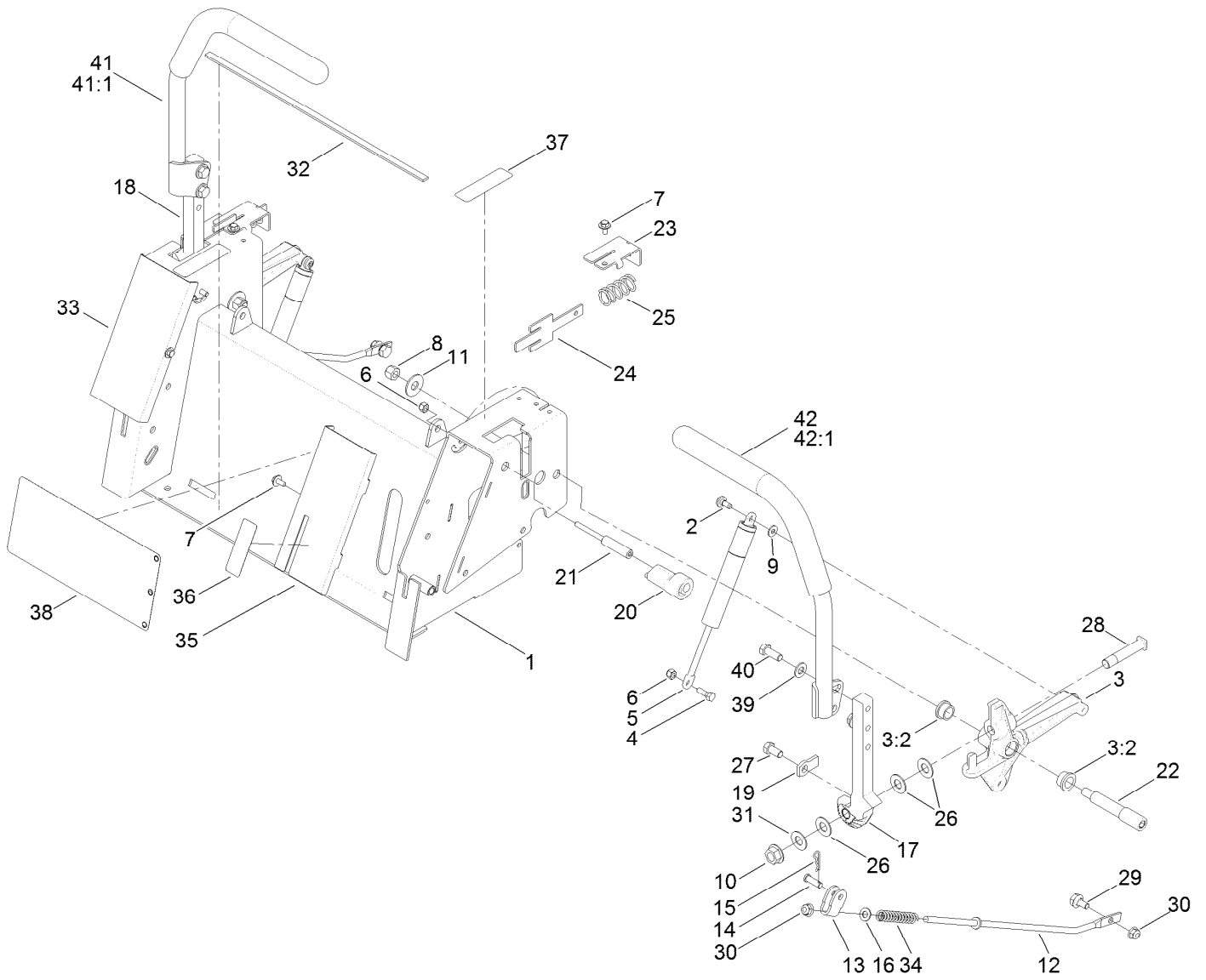


# LH Hydro Transmission Assembly No. 119-8892 (continued)

<i>Ref.</i>	<i>Part Number</i>	<i>Qty.</i>	<i>Description</i>	<i>Ref.</i>	<i>Part Number</i>	<i>Qty.</i>	<i>Description</i>
1	114-8471	1	Main Housing Kit	83	104-5329	1	Pin-Jackshaft
2	114-8472	1	Side Cover Kit	91	114-1694	1	Gear-54T
7	117-5359	16	Screw-HHF	92	120-7975	1	Spacer
11	104-2189	1	Plug-Thread, Straight	93	114-1696	1	Bearing-Ball
13	104-2147	1	Sealant ●	95	120-7976	1	Bearing-Ball
23	109-3321	1	Element-Oil Filter, HYD	97	109-5939	1	Hub Kit
32	114-1685	1	Rod-Bypass	100	114-1697	1	Pawl-Brake
34	107-2490	1	Arm-Bypass	101	120-7977	1	Brake Shaft Kit
40	104-5304	1	Swashplate-Trunnion	102	125-0021	1	Handle-Brake
42	104-2116	1	Stud	105	104-2120	3	Screw
43	112-9853	1	Puck-Friction	106	120-7979	1	Guard-Filter, LH
45	114-8491	1	Washer	111	109-3278	1	Adapter-Straight
55	104-5308	1	Spacer	156	115-5057	1	Cover-Nut, Axle
60	109-2865	1	Bearing, Thrust Pr	200	109-3537	1	Complete Seal Kit ●
64	114-1689	1	Motor Cylinder Block Kit	201	120-7980	1	LH Center Section Charge Kit
65	94-6922	1	Bearing-Thrust	202	114-8464	1	Charge Relief Kit
69	110-8561	1	Pump Block ASM	203	114-8465	1	Charge Kit
70	104-5339	1	Washer-Flat	207	109-5938	1	Fan And Pulley Kit
72	120-7972	1	Gear-13T	209	114-8467	1	Hub-Puller, 4 Bolt ●
73	114-1691	1	Shaft-Motor	210	117-5361	1	Shaft Input Kit
74	104-5360	1	Washer	211	117-5362	1	Arm Control Kit
80	94-1933	2	Washer	212	114-8470	1	Axle Shaft Kit
81	120-7973	1	Gear-46T				
82	120-7974	1	Gear-11T				

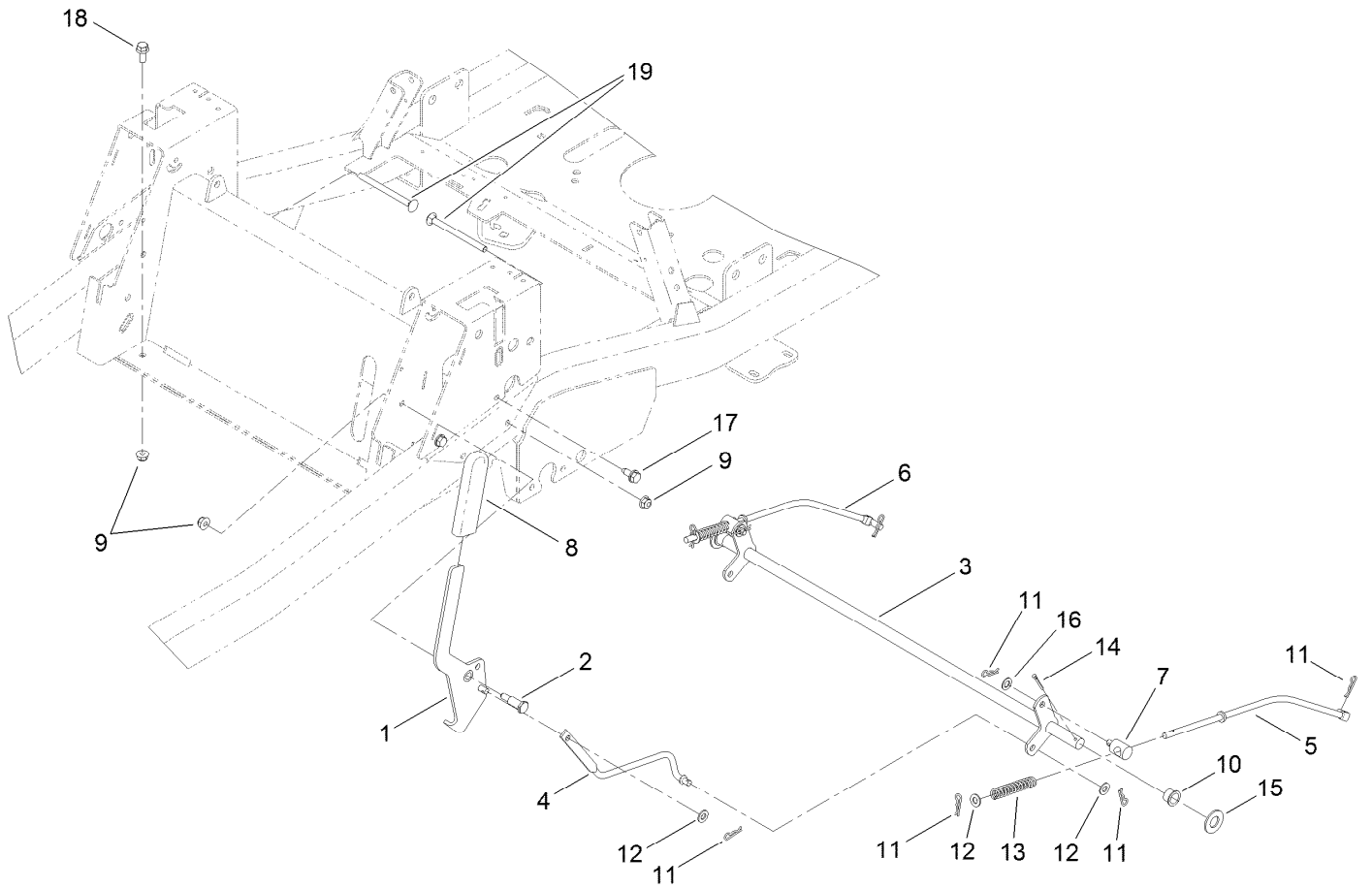
● Not illustrated

# Motion Control Assembly



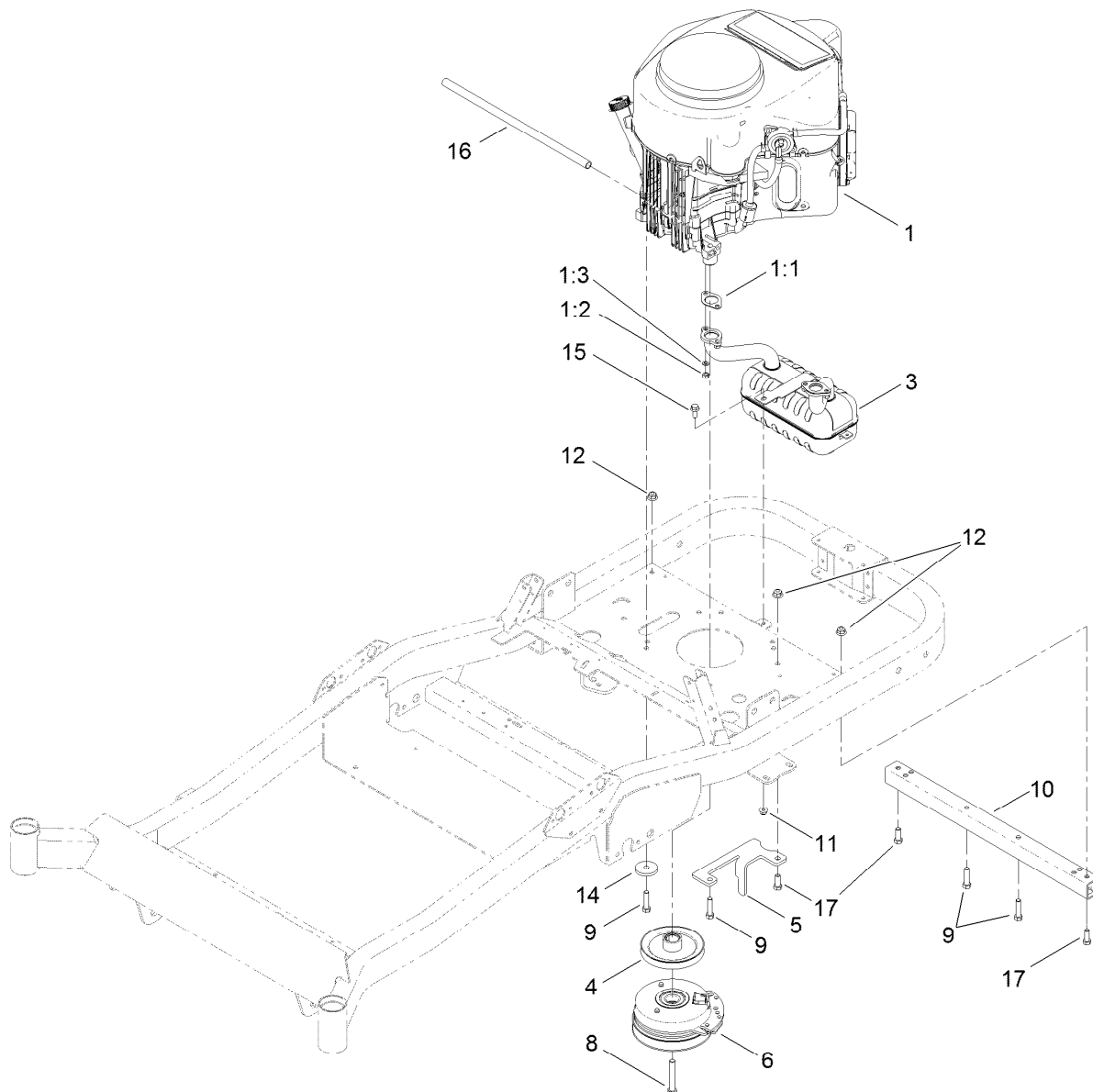
## Motion Control Assembly (continued)

<i>Ref.</i>	<i>Part Number</i>	<i>Qty.</i>	<i>Description</i>	<i>Ref.</i>	<i>Part Number</i>	<i>Qty.</i>	<i>Description</i>
1	117-7452-03	1	Box-Control	23	110-6751	2	Bracket-Return
2	120-7950	2	Screw-Shoulder	24	110-6750	2	Plate-Return
3	110-6828	2	Activator Arm ASM	25	110-6752	2	Spring-Compression
3:2	105-3455	2	Bushing	26	110-6894	6	Washer-Pivot
4	106-2214	2	Bolt-Shoulder	27	323-4	2	Screw-HH
5	109-2339	2	Damper-Control, Motion	28	110-6784	2	Bolt-Shoulder
6	3296-42	4	Nut-Lock, NI	29	37-8771	2	Bolt-Shoulder
7	46-8560	4	Screw-HHFTF	30	104-8300	4	Nut-Flange, NI
8	3296-48	2	Nut-Lock, NI	31	112-9771	2	Washer-Teflon
9	119-8952	2	Washer	32	117-7237	1	Strip-Vibration, Anti
10	32128-23	2	Nut-HF	33	117-1255-03	1	Cover-Control, RH
11	3256-5	2	Washer-Flat	34	1-603807	2	Spring-Return, Neutral
12	117-7422	2	Rod-Control	35	115-2561-03	1	Cover-Control, LH
13	117-7423	2	Bracket-Control	36	115-9625	1	Decal
14	1-808280	2	Pin-Clevis	37	99-8936	2	Decal-Control, Motion
15	1-806003	2	Pin-Cotter, Hair	38	120-7113	1	Decal
16	3256-23	2	Washer-Flat	39	3256-24	4	Washer-Flat
17	110-6783-05	1	Arm-Actuator, LH	40	323-6	4	Screw-HH
18	110-6782-05	1	Arm-Actuator, RH	41	120-2207	1	RH Lever/Grip ASM
19	115-5023	2	Tab-Stop	41:1	106-9987	1	Grip-Control, Motion
20	110-6873	2	Eccentric	42	120-2208	1	LH Lever/Grip ASM
21	110-6874	2	Screw-Eccentric	42:1	106-9987	1	Grip-Control, Motion
22	110-6875	2	Bolt-Shoulder				



## Brake Link Assembly

<i>Ref.</i>	<i>Part Number</i>	<i>Qty.</i>	<i>Description</i>	<i>Ref.</i>	<i>Part Number</i>	<i>Qty.</i>	<i>Description</i>
1	119-3460	1	Handle-Brake	11	1-806003	8	Pin-Cotter, Hair
2	63-2650	1	Screw-Shoulder	12	3256-23	4	Washer-Flat
3	115-5071-03	1	Brake-Bellcrank	13	1-603807	2	Spring-Return, Neutral
4	115-5074	1	Link-Brake	14	3272-11	2	Pin-Cotter
5	117-7322	1	Rod-Brake, LH	15	3256-27	2	Washer-Flat
6	117-7323	1	Rod-Brake, RH	16	40-1940	2	Washer
7	115-9681	2	Fitting-Rod	17	32144-70	4	Screw-HWHTF
8	1-633268	1	Grip-Lever	18	3234-47	2	Screw-HHF
9	104-8300	5	Nut-Flange, NI	19	106-9758	2	Screw-CARR
10	256-292	2	Bushing-Flange, NI				



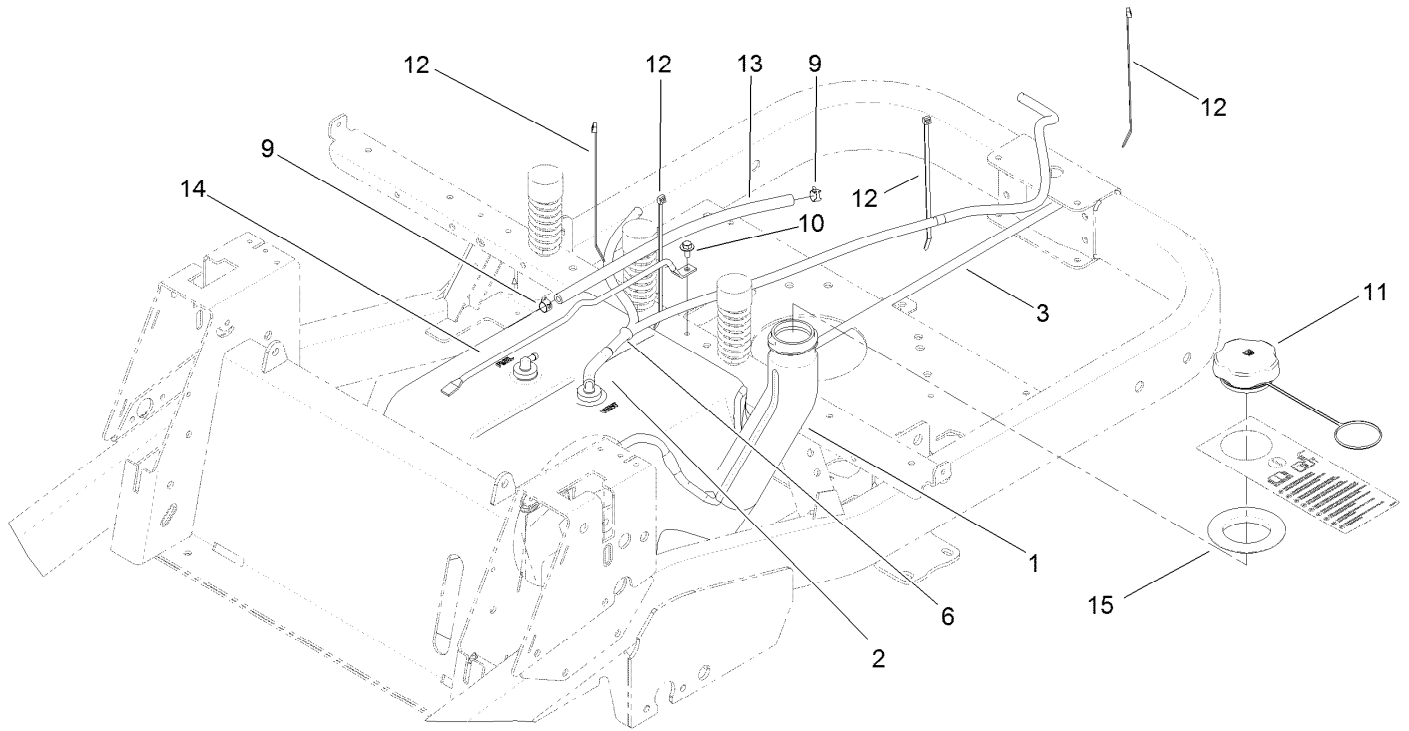
## Engine, Muffler and Clutch Assembly

Ref.	Part Number	Qty.	Description
1		1	Engine-Kawasaki, Fr691V-S12-R●■
1:1	1-653313	2	Gasket-Exhaust
1:2	114-3549	4	Nut
1:3	114-3550	4	Washer-Lock, Spring
3	117-7465	1	Muffler-Kawasaki Twin
4	115-2568	1	Pulley-Engine
5	117-7344-03	1	Bracket-Stop, PTO
6	119-8941	1	Clutch-PTO

Ref.	Part Number	Qty.	Description
8	3212-13	1	Screw-HH
9	323-50	4	Bolt-HH
10	117-7335-03	1	Tube-Stiffener
11	104-8300	1	Nut-Flange, NI
12	104-8301	3	Nut-Flange, NI
14	110-9981	1	Washer-Plain
15	3234-47	1	Screw-HHF
16	106-7022	1	Tube-Drain, Oil
17	323-6	3	Screw-HH

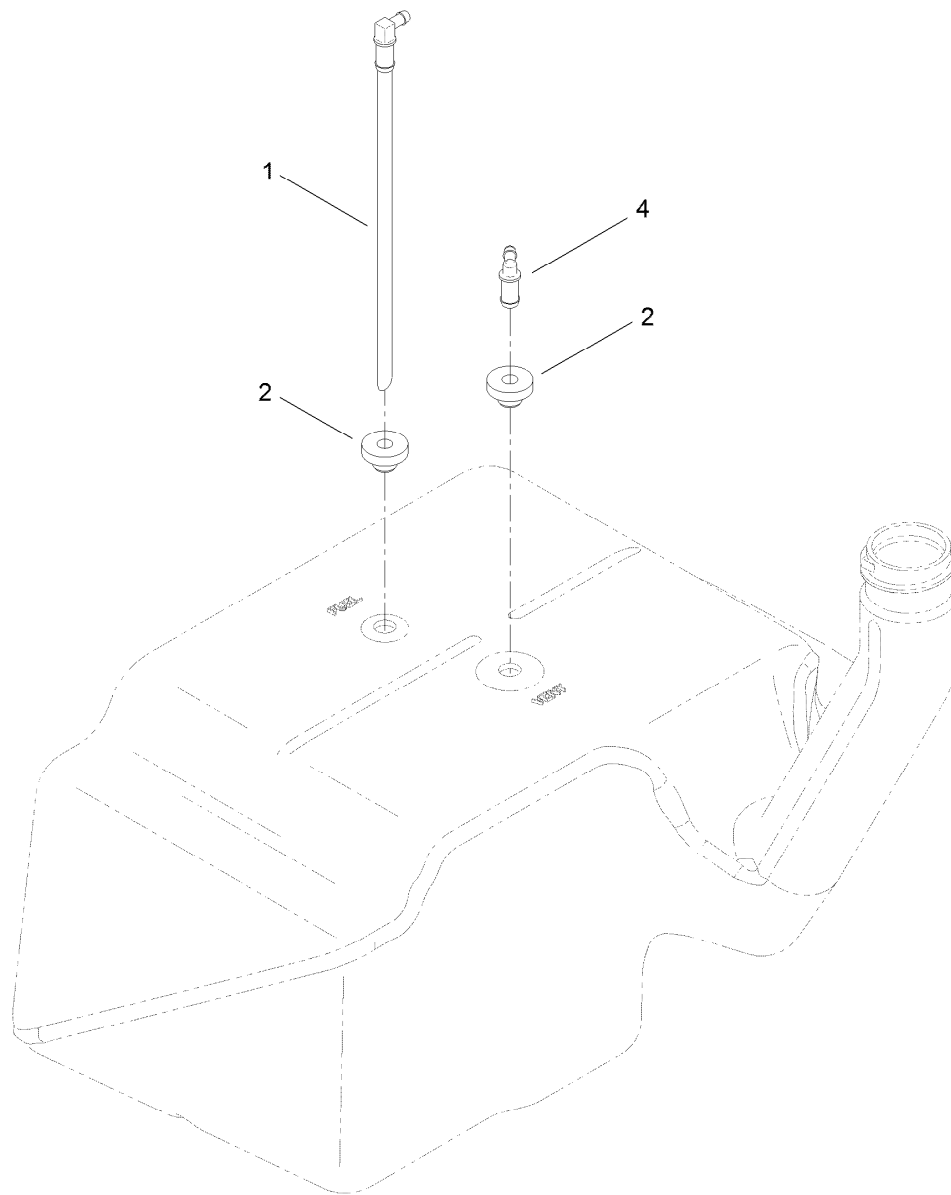
● Not serviced separately

■ Obtain parts from [www.kawpowerpc.com](http://www.kawpowerpc.com)



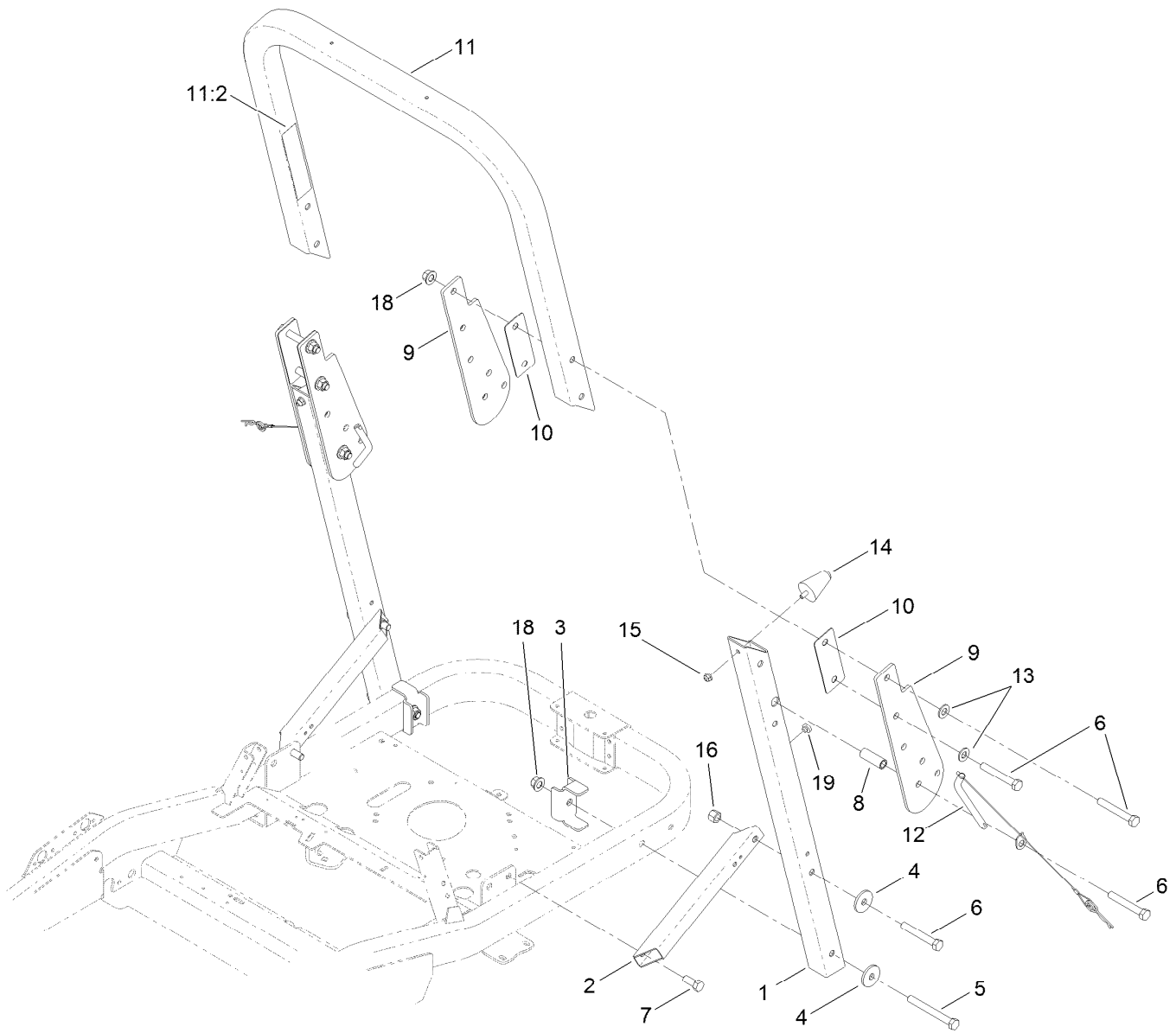
## Fuel Delivery Assembly

<i>Ref.</i>	<i>Part Number</i>	<i>Qty.</i>	<i>Description</i>
1	117-7352	1	Multi Layer Fuel Tank ASM
2	114-3765	1	Hose-Fuel
3	51-3212	1	Hose-Fuel
6	121-0743	1	Adapter-Orifice
9	2412-98	2	Clamp-Hose
10	46-8560	1	Screw-HHFTF
11	125-1847	1	Cap-Fuel
12	614249	2	Tie-Cable
13	107-0589	1	Hose-Fuel
14	115-2620	1	Rod-Tank, Gas
15	117-1298	1	Seal-Tank



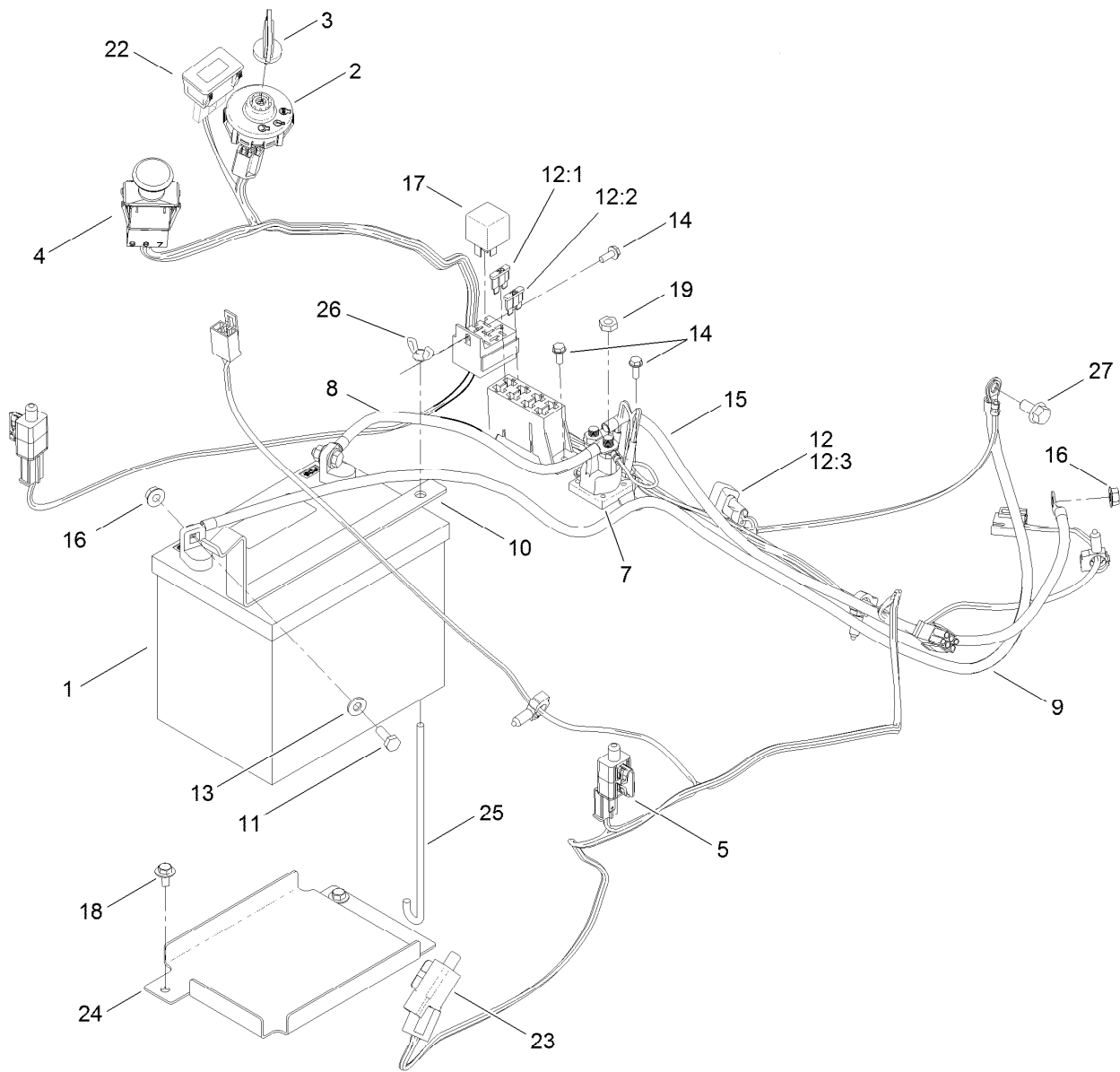
## Multi Layer Fuel Tank Assembly No. 117-7352

<i>Ref.</i>	<i>Part Number</i>	<i>Qty.</i>	<i>Description</i>
1	121-0793	1	Connector-Elbow, 90 DEG
2	46-6560	2	Bushing
4	117-7400	1	Fitting-Plastic



## Roll-Over Protection System Assembly

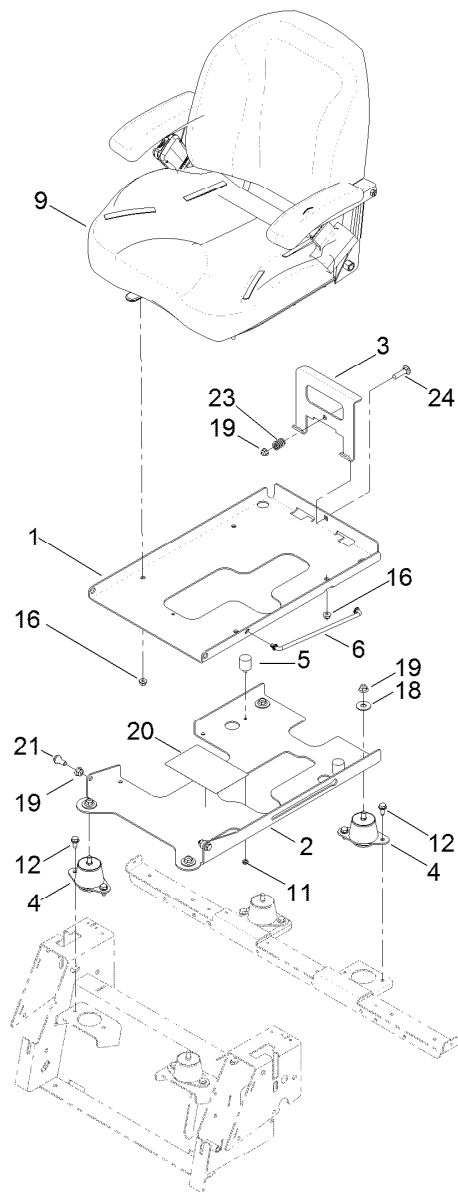
<i>Ref.</i>	<i>Part Number</i>	<i>Qty.</i>	<i>Description</i>
1	121-2986-03	2	Tube-ROPS, Lower
2	115-4962-03	2	Tube-Support, ROPS
3	115-4963-03	2	Bracket-Reinforcing
4	84-1560	4	Washer-Thrust
5	325-18	2	Screw-HH
6	325-14	8	Screw-HH
7	325-5	2	Screw-HH
8	109-6653	2	Spacer
9	119-8911-03	4	Bracket-Pivot, ROPS
10	119-8926-03	4	Spacer-ROPS
11	119-8991	1	Upper ROPS ASM
11:2	107-3069	1	Decal-Warning, Folding ROPS
12	119-8970	2	Pin-ROPS
13	3256-26	4	Washer-Flat
14	114-1925	2	Bumper-Rubber
15	104-8300	2	Nut-Flange, NI
16	119-8969	2	Nut-Hex
18	99-5107	10	Nut-Lock
19	1-513658	2	Bumper



## Electrical Assembly

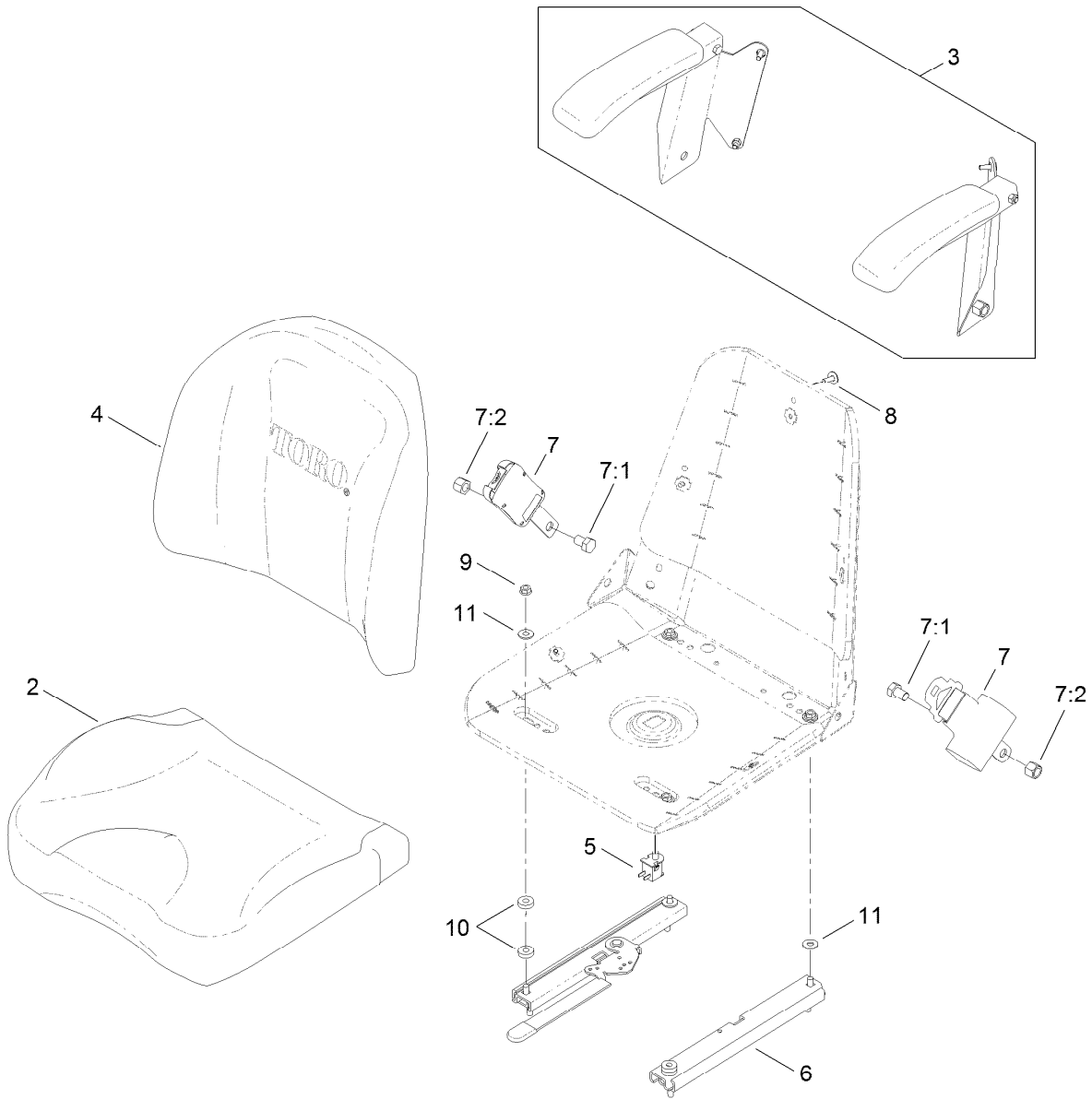
Ref.	Part Number	Qty.	Description
1	105-1692	1	Battery
2	117-2221	1	Switch-Ignition
3	63-8360	1	Key-Ignition (W/Shield)
4	103-5221	1	Switch-PTO
5	110-6765	2	Switch-Single Pole No
7	117-1197	1	Solenoid
8	117-5342	1	Cable-Battery, Positive
9	117-7240	1	Cable-Battery, Negative
10	117-7313-01	1	Strap-Battery
11	321-4	2	Screw-HH
12	121-3015	1	Harness-Wire
12:1	109103	1	Fuse-Blade, 30 Amp
12:2	109102	1	Fuse-Blade, 25 Amp
12:3	100-4918	1	Diode-Over Molded

Ref.	Part Number	Qty.	Description
13	3256-22	2	Washer-Flat
14	32144-1	5	Screw-Taptite
15	92-6989	1	Wire-21 Inch
16	32128-33	3	Nut-HF
17	98-7249	1	Relay
18	46-8560	2	Screw-HHFTF
19	3220-2	2	Nut-Jam
22	120-2244	1	Hourmeter
23	99-7408	1	Switch-Reverse
24	117-1283-03	1	Tray-Battery
25	1-633651	1	Bolt-Holddown
26	1-543792	1	Wingnut
27	33104-016	1	Screw-HHF



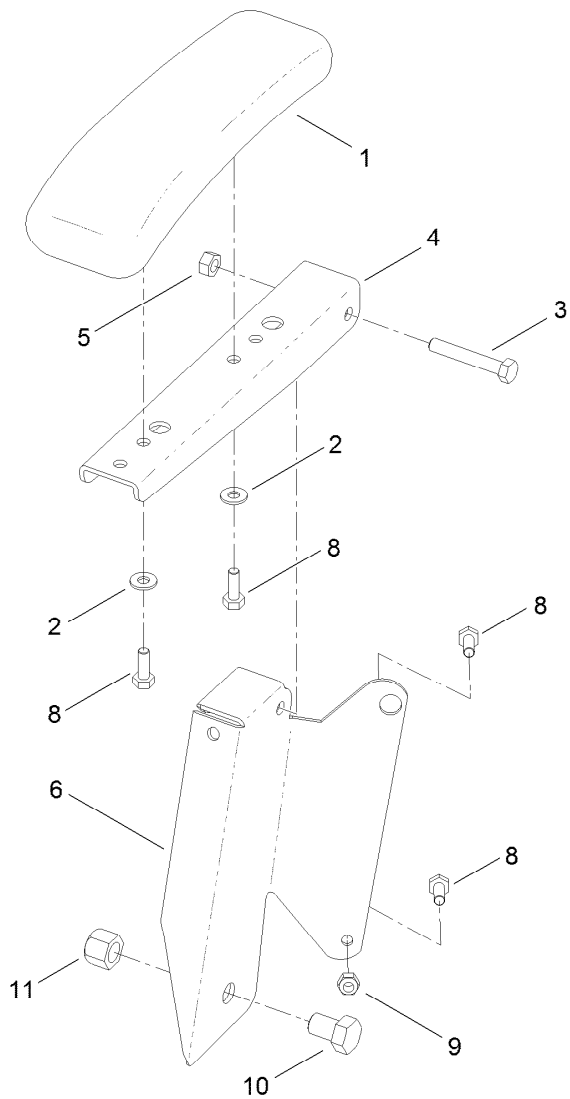
## Seat Assembly

<i>Ref.</i>	<i>Part Number</i>	<i>Qty.</i>	<i>Description</i>	<i>Ref.</i>	<i>Part Number</i>	<i>Qty.</i>	<i>Description</i>
1	125-1702-03	1	Plate-Pan, Seat	12	32144-70	8	Screw-HWHTF
2	125-1703-03	1	Plate-Base	16	104-8300	4	Nut-Flange, NI
3	125-1747-03	1	Latch Seat	18	3256-5	4	Washer-Flat
4	109-9034	4	Isolator-Seat	19	104-8301	7	Nut-Flange, NI
5	106-5891	2	Bumper	20	115-9630	1	Decal-Maintenance
6	125-1796	1	Rod-Prop	21	94-7582	2	Bolt-Shoulder
9	121-5659	1	Seat ASM	23	107-3017	1	Spring-Compression
11	3296-56	2	Nut-Lock, NI	24	3231-26	1	Screw-CARR

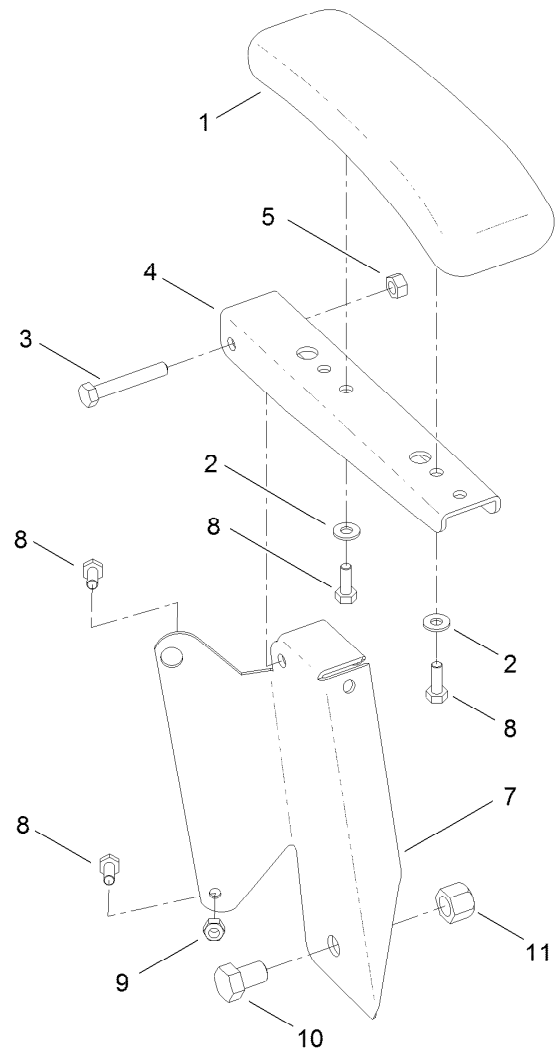


## Seat Assembly No. 121-5659

Ref.	Part Number	Qty.	Description
2	121-4751	1	Cushion-Seat, Bottom
3	110-5719	1	Armrest Kit
4	121-4752	1	Cushion-Seat, Back
5	82-2190	1	Switch-Bail
6	121-5711	1	Track ASM
7	116-2981	1	Seat Belt Kit
7:1	325-2	2	Screw-HH
7:2	3296-23	2	Nut-Lock, NI
8	103-8383	7	Bolt-Seat
9	32128-20	4	Nut-HF
10	26-4840	4	Spacer-Pin, Mounting
11	3256-3	6	Washer-Flat



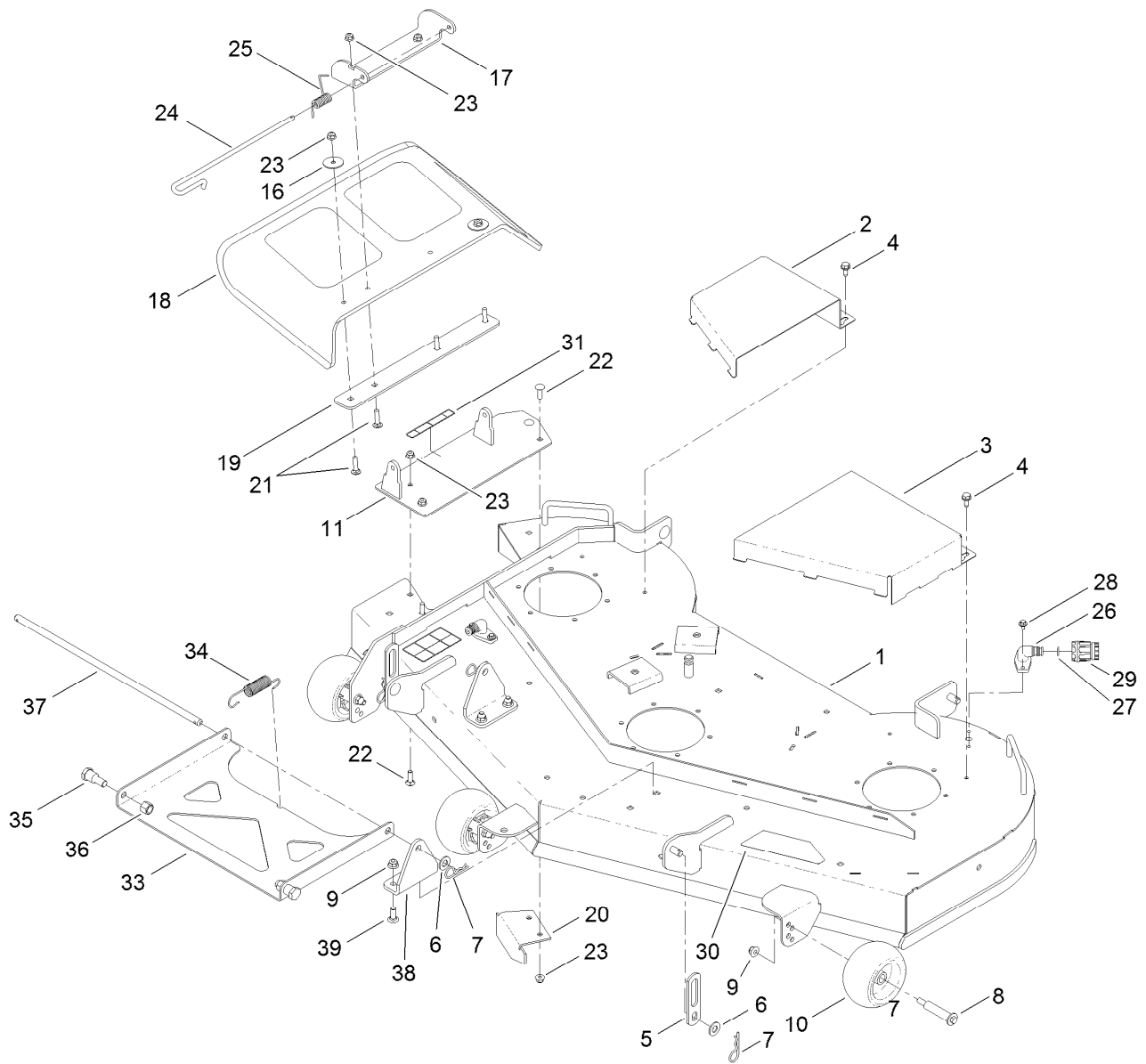
RH ARMREST ASSEMBLY



LH ARMREST ASSEMBLY

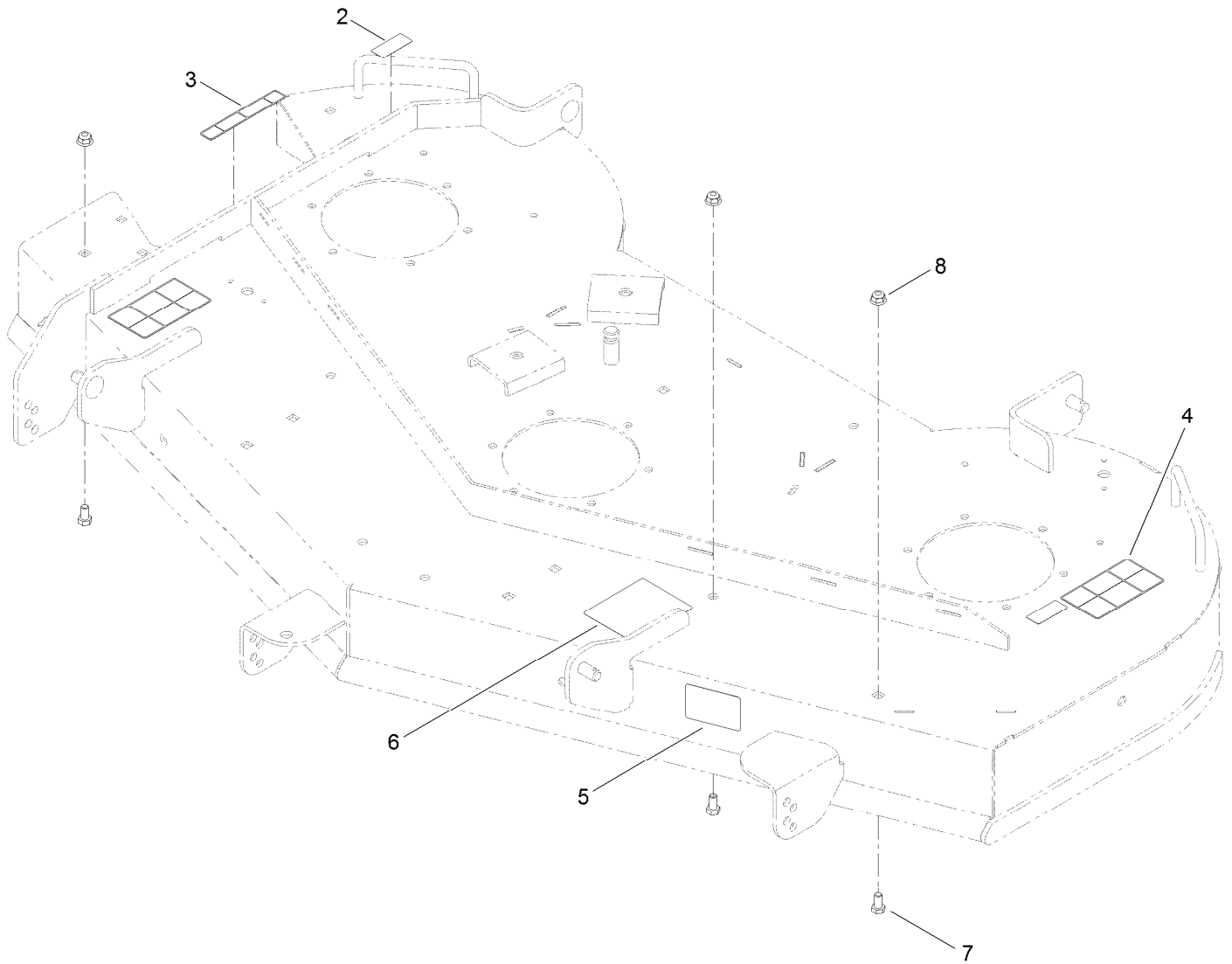
## Armrest Kit Assembly No. 110-5719

Ref.	Part Number	Qty.	Description
1	110-4163	2	Cushion-Rest, Arm
2	3256-22	4	Washer-Flat
3	322-10	2	Screw-HH
4	105-3623	2	Channel-Armrest
5	32153-3	2	Nut-Hex, Side Deform
6	105-3621	1	Bracket-Armrest, RH
7	105-3622	1	Bracket-Armrest, LH
8	321-30	8	Screw-HH
9	3296-42	4	Nut-Lock, NI
10	325-2	2	Screw-HH
11	3296-23	2	Nut-Lock, NI



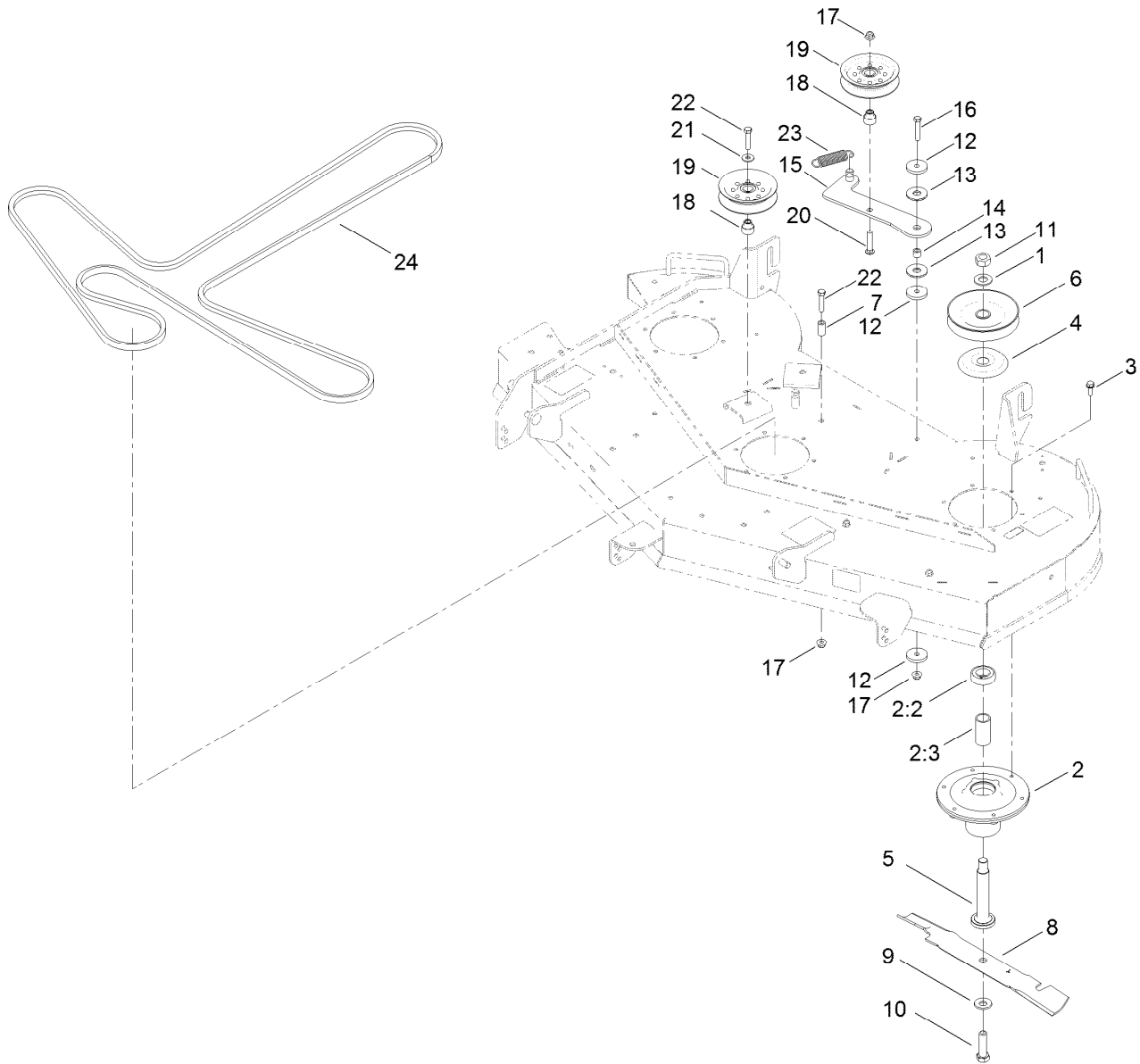
## 54 Inch Deck Assembly

Ref.	Part Number	Qty.	Description	Ref.	Part Number	Qty.	Description
1	120-7117	1	54 Inch Deck And Decal ASM	22	3230-22	4	Screw-CARR
2	117-7404-03	1	Cover-Belt, RH	23	104-8300	8	Nut-Flange, NI
3	117-7405-03	1	Cover-Belt, LH	24	109-8854	1	Pin-Chute
4	32144-70	4	Screw-HWHTF	25	121-2983	1	Spring-Torsion
5	119-8949	4	Link-Lift	26	95-2747	2	Fitting-Washout
6	3256-26	6	Washer-Flat	27	46-6290	2	O-Ring, Seal
7	1-806005	6	Pin-Hair	28	46-8560	4	Screw-HHFTF
8	112-3977	3	Bolt-Shoulder	29	95-3270	1	Connector-Hose
9	104-8301	7	Nut-Flange, NI	30	117-5302	1	Decal
10	1-603299	3	Roller-Scalp, Anti	31	93-7009	1	Decal-Danger, Deflector
11	117-1282-03	1	Plate-Cover	33	115-5027-01	1	Pan-Pivot, Deck
16	3256-68	2	Washer-Flat	34	115-9652	1	Spring-Extension
17	114-1648-03	1	Bracket-Deflector, Upper	35	94-5823	2	Bolt-Shoulder, HH
18	117-1270	1	Deflector-Molded	36	3296-23	2	Nut-Lock, NI
19	115-5048-03	1	Plate-Deflector	37	115-5030	1	Rod-Deck, Pivot
20	115-9653-03	1	Baffle-Cutoff	38	119-8946-01	2	Bracket-Pivot, Front
21	3230-3	4	Screw-CARR	39	3231-22	4	Screw-CARR



## 54 Inch Deck and Decal Assembly No. 120-7117

<i>Ref.</i>	<i>Part Number</i>	<i>Qty.</i>	<i>Description</i>
2	114-1606	2	Decal-Danger
3	93-7009	1	Decal-Danger, Deflector
4	110-6691	2	Decal-Danger
5	112-9840	1	Decal-Scalp, Anti
6	117-1194	1	Decal-Routing, Belt
7	322-2	3	Screw-HH
8	104-8300	3	Nut-Flange, NI



## 54 Inch Deck, Belt and Mulch Blade Assembly

Ref.	Part Number	Qty.	Description
1	7-4150	3	Washer
2	120-5477	3	Spindle ASM
2:2	116-0720	2	Bearing-Ball
2:3	115-2641	1	Spacer-Bearing
3	32144-41	18	Screw-Taptite
4	117-7210	3	Shield-Bearing
5	115-2642	3	Shaft-Spindle
6	115-5018	3	Pulley
7	1-603401	1	Spacer-Fender
8	115-9650-03	3	Blade-Hi Flo, 18.75 Inch
9	125-1736	3	Washer-Belleville
10	51-4060	3	Screw-Blade
11	3219-7	3	Nut-Hex

Ref.	Part Number	Qty.	Description
12	110-9981	3	Washer-Plain
13	114-0463	2	Washer-Friction, Composite
14	1-413088	1	Bushing-Lever, Lift
15	115-5054	1	Arm-Idler
16	323-10	1	Screw-HH
17	104-8301	3	Nut-Flange, NI
18	115-2577	3	Bushing-Idler
19	116-3626	3	Pulley-Idler
20	3231-6	1	Screw-CARR
21	80-6990	2	Washer-Hardened
22	323-9	3	Screw-HH
23	108-4056	1	Spring-Extension
24	115-4971	1	V-Belt

# Attachments and Accessories

## For 74872 TITAN MX5480 Zero-Turn-Radius Riding Mower

<b>Product Name</b>	<b>Model/Part</b>
54in Recycler Kit.....	117-5313
Step Kit.....	117-5316
Light Kit.....	117-5317
54in/60in Striping Kit.....	117-5319
Leaf Bagging Enhancement Kit .....	117-7202
54in Bagger Finishing Kit (Used with 79328 Bagger) .....	121-5663
Hitch Kit .....	79014
Cargo Carrier .....	79032
Front Weight Kit.....	79033
Bagger Kit.....	79328
E-Z Vac Twin Bagger .....	79330
54in Blower and Drive Kit.....	79341
10 cu. ft. Poly Dump Cart.....	79991

**Notes:**

**Notes:**

**Notes:**



**Count on it.**