



**Count on it.**

**Parts Catalog**

**TimeCutter® ZS 4200 Riding  
Mower**

Model No. 74386—Serial No. 313000001 and Up



# Ordering Replacement Parts

To order replacement parts, please supply the part number, the quantity, and the description of each part desired.

## Understanding Reference Numbers

Each identified part in an illustration has a reference number. The reference number for a part also appears in the parts list, along with other information about the part.

This catalog uses two special reference number formats, one to indicate parts in a service assembly and another to indicate the quantity of a given part in an illustration.

## Service Assembly Reference Numbers

Parts in service assemblies have reference numbers in the form a:b. The a represents the reference number of the entire service assembly and the b represents a sequential number unique to each part within the service assembly.

For example, a wheel assembly might be identified by reference number 6, the tire by 6:1, the valve by 6:2, and the wheel by 6:3. When you order the assembly identified by reference number 6, you receive all parts identified by reference numbers 6:1, 6:2, and 6:3. However, you may also order any part individually. Reference numbers of this type appear in illustration and in parts lists.

## Reference Numbers Indicating Quantity

In an illustration, if a reference number indicates more than one part, the reference number has the form nX y. The n represents the quantity of the part, the X is the multiplication symbol, and the y represents the reference number.

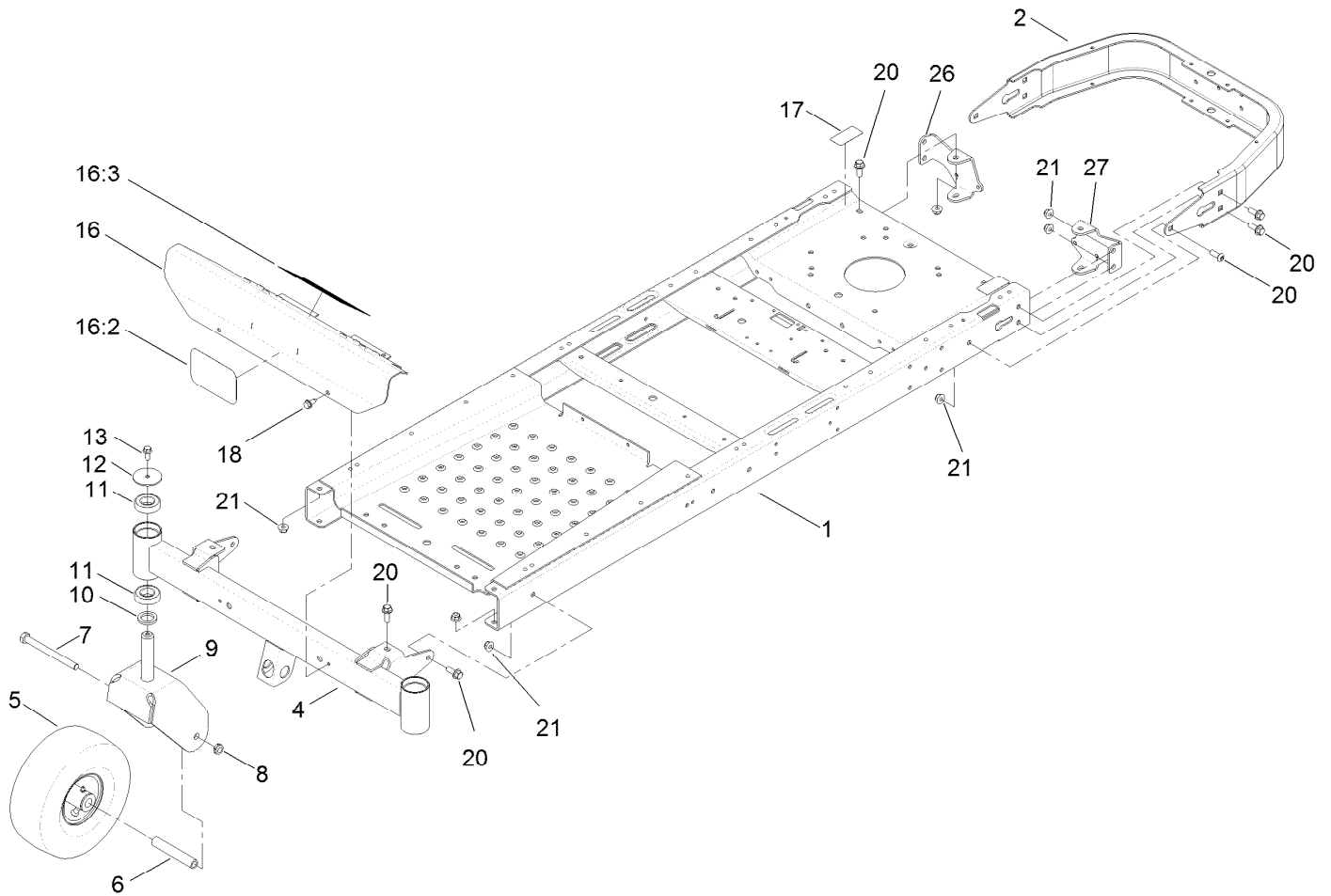
For example, in an illustration, the reference number 2X 37 means that two of the parts identified by reference number 37 are indicated.

# List of Abbreviations

<b>AR:</b> as required	<b>HLH:</b> hex lag head	<b>PTO:</b> power-take-off
<b>ASM:</b> assembly	<b>HOC:</b> height-of-cut	<b>RH:</b> right hand
<b>BBC:</b> blade brake control	<b>HSBH:</b> hex socket button head	<b>ROPS:</b> roll-over protection system
<b>BHTF:</b> button head thread forming	<b>HSFH:</b> hex socket flat head	<b>RRB:</b> rear roller brush
<b>CARR:</b> carriage	<b>HSH:</b> hex socket head	<b>SFH:</b> slotted fillister head
<b>CCW:</b> counter clockwise	<b>HWH:</b> hex washer head	<b>SHH:</b> slotted hex head
<b>CW:</b> clockwise	<b>HWHTF:</b> hex washer head thread forming	<b>SHWH:</b> slotted hex washer head
<b>DEG:</b> degrees	<b>HYD:</b> hydraulic	<b>SPH:</b> slotted pan head
<b>DPA:</b> Dual Point Adjustment	<b>LH:</b> left hand	<b>SQH:</b> square head
<b>ECM:</b> electronic control module	<b>LP:</b> Liquefied Petroleum Gas	<b>SRH:</b> slotted round head
<b>EXT:</b> external	<b>LPG:</b> Liquefied Petroleum Gas	<b>STD:</b> standard
<b>FH:</b> flat head	<b>NI:</b> nylon insert	<b>TAP:</b> self tapping
<b>GA:</b> gauge	<b>NPTF:</b> national pipe thread fine	<b>TTH:</b> torx truss head
<b>HD:</b> heavy-duty	<b>PFH:</b> phillips flat head	
<b>HF:</b> hex flange	<b>PPH:</b> phillips pan head	
<b>HH:</b> hex head	<b>PPHTF:</b> phillips pan head thread forming	
<b>HHF:</b> hex head flange	<b>PRH:</b> phillips round head	
<b>HHFTF:</b> hex head flange thread forming	<b>PTH:</b> phillips truss head	
<b>HJ:</b> hex jam		

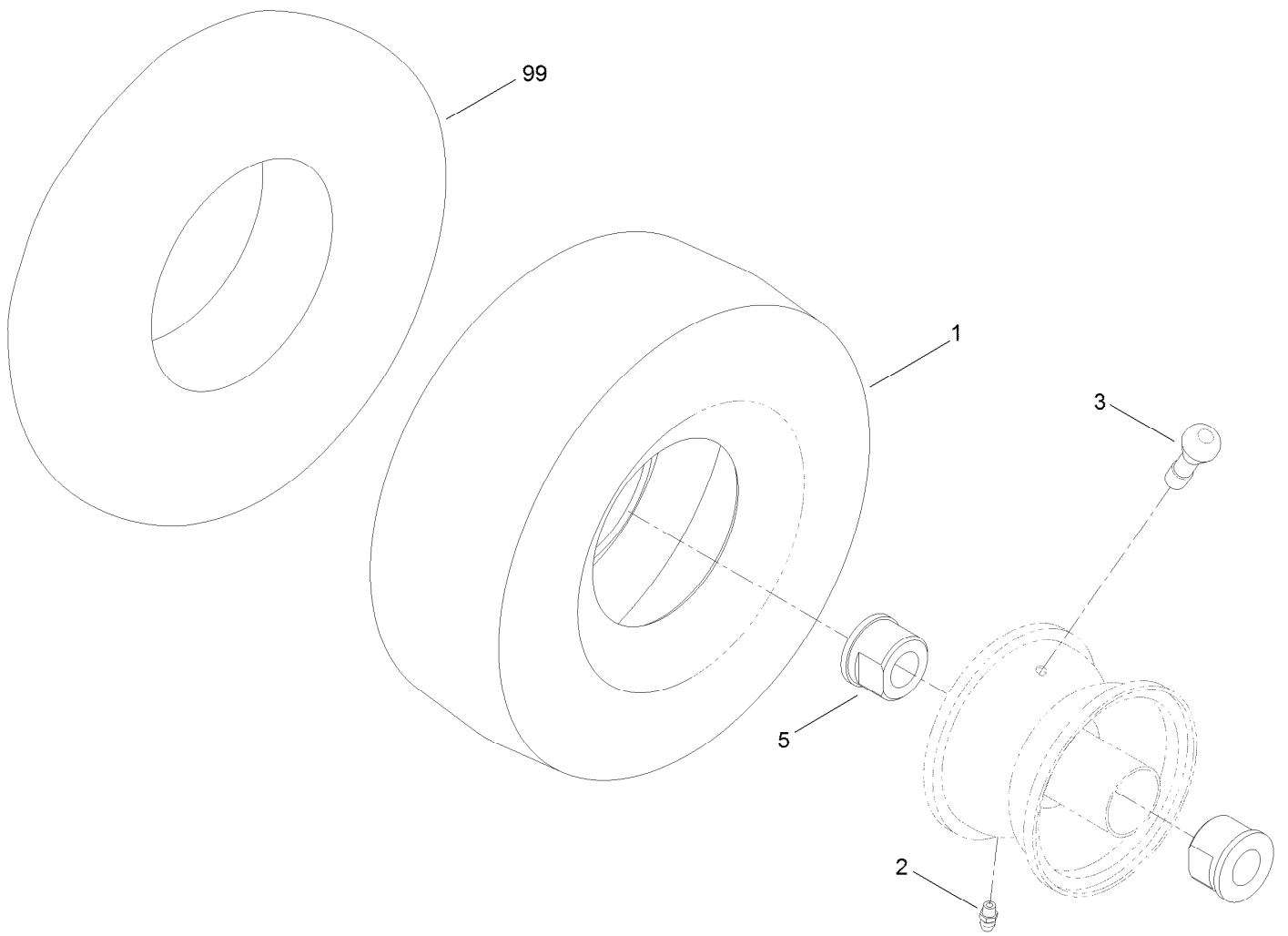
# Contents

Frame, Front Axle and Caster Wheel Assembly .....	4
Caster Wheel Assembly No. 120-5515.....	5
Motion Control Assembly .....	6
Belt and Idler Assembly.....	8
Hydro Transaxle Drive and Rear Wheel Assembly .....	9
Right Hand Hydro Transaxle Assembly No. 119-3331 .....	10
Left Hand Hydro Transaxle Assembly No. 119-3330 .....	12
Clutch Assembly.....	14
Engine and Muffler Assembly.....	15
Body Styling and Fuel Pod Assembly .....	16
Fuel Delivery Assembly.....	17
Battery and Electrical Assembly.....	18
Seat Assembly .....	19
Deck Lift Assembly.....	20
42 Inch Deck Assembly.....	21
42 Inch Deck Assembly No. 119-8840 .....	22
42 Inch Deck Baffle Assembly .....	23
42 Inch Deck, Belt and Blade Assembly .....	24
Attachments and Accessories .....	25



## Frame, Front Axle and Caster Wheel Assembly

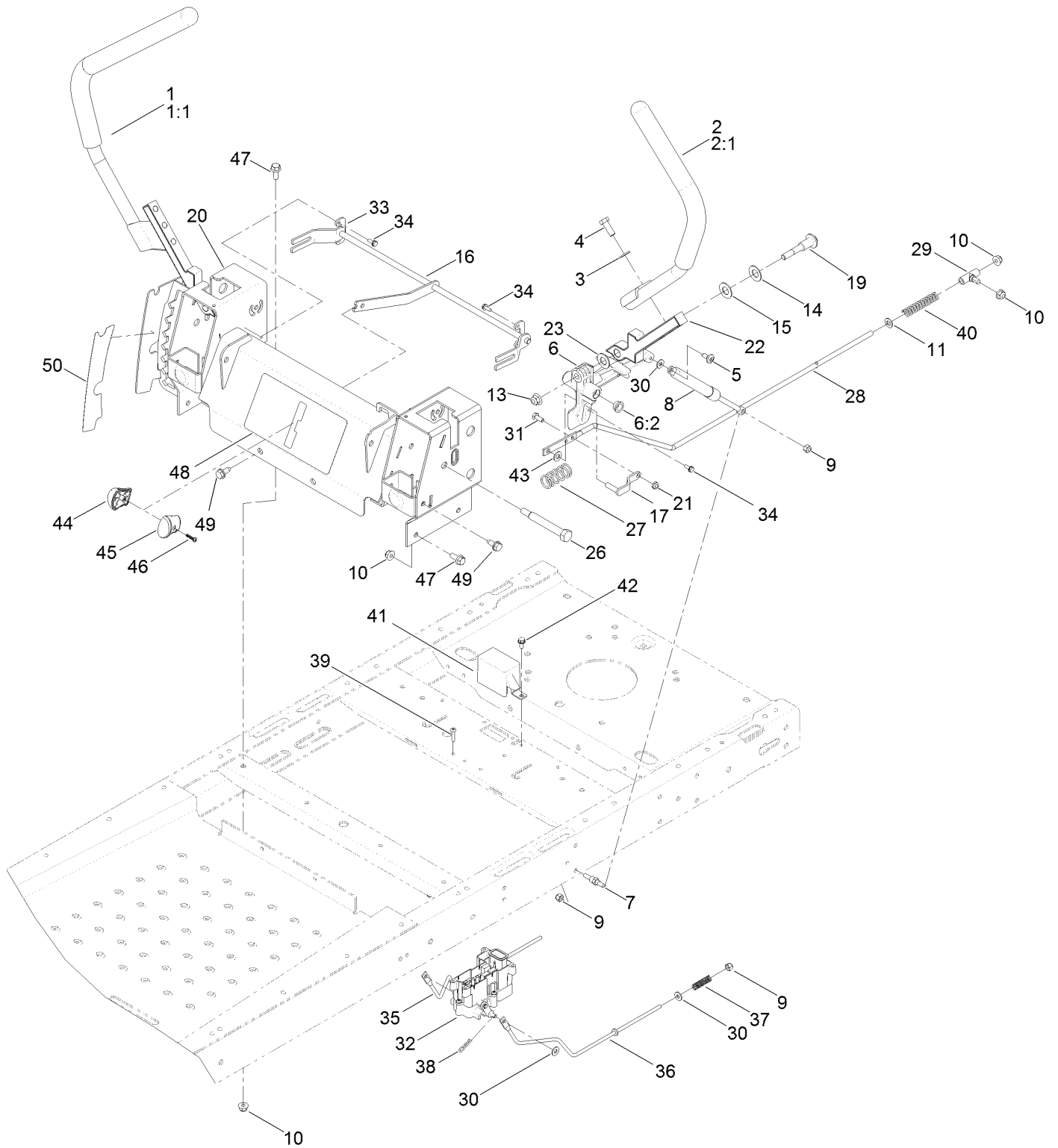
<i>Ref.</i>	<i>Part Number</i>	<i>Qty.</i>	<i>Description</i>	<i>Ref.</i>	<i>Part Number</i>	<i>Qty.</i>	<i>Description</i>
1	121-2970-01	1	Frame	13	3234-47	2	Screw-HHF
2	110-1920-01	1	Bumper-Rear	16	125-0072	1	Footrest ASM
4	120-5516-01	1	Axle-Front	16:2	105-8278	1	Decal
5	120-5515	2	Caster Wheel ASM	16:3	120-2239	1	Decal-Danger
6	104-3667	2	Spanner-Wheel	17	121-2989	2	Decal-Bypass
7	325-22	2	Screw-HH	18	32144-70	2	Screw-HWHTF
8	3296-45	2	Nut-Lock, NI	20	3234-42	14	Screw-HHF
9	120-2266-01	2	Fork-Caster	21	104-8301	14	Nut-Flange, NI
10	117-7394	2	Washer-Thrust	26	121-0737-01	1	Mount-Hydro, Rear RH
11	109-3678	4	Bearing-Ball	27	121-0738-01	1	Mount-Hydro, Rear LH
12	119-8915	2	Washer				



## Caster Wheel Assembly No. 120-5515

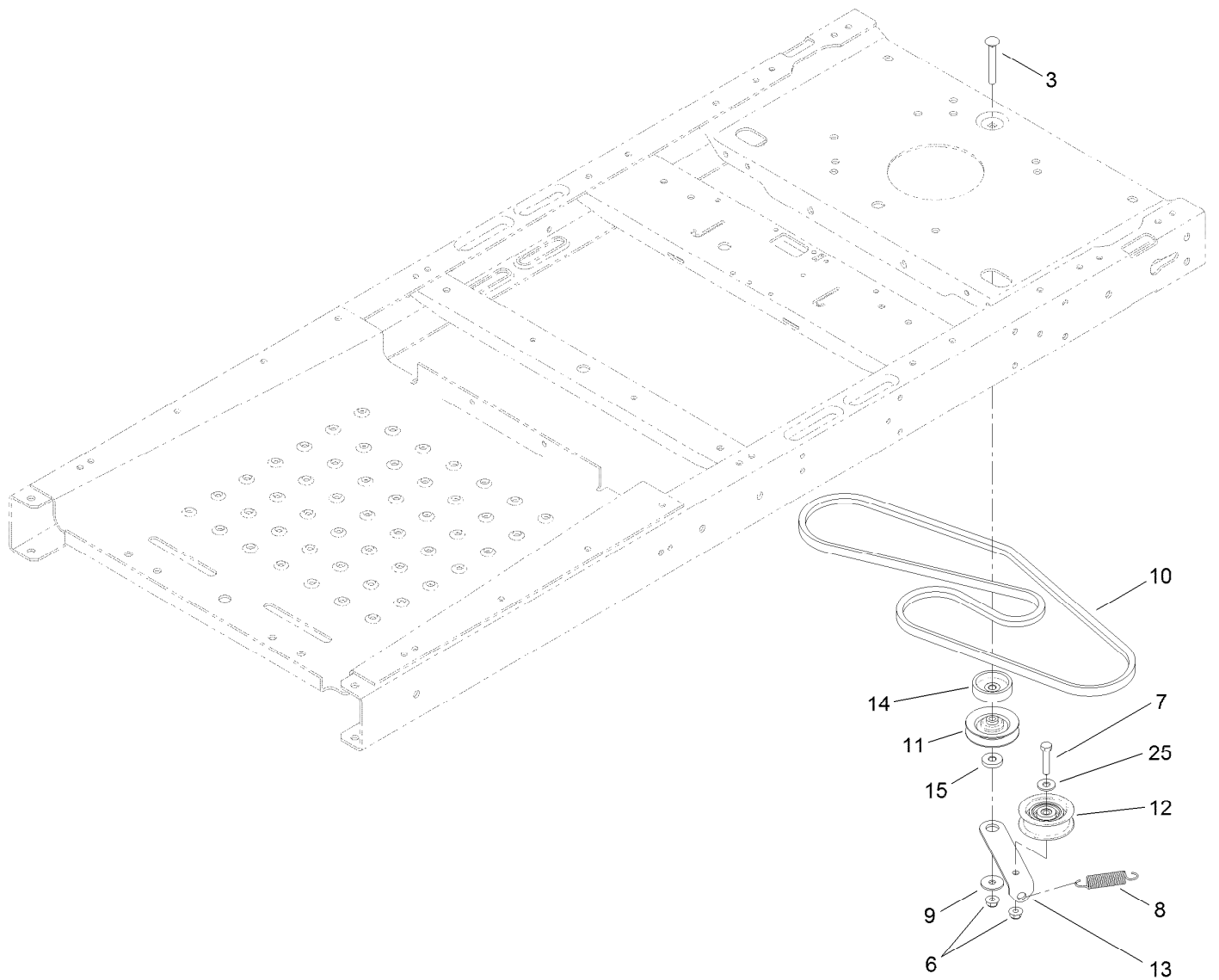
<i>Ref.</i>	<i>Part Number</i>	<i>Qty.</i>	<i>Description</i>
1	120-5514	1	Tire-Smooth
2	302-5	1	Fitting-Grease
3	232-27	1	Stem-Valve
5	114-1640	2	Bushing-Flange
99	93-4244	1	Tube-Inner (W/Valve)

# Motion Control Assembly



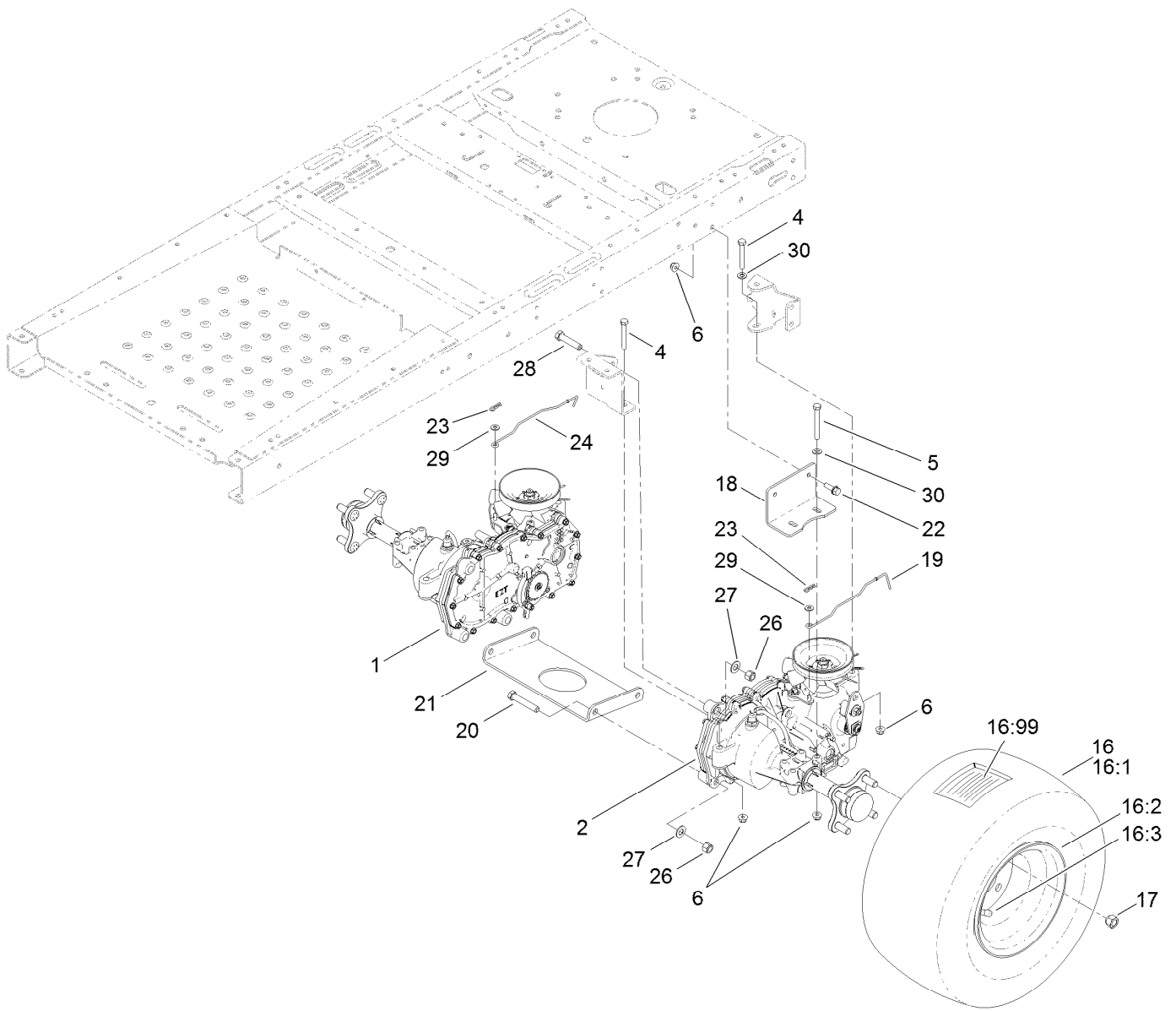
## Motion Control Assembly (continued)

<i>Ref.</i>	<i>Part Number</i>	<i>Qty.</i>	<i>Description</i>	<i>Ref.</i>	<i>Part Number</i>	<i>Qty.</i>	<i>Description</i>
1	121-0731	1	Handle-Control, RH	27	119-8876	2	Spring-Return
1:1	121-0726	1	Grip	28	117-5388	2	Rod-Hydro
2	121-0730	1	Handle-Control, LH	29	119-8842	2	Mount-Rod, Hydro
2:1	121-0726	1	Grip	30	119-8952	8	Washer
3	3256-24	4	Washer-Flat	31	321-3	2	Screw-HH
4	323-6	4	Screw-HH	32	121-3017	1	Brake Control Module ASM
5	120-7950	2	Screw-Shoulder	33	117-5385	2	Retainer
6	119-3470	2	Actuator Arm ASM	34	32144-1	4	Screw-Taptite
6:2	256-156	2	Bushing-Flange	35	121-2974	1	Rod-Brake, RH
7	110-6810	2	Stud-Damper	36	121-2975	1	Rod-Brake, LH
8	103-2913	2	Damper-Control, Motion	37	117-1169	4	Spring-Compression
9	3296-42	6	Nut-Lock, NI	38	3290-307	2	Pin-Hair
10	104-8300	10	Nut-Flange, NI	39	32144-36	4	Screw-PPH
11	3256-23	2	Washer-Flat	40	1-603807	2	Spring-Return, Neutral
13	104-8301	4	Nut-Flange, NI	41	119-8859	1	Cover-Brake
14	119-8925	2	Washer-Belleville	42	32144-4	1	Screw-HWH
15	117-1240	2	Washer	43	93-6079	2	Spacer-Nylon
16	119-8832	1	Control-Speed	44	119-8935	1	Knob-RH
17	119-3303	2	Pin-Rod, Hydro	45	119-8936	1	Knob-LH
19	117-1198	2	Bolt-Pivot	46	94-4496	1	Screw-PPH
20	125-5473-03	1	Control Box ASM	47	3234-47	6	Screw-HHF
21	3296-56	2	Nut-Lock, NI	48	120-5468	1	Decal-Speed Control
22	115-5098-05	2	Lever-Control	49	32144-70	4	Screw-HWHTF
23	120-2273	2	Washer-Nylon	50	120-5469	1	Decal
26	115-5099	2	Bolt-Pivot				



## Belt and Idler Assembly

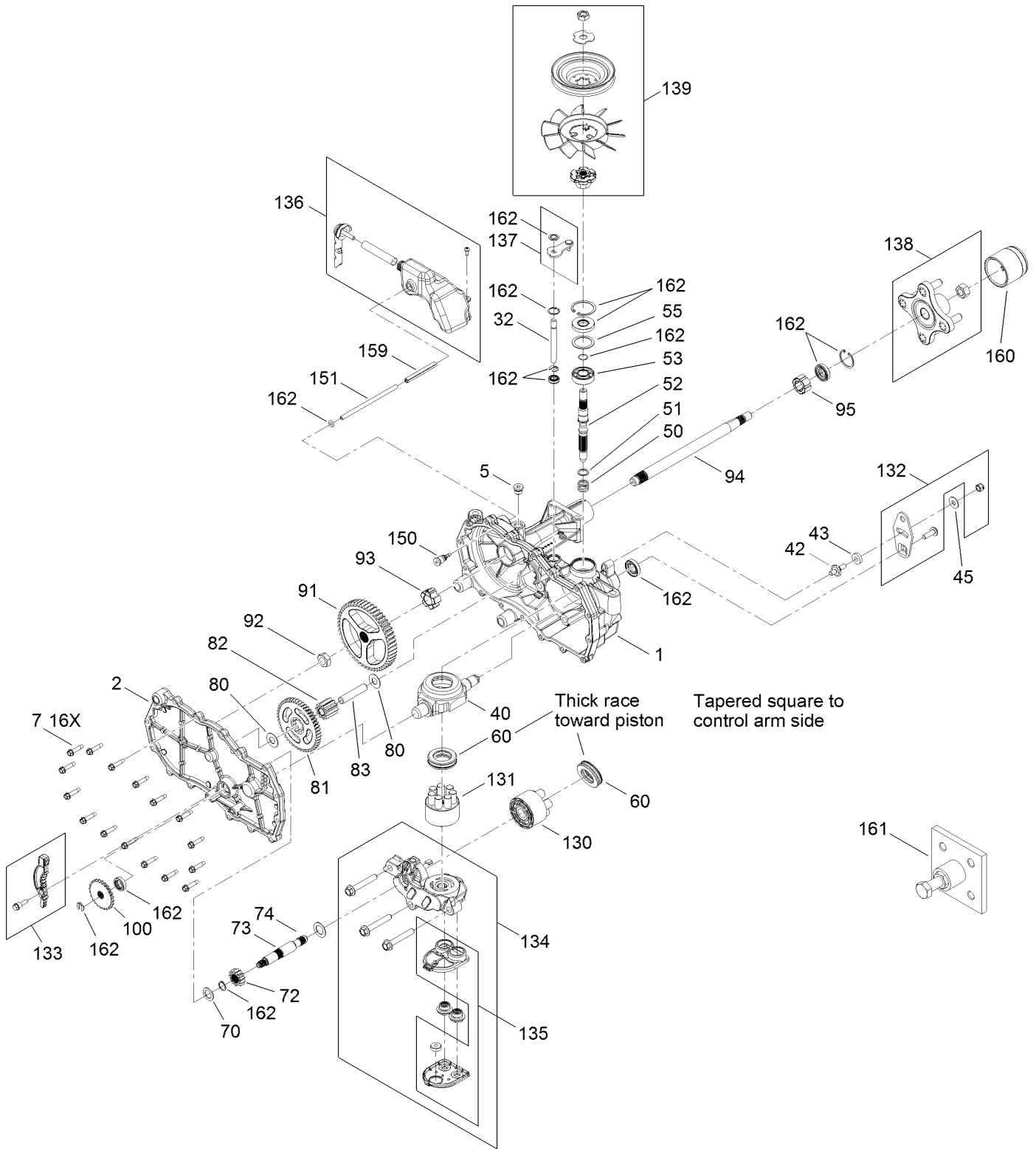
Ref.	Part Number	Qty.	Description
3	3230-8	1	Screw-CARR
6	104-8300	2	Nut-Flange, NI
7	322-7	1	Screw-HH
8	104-6415	1	Spring-Return, Pedal
9	5-4460	1	Washer-Pivot
10	119-3309	1	V-Belt
11	119-8822	1	Pulley-Idler
12	106-2176	1	Pulley-Idler
13	119-3326	1	Arm-Idler
14	119-3353	1	Spacer
15	119-3327	1	Spacer-Arm, Idler
25	3256-3	1	Washer-Flat



## Hydro Transaxle Drive and Rear Wheel Assembly

<i>Ref.</i>	<i>Part Number</i>	<i>Qty.</i>	<i>Description</i>	<i>Ref.</i>	<i>Part Number</i>	<i>Qty.</i>	<i>Description</i>
1	119-3331	1	RH Hydro Transaxle ASM	19	121-2971	1	Rod-Bypass, LH
2	119-3330	1	LH Hydro Transaxle ASM	20	324-10	4	Screw-HH
4	322-11	4	Screw-HH	21	119-3339-03	1	Plate-Cross, Hydro
5	322-13	4	Screw-HH	22	3234-29	4	Screw-HHF
6	104-8300	12	Nut-Flange, NI	23	3290-307	2	Pin-Hair
16	120-5523	2	Wheel And Tire ASM	24	121-0752	1	Rod-Bypass, RH
16:1	119-8907	1	Tire	26	3296-48	6	Nut-Lock, NI
16:2	107-2475	1	Wheel	27	3256-25	6	Washer-Flat
16:3	232-27	1	Stem-Valve	28	324-8	2	Screw-HH
16:99	107-2491	1	Tube-Tire	29	3256-22	2	Washer-Flat
17	242-50	8	Nut-Lug	30	3256-23	6	Washer-Flat
18	117-7264-03	2	Mount-Hydro				

# Right Hand Hydro Transaxle Assembly No. 119-3331

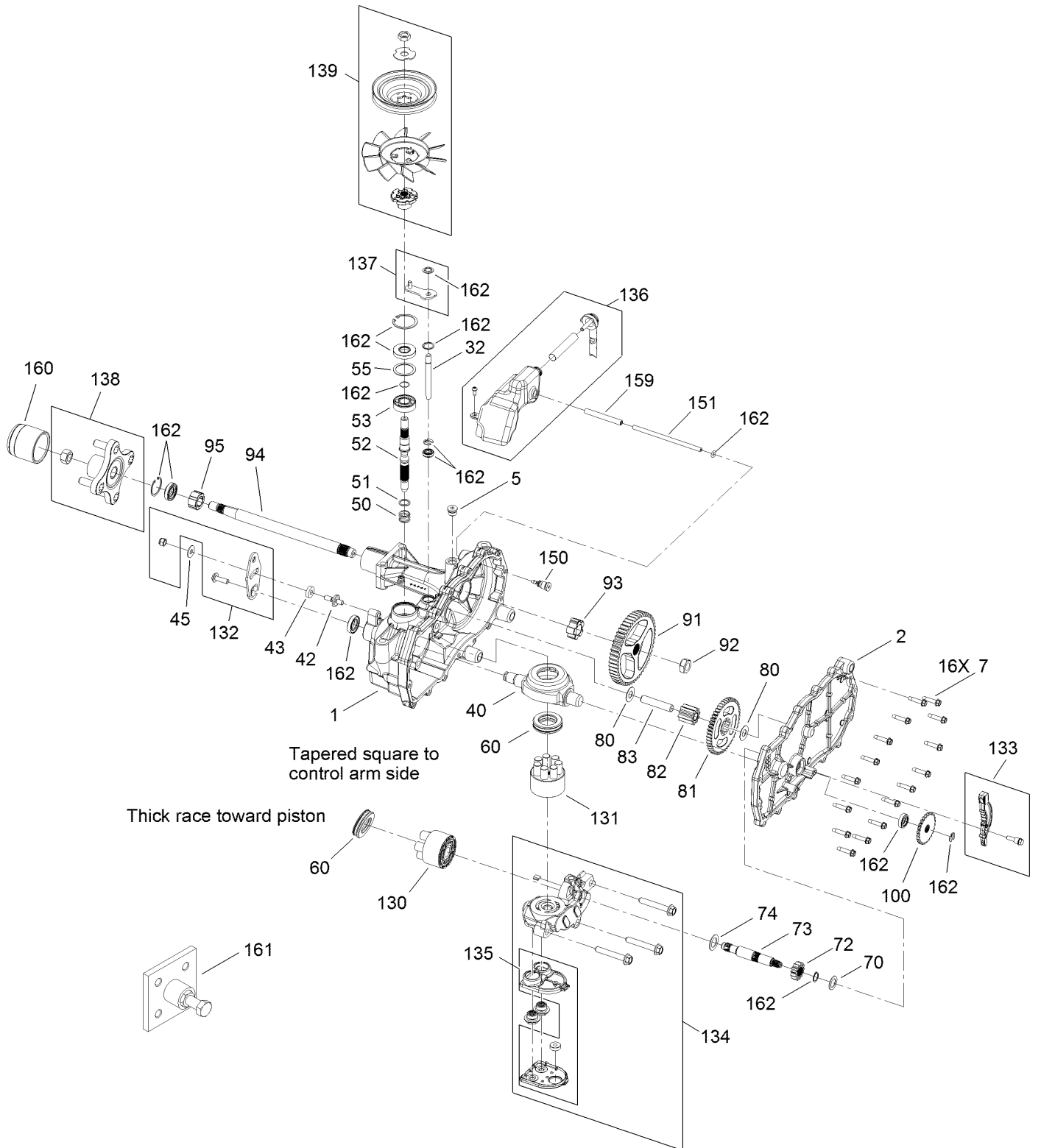


# Right Hand Hydro Transaxle Assembly No. 119-3331 (continued)

<i>Ref.</i>	<i>Part Number</i>	<i>Qty.</i>	<i>Description</i>	<i>Ref.</i>	<i>Part Number</i>	<i>Qty.</i>	<i>Description</i>
1	120-5531	1	Main Housing ASM	83	104-5329	1	Pin-Jackshaft
2	120-5533	1	Housing Side Kit	91	120-5539	1	Gear-Bull
5	104-2189	1	Plug-Thread, Straight	92	104-2142	1	Nut-HJ
7	117-5359	16	Screw-HHF	93	115-8314	1	Bushing-Inboard
13	104-2147	1	Sealant ●	94	120-5540	1	Shaft-Axle
32	106-8678	2	Rod-Bypass	95	120-5541	1	Bearing-Sleeve
40	104-5304	1	Swashplate-Trunnion	100	106-8694	1	Disc-Brake, Cog
42	104-2116	1	Stud	130	103-2666	1	Cylinder Block Kit
43	112-9853	1	Puck-Friction	131	110-8561	1	Pump Block ASM
45	114-8491	1	Washer	132	117-5362	1	Arm Control Kit
50	120-5537	1	Spring-Compression	133	106-8688	1	Brake Arm Kit
51	120-5538	1	Washer	134	112-9862	1	Center Section Filter Kit
52	104-5306	1	Shaft-Input	135	114-1634	1	Filter Kit
53	104-5311	1	Bearing-Ball	136	121-5735	1	LH Expansion Tank Kit
55	104-5308	1	Spacer	137	107-2489	1	Bypass Arm Kit
60	94-6922	1	Bearing-Thrust	138	121-5731	1	Hub Kit
70	104-5339	1	Washer-Flat	139	121-5729	1	Fan Pulley Kit
72	104-5316	1	Gear-Pinion, 13T	150	104-5349	1	Fitting-Sae
73	106-8683	1	Shaft-Motor	151	115-8302	1	Hose
74	104-5360	1	Washer	159	121-5728	1	Case-Tube
80	119-5541	2	Washer	160	125-0041	1	Cap-Axle
81	104-5317	1	Gear-10T/48T	161	114-8467	1	Hub-Puller, 4 Bolt
82	104-5318	1	Gear-Jackshaft, 10T	162	120-7103	1	Seal And Ring Kit

● Not illustrated

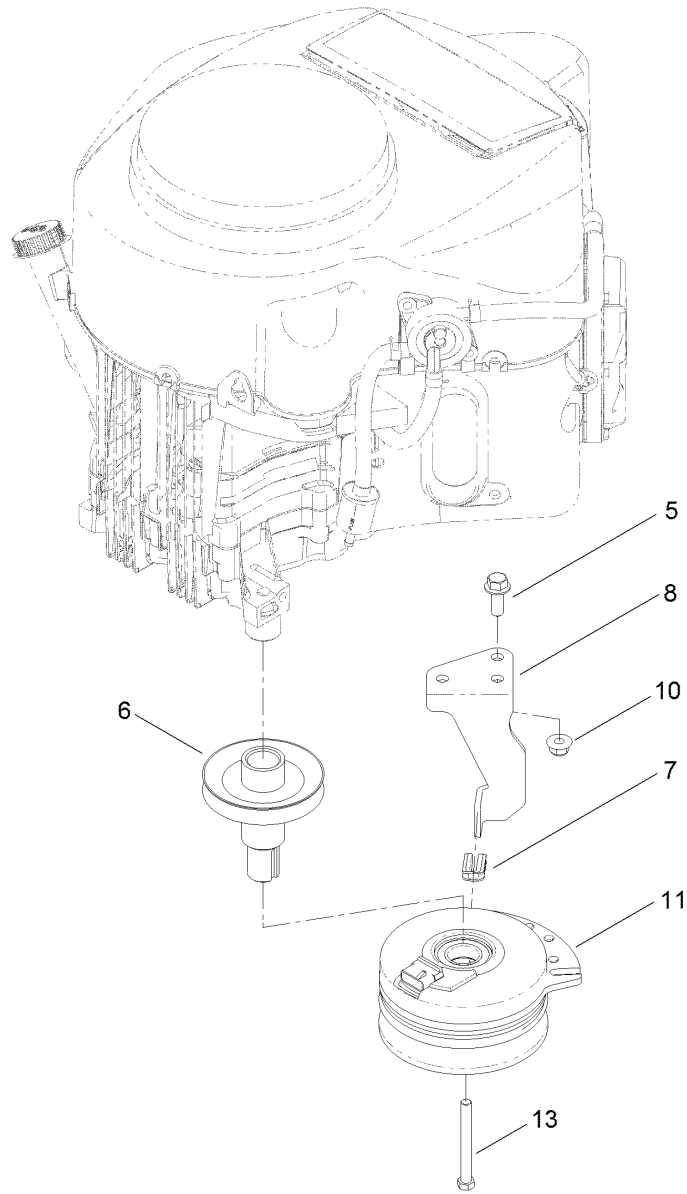
# Left Hand Hydro Transaxle Assembly No. 119-3330



# Left Hand Hydro Transaxle Assembly No. 119-3330 (continued)

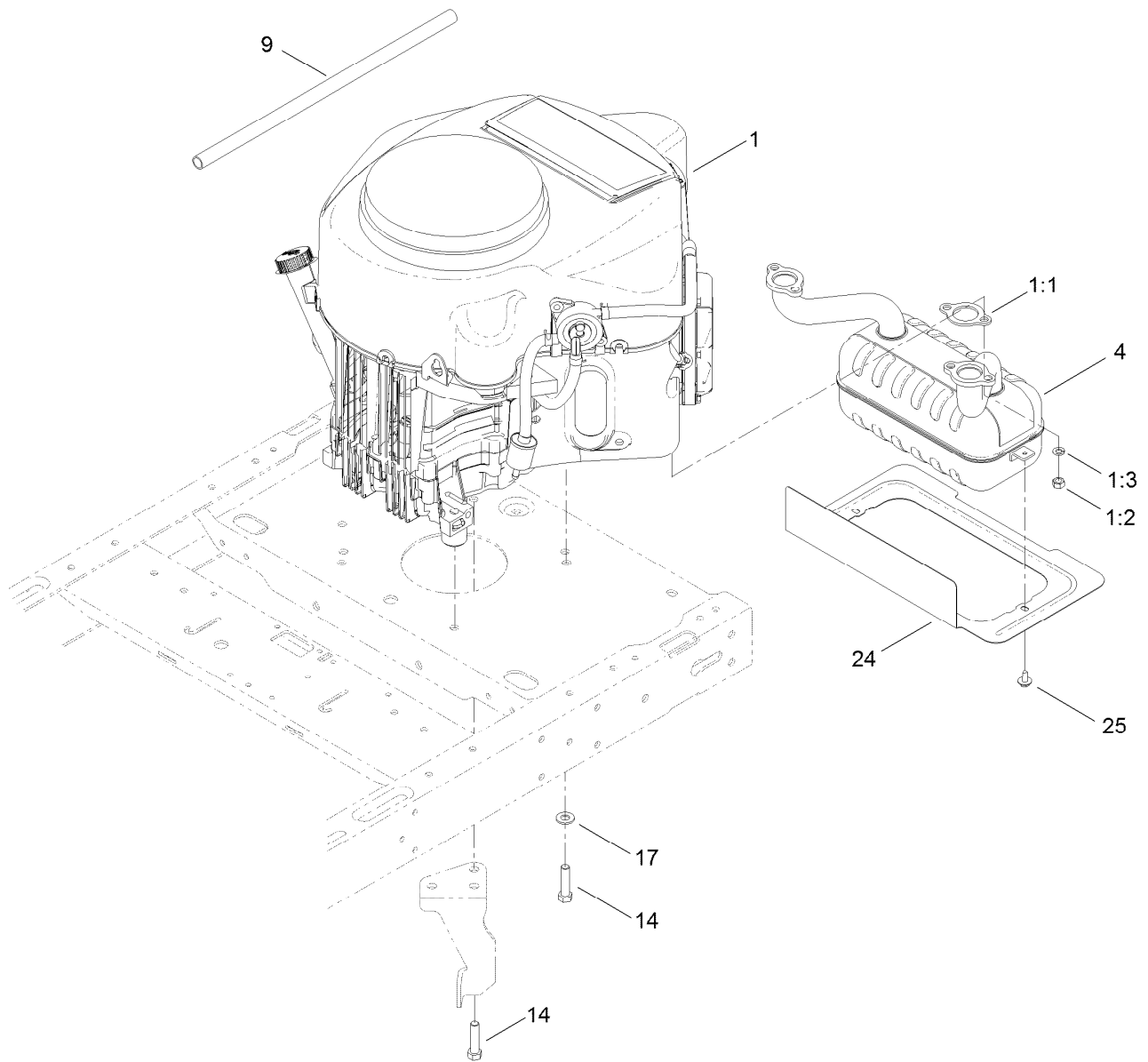
<i>Ref.</i>	<i>Part Number</i>	<i>Qty.</i>	<i>Description</i>	<i>Ref.</i>	<i>Part Number</i>	<i>Qty.</i>	<i>Description</i>
1	120-5532	1	Main Housing ASM	83	104-5329	1	Pin-Jackshaft
2	120-5534	1	Housing Side Kit	91	120-5539	1	Gear-Bull
5	104-2189	1	Plug-Thread, Straight	92	104-2142	1	Nut-HJ
7	117-5359	16	Screw-HHF	93	115-8314	1	Bushing-Inboard
13	104-2147	1	Sealant ●	94	120-5540	1	Shaft-Axle
32	106-8678	2	Rod-Bypass	95	120-5541	1	Bearing-Sleeve
40	104-5304	1	Swashplate-Trunnion	100	106-8694	1	Disc-Brake, Cog
42	104-2116	1	Stud	130	103-2666	1	Cylinder Block Kit
43	112-9853	1	Puck-Friction	131	110-8561	1	Pump Block ASM
45	114-8491	1	Washer	132	117-5362	1	Arm Control Kit
50	120-5537	1	Spring-Compression	133	106-8688	1	Brake Arm Kit
51	120-5538	1	Washer	134	112-9861	1	Center Section Filter Kit
52	104-5306	1	Shaft-Input	135	114-1634	1	Filter Kit
53	104-5311	1	Bearing-Ball	136	121-5730	1	RH Expansion Tank Kit
55	104-5308	1	Spacer	137	120-5549	1	Bypass Kit
60	94-6922	1	Bearing-Thrust	138	121-5731	1	Hub Kit
70	104-5339	1	Washer-Flat	139	121-5729	1	Fan Pulley Kit
72	104-5316	1	Gear-Pinion, 13T	150	104-5349	1	Fitting-Sae
73	106-8683	1	Shaft-Motor	151	115-8302	1	Hose
74	104-5360	1	Washer	159	121-5728	1	Case-Tube
80	119-5541	2	Washer	160	125-0041	1	Cap-Axle
81	104-5317	1	Gear-10T/48T	161	114-8467	1	Hub-Puller, 4 Bolt
82	104-5318	1	Gear-Jackshaft, 10T	162	120-7103	1	Seal And Ring Kit

● Not illustrated



## Clutch Assembly

<i>Ref.</i>	<i>Part Number</i>	<i>Qty.</i>	<i>Description</i>
5	3234-42	1	Screw-HHF
6	119-3318	1	Pulley-Engine
7	120-2217	1	Isolator-Clutch
8	119-8884	1	Stop-Clutch
10	104-8301	1	Nut-Flange, NI
11	117-7468	1	Clutch-Electric
13	3212-16	1	Screw-HH

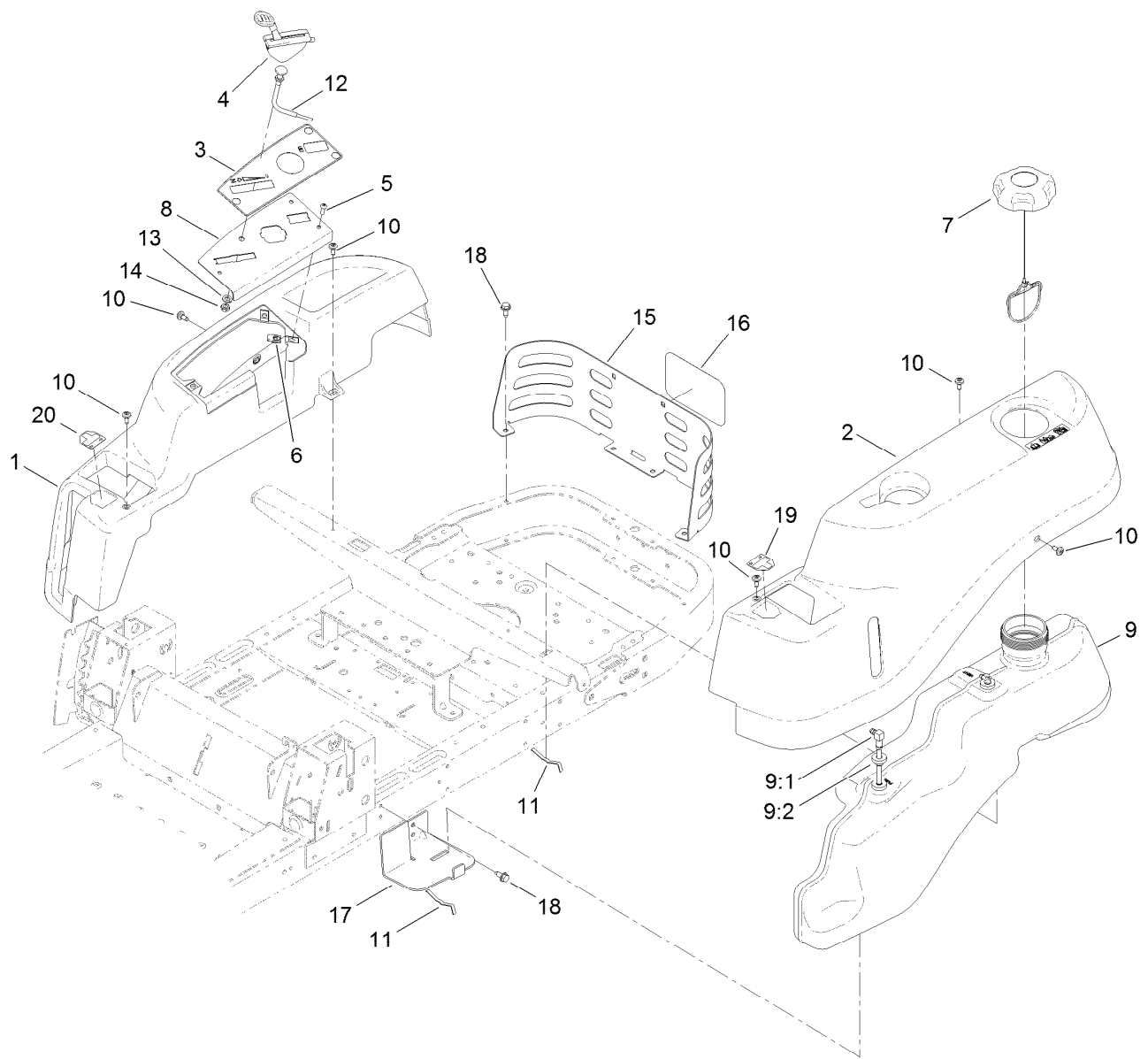


## Engine and Muffler Assembly

Ref.	Part Number	Qty.	Description
1		1	Engine-Kawasaki, Fr600V ●■
1:1	1-653313	2	Gasket-Exhaust
1:2	114-3549	4	Nut
1:3	114-3550	4	Washer-Lock, Spring
4	116-2450	1	Muffler-Kawasaki
9	106-7022	1	Tube-Drain, Oil
14	323-50	4	Bolt-HH
17	3256-24	3	Washer-Flat
24	121-2973-03	1	Shield-Heat
25	46-8560	2	Screw-HHFTF

● Not serviced separately

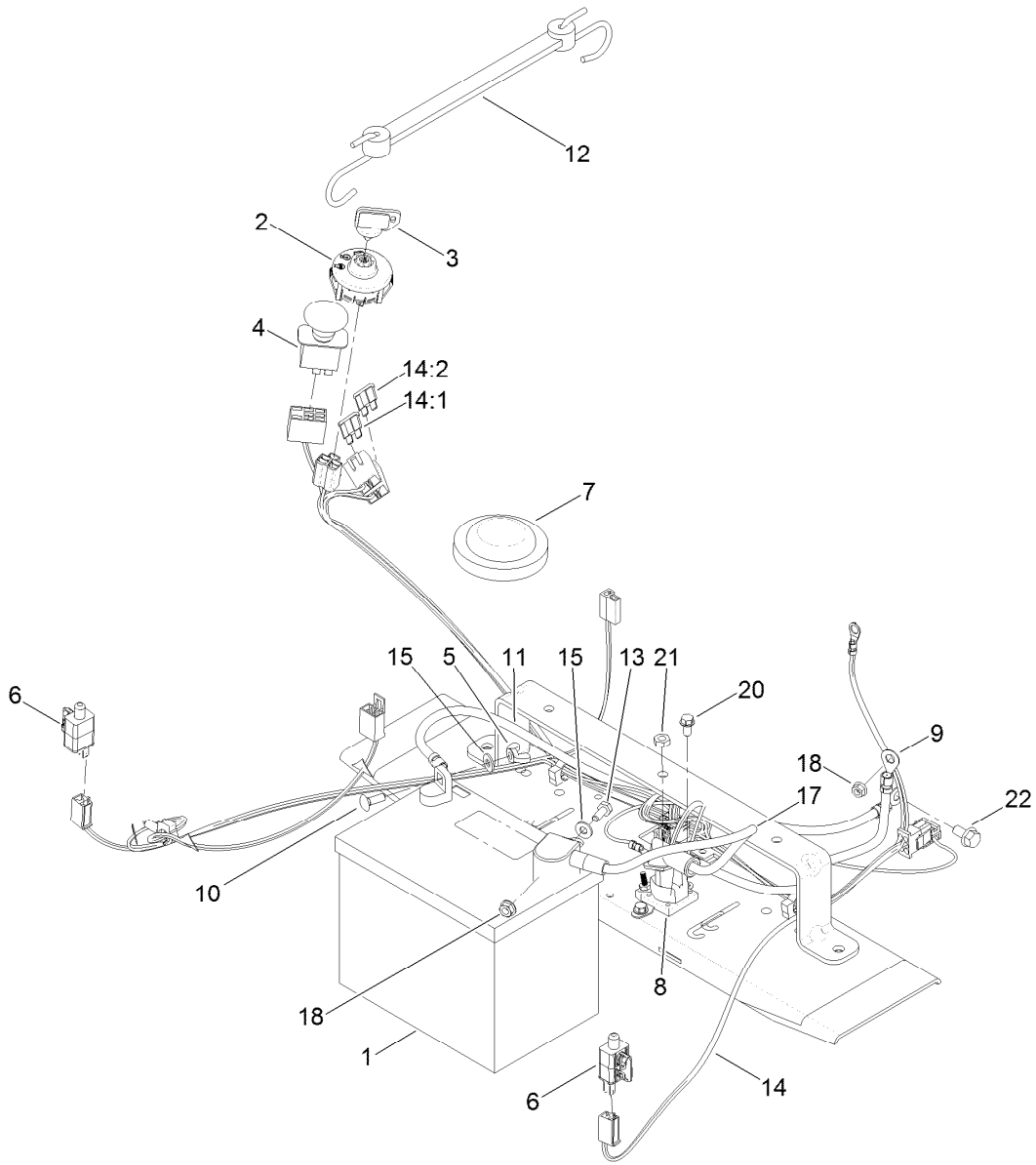
■ Obtain parts from [www.kawpowerpc.com](http://www.kawpowerpc.com)



## Body Styling and Fuel Pod Assembly

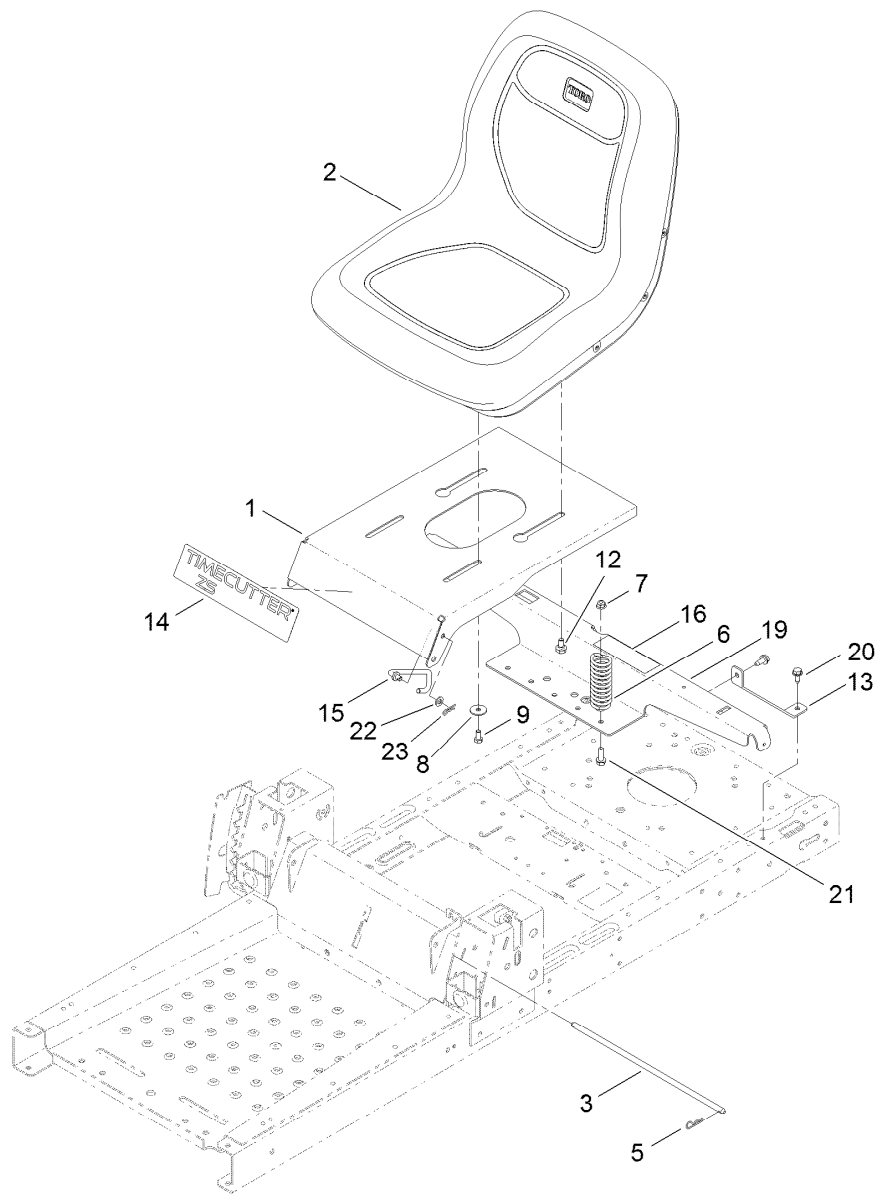
<i>Ref.</i>	<i>Part Number</i>	<i>Qty.</i>	<i>Description</i>	<i>Ref.</i>	<i>Part Number</i>	<i>Qty.</i>	<i>Description</i>
1	119-3335	1	Pod-RH	10	120-7950	6	Screw-Shoulder
2	119-3334	1	Pod-LH	11	609830	2	Spring
3	121-0772	1	Decal-Panel, Control	12	112-9753	1	Cable-Choke
4	121-0769	1	Cable-Throttle	13	3253-21	1	Washer-Lock
5	3258-166	3	Screw-PRH	14	3220-3	1	Nut-HJ
6	107069	3	Clip	15	119-8855-03	1	Guard-Rear
7	120-5461	1	Cap-Fuel, Ratcheting	16	105-8278	1	Decal
8	119-3378-03	1	Plate-Control	17	119-3476-03	1	Support-Tank, Front
9	119-3324	1	Fuel Tank ASM	18	32144-70	6	Screw-HWHTF
9:1	121-0793	1	Connector-Elbow, 90 DEG	19	119-8814	1	Decal-Control Lever, LH
9:2	46-6560	2	Bushing	20	119-8815	1	Decal-Control Lever, RH





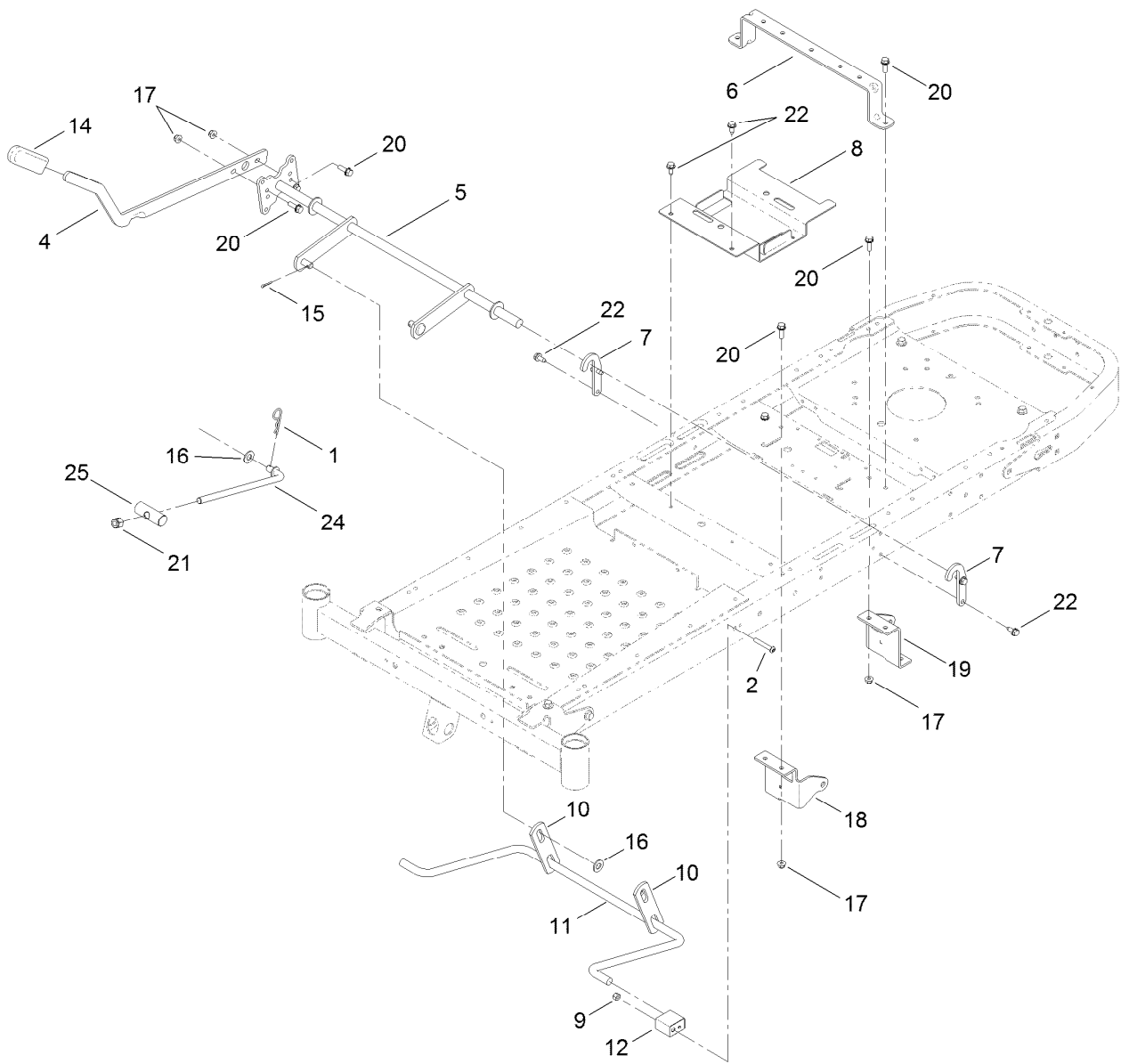
## Battery and Electrical Assembly

<i>Ref.</i>	<i>Part Number</i>	<i>Qty.</i>	<i>Description</i>	<i>Ref.</i>	<i>Part Number</i>	<i>Qty.</i>	<i>Description</i>
1	105-1692	1	Battery	12	104-2466	1	Holddown-Battery
2	117-2221	1	Switch-Ignition	13	321-3	1	Screw-HH
3	63-8360	1	Key-Ignition (W/Shield)	14	121-5652	1	Harness-Wire
4	103-5221	1	Switch-PTO	14:1	109103	1	Fuse-Blade, 30 Amp
5	32103-22	1	Nut-Wing	14:2	109102	1	Fuse-Blade, 25 Amp
6	110-6765	2	Switch-Single Pole No	15	3256-22	2	Washer-Flat
7	100-3524	1	Switch-Seat	17	119-8897	1	Cable-Battery, Red
8	117-1197	1	Solenoid	18	32128-33	2	Nut-HF
9	119-8898	1	Cable-Battery, Red	20	32144-4	2	Screw-HWH
10	3229-1	1	Bolt-CARR	21	3220-2	2	Nut-Jam
11	119-8899	1	Cable-Battery, Black	22	33104-016	1	Screw-HHF



## Seat Assembly

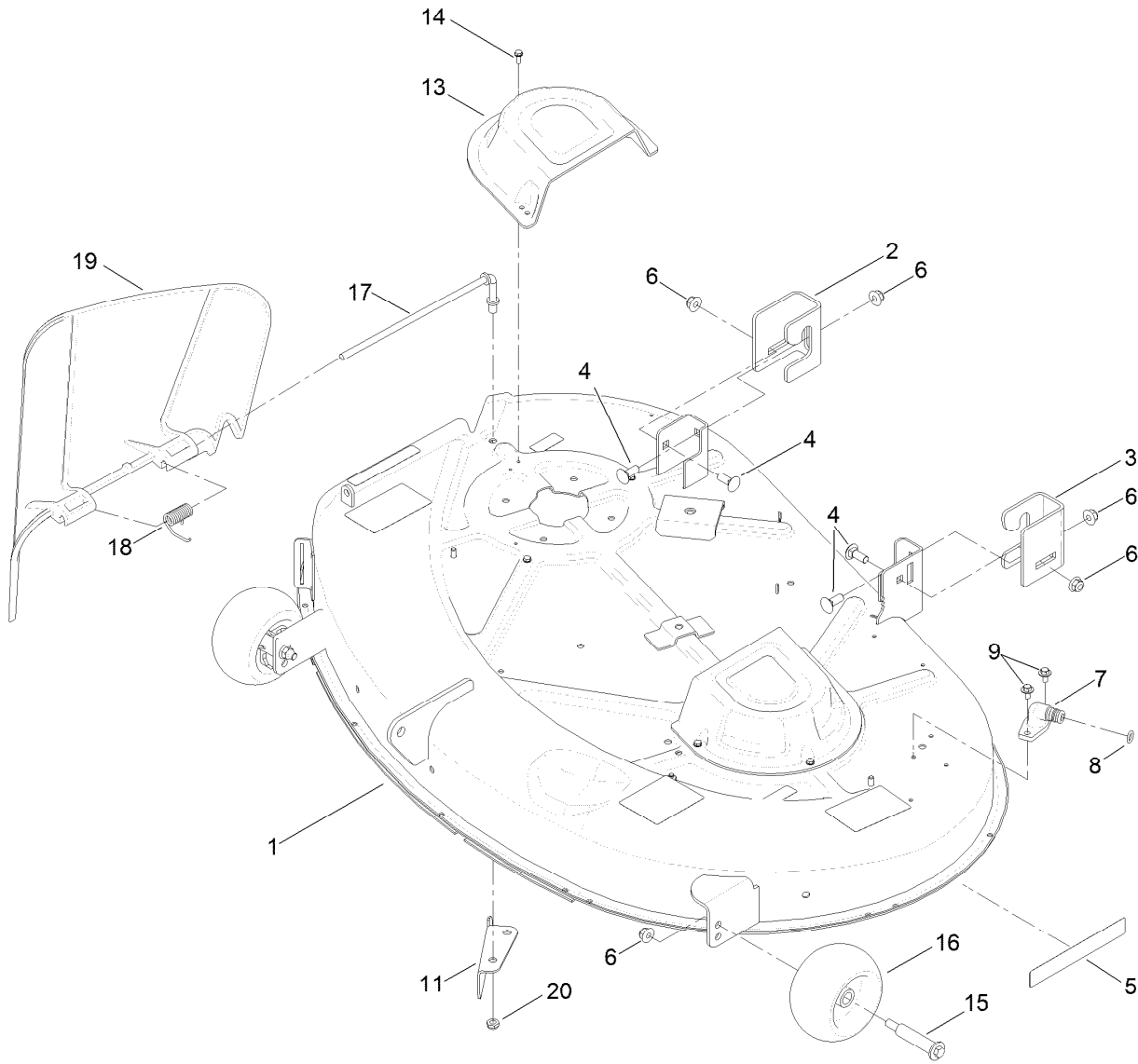
<i>Ref.</i>	<i>Part Number</i>	<i>Qty.</i>	<i>Description</i>	<i>Ref.</i>	<i>Part Number</i>	<i>Qty.</i>	<i>Description</i>
1	119-3391-01	1	Pan-Seat	13	119-3431-03	2	Support-Tank, Rear
2	119-8829	1	Seat-18 Inch	14	121-3034	1	Decal-Timecutter
3	119-3433	1	Rod-Pivot, Narrow	15	119-8972	1	Stop-Seat
5	3290-250	2	Pin-Hair	16	106-8717	1	Decal-Service
6	92-7054	3	Spring-Compression	19	121-0732-03	1	Support-Pod
7	104-8300	3	Nut-Flange, NI	20	32144-70	4	Screw-HWHTF
8	5-4460	2	Washer-Pivot	21	3234-29	3	Screw-HHF
9	322-2	2	Screw-HH	22	3256-23	1	Washer-Flat
12	37-8771	2	Bolt-Shoulder	23	3290-307	1	Pin-Hair



## Deck Lift Assembly

<i>Ref.</i>	<i>Part Number</i>	<i>Qty.</i>	<i>Description</i>
1	1-806005	1	Pin-Hair
2	120-5499	2	Screw-HSBH
4	119-3427-03	1	Lever-Lift
5	117-7346-03	1	Lift-Deck
6	119-3435-03	1	Brace-Seat, Rear
7	119-8875	2	Bracket-Lift
8	119-3406-03	1	Bracket-Battery
9	3296-29	2	Nut-Lock, NI
10	108-7840	2	Link-Lift
11	108-7839	1	Arm-Lift, Rear
12	108-7845	2	Block-Pivot

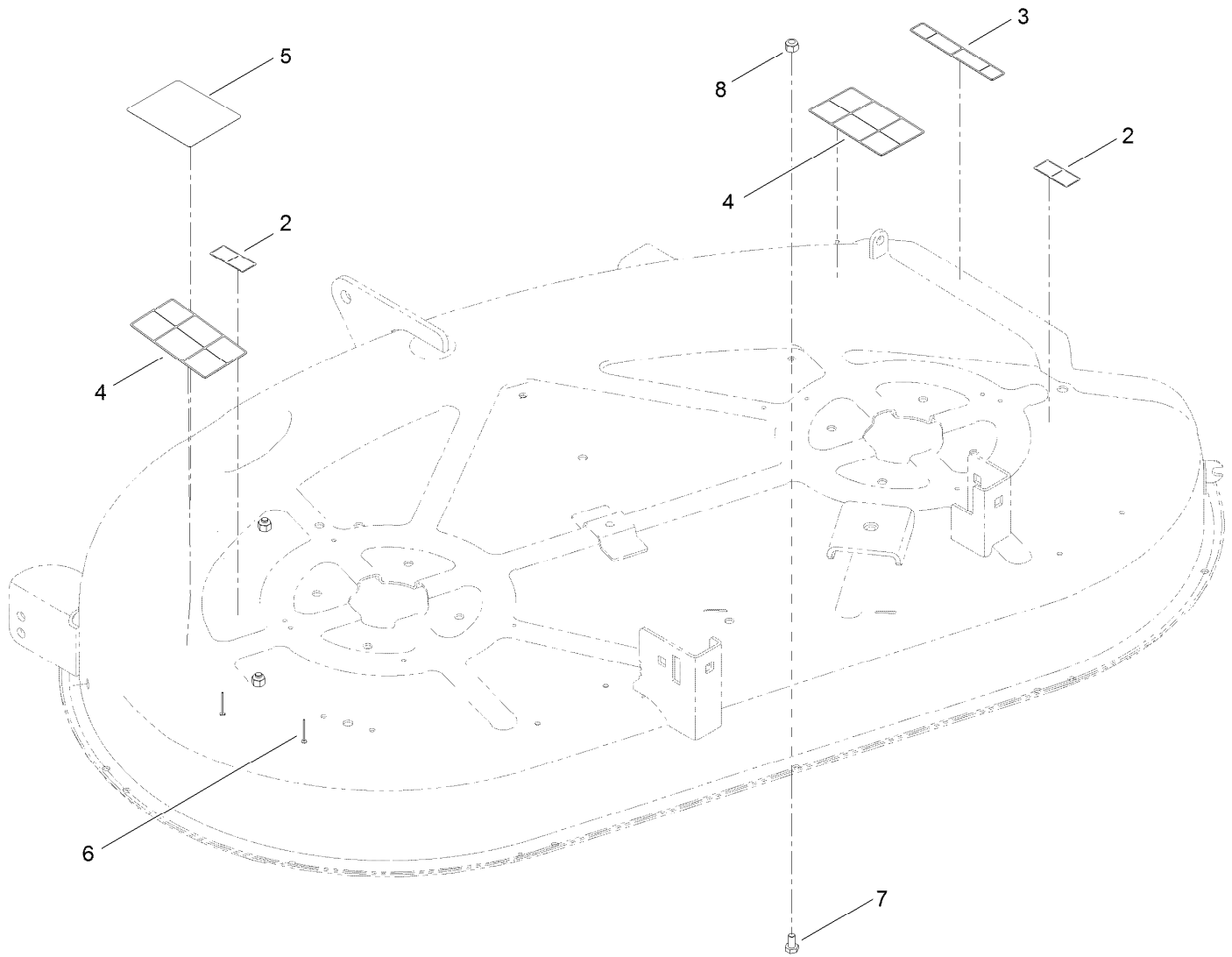
<i>Ref.</i>	<i>Part Number</i>	<i>Qty.</i>	<i>Description</i>
14	1-633268	1	Grip-Lever
15	3272-10	2	Pin-Cotter
16	3256-26	3	Washer-Flat
17	104-8300	6	Nut-Flange, NI
18	119-8861-01	1	Mount-Hydro, Front RH
19	119-8862-01	1	Mount-Hydro, Front LH
20	3234-29	6	Screw-HHF
21	3296-19	1	Nut-Hex
22	32144-70	6	Screw-HWHTF
24	104-8047	1	Rod-Trunion
25	119-8810	1	Pin-Pivot



## 42 Inch Deck Assembly

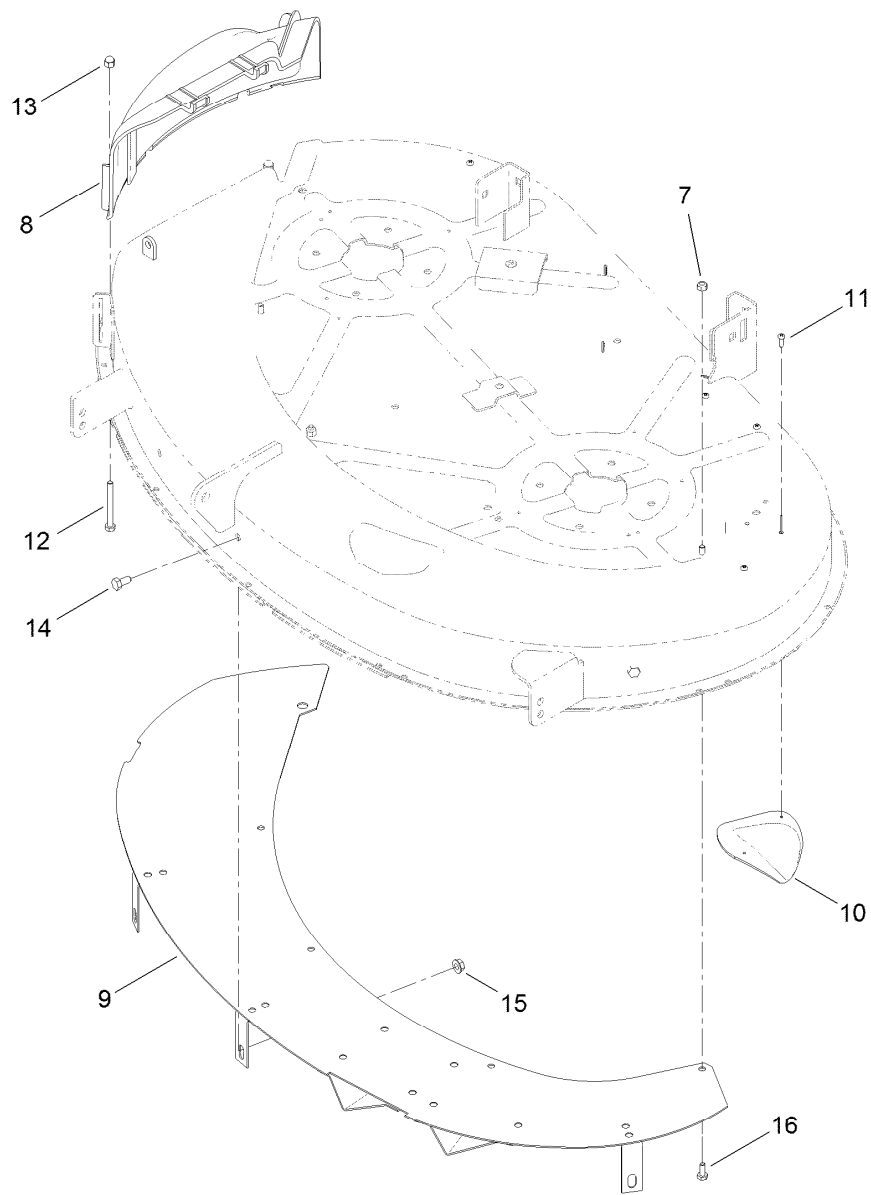
<i>Ref.</i>	<i>Part Number</i>	<i>Qty.</i>	<i>Description</i>
1	119-8840	1	42 Inch Deck And Decal ASM
2	119-3494	1	Bracket-Hanger, RH
3	119-3496	1	Bracket-Hanger, LH
4	3231-2	4	Bolt-CARR
5	119-2368	1	Decal-Recycler
6	104-8301	6	Nut-Flange, NI
7	95-2747	1	Fitting-Washout
8	46-6290	1	O-Ring, Seal
9	46-8560	2	Screw-HHFTF

<i>Ref.</i>	<i>Part Number</i>	<i>Qty.</i>	<i>Description</i>
11	112-3983-03	1	Baffle-Cutoff
13	108-7889	2	Cover-Belt
14	32144-1	6	Screw-Taptite
15	112-3977	2	Bolt-Shoulder
16	1-603299	2	Roller-Scalp, Anti
17	112-4026	1	Rod-Pivot
18	110-6694	1	Spring-Torsion
19	112-3951	1	Deflector
20	3296-59	1	Nut-Lock, NI



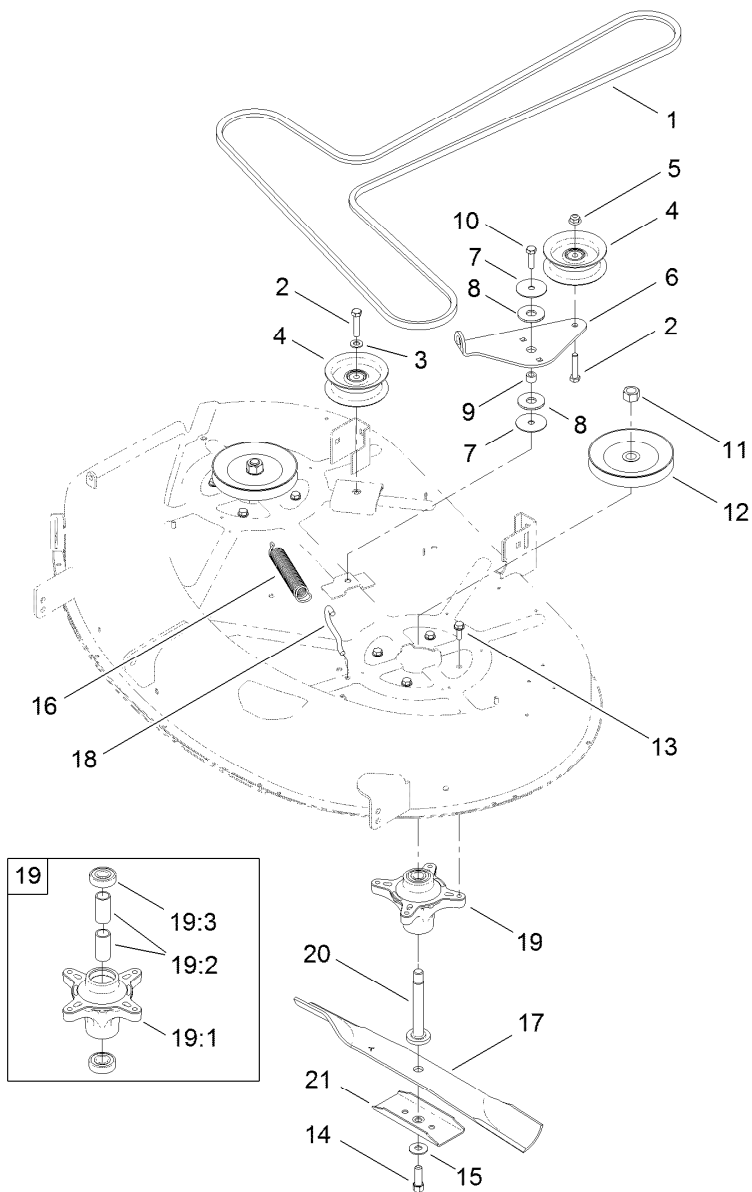
## 42 Inch Deck Assembly No. 119-8840

<i>Ref.</i>	<i>Part Number</i>	<i>Qty.</i>	<i>Description</i>
2	114-1606	2	Decal-Danger
3	93-7009	1	Decal-Danger, Deflector
4	110-6691	2	Decal-Danger
5	105-7015	1	Decal-Routing, Belt
6	3290-282	2	Rivet-Blind
7	321-2	3	Screw-HH
8	3296-42	3	Nut-Lock, NI



## 42 Inch Deck Baffle Assembly

<i>Ref.</i>	<i>Part Number</i>	<i>Qty.</i>	<i>Description</i>
7	3296-42	1	Nut-Lock, NI
8	110-6682	1	Cover-Discharge
9	107-7316-03	1	Baffle Upper ASM
10	76-2160	3	Plate-Kicker
11	32144-111	6	Screw-PPH
12	321-15	2	Screw-HH
13	32111-7	2	Nut-Cap
14	322-2	3	Screw-HH
15	32128-25	3	Nut-HF
16	321-3	4	Screw-HH



## 42 Inch Deck, Belt and Blade Assembly

<i>Ref.</i>	<i>Part Number</i>	<i>Qty.</i>	<i>Description</i>	<i>Ref.</i>	<i>Part Number</i>	<i>Qty.</i>	<i>Description</i>
1	119-8819	1	V-Belt	13	32144-41	8	Screw-Taptite
2	323-9	2	Screw-HH	14	26-0671	2	Screw-HH
3	3256-24	1	Washer-Flat	15	3290-465	2	Washer-Belleville
4	106-2175	2	Pulley-Idler, Flat	16	106-2177	1	Spring-Extension
5	104-8301	1	Nut-Flange, NI	17	106-2247-03	2	Blade
6	114-8540	1	Arm-Idler	18	88-5970	1	Hook-Return, Spring
7	120-2229	2	Washer-Idler Pivot	19	121-0751	2	Spindle ASM
8	114-0463	2	Washer-Friction, Composite	19:1	117-7267	1	Spindle
9	115-4986	1	Spacer	19:2	120-7935	2	Spacer
10	323-7	1	Screw-HH	19:3	100-1048	2	Bearing-Ball
11	3219-6	2	Nut-Hex	20	117-7268	2	Shaft-Spindle
12	110-6864	2	Pulley	21	106-2248-03	2	Stiffener-Blade

# Attachments and Accessories

## For 74386 TimeCutter ZS 4200 Riding Mower

<b>Product Name</b>	<b>Model/Part</b>
42in Blowout Ring Kit.....	114-1620
Hourmeter Kit, 2011 and After TimeCutter Riding Mower.....	120-5498
Belt Guard Kit.....	120-7780
Striping Kit, 42in and 50in Mowers.....	120-7905
Foot Assist Deck Lift Kit, 2011 and After Zero-Turn-Radius Riding Mower.....	79010
Sunshade Kit, 2011 and After Zero-Turn-Radius Riding Mower.....	79011
Hitch Kit.....	79014
Floor Mat Kit, 2011 and After Zero-Turn-Radius Riding Mower w/ 32in or 42in Cutting Unit.....	79020
Cargo Carrier.....	79030
Front Weight Kit.....	79031
42in Replacement Blade Kit.....	79220
Storage Cover.....	79317
42in Bagger, 2011 and After TimeCutter 4000 Series Riding Mower.....	79334
10 cu. ft. Poly Dump Cart.....	79991

**Notes:**

**Notes:**



**Count on it.**