



Count on it.

Parts Catalog

**TimeCutter® MX 5060 Riding
Mower**

Model No. 74641—Serial No. 313000001 and Up



Ordering Replacement Parts

To order replacement parts, please supply the part number, the quantity, and the description of each part desired.

Understanding Reference Numbers

Each identified part in an illustration has a reference number. The reference number for a part also appears in the parts list, along with other information about the part.

This catalog uses two special reference number formats, one to indicate parts in a service assembly and another to indicate the quantity of a given part in an illustration.

Service Assembly Reference Numbers

Parts in service assemblies have reference numbers in the form a:b. The a represents the reference number of the entire service assembly and the b represents a sequential number unique to each part within the service assembly.

For example, a wheel assembly might be identified by reference number 6, the tire by 6:1, the valve by 6:2, and the wheel by 6:3. When you order the assembly identified by reference number 6, you receive all parts identified by reference numbers 6:1, 6:2, and 6:3. However, you may also order any part individually. Reference numbers of this type appear in illustration and in parts lists.

Reference Numbers Indicating Quantity

In an illustration, if a reference number indicates more than one part, the reference number has the form nX y. The n represents the quantity of the part, the X is the multiplication symbol, and the y represents the reference number.

For example, in an illustration, the reference number 2X 37 means that two of the parts identified by reference number 37 are indicated.

List of Abbreviations

AR: as required

ASM: assembly

BBC: blade brake control

BHTF: button head thread forming

CARR: carriage

CCW: counter clockwise

CW: clockwise

DEG: degrees

DPA: Dual Point Adjustment

ECM: electronic control module

EXT: external

FH: flat head

GA: gauge

HD: heavy-duty

HF: hex flange

HH: hex head

HHF: hex head flange

HHFTF: hex head flange thread forming

HJ: hex jam

HLH: hex lag head

HOC: height-of-cut

HSBH: hex socket button head

HSFH: hex socket flat head

HSH: hex socket head

HWH: hex washer head

HWHTF: hex washer head thread forming

HYD: hydraulic

LH: left hand

LP: Liquefied Petroleum Gas

LPG: Liquefied Petroleum Gas

NI: nylon insert

NPTF: national pipe thread fine

PFH: phillips flat head

PPH: phillips pan head

PPHTF: phillips pan head thread forming

PRH: phillips round head

PTH: phillips truss head

PTO: power-take-off

RH: right hand

ROPS: roll-over protection system

RRB: rear roller brush

SFH: slotted fillister head

SHH: slotted hex head

SHWH: slotted hex washer head

SPH: slotted pan head

SQH: square head

SRH: slotted round head

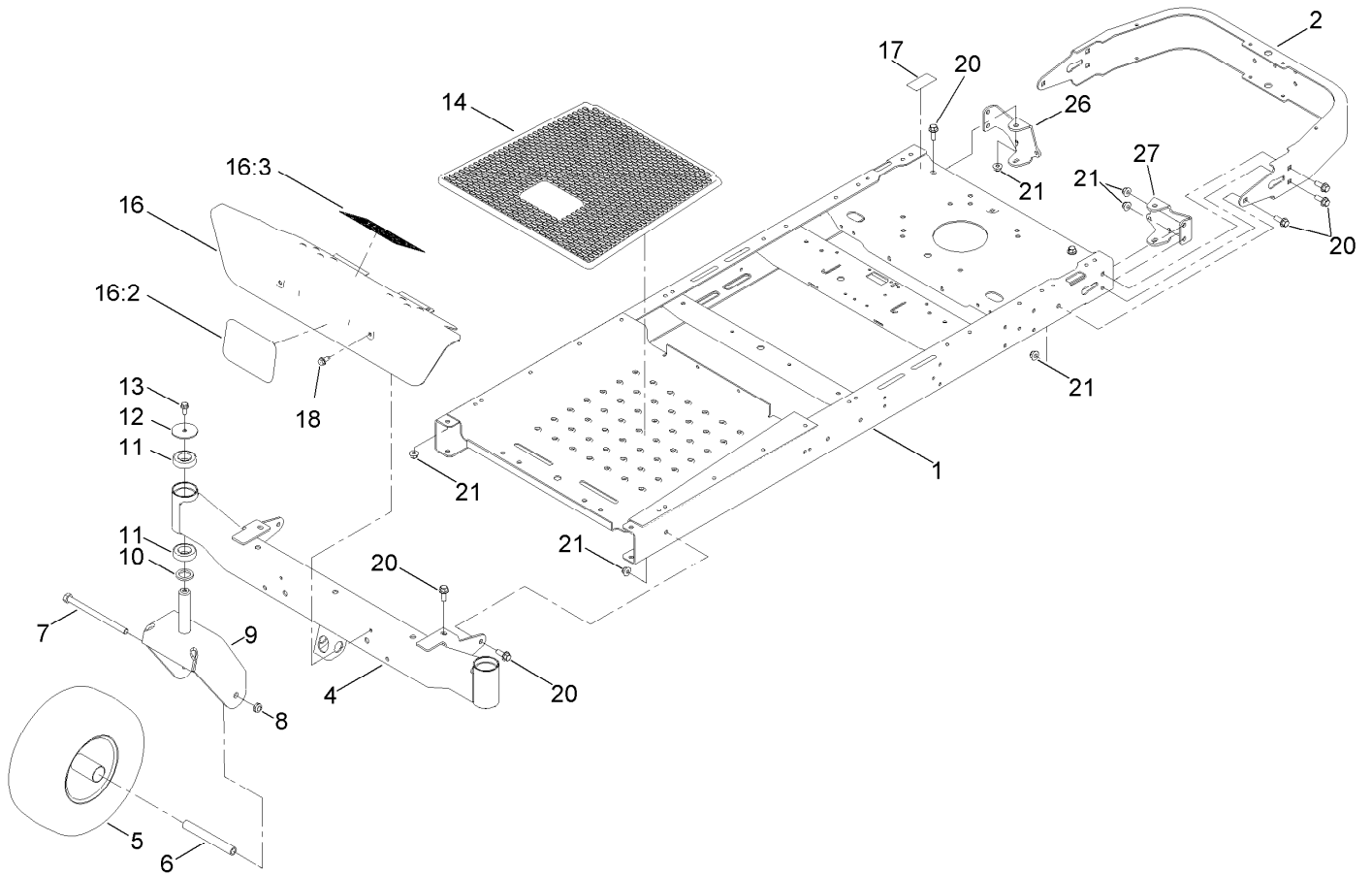
STD: standard

TAP: self tapping

TTH: torx truss head

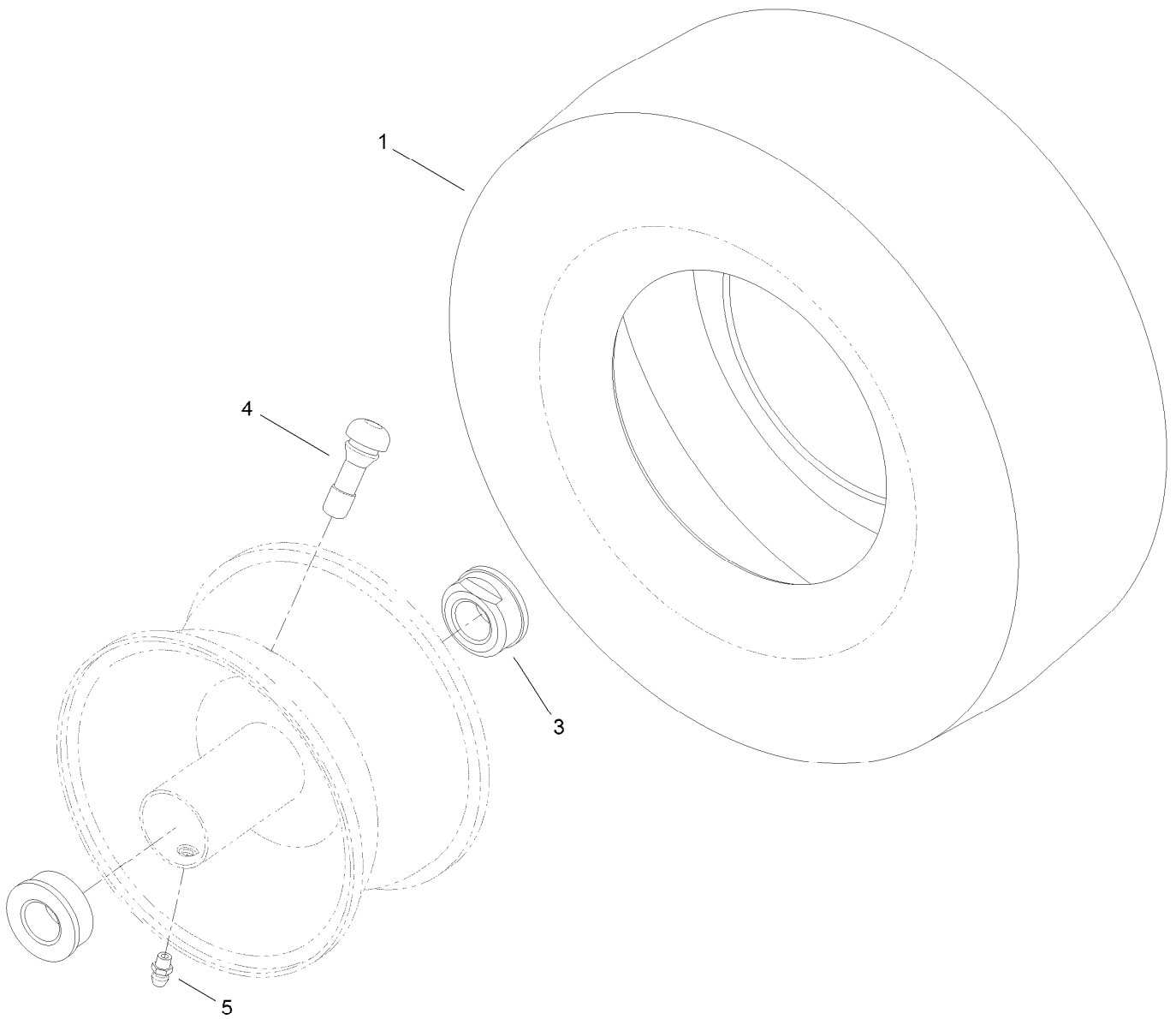
Contents

Frame, Front Axle and Caster Wheel Assembly	4
13 Inch Wheel and Tire Assembly No. 119-3473	5
Motion Control Assembly	6
Belt and Pulley Assembly	8
Hydro Transaxle Drive and Rear Wheel Assembly	9
Right Hand Hydro Transaxle Assembly No. 119-3361	10
Left Hand Hydro Transaxle Assembly No. 119-3360	12
Clutch Assembly	14
Engine and Muffler Assembly	15
Body Styling and Fuel Pod Assembly	16
Fuel Delivery Assembly	17
Battery and Electrical Assembly	18
Seat Assembly	19
Deck Lift Assembly	20
50 Inch Deck Assembly	21
50 Inch Deck and Decal Assembly No. 121-0734	22
50 Inch Deck Belt, Spindle and Blade Assembly	23
Attachments and Accessories	24



Frame, Front Axle and Caster Wheel Assembly

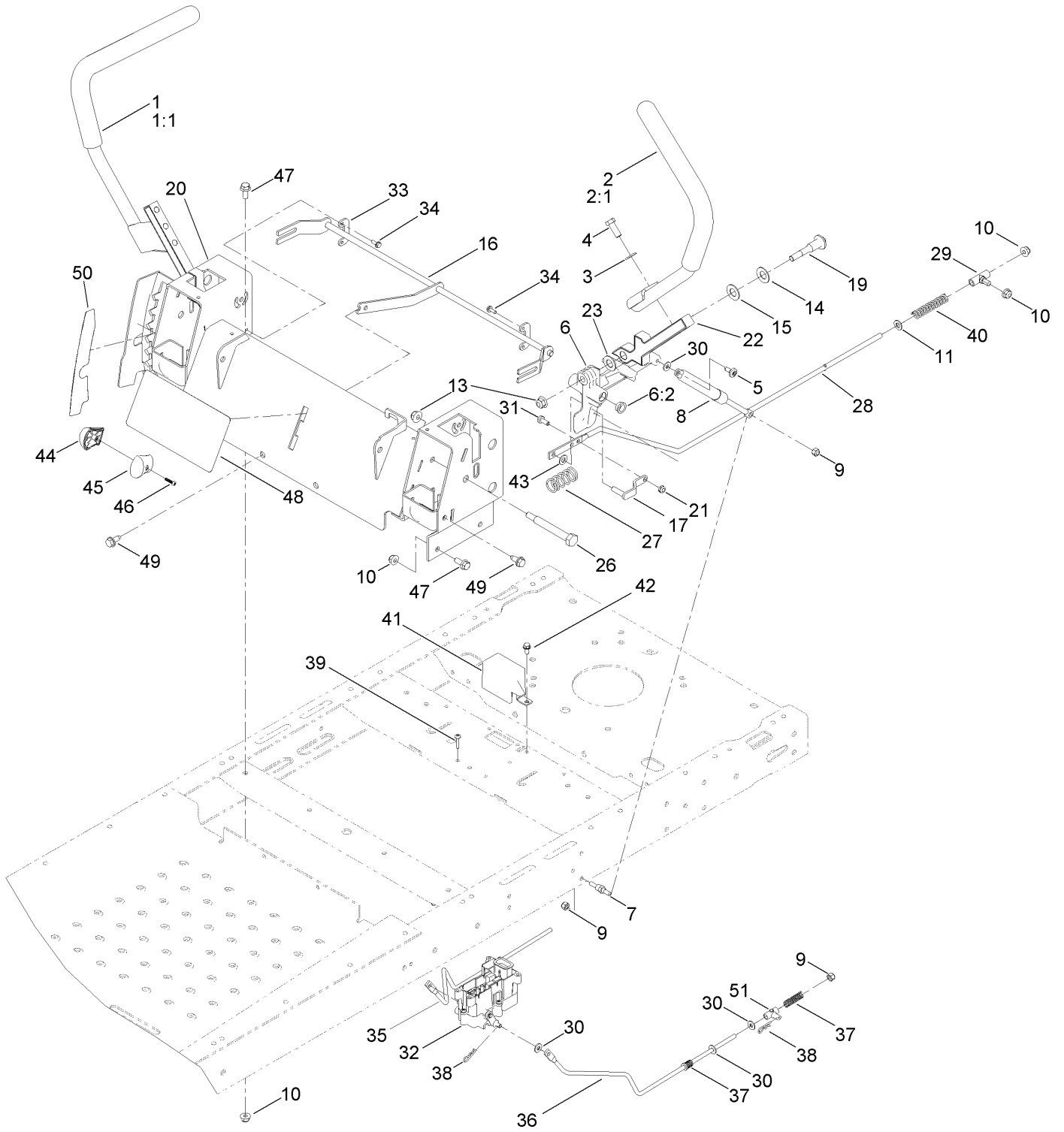
<i>Ref.</i>	<i>Part Number</i>	<i>Qty.</i>	<i>Description</i>	<i>Ref.</i>	<i>Part Number</i>	<i>Qty.</i>	<i>Description</i>
1	120-7963-01	1	Frame ASM	13	3234-47	2	Screw-HHF
2	117-7415-01	1	Bumper-Rear (Wide)	14	120-5454	1	Mat-Floor
4	121-5683-01	1	Front Axle ASM (Wide)	16	125-0074	1	Footrest ASM
5	119-3473	2	13 Inch Wheel And Tire ASM	16:2	99-4693	1	Decal
6	119-3475	2	Spanner	16:3	120-2239	1	Decal-Danger
7	325-37	2	Screw-HH	17	121-2989	2	Decal-Bypass
8	3296-45	2	Nut-Lock, NI	18	32144-70	2	Screw-HWHTF
9	119-3349-01	2	Fork-Caster, Wide	20	3234-42	14	Screw-HHF
10	117-7394	2	Washer-Thrust	21	104-8301	14	Nut-Flange, NI
11	109-3678	4	Bearing-Ball	26	121-0737-01	1	Mount-Hydro, Rear RH
12	119-8915	2	Washer	27	121-0738-01	1	Mount-Hydro, Rear LH



13 Inch Wheel and Tire Assembly No. 119-3473

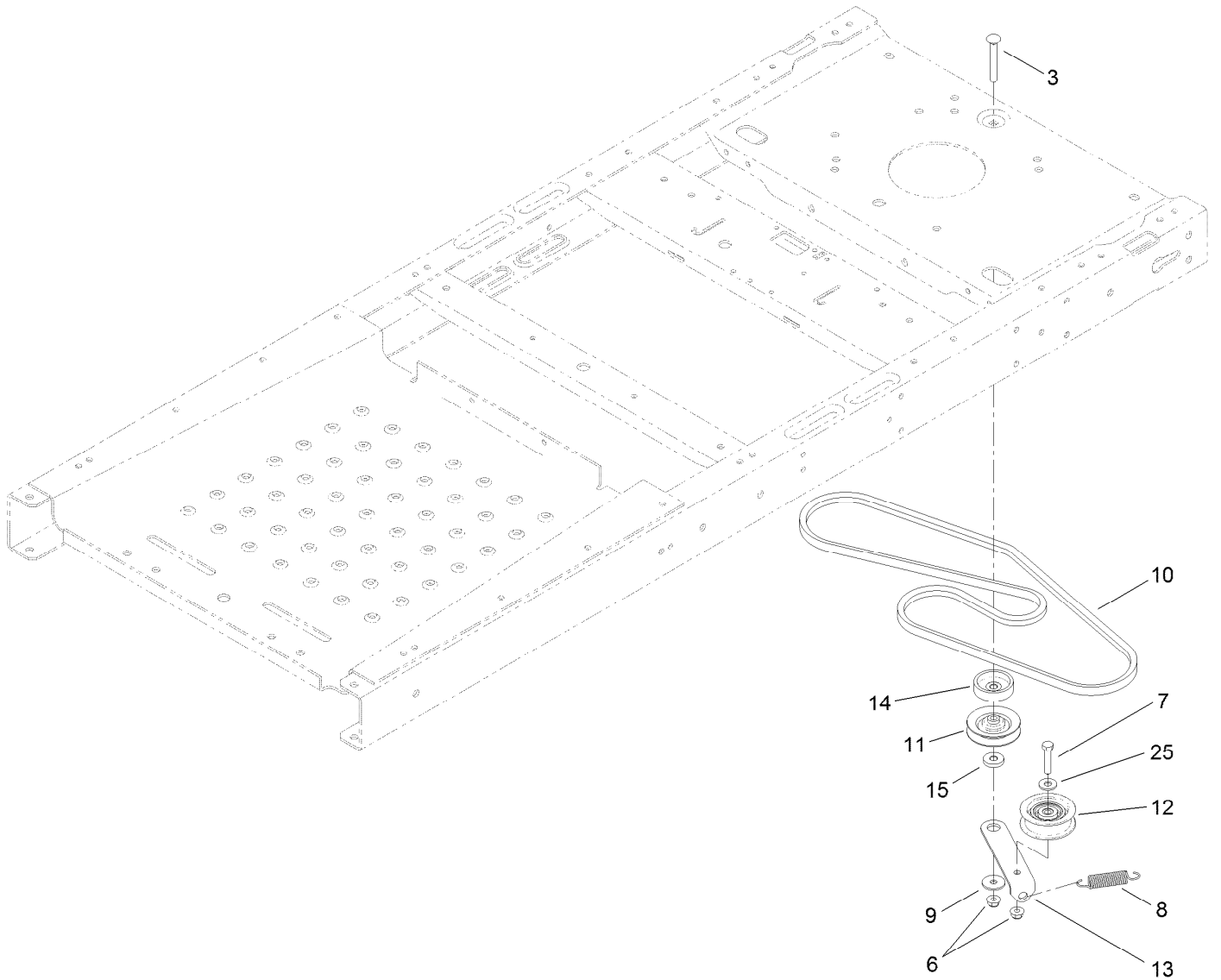
<i>Ref.</i>	<i>Part Number</i>	<i>Qty.</i>	<i>Description</i>
1	119-3471	1	Tire-13 Inch
3	114-1640	2	Bushing-Flange
4	232-27	1	Stem-Valve
5	302-5	1	Fitting-Grease

Motion Control Assembly



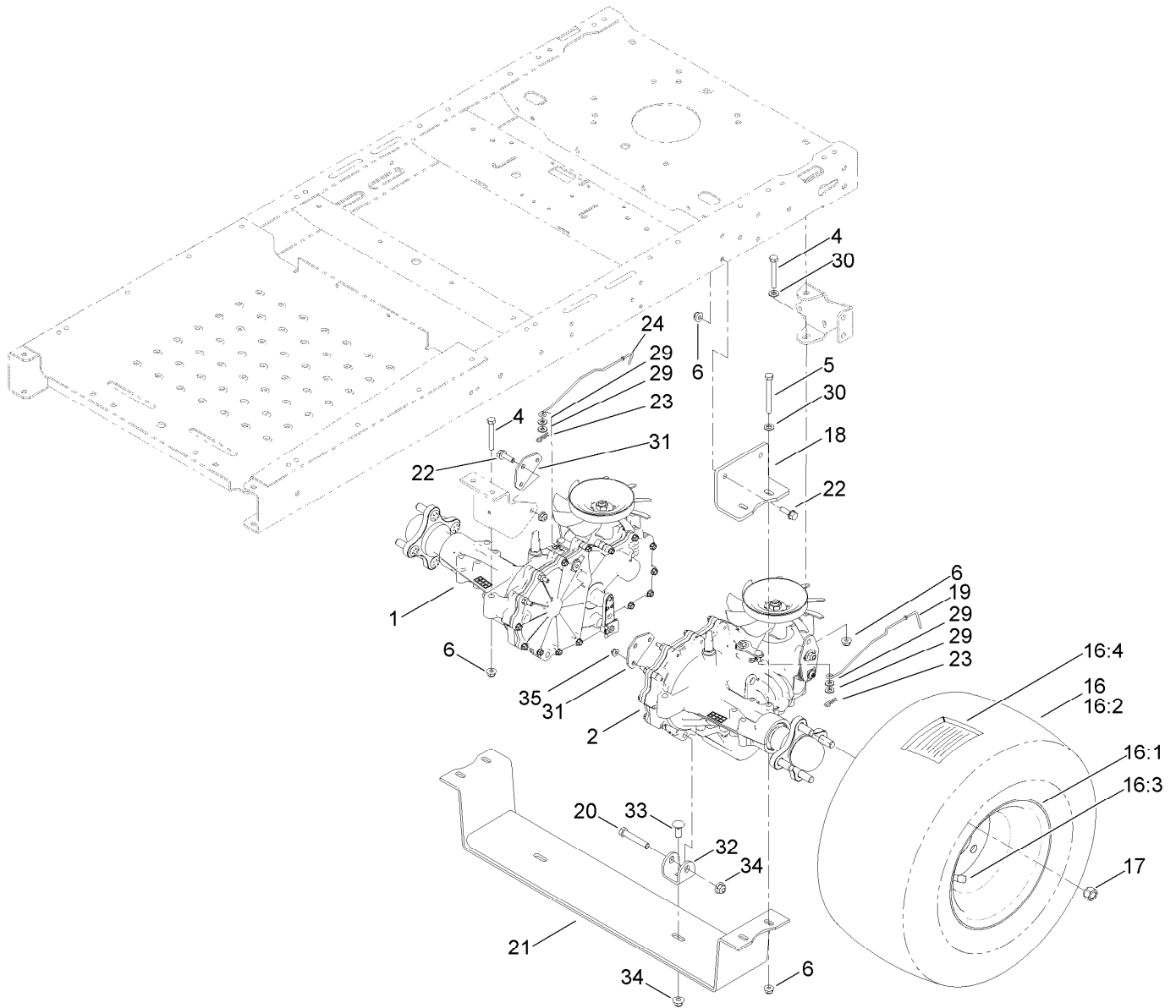
Motion Control Assembly (continued)

<i>Ref.</i>	<i>Part Number</i>	<i>Qty.</i>	<i>Description</i>	<i>Ref.</i>	<i>Part Number</i>	<i>Qty.</i>	<i>Description</i>
1	121-0731	1	Handle-Control, RH	27	119-8876	2	Spring-Return
1:1	121-0726	1	Grip	28	117-5388	2	Rod-Hydro
2	121-0730	1	Handle-Control, LH	29	119-8842	2	Mount-Rod, Hydro
2:1	121-0726	1	Grip	30	119-8952	4	Washer
3	3256-24	4	Washer-Flat	31	321-3	2	Screw-HH
4	323-6	4	Screw-HH	32	121-3017	1	Brake Control Module ASM
5	120-7950	2	Screw-Shoulder	33	117-5385	2	Retainer
6	119-3470	2	Actuator Arm ASM	34	32144-1	4	Screw-Taptite
6:2	256-156	2	Bushing-Flange	35	119-8811	1	Rod-Brake, RH
7	110-6810	2	Stud-Damper	36	119-8812	1	Rod-Brake, LH
8	103-2913	2	Damper-Control, Motion	37	121-5654	4	Spring-Compression
9	3296-42	6	Nut-Lock, NI	38	3290-307	4	Pin-Hair
10	104-8300	10	Nut-Flange, NI	39	32144-36	4	Screw-PPH
11	3256-23	2	Washer-Flat	40	1-603807	2	Spring-Return, Neutral
13	104-8301	4	Nut-Flange, NI	41	119-8859	1	Cover-Brake
14	119-8925	2	Washer-Belleville	42	32144-4	1	Screw-HWH
15	117-1240	2	Washer	43	93-6079	2	Spacer-Nylon
16	119-3300	1	Control-Speed	44	119-8935	1	Knob-RH
17	119-3303	2	Pin-Rod, Hydro	45	119-8936	1	Knob-LH
19	117-1198	2	Bolt-Pivot	46	94-4496	1	Screw-PPH
20	125-5474-03	1	Wide Control Box	47	3234-47	6	Screw-HHF
21	3296-56	2	Nut-Lock, NI	48	119-8874	1	Decal-Speed Control
22	115-5098-05	2	Lever-Control	49	32144-70	4	Screw-HWHTF
23	120-2273	2	Washer-Nylon	50	119-8870	1	Decal-HOC
26	115-5099	2	Bolt-Pivot	51	119-8857	2	Mount-Pivot



Belt and Pulley Assembly

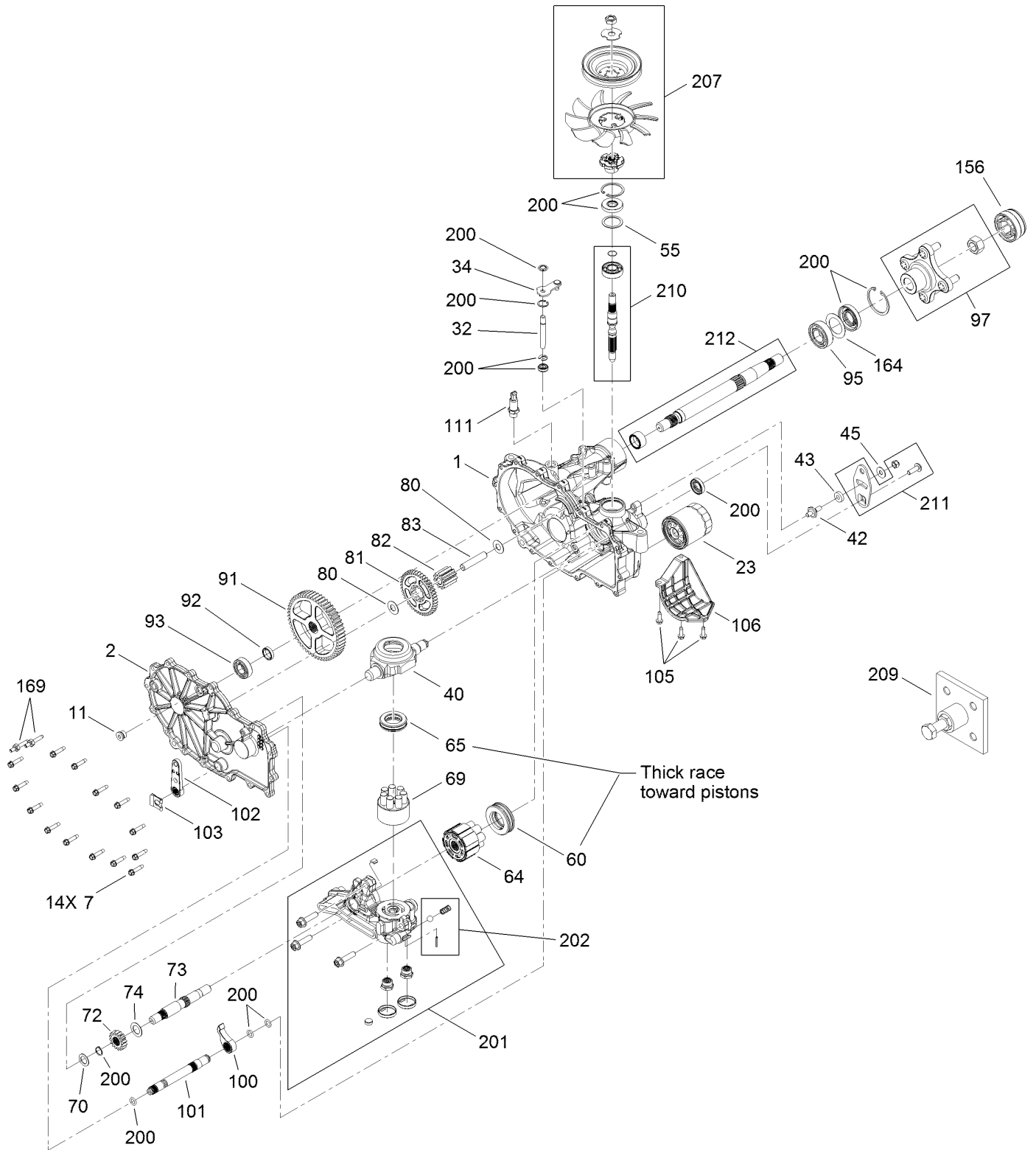
Ref.	Part Number	Qty.	Description
3	3230-8	1	Screw-CARR
6	104-8300	2	Nut-Flange, NI
7	322-7	1	Screw-HH
8	104-6415	1	Spring-Return, Pedal
9	5-4460	1	Washer-Pivot
10	119-3321	1	V-Belt
11	119-8822	1	Pulley-Idler
12	106-2176	1	Pulley-Idler
13	119-3326	1	Arm-Idler
14	119-3353	1	Spacer
15	119-3327	1	Spacer-Arm, Idler
25	3256-3	1	Washer-Flat



Hydro Transaxle Drive and Rear Wheel Assembly

<i>Ref.</i>	<i>Part Number</i>	<i>Qty.</i>	<i>Description</i>	<i>Ref.</i>	<i>Part Number</i>	<i>Qty.</i>	<i>Description</i>
1	119-3361	1	RH Hydro Transaxle ASM	20	323-11	2	Screw-HH
2	119-3360	1	LH Hydro Transaxle ASM	21	121-0748-01	1	Mount-Hydro
4	322-11	4	Screw-HH	22	3234-29	6	Screw-HHF
5	322-14	4	Screw-HH	23	3290-307	2	Pin-Hair
6	104-8300	14	Nut-Flange, NI	24	120-7968	1	Rod-Bypass, RH
16	109-5268	2	Wheel And Tire ASM	29	3256-22	4	Washer-Flat
16:1	109-5270	1	Wheel	30	3256-23	6	Washer-Flat
16:2	109-5269	1	Tire	31	120-7918	2	Plate-Hydro Mount
16:3	232-27	1	Stem-Valve	32	121-0749	2	Tab-Hydro
16:4	93-3893	1	Tube-Inner	33	3231-2	2	Bolt-CARR
17	242-50	8	Nut-Lug	34	104-8301	4	Nut-Flange, NI
18	121-0745-01	2	Mount-Hydro	35	104-7201	4	Nut-HF
19	121-2965	1	Rod-Bypass, LH				

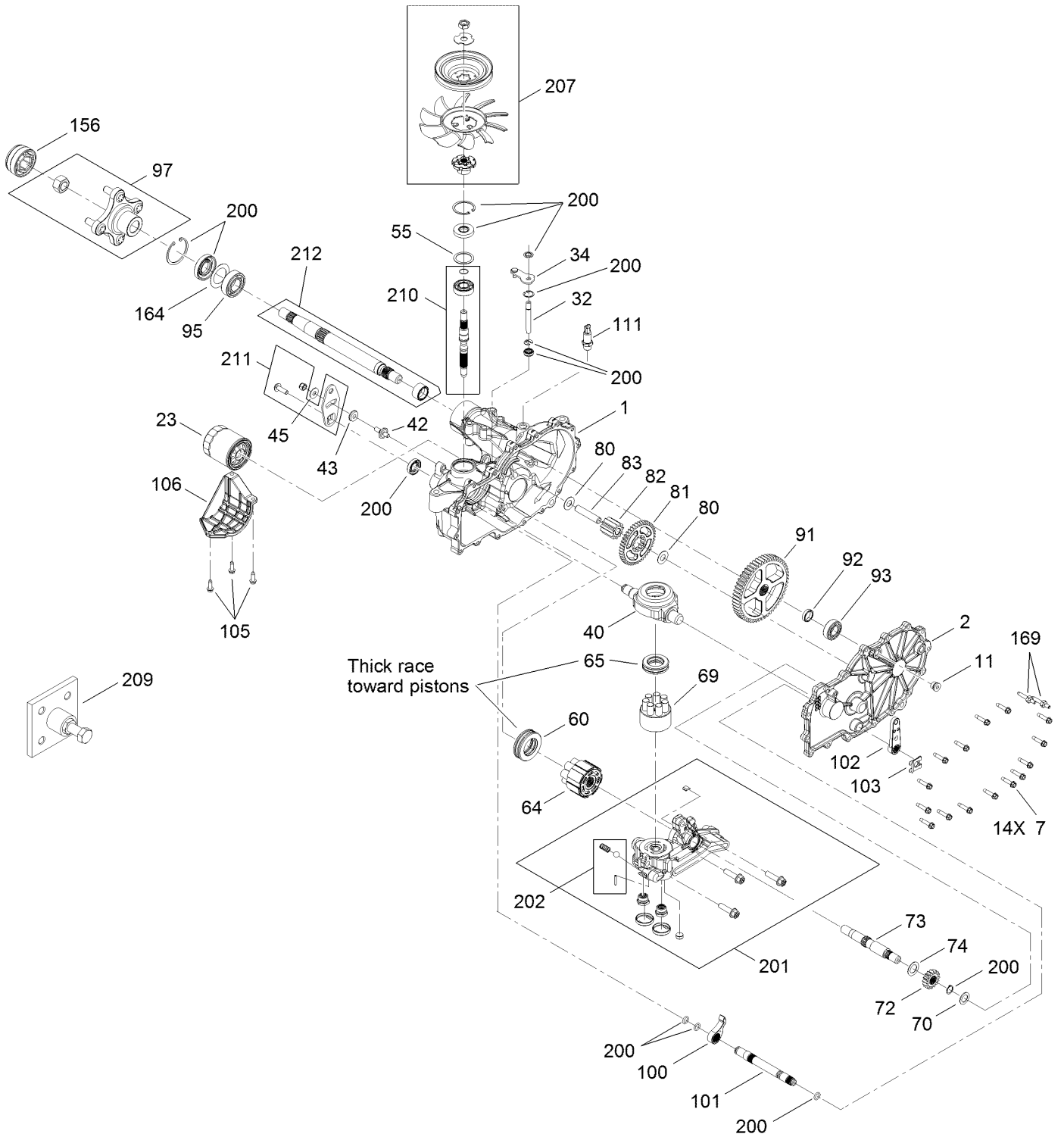
Right Hand Hydro Transaxle Assembly No. 119-3361



Right Hand Hydro Transaxle Assembly No. 119-3361 (continued)

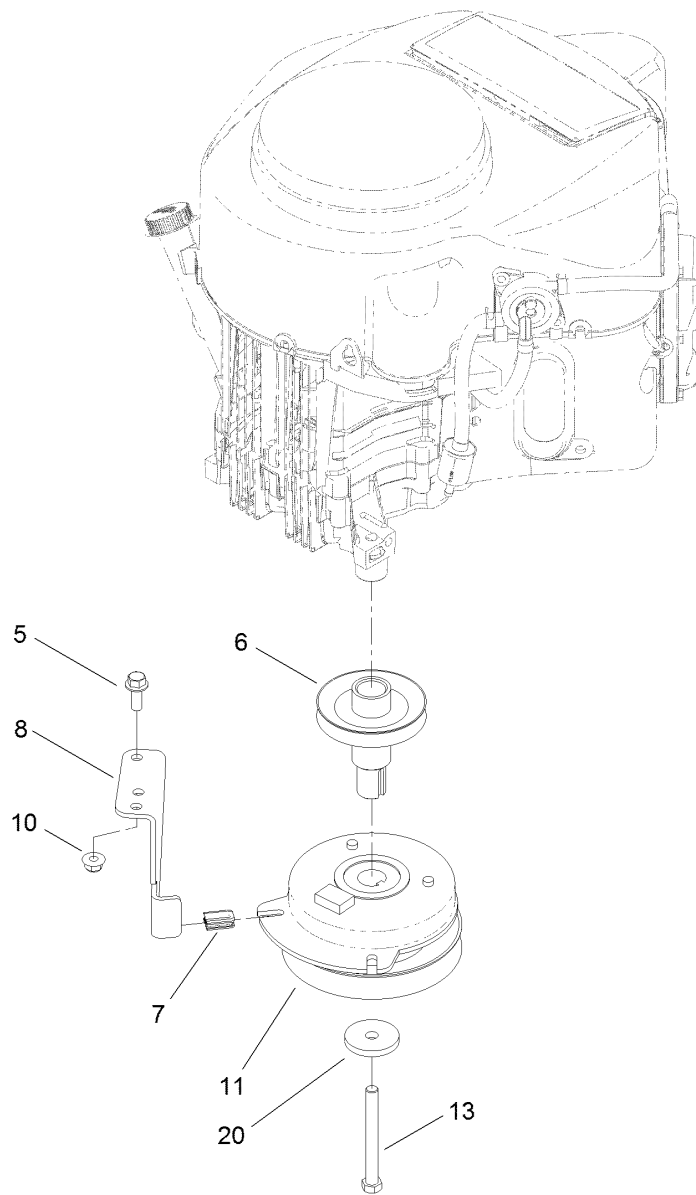
<i>Ref.</i>	<i>Part Number</i>	<i>Qty.</i>	<i>Description</i>	<i>Ref.</i>	<i>Part Number</i>	<i>Qty.</i>	<i>Description</i>
1	121-5748	1	Main Housing Kit	91	114-1694	1	Gear-54T
2	114-8472	1	Side Cover Kit	92	120-7975	1	Spacer
7	117-5359	14	Screw-HHF	93	114-1696	1	Bearing-Ball
11	104-2189	1	Plug-Thread, Straight	95	120-7976	1	Bearing-Ball
23	109-3321	1	Element-Oil Filter, HYD	97	109-5939	1	Hub Kit
32	114-1685	1	Rod-Bypass	100	114-1697	1	Pawl-Brake
34	107-2490	1	Arm-Bypass	101	114-1698	1	Shaft-Inboard Brake
40	104-5304	1	Swashplate-Trunnion	102	114-1699	1	Handle-Brake
42	104-2116	1	Stud	103	114-8450	1	Clip-Retaining
43	112-9853	1	Puck-Friction	105	104-2120	3	Screw
45	114-8491	1	Washer	106	120-7979	1	Guard-Filter, LH
55	104-5308	1	Spacer	111	109-3278	1	Adapter-Straight
60	112-4154	1	Bearing-Thrust	156	115-5057	1	Cover-Nut, Axle
64	114-1689	1	Motor Cylinder Block Kit	164	121-5745	1	Spacer
65	94-6922	1	Bearing-Thrust	169	125-0035	2	Stud
69	110-8561	1	Pump Block ASM	200	109-3537	1	Complete Seal Kit
70	104-5339	1	Washer-Flat	201	125-0036	1	Center Section Kit
72	121-5749	1	Gear-16T, Steel	202	114-8464	1	Charge Relief Kit
73	114-1691	1	Shaft-Motor	207	121-5746	1	Fan Pulley Kit
74	104-5360	1	Washer	209	114-8467	1	Hub-Puller, 4 Bolt
80	94-1933	2	Washer	210	114-8468	1	Input Shaft Kit
81	125-0000	1	Gear-43T	211	117-5362	1	Arm Control Kit
82	114-1693	1	Gear-11T	212	114-8470	1	Axle Shaft Kit
83	104-5329	1	Pin-Jackshaft				

Left Hand Hydro Transaxle Assembly No. 119-3360



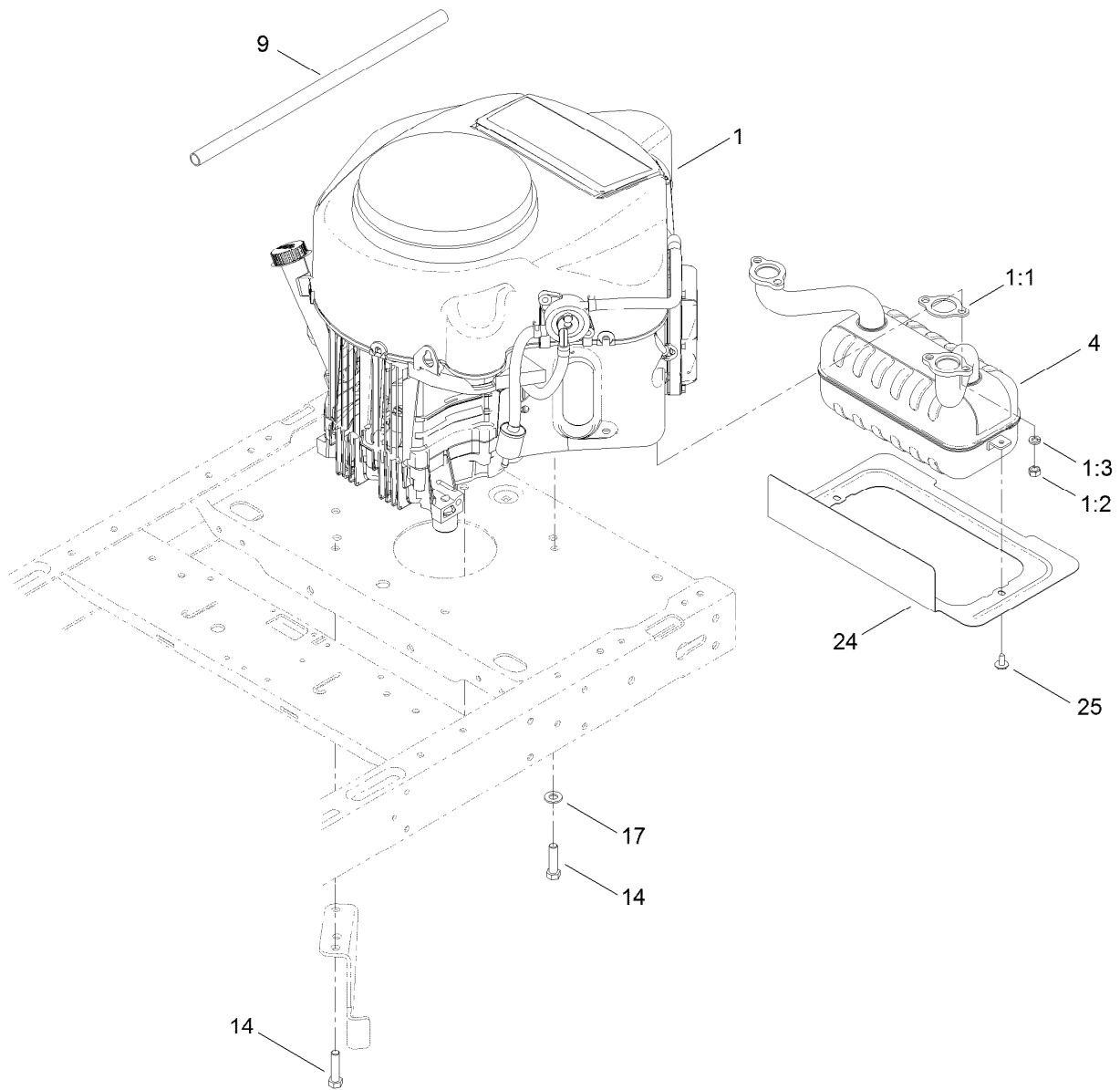
Left Hand Hydro Transaxle Assembly No. 119-3360 (continued)

<i>Ref.</i>	<i>Part Number</i>	<i>Qty.</i>	<i>Description</i>	<i>Ref.</i>	<i>Part Number</i>	<i>Qty.</i>	<i>Description</i>
1	125-0037	1	Main Housing Kit	91	114-1694	1	Gear-54T
2	117-5358	1	Housing Side Kit	92	120-7975	1	Spacer
7	117-5359	14	Screw-HHF	93	114-1696	1	Bearing-Ball
11	104-2189	1	Plug-Thread, Straight	95	120-7976	1	Bearing-Ball
23	109-3321	1	Element-Oil Filter, HYD	97	109-5939	1	Hub Kit
32	114-1685	1	Rod-Bypass	100	114-1697	1	Pawl-Brake
34	112-9852	1	Arm-Bypass	101	114-1698	1	Shaft-Inboard Brake
40	104-5304	1	Swashplate-Trunnion	102	114-1699	1	Handle-Brake
42	104-2116	1	Stud	103	114-8450	1	Clip-Retaining
43	112-9853	1	Puck-Friction	105	104-2120	3	Screw
45	114-8491	1	Washer	106	120-7981	1	Guard-Filter, RH
55	104-5308	1	Spacer	111	109-3278	1	Adapter-Straight
60	112-4154	1	Bearing-Thrust	156	115-5057	1	Cover-Nut, Axle
64	114-1689	1	Motor Cylinder Block Kit	164	121-5745	1	Spacer
65	94-6922	1	Bearing-Thrust	169	125-0035	2	Stud
69	110-8561	1	Pump Block ASM	200	109-3537	1	Complete Seal Kit
70	104-5339	1	Washer-Flat	201	114-8463	1	RH Center Section Kit
72	121-5749	1	Gear-16T, Steel	202	114-8464	1	Charge Relief Kit
73	114-1691	1	Shaft-Motor	207	121-5746	1	Fan Pulley Kit
74	104-5360	1	Washer	209	114-8467	1	Hub-Puller, 4 Bolt
80	94-1933	2	Washer	210	114-8468	1	Input Shaft Kit
81	125-0000	1	Gear-43T	211	117-5362	1	Arm Control Kit
82	114-1693	1	Gear-11T	212	114-8470	1	Axle Shaft Kit
83	104-5329	1	Pin-Jackshaft				



Clutch Assembly

<i>Ref.</i>	<i>Part Number</i>	<i>Qty.</i>	<i>Description</i>
5	3234-42	1	Screw-HHF
6	119-3318	1	Pulley-Engine
7	120-2217	1	Isolator-Clutch
8	119-8885	1	Stop-Clutch
10	104-8301	1	Nut-Flange, NI
11	119-8941	1	Clutch-PTO
13	3212-19	1	Screw-HH
20	109-6919	1	Washer-Clutch

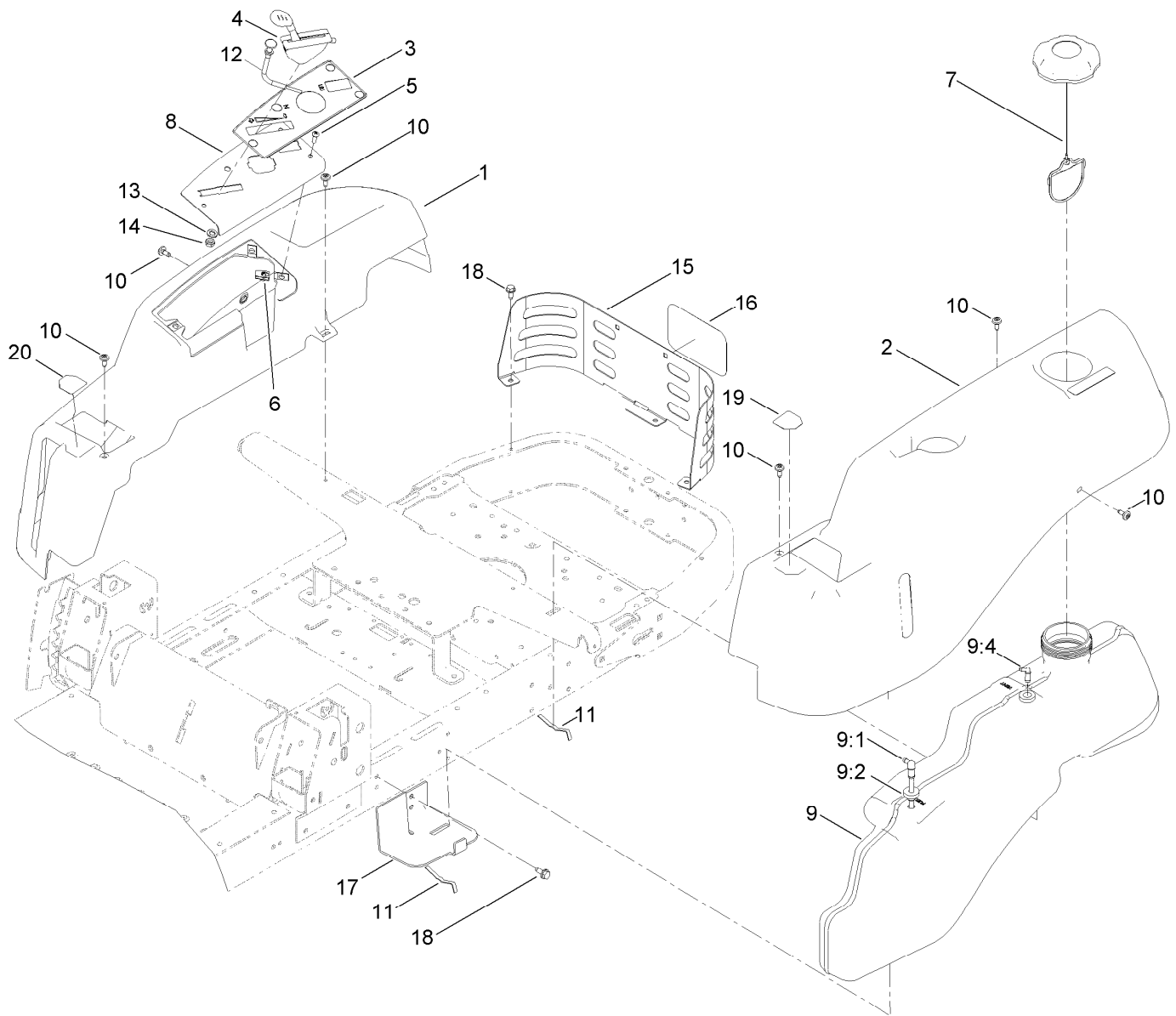


Engine and Muffler Assembly

Ref.	Part Number	Qty.	Description
1		1	Engine-Kawasaki, Fr691V-_s07-R ●■
1:1	1-653313	2	Gasket-Exhaust
1:2	114-3549	4	Nut
1:3	114-3550	4	Washer-Lock, Spring
4	117-7256	1	Muffler-Kawasaki
9	106-7022	1	Tube-Drain, Oil
14	323-50	4	Bolt-HH
17	3256-24	3	Washer-Flat
24	121-2973-03	1	Shield-Heat
25	46-8560	2	Screw-HHFTF

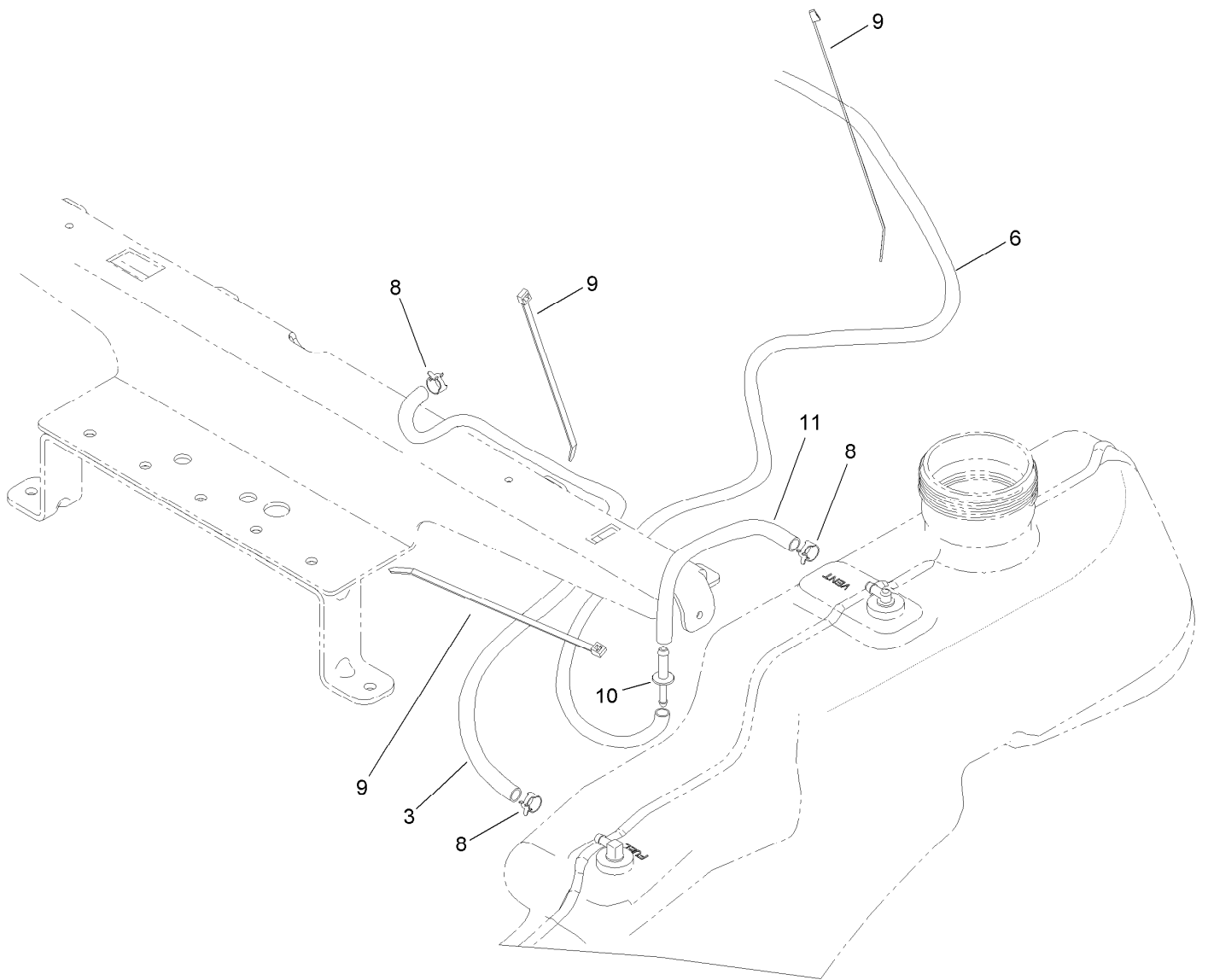
● Not serviced separately

■ Obtain parts from www.kawpowerpc.com



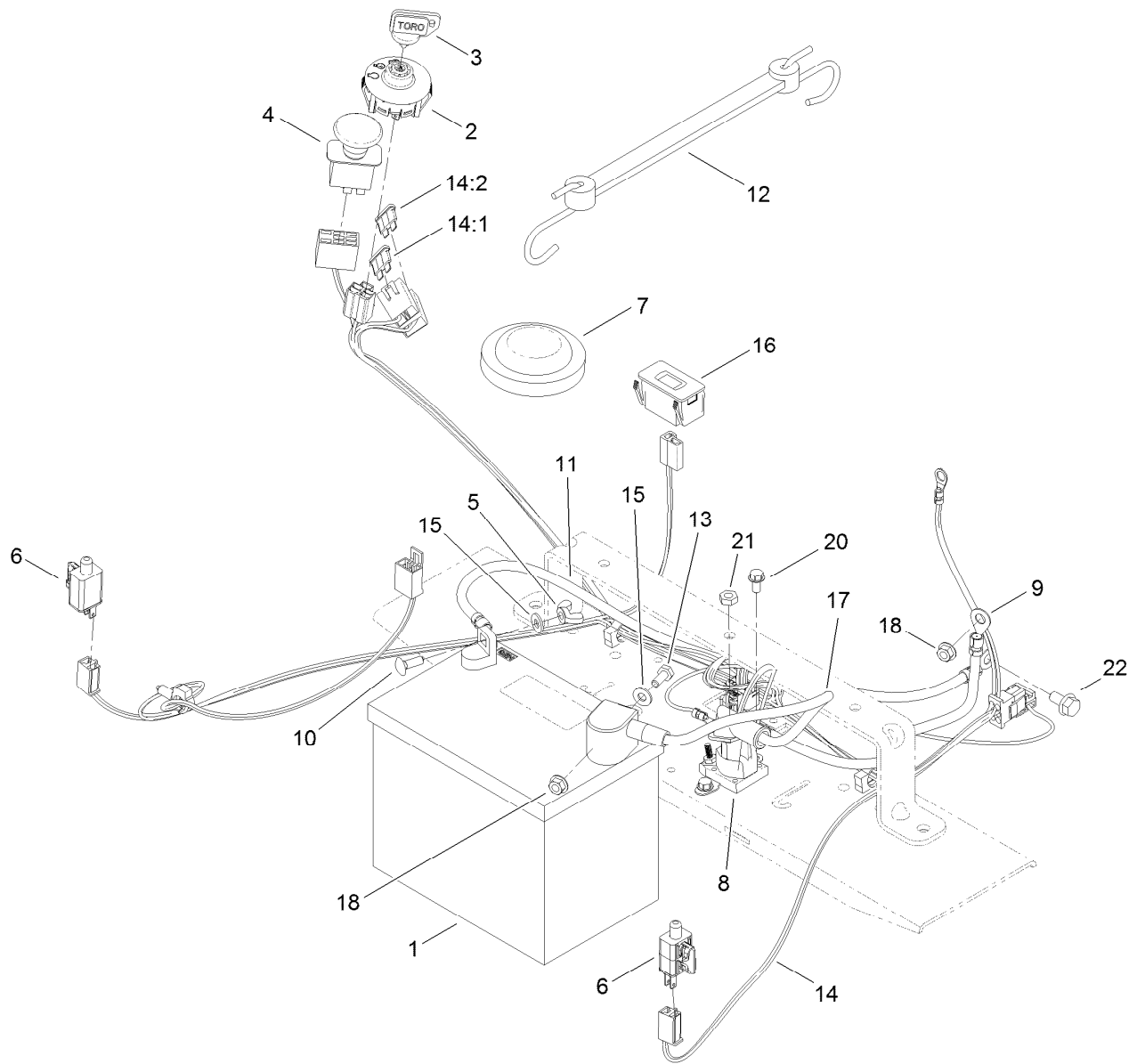
Body Styling and Fuel Pod Assembly

<i>Ref.</i>	<i>Part Number</i>	<i>Qty.</i>	<i>Description</i>	<i>Ref.</i>	<i>Part Number</i>	<i>Qty.</i>	<i>Description</i>
1	119-3338	1	Pod-RH	10	120-7950	6	Screw-Shoulder
2	119-3337	1	Pod-LH	11	609830	2	Spring
3	121-0773	1	Decal-Panel, Control	12	112-9753	1	Cable-Choke
4	121-0769	1	Cable-Throttle	13	3253-21	1	Washer-Lock
5	3258-166	3	Screw-PRH	14	3220-3	1	Nut-HJ
6	107069	3	Clip	15	119-3304-03	1	Guard-Rear
7	120-5461	1	Cap-Fuel, Ratcheting	16	99-4693	1	Decal
8	119-3377-03	1	Plate-Control	17	119-3395-03	1	Support-Tank, Front
9	119-3324	1	Fuel Tank ASM	18	32144-70	6	Screw-HWHTF
9:1	121-0793	1	Connector-Elbow, 90 DEG	19	119-8814	1	Decal-Control Lever, LH
9:2	46-6560	2	Bushing	20	119-8815	1	Decal-Control Lever, RH
9:4	117-7400	1	Fitting-Plastic				



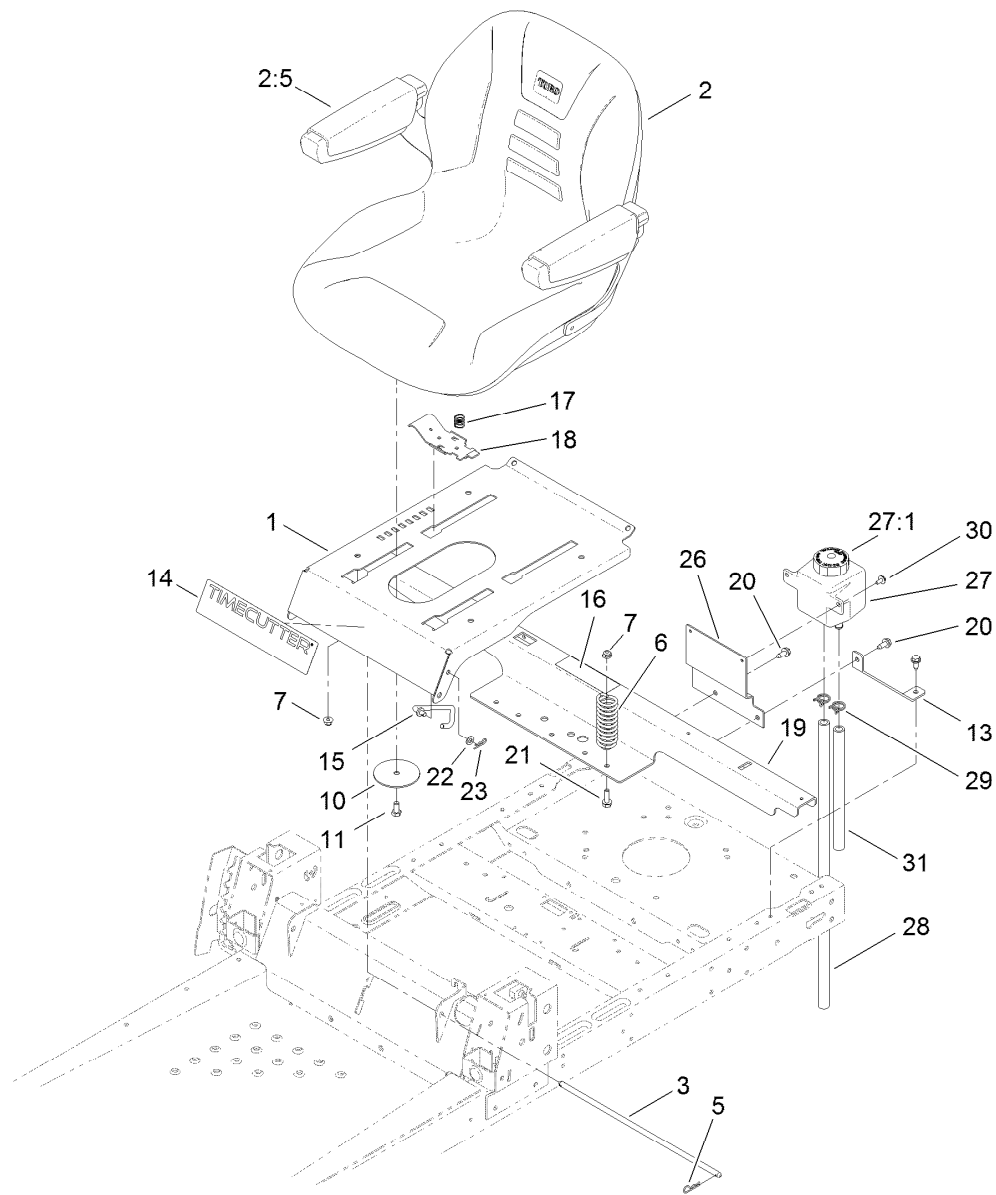
Fuel Delivery Assembly

<i>Ref.</i>	<i>Part Number</i>	<i>Qty.</i>	<i>Description</i>
3	109-0301	1	Hose-Fuel
6	51-3212	1	Hose-Fuel
8	2412-98	3	Clamp-Hose
9	614249	3	Tie-Cable
10	117-5399	1	Adaptor-Orifice
11	110-1876	1	Hose-Fuel



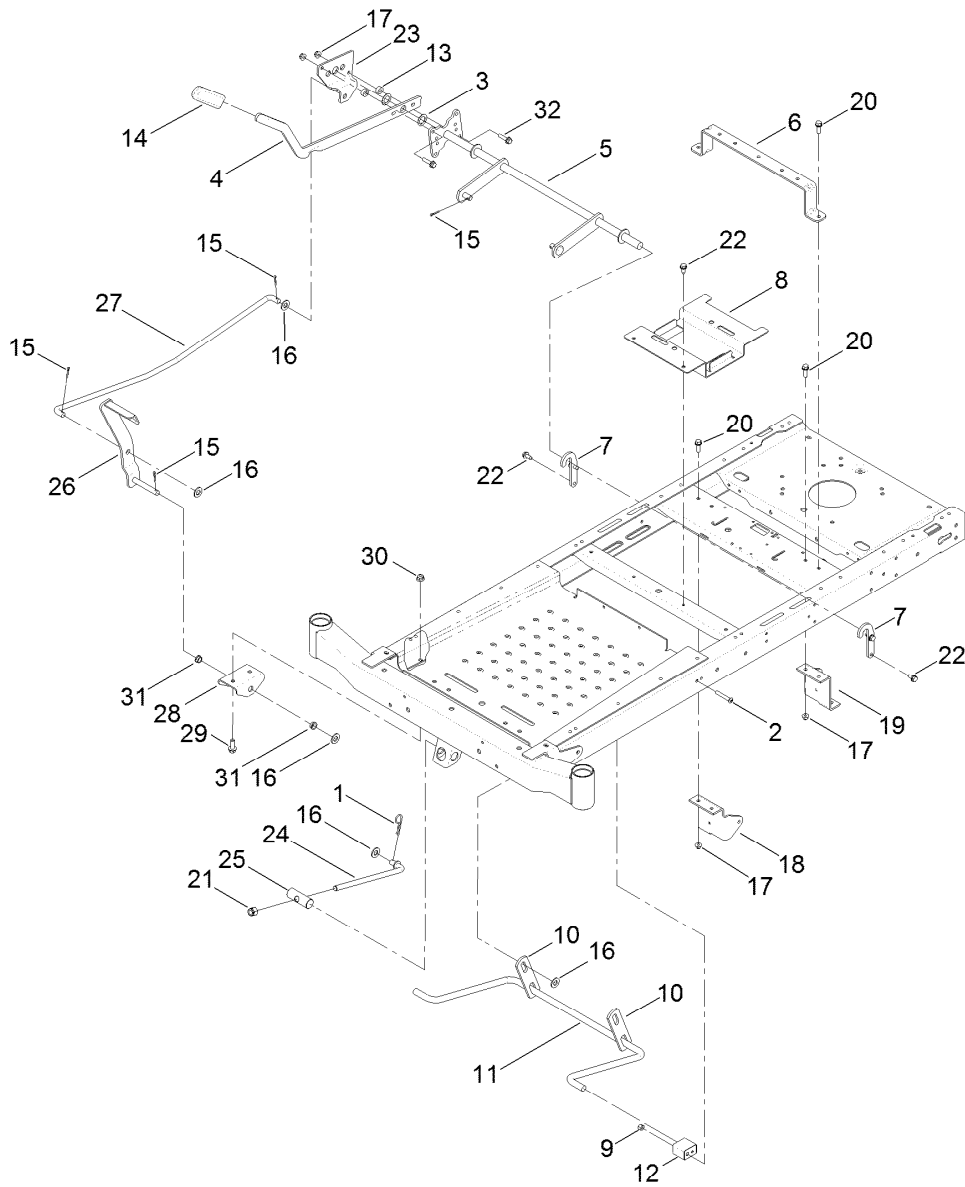
Battery and Electrical Assembly

<i>Ref.</i>	<i>Part Number</i>	<i>Qty.</i>	<i>Description</i>	<i>Ref.</i>	<i>Part Number</i>	<i>Qty.</i>	<i>Description</i>
1	105-1692	1	Battery	13	321-3	1	Screw-HH
2	117-2221	1	Switch-Ignition	14	121-5652	1	Harness-Wire
3	63-8360	1	Key-Ignition (W/Shield)	14:1	109103	1	Fuse-Blade, 30 Amp
4	103-5221	1	Switch-PTO	14:2	109102	1	Fuse-Blade, 25 Amp
5	32103-22	1	Nut-Wing	15	3256-22	2	Washer-Flat
6	110-6765	2	Switch-Single Pole No	16	120-2244	1	Hourmeter
7	100-3524	1	Switch-Seat	17	119-8897	1	Cable-Battery, Red
8	117-1197	1	Solenoid	18	32128-33	2	Nut-HF
9	119-8898	1	Cable-Battery, Red	20	32144-4	2	Screw-HWH
10	3229-1	1	Bolt-CARR	21	3220-2	2	Nut-Jam
11	119-8899	1	Cable-Battery, Black	22	33104-016	1	Screw-HHF
12	104-2466	1	Holddown-Battery				



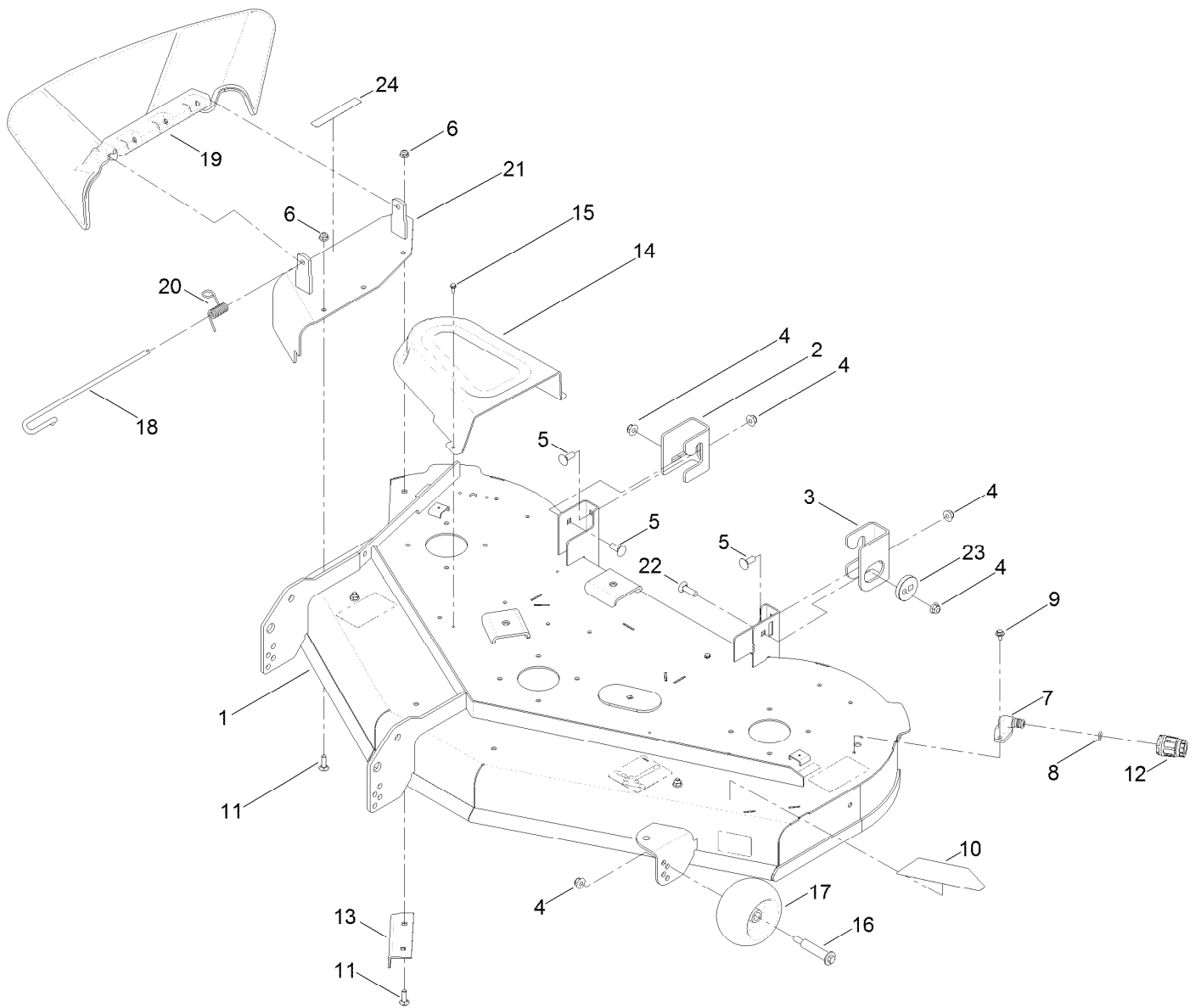
Seat Assembly

<i>Ref.</i>	<i>Part Number</i>	<i>Qty.</i>	<i>Description</i>	<i>Ref.</i>	<i>Part Number</i>	<i>Qty.</i>	<i>Description</i>
1	119-3390-03	1	Pan-Seat	18	115-9623	1	Latch-Seat
2	115-5053	1	18 Inch Seat ASM	19	119-3414-03	1	Support-Pod
2:5	119-3307	1	Armrest Kit	20	32144-70	5	Screw-HWHTF
3	115-4966	1	Rod-Stop	21	3234-29	3	Screw-HHF
5	3290-250	2	Pin-Hair	22	3256-23	1	Washer-Flat
6	92-7054	3	Spring-Compression	23	3290-307	1	Pin-Hair
7	104-8300	3	Nut-Flange, NI	26	120-7970-03	1	Mount-Tank
10	117-5307	1	Washer-Seat	27	109-2250	1	Vent-Tank, Hydro
11	323-4	1	Screw-HH	27:1	109-3320	1	Cap-Reservoir, HYD
13	119-3431-03	2	Support-Tank, Rear	28	121-2951	1	Hose-Overflow
14	121-3019	1	Decal-Timecutter	29	117-1193	4	Clamp-Hose
15	119-8972	1	Stop-Seat	30	46-8560	2	Screw-HHFTF
16	106-8717	1	Decal-Service	31	121-2952	1	Hose-Overflow
17	115-9624	1	Spring-Compression				



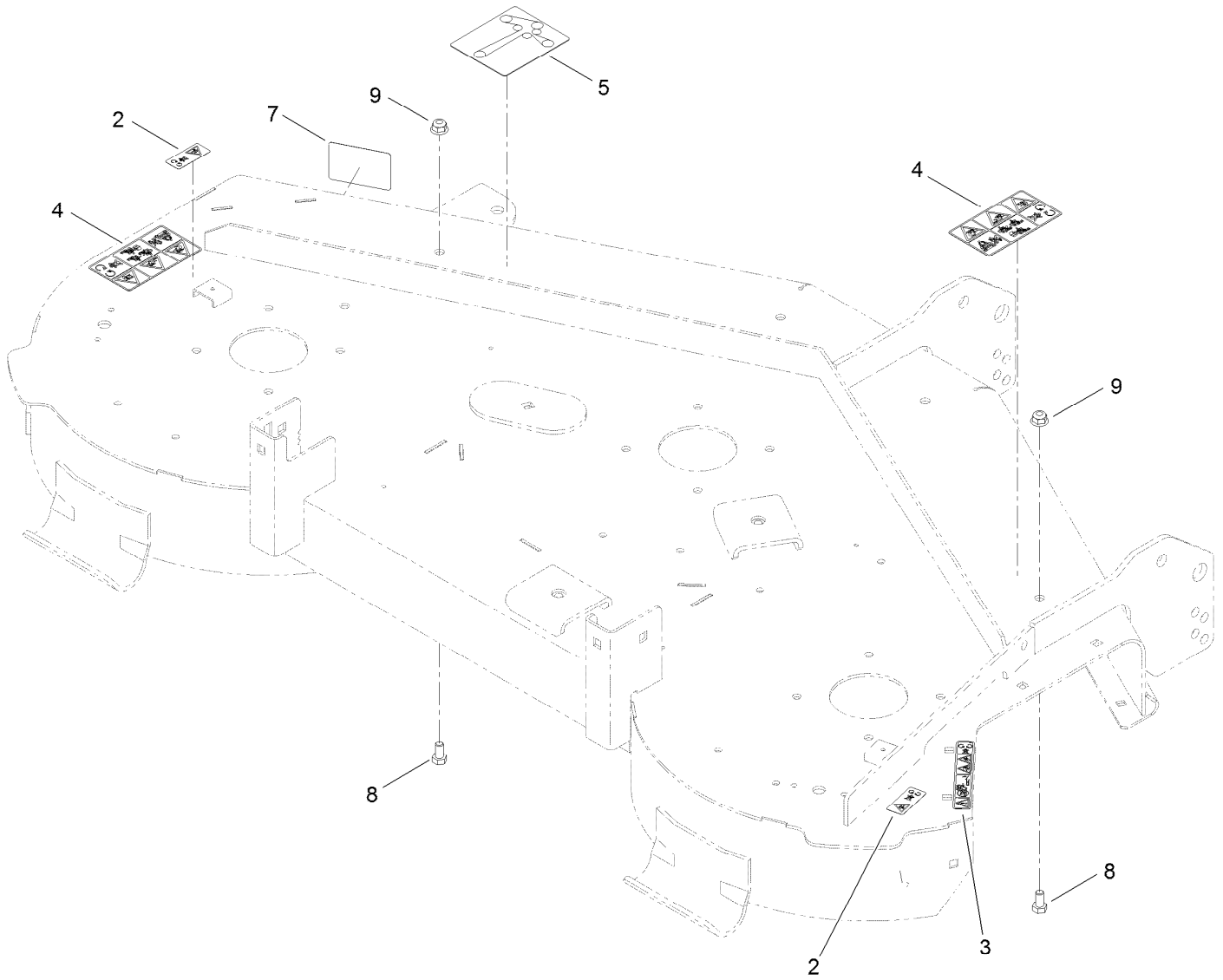
Deck Lift Assembly

<i>Ref.</i>	<i>Part Number</i>	<i>Qty.</i>	<i>Description</i>	<i>Ref.</i>	<i>Part Number</i>	<i>Qty.</i>	<i>Description</i>
1	1-806005	1	Pin-Hair	17	104-8300	6	Nut-Flange, NI
2	120-5499	2	Screw-HSBH	18	120-7936-01	1	Mount-Hydro, Front Right
3	3-6498	2	Washer-Thrust	19	120-7937-01	1	Mount-Hydro, Front Left
4	119-3427-03	1	Lever-Lift	20	3234-29	4	Screw-HHF
5	119-3424-03	1	Lift-Deck	21	3296-19	1	Nut-Hex
6	117-7337-03	1	Brace-Seat, Rear	22	32144-70	6	Screw-HWHTF
7	119-8875	2	Bracket-Lift	23	120-2275	1	Plate-Footlift
8	119-3406-03	1	Bracket-Battery	24	104-8047	1	Rod-Trunion
9	3296-29	2	Nut-Lock, NI	25	119-8810	1	Pin-Pivot
10	108-7840	2	Link-Lift	26	120-2276-03	1	Pedal
11	119-3347	1	Arm-Lift, Rear	27	120-2242	1	Rod-Footlift
12	108-7845	2	Block-Pivot	28	120-2294-03	1	Bracket-Footlift
13	121-1759	2	Spacer	29	3234-42	2	Screw-HHF
14	1-633268	1	Grip-Lever	30	104-8301	2	Nut-Flange, NI
15	3272-10	5	Pin-Cotter	31	256-156	2	Bushing-Flange
16	3256-26	6	Washer-Flat	32	3234-36	2	Screw-HHF



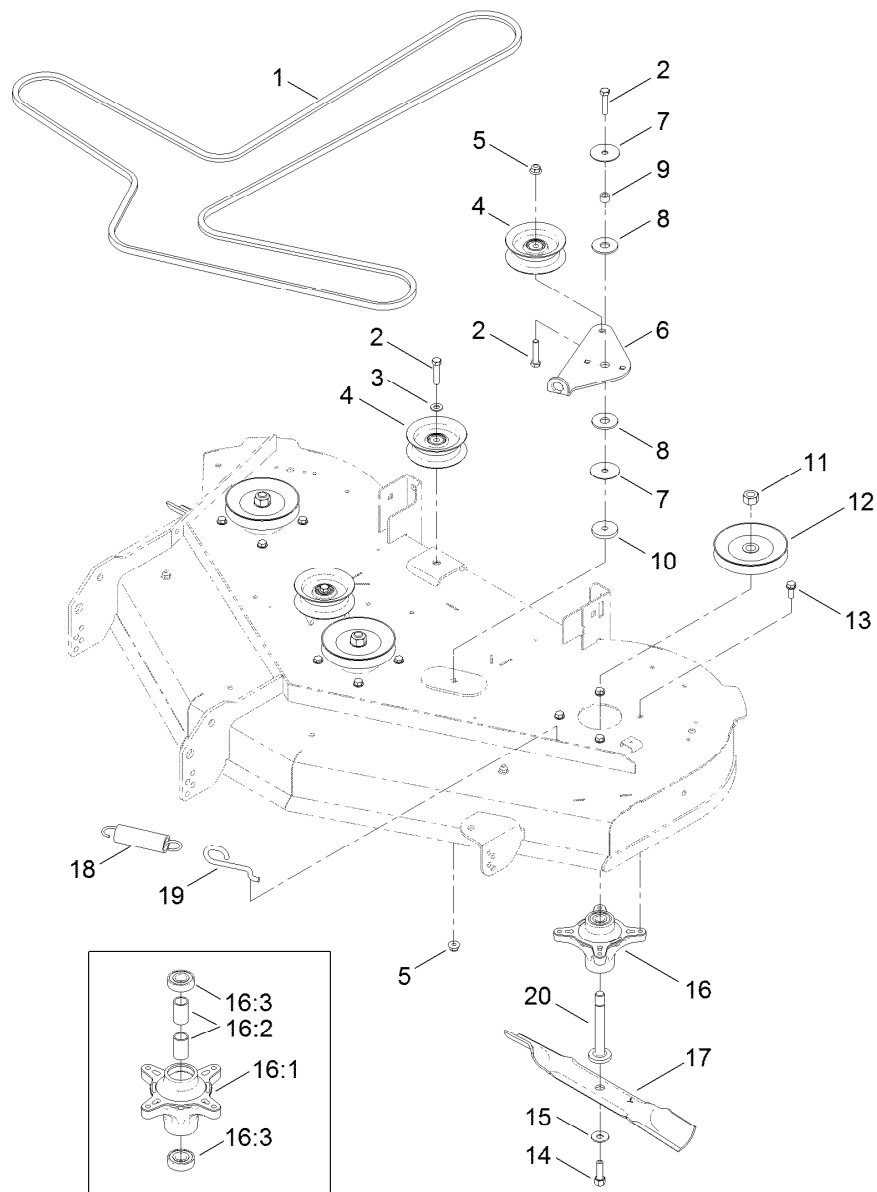
50 Inch Deck Assembly

Ref.	Part Number	Qty.	Description	Ref.	Part Number	Qty.	Description
1	121-0734	1	50 Inch Deck And Decal ASM	13	120-7951-03	1	Baffle-Cutoff
2	119-3494	1	Bracket-Hanger, RH	14	108-7890	2	Cover-Belt
3	121-0797	1	Bracket-Hanger, LH	15	32144-1	6	Screw-Taptite
4	104-8301	7	Nut-Flange, NI	16	112-3977	3	Bolt-Shoulder
5	3231-2	3	Bolt-CARR	17	1-603299	3	Roller-Scalp, Anti
6	104-8300	4	Nut-Flange, NI	18	109-8854	1	Pin-Chute
7	95-2747	2	Fitting-Washout	19	121-0739	1	Deflector-Discharge
8	46-6290	2	O-Ring, Seal	20	121-2983	1	Spring-Torsion
9	46-8560	4	Screw-HHFTF	21	120-7925-01	1	Discharge Cover ASM
10	121-0792	1	Decal-Deck	22	3231-28	1	Screw-CARR
11	3230-22	4	Screw-CARR	23	112-3980	1	Eccentric
12	95-3270	1	Connector-Hose	24	93-7009	1	Decal-Danger, Deflector



50 Inch Deck and Decal Assembly No. 121-0734

<i>Ref.</i>	<i>Part Number</i>	<i>Qty.</i>	<i>Description</i>
2	114-1606	2	Decal-Danger
3	93-7009	1	Decal-Danger, Deflector
4	110-6691	2	Decal-Danger
5	99-3943	1	Decal-Routing, Belt
7	112-9840	1	Decal-Scalp, Anti
8	322-2	2	Screw-HH
9	104-8300	2	Nut-Flange, NI



50 Inch Deck Belt, Spindle and Blade Assembly

Ref.	Part Number	Qty.	Description	Ref.	Part Number	Qty.	Description
1	119-8820	1	V-Belt	13	32144-41	12	Screw-Taptite
2	323-9	4	Screw-HH	14	26-0671	3	Screw-HH
3	3256-24	2	Washer-Flat	15	3290-465	3	Washer-Belleville
4	106-2175	3	Pulley-Idler, Flat	16	121-0751	3	Spindle ASM
5	104-8301	2	Nut-Flange, NI	16:1	117-7267	1	Spindle
6	114-8540	1	Arm-Idler	16:2	120-7935	2	Spacer
7	120-2229	2	Washer-Idler Pivot	16:3	100-1048	2	Bearing-Ball
8	114-0463	2	Washer-Friction, Composite	17	115-5059-03	3	Blade-Hi Lift, 17.50 Inch
9	115-4986	1	Spacer	18	1-603414	1	Spring-Extension
10	110-9981	1	Washer-Plain	19	112-3973	1	Hook-Return, Spring
11	3219-6	3	Nut-Hex	20	117-7268	3	Shaft-Spindle
12	110-6865	3	Pulley				

Attachments and Accessories

For 74641 TimeCutter MX 5060 Riding Mower

Product Name	Model/Part
Bagging Enhancement Kit	121-5692
Striping Kit	121-5706
Hitch Kit	79014
Replacement Blade Kit, 2007 and After TimeCutter Riding Mower with 50in Mower	79016
50in Recycler Kit.....	79024
Cargo Carrier	79030
Front Weight Kit	79031
Storage Cover	79317
50in Bagger	79337
10 cu. ft. Poly Dump Cart	79991

Notes:

Notes:

Notes:



Count on it.