



Count on it.

Parts Catalog

TimeCutter® MX 4260

Riding Mower

Model No. 74640—Serial No. 313000001 and Up



Ordering Replacement Parts

To order replacement parts, please supply the part number, the quantity, and the description of each part desired.

Understanding Reference Numbers

Each identified part in an illustration has a reference number. The reference number for a part also appears in the parts list, along with other information about the part.

This catalog uses two special reference number formats, one to indicate parts in a service assembly and another to indicate the quantity of a given part in an illustration.

Service Assembly Reference Numbers

Parts in service assemblies have reference numbers in the form a:b. The a represents the reference number of the entire service assembly and the b represents a sequential number unique to each part within the service assembly.

For example, a wheel assembly might be identified by reference number 6, the tire by 6:1, the valve by 6:2, and the wheel by 6:3. When you order the assembly identified by reference number 6, you receive all parts identified by reference numbers 6:1, 6:2, and 6:3. However, you may also order any part individually. Reference numbers of this type appear in illustration and in parts lists.

Reference Numbers Indicating Quantity

In an illustration, if a reference number indicates more than one part, the reference number has the form nX y. The n represents the quantity of the part, the X is the multiplication symbol, and the y represents the reference number.

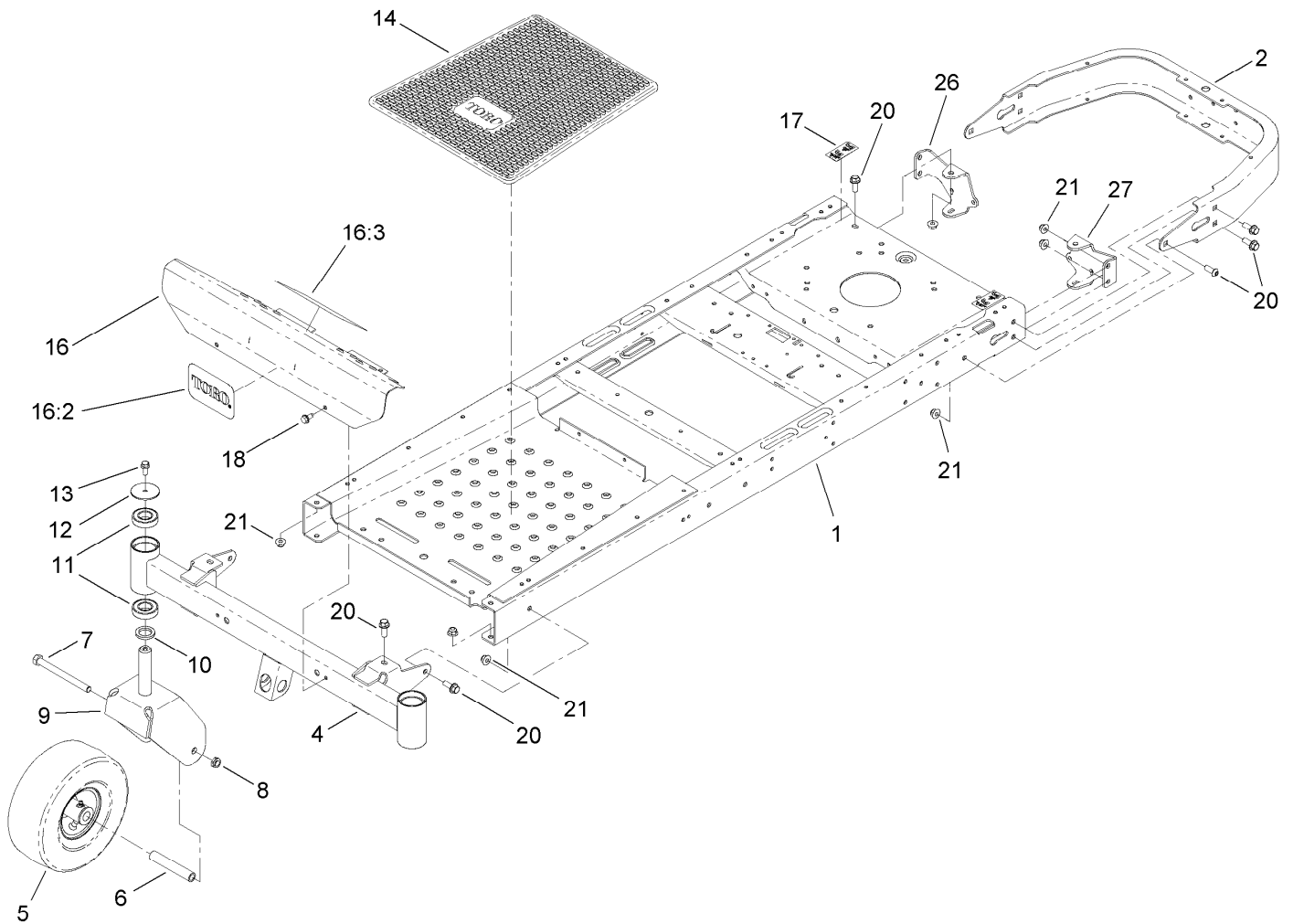
For example, in an illustration, the reference number 2X 37 means that two of the parts identified by reference number 37 are indicated.

List of Abbreviations

| | | |
|--|--|--|
| AR: as required | HLH: hex lag head | PTO: power-take-off |
| ASM: assembly | HOC: height-of-cut | RH: right hand |
| BBC: blade brake control | HSBH: hex socket button head | ROPS: roll-over protection system |
| BHTF: button head thread forming | HSFH: hex socket flat head | RRB: rear roller brush |
| CARR: carriage | HSH: hex socket head | SFH: slotted fillister head |
| CCW: counter clockwise | HWH: hex washer head | SHH: slotted hex head |
| CW: clockwise | HWHTF: hex washer head thread forming | SHWH: slotted hex washer head |
| DEG: degrees | HYD: hydraulic | SPH: slotted pan head |
| DPA: Dual Point Adjustment | LH: left hand | SQH: square head |
| ECM: electronic control module | LP: Liquefied Petroleum Gas | SRH: slotted round head |
| EXT: external | LPG: Liquefied Petroleum Gas | STD: standard |
| FH: flat head | NI: nylon insert | TAP: self tapping |
| GA: gauge | NPTF: national pipe thread fine | TTH: torx truss head |
| HD: heavy-duty | PFH: phillips flat head | |
| HF: hex flange | PPH: phillips pan head | |
| HH: hex head | PPHTF: phillips pan head thread forming | |
| HHF: hex head flange | PRH: phillips round head | |
| HHFTF: hex head flange thread forming | PTH: phillips truss head | |
| HJ: hex jam | | |

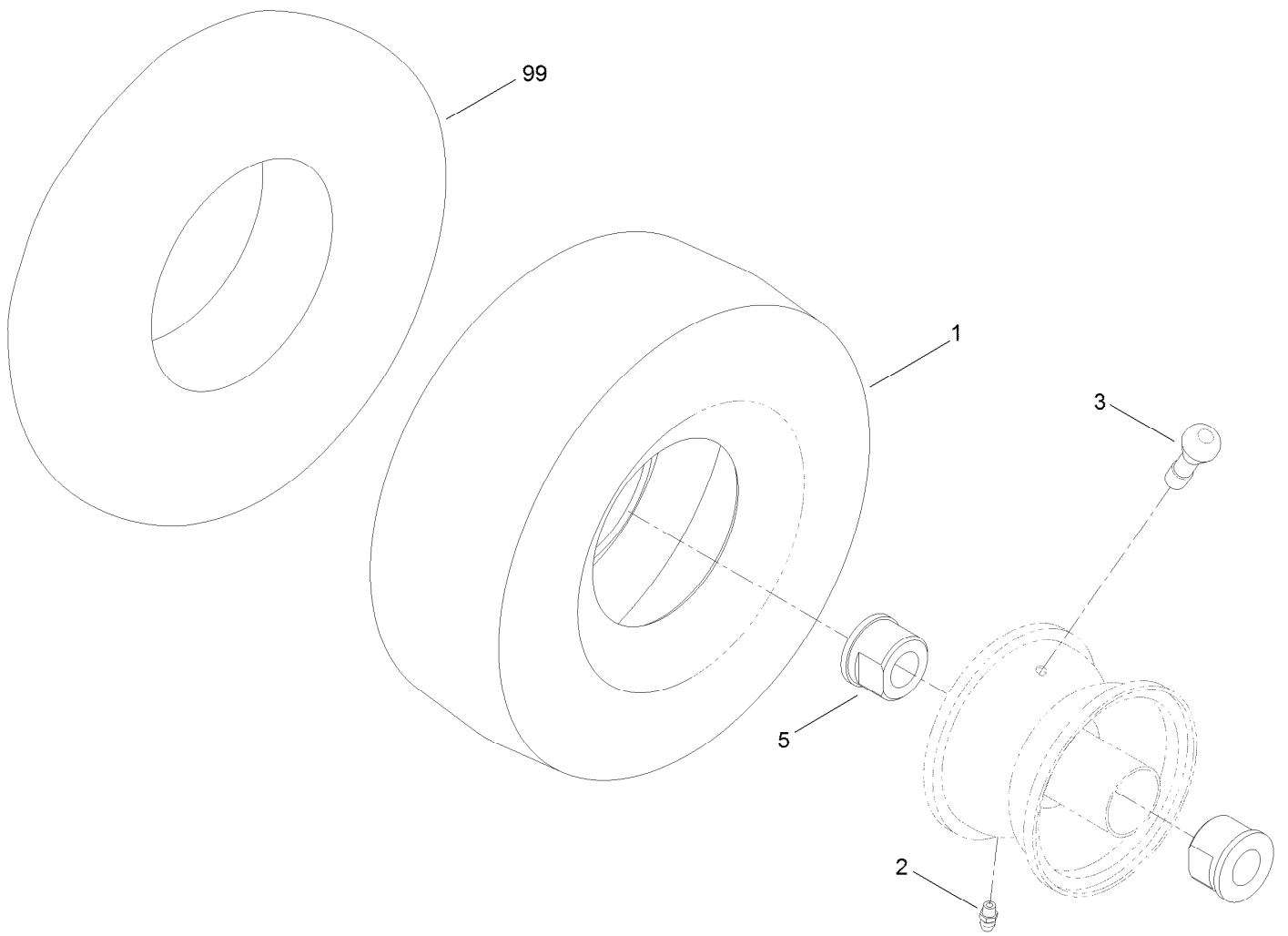
Contents

| | |
|--|----|
| Main Frame and Front Axle Assembly | 4 |
| Caster Wheel Assembly No. 120-5515..... | 5 |
| Motion Control Assembly | 6 |
| Belt and Idler Assembly..... | 8 |
| Hydro Transaxle Assembly..... | 9 |
| Right Hand Hydro Transaxle Assembly No. 119-3341 | 10 |
| Left Hand Hydro Transaxle Assembly No. 119-3340 | 12 |
| Clutch Assembly..... | 14 |
| Engine and Muffler Assembly..... | 15 |
| Body Styling and Fuel Pod Assembly | 16 |
| Fuel Delivery Assembly..... | 17 |
| Battery and Electrical Assembly..... | 18 |
| Seat Assembly | 19 |
| Deck Lift Assembly..... | 20 |
| 42 Inch Deck and Deflector Assembly | 21 |
| 42 Inch Deck and Decal Assembly No. 121-0733 | 22 |
| 42 Inch Deck, Belt and Blade Assembly..... | 23 |
| Attachments and Accessories | 24 |



Main Frame and Front Axle Assembly

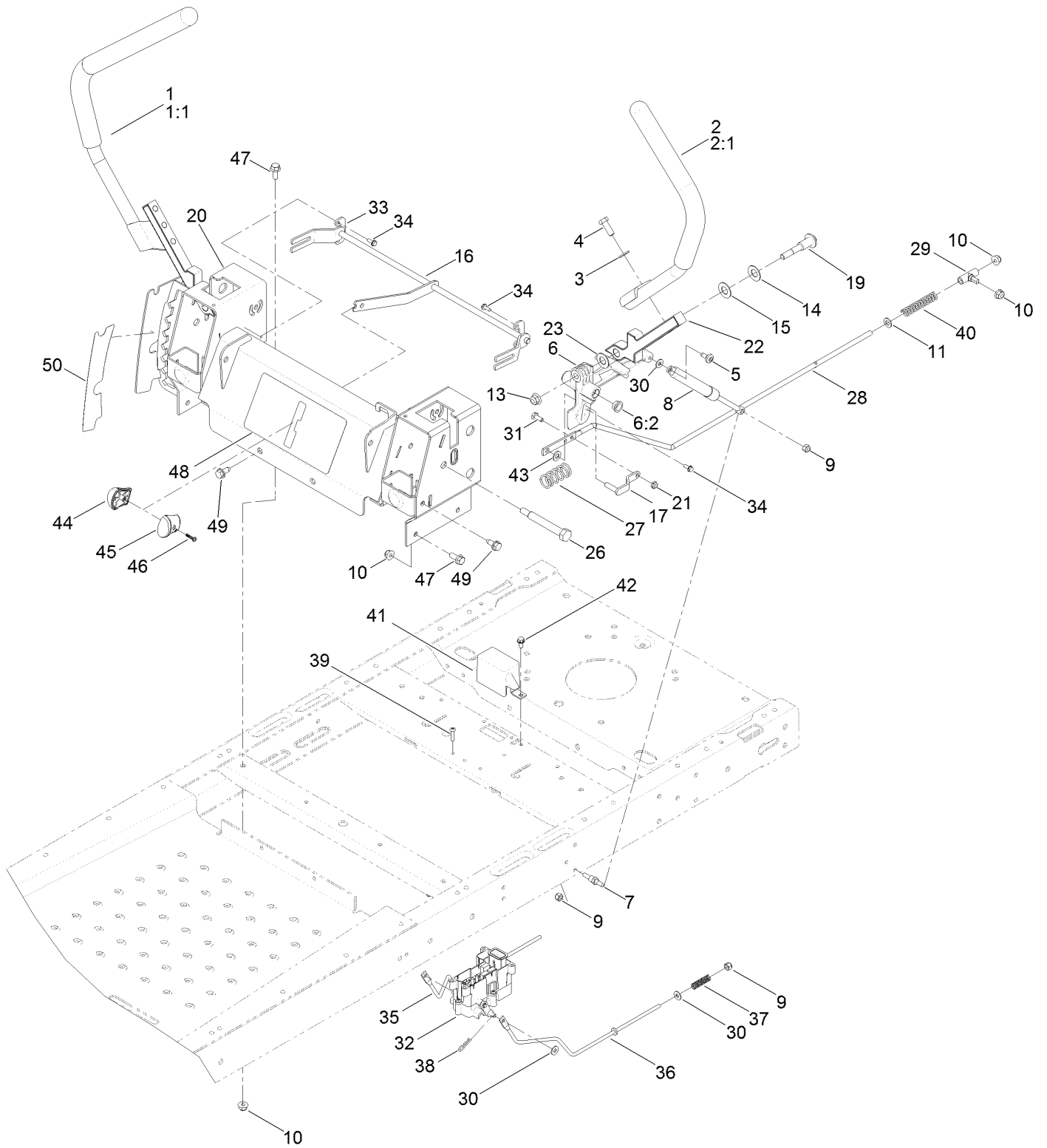
| <i>Ref.</i> | <i>Part Number</i> | <i>Qty.</i> | <i>Description</i> | <i>Ref.</i> | <i>Part Number</i> | <i>Qty.</i> | <i>Description</i> |
|-------------|--------------------|-------------|--------------------|-------------|--------------------|-------------|----------------------|
| 1 | 121-2970-01 | 1 | Frame | 13 | 3234-47 | 2 | Screw-HHF |
| 2 | 110-1920-01 | 1 | Bumper-Rear | 14 | 120-5455 | 1 | Mat-Floor |
| 4 | 120-5516-01 | 1 | Axle-Front | 16 | 125-0072 | 1 | Footrest ASM |
| 5 | 120-5515 | 2 | Caster Wheel ASM | 16:2 | 105-8278 | 1 | Decal |
| 6 | 104-3667 | 2 | Spanner-Wheel | 16:3 | 120-2239 | 1 | Decal-Danger |
| 7 | 325-22 | 2 | Screw-HH | 17 | 121-2989 | 2 | Decal-Bypass |
| 8 | 3296-45 | 2 | Nut-Lock, NI | 18 | 32144-70 | 2 | Screw-HWHTF |
| 9 | 120-2266-01 | 2 | Fork-Caster | 20 | 3234-42 | 14 | Screw-HHF |
| 10 | 117-7394 | 2 | Washer-Thrust | 21 | 104-8301 | 14 | Nut-Flange, NI |
| 11 | 109-3678 | 4 | Bearing-Ball | 26 | 121-0737-01 | 1 | Mount-Hydro, Rear RH |
| 12 | 119-8915 | 2 | Washer | 27 | 121-0738-01 | 1 | Mount-Hydro, Rear LH |



Caster Wheel Assembly No. 120-5515

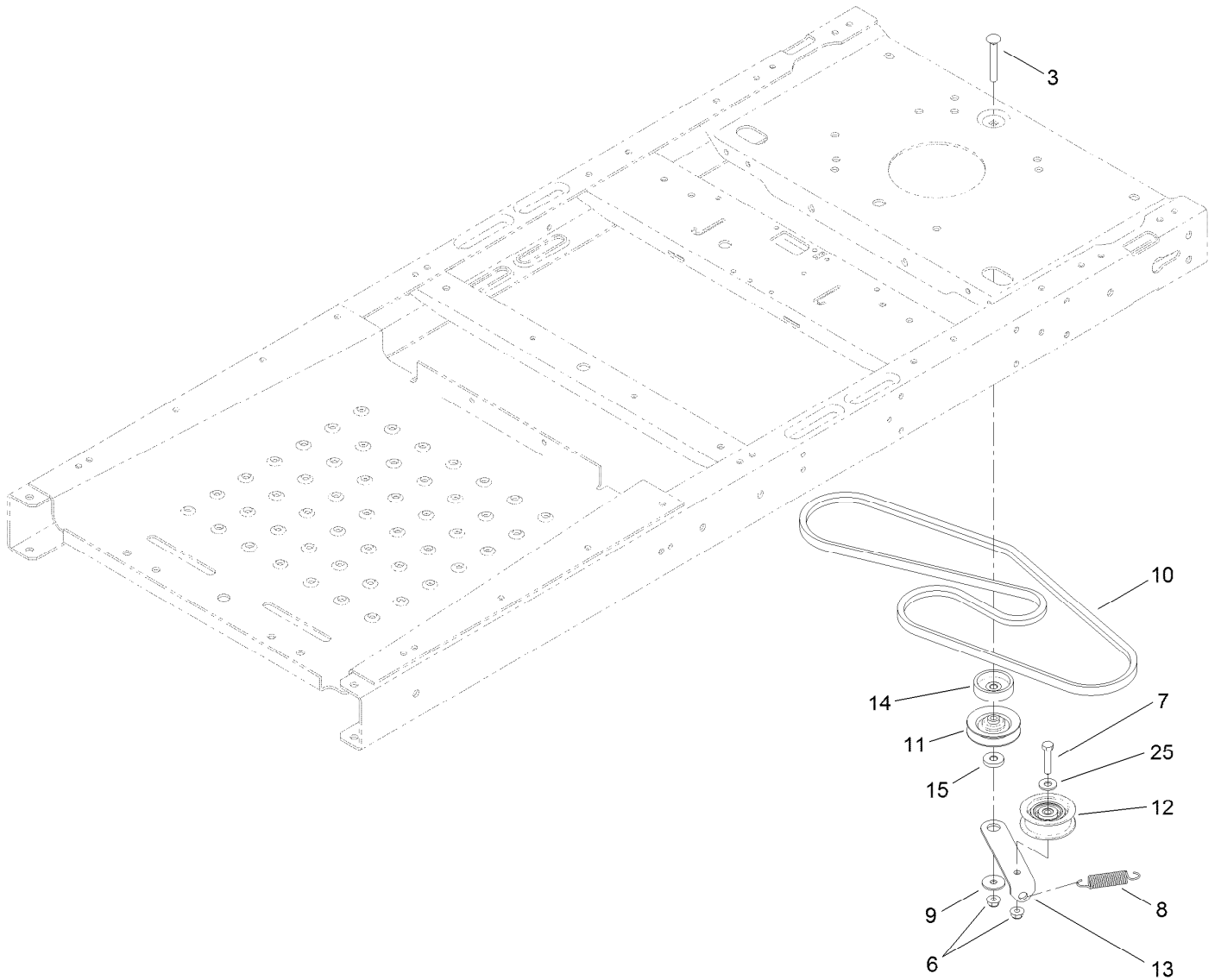
| <i>Ref.</i> | <i>Part Number</i> | <i>Qty.</i> | <i>Description</i> |
|-------------|--------------------|-------------|----------------------|
| 1 | 120-5514 | 1 | Tire-Smooth (Cst) |
| 2 | 302-5 | 1 | Fitting-Grease |
| 3 | 232-27 | 1 | Stem-Valve |
| 5 | 114-1640 | 2 | Bushing-Flange |
| 99 | 93-4244 | 1 | Tube-Inner (W/Valve) |

Motion Control Assembly



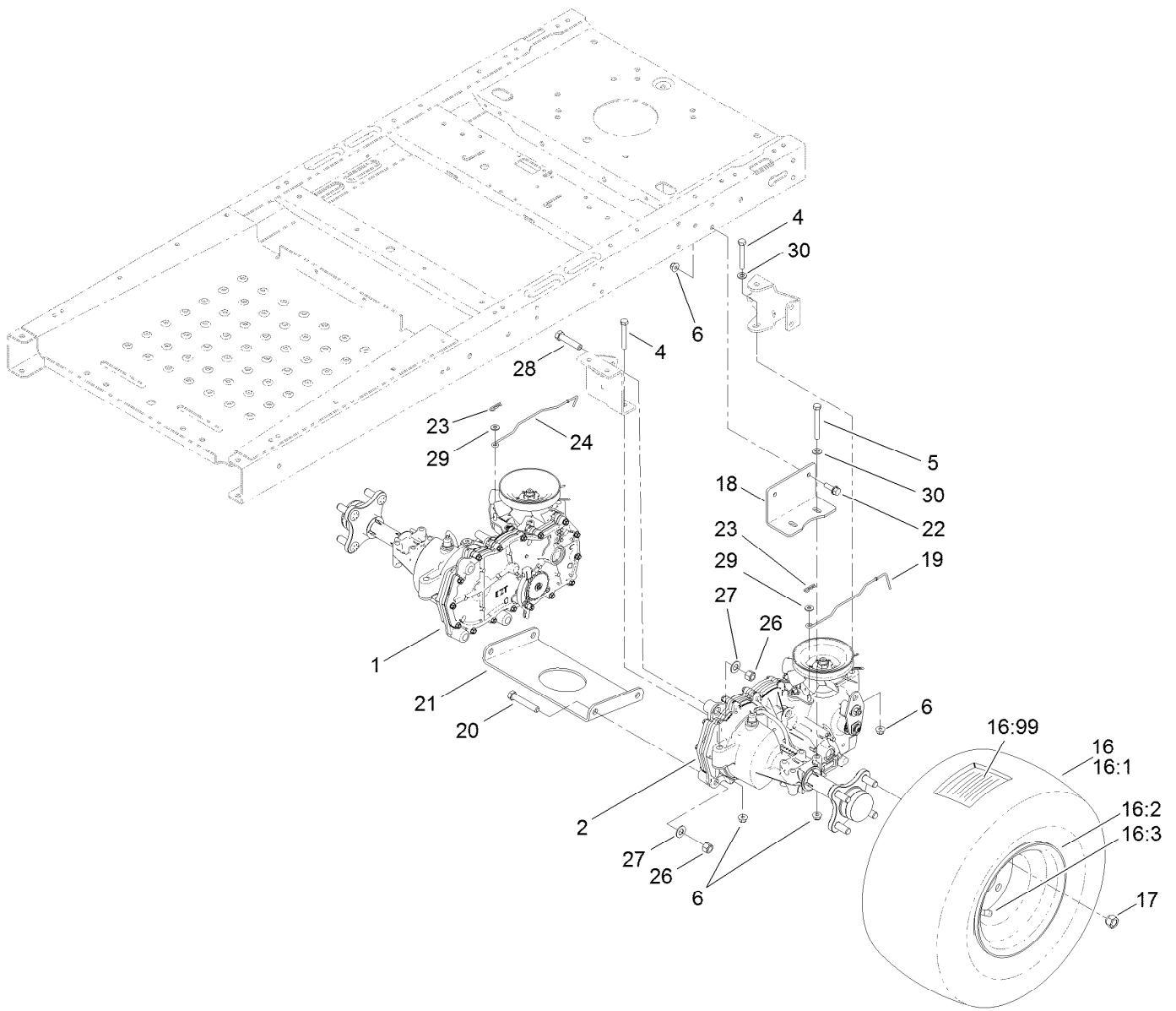
Motion Control Assembly (continued)

| <i>Ref.</i> | <i>Part Number</i> | <i>Qty.</i> | <i>Description</i> | <i>Ref.</i> | <i>Part Number</i> | <i>Qty.</i> | <i>Description</i> |
|-------------|--------------------|-------------|------------------------|-------------|--------------------|-------------|--------------------------|
| 1 | 121-0731 | 1 | Handle-Control, RH | 27 | 119-8876 | 2 | Spring-Return |
| 1:1 | 121-0726 | 1 | Grip | 28 | 117-5388 | 2 | Rod-Hydro |
| 2 | 121-0730 | 1 | Handle-Control, LH | 29 | 119-8842 | 2 | Mount-Rod, Hydro |
| 2:1 | 121-0726 | 1 | Grip | 30 | 119-8952 | 8 | Washer |
| 3 | 3256-24 | 4 | Washer-Flat | 31 | 321-3 | 2 | Screw-HH |
| 4 | 323-6 | 4 | Screw-HH | 32 | 121-3017 | 1 | Brake Control Module ASM |
| 5 | 120-7950 | 2 | Screw-Shoulder | 33 | 117-5385 | 2 | Retainer |
| 6 | 119-3470 | 2 | Actuator Arm ASM | 34 | 32144-1 | 4 | Screw-Taptite |
| 6:2 | 256-156 | 2 | Bushing-Flange | 35 | 121-2974 | 1 | Rod-Brake, RH |
| 7 | 110-6810 | 2 | Stud-Damper | 36 | 121-2975 | 1 | Rod-Brake, LH |
| 8 | 103-2913 | 2 | Damper-Control, Motion | 37 | 117-1169 | 4 | Spring-Compression |
| 9 | 3296-42 | 6 | Nut-Lock, NI | 38 | 3290-307 | 2 | Pin-Hair |
| 10 | 104-8300 | 10 | Nut-Flange, NI | 39 | 32144-36 | 4 | Screw-PPH |
| 11 | 3256-23 | 2 | Washer-Flat | 40 | 1-603807 | 2 | Spring-Return, Neutral |
| 13 | 104-8301 | 4 | Nut-Flange, NI | 41 | 119-8859 | 1 | Cover-Brake |
| 14 | 119-8925 | 2 | Washer-Belleville | 42 | 32144-4 | 1 | Screw-HWH |
| 15 | 117-1240 | 2 | Washer | 43 | 93-6079 | 2 | Spacer-Nylon |
| 16 | 119-8832 | 1 | Control-Speed | 44 | 119-8935 | 1 | Knob-RH |
| 17 | 119-3303 | 2 | Pin-Rod, Hydro | 45 | 119-8936 | 1 | Knob-LH |
| 19 | 117-1198 | 2 | Bolt-Pivot | 46 | 94-4496 | 1 | Screw-PPH |
| 20 | 125-5473-03 | 1 | Control Box ASM | 47 | 3234-47 | 6 | Screw-HHF |
| 21 | 3296-56 | 2 | Nut-Lock, NI | 48 | 119-8874 | 1 | Decal-Speed Control |
| 22 | 115-5098-05 | 2 | Lever-Control | 49 | 32144-70 | 4 | Screw-HWHTF |
| 23 | 120-2273 | 2 | Washer-Nylon | 50 | 119-8871 | 1 | Decal |
| 26 | 115-5099 | 2 | Bolt-Pivot | | | | |



Belt and Idler Assembly

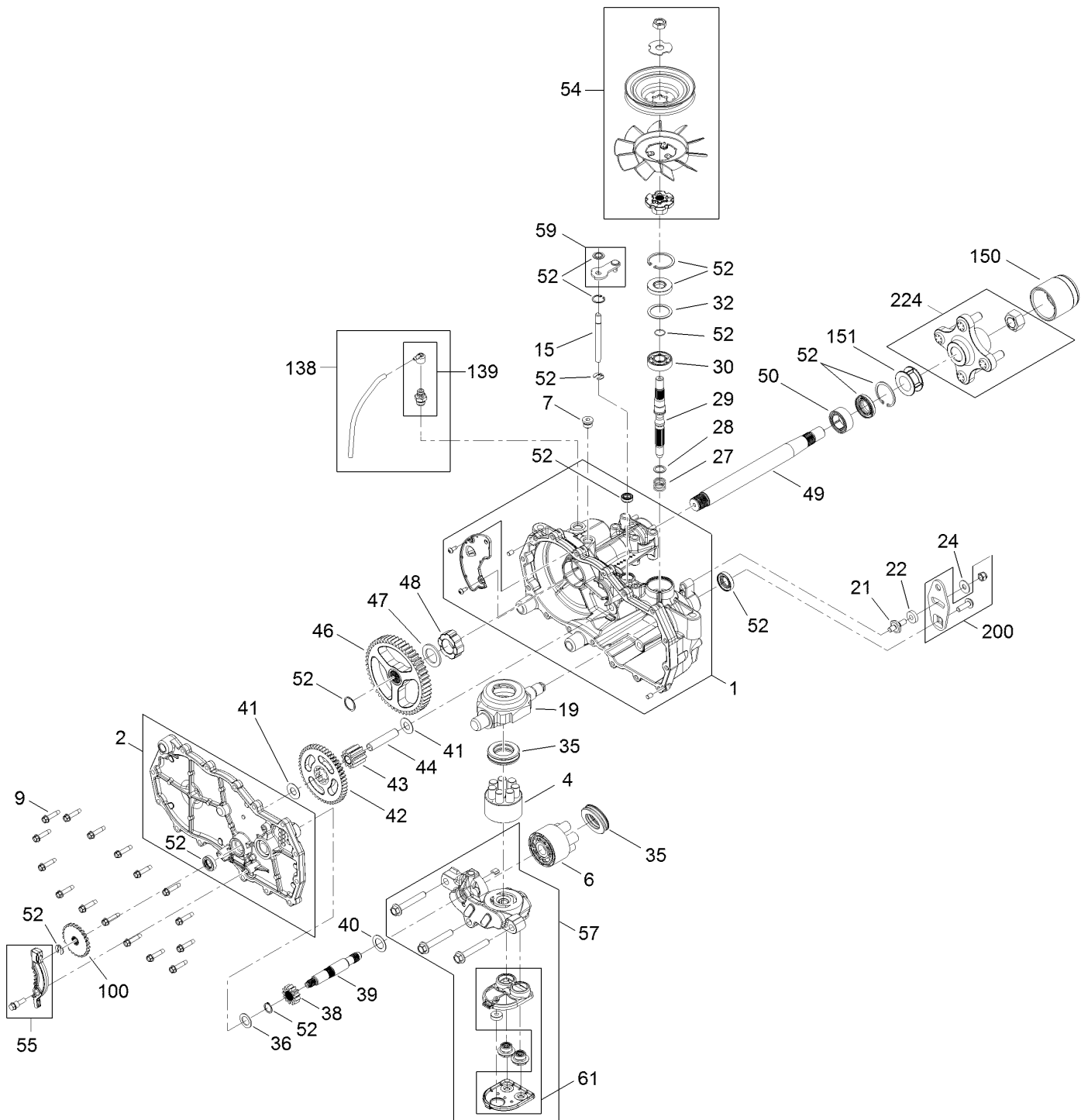
| <i>Ref.</i> | <i>Part Number</i> | <i>Qty.</i> | <i>Description</i> |
|-------------|--------------------|-------------|----------------------|
| 3 | 3230-8 | 1 | Screw-CARR |
| 6 | 104-8300 | 2 | Nut-Flange, NI |
| 7 | 322-7 | 1 | Screw-HH |
| 8 | 104-6415 | 1 | Spring-Return, Pedal |
| 9 | 5-4460 | 1 | Washer-Pivot |
| 10 | 119-3309 | 1 | V-Belt |
| 11 | 119-8822 | 1 | Pulley-Idler |
| 12 | 106-2176 | 1 | Pulley-Idler |
| 13 | 119-3326 | 1 | Arm-Idler |
| 14 | 119-3353 | 1 | Spacer |
| 15 | 119-3327 | 1 | Spacer-Arm, Idler |
| 25 | 3256-3 | 1 | Washer-Flat |



Hydro Transaxle Assembly

| Ref. | Part Number | Qty. | Description | Ref. | Part Number | Qty. | Description |
|-------|-------------|------|------------------------|------|-------------|------|--------------------|
| 1 | 119-3341 | 1 | RH Hydro Transaxle ASM | 19 | 121-2971 | 1 | Rod-Bypass, LH |
| 2 | 119-3340 | 1 | LH Hydro Transaxle ASM | 20 | 324-10 | 4 | Screw-HH |
| 4 | 322-11 | 4 | Screw-HH | 21 | 119-3339-03 | 1 | Plate-Cross, Hydro |
| 5 | 322-13 | 4 | Screw-HH | 22 | 3234-29 | 4 | Screw-HHF |
| 6 | 104-8300 | 12 | Nut-Flange, NI | 23 | 3290-307 | 2 | Pin-Hair |
| 16 | 120-5523 | 2 | Wheel And Tire ASM | 24 | 121-0752 | 1 | Rod-Bypass, RH |
| 16:1 | 119-8907 | 1 | Tire | 26 | 3296-48 | 6 | Nut-Lock, NI |
| 16:2 | 107-2475 | 1 | Wheel | 27 | 3256-25 | 6 | Washer-Flat |
| 16:3 | 232-27 | 1 | Stem-Valve | 28 | 324-8 | 2 | Screw-HH |
| 16:99 | 107-2491 | 1 | Tube-Tire | 29 | 3256-22 | 2 | Washer-Flat |
| 17 | 242-50 | 8 | Nut-Lug | 30 | 3256-23 | 6 | Washer-Flat |
| 18 | 117-7264-03 | 2 | Mount-Hydro | | | | |

Right Hand Hydro Transaxle Assembly No. 119-3341

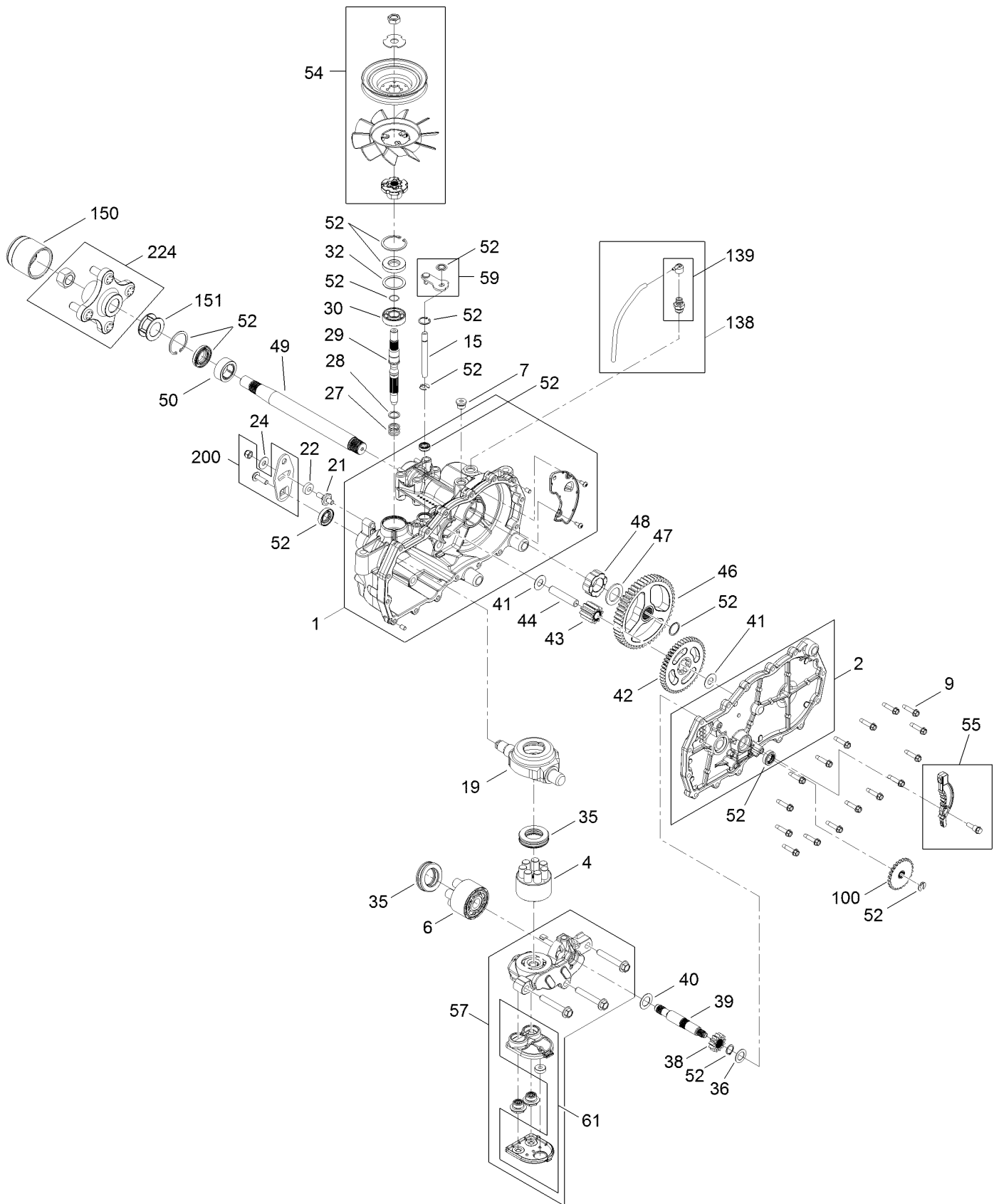


Right Hand Hydro Transaxle Assembly No. 119-3341 (continued)

| <i>Ref.</i> | <i>Part Number</i> | <i>Qty.</i> | <i>Description</i> | <i>Ref.</i> | <i>Part Number</i> | <i>Qty.</i> | <i>Description</i> |
|-------------|--------------------|-------------|-----------------------|-------------|--------------------|-------------|---------------------------|
| 1 | 106-8674 | 1 | Main Housing ASM | 42 | 104-5317 | 1 | Gear-10T/48T |
| 2 | 106-8675 | 1 | Side ASM | 43 | 104-5318 | 1 | Gear-Jackshaft, 10T |
| 4 | 110-8561 | 1 | Pump Block ASM | 44 | 104-5329 | 1 | Pin-Jackshaft |
| 6 | 103-2666 | 1 | Cylinder Block Kit | 46 | 112-9855 | 1 | Gear-52T, Bull |
| 7 | 104-2189 | 1 | Plug-Thread, Straight | 47 | 112-9856 | 1 | Washer |
| 9 | 104-5305 | 16 | Screw-HHF | 48 | 112-9857 | 1 | Bearing-Sleeve |
| 15 | 106-8678 | 2 | Rod-Bypass | 49 | 121-5732 | 1 | Shaft-Axle |
| 19 | 104-5304 | 1 | Swashplate-Trunnion | 50 | 112-9859 | 1 | Bushing-Axle |
| 21 | 104-2116 | 1 | Stud | 52 | 106-8686 | 1 | Seal Kit |
| 22 | 112-9853 | 1 | Puck-Friction | 54 | 121-5729 | 1 | Fan Pulley Kit |
| 24 | 114-8491 | 1 | Washer | 55 | 106-8688 | 1 | Brake Arm Kit |
| 27 | 120-5537 | 1 | Spring-Compression | 57 | 112-9862 | 1 | Center Section Filter Kit |
| 28 | 120-5538 | 1 | Washer | 58 | 104-2147 | 1 | Sealant ● |
| 29 | 104-5306 | 1 | Shaft-Input | 59 | 107-2489 | 1 | Bypass Arm Kit |
| 30 | 104-5311 | 1 | Bearing-Ball | 61 | 114-1634 | 1 | Filter Kit |
| 32 | 104-5308 | 1 | Spacer | 100 | 106-8694 | 1 | Disc-Brake, Cog |
| 35 | 94-6922 | 2 | Bearing-Thrust | 138 | 112-9866 | 1 | Breather Kit |
| 36 | 104-5339 | 1 | Washer-Flat | 139 | 114-1635 | 1 | Breather ASM |
| 38 | 104-5316 | 1 | Gear-Pinion, 13T | 150 | 121-5733 | 1 | Cap-Axle |
| 39 | 106-8683 | 1 | Shaft-Motor | 151 | 121-5734 | 1 | Tube-Axle |
| 40 | 104-5360 | 1 | Washer | 200 | 117-5362 | 1 | Arm Control Kit |
| 41 | 119-5541 | 2 | Washer | 224 | 109-3538 | 1 | Hub Kit |

● Not illustrated

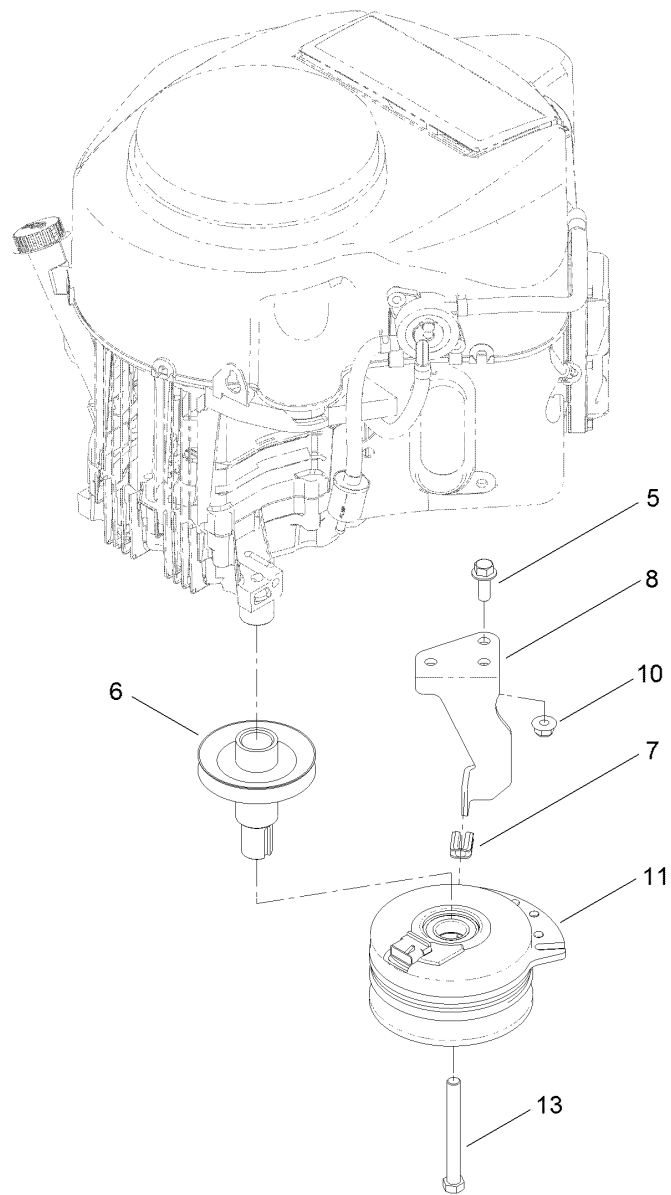
Left Hand Hydro Transaxle Assembly No. 119-3340



Left Hand Hydro Transaxle Assembly No. 119-3340 (continued)

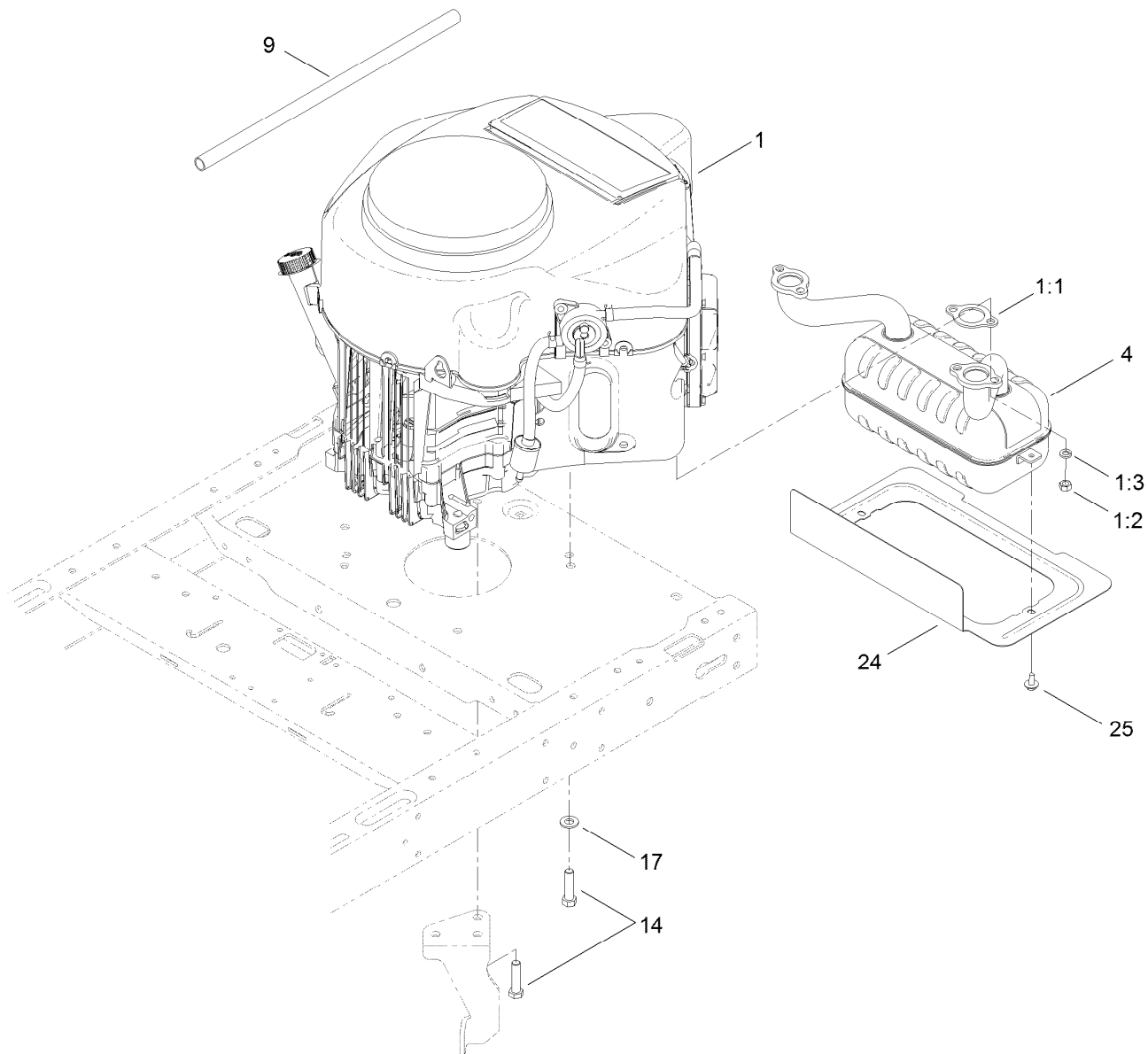
| <i>Ref.</i> | <i>Part Number</i> | <i>Qty.</i> | <i>Description</i> | <i>Ref.</i> | <i>Part Number</i> | <i>Qty.</i> | <i>Description</i> |
|-------------|--------------------|-------------|-----------------------|-------------|--------------------|-------------|---------------------------|
| 1 | 106-8695 | 1 | Main Housing ASM | 42 | 104-5317 | 1 | Gear-10T/48T |
| 2 | 106-8696 | 1 | Side ASM | 43 | 104-5318 | 1 | Gear-Jackshaft, 10T |
| 4 | 110-8561 | 1 | Pump Block ASM | 44 | 104-5329 | 1 | Pin-Jackshaft |
| 6 | 103-2666 | 1 | Cylinder Block Kit | 46 | 112-9855 | 1 | Gear-52T, Bull |
| 7 | 104-2189 | 1 | Plug-Thread, Straight | 47 | 112-9856 | 1 | Washer |
| 9 | 104-5305 | 16 | Screw-HHF | 48 | 112-9857 | 1 | Bearing-Sleeve |
| 15 | 106-8678 | 1 | Rod-Bypass | 49 | 121-5732 | 1 | Shaft-Axle |
| 19 | 104-5304 | 1 | Swashplate-Trunnion | 50 | 112-9859 | 1 | Bushing-Axle |
| 21 | 104-2116 | 1 | Stud | 52 | 106-8686 | 1 | Seal Kit |
| 22 | 112-9853 | 1 | Puck-Friction | 54 | 121-5729 | 1 | Fan Pulley Kit |
| 24 | 114-8491 | 1 | Washer | 55 | 106-8688 | 1 | Brake Arm Kit |
| 27 | 120-5537 | 1 | Spring-Compression | 57 | 112-9861 | 1 | Center Section Filter Kit |
| 28 | 120-5538 | 1 | Washer | 58 | 104-2147 | 1 | Sealant ● |
| 29 | 104-5306 | 1 | Shaft-Input | 59 | 120-5549 | 1 | Bypass Kit |
| 30 | 104-5311 | 1 | Bearing-Ball | 61 | 114-1634 | 1 | Filter Kit |
| 32 | 104-5308 | 1 | Spacer | 100 | 106-8694 | 1 | Disc-Brake, Cog |
| 35 | 94-6922 | 2 | Bearing-Thrust | 138 | 112-9866 | 1 | Breather Kit |
| 36 | 104-5339 | 1 | Washer-Flat | 139 | 114-1635 | 1 | Breather ASM |
| 38 | 104-5316 | 1 | Gear-Pinion, 13T | 150 | 121-5733 | 1 | Cap-Axle |
| 39 | 106-8683 | 1 | Shaft-Motor | 151 | 121-5734 | 1 | Tube-Axle |
| 40 | 104-5360 | 1 | Washer | 200 | 117-5362 | 1 | Arm Control Kit |
| 41 | 119-5541 | 2 | Washer | 224 | 109-3538 | 1 | Hub Kit |

● Not illustrated



Clutch Assembly

| <i>Ref.</i> | <i>Part Number</i> | <i>Qty.</i> | <i>Description</i> |
|-------------|--------------------|-------------|--------------------|
| 5 | 3234-42 | 1 | Screw-HHF |
| 6 | 119-3318 | 1 | Pulley-Engine |
| 7 | 120-2217 | 1 | Isolator-Clutch |
| 8 | 119-8884 | 1 | Stop-Clutch |
| 10 | 104-8301 | 1 | Nut-Flange, NI |
| 11 | 117-7468 | 1 | Clutch-Electric |
| 13 | 3212-16 | 1 | Screw-HH |

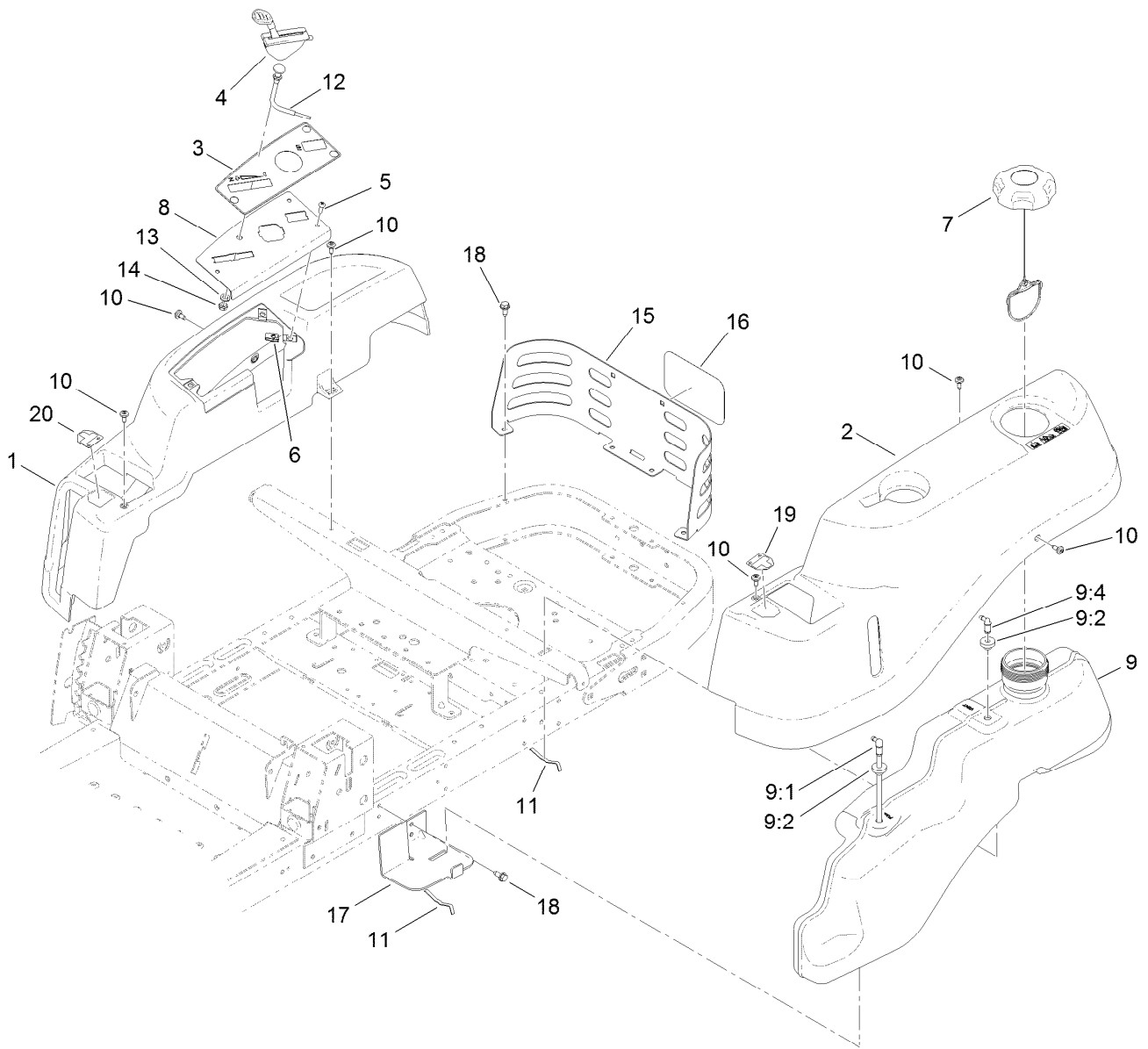


Engine and Muffler Assembly

| Ref. | Part Number | Qty. | Description |
|------|-------------|------|-----------------------------------|
| 1 | | 1 | Engine-Kawasaki, Fr691V-_s07-R ●■ |
| 1:1 | 1-653313 | 2 | Gasket-Exhaust |
| 1:2 | 114-3549 | 4 | Nut |
| 1:3 | 114-3550 | 4 | Washer-Lock, Spring |
| 4 | 117-7256 | 1 | Muffler-Kawasaki |
| 9 | 106-7022 | 1 | Tube-Drain, Oil |
| 14 | 323-50 | 4 | Bolt-HH |
| 17 | 3256-24 | 3 | Washer-Flat |
| 24 | 121-2973-03 | 1 | Shield-Heat |
| 25 | 46-8560 | 2 | Screw-HHFTF |

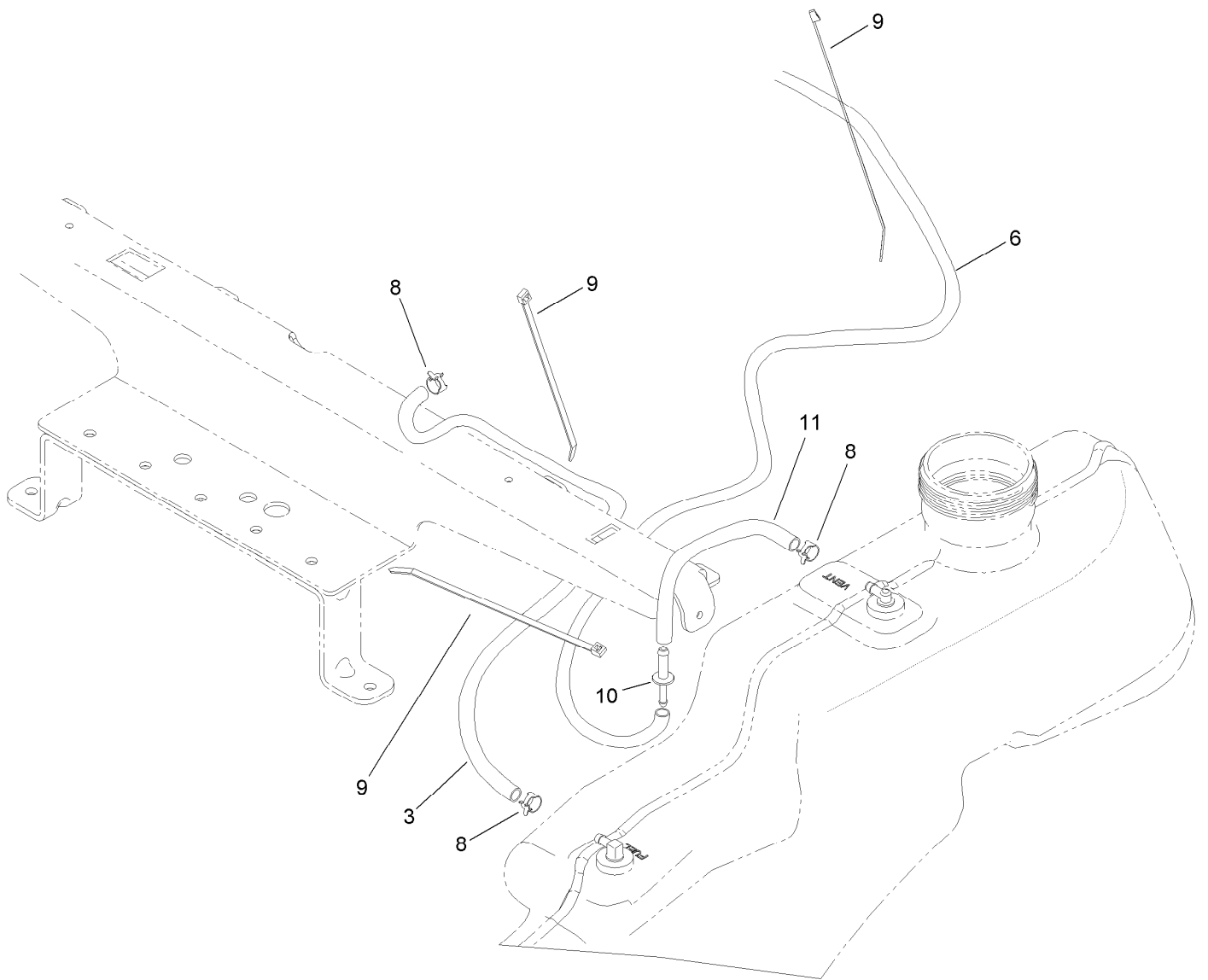
● Not serviced separately

■ Obtain parts from www.kawpowerpc.com



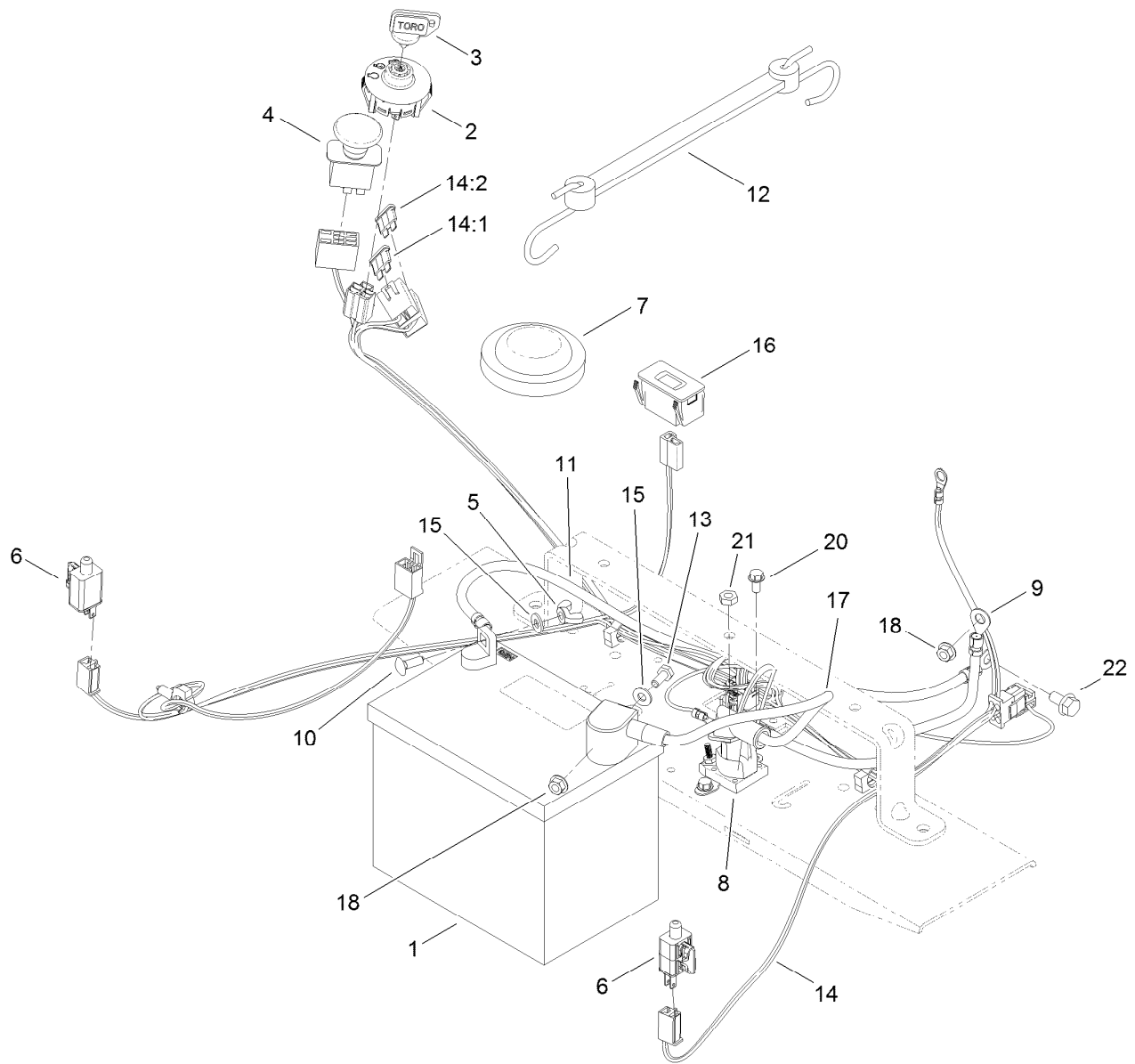
Body Styling and Fuel Pod Assembly

| <i>Ref.</i> | <i>Part Number</i> | <i>Qty.</i> | <i>Description</i> | <i>Ref.</i> | <i>Part Number</i> | <i>Qty.</i> | <i>Description</i> |
|-------------|--------------------|-------------|-------------------------|-------------|--------------------|-------------|-------------------------|
| 1 | 119-3335 | 1 | Pod-RH | 10 | 120-7950 | 6 | Screw-Shoulder |
| 2 | 119-3334 | 1 | Pod-LH | 11 | 609830 | 2 | Spring |
| 3 | 121-0772 | 1 | Decal-Panel, Control | 12 | 112-9753 | 1 | Cable-Choke |
| 4 | 121-0769 | 1 | Cable-Throttle | 13 | 3253-21 | 1 | Washer-Lock |
| 5 | 3258-166 | 3 | Screw-PRH | 14 | 3220-3 | 1 | Nut-HJ |
| 6 | 107069 | 3 | Clip | 15 | 119-8855-03 | 1 | Guard-Rear |
| 7 | 120-5461 | 1 | Cap-Fuel, Ratcheting | 16 | 105-8278 | 1 | Decal |
| 8 | 119-3378-03 | 1 | Plate-Control | 17 | 119-3476-03 | 1 | Support-Tank, Front |
| 9 | 119-3324 | 1 | Fuel Tank ASM | 18 | 32144-70 | 6 | Screw-HWHTF |
| 9:1 | 121-0793 | 1 | Connector-Elbow, 90 DEG | 19 | 119-8814 | 1 | Decal-Control Lever, LH |
| 9:2 | 46-6560 | 2 | Bushing | 20 | 119-8815 | 1 | Decal-Control Lever, RH |
| 9:4 | 117-7400 | 1 | Fitting-Plastic | | | | |



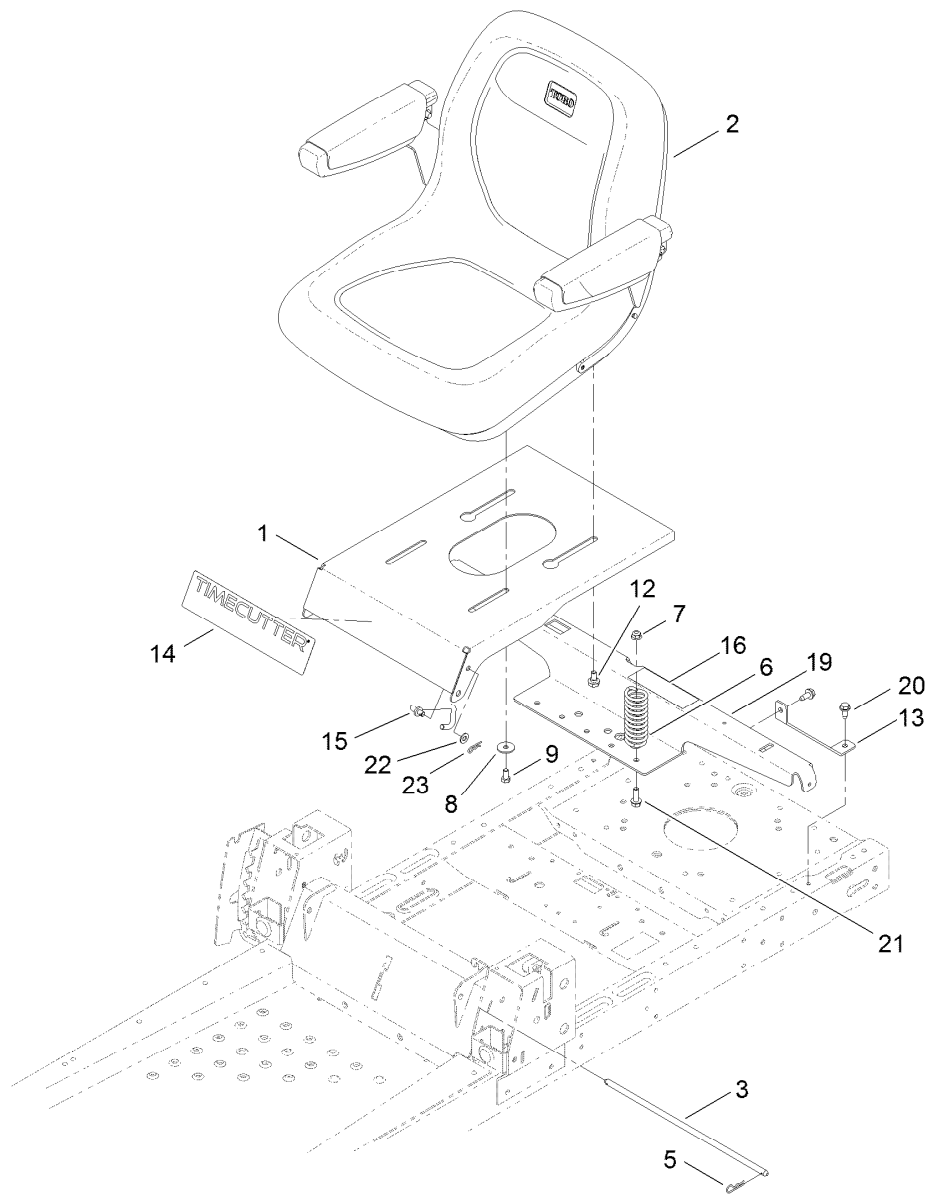
Fuel Delivery Assembly

| <i>Ref.</i> | <i>Part Number</i> | <i>Qty.</i> | <i>Description</i> |
|-------------|--------------------|-------------|--------------------|
| 3 | 109-0301 | 1 | Hose-Fuel |
| 6 | 51-3212 | 1 | Hose-Fuel |
| 8 | 2412-98 | 3 | Clamp-Hose |
| 9 | 614249 | 3 | Tie-Cable |
| 10 | 117-5399 | 1 | Adaptor-Orifice |
| 11 | 110-1876 | 1 | Hose-Fuel |



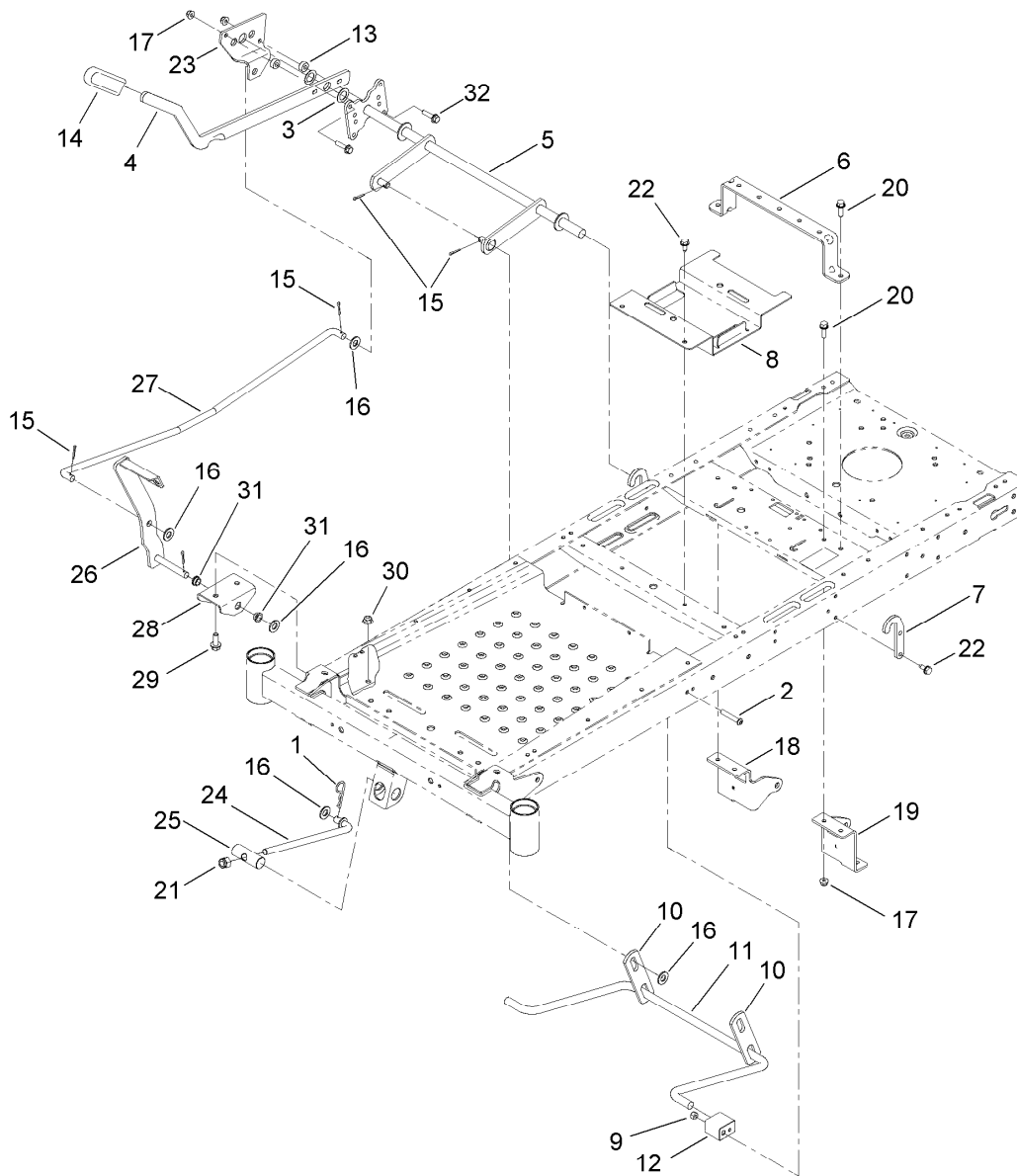
Battery and Electrical Assembly

| <i>Ref.</i> | <i>Part Number</i> | <i>Qty.</i> | <i>Description</i> | <i>Ref.</i> | <i>Part Number</i> | <i>Qty.</i> | <i>Description</i> |
|-------------|--------------------|-------------|-------------------------|-------------|--------------------|-------------|--------------------|
| 1 | 105-1692 | 1 | Battery | 13 | 321-3 | 1 | Screw-HH |
| 2 | 117-2221 | 1 | Switch-Ignition | 14 | 121-5652 | 1 | Harness-Wire |
| 3 | 63-8360 | 1 | Key-Ignition (W/Shield) | 14:1 | 109103 | 1 | Fuse-Blade, 30 Amp |
| 4 | 103-5221 | 1 | Switch-PTO | 14:2 | 109102 | 1 | Fuse-Blade, 25 Amp |
| 5 | 32103-22 | 1 | Nut-Wing | 15 | 3256-22 | 2 | Washer-Flat |
| 6 | 110-6765 | 2 | Switch-Single Pole No | 16 | 120-2244 | 1 | Hourmeter |
| 7 | 100-3524 | 1 | Switch-Seat | 17 | 119-8897 | 1 | Cable-Battery, Red |
| 8 | 117-1197 | 1 | Solenoid | 18 | 32128-33 | 2 | Nut-HF |
| 9 | 119-8898 | 1 | Cable-Battery, Red | 20 | 32144-4 | 2 | Screw-HWH |
| 10 | 3229-1 | 1 | Bolt-CARR | 21 | 3220-2 | 2 | Nut-Jam |
| 11 | 119-8899 | 1 | Cable-Battery, Black | 22 | 33104-016 | 1 | Screw-HHF |
| 12 | 104-2466 | 1 | Holddown-Battery | | | | |



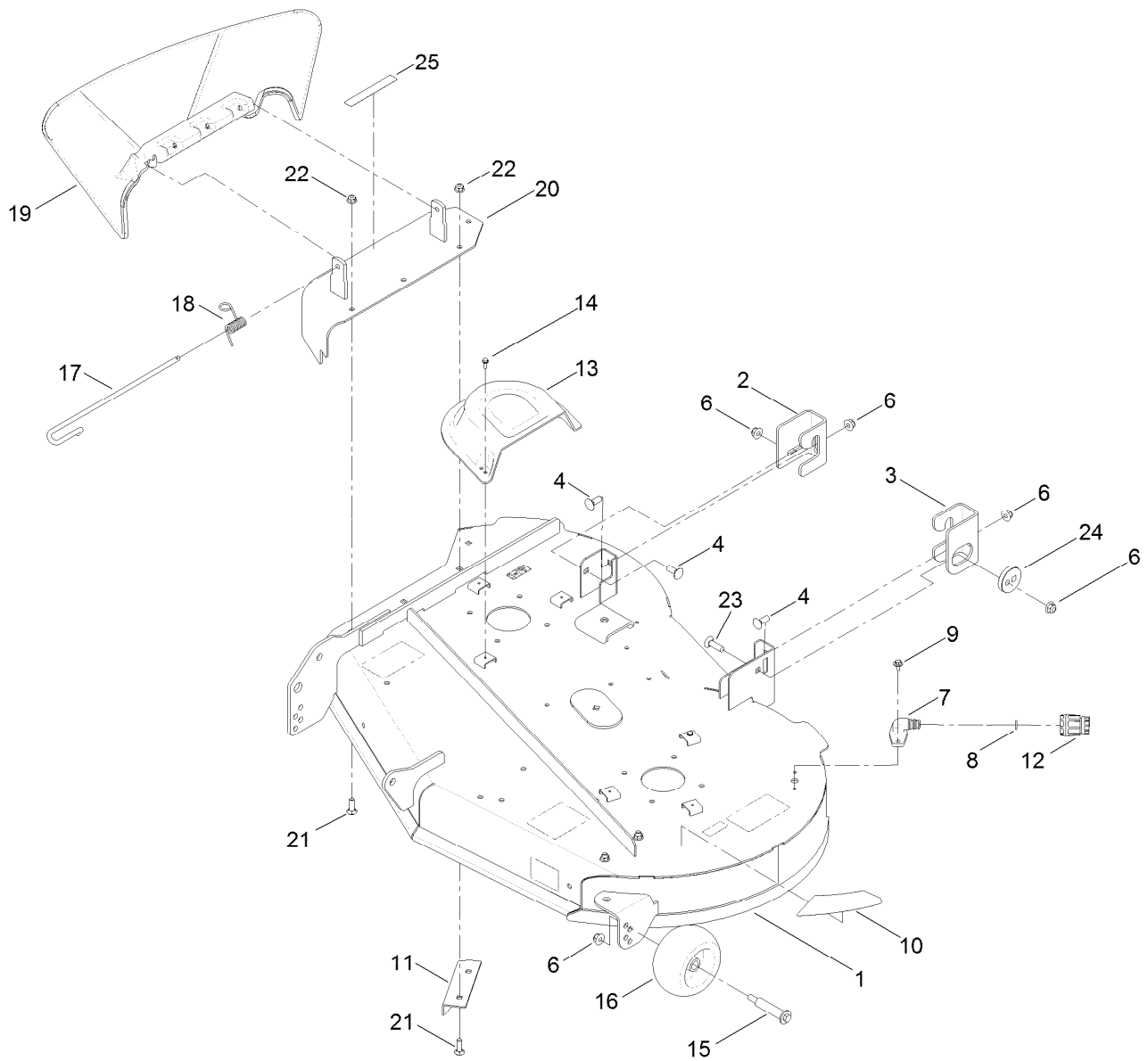
Seat Assembly

| <i>Ref.</i> | <i>Part Number</i> | <i>Qty.</i> | <i>Description</i> | <i>Ref.</i> | <i>Part Number</i> | <i>Qty.</i> | <i>Description</i> |
|-------------|--------------------|-------------|--------------------|-------------|--------------------|-------------|--------------------|
| 1 | 119-3391-03 | 1 | Pan-Seat | 13 | 119-3431-03 | 2 | Support-Tank, Rear |
| 2 | 119-8830 | 1 | Seat-18 In | 14 | 121-3018 | 1 | Decal-Timecutter |
| 3 | 119-3433 | 1 | Rod-Pivot, Narrow | 15 | 119-8972 | 1 | Stop-Seat |
| 5 | 3290-250 | 2 | Pin-Hair | 16 | 106-8717 | 1 | Decal-Service |
| 6 | 92-7054 | 3 | Spring-Compression | 19 | 121-0732-03 | 1 | Support-Pod |
| 7 | 104-8300 | 3 | Nut-Flange, NI | 20 | 32144-70 | 4 | Screw-HWHTF |
| 8 | 5-4460 | 2 | Washer-Pivot | 21 | 3234-29 | 3 | Screw-HHF |
| 9 | 322-2 | 2 | Screw-HH | 22 | 3256-23 | 1 | Washer-Flat |
| 12 | 37-8771 | 2 | Bolt-Shoulder | 23 | 3290-307 | 1 | Pin-Hair |



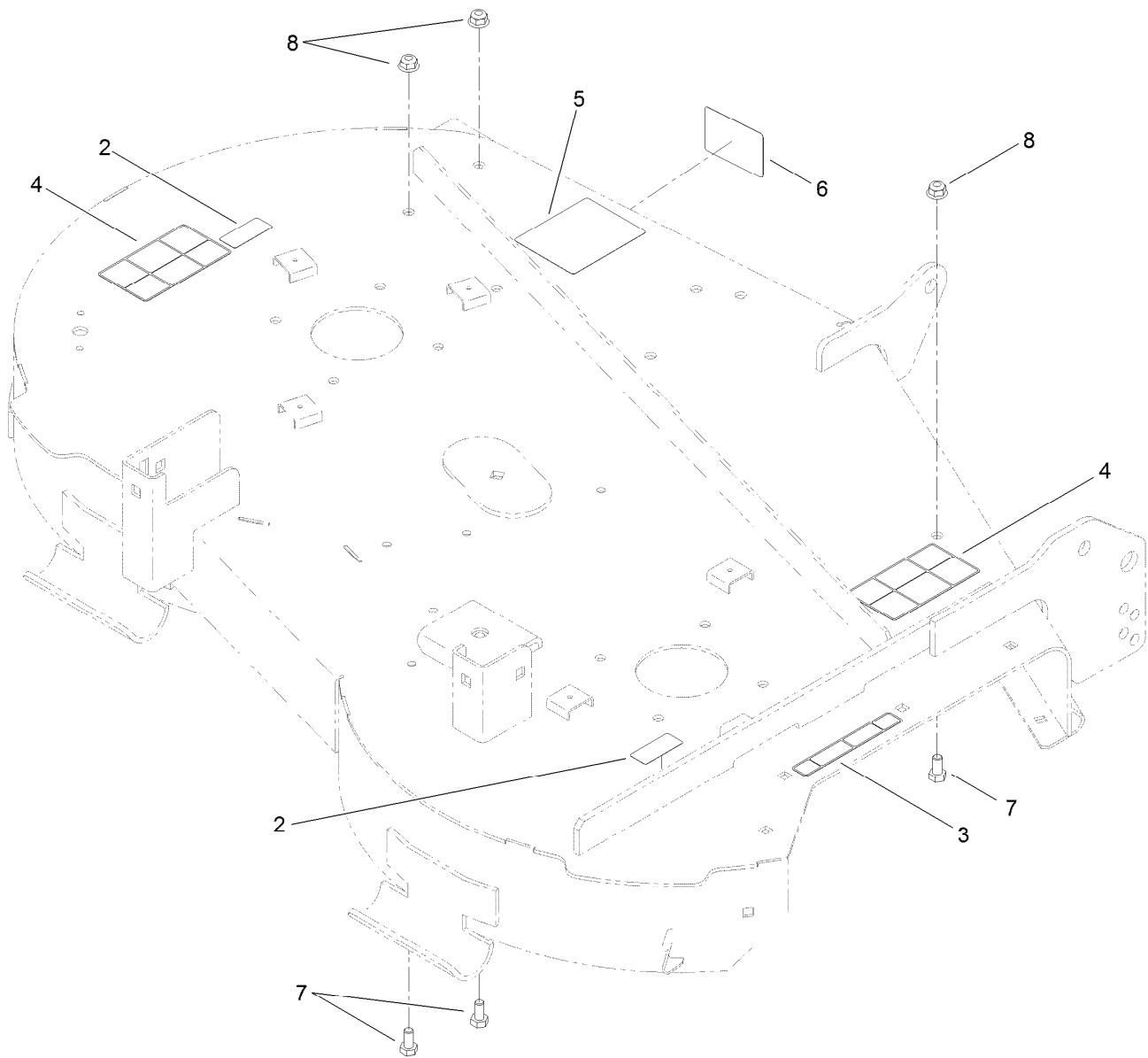
Deck Lift Assembly

| Ref. | Part Number | Qty. | Description | Ref. | Part Number | Qty. | Description |
|------|-------------|------|------------------|------|-------------|------|-----------------------|
| 1 | 1-806005 | 1 | Pin-Hair | 17 | 104-8300 | 6 | Nut-Flange, NI |
| 2 | 120-5499 | 2 | Screw-HSBH | 18 | 119-8861-01 | 1 | Mount-Hydro, Front RH |
| 3 | 3-6498 | 2 | Washer-Thrust | 19 | 119-8862-01 | 1 | Mount-Hydro, Front LH |
| 4 | 119-3427-03 | 1 | Lever-Lift | 20 | 3234-29 | 4 | Screw-HHF |
| 5 | 117-7346-03 | 1 | Lift-Deck | 21 | 3296-19 | 1 | Nut-Hex |
| 6 | 119-3435-03 | 1 | Brace-Seat, Rear | 22 | 32144-70 | 6 | Screw-HWHTF |
| 7 | 119-8875 | 2 | Bracket-Lift | 23 | 120-2275 | 1 | Plate-Footlift |
| 8 | 119-3406-03 | 1 | Bracket-Battery | 24 | 104-8047 | 1 | Rod-Trunion |
| 9 | 3296-29 | 2 | Nut-Lock, NI | 25 | 119-8810 | 1 | Pin-Pivot |
| 10 | 108-7840 | 2 | Link-Lift | 26 | 120-2276-03 | 1 | Pedal |
| 11 | 108-7839 | 1 | Arm-Lift, Rear | 27 | 120-2242 | 1 | Rod-Footlift |
| 12 | 108-7845 | 2 | Block-Pivot | 28 | 120-2294-03 | 1 | Bracket-Footlift |
| 13 | 121-1759 | 2 | Spacer | 29 | 3234-42 | 2 | Screw-HHF |
| 14 | 1-633268 | 1 | Grip-Lever | 30 | 104-8301 | 2 | Nut-Flange, NI |
| 15 | 3272-10 | 5 | Pin-Cotter | 31 | 256-156 | 2 | Bushing-Flange |
| 16 | 3256-26 | 6 | Washer-Flat | 32 | 3234-36 | 2 | Screw-HHF |



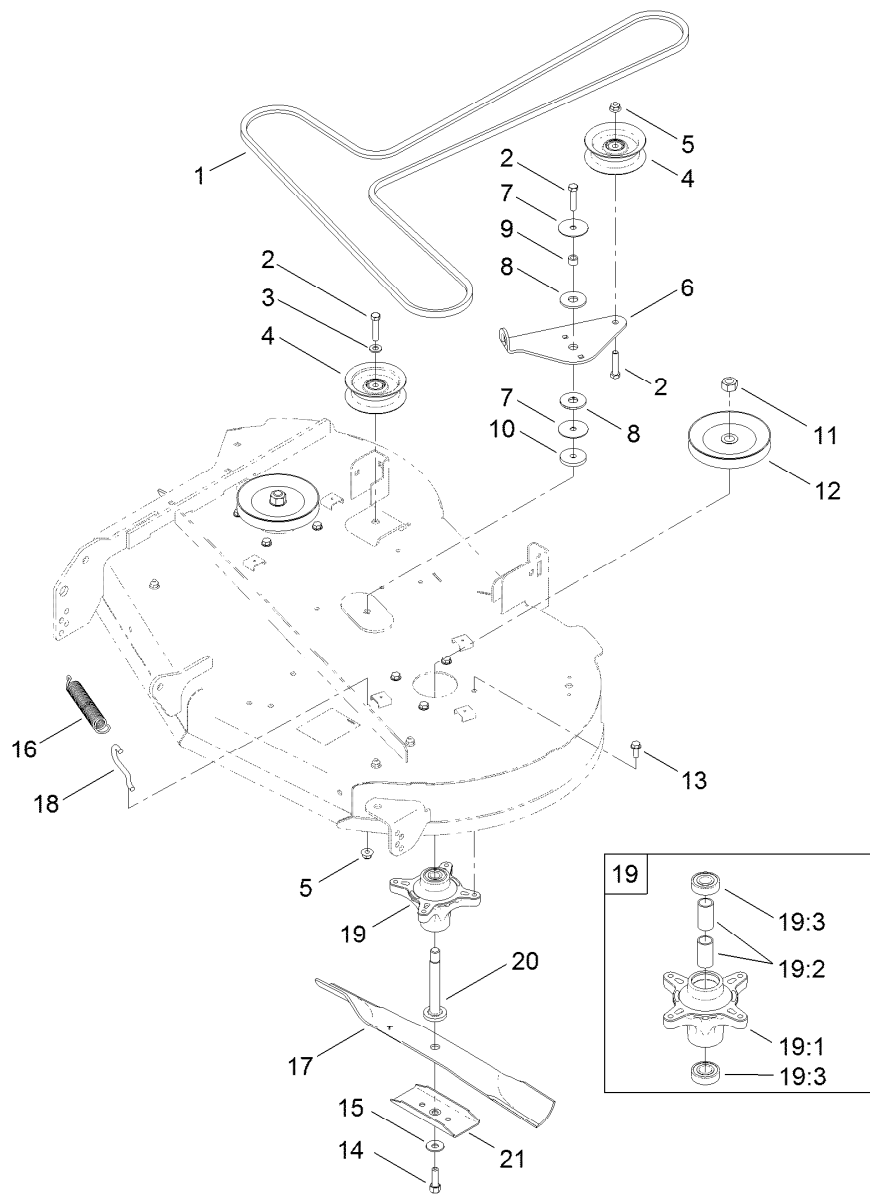
42 Inch Deck and Deflector Assembly

| Ref. | Part Number | Qty. | Description | Ref. | Part Number | Qty. | Description |
|------|-------------|------|----------------------------|------|-------------|------|-------------------------|
| 1 | 121-0733 | 1 | 42 Inch Deck And Decal ASM | 14 | 32144-1 | 6 | Screw-Taptite |
| 2 | 119-3494 | 1 | Bracket-Hanger, RH | 15 | 112-3977 | 2 | Bolt-Shoulder |
| 3 | 121-0797 | 1 | Bracket-Hanger, LH | 16 | 1-603299 | 2 | Roller-Scalp, Anti |
| 4 | 3231-2 | 3 | Bolt-CARR | 17 | 109-8854 | 1 | Pin-Chute |
| 6 | 104-8301 | 6 | Nut-Flange, NI | 18 | 121-2983 | 1 | Spring-Torsion |
| 7 | 95-2747 | 1 | Fitting-Washout | 19 | 121-0739 | 1 | Deflector-Discharge |
| 8 | 46-6290 | 1 | O-Ring, Seal | 20 | 120-7945-01 | 1 | Discharge Cover ASM |
| 9 | 46-8560 | 2 | Screw-HHFTF | 21 | 3230-22 | 4 | Screw-CARR |
| 10 | 121-0791 | 1 | Decal-Deck | 22 | 104-8300 | 4 | Nut-Flange, NI |
| 11 | 120-7951-03 | 1 | Baffle-Cutoff | 23 | 3231-28 | 1 | Screw-CARR |
| 12 | 95-3270 | 1 | Connector-Hose | 24 | 112-3980 | 1 | Eccentric |
| 13 | 108-7889 | 2 | Cover-Belt | 25 | 93-7009 | 1 | Decal-Danger, Deflector |



42 Inch Deck and Decal Assembly No. 121-0733

| <i>Ref.</i> | <i>Part Number</i> | <i>Qty.</i> | <i>Description</i> |
|-------------|--------------------|-------------|-------------------------|
| 2 | 114-1606 | 2 | Decal-Danger |
| 3 | 93-7009 | 1 | Decal-Danger, Deflector |
| 4 | 110-6691 | 2 | Decal-Danger |
| 5 | 105-7015 | 1 | Decal-Routing, Belt |
| 6 | 112-9840 | 1 | Decal-Scalp, Anti |
| 7 | 322-2 | 3 | Screw-HH |
| 8 | 104-8300 | 3 | Nut-Flange, NI |



42 Inch Deck, Belt and Blade Assembly

| <i>Ref.</i> | <i>Part Number</i> | <i>Qty.</i> | <i>Description</i> | <i>Ref.</i> | <i>Part Number</i> | <i>Qty.</i> | <i>Description</i> |
|-------------|--------------------|-------------|----------------------------|-------------|--------------------|-------------|---------------------|
| 1 | 119-8819 | 1 | V-Belt | 13 | 32144-41 | 8 | Screw-Taptite |
| 2 | 323-9 | 3 | Screw-HH | 14 | 26-0671 | 2 | Screw-HH |
| 3 | 3256-24 | 1 | Washer-Flat | 15 | 3290-465 | 2 | Washer-Belleville |
| 4 | 106-2175 | 2 | Pulley-Idler, Flat | 16 | 106-2177 | 1 | Spring-Extension |
| 5 | 104-8301 | 2 | Nut-Flange, NI | 17 | 110-6568-03 | 2 | Blade-21.6 Inch |
| 6 | 114-8540 | 1 | Arm-Idler | 18 | 88-5970 | 1 | Hook-Return, Spring |
| 7 | 120-2229 | 2 | Washer-Idler Pivot | 19 | 121-0751 | 2 | Spindle ASM |
| 8 | 114-0463 | 2 | Washer-Friction, Composite | 19:1 | 117-7267 | 1 | Spindle |
| 9 | 115-4986 | 1 | Spacer | 19:2 | 120-7935 | 2 | Spacer |
| 10 | 110-9981 | 1 | Washer-Plain | 19:3 | 100-1048 | 2 | Bearing-Ball |
| 11 | 3219-6 | 2 | Nut-Hex | 20 | 117-7268 | 2 | Shaft-Spindle |
| 12 | 110-6864 | 2 | Pulley | 21 | 106-2248-03 | 2 | Stiffener-Blade |

Attachments and Accessories

For 74640 TimeCutter MX 4260 Riding Mower

| Product Name | Model/Part |
|--|-------------------|
| Bagging Enhancement Kit | 121-5698 |
| Striping Kit | 121-5702 |
| Sunshade Kit, 2011 and After Zero-Turn-Radius Riding Mower | 79011 |
| Hitch Kit | 79014 |
| 42in Recycler Kit..... | 79023 |
| Cargo Carrier | 79030 |
| Front Weight Kit | 79031 |
| 42in Replacement Blade Kit..... | 79220 |
| Storage Cover | 79317 |
| 42in Bagger | 79336 |
| 10 cu. ft. Poly Dump Cart | 79991 |

Notes:

Notes:

Notes:



Count on it.