



Count on it.

Parts Catalog

**TITAN® ZX4820 Zero-Turn-Radius
Riding Mower**

Model No. 74841—Serial No. 313000001 and Up



Ordering Replacement Parts

To order replacement parts, please supply the part number, the quantity, and the description of each part desired.

Understanding Reference Numbers

Each identified part in an illustration has a reference number. The reference number for a part also appears in the parts list, along with other information about the part.

This catalog uses two special reference number formats, one to indicate parts in a service assembly and another to indicate the quantity of a given part in an illustration.

Service Assembly Reference Numbers

Parts in service assemblies have reference numbers in the form a:b. The a represents the reference number of the entire service assembly and the b represents a sequential number unique to each part within the service assembly.

For example, a wheel assembly might be identified by reference number 6, the tire by 6:1, the valve by 6:2, and the wheel by 6:3. When you order the assembly identified by reference number 6, you receive all parts identified by reference numbers 6:1, 6:2, and 6:3. However, you may also order any part individually. Reference numbers of this type appear in illustration and in parts lists.

Reference Numbers Indicating Quantity

In an illustration, if a reference number indicates more than one part, the reference number has the form nX y. The n represents the quantity of the part, the X is the multiplication symbol, and the y represents the reference number.

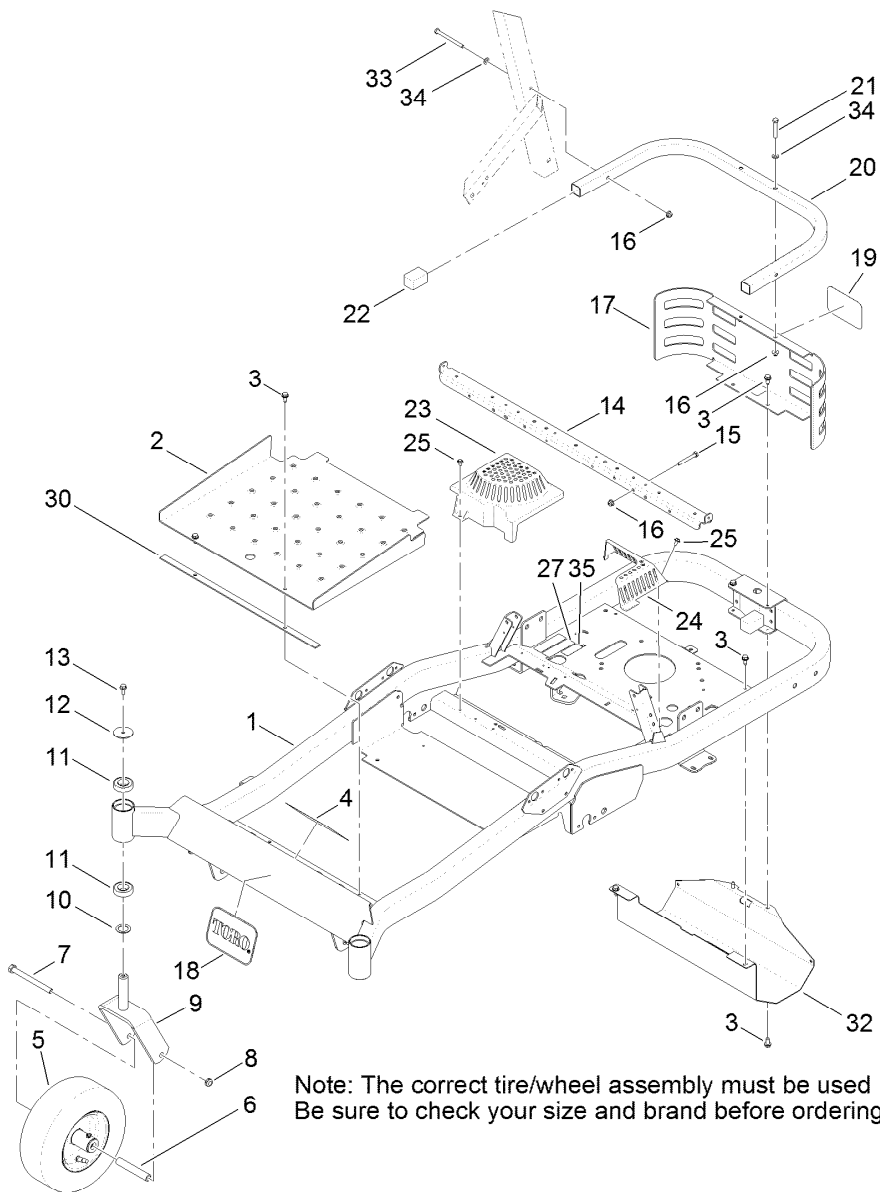
For example, in an illustration, the reference number 2X 37 means that two of the parts identified by reference number 37 are indicated.

List of Abbreviations

AR: as required	HLH: hex lag head	PTO: power-take-off
ASM: assembly	HOC: height-of-cut	RH: right hand
BBC: blade brake control	HSBH: hex socket button head	ROPS: roll-over protection system
BHTF: button head thread forming	HSFH: hex socket flat head	RRB: rear roller brush
CARR: carriage	HSH: hex socket head	SFH: slotted fillister head
CCW: counter clockwise	HWH: hex washer head	SHH: slotted hex head
CW: clockwise	HWHTF: hex washer head thread forming	SHWH: slotted hex washer head
DEG: degrees	HYD: hydraulic	SPH: slotted pan head
DPA: Dual Point Adjustment	LH: left hand	SQH: square head
ECM: electronic control module	LP: Liquefied Petroleum Gas	SRH: slotted round head
EXT: external	LPG: Liquefied Petroleum Gas	STD: standard
FH: flat head	NI: nylon insert	TAP: self tapping
GA: gauge	NPTF: national pipe thread fine	TTH: torx truss head
HD: heavy-duty	PFH: phillips flat head	
HF: hex flange	PPH: phillips pan head	
HH: hex head	PPHTF: phillips pan head thread forming	
HHF: hex head flange	PRH: phillips round head	
HHFTF: hex head flange thread forming	PTH: phillips truss head	
HJ: hex jam		

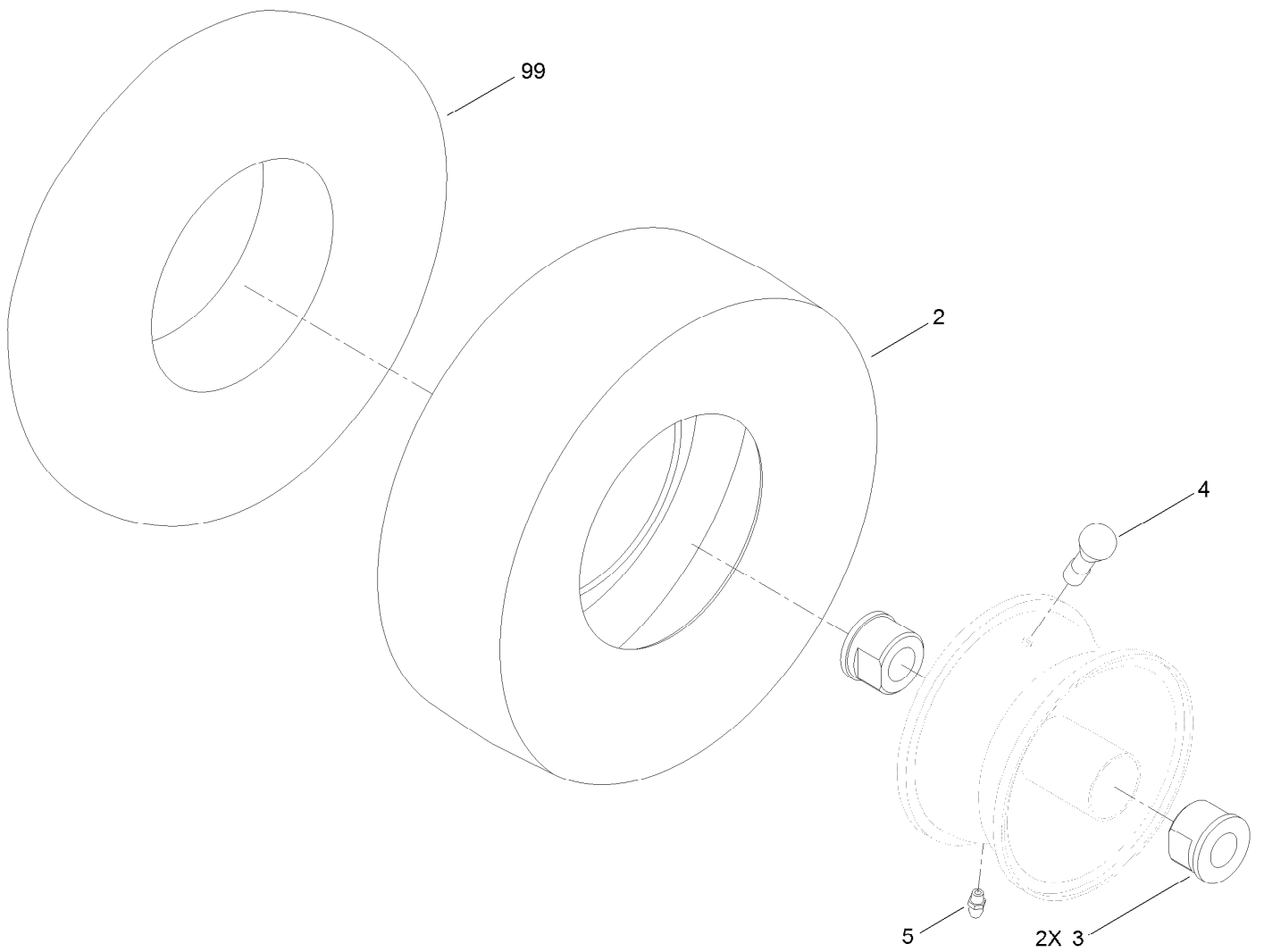
Contents

Main Frame and Caster Wheel Assembly	4
Tire And Wheel Assembly No. 115-2554	5
Tire And Wheel Assembly No. 125-1822	6
Control Panel and Body Styling Pod Assembly	7
Deck Lift Assembly	8
Traction Drive Assembly	9
RH Hydro Assembly No. 115-2550	10
LH Hydro Assembly No. 115-2551	12
Motion Control Assembly	14
Seat Assembly	16
Brake Link Assembly	17
Engine, Muffler and Clutch Assembly	18
Fuel Delivery Assembly	19
Multi Layer Fuel Tank Assembly No. 117-7352	20
Roll-Over Protection System Assembly	21
Electrical Assembly	22
48 Inch Deck Assembly	23
48 Inch Deck Decal Assembly No. 119-3383	24
48 Inch Deck, Belt and Mulch Blade Assembly	25
Attachments and Accessories	26



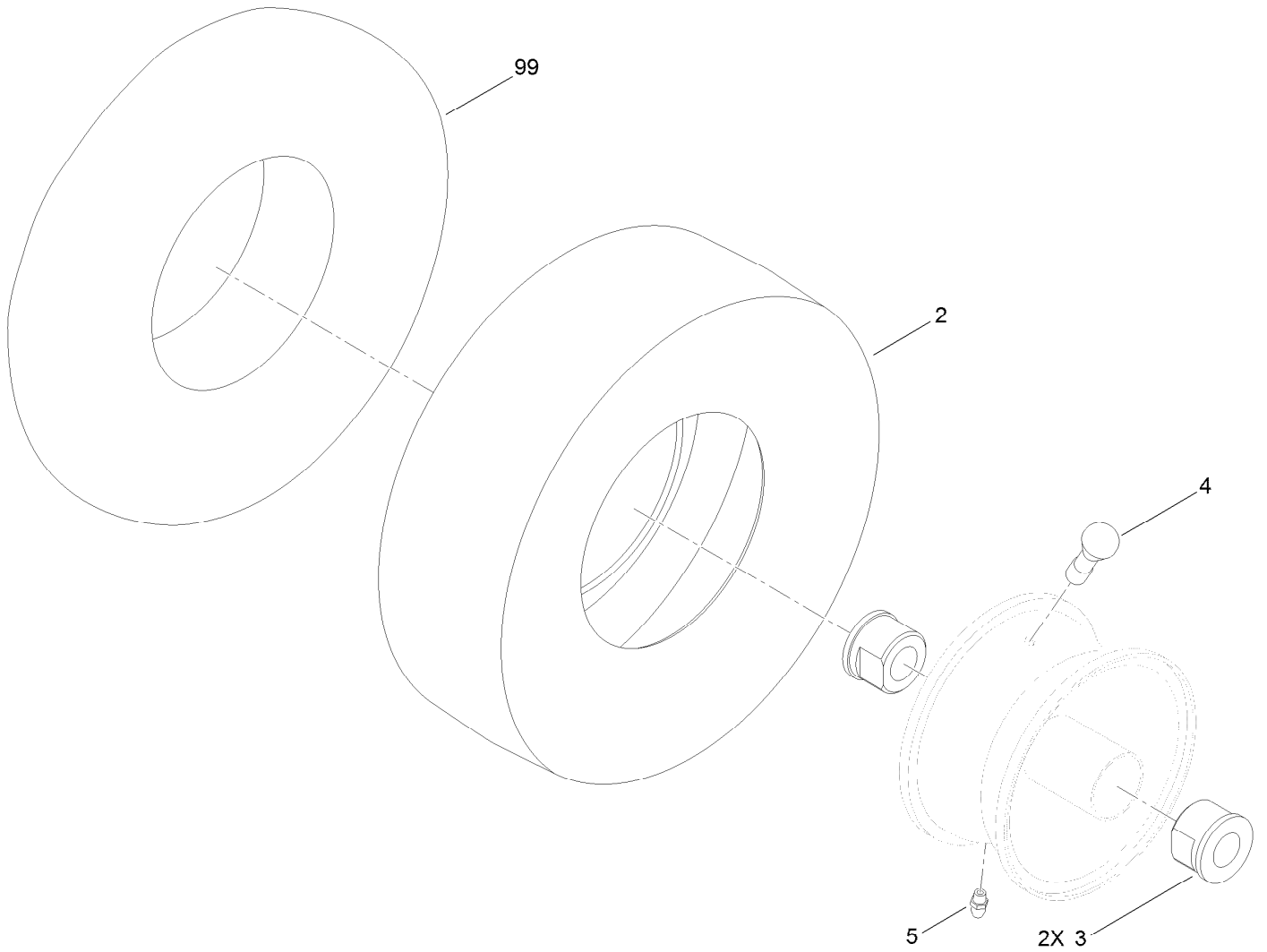
Main Frame and Caster Wheel Assembly

Ref.	Part Number	Qty.	Description	Ref.	Part Number	Qty.	Description
1	117-7356-01	1	Frame	16	104-8300	6	Nut-Flange, NI
2	115-2531-05	1	Pan-Floor	17	120-2248-03	1	Guard-Rear
3	32144-70	8	Screw-HWHTF	18	62-5550	1	Decal
4	120-5466	1	Decal-Safety	19	105-8278	1	Decal
5	115-2554	2	Tire And Wheel ASM (Kenda)	20	121-0704-01	1	Tube-Guard
5	125-1822	2	Tire And Wheel ASM (C S T)	21	322-10	2	Screw-HH
6	104-3667	2	Spanner-Wheel	22	121-2980	2	Cap
7	325-22	2	Screw-HH	23	117-1241	1	Cover-Fan, RH
8	3296-45	2	Nut-Lock, NI	24	117-1242	1	Cover-Fan, LH
9	110-6634-01	2	Caster Fork ASM	25	46-8560	2	Screw-HHFTF
10	10-8110	2	Washer-Thrust	27	121-3279	1	Decal-Emissions, E P A
11	109-3678	4	Bearing-Ball	30	117-7238	1	Strip-Vibration, Anti
12	109-3724	2	Washer	32	120-2247-03	1	Guard-Muffler
13	3234-47	2	Screw-HHF	33	322-23	2	Screw-HH
14	119-8997-03	1	Support-Seat	34	3256-23	4	Washer-Flat
15	322-12	2	Screw-HH	35	121-5684	1	Decal-Location, Service Dealer



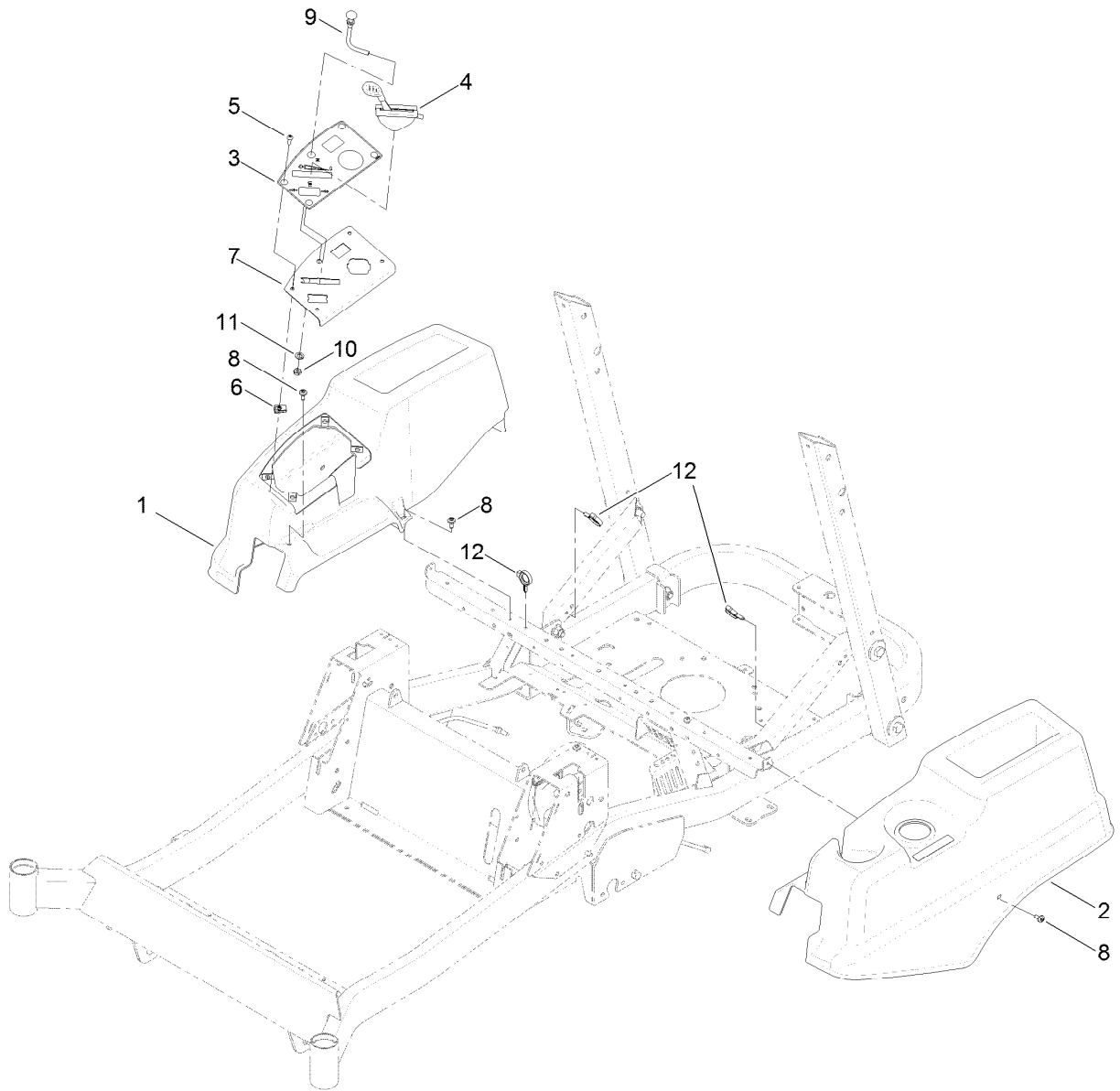
Tire And Wheel Assembly No. 115-2554

<i>Ref.</i>	<i>Part Number</i>	<i>Qty.</i>	<i>Description</i>
2	115-2557	1	Tire-Smooth
3	114-1640	2	Bushing-Flange
4	232-27	1	Stem-Valve
5	302-5	1	Fitting-Grease
99	117-1234	1	Tube-Inner



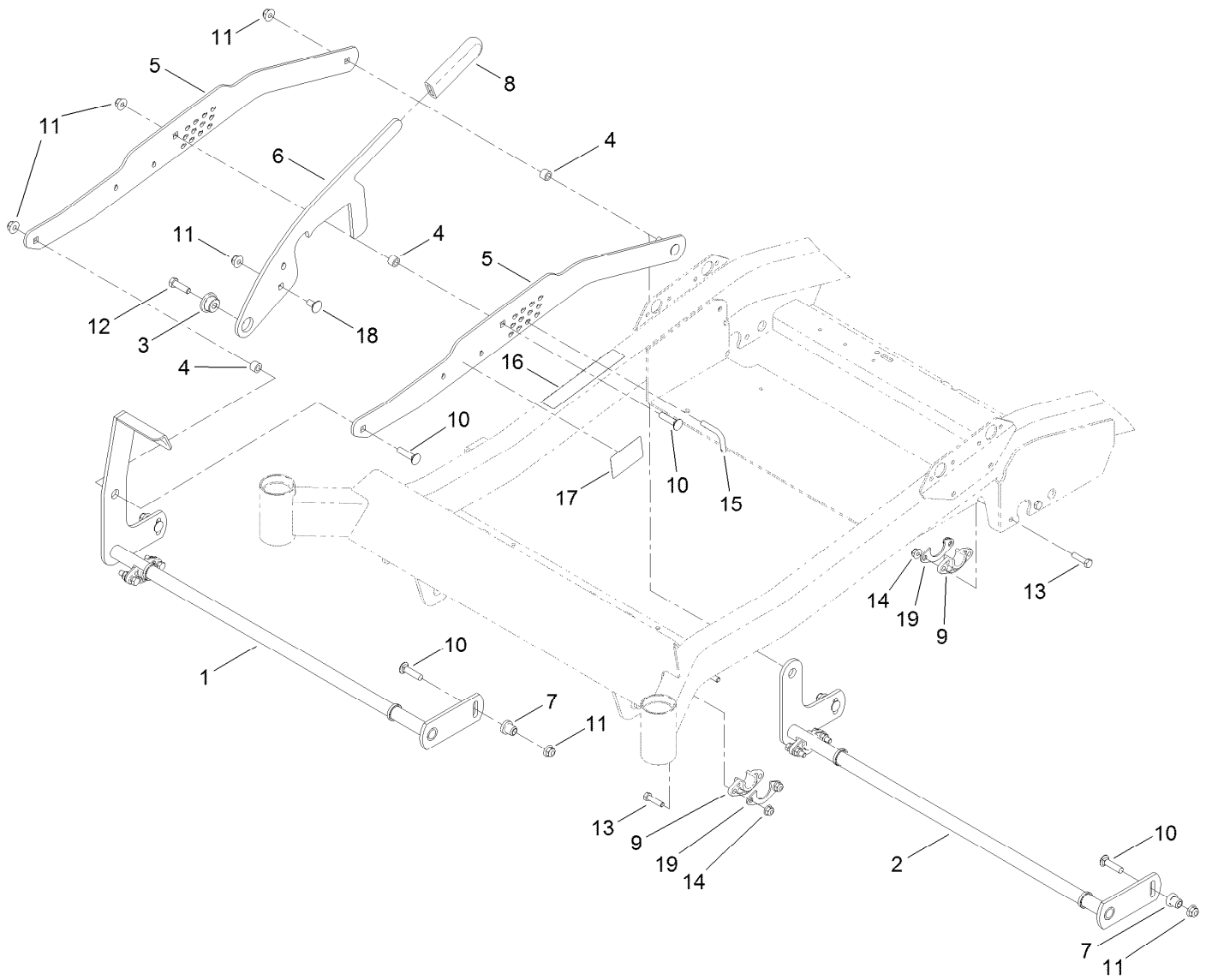
Tire And Wheel Assembly No. 125-1822

<i>Ref.</i>	<i>Part Number</i>	<i>Qty.</i>	<i>Description</i>
2	125-1823	1	Tire
3	114-1640	2	Bushing-Flange
4	232-27	1	Stem-Valve
5	302-5	1	Fitting-Grease
99	117-1234	1	Tube-Inner



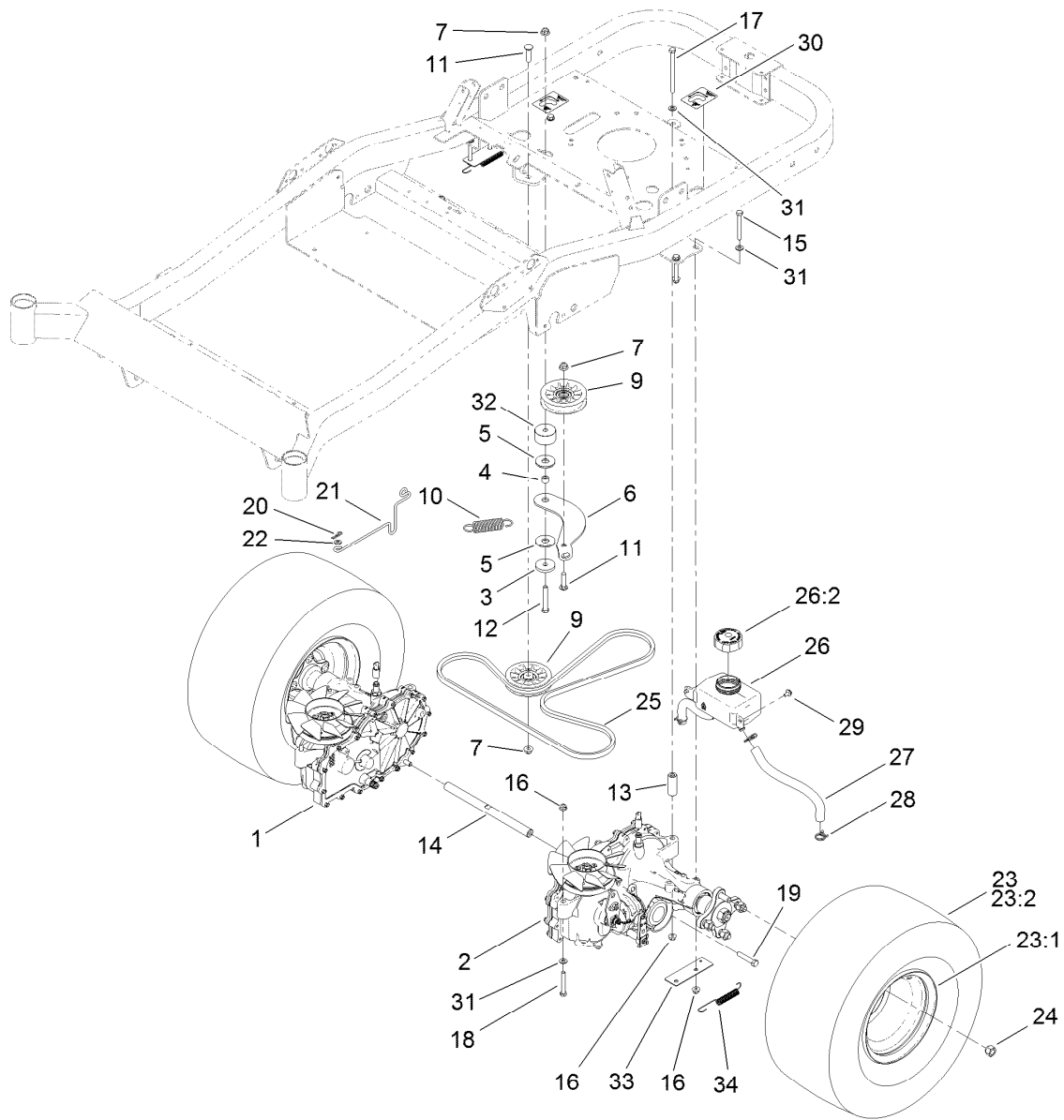
Control Panel and Body Styling Pod Assembly

<i>Ref.</i>	<i>Part Number</i>	<i>Qty.</i>	<i>Description</i>
1	115-2581	1	Pod-RH
2	115-2582	1	Pod-LH
3	115-9632	1	Decal-Panel, Control
4	121-0770	1	Cable-Throttle
5	3258-166	4	Screw-PRH
6	107069	4	Clip
7	115-2591-03	1	Panel-Control
8	120-7950	6	Screw-Shoulder
9	120-2291	1	Cable-Choke
10	3253-21	1	Washer-Lock
11	3220-3	1	Nut-HJ
12	105-1853	2	Clamp-Hose



Deck Lift Assembly

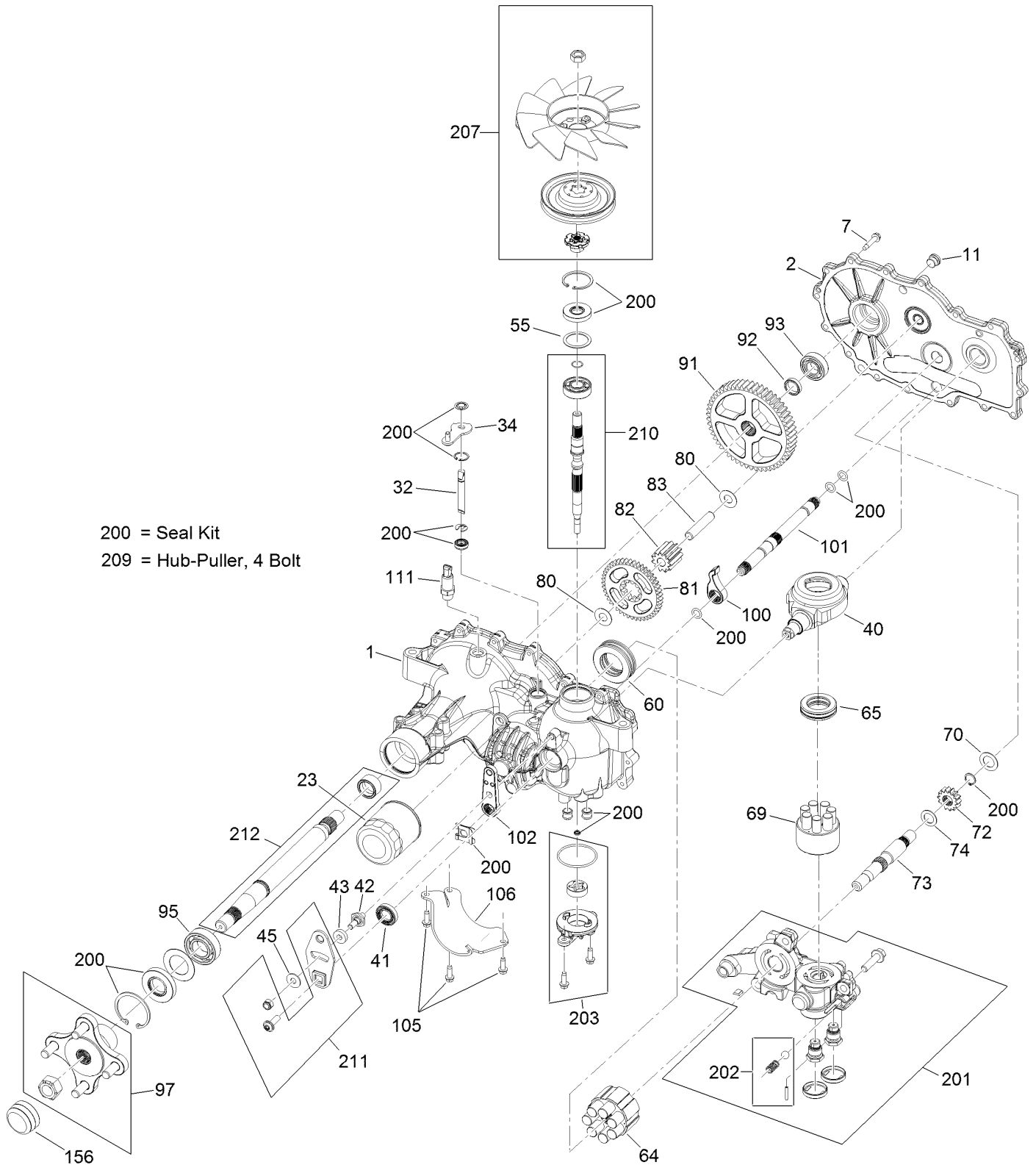
<i>Ref.</i>	<i>Part Number</i>	<i>Qty.</i>	<i>Description</i>	<i>Ref.</i>	<i>Part Number</i>	<i>Qty.</i>	<i>Description</i>
1	115-2495-03	1	Pivot-Front	11	104-8301	8	Nut-Flange, NI
2	115-2498-03	1	Pivot-Rear	12	323-7	1	Screw-HH
3	117-1281	1	Bushing-Mount, HOC	13	322-6	8	Screw-HH
4	115-4986	3	Spacer	14	104-8300	8	Nut-Flange, NI
5	115-2503-03	2	Plate-Lift, Foot	15	117-1280	1	Pin-Keyed
6	115-2504	1	Plate-Stop, HOC	16	115-9644	1	Decal-HOC
7	65-5950	4	Bushing-Pulley	17	117-5344	1	Decal-Lock, Deck
8	1-633268	1	Grip-Lever	18	3231-1	1	Screw-CARR
9	115-5065	4	Bushing-Flange	19	116-2887	4	Gusset-Deck Lift
10	3231-4	7	Screw-CARR				



Traction Drive Assembly

Ref.	Part Number	Qty.	Description	Ref.	Part Number	Qty.	Description
1	115-2550	1	RH Hydro Transmission ASM	19	323-10	2	Screw-HH
2	115-2551	1	LH Hydro Transmission ASM	20	1-806003	2	Pin-Cotter, Hair
3	110-9981	1	Washer-Plain	21	115-4990	2	Rod-Bypass
4	115-4986	1	Spacer	22	3256-22	2	Washer-Flat
5	114-0463	2	Washer-Friction, Composite	23	109-5486	2	Wheel And Tire ASM
6	117-5350	1	Arm-Idler	23:1	109-5487	1	Wheel
7	104-8301	3	Nut-Flange, NI	23:2	109-5488	1	Tire
9	109-3397	2	Pulley-Idler, Flat	24	242-50	8	Nut-Lug
10	1-603402	1	Spring-Extension	25	115-9613	1	V-Belt
11	3231-4	2	Screw-CARR	26	115-9618	1	HYD Reservoir ASM
12	323-12	1	Screw-HH	26:2	109-3320	1	Cap-Reservoir, HYD
13	109-3652	2	Spacer-Hydro	27	115-4969	2	Hose-Overflow
14	115-2559	1	Shaft-Cross, Hydro	28	117-1193	4	Clamp-Hose
15	322-13	4	Screw-HH	29	46-8560	2	Screw-HHFTF
16	104-8300	8	Nut-Flange, NI	30	117-1158	2	Decal-Bypass
17	322-38	2	Screw-HH	31	3256-23	8	Washer-Flat
18	322-11	2	Screw-HH	32	117-5351	1	Spacer
				33	117-7248-03	2	Plate-Spring
				34	110769	2	Spring-Extension

RH Hydro Assembly No. 115-2550



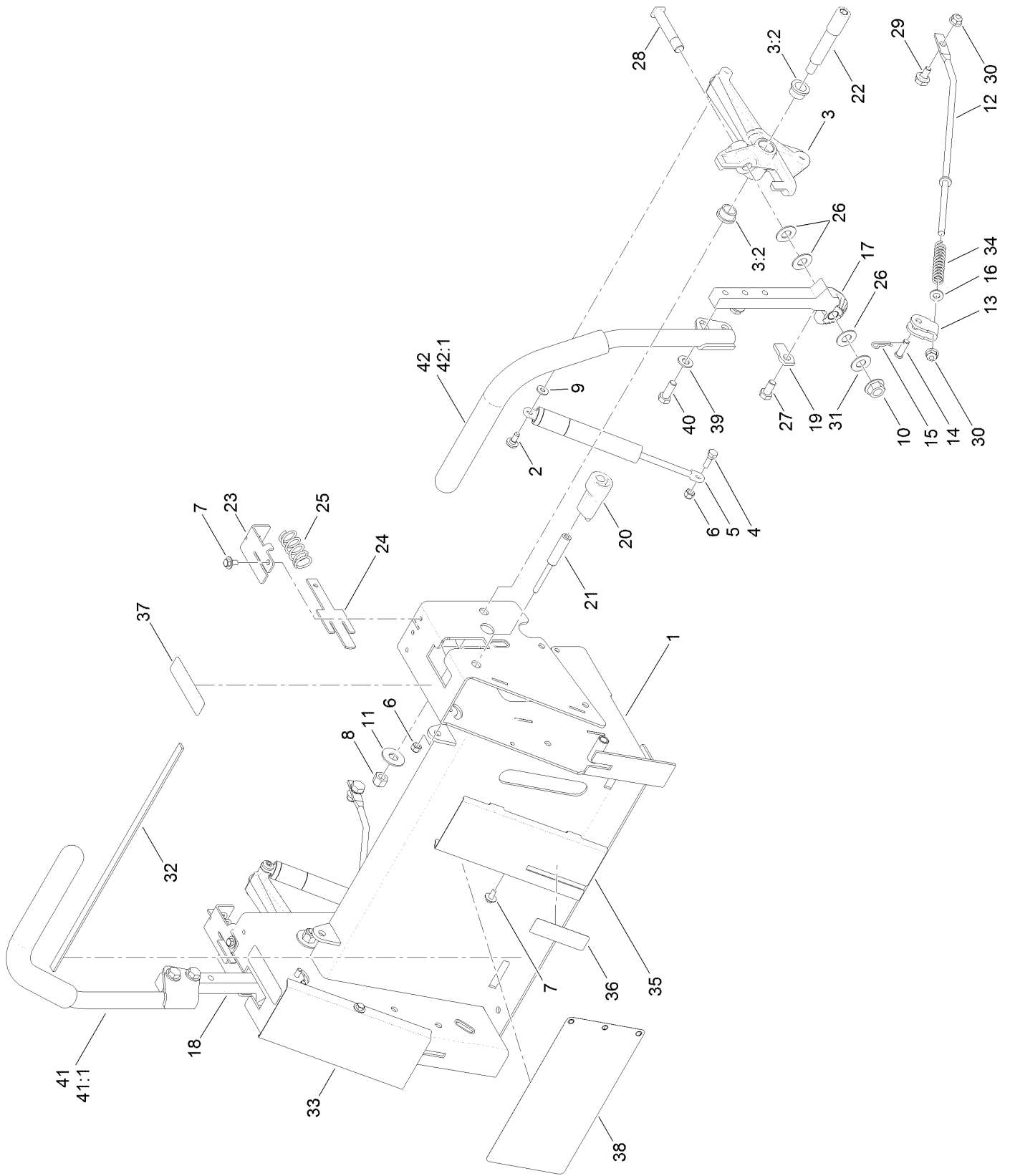
RH Hydro Assembly No. 115-2550 (continued)

<i>Ref.</i>	<i>Part Number</i>	<i>Qty.</i>	<i>Description</i>	<i>Ref.</i>	<i>Part Number</i>	<i>Qty.</i>	<i>Description</i>
1	117-5357	1	RH Main Housing Kit	82	114-1693	1	Gear-11T
2	117-5358	1	Housing Side Kit	83	104-5329	1	Pin-Jackshaft
7	117-5359	16	Screw-HHF	91	114-1694	1	Gear-54T
11	104-2189	1	Plug-Thread, Straight	92	120-7975	1	Spacer
23	109-3321	1	Element-Oil Filter, HYD	93	114-1696	1	Bearing-Ball
32	114-1685	1	Rod-Bypass	95	120-7976	1	Bearing-Ball
34	107-2490	1	Arm-Bypass	97	109-5939	1	Hub Kit
40	104-5304	1	Swashplate-Trunnion	100	114-1697	1	Pawl-Brake
41	104-5313	1	Seal-Lip	101	120-7977	1	Brake Shaft Kit
42	104-2116	1	Stud	102	125-0021	1	Handle-Brake
43	112-9853	1	Puck-Friction	105	104-2120	3	Screw
45	114-8491	1	Washer	106	120-7981	1	Guard-Filter, RH
55	104-5308	1	Spacer	111	109-3278	1	Adapter-Straight
60	112-4154	1	Bearing-Thrust	156	115-5057	1	Cover-Nut, Axle
64	114-1689	1	Motor Cylinder Block Kit	200	109-3537	1	Complete Seal Kit
65	94-6922	1	Bearing-Thrust	201	114-8463	1	RH Center Section Kit
69	110-8561	1	Pump Block ASM	202	114-8464	1	Charge Relief Kit
70	104-5339	1	Washer-Flat	203	114-8465	1	Charge Kit
72	114-1690	1	Gear-14T	207	125-0059	1	Fan And Pulley Kit
73	114-1691	1	Shaft-Motor	209	114-8467	1	Hub-Puller, 4 Bolt
74	104-5360	1	Washer	210	117-5361	1	Shaft Input Kit
80	94-1933	1	Washer	211	117-5362	1	Arm Control Kit
81	114-1692	1	Gear-45T	212	114-8470	1	Axle Shaft Kit

LH Hydro Assembly No. 115-2551 (continued)

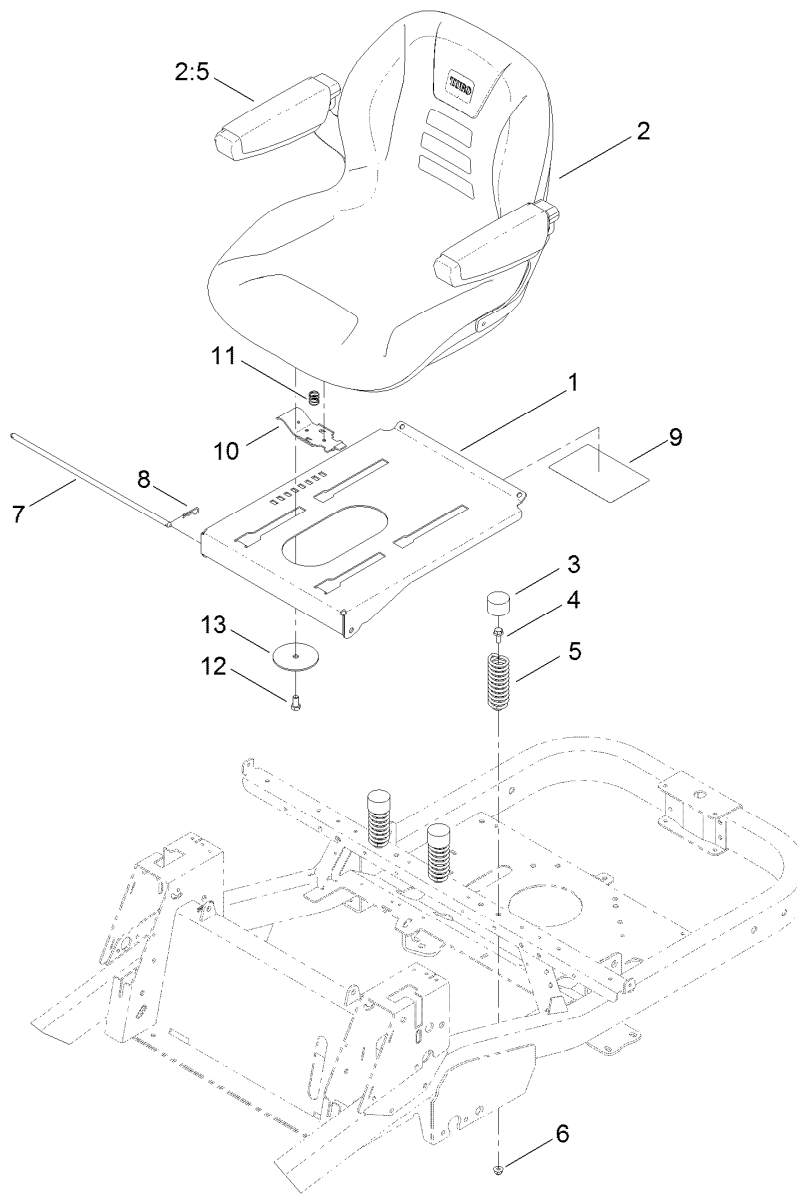
<i>Ref.</i>	<i>Part Number</i>	<i>Qty.</i>	<i>Description</i>	<i>Ref.</i>	<i>Part Number</i>	<i>Qty.</i>	<i>Description</i>
1	114-8471	1	Main Housing Kit	82	114-1693	1	Gear-11T
2	114-8472	1	Side Cover Kit	83	104-5329	1	Pin-Jackshaft
7	117-5359	16	Screw-HHF	91	114-1694	1	Gear-54T
11	104-2189	1	Plug-Thread, Straight	92	120-7975	1	Spacer
23	109-3321	1	Element-Oil Filter, HYD	93	114-1696	1	Bearing-Ball
32	114-1685	1	Rod-Bypass	95	120-7976	1	Bearing-Ball
34	107-2490	1	Arm-Bypass	97	109-5939	1	Hub Kit
40	104-5304	1	Swashplate-Trunnion	100	114-1697	1	Pawl-Brake
41	104-5313	1	Seal-Lip	101	120-7977	1	Brake Shaft Kit
42	104-2116	1	Stud	102	125-0021	1	Handle-Brake
43	112-9853	1	Puck-Friction	105	104-2120	3	Screw
45	114-8491	1	Washer	106	120-7979	1	Guard-Filter, LH
55	104-5308	1	Spacer	111	109-3278	1	Adapter-Straight
60	114-1688	1	Bearing-Thrust	156	115-5057	1	Cover-Nut, Axle
64	114-1689	1	Motor Cylinder Block Kit	200	109-3537	1	Complete Seal Kit
65	94-6922	1	Bearing-Thrust	201	114-8476	1	LH Center Section Kit
69	110-8561	1	Pump Block ASM	202	114-8464	1	Charge Relief Kit
70	104-5339	1	Washer-Flat	203	114-8465	1	Charge Kit
72	114-1690	1	Gear-14T	207	125-0059	1	Fan And Pulley Kit
73	114-1691	1	Shaft-Motor	209	114-8467	1	Hub-Puller, 4 Bolt
74	104-5360	1	Washer	210	117-5361	1	Shaft Input Kit
80	94-1933	2	Washer	211	117-5362	1	Arm Control Kit
81	114-1692	1	Gear-45T	212	114-8470	1	Axle Shaft Kit

Motion Control Assembly



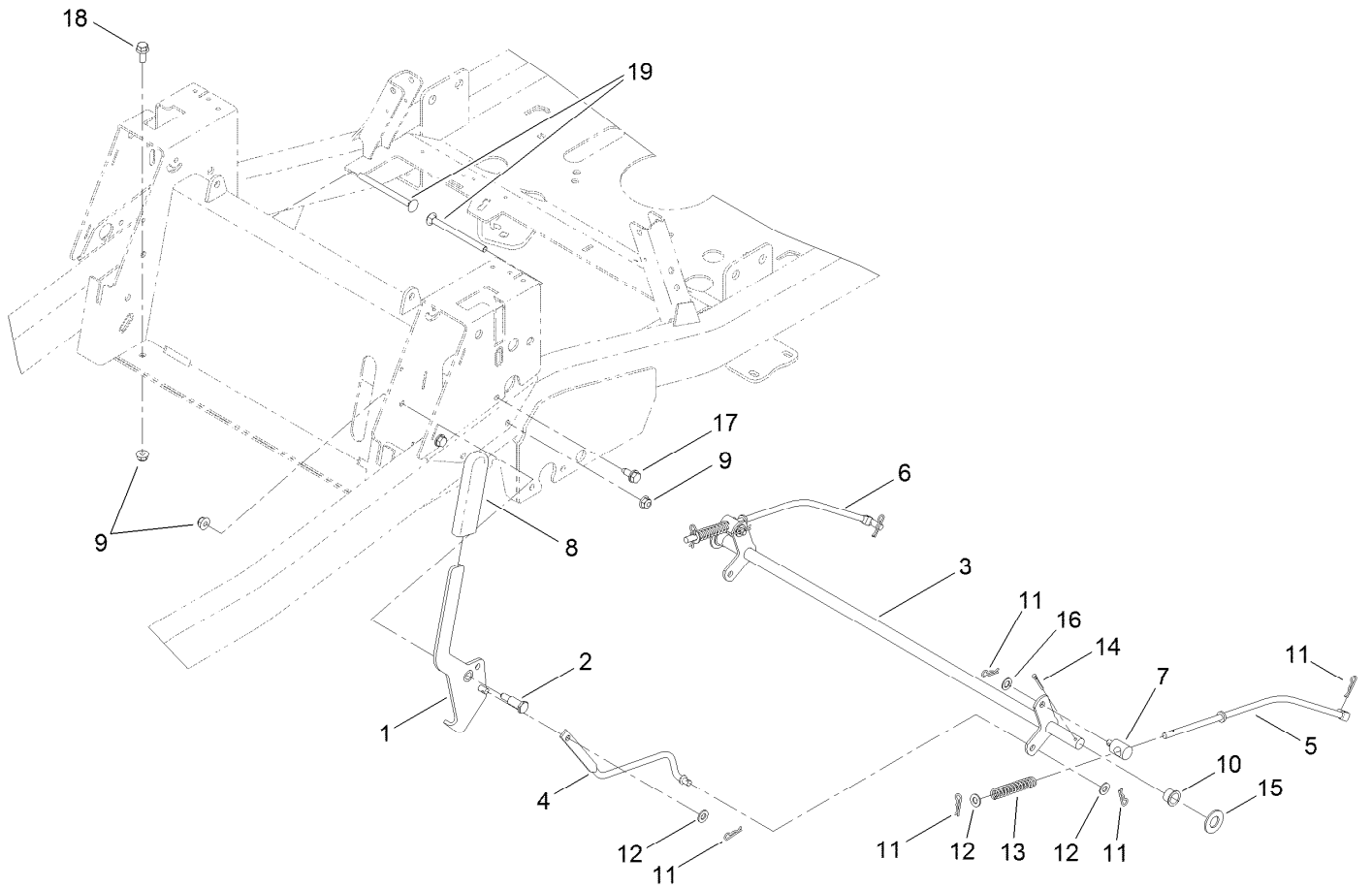
Motion Control Assembly (continued)

<i>Ref.</i>	<i>Part Number</i>	<i>Qty.</i>	<i>Description</i>	<i>Ref.</i>	<i>Part Number</i>	<i>Qty.</i>	<i>Description</i>
1	115-2546-03	1	Box-Control	23	110-6751	2	Bracket-Return
2	120-7950	2	Screw-Shoulder	24	110-6750	2	Plate-Return
3	110-6828	2	Activator Arm ASM	25	110-6752	2	Spring-Compression
3:2	105-3455	2	Bushing	26	110-6894	6	Washer-Pivot
4	106-2214	2	Bolt-Shoulder	27	323-4	2	Screw-HH
5	109-2339	2	Damper-Control, Motion	28	110-6784	2	Bolt-Shoulder
6	3296-42	4	Nut-Lock, NI	29	37-8771	2	Bolt-Shoulder
7	46-8560	4	Screw-HHFTF	30	104-8300	4	Nut-Flange, NI
8	3296-48	2	Nut-Lock, NI	31	112-9771	2	Washer-Teflon
9	119-8952	2	Washer	32	117-7237	1	Strip-Vibration, Anti
10	32128-23	2	Nut-HF	33	117-1255-03	1	Cover-Control, RH
11	3256-5	2	Washer-Flat	34	1-603807	2	Spring-Return, Neutral
12	117-7422	2	Rod-Control	35	115-2561-03	1	Cover-Control, LH
13	117-7423	2	Bracket-Control	36	115-9625	1	Decal
14	1-808280	2	Pin-Clevis	37	99-8936	2	Decal-Control, Motion
15	1-806003	2	Pin-Cotter, Hair	38	119-8983	1	Decal
16	3256-23	2	Washer-Flat	39	3256-24	4	Washer-Flat
17	110-6783-05	1	Arm-Actuator, LH	40	323-6	4	Screw-HH
18	110-6782-05	1	Arm-Actuator, RH	41	121-0731	1	Handle-Control, RH
19	115-5023	2	Tab-Stop	41:1	121-0726	1	Grip
20	110-6873	2	Eccentric	42	121-0730	1	Handle-Control, LH
21	110-6874	2	Screw-Eccentric	42:1	121-0726	1	Grip
22	110-6875	2	Bolt-Shoulder				



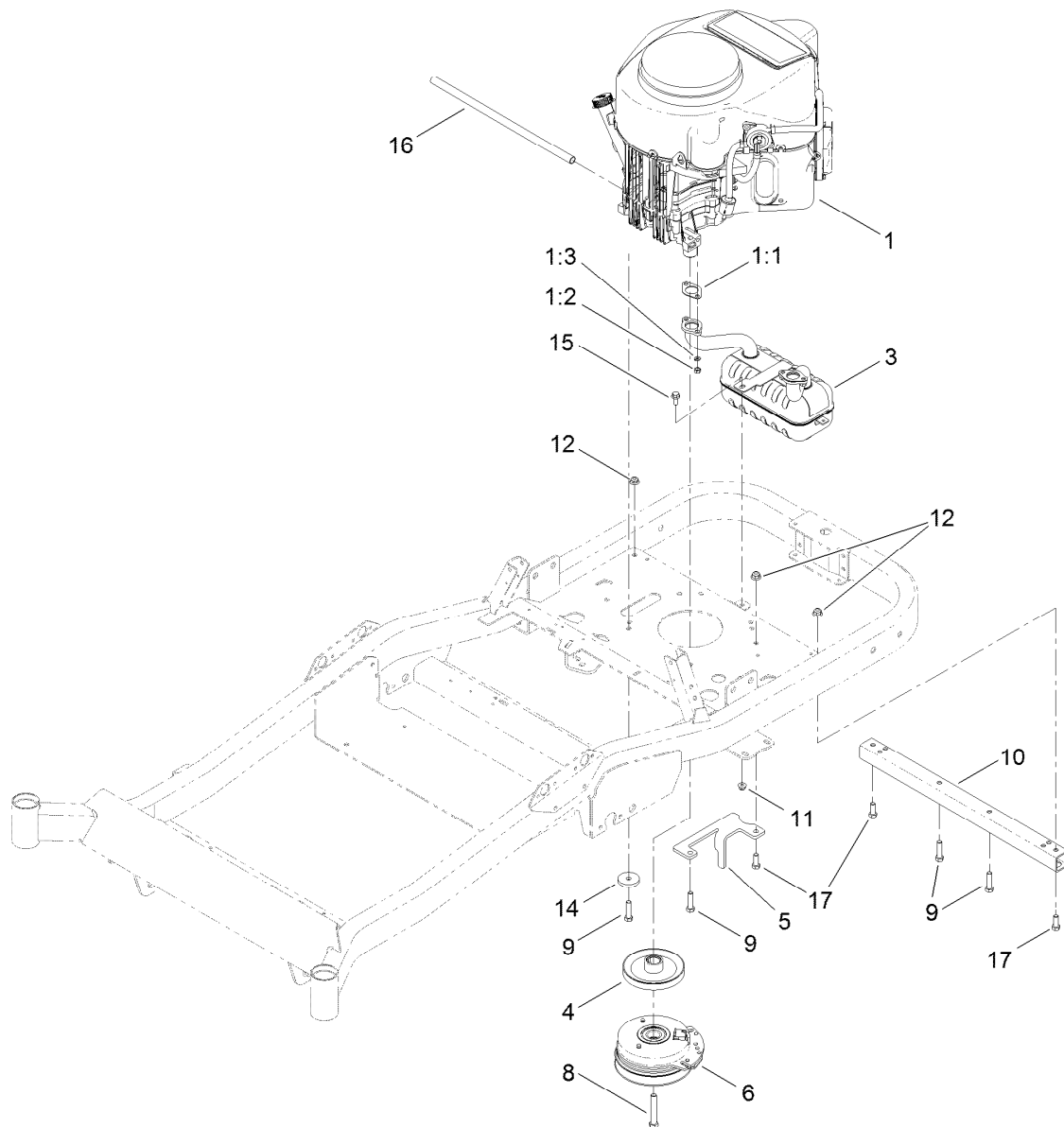
Seat Assembly

Ref.	Part Number	Qty.	Description
1	117-5320-03	1	Pan-Seat
2	115-5053	1	18 Inch Seat ASM
2:5	119-3307	1	Armrest Kit
3	701178	3	Cap-Protector
4	3234-47	3	Screw-HHF
5	92-7054	3	Spring-Compression
6	104-8300	3	Nut-Flange, NI
7	115-4966	1	Rod-Stop
8	3290-250	2	Pin-Hair
9	115-9630	1	Decal-Maintenance
10	115-9623	1	Latch-Seat
11	115-9624	1	Spring-Compression
12	323-4	1	Screw-HH
13	117-5307	1	Washer-Seat



Brake Link Assembly

<i>Ref.</i>	<i>Part Number</i>	<i>Qty.</i>	<i>Description</i>	<i>Ref.</i>	<i>Part Number</i>	<i>Qty.</i>	<i>Description</i>
1	119-3460	1	Handle-Brake	11	1-806003	8	Pin-Cotter, Hair
2	63-2650	1	Screw-Shoulder	12	3256-23	4	Washer-Flat
3	115-5071-03	1	Brake-Bellcrank	13	1-603807	2	Spring-Return, Neutral
4	115-5074	1	Link-Brake	14	3272-11	2	Pin-Cotter
5	117-7322	1	Rod-Brake, LH	15	3256-27	2	Washer-Flat
6	117-7323	1	Rod-Brake, RH	16	40-1940	2	Washer
7	115-9681	2	Fitting-Rod	17	32144-70	4	Screw-HWHTF
8	1-633268	1	Grip-Lever	18	3234-47	2	Screw-HHF
9	104-8300	5	Nut-Flange, NI	19	106-9758	2	Screw-CARR
10	256-292	2	Bushing-Flange, NI				



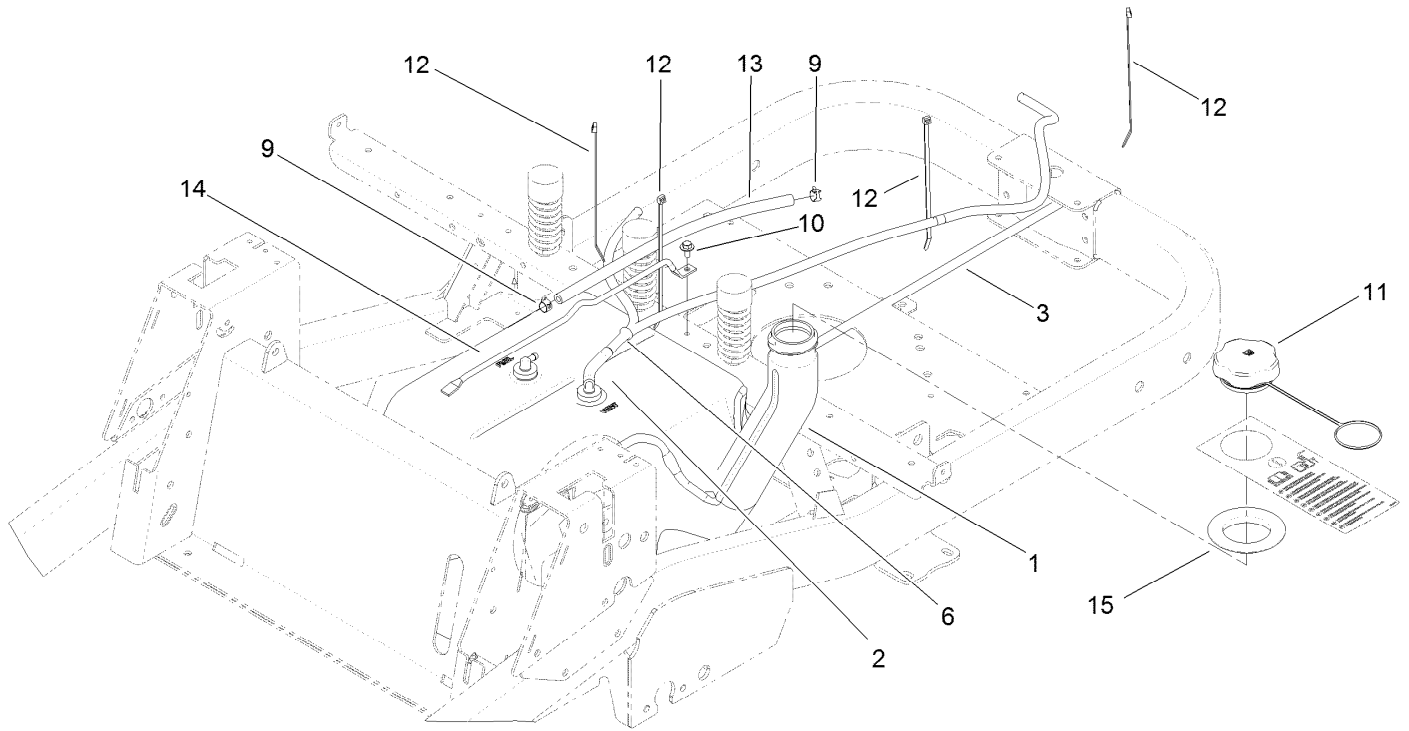
Engine, Muffler and Clutch Assembly

Ref.	Part Number	Qty.	Description
1		1	Engine-Kawasaki, Fr651V-S10-R●■
1:1	1-653313	2	Gasket-Exhaust
1:2	114-3549	4	Nut
1:3	114-3550	4	Washer-Lock, Spring
3	117-7465	1	Muffler-Kawasaki Twin
4	125-5576	1	Pulley-Engine
5	117-7344-03	1	Bracket-Stop, PTO
6	117-1252	1	Clutch-PTO

Ref.	Part Number	Qty.	Description
8	3212-11	1	Screw-HH
9	323-50	4	Bolt-HH
10	117-7335-03	1	Tube-Stiffener
11	104-8300	1	Nut-Flange, NI
12	104-8301	3	Nut-Flange, NI
14	110-9981	1	Washer-Plain
15	3234-47	1	Screw-HHF
16	106-7022	1	Tube-Drain, Oil
17	323-6	3	Screw-HH

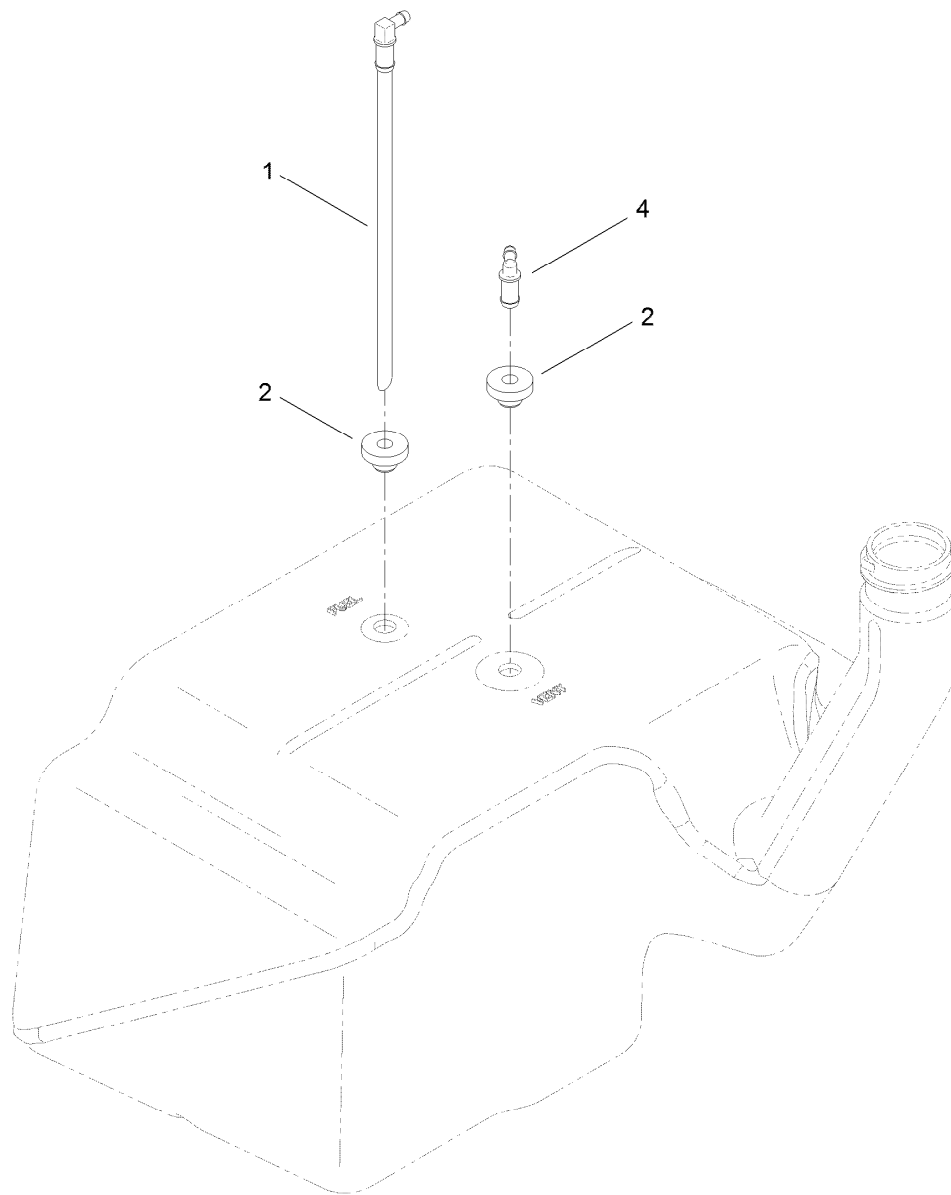
● Not serviced separately

■ Obtain parts from www.kawpowerpc.com



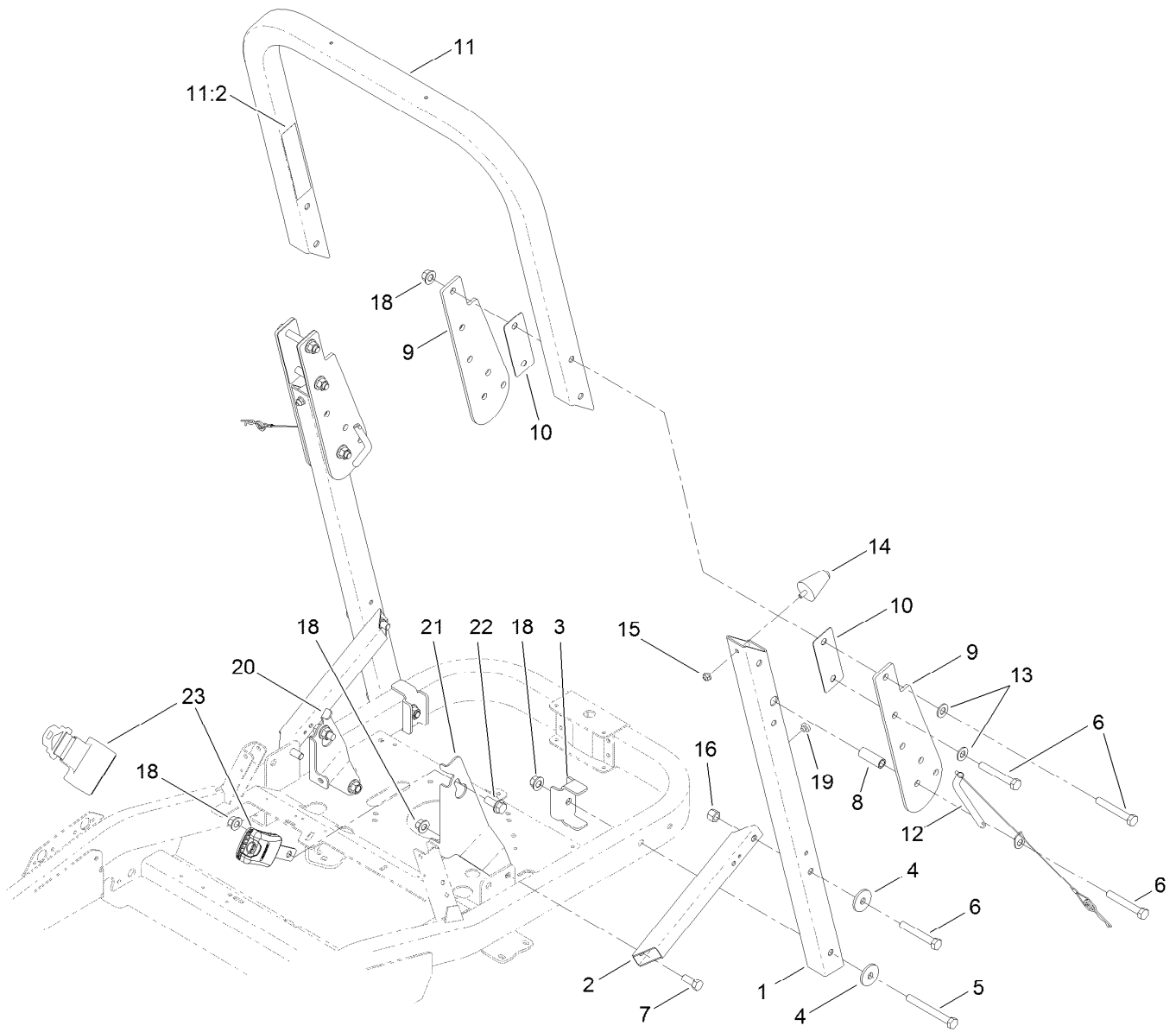
Fuel Delivery Assembly

<i>Ref.</i>	<i>Part Number</i>	<i>Qty.</i>	<i>Description</i>
1	117-7352	1	Multi Layer Fuel Tank ASM
2	114-3765	1	Hose-Fuel
3	51-3212	1	Hose-Fuel
6	121-0743	1	Adapter-Orifice
9	2412-98	2	Clamp-Hose
10	46-8560	1	Screw-HHFTF
11	125-1847	1	Cap-Fuel
12	614249	2	Tie-Cable
13	107-0589	1	Hose-Fuel
14	115-2620	1	Rod-Tank, Gas
15	117-1298	1	Seal-Tank



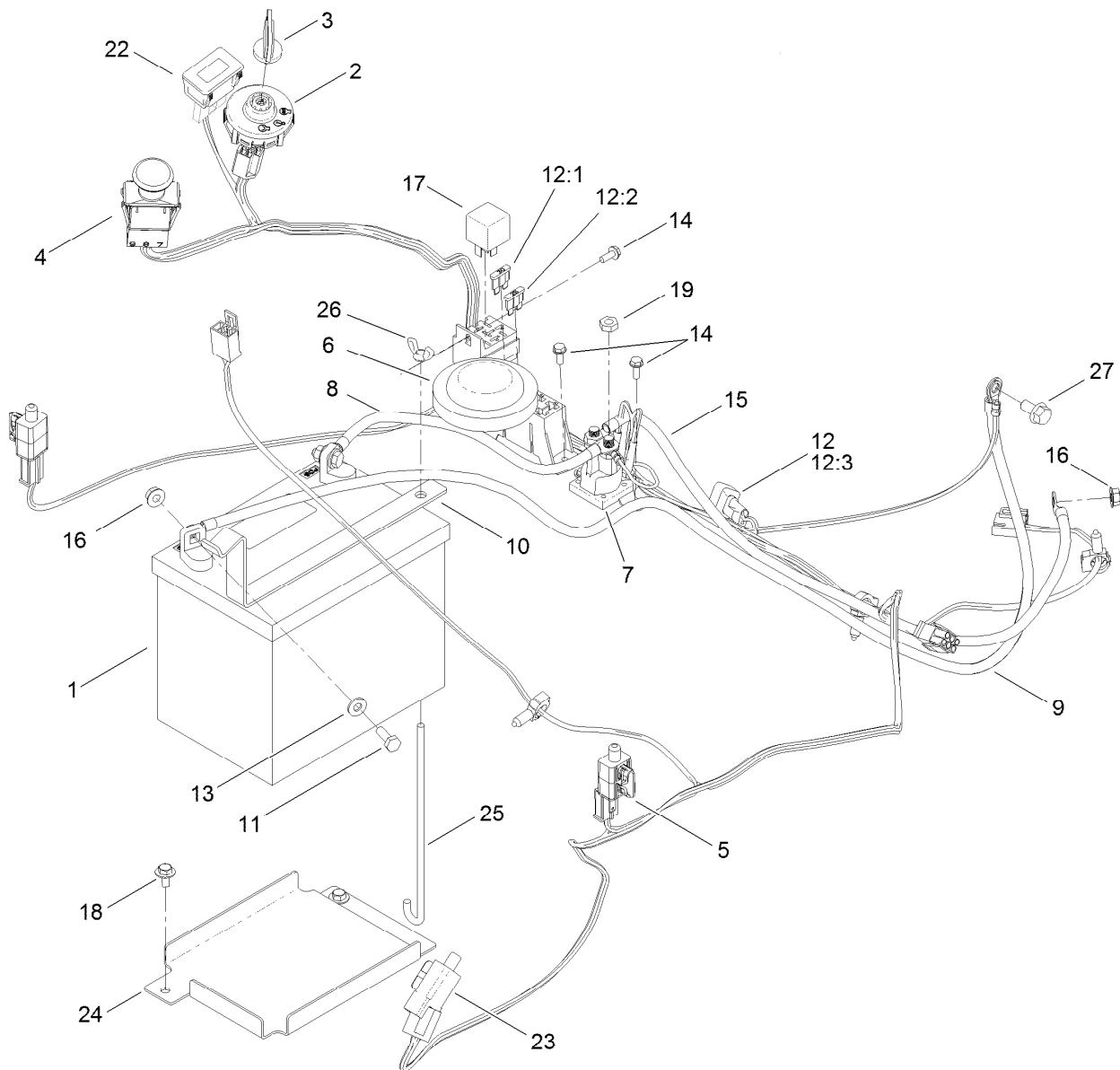
Multi Layer Fuel Tank Assembly No. 117-7352

<i>Ref.</i>	<i>Part Number</i>	<i>Qty.</i>	<i>Description</i>
1	121-0793	1	Connector-Elbow, 90 DEG
2	46-6560	2	Bushing
4	117-7400	1	Fitting-Plastic



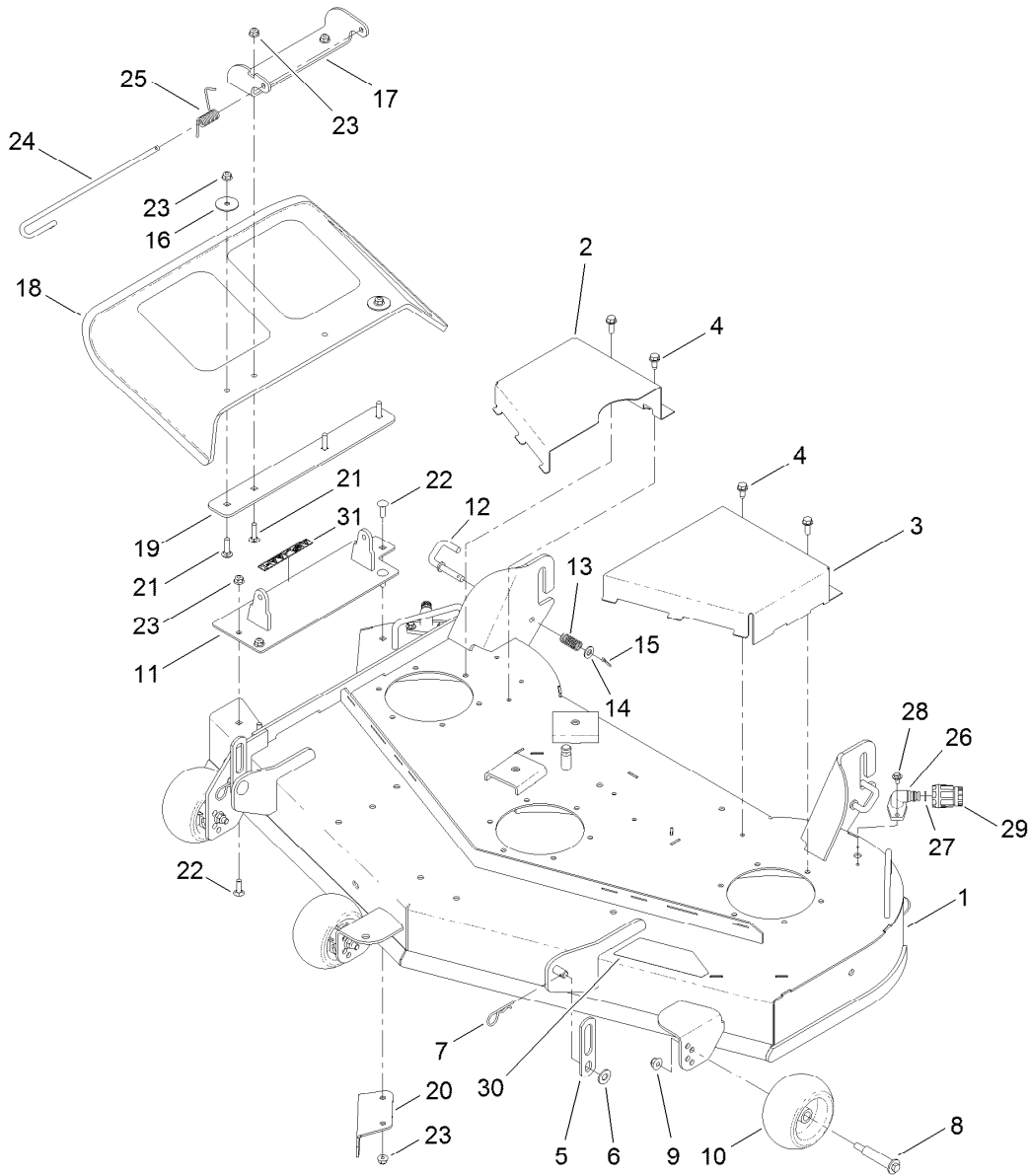
Roll-Over Protection System Assembly

<i>Ref.</i>	<i>Part Number</i>	<i>Qty.</i>	<i>Description</i>	<i>Ref.</i>	<i>Part Number</i>	<i>Qty.</i>	<i>Description</i>
1	121-2986-03	2	Tube-ROPS, Lower	12	119-8970	2	Pin-ROPS
2	115-4962-03	2	Tube-Support, ROPS	13	3256-26	4	Washer-Flat
3	115-4963-03	2	Bracket-Reinforcing	14	114-1925	2	Bumper-Rubber
4	84-1560	4	Washer-Thrust	15	104-8300	2	Nut-Flange, NI
5	325-18	2	Screw-HH	16	119-8969	2	Nut-Hex
6	325-14	8	Screw-HH	18	99-5107	10	Nut-Lock
7	325-5	2	Screw-HH	19	1-513658	2	Bumper
8	109-6653	2	Spacer	20	115-5038-03	1	Bracket-Seat Belt
9	119-8911-03	4	Bracket-Pivot, ROPS	21	115-5060-03	1	Bracket-Seat Belt
10	119-8926-03	4	Spacer-ROPS	22	3234-38	2	Screw-HHF
11	119-8991	1	Upper ROPS ASM	23	109-9805	1	Seat Belt Kit
11:2	107-3069	1	Decal-Warning, Folding ROPS				



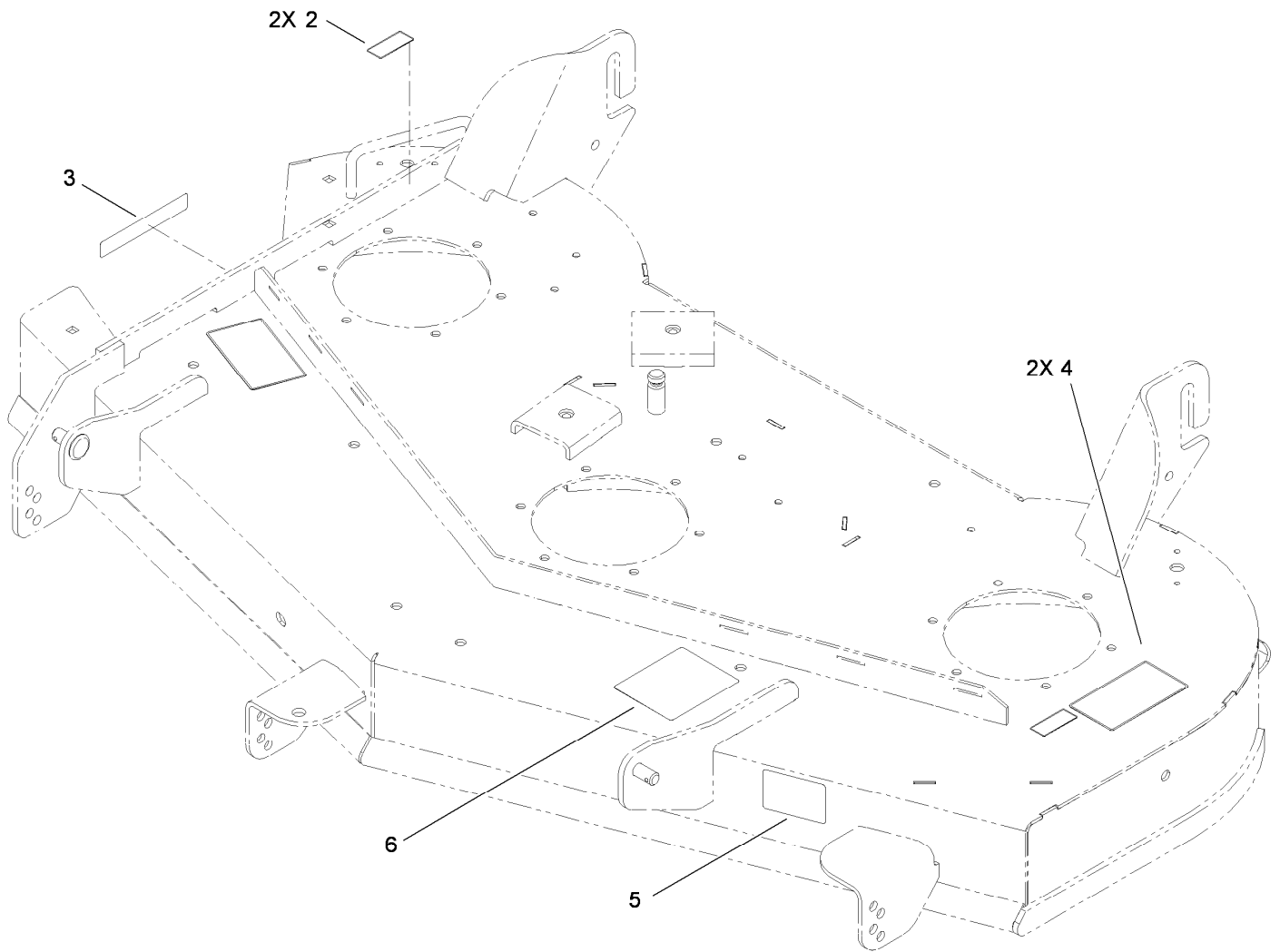
Electrical Assembly

<i>Ref.</i>	<i>Part Number</i>	<i>Qty.</i>	<i>Description</i>	<i>Ref.</i>	<i>Part Number</i>	<i>Qty.</i>	<i>Description</i>
1	105-1692	1	Battery	12:3	100-4918	1	Diode-Over Molded
2	117-2221	1	Switch-Ignition	13	3256-22	2	Washer-Flat
3	63-8360	1	Key-Ignition (W/Shield)	14	32144-1	5	Screw-Taptite
4	103-5221	1	Switch-PTO	15	92-6989	1	Wire-21 Inch
5	110-6765	2	Switch-Single Pole No	16	32128-33	3	Nut-HF
6	100-3524	1	Switch-Seat	17	98-7249	1	Relay
7	117-1197	1	Solenoid	18	46-8560	2	Screw-HHFTF
8	117-5342	1	Cable-Battery, Positive	19	3220-2	2	Nut-Jam
9	117-7240	1	Cable-Battery, Negative	22	120-2244	1	Hourmeter
10	117-7313-01	1	Strap-Battery	23	99-7408	1	Switch-Reverse
11	321-4	2	Screw-HH	24	117-1283-03	1	Tray-Battery
12	121-3015	1	Harness-Wire	25	1-633651	1	Bolt-Holddown
12:1	109103	1	Fuse-Blade, 30 Amp	26	1-543792	1	Wingnut
12:2	109102	1	Fuse-Blade, 25 Amp	27	33104-016	1	Screw-HHF



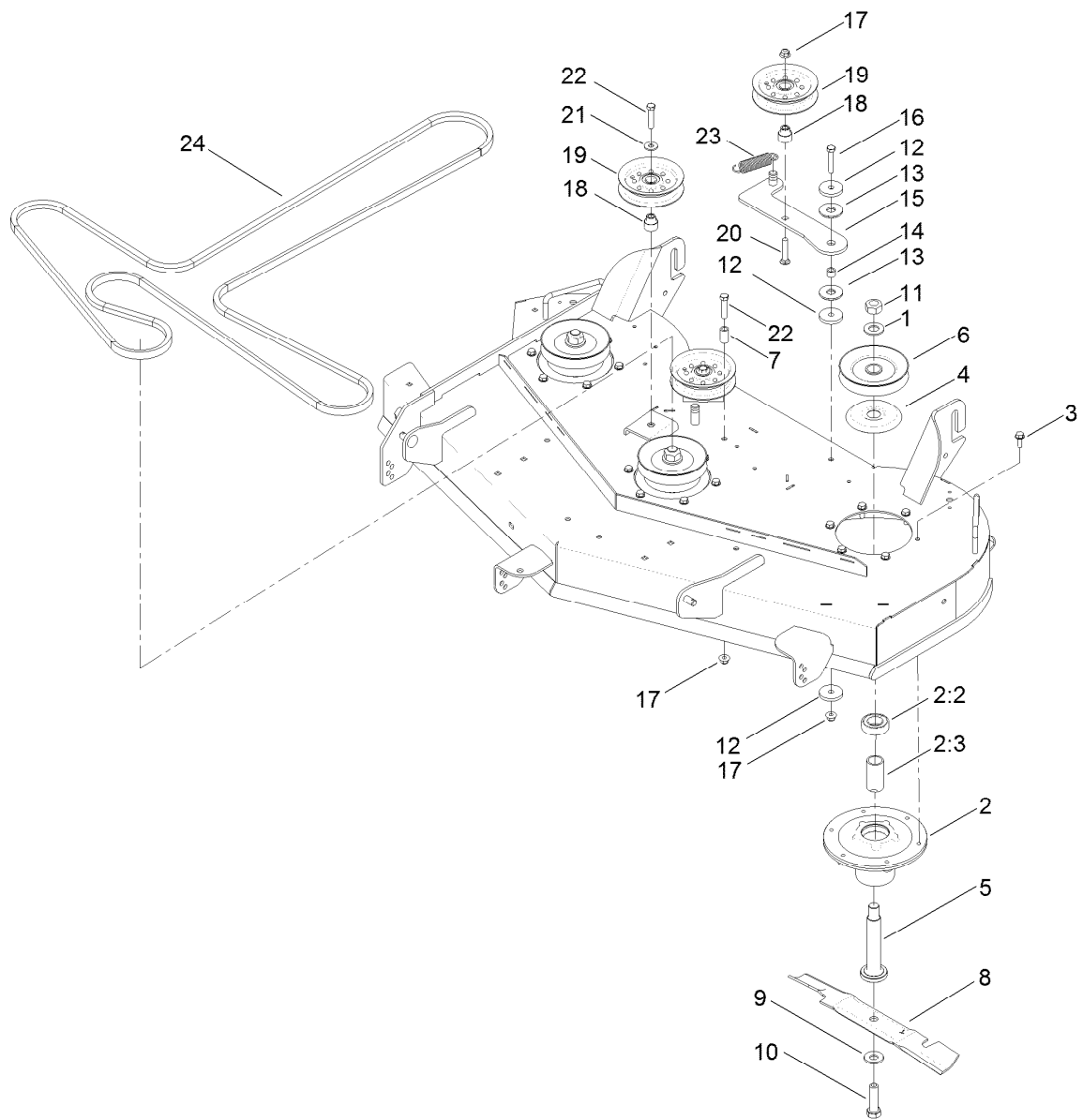
48 Inch Deck Assembly

Ref.	Part Number	Qty.	Description	Ref.	Part Number	Qty.	Description
1	119-3383	1	48 Inch Deck And Decal ASM	16	3256-68	2	Washer-Flat
2	117-7396-03	1	Cover-Belt, RH	17	114-1648-03	1	Bracket-Deflector, Upper
3	117-7397-03	1	Cover-Belt, LH	18	117-1270	1	Deflector-Molded
4	32144-70	2	Screw-HWHTF	19	115-5048-03	1	Plate-Deflector
5	115-2622	2	Link-Lift	20	117-7418-03	1	Baffle-Cutoff
6	3256-26	2	Washer-Flat	21	3230-3	4	Screw-CARR
7	1-806005	2	Pin-Hair	22	3230-22	4	Screw-CARR
8	112-3977	3	Bolt-Shoulder	23	104-8300	8	Nut-Flange, NI
9	104-8301	3	Nut-Flange, NI	24	109-8854	1	Pin-Chute
10	1-603299	3	Roller-Scalp, Anti	25	121-2983	1	Spring-Torsion
11	117-7367-03	1	Plate	26	95-2747	2	Fitting-Washout
12	115-2470	2	Pin-Latch	27	46-6290	2	O-Ring, Seal
13	101853	2	Spring-Compression	28	46-8560	4	Screw-HHFTF
14	3256-24	2	Washer-Flat	29	95-3270	1	Connector-Hose
15	3272-10	2	Pin-Cotter	30	119-3382	1	Decal-Deck
				31	93-7009	1	Decal-Danger, Deflector



48 Inch Deck Decal Assembly No. 119-3383

<i>Ref.</i>	<i>Part Number</i>	<i>Qty.</i>	<i>Description</i>
2	114-1606	2	Decal-Danger
3	93-7009	1	Decal-Danger, Deflector
4	110-6691	2	Decal-Danger
5	112-9840	1	Decal-Scalp, Anti
6	117-1194	1	Decal-Routing, Belt



48 Inch Deck, Belt and Mulch Blade Assembly

<i>Ref.</i>	<i>Part Number</i>	<i>Qty.</i>	<i>Description</i>	<i>Ref.</i>	<i>Part Number</i>	<i>Qty.</i>	<i>Description</i>
1	7-4150	3	Washer	12	110-9981	3	Washer-Plain
2	120-5477	3	Spindle ASM	13	114-0463	2	Washer-Friction, Composite
2:2	116-0720	2	Bearing-Ball	14	1-413088	1	Bushing-Lever, Lift
2:3	115-2641	1	Spacer-Bearing	15	115-5054	1	Arm-Idler
3	32144-41	18	Screw-Taptite	16	323-10	1	Screw-HH
4	117-7210	3	Shield-Bearing	17	104-8301	3	Nut-Flange, NI
5	115-2642	3	Shaft-Spindle	18	115-2577	3	Bushing-Idler
6	117-7326	3	Pulley	19	116-3626	3	Pulley-Idler
7	1-603401	1	Spacer-Fender	20	3231-6	1	Screw-CARR
8	117-7277-03	3	Blade-Hi Flo, 16.50In	21	80-6990	2	Washer-Hardened
9	125-1736	3	Washer-Belleville	22	323-9	3	Screw-HH
10	51-4060	3	Screw-Blade	23	108-4056	1	Spring-Extension
11	3219-7	3	Nut-Hex	24	117-7325	1	V-Belt

Attachments and Accessories

For 74841 TITAN ZX4820 Zero-Turn-Radius Riding Mower

Product Name	Model/Part
Step Kit.....	117-5316
Light Kit.....	117-5317
Transport Seat Hold Down Kit.....	117-7251
48in Recycler Kit.....	119-3320
48in Striping Kit.....	119-3380
Leaf Bagging Enhancement Kit	119-3381
48in Bagger Finishing Kit (Used with 79328 Bagger)	121-5662
Hitch Kit	79014
Cargo Carrier.....	79032
Front Weight Kit.....	79033
Bagger Kit.....	79328
E-Z Vac Twin Bagger	79330
48in Blower and Drive Kit.....	79340
10 cu. ft. Poly Dump Cart.....	79991

Notes:



Count on it.