



Count on it.

Parts Catalog

GrandStand® Mower

With 60in TURBO FORCE® Cutting Unit

Model No. 74553—Serial No. 313001001 and Up



Ordering Replacement Parts

To order replacement parts, please supply the part number, the quantity, and the description of each part desired.

Understanding Reference Numbers

Each identified part in an illustration has a reference number. The reference number for a part also appears in the parts list, along with other information about the part.

This catalog uses two special reference number formats, one to indicate parts in a service assembly and another to indicate the quantity of a given part in an illustration.

Service Assembly Reference Numbers

Parts in service assemblies have reference numbers in the form a:b. The a represents the reference number of the entire service assembly and the b represents a sequential number unique to each part within the service assembly.

For example, a wheel assembly might be identified by reference number 6, the tire by 6:1, the valve by 6:2, and the wheel by 6:3. When you order the assembly identified by reference number 6, you receive all parts identified by reference numbers 6:1, 6:2, and 6:3. However, you may also order any part individually. Reference numbers of this type appear in illustration and in parts lists.

Reference Numbers Indicating Quantity

In an illustration, if a reference number indicates more than one part, the reference number has the form nX y. The n represents the quantity of the part, the X is the multiplication symbol, and the y represents the reference number.

For example, in an illustration, the reference number 2X 37 means that two of the parts identified by reference number 37 are indicated.

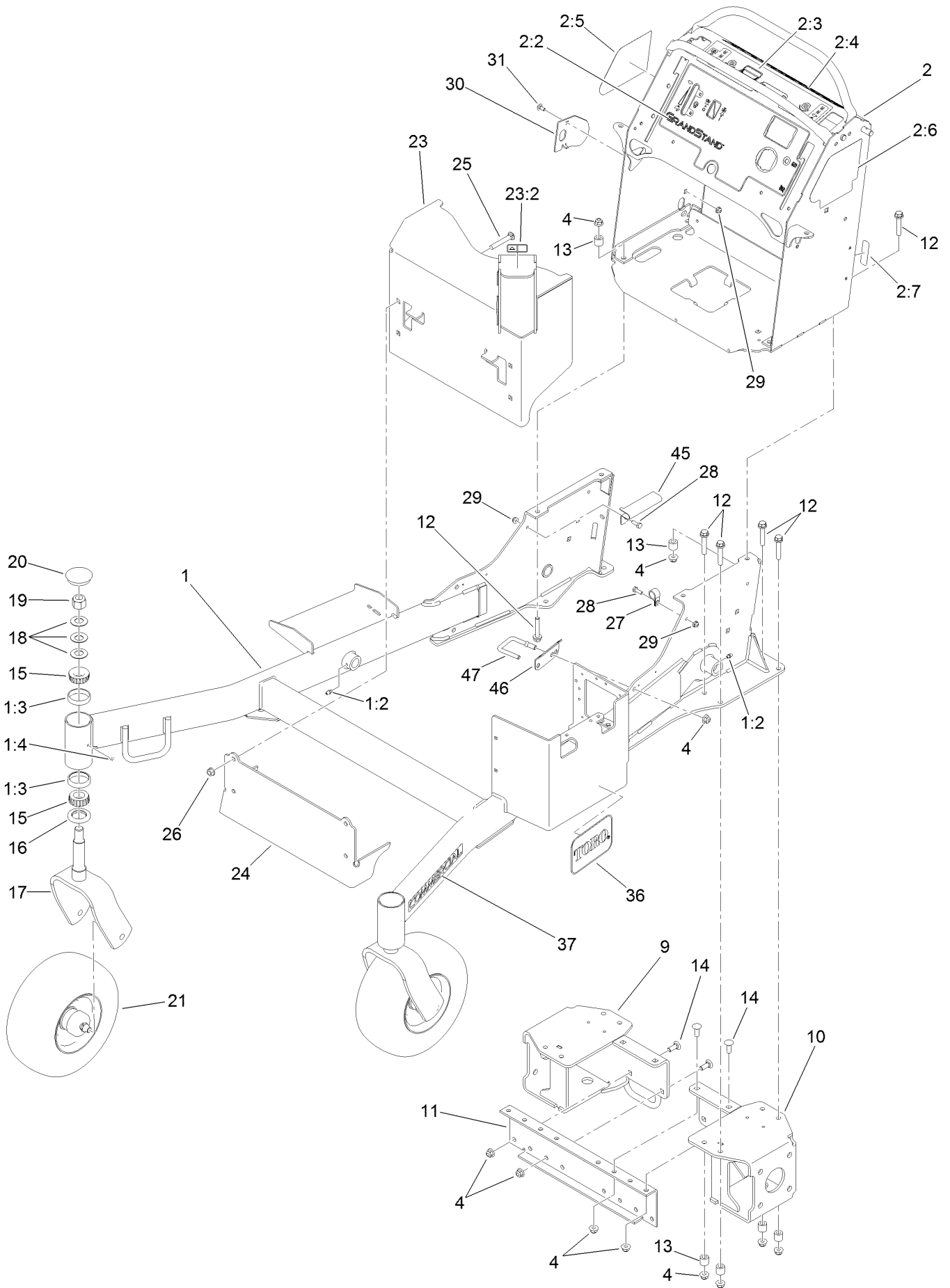
List of Abbreviations

AR: as required	HLH: hex lag head	PTO: power-take-off
ASM: assembly	HOC: height-of-cut	RH: right hand
BBC: blade brake control	HSBH: hex socket button head	ROPS: roll-over protection system
BHTF: button head thread forming	HSFH: hex socket flat head	RRB: rear roller brush
CARR: carriage	HSH: hex socket head	SFH: slotted fillister head
CCW: counter clockwise	HWH: hex washer head	SHH: slotted hex head
CW: clockwise	HWHTF: hex washer head thread forming	SHWH: slotted hex washer head
DEG: degrees	HYD: hydraulic	SPH: slotted pan head
DPA: Dual Point Adjustment	LH: left hand	SQH: square head
ECM: electronic control module	LP: Liquefied Petroleum Gas	SRH: slotted round head
EXT: external	LPG: Liquefied Petroleum Gas	STD: standard
FH: flat head	NI: nylon insert	TAP: self tapping
GA: gauge	NPTF: national pipe thread fine	TTH: torx truss head
HD: heavy-duty	PFH: phillips flat head	
HF: hex flange	PPH: phillips pan head	
HH: hex head	PPHTF: phillips pan head thread forming	
HHF: hex head flange	PRH: phillips round head	
HHFTF: hex head flange thread forming	PTH: phillips truss head	
HJ: hex jam		

Contents

Frame Assembly	4
Wheel and Bearing Assembly No. 112-3810	6
Parking Brake Assembly	8
Decklift Assembly	10
Cushion and Platform Assembly	12
Cushion Assembly No. 119-8742	14
Platform Assembly No. 117-9640	16
Ground Drive Assembly	18
Hydraulic Motor Assembly No. 114-0549	20
Pump Idler Assembly	22
Hydraulic System Assembly	24
Hydraulic Pump Assembly No. 125-4672	26
Control Assembly	28
Engine Assembly	30
Fuel Tank Assembly	32
Vent Hose Assembly	34
Electrical Assembly	36
Deck Assembly	38
Deck Decal Assembly No. 120-6414	40
Right Hand Idler Assembly No. 121-5970	42
Left Hand Idler Assembly No. 121-5965	44
Spindle Assembly No. 119-8560	46
Deflector Assembly No. 120-2451	48
Attachments and Accessories	50

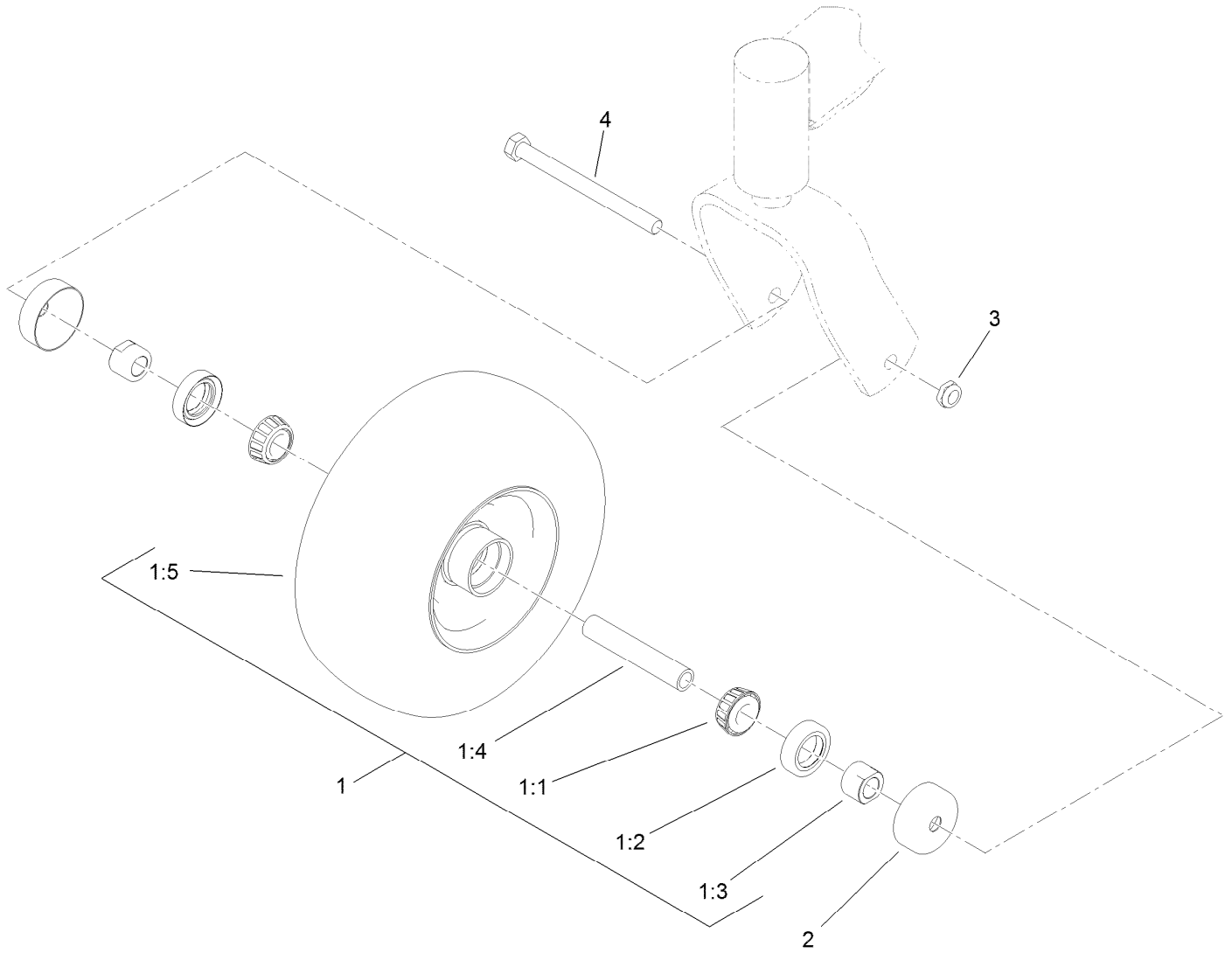
Frame Assembly



Frame Assembly (continued)

<i>Ref.</i>	<i>Part Number</i>	<i>Qty.</i>	<i>Description</i>	<i>Ref.</i>	<i>Part Number</i>	<i>Qty.</i>	<i>Description</i>
1	121-5995	1	Front Frame ASM	18	1-633508	6	Washer-Bellville
1:2	302-5	4	Fitting-Grease	19	3296-51	2	Nut-Lock, NI
1:3	1-543508	4	Cup-Bearing	20	103-4882	2	Cap-Grease
1:4	1-811010	2	Plug	21	112-3810	2	Wheel/Tire And Bearing ASM
2	120-6460	1	Control Tower ASM	23	116-6373	1	Muffler Guard ASM
2:2	120-6464	1	Decal-Panel, Control	23:2	106-5517	1	Decal-Warning, Hot Surface
2:3	119-8727	1	Decal-Opc	24	116-3113-01	1	Panel-Guard
2:4	117-3626	1	Decal-Warning	25	3231-31	4	Screw-CARR
2:5	117-0456	1	Decal-HOC	26	32128-21	4	Nut-HF
2:6	121-5972	1	Decal-Service/Spark Arrest	27	2412-87	1	Clamp-Cable
2:7	116-3267	1	Decal-Fuse	28	321-4	2	Screw-HH
4	104-8301	22	Nut-Flange, NI	29	104-7201	3	Nut-HF
9	119-7222-01	1	Mount-Motor, RH	30	119-7312	1	Plate-Striker
10	119-7220-01	1	Mount-Motor, LH	31	3229-11	1	Screw-CARR
11	119-7224-01	1	Mount-Motor, Center	36	68-3640	1	Decal
12	108-3742	12	Screw-HHF	37	117-3591	2	Decal-Commercial
13	121-1760	12	Spacer	45	116-5067	1	Bracket-Hose, Fuel (Double)
14	3231-22	8	Screw-CARR	46	121-6003	2	Guard-Hose
15	1-543509	4	Bearing-Roller, Tapered	47	121-6004	2	Guide-Hose
16	1-543511	2	Seal-Grease				
17	103-8618-01	2	Fork-Caster				

Wheel and Bearing Assembly No. 112-3810



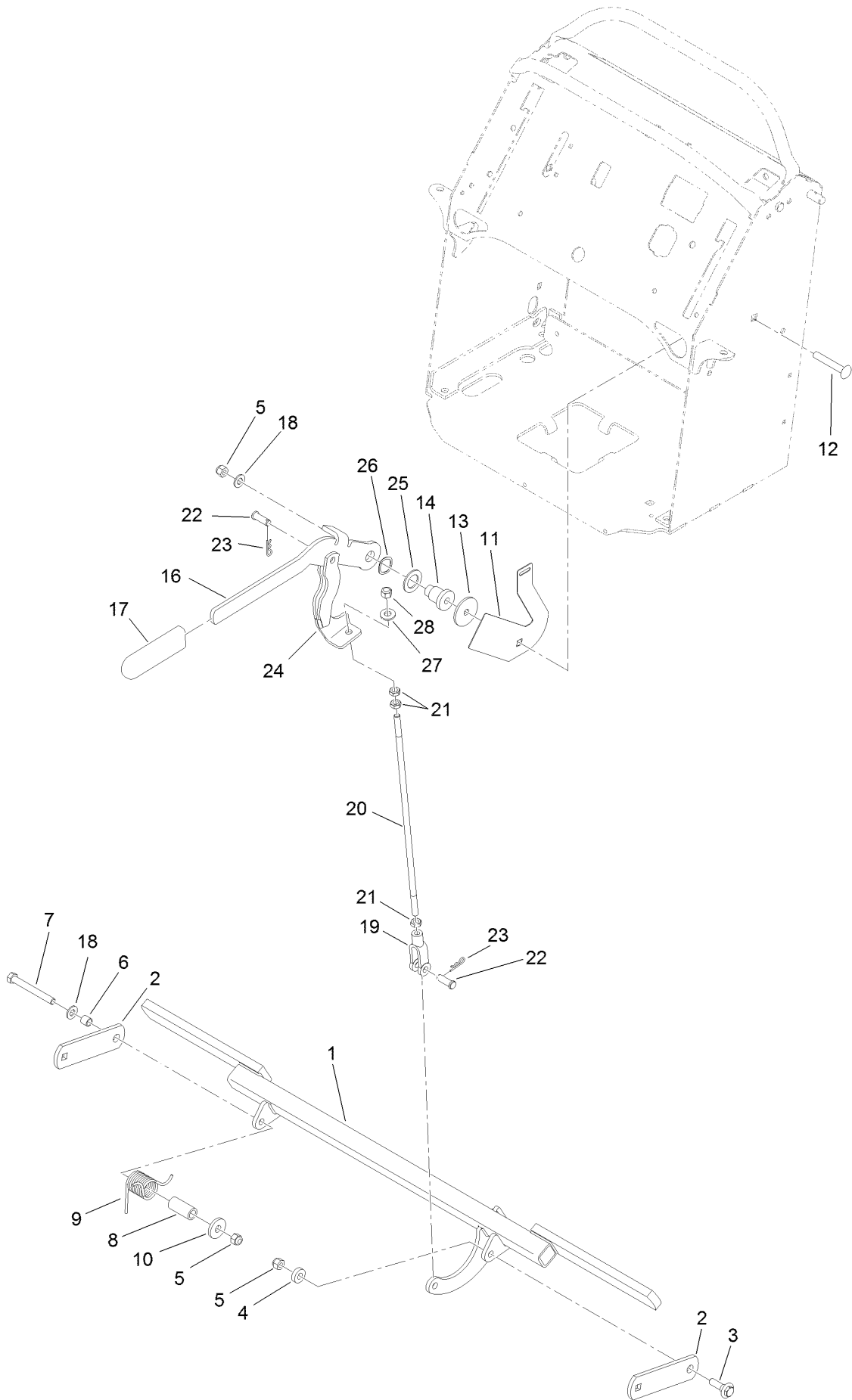
Wheel and Bearing Assembly No. 112-3810 (continued)

<i>Ref.</i>	<i>Part Number</i>	<i>Qty.</i>	<i>Description</i>	<i>Ref.</i>	<i>Part Number</i>	<i>Qty.</i>	<i>Description</i>
1		1	Wheel And Bearing ASM ●	1:5	110-9965	1	Wheel And Tire ASM
1:1	1-633585	2	Bearing-Cone, Taper	2	103-2768	2	Guard-Seal
1:2	103-0063	2	Seal-Caster	3	3296-45	1	Nut-Lock, NI
1:3	103-3051	2	Spacer-Nut ■	4	325-20	1	Screw-HH
1:4	103-3157	1	Axle-Caster				

● Not serviced separately

■ Use Pro-Lock, Nut Type (P/N 1-840022, .5ml tube) on spacer nut

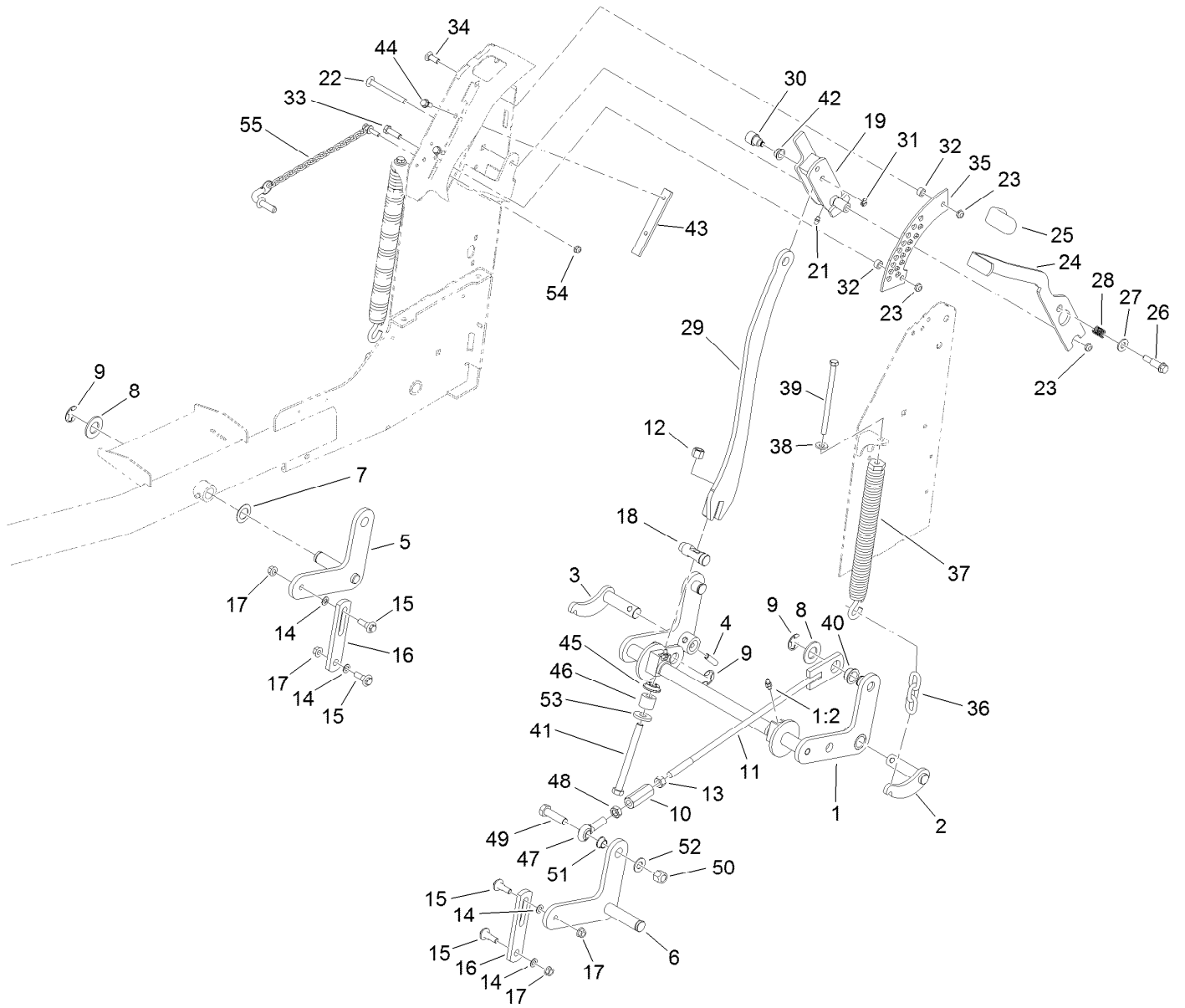
Parking Brake Assembly



Parking Brake Assembly (continued)

<i>Ref.</i>	<i>Part Number</i>	<i>Qty.</i>	<i>Description</i>	<i>Ref.</i>	<i>Part Number</i>	<i>Qty.</i>	<i>Description</i>
1	119-8730-03	1	Bar-Brake	16	117-5759-03	1	Lever-Brake
2	114-5186-01	2	Support-Brake	17	1-633268	1	Grip-Lever
3	614672	1	Bolt-Shoulder	18	3256-24	2	Washer-Flat
4	5-0652	1	Spacer	19	1-633131	1	Yoke-Linkage, Brake
5	104-8301	3	Nut-Flange, NI	20	119-7244	1	Rod-Brake
6	117-9684	1	Spacer	21	3220-3	3	Nut-HJ
7	323-20	1	Screw-HH	22	283-2	2	Pin-Clevis
8	117-9683	1	Spacer	23	3290-307	2	Pin-Hair
9	117-9682	1	Spring-Torsion	24	119-8780-03	1	Arm-Brake
10	1-373034	1	Washer	25	1-303007	1	Washer
11	117-0452-03	1	Plate-Switch, Brake	26	106-5335	1	Washer-Wave
12	3231-44	1	Screw-CARR	27	98-5975	1	Washer-Belleville
13	63-7400	1	Washer-Rebound	28	3296-6	1	Nut-Lock
14	106-3214	1	Mount-Pulley				

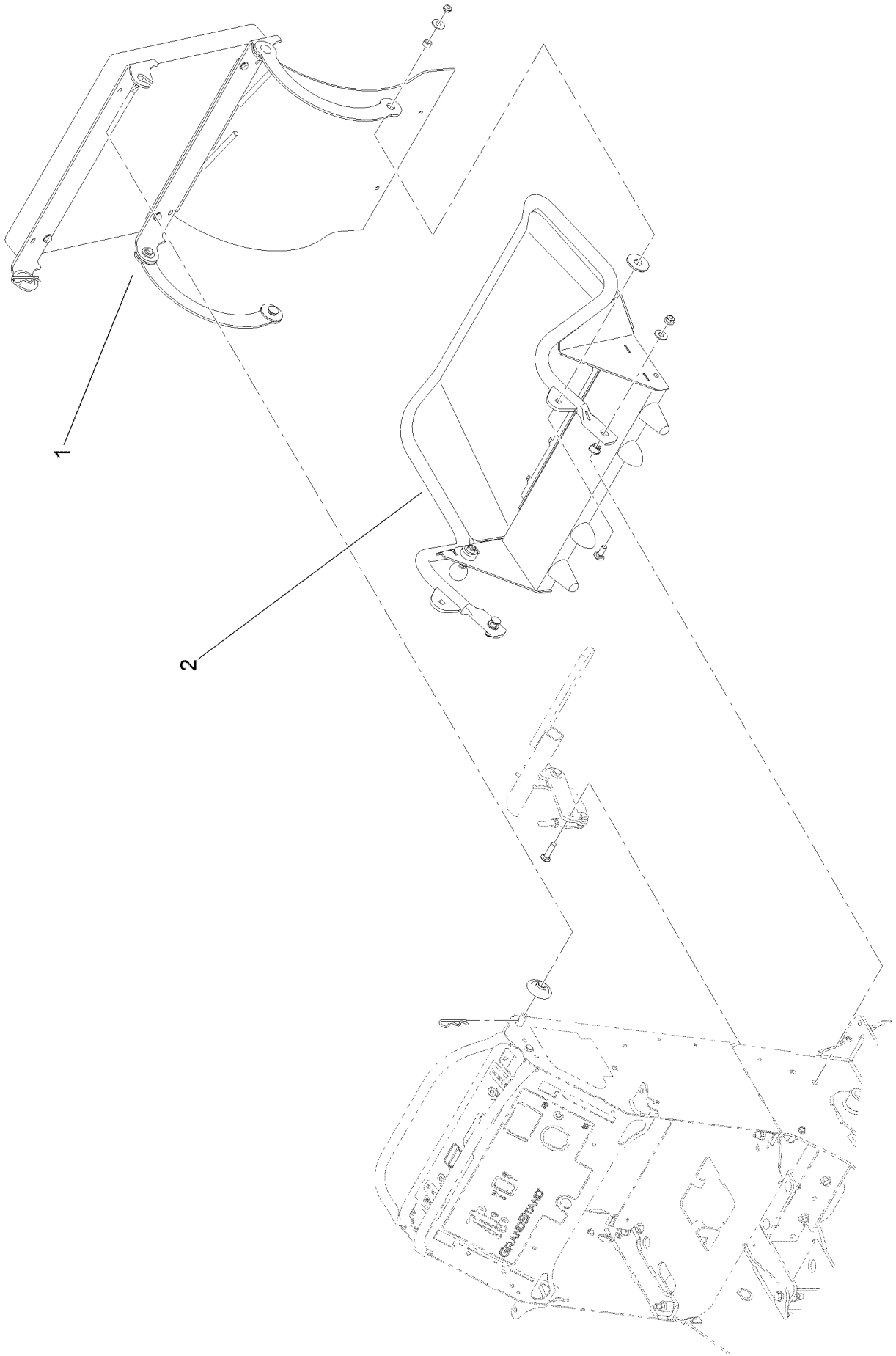
Decklift Assembly



Decklift Assembly (continued)

<i>Ref.</i>	<i>Part Number</i>	<i>Qty.</i>	<i>Description</i>	<i>Ref.</i>	<i>Part Number</i>	<i>Qty.</i>	<i>Description</i>
1	116-3103	1	Rear Crossshaft ASM	29	116-2939	1	Bar-Lift
1:2	302-11	2	Fitting-Lube, 45 DEG	30	116-3048	1	Hub-Pivot
2	116-3104-01	1	Shaft-Pivot, LH	31	32151-47	1	Ring-Retaining
3	116-3105-01	1	Shaft-Pivot, RH	32	111044	2	Spacer
4	116-3107	2	Pin-Spiral	33	323-7	1	Screw-HH
5	121-5999-01	1	RH Lift Arm ASM	34	3231-22	1	Screw-CARR
6	121-5998-01	1	LH Lift Arm ASM	35	114-5307	1	Bracket-HOC
7	110-6767	2	Washer-Thrust	36	103-9859	2	Chain-Decklift
8	3256-29	4	Washer-Flat	37	116-0886	2	Extension Spring ASM
9	32151-103	5	Ring-Retaining, EXT	38	98-5975	2	Washer-Belleville
10	119-7250	2	Link-Lift	39	323-58	2	Bolt-TAP, HH
11	119-7306	2	Lift Rod ASM	40	116-2909	2	Bearing-Flange
12	3296-23	1	Nut-Lock, NI	41	325-22	1	Screw-HH
13	3217-9	2	Nut-HH	42	116-3047	1	Bearing-Flange
14	40-1940	4	Washer	43	116-3124	1	Skid-Handle, Lift
15	109-9840	4	Screw-Shoulder, HHF	44	32144-70	2	Screw-HWHTF
16	117-0519	2	Link-Lift	45	116-3625	1	Seat-Spring
17	32128-21	4	Nut-HF	46	116-3241	1	Spring-Urethane
18	114-5274	1	Pin-HOC	47	117-5291	2	Balljoint-Spherical
19	114-3512	1	HOC Handle ASM	48	117-5293	2	Nut-Jam
21	302-5	1	Fitting-Grease	49	327-22	2	Screw-HH
22	3231-24	1	Screw-CARR	50	3296-53	2	Nut-Lock, NI
23	3296-59	3	Nut-Lock, NI	51	80-1290	2	Bushing
24	114-1878-03	1	Lever-HOC	52	3256-27	2	Washer-Flat
25	1-633268	1	Grip-Lever	53	92-2651	1	Washer
26	66-0561	1	Screw-Shoulder	54	104-7201	1	Nut-HF
27	3256-26	1	Washer-Flat	55	114-0409	1	HOC Pin ASM
28	65-9940	1	Spring				

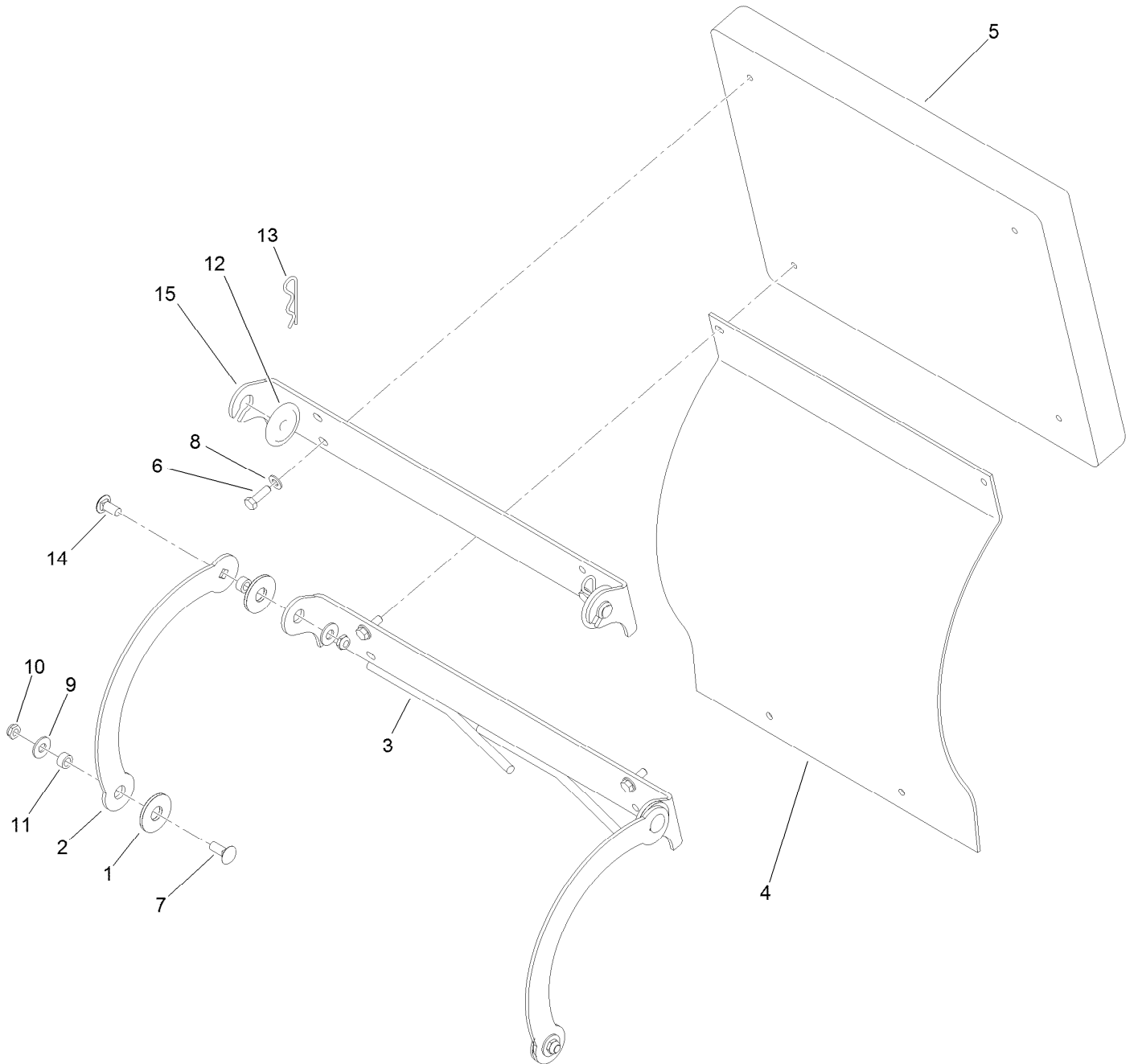
Cushion and Platform Assembly



Cushion and Platform Assembly (continued)

<i>Ref.</i>	<i>Part Number</i>	<i>Qty.</i>	<i>Description</i>
1	119-8742	1	Cushion ASM
2	117-9640	1	Platform ASM

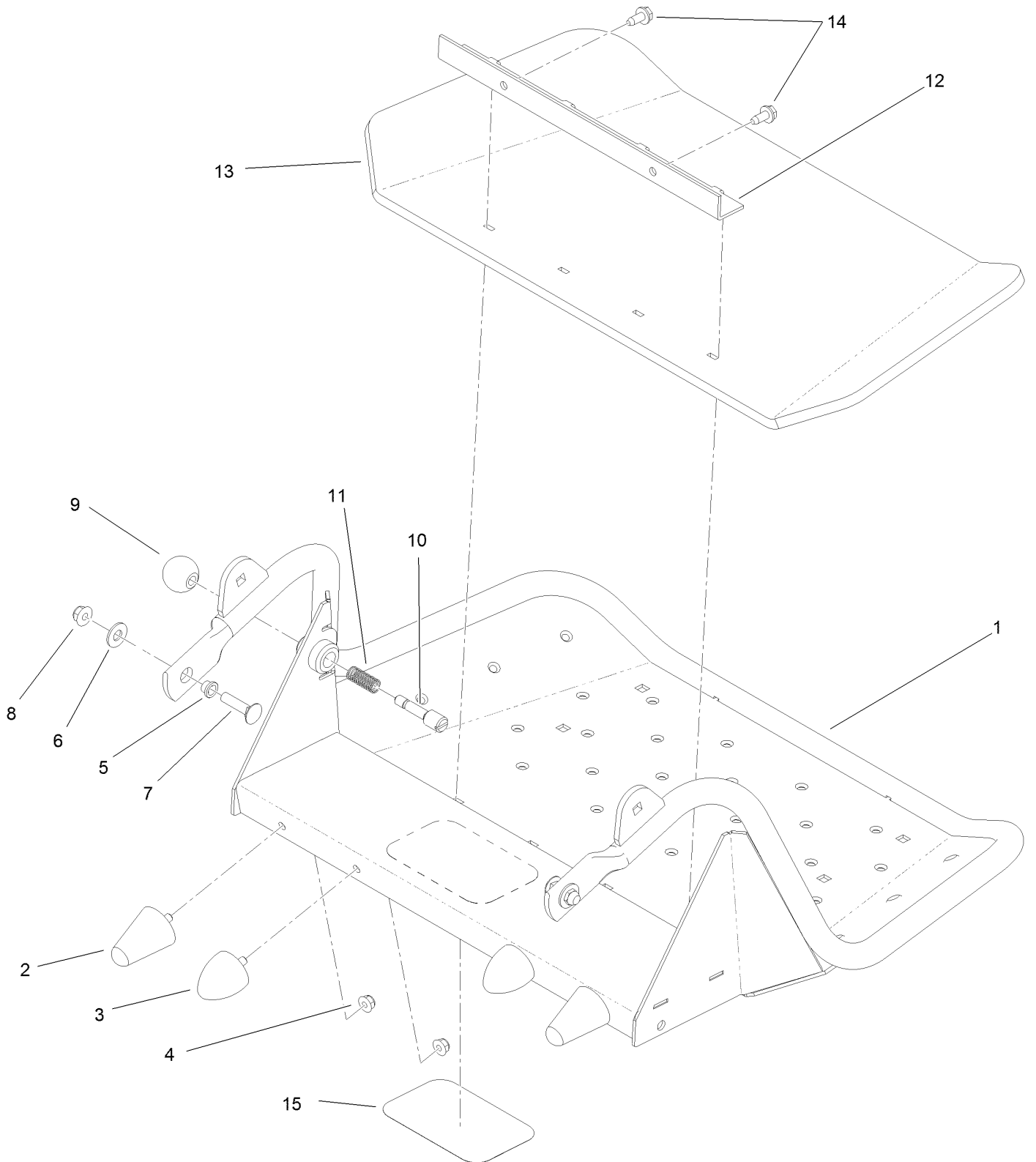
Cushion Assembly No. 119-8742



Cushion Assembly No. 119-8742 (continued)

<i>Ref.</i>	<i>Part Number</i>	<i>Qty.</i>	<i>Description</i>	<i>Ref.</i>	<i>Part Number</i>	<i>Qty.</i>	<i>Description</i>
1	114-0463	4	Washer-Friction, Composite	9	3256-4	4	Washer-Flat
2	114-1915-01	2	Link-Pad	10	3296-59	4	Nut-Lock, NI
3	119-7369-03	1	Hinge-Lower	11	111044	4	Spacer
4	114-1919	1	Shield-Rear	12	116-2886	2	Slide-Bushing
5	117-9739	1	Pad-Cushion	13	3290-355	2	Pin-Hair
6	121-7999	4	Screw-HH	14	3231-27	2	Screw-CARR
7	3231-2	2	Bolt-CARR	15	116-2757-03	1	Hinge-Pad
8	3256-23	4	Washer-Flat				

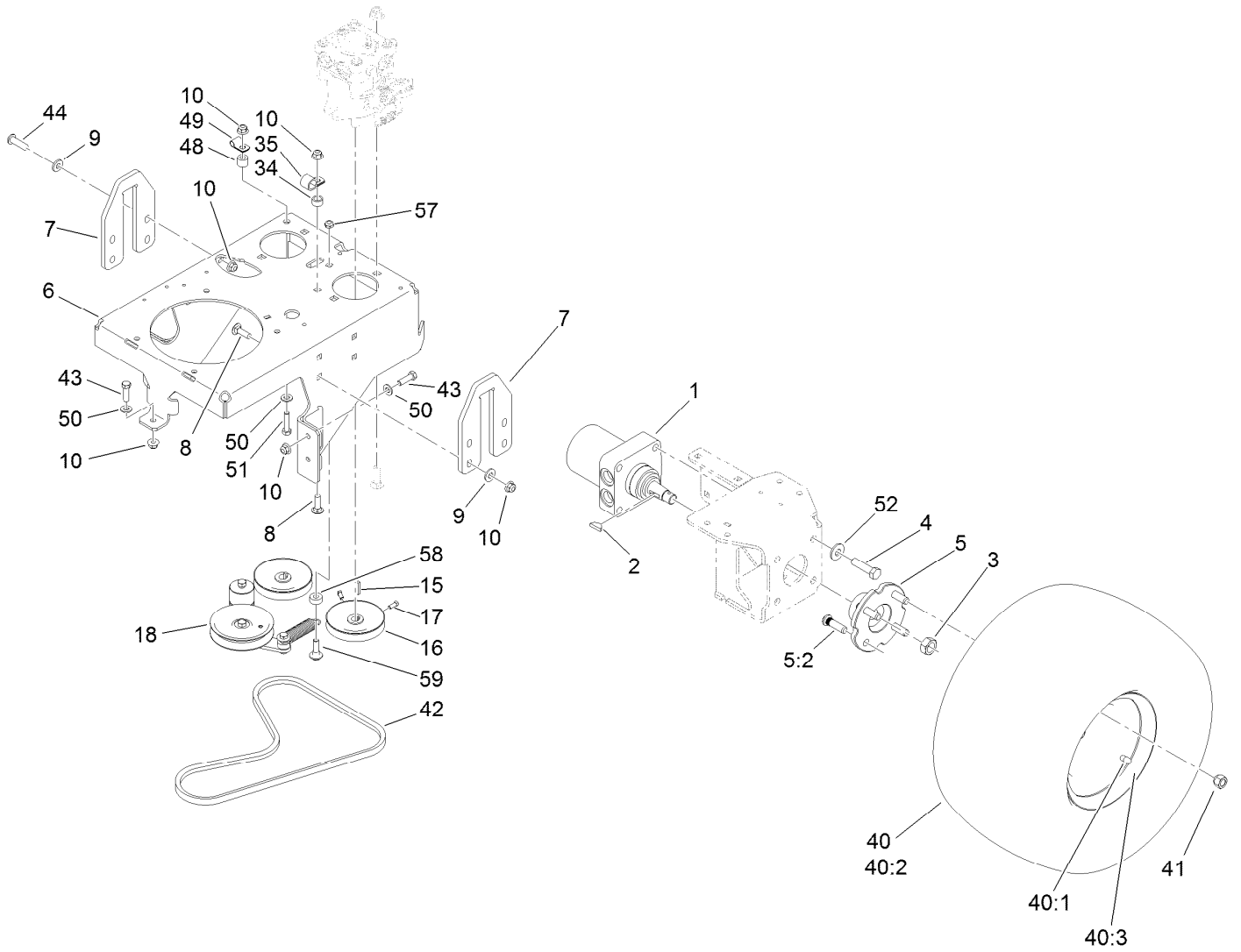
Platform Assembly No. 117-9640



Platform Assembly No. 117-9640 (continued)

<i>Ref.</i>	<i>Part Number</i>	<i>Qty.</i>	<i>Description</i>	<i>Ref.</i>	<i>Part Number</i>	<i>Qty.</i>	<i>Description</i>
1	117-9641-01	1	Platform	9	1-603175	1	Knob-Ball
2	114-1925	2	Bumper-Rubber	10	119-8650	1	Pin-Latch
3	114-1926	2	Bumper-Rubber	11	114-5348	1	Spring
4	104-8300	4	Nut-Flange, NI	12	114-1920-03	1	Clamp-Shield
5	109-8788	2	Bushing-Flanged	13	114-5349	1	Mat-Foot
6	3256-4	2	Washer-Flat	14	32144-70	2	Screw-HWHTF
7	3231-4	2	Screw-CARR	15	68-3640	1	Decal
8	104-8301	2	Nut-Flange, NI				

Ground Drive Assembly

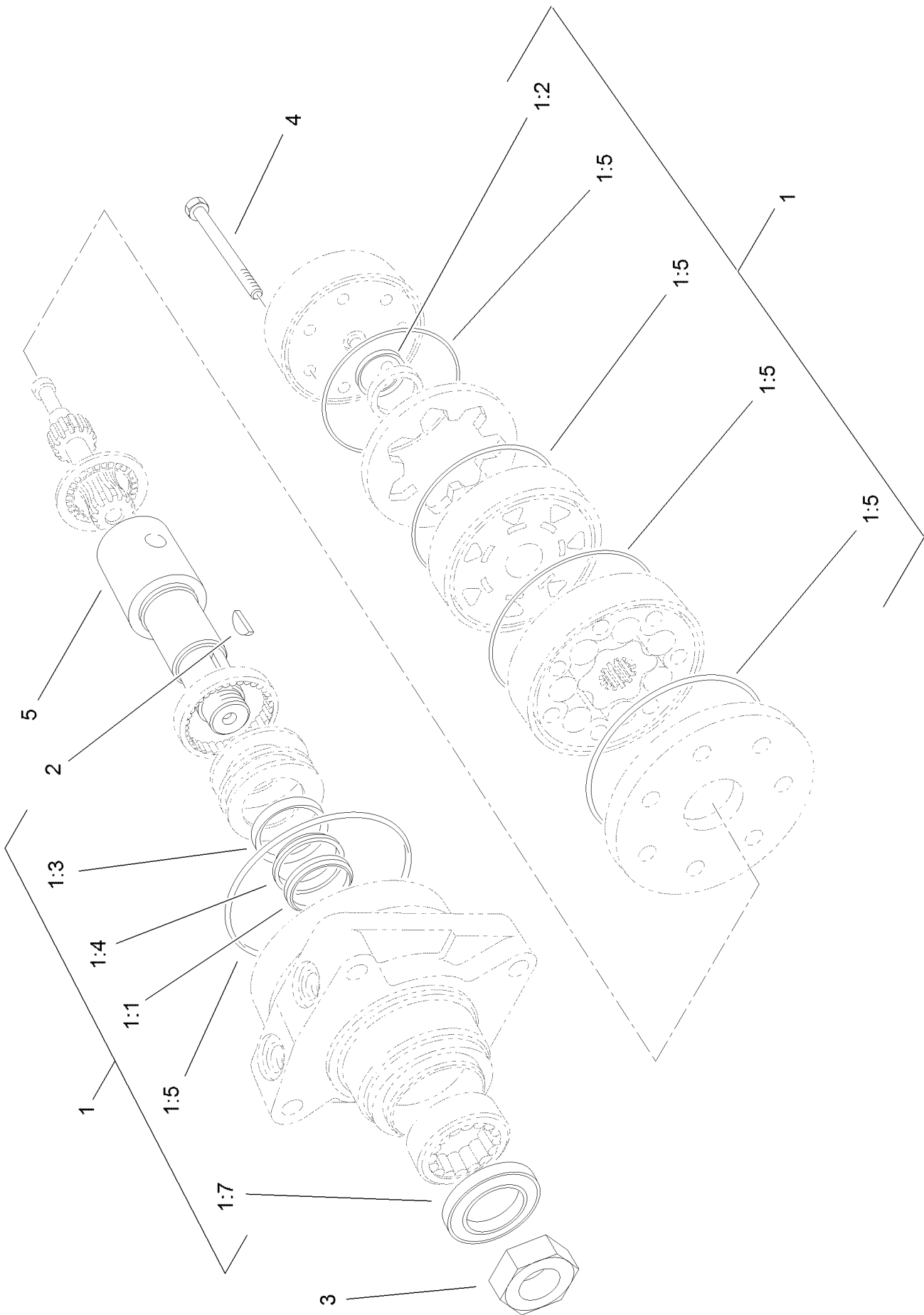


Ground Drive Assembly (continued)

<i>Ref.</i>	<i>Part Number</i>	<i>Qty.</i>	<i>Description</i>	<i>Ref.</i>	<i>Part Number</i>	<i>Qty.</i>	<i>Description</i>
1	114-0549	2	HYD Motor ASM	40	120-6465	2	Wheel/Tire ASM
2	3257-8	2	Key-Woodruff	40:1	116-4605	1	Rim-8 Inch
3	85-7310	2	Nut-Motor, Wheel	40:2	120-6466	1	Tire
4	325-8	8	Screw-HH	40:3	232-27	1	Stem-Valve
5	105-0800	2	Wheel Hub ASM	41	242-50	8	Nut-Lug
5:2	10-6830	4	Stud-Type, Drive	42	114567	1	Belt-V, Lower PTO
6	120-6456-01	1	Base-Engine	43	3234-42	5	Screw-HHF
7	119-8662	2	Plate-Lift	44	3274-63	1	Screw-HSBH
8	3231-25	8	Bolt-CARR	48	121-1760	1	Spacer
9	98-5975	8	Washer-Belleville	49	116-3362	1	Clip-Tube
10	104-8301	15	Nut-Flange, NI	50	3256-24	1	Washer-Flat
15	1-807272	2	Key	51	323-8	1	Screw-HH
16	105-5648	2	Pulley-Pump	52	1-513435	8	Washer-Spring
17	3241-5	4	Screw-Set	57	3296-59	1	Nut-Lock, NI
18		1	Pump Idler ASM ●	58	104-8426	1	Spacer
34	1-653069	1	Spacer-Wheel	59	614672	1	Bolt-Shoulder
35	1-633396	1	Clip-Loom				

● Not serviced separately

Hydraulic Motor Assembly No. 114-0549

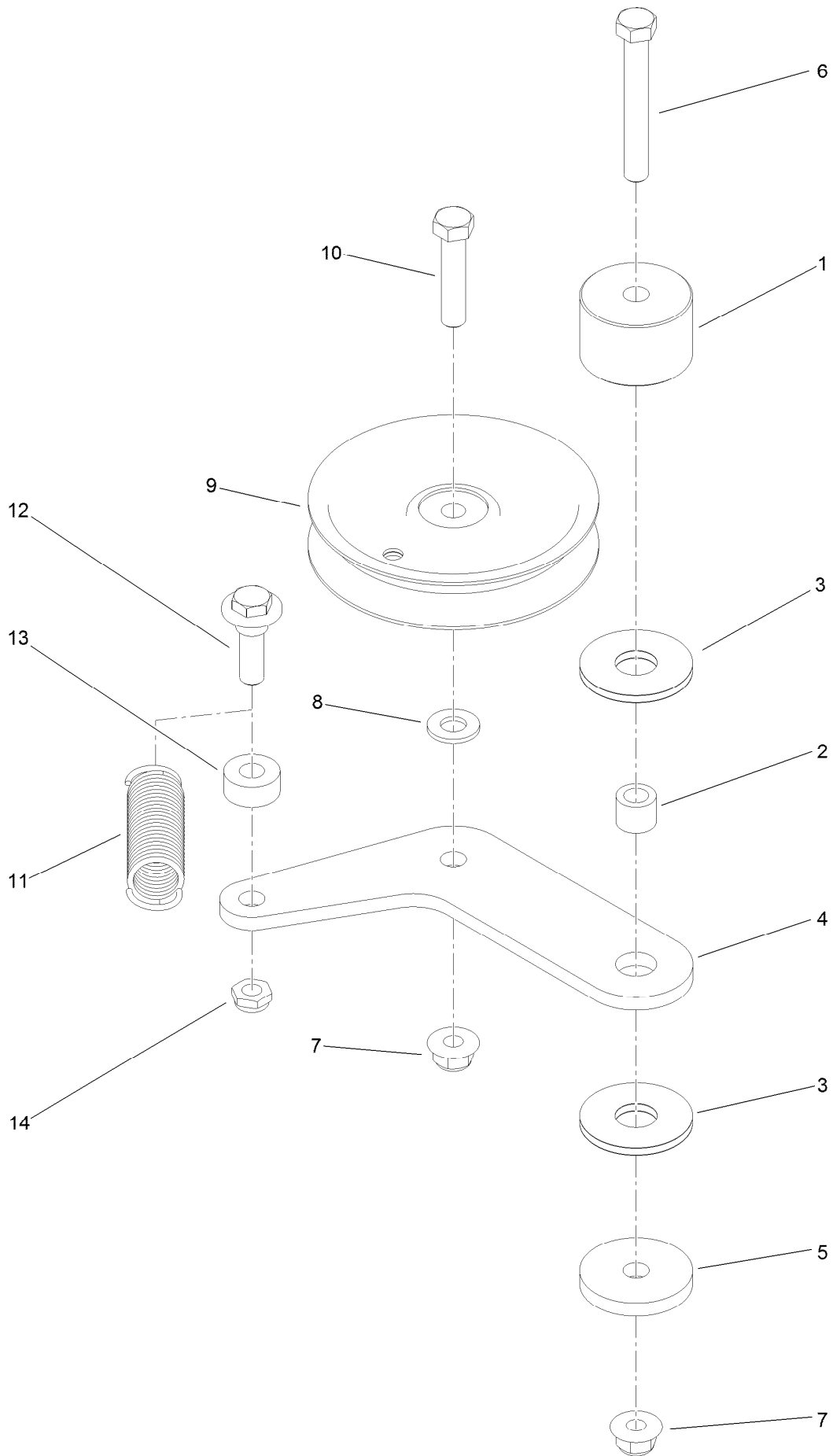


Hydraulic Motor Assembly No. 114-0549 (continued)

<i>Ref.</i>	<i>Part Number</i>	<i>Qty.</i>	<i>Description</i>	<i>Ref.</i>	<i>Part Number</i>	<i>Qty.</i>	<i>Description</i>
1	1-000119	1	Seal Kit	1:7		1	Seal-Dirt And Water ●
1:1		1	Ring-Back Up ●	2	3257-8	1	Key-Woodruff
1:2		1	Seal-Commutator ●	3	85-7310	1	Nut-Motor, Wheel
1:3		1	Seal-Shaft (Viton) ●	4	106-5549	6	Bolt-Special
1:4		1	Washer-Back Up, Steel ●	5	106-8764	1	Shaft-Coupling
1:5		5	Ring-Seal (Viton) ●				

● Not serviced separately

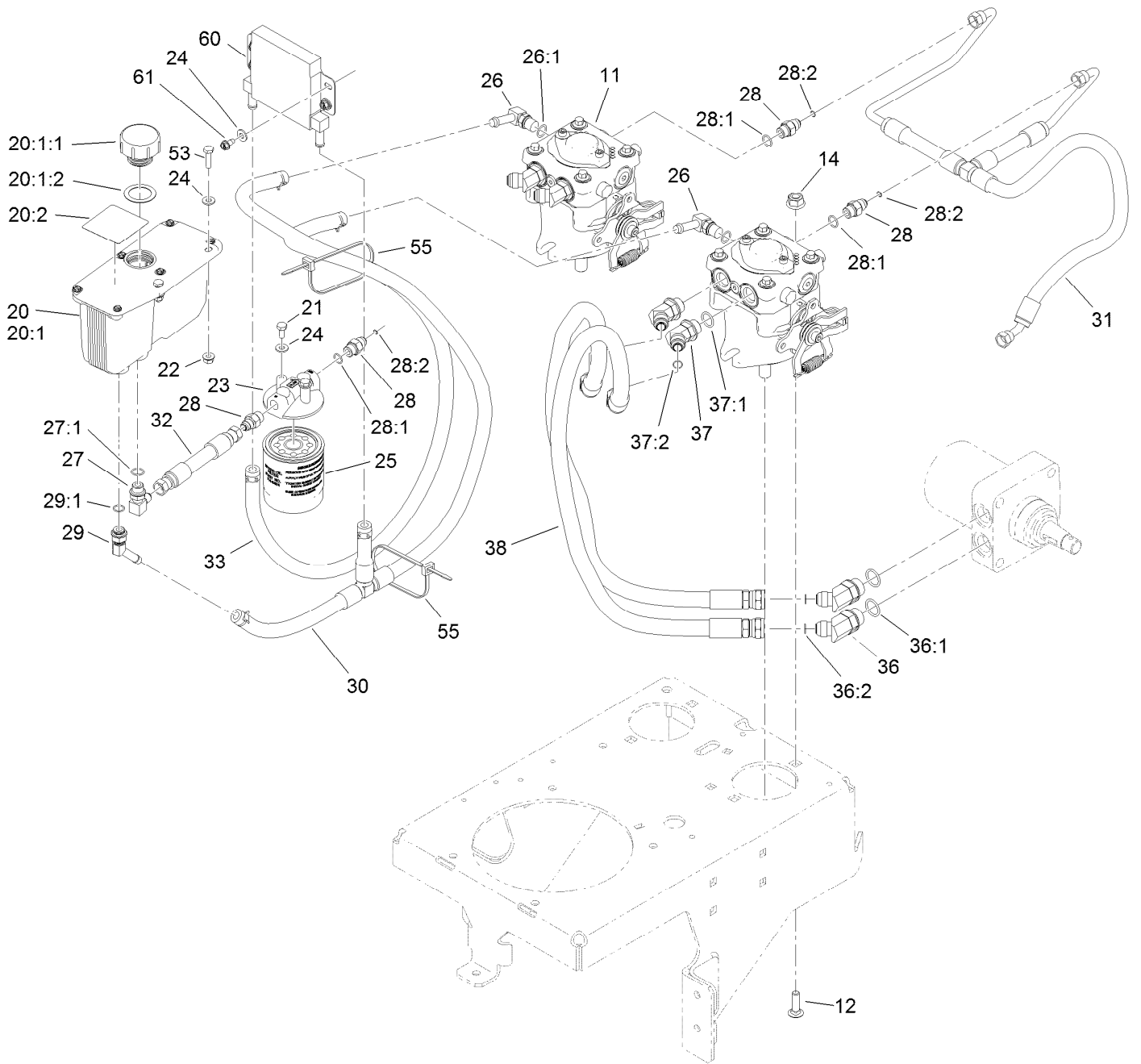
Pump Idler Assembly



Pump Idler Assembly (continued)

<i>Ref.</i>	<i>Part Number</i>	<i>Qty.</i>	<i>Description</i>	<i>Ref.</i>	<i>Part Number</i>	<i>Qty.</i>	<i>Description</i>
1	116-7599	1	Hub, Idler	8	3256-24	1	Washer-Flat
2	1-413088	1	Bushing-Lever, Lift	9	93-1622	1	Pulley-Idler
3	114-0463	2	Washer-Friction, Composite	10	323-9	1	Screw-HH
4	119-8737	1	Plate-Idler	11	108-4056	1	Spring-Extension
5	110-9981	1	Washer-Plain	12	614672	1	Bolt-Shoulder
6	323-13	1	Screw-HH	13	104-8426	1	Spacer
7	104-8301	2	Nut-Flange, NI	14	3296-59	1	Nut-Lock, NI

Hydraulic System Assembly

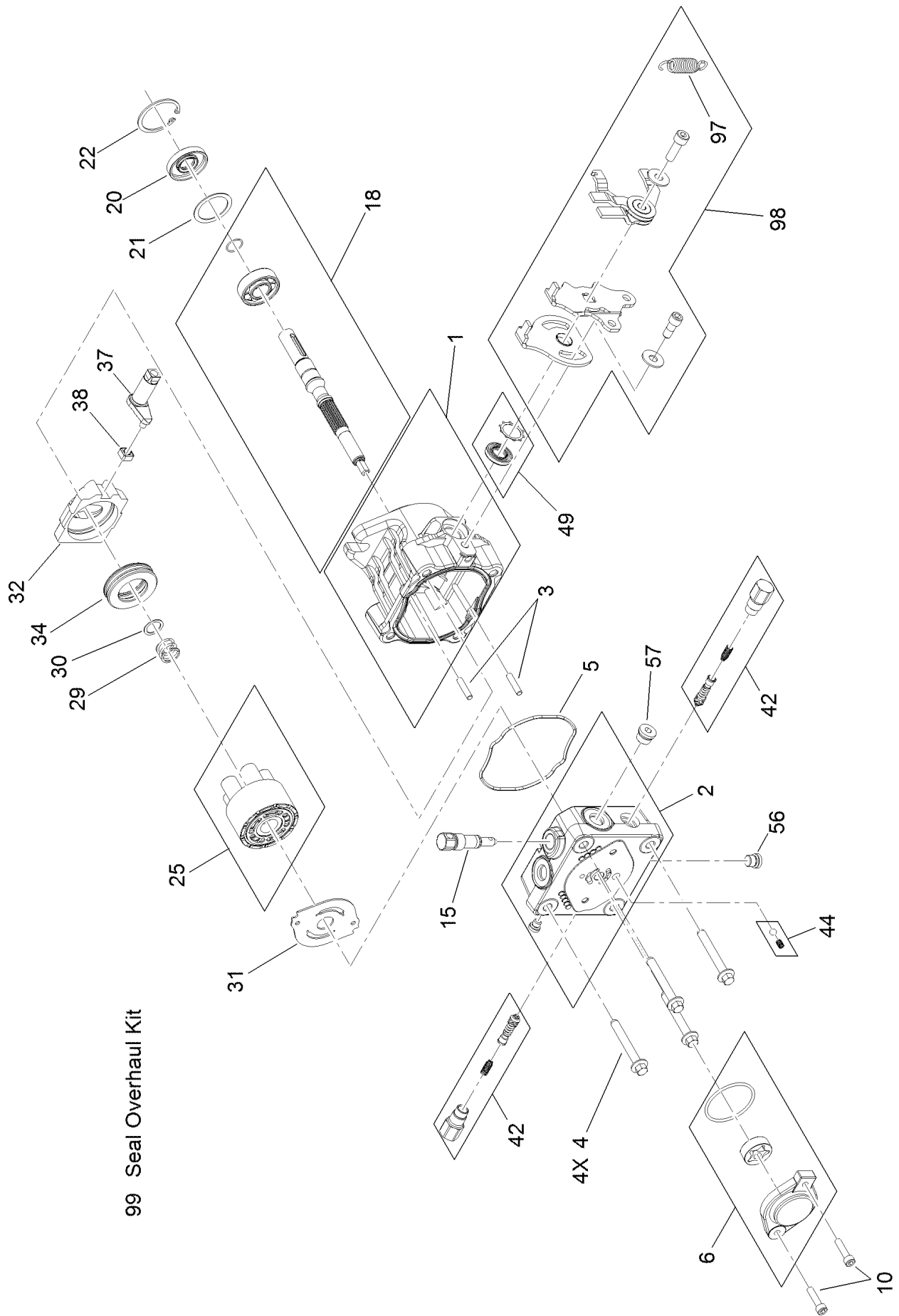


Hydraulic System Assembly (continued)

<i>Ref.</i>	<i>Part Number</i>	<i>Qty.</i>	<i>Description</i>	<i>Ref.</i>	<i>Part Number</i>	<i>Qty.</i>	<i>Description</i>
11	125-4672	2	Hydraulic Pump ASM	28:2	103-1020	1	O-Ring
12	3232-3	4	Bolt-CARR	29	103-1807	1	Fitting-Barbed, 45 DEG
14	114-8417	4	Nut-HF, NI	29:1	237-42	1	O-Ring
20	107-8433	1	HYD Reservoir ASM	30	121-5981	1	Case Drain Hose ASM
20:1		1	Reservoir-HYD ●	31	121-5968	1	Charge Hose ASM
20:1:1	103-1948	1	Cap-Reservoir, HYD	32	121-5983	1	HYD Hose ASM
20:1:2	103-1949	1	Gasket-Cap	33	121-5982	1	Case Drain Hose ASM
20:2	115-4212	1	Decal-Warning	36	1-523222	4	Fitting-HYD, 45 DEG
21	321-3	2	Screw-HH	36:1	1-603919	1	O-Ring
22	32128-32	2	Nut-HHF	36:2	1-603992	1	O-Ring
23	104-7836	1	Head-Filter	37	1-523221	4	Fitting-HYD, 45 DEG
24	3256-22	8	Washer-Flat	37:1	1-603920	1	O-Ring
25	114-3494	1	Element-Filter, 25 Micron	37:2	1-603992	1	O-Ring
26	100-4887	2	Fitting-Barbed, 90 DEG	38	116-6902	4	HYD Hose ASM
26:1	237-42	1	O-Ring	53	321-6	2	Screw-HH
27	103-1802	1	Fitting-HYD, 90 DEG	55	3290-378	2	Tie-Cable
27:1	1-603921	1	O-Ring	60	116-7205	1	Cooler-Oil
28	103-2156	4	Fitting-Straight	61	32104-17	4	Screw-HWH
28:1	1-603921	1	O-Ring				

● Not serviced separately

Hydraulic Pump Assembly No. 125-4672

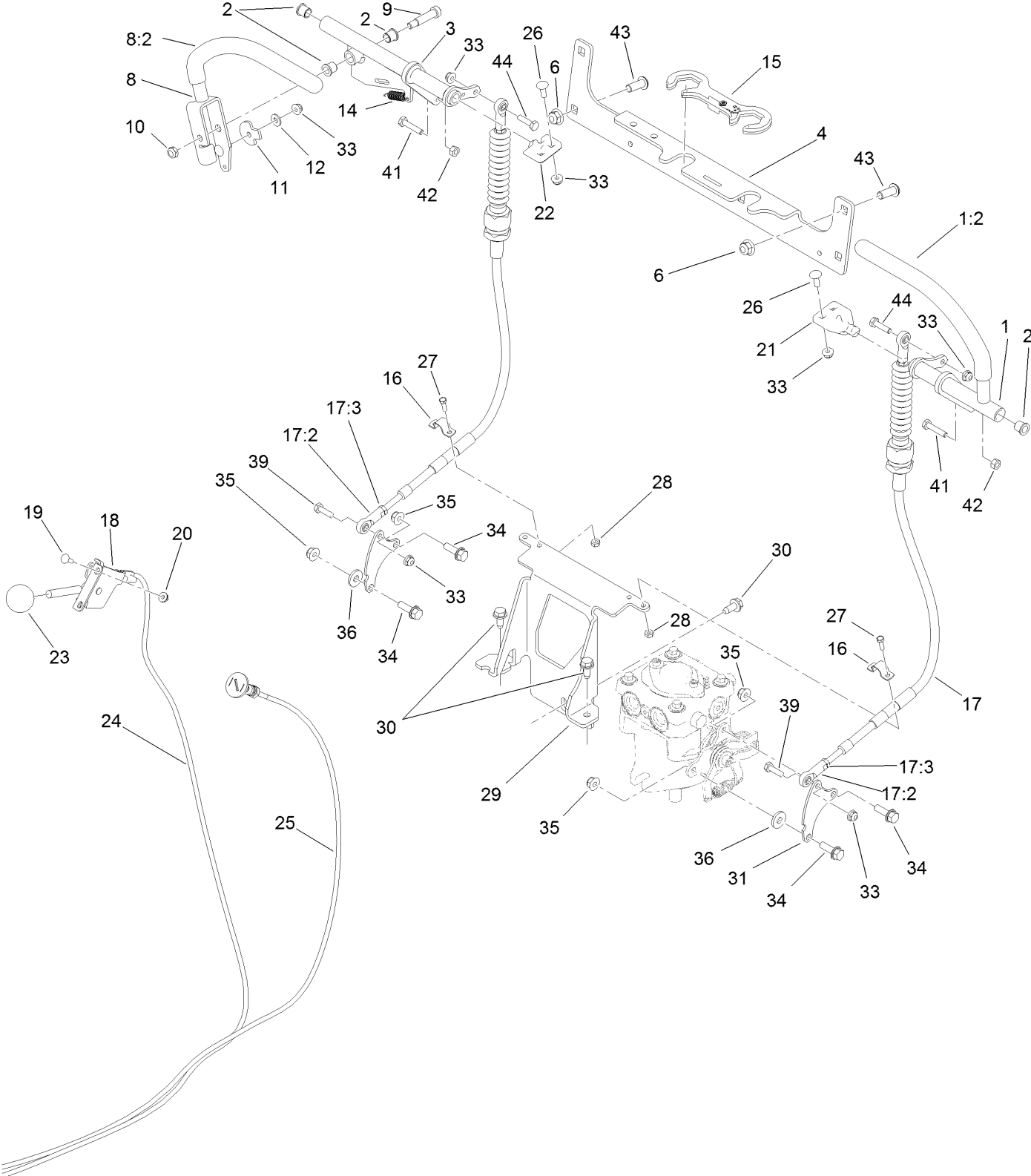


99 Seal Overhaul Kit

Hydraulic Pump Assembly No. 125-4672 (continued)

<i>Ref.</i>	<i>Part Number</i>	<i>Qty.</i>	<i>Description</i>	<i>Ref.</i>	<i>Part Number</i>	<i>Qty.</i>	<i>Description</i>
1	115-4464	1	Housing Kit	31	105-6185	1	Plate-Valve
2	106-8752	1	End Cap Kit (W/Poppets)	32	94-1907	1	Swashplate-Variable
3	106-8753	2	Pin-Headless, Straight	34	94-6922	1	Bearing-Thrust
4	106-8754	4	Bolt-HF	37	115-4458	1	Arm-Trunnion, Tapered Square
5	125-4682	1	O-Ring	38	94-1910	1	Guide-Slot
6	106-8756	1	Charge Pump Kit	42	125-4683	2	Shock Valve Kit
10	104-2111	2	Capscrew	44	112-4164	1	Charge Relief Kit
15	106-8759	1	Bypass Valve Kit	49	106-8761	1	Trunnion Seal / Retainer Kit
18	103-2664	1	Input Shaft Kit	56	106-8762	1	Plug-HSH
20	104-5310	1	Seal-Lip	57	104-2189	1	Plug-Thread, Straight
21	104-5308	1	Spacer	97	125-4684	1	Spring-Extension
22	104-5309	1	Ring-Retaining	98	115-4046	1	Return Kit
25	103-2666	1	Cylinder Block Kit	99	105-6184	1	Seal Overhaul Kit
29	94-1936	1	Spring-Block				
30	94-1937	1	Washer-Thrust				

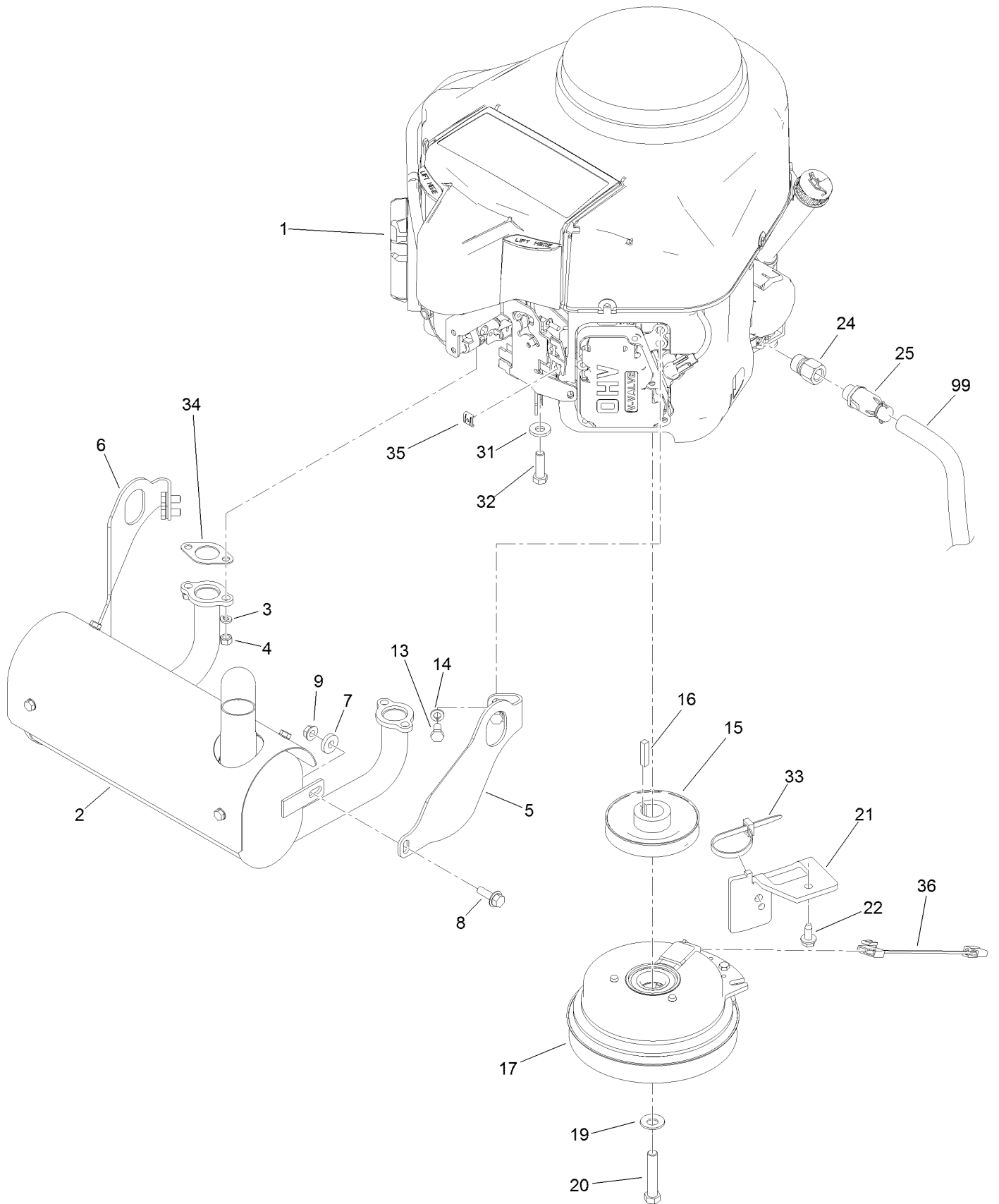
Control Assembly



Control Assembly (continued)

<i>Ref.</i>	<i>Part Number</i>	<i>Qty.</i>	<i>Description</i>	<i>Ref.</i>	<i>Part Number</i>	<i>Qty.</i>	<i>Description</i>
1	121-7993	1	Lever-LH	21	120-3288	1	Tab-Pivot, LH
1:2	119-0222	1	Grip	22	120-3287	1	Tab-Pivot, RH
2	103-9928	4	Bearing	23	1-603175	1	Knob-Ball
3	121-7992	1	Control-Motion, RH	24	119-6654	1	Cable-Throttle
4	119-7359-01	1	Bracket-Cross	25	119-6655	1	Control-Choke, Push/Pull
6	104-8301	4	Nut-Flange, NI	26	3229-1	4	Bolt-CARR
8	119-1887	1	Lever-Motion, RH	27	3290-134	4	Screw
8:2	119-0222	1	Grip	28	3296-2	4	Nut-Lock, NI
9	114-0239	1	Screw-HSH	29	119-8746-01	1	Bracket-Mount, Cable
10	3296-47	1	Nut-Lock, NI	30	32144-70	3	Screw-HWHTF
11	114-0268	1	Cam-Lever	31	121-5967	2	Plate-Control, Pump
12	3256-22	1	Washer-Flat	33	104-7201	9	Nut-HF
14	114-0249	1	Spring-Extension	34	3234-29	4	Screw-HHF
15	120-8372	1	Lock-Cable	35	104-8300	4	Nut-Flange, NI
16	119-7370	2	Clamp	36	4-2390	2	Washer-Flat
17	119-7366	2	Cable ASM	39	321-5	2	Screw-HH
17:2	119-7379	2	Rod-Ball Joint	41	114-0282	2	Screw-HH
17:3	3220-1	3	Nut-Jam	42	3217-5	2	Nut-Hex
18	110-5547	1	Lever-Control	43	3274-94	4	Screw-HSBH
19	1-807533	2	Bolt-CARR	44	321-6	2	Screw-HH
20	32128-17	2	Nut-Lock, Flange				

Engine Assembly



Engine Assembly (continued)

<i>Ref.</i>	<i>Part Number</i>	<i>Qty.</i>	<i>Description</i>	<i>Ref.</i>	<i>Part Number</i>	<i>Qty.</i>	<i>Description</i>
1		1	Engine-Kawasaki, Fs730V ●■	17	125-4673	1	Clutch
2	116-2352	1	Muffler	19	1-603610	1	Washer-Spring
3	114-3550	4	Washer-Lock, Spring	20	3212-9	1	Screw-HH
4	114-3549	4	Nut	21	116-3811-01	1	Bracket-Anchor, Clutch
5	116-2353	1	Bracket-Muffler Mount, LH	22	32144-70	1	Screw-HWHTF
6	116-2354	1	Bracket-Muffler Mount, RH	24	103-1966	1	Adapter
7	104-7658	2	Spacer	25	120-4321	1	Valve-Drain, Oil
8	3234-29	2	Screw-HHF	31	98-5975	4	Washer-Belleville
9	32128-25	2	Nut-HF	32	323-7	4	Screw-HH
13	33114-016	4	Screw-HH	33	3290-378	1	Tie-Cable
14	3253-4	4	Washer-Lock	34	1-653313	2	Gasket-Exhaust
15	116-3610	1	Pulley	35	81-1690	1	Clamp-Cable
16	1-807259	1	Key	36	109-9274	1	Harness-Clutch
				99	103-1964	1	Hose-Drain, Oil

● Not serviced separately

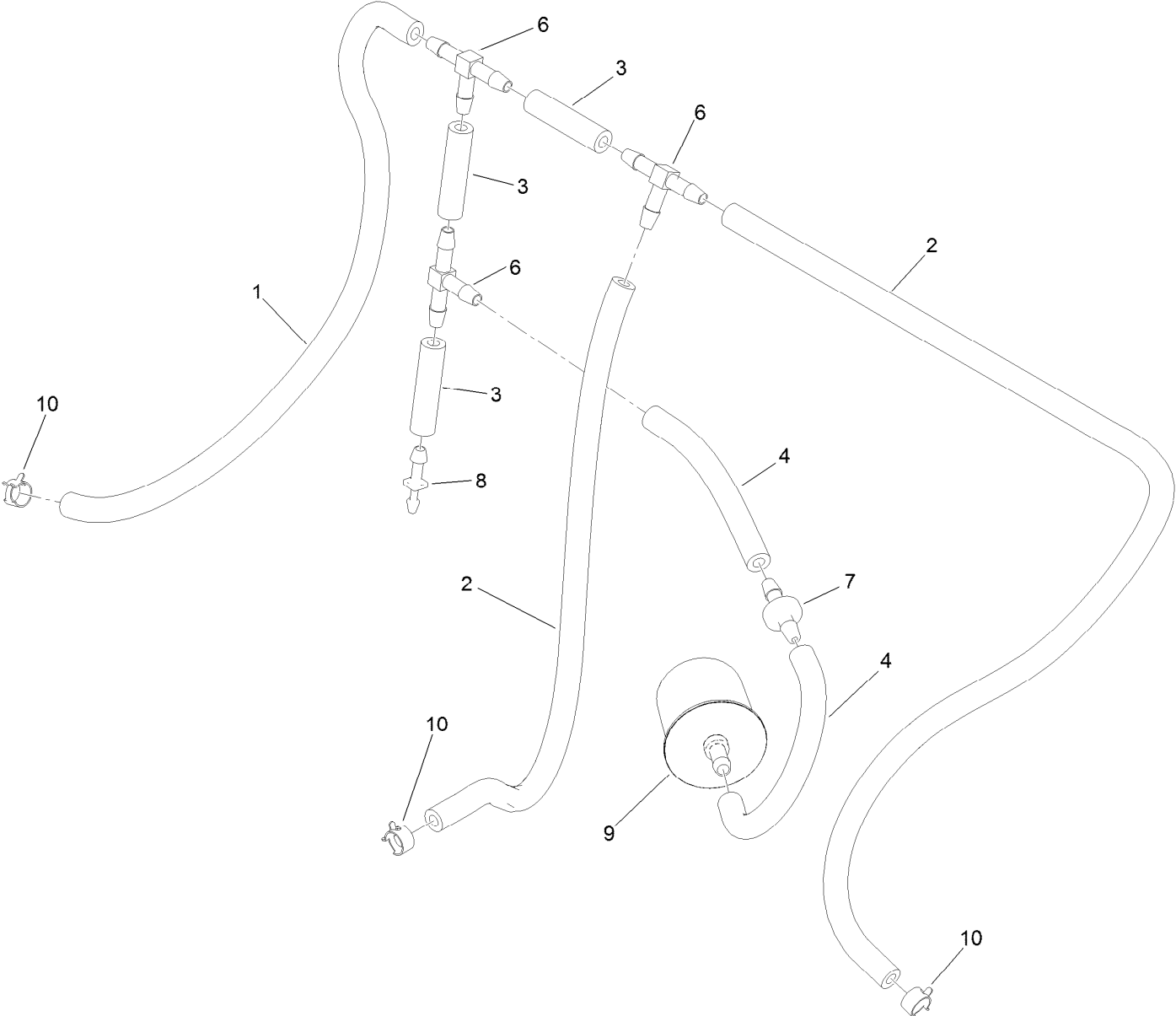
■ Obtain parts from www.kawpowerepc.com

Fuel Tank Assembly (continued)

<i>Ref.</i>	<i>Part Number</i>	<i>Qty.</i>	<i>Description</i>	<i>Ref.</i>	<i>Part Number</i>	<i>Qty.</i>	<i>Description</i>
1	120-8324	1	Tank ASM	11	112-7069	2	Grommet
1:2	46-6560	4	Bushing	12	120-6462	1	Bracket-Tank
1:3	117-9655	1	Fitting-Fuel, Screen Tube	12:2	116-3290	1	Decal-Fill, Fuel
1:4	95-8972	1	Grommet	13	32144-70	4	Screw-HWHTF
1:5	117-9719	1	Guage-Fuel	15		1	Vent Hose ASM ●
1:6	115-7788	1	Cap-Fuel	16	2412-87	2	Clamp-Cable
1:7	1-643172	3	Elbow-90 DEG	17	2412-96	1	Clamp-R
5	110-5701	1	Hose-Fuel	18	322-3	1	Screw-HH
6	1-603770	1	Valve-Fuel	19	104-8300	1	Nut-Flange, NI
7	109-0297	1	Hose-Fuel	20	119-6073	1	Hose-Fuel
9	3290-378	5	Tie-Cable	21	116-4769	1	Decal-Filter, Emissions
10	2412-98	4	Clamp-Hose				

● Not serviced separately

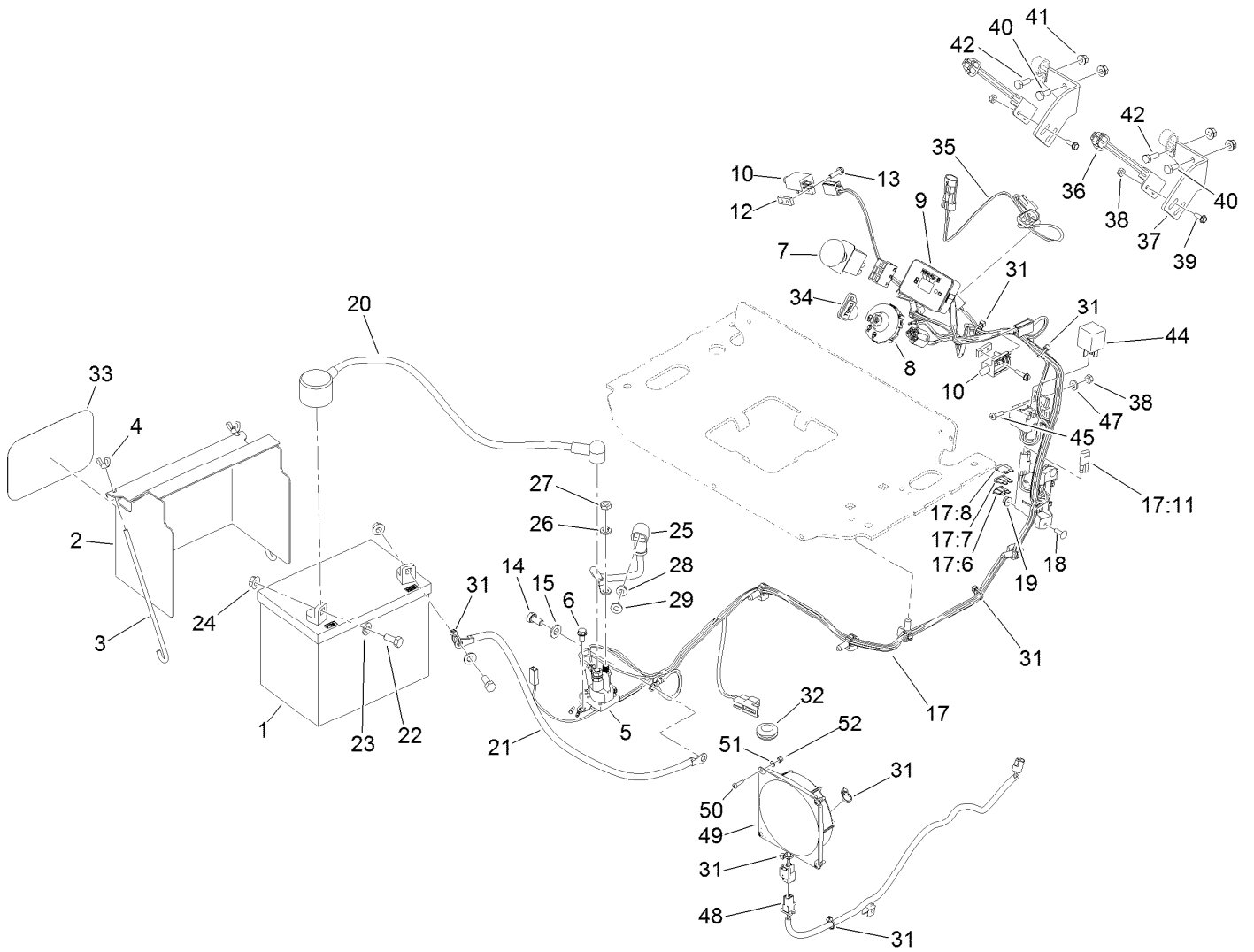
Vent Hose Assembly



Vent Hose Assembly (continued)

<i>Ref.</i>	<i>Part Number</i>	<i>Qty.</i>	<i>Description</i>	<i>Ref.</i>	<i>Part Number</i>	<i>Qty.</i>	<i>Description</i>
1	109-3491	1	Hose-Fuel	7	99-5000	1	Valve-Check, Fuel
2	109-0299	2	Hose-Fuel	8	106-8150	1	Fitting-Straight
3	99-9415	3	Hose-Fuel	9	120-2235	1	Filter-Fuel
4	109-0650	2	Hose-Fuel	10	2412-98	3	Clamp-Hose
6	99-5005	3	Fitting-Tee, Barbed				

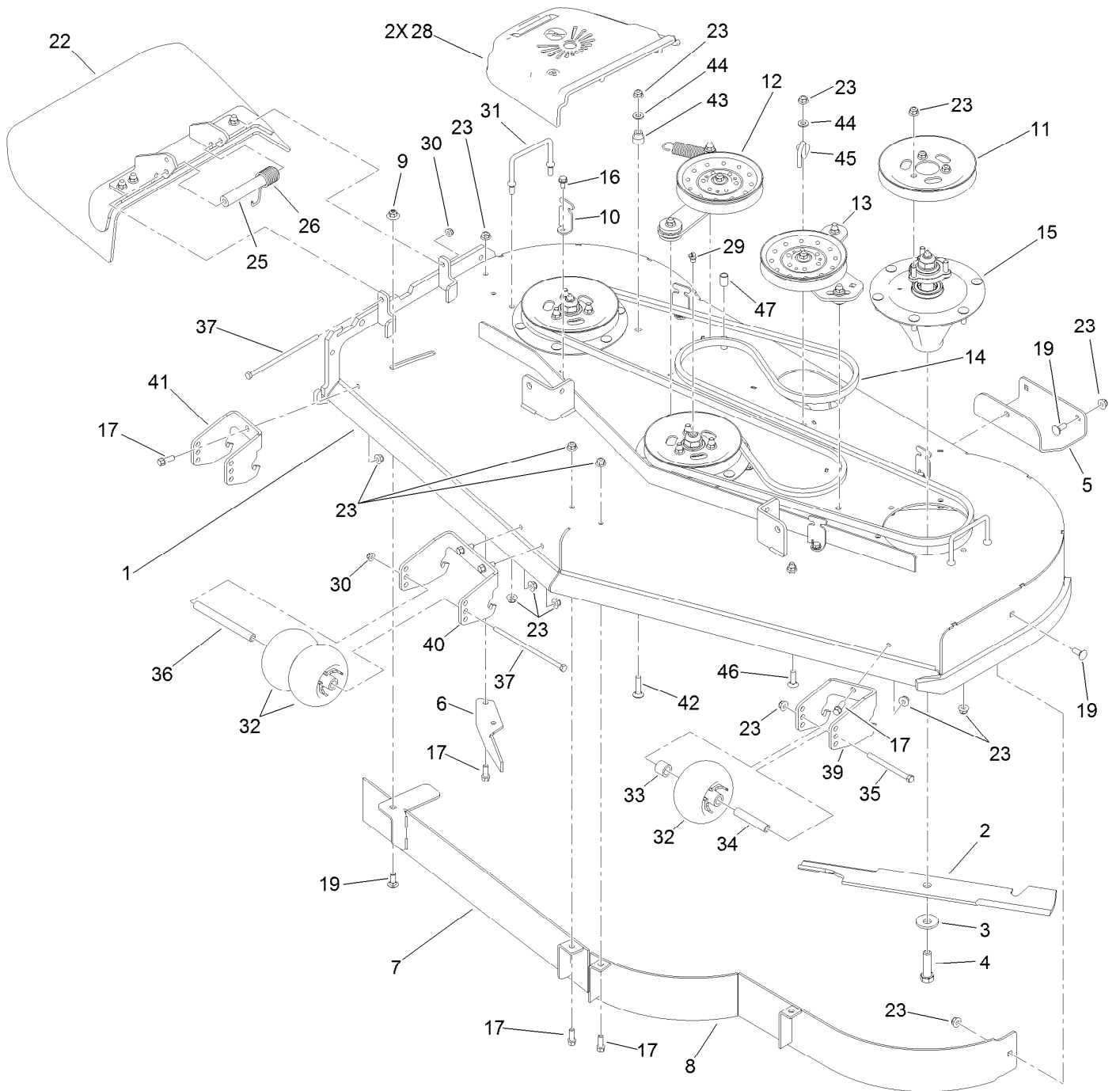
Electrical Assembly



Electrical Assembly (continued)

<i>Ref.</i>	<i>Part Number</i>	<i>Qty.</i>	<i>Description</i>	<i>Ref.</i>	<i>Part Number</i>	<i>Qty.</i>	<i>Description</i>
1	104-8162	1	Battery-Dry	25	106-8268	1	Cable-Battery, Red
2	117-0543-01	1	Cover-Battery	26	3253-4	2	Washer-Lock
3	1-633651	2	Bolt-Holddown	27	3220-2	2	Nut-Jam
4	1-543792	2	Wingnut	28	32128-33	1	Nut-HF
5	117-1197	1	Solenoid	29	3256-22	1	Washer-Flat
6	32144-4	2	Screw-HWH	31	1-303287	7	Tie-Cable
7	114-0279	1	Switch-PTO	32	117-2781	1	Grommet
8	117-2222	1	Switch-Ignition	33	68-3640	1	Decal
9	117-3886	1	Module-Hour Meter	34	63-8360	1	Key-Ignition (W/Shield)
10	1-513152	2	Switch-Closed, Normally	35	119-8729	1	Harness-Wire, Neutral
12	1-633181	2	Plate-Tapped				Switch
13	32105-13	4	Screw-HWH	36	105-0023	2	Switch-Proximity
14	33114-016	1	Screw-HH	37	119-8503-01	2	Bracket-Mount, Switch
15	33094-00	1	Washer-Plain	38	3296-2	5	Nut-Lock, NI
17	121-7510	1	Harness-Wire	39	32105-23	4	Screw
17:6	109103	1	Fuse-Blade, 30 Amp	40	321-3	2	Screw-HH
17:7	109102	1	Fuse-Blade, 25 Amp	41	32128-32	4	Nut-HHF
17:8	218-578	1	Fuse-Blade, 10 Amp	42	321-4	2	Screw-HH
17:11	116-0053	1	Cap-Plug	44	1-643275	1	Relay
18	1-807533	2	Bolt-CARR	45	3290-500	1	Screw-PPH
19	3290-148	2	Nut-HF	47	3256-14	1	Washer-Flat
20	115-3864	1	Cable-Battery, Positive	48	120-8389	1	Harness-Wire, Fan
21	105-0836	1	Cable-Battery, Black	49	116-7047	1	Fan-Electric
22	322-3	2	Screw-HH	50	46-0670	4	Screw-PPH
23	3256-23	2	Washer-Flat	51	48-7990	4	Washer-Flat
24	109-5715	2	Nut-HHF, Smooth	52	46-0430	4	Nut-Lock

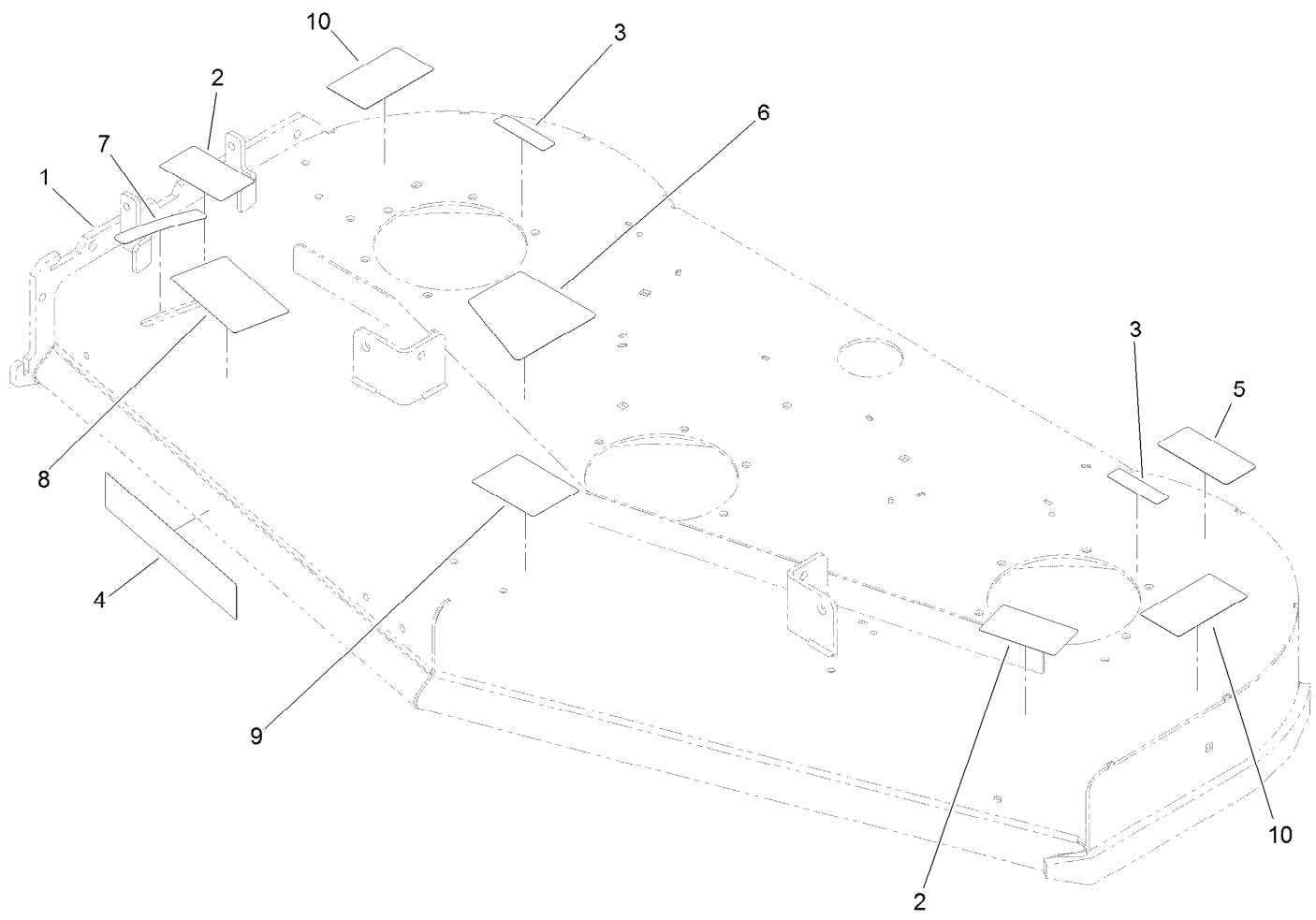
Deck Assembly



Deck Assembly (continued)

<i>Ref.</i>	<i>Part Number</i>	<i>Qty.</i>	<i>Description</i>	<i>Ref.</i>	<i>Part Number</i>	<i>Qty.</i>	<i>Description</i>
1	120-6414	1	Deck ASM	26	108-4052	1	Spring-Torsion
2	105-7718-03	3	Blade-Hi Flow	28	120-6423	2	Cover-Belt
3	103-0865	3	Washer-Blade Bolt, Heavy	29	302-33	1	Fitting-Grease
4	51-4060	3	Screw-Blade	30	104-8300	2	Nut-Flange, NI
5	114-1908-01	1	Skid	31	109-6982	2	Wireform-Cover
6	106-3216-01	1	Baffle-Discharge	32	1-603299	4	Roller-Scalp, Anti
7	121-1788-01	1	Baffle ASM	33	98-7913	2	Tube-Spacer
8	117-9701-01	1	Baffle ASM	34	98-7912	2	Tube-Spanner
9	109-6658	1	Nut-Flange, NI	35	323-23	2	Screw-HH
10	117-5758-03	4	Bracket-Cover	36	98-5967	1	Spacer-Wheel
11	120-6434	3	Pulley	37	322-50	2	Screw-HH
12	121-5970	1	RH Idler Arm ASM	39	114-5204-01	1	Bracket-Wheel, LH
13	121-5965	1	LH Idler Arm ASM	40	114-5208-01	1	Bracket-Wheel, Center
14	106-7369	1	Belt-V	41	114-5213-01	1	Bracket-Wheel, RH
15	119-8560	3	Spindle ASM	42	3231-5	1	Screw-CARR
16	32144-70	4	Screw-HWHTF	43	1-603496	1	Bushing-Idler
17	92-1624	9	Screw-HWH	44	3256-24	2	Washer-Flat
19	3231-2	5	Bolt-CARR	45	110-6975	1	Guide-Belt
22	120-2451	1	Deflector ASM	46	3231-28	1	Screw-CARR
23	104-8301	48	Nut-Flange, NI	47	121-7521	1	Bumper-Idler
25	105-4622	1	Spacer				

Deck Decal Assembly No. 120-6414

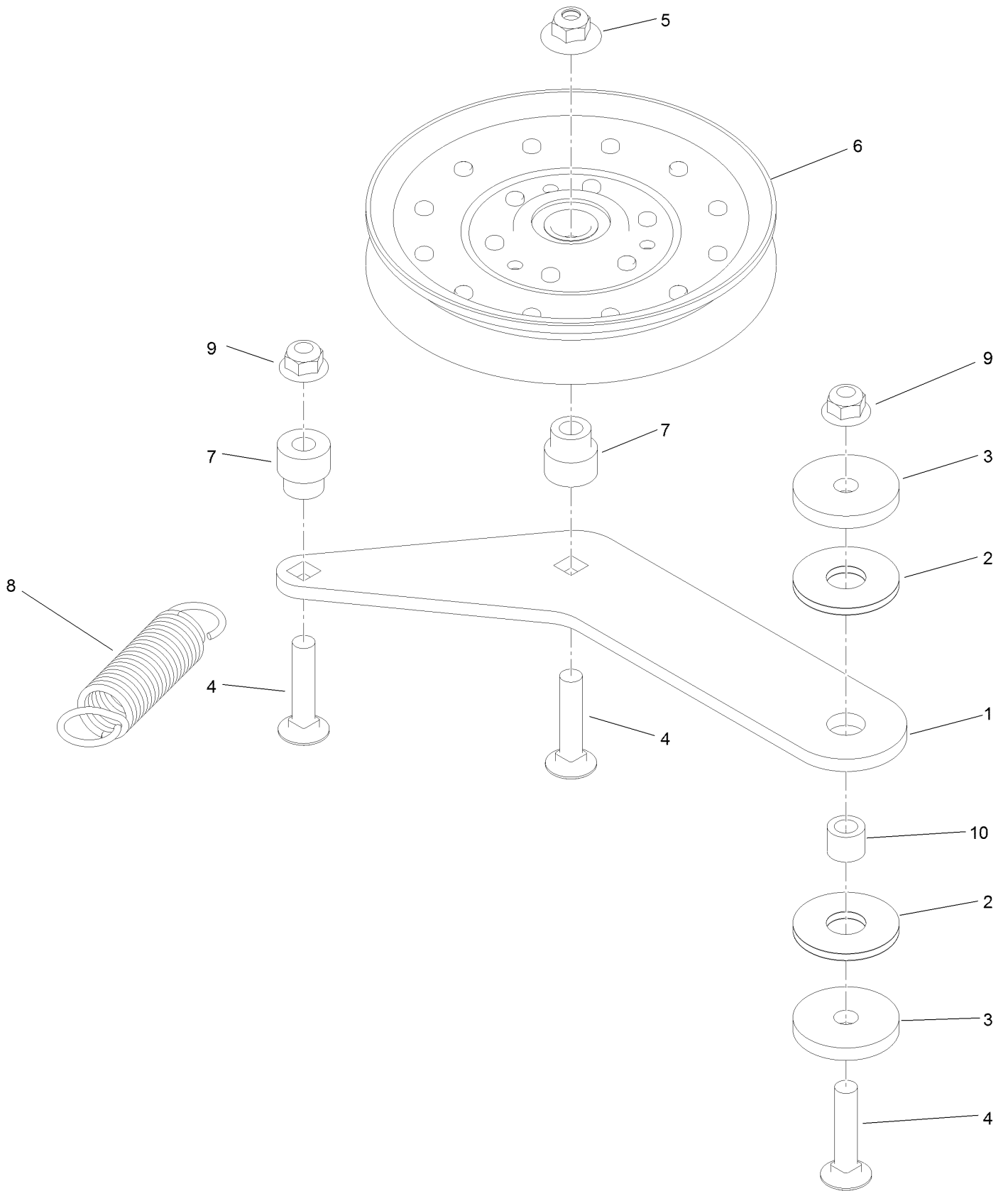


Deck Decal Assembly No. 120-6414 (continued)

<i>Ref.</i>	<i>Part Number</i>	<i>Qty.</i>	<i>Description</i>	<i>Ref.</i>	<i>Part Number</i>	<i>Qty.</i>	<i>Description</i>
1		1	Deck ASM ●	7	110-2067	1	Decal-Setting, Baffle
2	121-6049	2	Decal-Danger	8	110-2068	1	Decal-Adjustment, Baffle
3	119-0217	2	Decal-Danger	9	112-3858	1	Decal-Anti Scalp
4	107-1619	1	Decal	10	120-6424	2	Decal-Danger, Rotating Parts
5	93-7818	1	Decal-Torque, Blade Bolt				
6	120-6412	1	Decal-Belt Tension, Ce				

● Not serviced separately

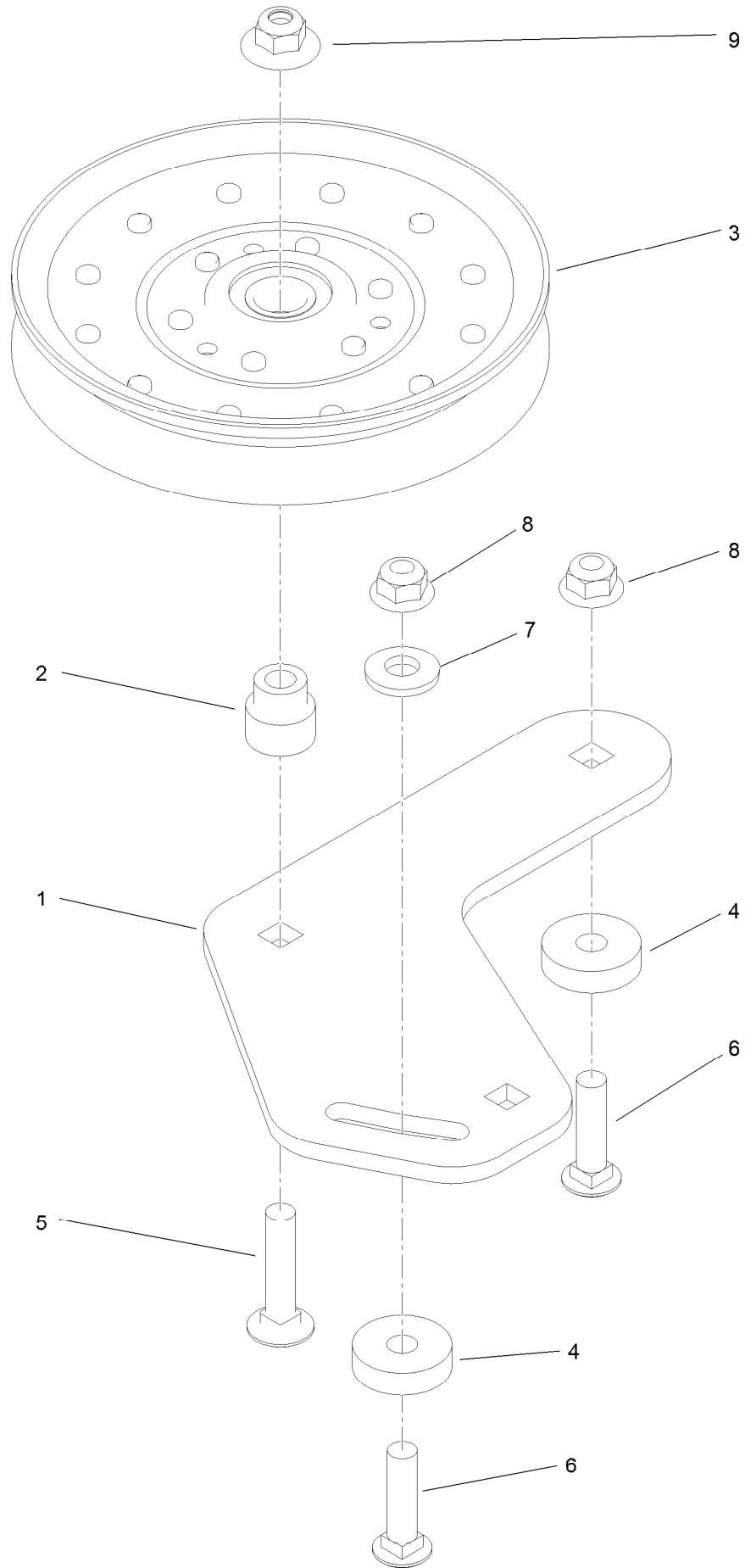
Right Hand Idler Assembly No. 121-5970



Right Hand Idler Assembly No. 121-5970 (continued)

<i>Ref.</i>	<i>Part Number</i>	<i>Qty.</i>	<i>Description</i>	<i>Ref.</i>	<i>Part Number</i>	<i>Qty.</i>	<i>Description</i>
1	121-5971	1	Arm-Idler, RH	6	116-4667	1	Idler-Pulley, Flat
2	114-0463	2	Washer-Friction, Composite	7	1-603496	2	Bushing-Idler
3	110-9981	2	Washer-Plain	8	1-603402	1	Spring-Extension
4	3231-5	3	Screw-CARR	9	104-8301	2	Nut-Flange, NI
5	109-6658	1	Nut-Flange, NI	10	1-413088	1	Bushing-Lever, Lift

Left Hand Idler Assembly No. 121-5965

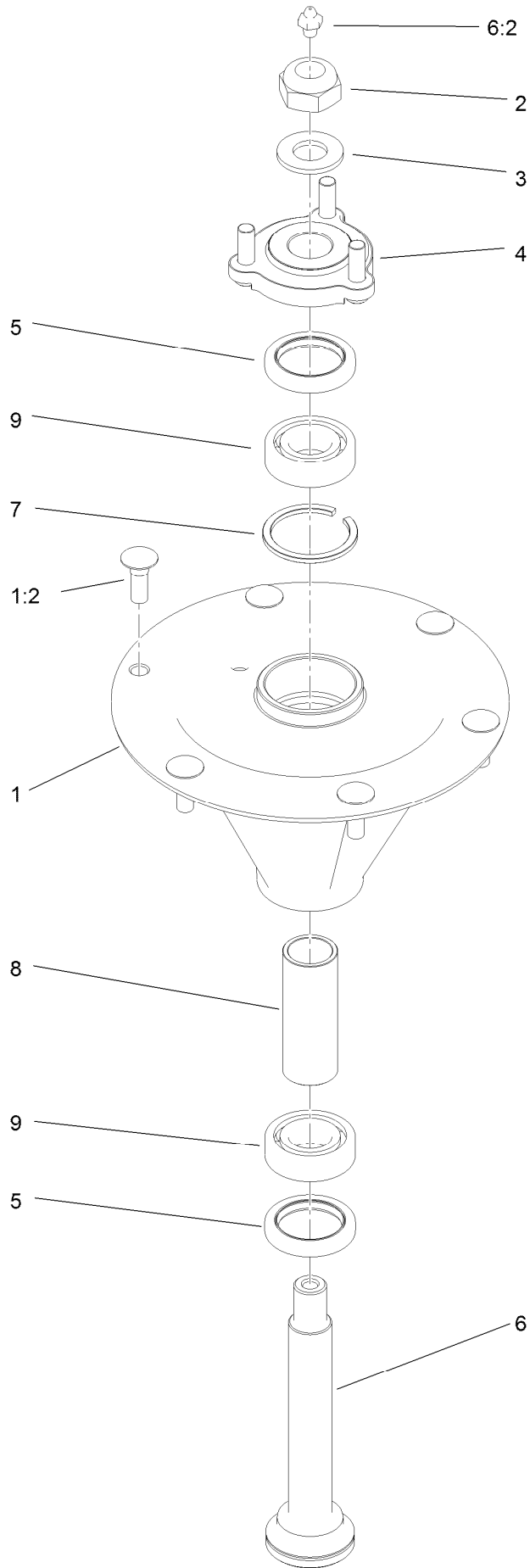


Left Hand Idler Assembly No. 121-5965 (continued)

<i>Ref.</i>	<i>Part Number</i>	<i>Qty.</i>	<i>Description</i>
1	121-5966-03	1	Arm-Idler, LH
2	1-603496	1	Bushing-Idler
3	116-4667	1	Idler-Pulley, Flat
4	105-7788	2	Spacer
5	3231-5	1	Screw-CARR

<i>Ref.</i>	<i>Part Number</i>	<i>Qty.</i>	<i>Description</i>
6	3231-4	2	Screw-CARR
7	98-5975	1	Washer-Belleville
8	104-8301	2	Nut-Flange, NI
9	109-6658	1	Nut-Flange, NI

Spindle Assembly No. 119-8560

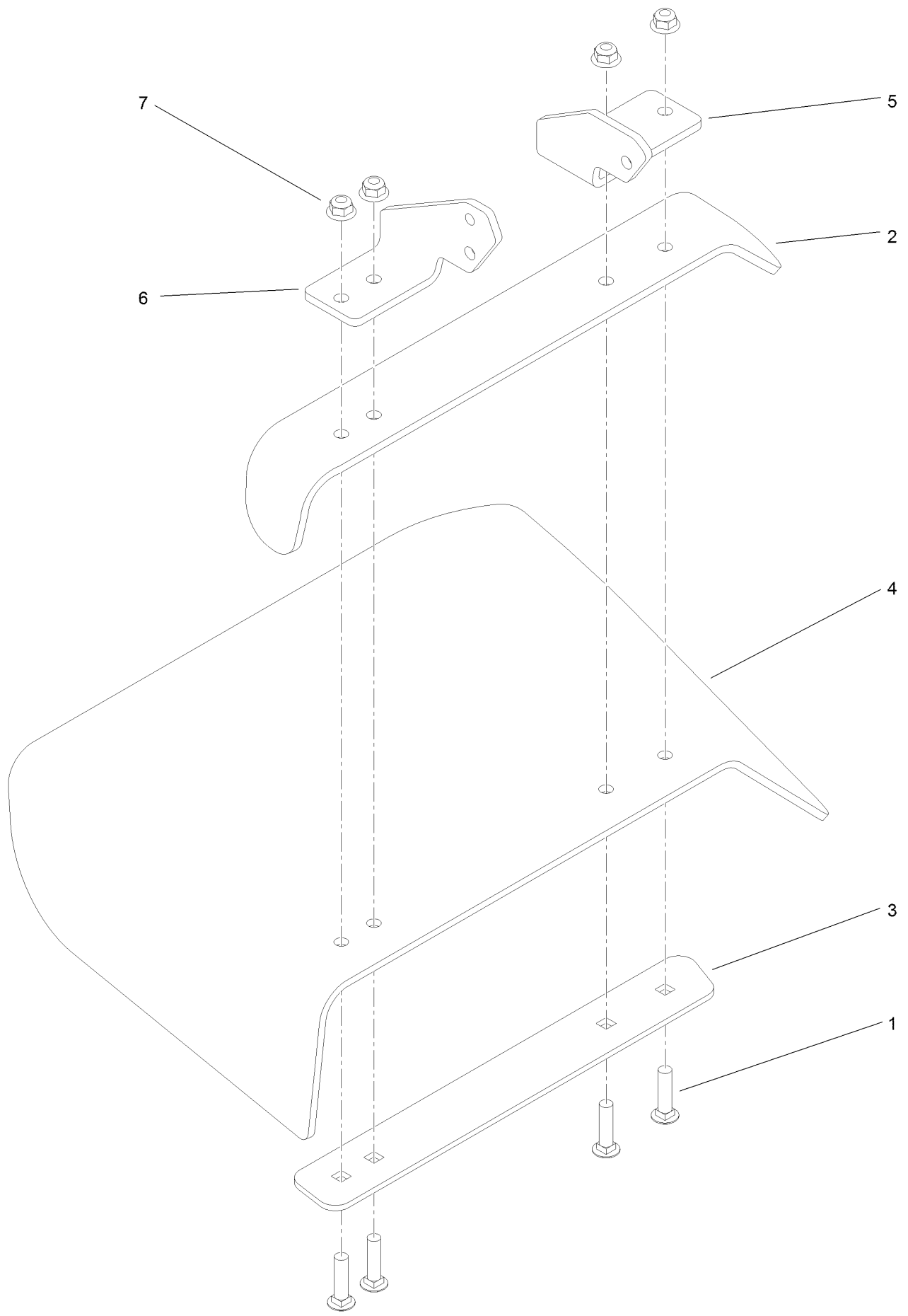


Spindle Assembly No. 119-8560 (continued)

<i>Ref.</i>	<i>Part Number</i>	<i>Qty.</i>	<i>Description</i>	<i>Ref.</i>	<i>Part Number</i>	<i>Qty.</i>	<i>Description</i>
1		1	Spindle Housing And Studs ASM ●	5	253-133	2	Seal-Oil
1:2	114-8195	6	Bolt-Ribbed Neck	6	119-8527	1	Spindle Shaft And Zerk ASM
2	3296-67	1	Nut-Lock, NI	6:2	302-2	1	Fitting-Grease
3	92-5836	1	Washer	7	119-8532	1	Snap Ring
4	117-6172	1	Spindle Hub ASM	8	117-6184	1	Spacer
				9	119-8558	2	Bearing-Noseal

● Not serviced separately

Deflector Assembly No. 120-2451



Deflector Assembly No. 120-2451 (continued)

<i>Ref.</i>	<i>Part Number</i>	<i>Qty.</i>	<i>Description</i>	<i>Ref.</i>	<i>Part Number</i>	<i>Qty.</i>	<i>Description</i>
1	3231-4	4	Screw-CARR	5	108-4059-01	1	Plate-Hinge, Rear
2	106-3246-01	1	Deflector	6	106-3253-01	1	Plate-Hinge, Front
3	106-3248-03	1	Strap-Discharge	7	104-8301	4	Nut-Flange, NI
4	110-0759	1	Deflector-Rubber				

Attachments and Accessories

For 74553 GrandStand Mower With 60in TURBO FORCE Cutting Unit

Product Name	Model/Part
Blade-Mid Flow, 20.5in	105-7715-03
Blade-Lo Flow, 20.5in	105-7716-03
Blade-Hi Flow, 20.5in.....	105-7718-03
Blade-Recycler, 20.5in.....	105-7777-03
Blade-Atomic, 20.5in	105-8777-03
Turbo Baffle Kit	107-1634
6 Pack Blade, 20.5in Hi-Flow	108-1114
6 Pack-Blade, 20.5in Atomic.....	108-1115
6 Pack Blade, 20.5in Mid-Flow	108-1123
6 Pack-Blade, 20.5in Lo Flow	108-1128
6 Pack-Blade, 20.5in Recycler.....	110-0405
Weight-Cast.....	112-7059-01
Light Kit.....	114-3505
Striping Kit	114-3521
Hypr-Oil 500 (quart).....	114-4713
Hypr-Oil 500 (gallon).....	114-4714
Hypr-Oil 500-5 (5 gallon).....	114-4715
Recycler Kit	115-7468
Weight Kit	117-3620
Chute Gate Kit With Bag.....	119-7292
Speed Control Kit.....	119-7390
Trash Bag Kit, GrandStand Mower with 60-inch/122cm Cutting Unit.....	121-6039
Soft Bag (3 Bushel).....	30104
Spark Arrestor	98-9099

Notes:



Count on it.