



**Count on it.**

**Parts Catalog**

**GrandStand® Mower**

**With 60in TURBO FORCE® Cutting Unit**

**Model No. 74583—Serial No. 313001001 and Up**



# Ordering Replacement Parts

To order replacement parts, please supply the part number, the quantity, and the description of each part desired.

## Understanding Reference Numbers

Each identified part in an illustration has a reference number. The reference number for a part also appears in the parts list, along with other information about the part.

This catalog uses two special reference number formats, one to indicate parts in a service assembly and another to indicate the quantity of a given part in an illustration.

## Service Assembly Reference Numbers

Parts in service assemblies have reference numbers in the form a:b. The a represents the reference number of the entire service assembly and the b represents a sequential number unique to each part within the service assembly.

For example, a wheel assembly might be identified by reference number 6, the tire by 6:1, the valve by 6:2, and the wheel by 6:3. When you order the assembly identified by reference number 6, you receive all parts identified by reference numbers 6:1, 6:2, and 6:3. However, you may also order any part individually. Reference numbers of this type appear in illustration and in parts lists.

## Reference Numbers Indicating Quantity

In an illustration, if a reference number indicates more than one part, the reference number has the form nX y. The n represents the quantity of the part, the X is the multiplication symbol, and the y represents the reference number.

For example, in an illustration, the reference number 2X 37 means that two of the parts identified by reference number 37 are indicated.

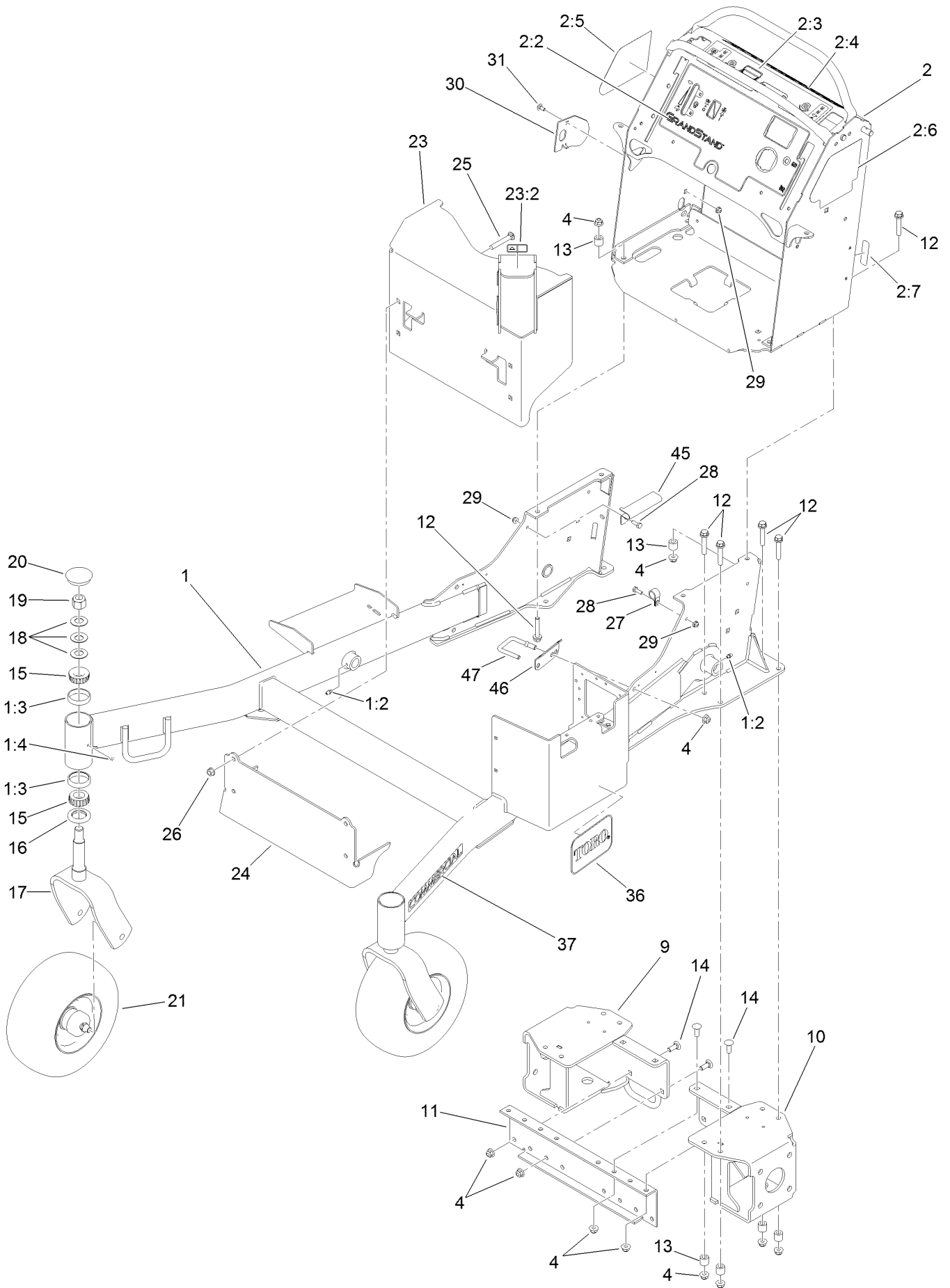
# List of Abbreviations

<b>AR:</b> as required	<b>HLH:</b> hex lag head	<b>PTO:</b> power-take-off
<b>ASM:</b> assembly	<b>HOC:</b> height-of-cut	<b>RH:</b> right hand
<b>BBC:</b> blade brake control	<b>HSBH:</b> hex socket button head	<b>ROPS:</b> roll-over protection system
<b>BHTF:</b> button head thread forming	<b>HSFH:</b> hex socket flat head	<b>RRB:</b> rear roller brush
<b>CARR:</b> carriage	<b>HSH:</b> hex socket head	<b>SFH:</b> slotted fillister head
<b>CCW:</b> counter clockwise	<b>HWH:</b> hex washer head	<b>SHH:</b> slotted hex head
<b>CW:</b> clockwise	<b>HWHTF:</b> hex washer head thread forming	<b>SHWH:</b> slotted hex washer head
<b>DEG:</b> degrees	<b>HYD:</b> hydraulic	<b>SPH:</b> slotted pan head
<b>DPA:</b> Dual Point Adjustment	<b>LH:</b> left hand	<b>SQH:</b> square head
<b>ECM:</b> electronic control module	<b>LP:</b> Liquefied Petroleum Gas	<b>SRH:</b> slotted round head
<b>EXT:</b> external	<b>LPG:</b> Liquefied Petroleum Gas	<b>STD:</b> standard
<b>FH:</b> flat head	<b>NI:</b> nylon insert	<b>TAP:</b> self tapping
<b>GA:</b> gauge	<b>NPTF:</b> national pipe thread fine	<b>TTH:</b> torx truss head
<b>HD:</b> heavy-duty	<b>PFH:</b> phillips flat head	
<b>HF:</b> hex flange	<b>PPH:</b> phillips pan head	
<b>HH:</b> hex head	<b>PPHTF:</b> phillips pan head thread forming	
<b>HHF:</b> hex head flange	<b>PRH:</b> phillips round head	
<b>HHFTF:</b> hex head flange thread forming	<b>PTH:</b> phillips truss head	
<b>HJ:</b> hex jam		

# Contents

Frame Assembly.....	4
Wheel and Bearing Assembly No. 112-3810.....	6
Parking Brake Assembly.....	8
Decklift Assembly.....	10
Cushion and Platform Assembly.....	12
Cushion Assembly No. 119-8742.....	14
Platform Assembly No. 117-9640.....	16
Ground Drive Assembly.....	18
Hydraulic Motor Assembly No. 114-0549.....	20
Pump Idler Assembly.....	22
Hydraulic System Assembly.....	24
Hydraulic Pump Assembly No. 125-4672.....	26
Control Assembly.....	28
Fuel Tank Assembly.....	30
Vent Hose Assembly.....	32
Electrical Assembly.....	34
Engine Assembly.....	36
Deck Assembly.....	38
Deck Decal Assembly No. 120-6414.....	40
Right Hand Idler Assembly No. 121-5970.....	42
Left Hand Idler Assembly No. 121-5965.....	44
Spindle Assembly No. 119-8560.....	46
Deflector Assembly No. 120-2451.....	48
Attachments and Accessories.....	50

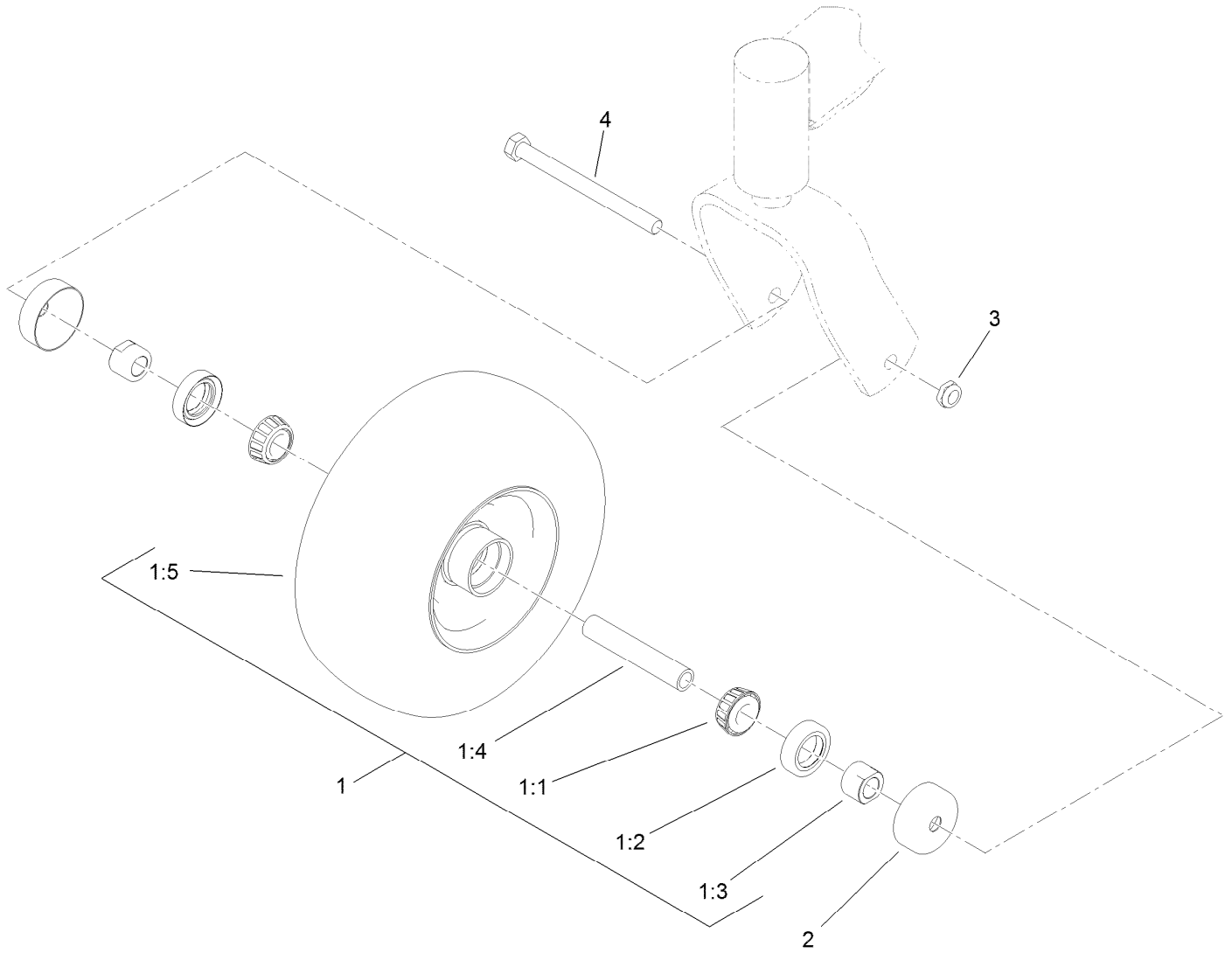
# Frame Assembly



## Frame Assembly (continued)

<i>Ref.</i>	<i>Part Number</i>	<i>Qty.</i>	<i>Description</i>	<i>Ref.</i>	<i>Part Number</i>	<i>Qty.</i>	<i>Description</i>
1	121-5995	1	Front Frame ASM	18	1-633508	6	Washer-Bellville
1:2	302-5	4	Fitting-Grease	19	3296-51	2	Nut-Lock, NI
1:3	1-543508	4	Cup-Bearing	20	103-4882	2	Cap-Grease
1:4	1-811010	2	Plug	21	112-3810	2	Wheel/Tire And Bearing ASM
2	121-5950	1	Control Tower ASM	23	116-6373	1	Muffler Guard ASM
2:2	120-6497	1	Decal-Control Panel, Efi	23:2	106-5517	1	Decal-Warning, Hot Surface
2:3	119-8727	1	Decal-Opc	24	116-3113-01	1	Panel-Guard
2:4	117-3626	1	Decal-Warning	25	3231-31	4	Screw-CARR
2:5	117-0456	1	Decal-HOC	26	32128-21	4	Nut-HF
2:6	121-5972	1	Decal-Service/Spark Arrest	27	2412-87	1	Clamp-Cable
2:7	116-3267	1	Decal-Fuse	28	321-4	2	Screw-HH
4	104-8301	22	Nut-Flange, NI	29	104-7201	3	Nut-HF
9	119-7222-01	1	Mount-Motor, RH	30	119-7312	1	Plate-Striker
10	119-7220-01	1	Mount-Motor, LH	31	3229-11	1	Screw-CARR
11	119-7224-01	1	Mount-Motor, Center	36	68-3640	1	Decal
12	108-3742	12	Screw-HHF	37	117-3591	2	Decal-Commercial
13	121-1760	12	Spacer	45	116-5067	1	Bracket-Hose, Fuel (Double)
14	3231-22	8	Screw-CARR	46	121-6003	2	Guard-Hose
15	1-543509	4	Bearing-Roller, Tapered	47	121-6004	2	Guide-Hose
16	1-543511	2	Seal-Grease				
17	103-8618-01	2	Fork-Caster				

# Wheel and Bearing Assembly No. 112-3810

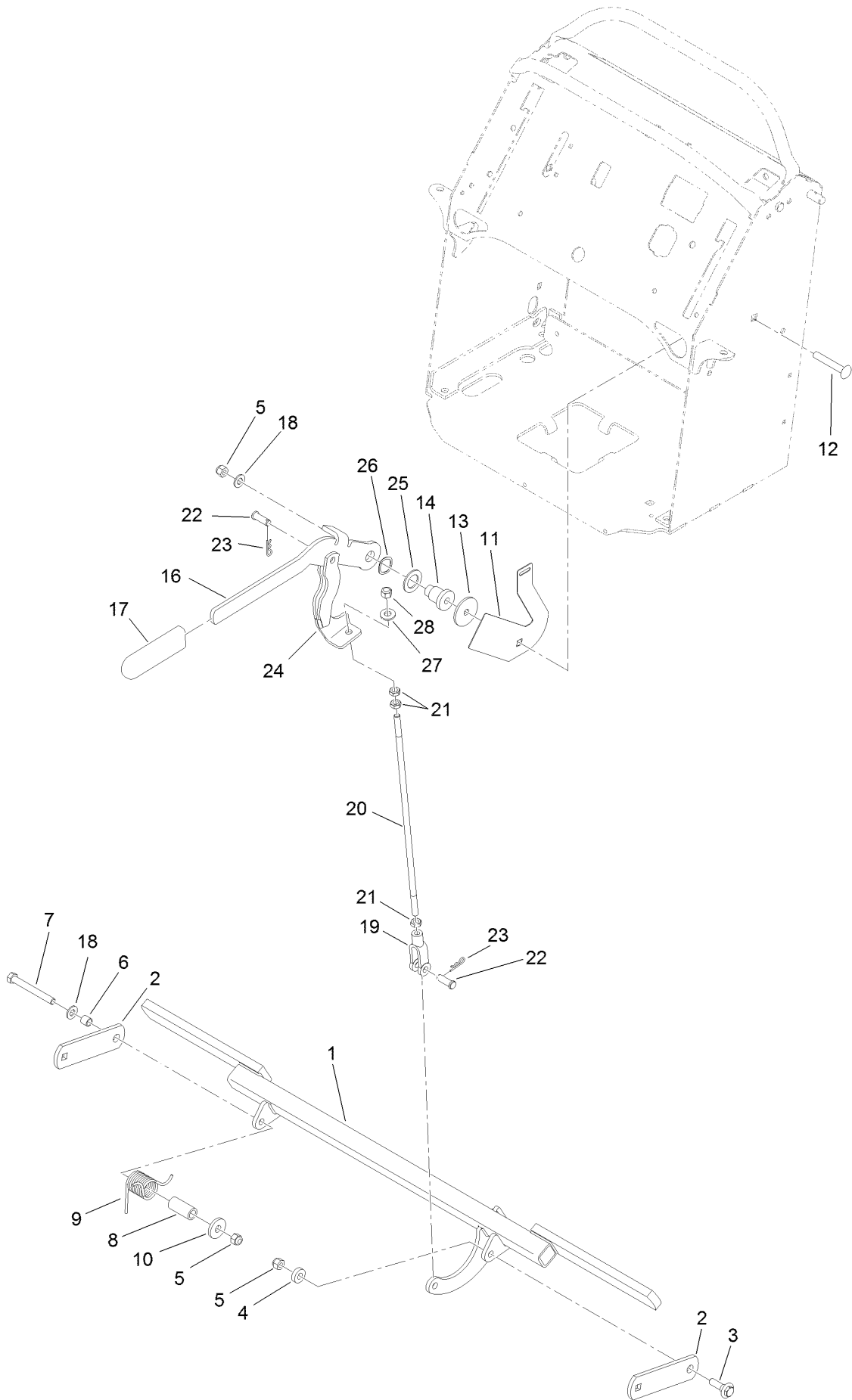


# Wheel and Bearing Assembly No. 112-3810 (continued)

<i>Ref.</i>	<i>Part Number</i>	<i>Qty.</i>	<i>Description</i>	<i>Ref.</i>	<i>Part Number</i>	<i>Qty.</i>	<i>Description</i>
1		1	Wheel And Bearing ASM ●	1:5	110-9965	1	Wheel And Tire ASM
1:1	1-633585	2	Bearing-Cone, Taper	2	103-2768	2	Guard-Seal
1:2	103-0063	2	Seal-Caster	3	3296-45	1	Nut-Lock, NI
1:3	103-3051	2	Spacer-Nut ■	4	325-20	1	Screw-HH
1:4	103-3157	1	Axle-Caster				

● Not serviced separately  
 ■ Use Pro-Lock, Nut Type (P/N 1-840022, .5ml tube) on spacer nut

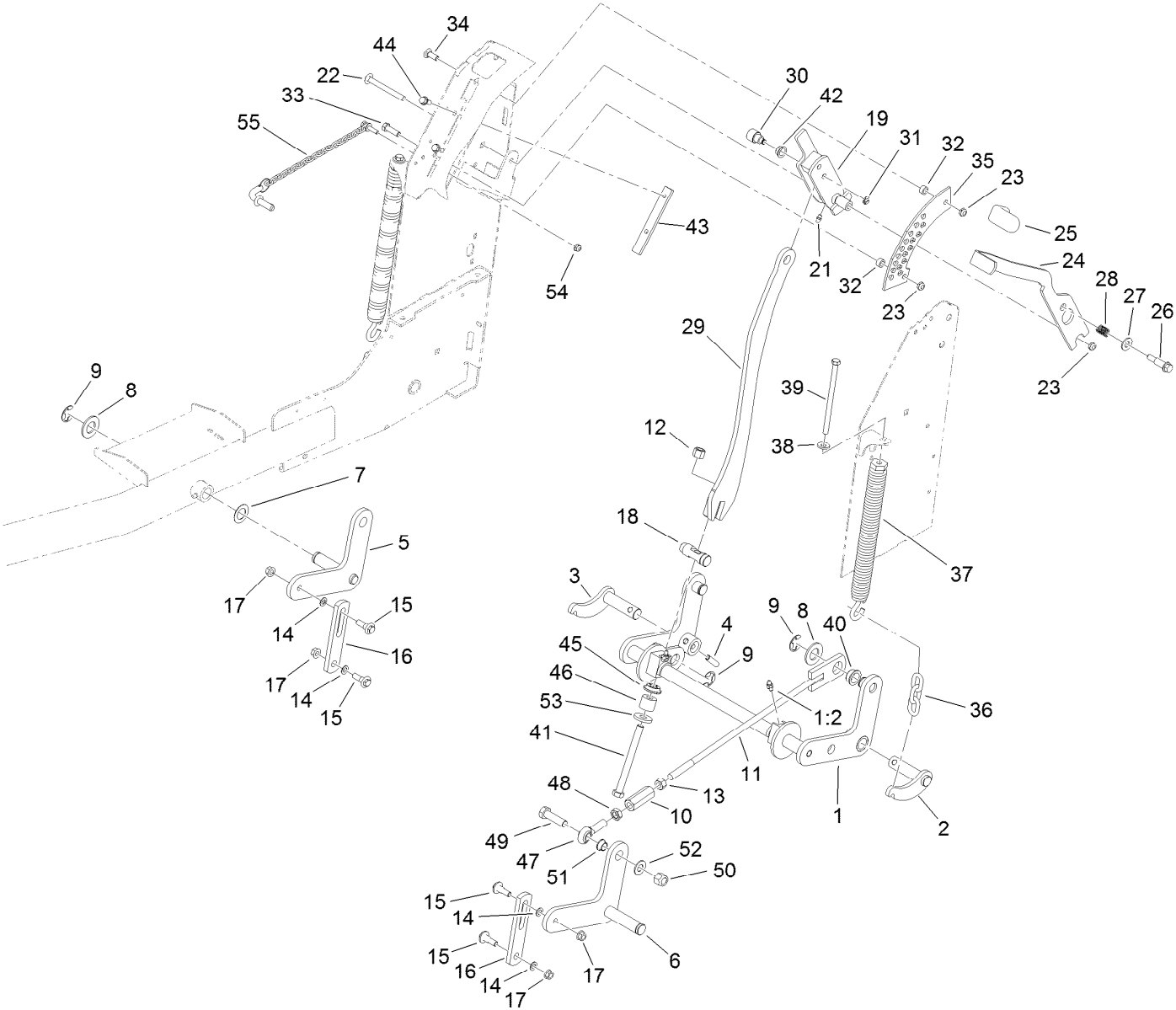
# Parking Brake Assembly



## Parking Brake Assembly (continued)

<i>Ref.</i>	<i>Part Number</i>	<i>Qty.</i>	<i>Description</i>	<i>Ref.</i>	<i>Part Number</i>	<i>Qty.</i>	<i>Description</i>
1	119-8730-03	1	Bar-Brake	16	117-5759-03	1	Lever-Brake
2	114-5186-01	2	Support-Brake	17	1-633268	1	Grip-Lever
3	614672	1	Bolt-Shoulder	18	3256-24	2	Washer-Flat
4	5-0652	1	Spacer	19	1-633131	1	Yoke-Linkage, Brake
5	104-8301	3	Nut-Flange, NI	20	119-7244	1	Rod-Brake
6	117-9684	1	Spacer	21	3220-3	3	Nut-HJ
7	323-20	1	Screw-HH	22	283-2	2	Pin-Clevis
8	117-9683	1	Spacer	23	3290-307	2	Pin-Hair
9	117-9682	1	Spring-Torsion	24	119-8780-03	1	Arm-Brake
10	1-373034	1	Washer	25	1-303007	1	Washer
11	117-0452-03	1	Plate-Switch, Brake	26	106-5335	1	Washer-Wave
12	3231-44	1	Screw-CARR	27	98-5975	1	Washer-Belleville
13	63-7400	1	Washer-Rebound	28	3296-6	1	Nut-Lock
14	106-3214	1	Mount-Pulley				

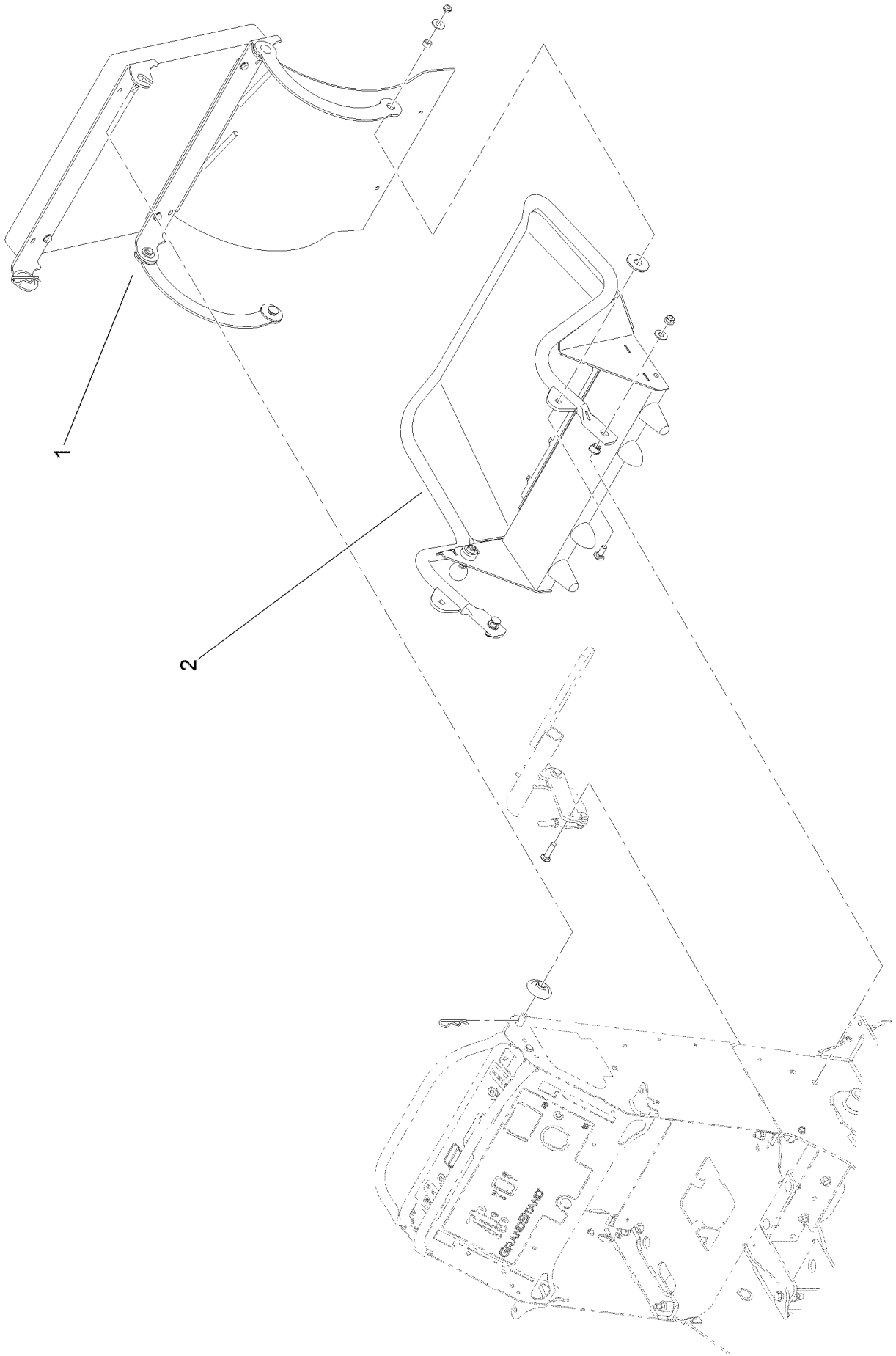
# Decklift Assembly



## Decklift Assembly (continued)

<i>Ref.</i>	<i>Part Number</i>	<i>Qty.</i>	<i>Description</i>	<i>Ref.</i>	<i>Part Number</i>	<i>Qty.</i>	<i>Description</i>
1	116-3103	1	Rear Crossshaft ASM	29	116-2939	1	Bar-Lift
1:2	302-11	2	Fitting-Lube, 45 DEG	30	116-3048	1	Hub-Pivot
2	116-3104-01	1	Shaft-Pivot, LH	31	32151-47	1	Ring-Retaining
3	116-3105-01	1	Shaft-Pivot, RH	32	111044	2	Spacer
4	116-3107	2	Pin-Spiral	33	323-7	1	Screw-HH
5	121-5999-01	1	RH Lift Arm ASM	34	3231-22	1	Screw-CARR
6	121-5998-01	1	LH Lift Arm ASM	35	114-5307	1	Bracket-HOC
7	110-6767	2	Washer-Thrust	36	103-9859	2	Chain-Decklift
8	3256-29	4	Washer-Flat	37	116-0886	2	Extension Spring ASM
9	32151-103	5	Ring-Retaining, EXT	38	98-5975	2	Washer-Belleville
10	119-7250	2	Link-Lift	39	323-58	2	Bolt-TAP, HH
11	119-7306	2	Lift Rod ASM	40	116-2909	2	Bearing-Flange
12	3296-23	1	Nut-Lock, NI	41	325-22	1	Screw-HH
13	3217-9	2	Nut-HH	42	116-3047	1	Bearing-Flange
14	40-1940	4	Washer	43	116-3124	1	Skid-Handle, Lift
15	109-9840	4	Screw-Shoulder, HHF	44	32144-70	2	Screw-HWHTF
16	117-0519	2	Link-Lift	45	116-3625	1	Seat-Spring
17	32128-21	4	Nut-HF	46	116-3241	1	Spring-Urethane
18	114-5274	1	Pin-HOC	47	117-5291	2	Balljoint-Spherical
19	114-3512	1	HOC Handle ASM	48	117-5293	2	Nut-Jam
21	302-5	1	Fitting-Grease	49	327-22	2	Screw-HH
22	3231-24	1	Screw-CARR	50	3296-53	2	Nut-Lock, NI
23	3296-59	3	Nut-Lock, NI	51	80-1290	2	Bushing
24	114-1878-03	1	Lever-HOC	52	3256-27	2	Washer-Flat
25	1-633268	1	Grip-Lever	53	92-2651	1	Washer
26	66-0561	1	Screw-Shoulder	54	104-7201	1	Nut-HF
27	3256-26	1	Washer-Flat	55	114-0409	1	HOC Pin ASM
28	65-9940	1	Spring				

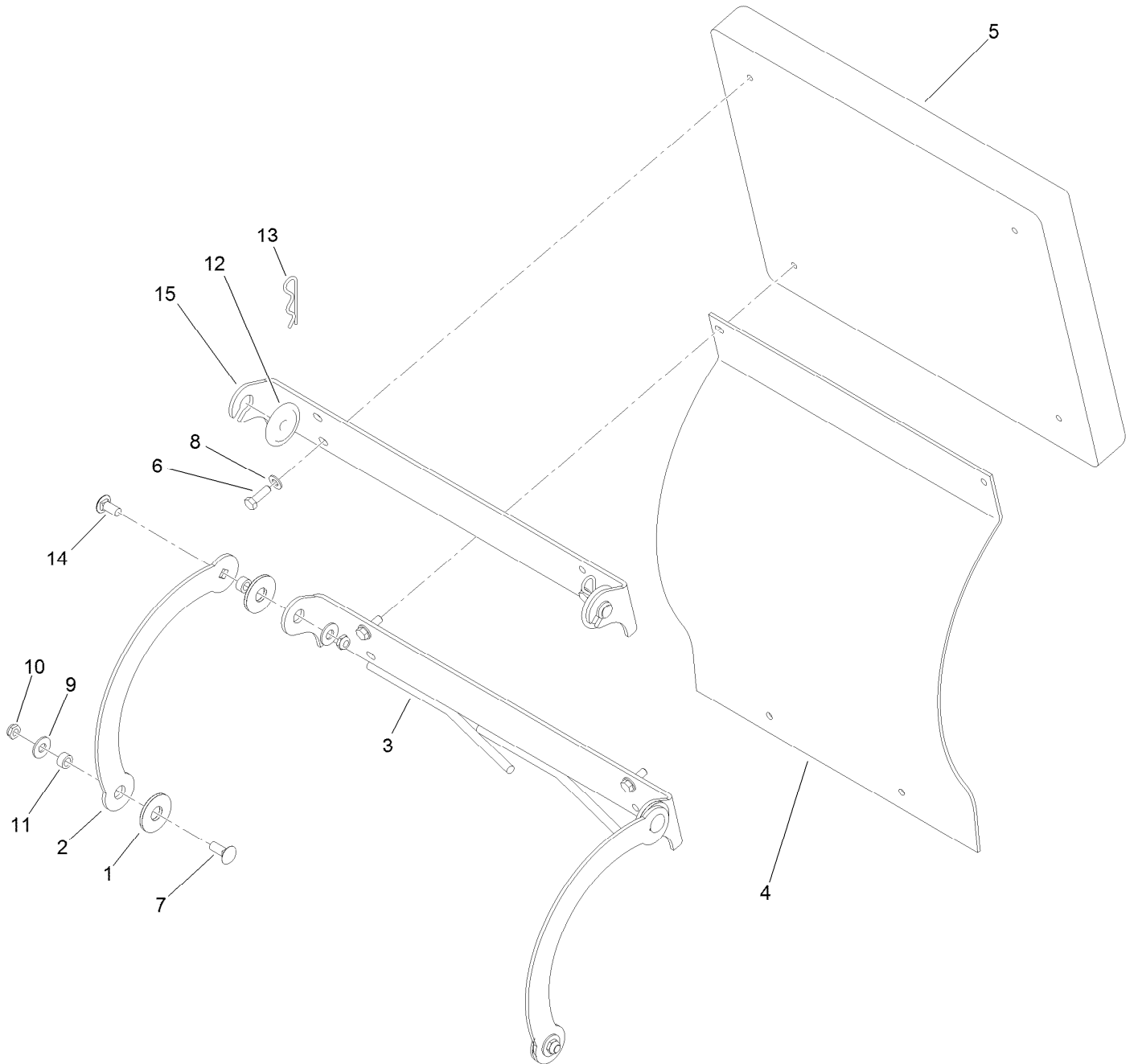
# Cushion and Platform Assembly



## Cushion and Platform Assembly (continued)

<i>Ref.</i>	<i>Part Number</i>	<i>Qty.</i>	<i>Description</i>
1	119-8742	1	Cushion ASM
2	117-9640	1	Platform ASM

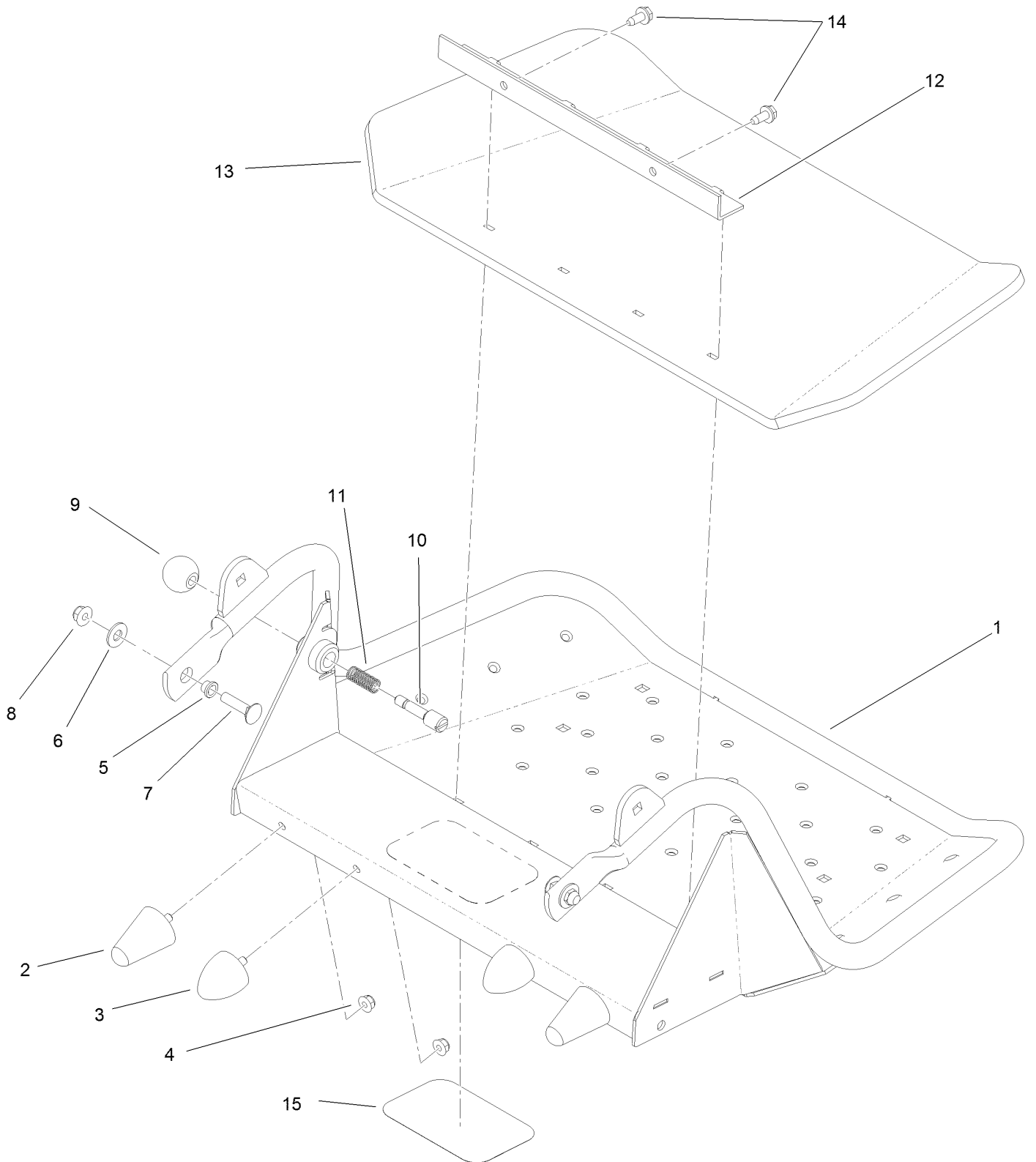
# Cushion Assembly No. 119-8742



## Cushion Assembly No. 119-8742 (continued)

<i>Ref.</i>	<i>Part Number</i>	<i>Qty.</i>	<i>Description</i>	<i>Ref.</i>	<i>Part Number</i>	<i>Qty.</i>	<i>Description</i>
1	114-0463	4	Washer-Friction, Composite	9	3256-4	4	Washer-Flat
2	114-1915-01	2	Link-Pad	10	3296-59	4	Nut-Lock, NI
3	119-7369-03	1	Hinge-Lower	11	111044	4	Spacer
4	114-1919	1	Shield-Rear	12	116-2886	2	Slide-Bushing
5	117-9739	1	Pad-Cushion	13	3290-355	2	Pin-Hair
6	121-7999	4	Screw-HH	14	3231-27	2	Screw-CARR
7	3231-2	2	Bolt-CARR	15	116-2757-03	1	Hinge-Pad
8	3256-23	4	Washer-Flat				

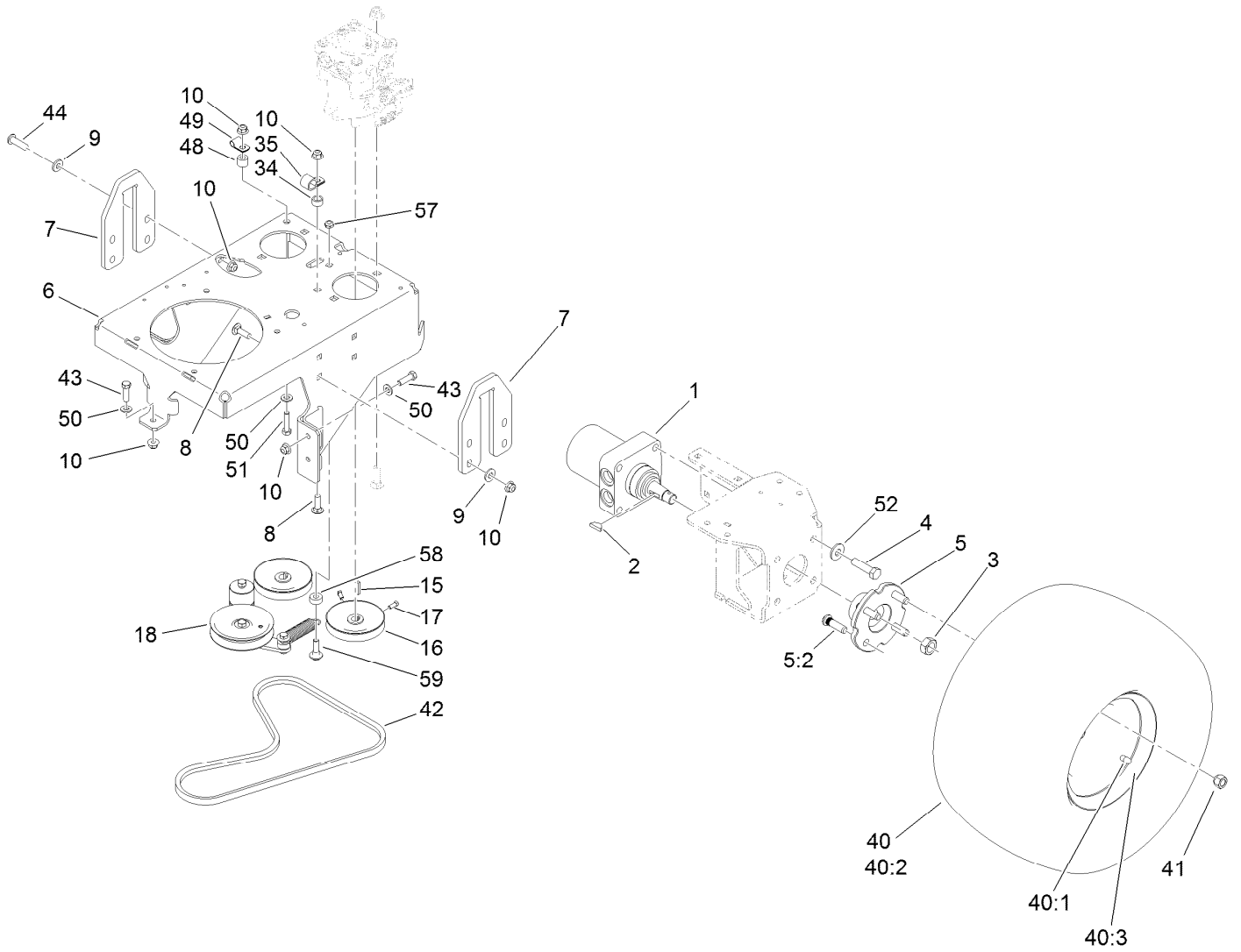
# Platform Assembly No. 117-9640



## Platform Assembly No. 117-9640 (continued)

<i>Ref.</i>	<i>Part Number</i>	<i>Qty.</i>	<i>Description</i>	<i>Ref.</i>	<i>Part Number</i>	<i>Qty.</i>	<i>Description</i>
1	117-9641-01	1	Platform	9	1-603175	1	Knob-Ball
2	114-1925	2	Bumper-Rubber	10	119-8650	1	Pin-Latch
3	114-1926	2	Bumper-Rubber	11	114-5348	1	Spring
4	104-8300	4	Nut-Flange, NI	12	114-1920-03	1	Clamp-Shield
5	109-8788	2	Bushing-Flanged	13	114-5349	1	Mat-Foot
6	3256-4	2	Washer-Flat	14	32144-70	2	Screw-HWHTF
7	3231-4	2	Screw-CARR	15	68-3640	1	Decal
8	104-8301	2	Nut-Flange, NI				

# Ground Drive Assembly



## Ground Drive Assembly (continued)

<i>Ref.</i>	<i>Part Number</i>	<i>Qty.</i>	<i>Description</i>	<i>Ref.</i>	<i>Part Number</i>	<i>Qty.</i>	<i>Description</i>
1	114-0549	2	HYD Motor ASM	40	120-6465	2	Wheel/Tire ASM
2	3257-8	2	Key-Woodruff	40:1	116-4605	1	Rim-8 Inch
3	85-7310	2	Nut-Motor, Wheel	40:2	120-6466	1	Tire
4	325-8	8	Screw-HH	40:3	232-27	1	Stem-Valve
5	105-0800	2	Wheel Hub ASM	41	242-50	8	Nut-Lug
5:2	10-6830	4	Stud-Type, Drive	42	114567	1	Belt-V, Lower PTO
6	120-6456-01	1	Base-Engine	43	3234-42	5	Screw-HHF
7	119-8662	2	Plate-Lift	44	3274-63	1	Screw-HSBH
8	3231-25	8	Bolt-CARR	48	121-1760	1	Spacer
9	98-5975	8	Washer-Belleville	49	116-3362	1	Clip-Tube
10	104-8301	15	Nut-Flange, NI	50	3256-24	1	Washer-Flat
15	1-807272	2	Key	51	323-8	1	Screw-HH
16	105-5648	2	Pulley-Pump	52	1-513435	8	Washer-Spring
17	3241-5	4	Screw-Set	57	3296-59	1	Nut-Lock, NI
18		1	Pump Idler ASM ●	58	104-8426	1	Spacer
34	1-653069	1	Spacer-Wheel	59	614672	1	Bolt-Shoulder
35	1-633396	1	Clip-Loom				

● Not serviced separately

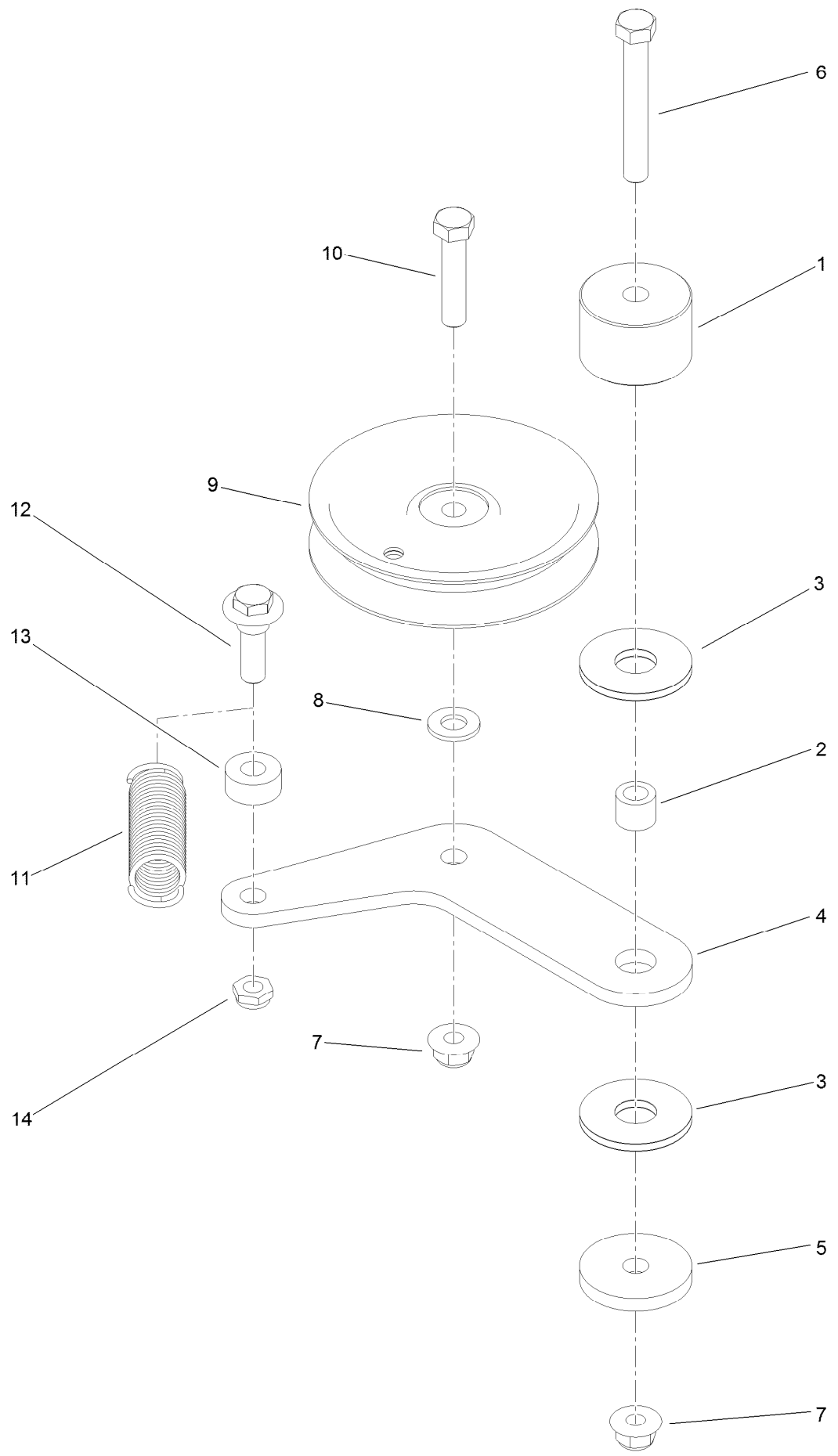


# Hydraulic Motor Assembly No. 114-0549 (continued)

<i>Ref.</i>	<i>Part Number</i>	<i>Qty.</i>	<i>Description</i>	<i>Ref.</i>	<i>Part Number</i>	<i>Qty.</i>	<i>Description</i>
1	1-000119	1	Seal Kit	1:7		1	Seal-Dirt And Water ●
1:1		1	Ring-Back Up ●	2	3257-8	1	Key-Woodruff
1:2		1	Seal-Commutator ●	3	85-7310	1	Nut-Motor, Wheel
1:3		1	Seal-Shaft (Viton) ●	4	106-5549	6	Bolt-Special
1:4		1	Washer-Back Up, Steel ●	5	106-8764	1	Shaft-Coupling
1:5		5	Ring-Seal (Viton) ●				

● Not serviced separately

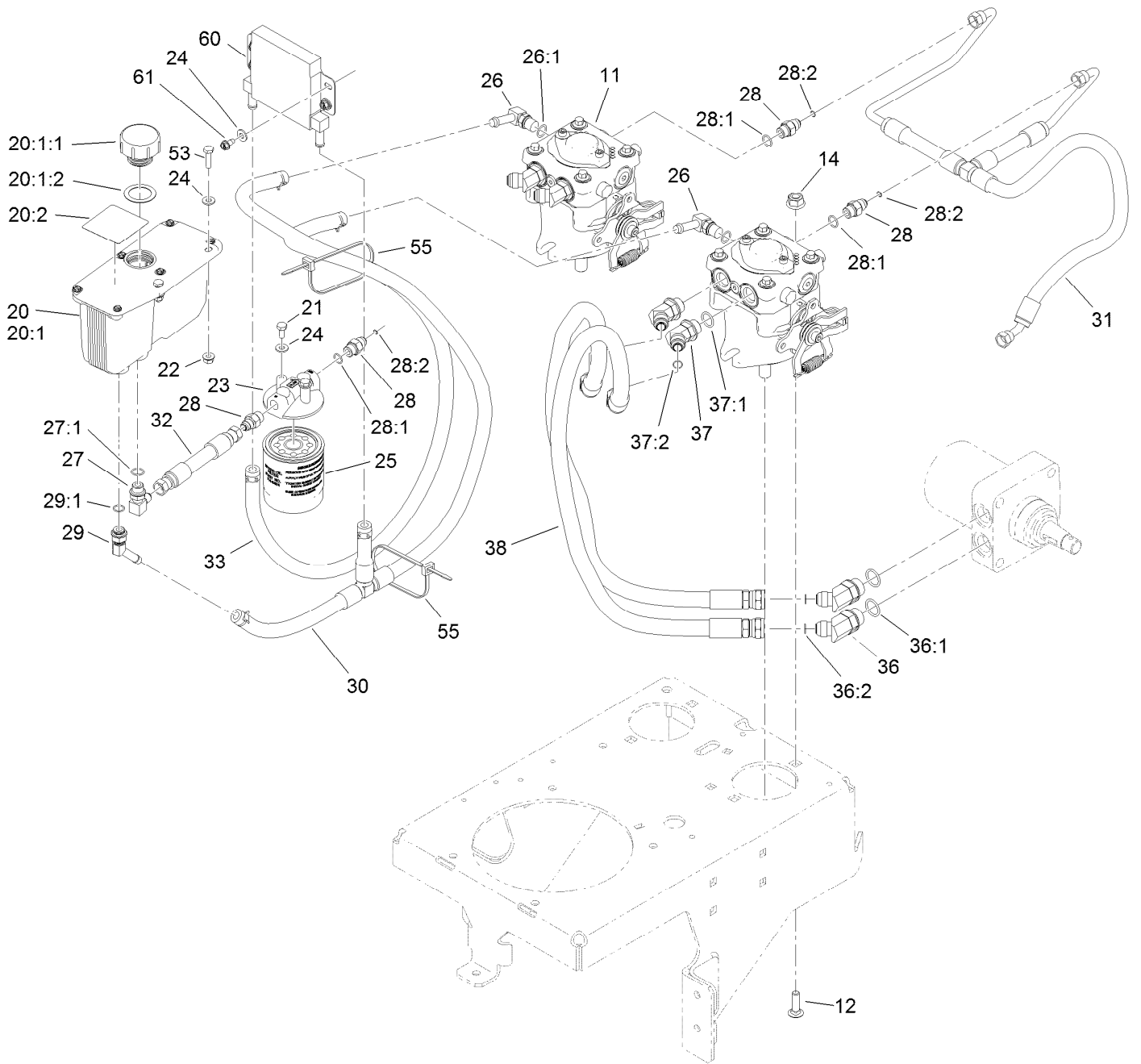
# Pump Idler Assembly



## Pump Idler Assembly (continued)

<i>Ref.</i>	<i>Part Number</i>	<i>Qty.</i>	<i>Description</i>	<i>Ref.</i>	<i>Part Number</i>	<i>Qty.</i>	<i>Description</i>
1	116-7599	1	Hub, Idler	8	3256-24	1	Washer-Flat
2	1-413088	1	Bushing-Lever, Lift	9	93-1622	1	Pulley-Idler
3	114-0463	2	Washer-Friction, Composite	10	323-9	1	Screw-HH
4	119-8737	1	Plate-Idler	11	108-4056	1	Spring-Extension
5	110-9981	1	Washer-Plain	12	614672	1	Bolt-Shoulder
6	323-13	1	Screw-HH	13	104-8426	1	Spacer
7	104-8301	2	Nut-Flange, NI	14	3296-59	1	Nut-Lock, NI

# Hydraulic System Assembly

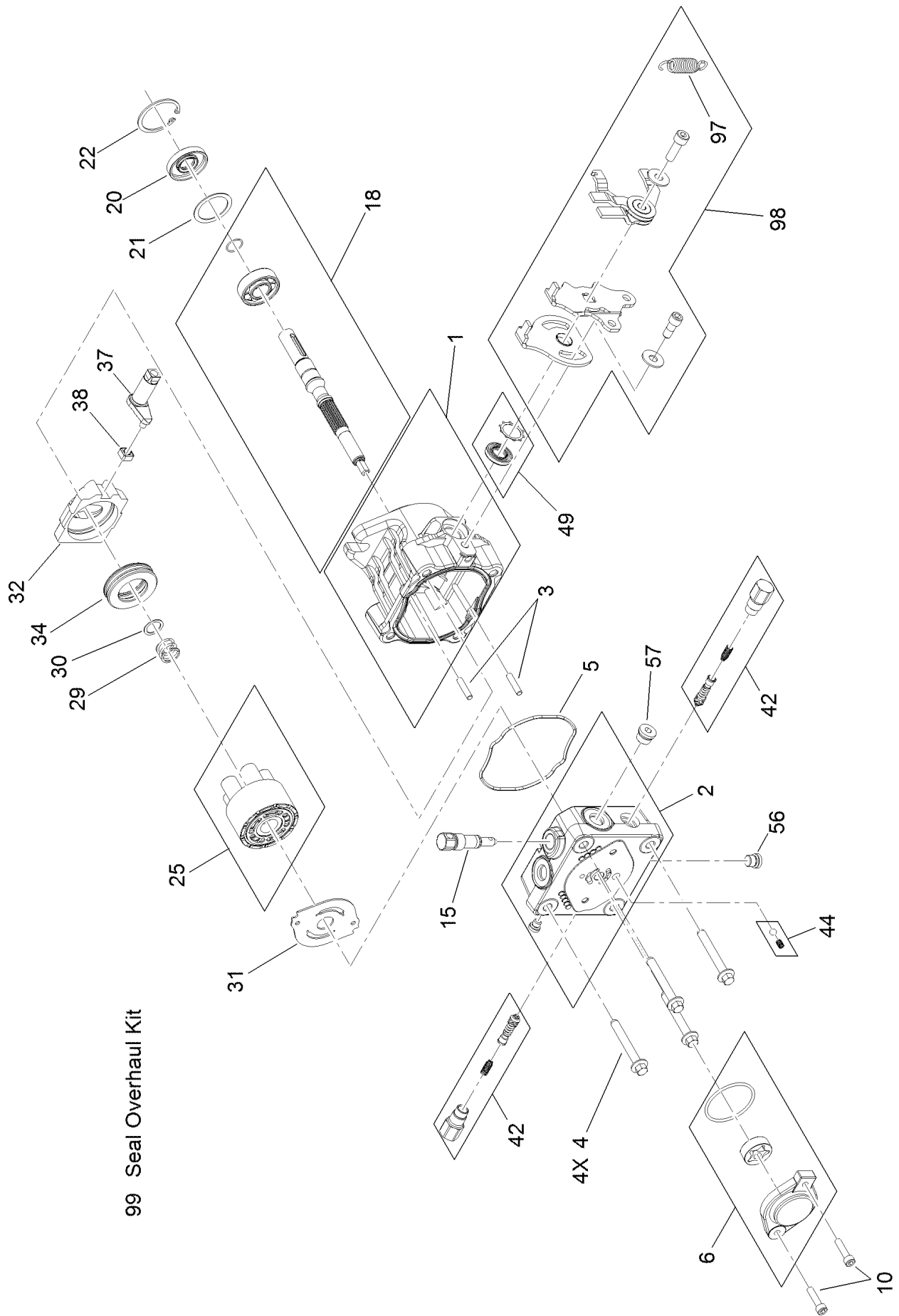


## Hydraulic System Assembly (continued)

<i>Ref.</i>	<i>Part Number</i>	<i>Qty.</i>	<i>Description</i>	<i>Ref.</i>	<i>Part Number</i>	<i>Qty.</i>	<i>Description</i>
11	125-4672	2	Hydraulic Pump ASM	28:2	103-1020	1	O-Ring
12	3232-3	4	Bolt-CARR	29	103-1807	1	Fitting-Barbed, 45 DEG
14	114-8417	4	Nut-HF, NI	29:1	237-42	1	O-Ring
20	107-8433	1	HYD Reservoir ASM	30	121-5981	1	Case Drain Hose ASM
20:1		1	Reservoir-HYD ●	31	121-5968	1	Charge Hose ASM
20:1:1	103-1948	1	Cap-Reservoir, HYD	32	121-5983	1	HYD Hose ASM
20:1:2	103-1949	1	Gasket-Cap	33	121-5982	1	Case Drain Hose ASM
20:2	115-4212	1	Decal-Warning	36	1-523222	4	Fitting-HYD, 45 DEG
21	321-3	2	Screw-HH	36:1	1-603919	1	O-Ring
22	32128-32	2	Nut-HHF	36:2	1-603992	1	O-Ring
23	104-7836	1	Head-Filter	37	1-523221	4	Fitting-HYD, 45 DEG
24	3256-22	8	Washer-Flat	37:1	1-603920	1	O-Ring
25	114-3494	1	Element-Filter, 25 Micron	37:2	1-603992	1	O-Ring
26	100-4887	2	Fitting-Barbed, 90 DEG	38	116-6902	4	HYD Hose ASM
26:1	237-42	1	O-Ring	53	321-6	2	Screw-HH
27	103-1802	1	Fitting-HYD, 90 DEG	55	3290-378	2	Tie-Cable
27:1	1-603921	1	O-Ring	60	116-7205	1	Cooler-Oil
28	103-2156	4	Fitting-Straight	61	32104-17	4	Screw-HWH
28:1	1-603921	1	O-Ring				

● Not serviced separately

# Hydraulic Pump Assembly No. 125-4672

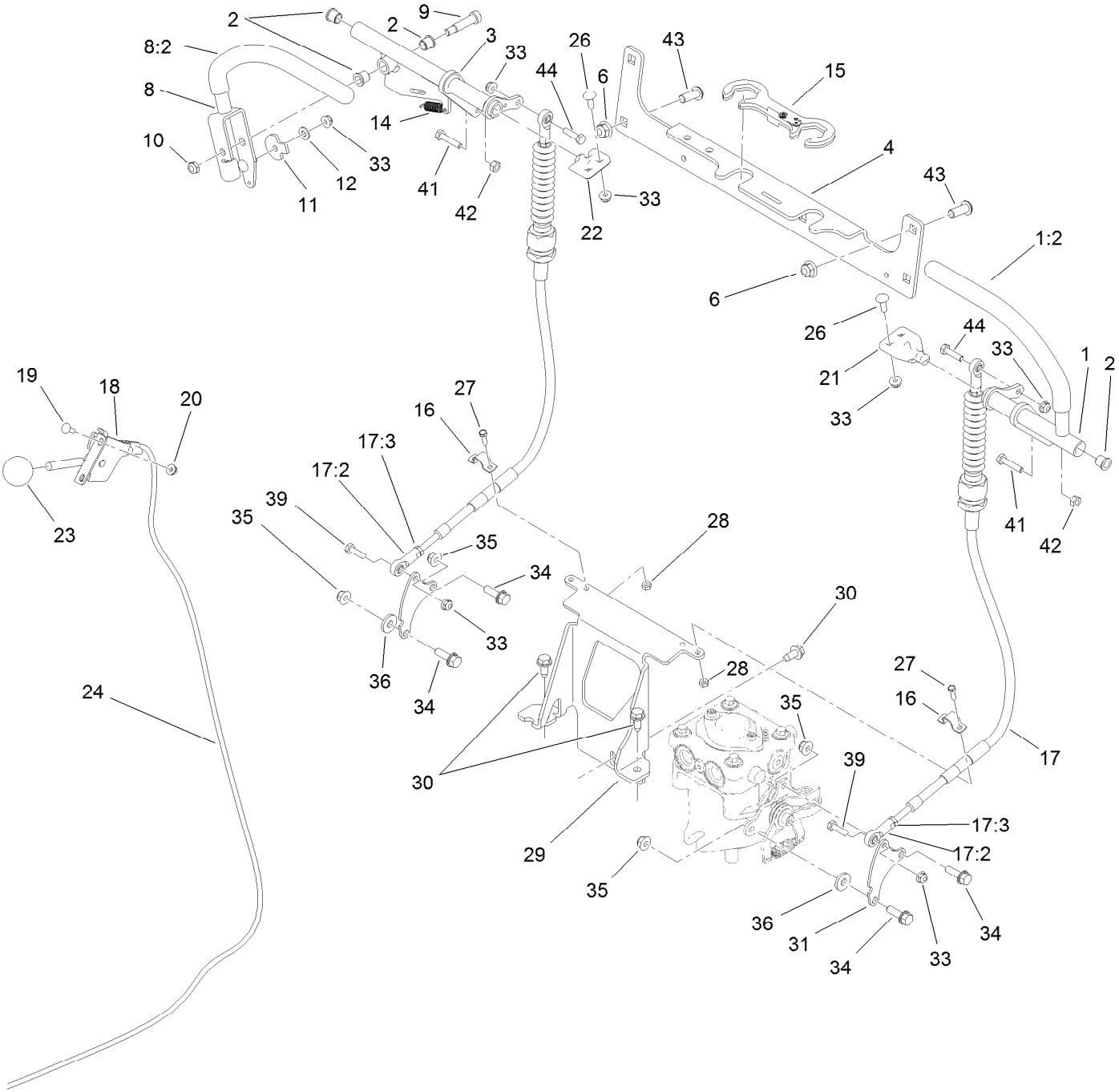


99 Seal Overhaul Kit

## Hydraulic Pump Assembly No. 125-4672 (continued)

<i>Ref.</i>	<i>Part Number</i>	<i>Qty.</i>	<i>Description</i>	<i>Ref.</i>	<i>Part Number</i>	<i>Qty.</i>	<i>Description</i>
1	115-4464	1	Housing Kit	31	105-6185	1	Plate-Valve
2	106-8752	1	End Cap Kit (W/Poppets)	32	94-1907	1	Swashplate-Variable
3	106-8753	2	Pin-Headless, Straight	34	94-6922	1	Bearing-Thrust
4	106-8754	4	Bolt-HF	37	115-4458	1	Arm-Trunnion, Tapered Square
5	125-4682	1	O-Ring	38	94-1910	1	Guide-Slot
6	106-8756	1	Charge Pump Kit	42	125-4683	2	Shock Valve Kit
10	104-2111	2	Capscrew	44	112-4164	1	Charge Relief Kit
15	106-8759	1	Bypass Valve Kit	49	106-8761	1	Trunnion Seal / Retainer Kit
18	103-2664	1	Input Shaft Kit	56	106-8762	1	Plug-HSH
20	104-5310	1	Seal-Lip	57	104-2189	1	Plug-Thread, Straight
21	104-5308	1	Spacer	97	125-4684	1	Spring-Extension
22	104-5309	1	Ring-Retaining	98	115-4046	1	Return Kit
25	103-2666	1	Cylinder Block Kit	99	105-6184	1	Seal Overhaul Kit
29	94-1936	1	Spring-Block				
30	94-1937	1	Washer-Thrust				

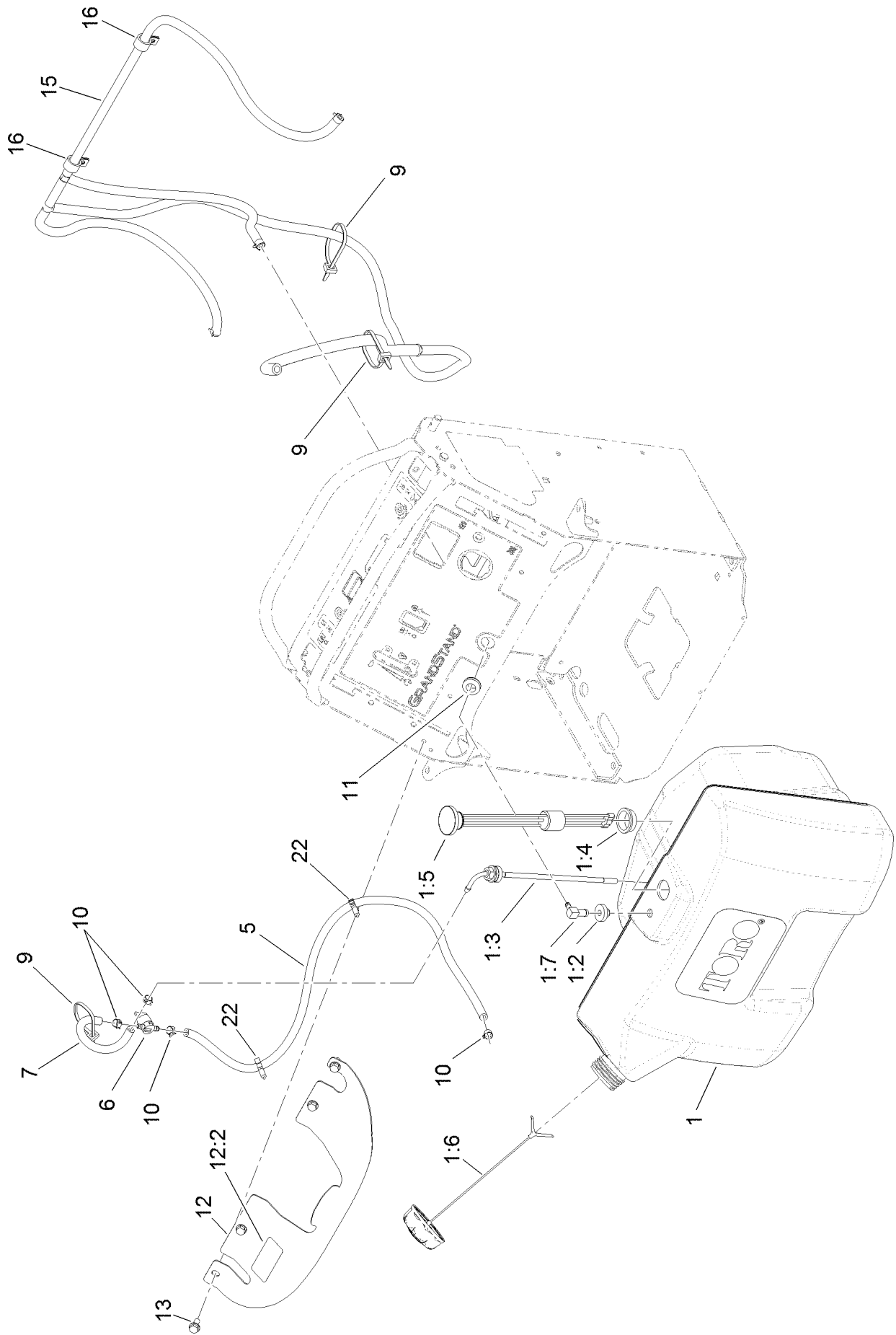
# Control Assembly



## Control Assembly (continued)

<i>Ref.</i>	<i>Part Number</i>	<i>Qty.</i>	<i>Description</i>	<i>Ref.</i>	<i>Part Number</i>	<i>Qty.</i>	<i>Description</i>
1	121-7993	1	Lever-LH	20	32128-17	2	Nut-Lock, Flange
1:2	119-0222	1	Grip	21	120-3288	1	Tab-Pivot, LH
2	103-9928	4	Bearing	22	120-3287	1	Tab-Pivot, RH
3	121-7992	1	Control-Motion, RH	23	1-603175	1	Knob-Ball
4	119-7359-01	1	Bracket-Cross	24	119-6654	1	Cable-Throttle
6	104-8301	4	Nut-Flange, NI	26	3229-1	4	Bolt-CARR
8	119-1887	1	Lever-Motion, RH	27	3290-134	4	Screw
8:2	119-0222	1	Grip	28	3296-2	4	Nut-Lock, NI
9	114-0239	1	Screw-HSH	29	119-8746-01	1	Bracket-Mount, Cable
10	3296-47	1	Nut-Lock, NI	30	32144-70	3	Screw-HWHTF
11	114-0268	1	Cam-Lever	31	121-5967	2	Plate-Control, Pump
12	3256-22	1	Washer-Flat	33	104-7201	9	Nut-HF
14	114-0249	1	Spring-Extension	34	3234-29	4	Screw-HHF
15	120-8372	1	Lock-Cable	35	104-8300	4	Nut-Flange, NI
16	119-7370	2	Clamp	36	4-2390	2	Washer-Flat
17	119-7366	2	Cable ASM	39	321-5	2	Screw-HH
17:2	119-7379	2	Rod-Ball Joint	41	114-0282	2	Screw-HH
17:3	3220-1	3	Nut-Jam	42	3217-5	2	Nut-Hex
18	110-5547	1	Lever-Control	43	3274-94	4	Screw-HSBH
19	1-807533	2	Bolt-CARR	44	321-6	2	Screw-HH

# Fuel Tank Assembly

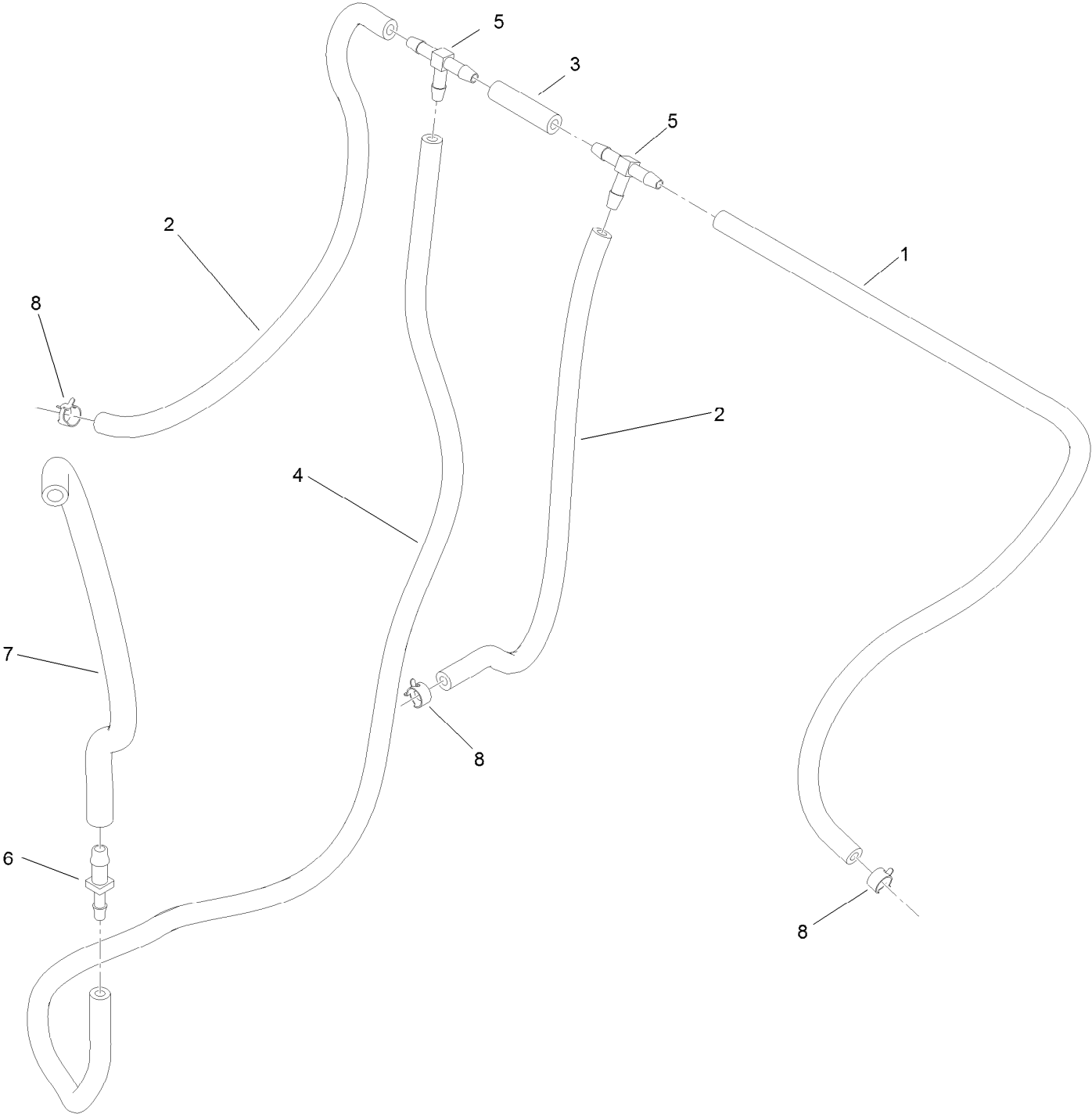


## Fuel Tank Assembly (continued)

<i>Ref.</i>	<i>Part Number</i>	<i>Qty.</i>	<i>Description</i>	<i>Ref.</i>	<i>Part Number</i>	<i>Qty.</i>	<i>Description</i>
1	119-7340	1	Tank ASM	9	3290-378	3	Tie-Cable
1:2	46-6560	3	Bushing	10	2412-98	4	Clamp-Hose
1:3	1-643172	3	Elbow-90 DEG	11	112-7069	2	Grommet
1:4	95-8972	1	Grommet	12	120-6462	1	Bracket-Tank
1:5	117-9719	1	Guage-Fuel	12:2	116-3290	1	Decal-Fill, Fuel
1:6	126-1789	1	Cap-Fuel, Ratcheting	13	32144-70	4	Screw-HWHTF
1:7	116-3408	1	Fitting-Fuel, Bulkhead	15		1	Vent Hose ASM ●
5	109-0273	1	Hose-Fuel	16	2412-87	2	Clamp-Cable
6	1-603770	1	Valve-Fuel	22	32180-040	2	Clip-Harness
7	109-0297	1	Hose-Fuel				

● Not serviced separately

# Vent Hose Assembly



## Vent Hose Assembly (continued)

<i>Ref.</i>	<i>Part Number</i>	<i>Qty.</i>	<i>Description</i>	<i>Ref.</i>	<i>Part Number</i>	<i>Qty.</i>	<i>Description</i>
1	109-3491	1	Hose-Fuel	5	99-5005	2	Fitting-Tee, Barbed
2	109-0299	2	Hose-Fuel	6	116-5072	1	Fitting-Straight
3	99-9415	1	Hose-Fuel	7	116-4344	1	Hose-Fuel
4	109-0289	1	Hose-Fuel	8	2412-98	3	Clamp-Hose

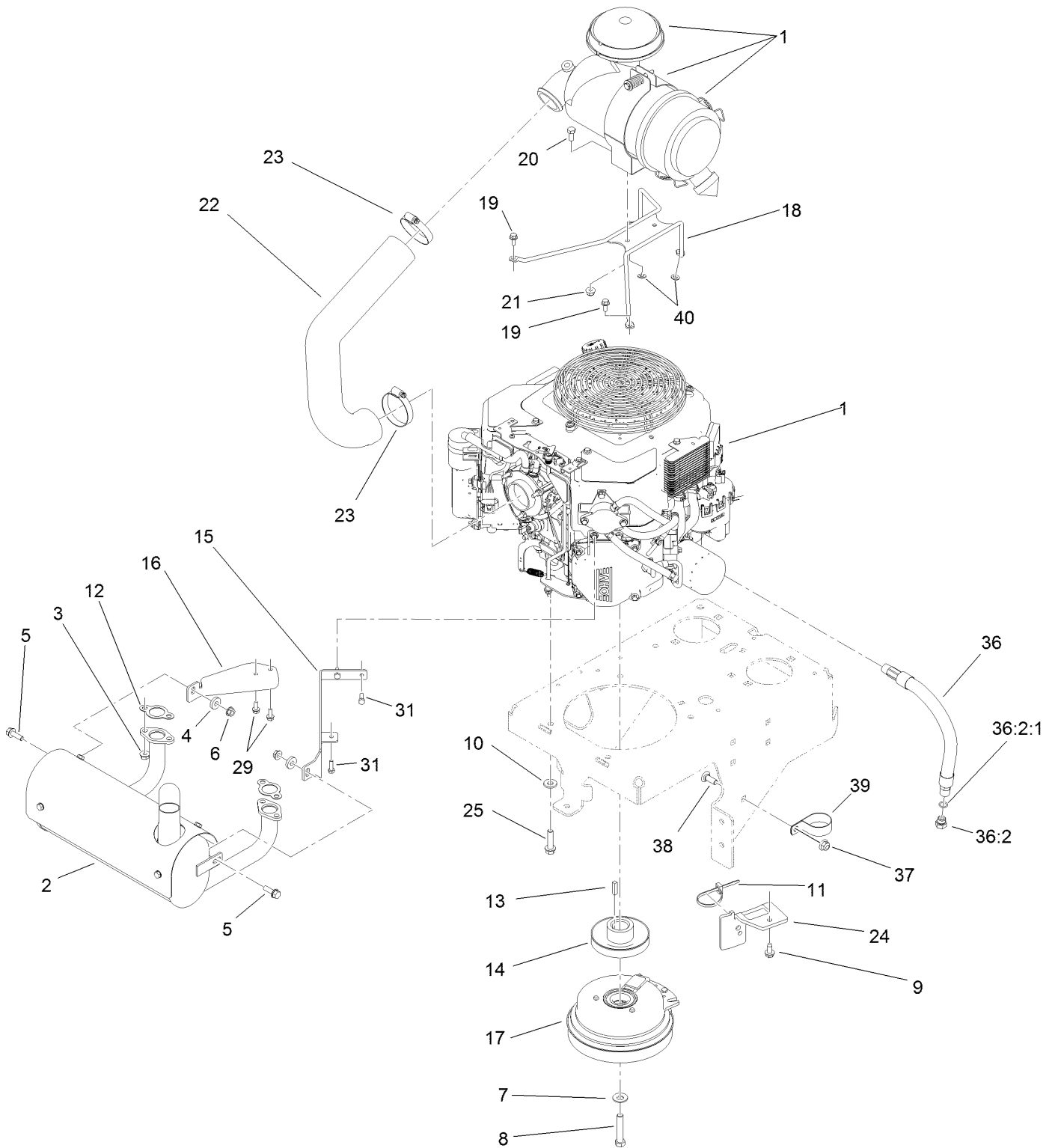


## Electrical Assembly (continued)

<i>Ref.</i>	<i>Part Number</i>	<i>Qty.</i>	<i>Description</i>	<i>Ref.</i>	<i>Part Number</i>	<i>Qty.</i>	<i>Description</i>
1	104-8162	1	Battery-Dry	24	109-5715	2	Nut-HHF, Smooth
2	117-0543-01	1	Cover-Battery	31	1-303287	8	Tie-Cable
3	1-633651	2	Bolt-Holddown	32	117-2781	1	Grommet
4	1-543792	2	Wingnut	33	68-3640	1	Decal
7	114-0279	1	Switch-PTO	34	63-8360	1	Key-Ignition (W/Shield)
8	117-2222	1	Switch-Ignition	35	119-8729	1	Harness-Wire, Neutral Switch
9	117-3886	1	Module-Hour Meter	36	105-0023	2	Switch-Proximity
10	1-513152	2	Switch-Closed, Normally	37	119-8503-01	2	Bracket-Mount, Switch
12	1-633181	2	Plate-Tapped	38	3296-2	5	Nut-Lock, NI
13	32105-13	4	Screw-HWH	39	32105-23	4	Screw
17	121-7509	1	Harness-Wire Efi	40	321-3	2	Screw-HH
17:1	109103	1	Fuse-Blade, 30 Amp	41	32128-32	4	Nut-HHF
17:2	109102	1	Fuse-Blade, 25 Amp	42	321-4	2	Screw-HH
17:3	218-578	1	Fuse-Blade, 10 Amp	43	1-643267	1	Indicator-Led, Red
17:4	116-0053	1	Cap-Plug ●	44	1-643275	1	Relay
17:5	103-3895	1	Diode-Tvs	45	3290-500	1	Screw-PPH
17:6	109355	1	Fuse-Blade, 15 Amp	47	3256-14	1	Washer-Flat
18	1-807533	2	Bolt-CARR	48	120-8389	1	Harness-Wire, Fan
19	3290-148	2	Nut-HF	49	116-7047	1	Fan-Electric
20	115-3864	1	Cable-Battery, Positive	50	46-0670	4	Screw-PPH
21	105-0836	1	Cable-Battery, Black	51	48-7990	4	Washer-Flat
22	322-3	2	Screw-HH	52	46-0430	4	Nut-Lock
23	3256-23	2	Washer-Flat				

● Not illustrated

# Engine Assembly



## Engine Assembly (continued)

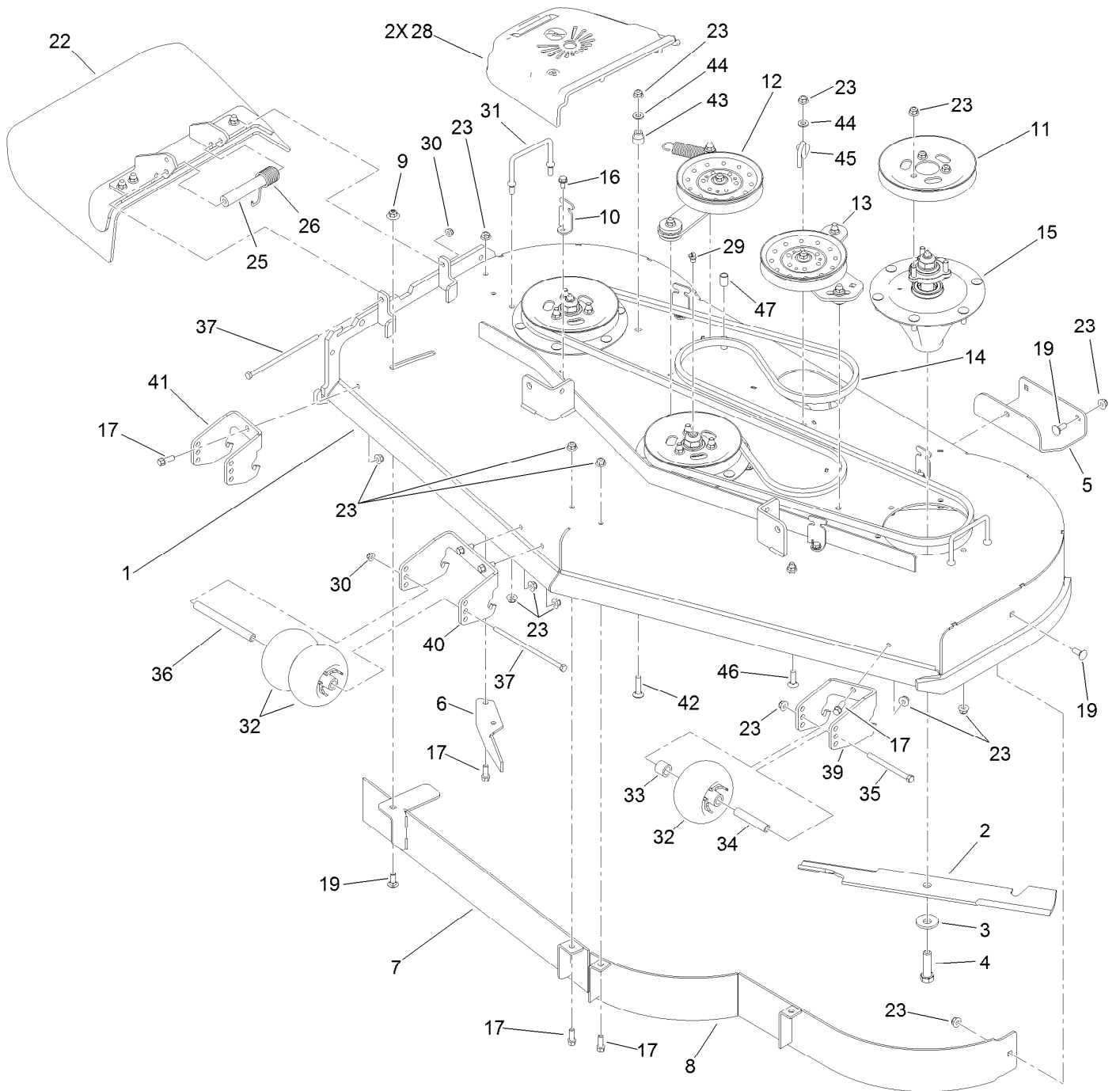
<i>Ref.</i>	<i>Part Number</i>	<i>Qty.</i>	<i>Description</i>	<i>Ref.</i>	<i>Part Number</i>	<i>Qty.</i>	<i>Description</i>
1		1	Engine-Kohler, Ps-Ecv740-3013 ●■	18	125-4660-03	1	Mount-Cleaner, Air
2	116-4092	1	Muffler	19	33103-016	2	Screw-HHF
3	68-9400	4	Nut-Flange	20	322-3	2	Screw-HH
4	104-7658	2	Spacer	21	104-8300	2	Nut-Flange, NI
5	3234-29	2	Screw-HHF	22	116-4047	1	Hose-Intake, Air
6	32128-25	2	Nut-HF	23	2412-42	2	Clamp-Hose
7	1-603610	1	Washer-Spring	24	116-3811-01	1	Bracket-Anchor, Clutch
8	3212-9	1	Screw-HH ▲	25	32144-102	4	Screw-HWH
9	32144-70	1	Screw-HWHTF	29	116-5722	2	Screw-HWHTF
10	98-5975	3	Washer-Belleville	31	116-4295	3	Screw-HH
11	3290-378	1	Tie-Cable	36	116-5108	1	Oil Drain Hose ASM
12	110-6697	2	Gasket-Exhaust	36:2	353-508	1	Plug-HH
13	1-807259	1	Key	36:2:1	237-42	1	O-Ring
14	116-3882	1	Pulley	37	104-8301	1	Nut-Flange, NI
15	116-4039	1	Bracket-Muffler, LH	38	3231-22	1	Screw-CARR
16	116-4038	1	Bracket-Muffler, RH	39	2412-147	1	Clamp
17	116-4172	1	Clutch	40	3256-23	2	Washer-Flat

● Not serviced separately

▲ Use Pro-Lock, Nut Type (P/N 1-840022, .5ml tube) on threads.

■ Obtain parts from [www.kohlerplus.com](http://www.kohlerplus.com)

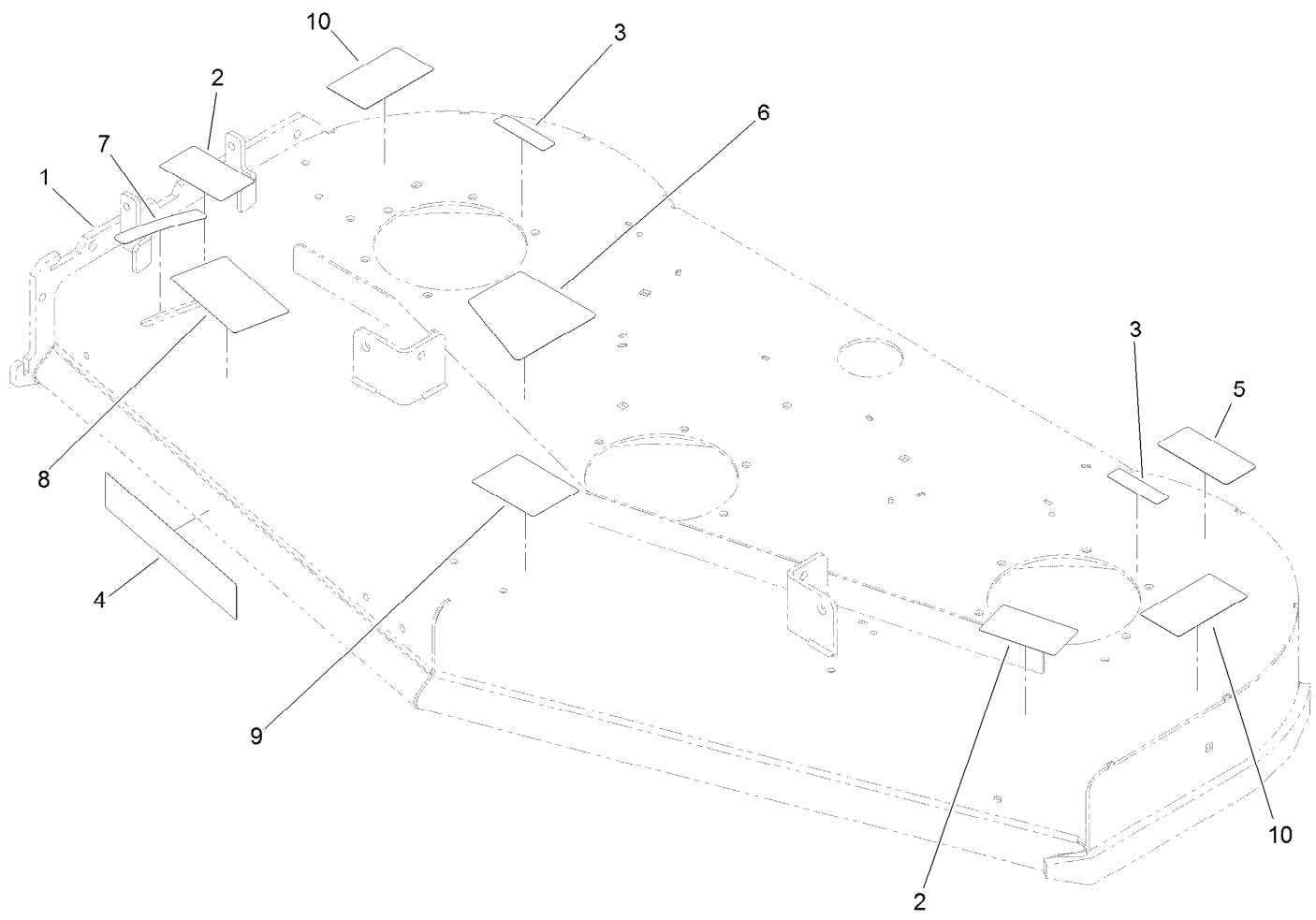
# Deck Assembly



## Deck Assembly (continued)

<i>Ref.</i>	<i>Part Number</i>	<i>Qty.</i>	<i>Description</i>	<i>Ref.</i>	<i>Part Number</i>	<i>Qty.</i>	<i>Description</i>
1	120-6414	1	Deck ASM	26	108-4052	1	Spring-Torsion
2	105-7718-03	3	Blade-Hi Flow	28	120-6423	2	Cover-Belt
3	103-0865	3	Washer-Blade Bolt, Heavy	29	302-33	1	Fitting-Grease
4	51-4060	3	Screw-Blade	30	104-8300	2	Nut-Flange, NI
5	114-1908-01	1	Skid	31	109-6982	2	Wireform-Cover
6	106-3216-01	1	Baffle-Discharge	32	1-603299	4	Roller-Scalp, Anti
7	121-1788-01	1	Baffle ASM	33	98-7913	2	Tube-Spacer
8	117-9701-01	1	Baffle ASM	34	98-7912	2	Tube-Spanner
9	109-6658	1	Nut-Flange, NI	35	323-23	2	Screw-HH
10	117-5758-03	4	Bracket-Cover	36	98-5967	1	Spacer-Wheel
11	120-6434	3	Pulley	37	322-50	2	Screw-HH
12	121-5970	1	RH Idler Arm ASM	39	114-5204-01	1	Bracket-Wheel, LH
13	121-5965	1	LH Idler Arm ASM	40	114-5208-01	1	Bracket-Wheel, Center
14	106-7369	1	Belt-V	41	114-5213-01	1	Bracket-Wheel, RH
15	119-8560	3	Spindle ASM	42	3231-5	1	Screw-CARR
16	32144-70	4	Screw-HWHTF	43	1-603496	1	Bushing-Idler
17	92-1624	9	Screw-HWH	44	3256-24	2	Washer-Flat
19	3231-2	5	Bolt-CARR	45	110-6975	1	Guide-Belt
22	120-2451	1	Deflector ASM	46	3231-28	1	Screw-CARR
23	104-8301	48	Nut-Flange, NI	47	121-7521	1	Bumper-Idler
25	105-4622	1	Spacer				

# Deck Decal Assembly No. 120-6414

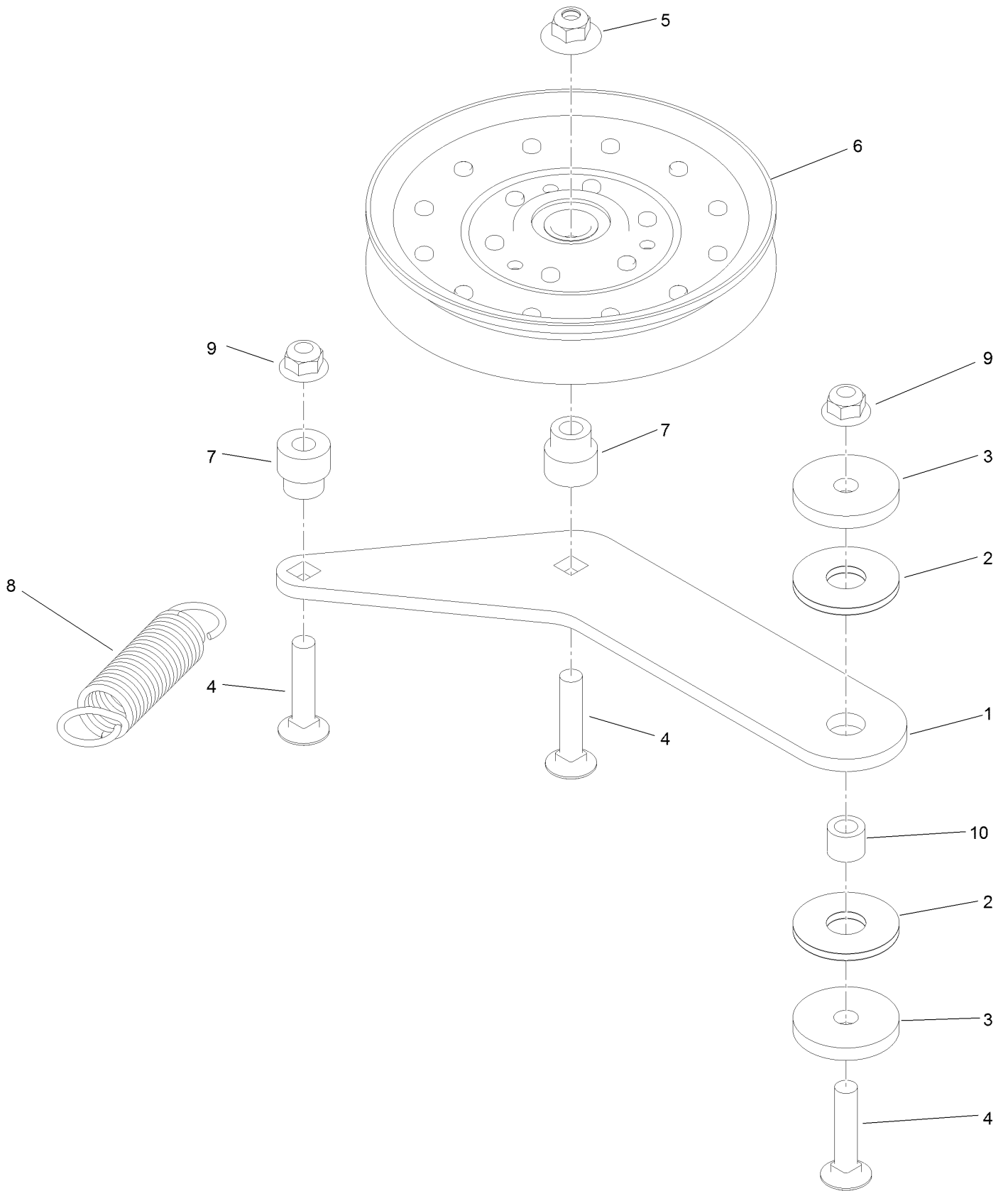


## Deck Decal Assembly No. 120-6414 (continued)

<i>Ref.</i>	<i>Part Number</i>	<i>Qty.</i>	<i>Description</i>	<i>Ref.</i>	<i>Part Number</i>	<i>Qty.</i>	<i>Description</i>
1		1	Deck ASM ●	7	110-2067	1	Decal-Setting, Baffle
2	121-6049	2	Decal-Danger	8	110-2068	1	Decal-Adjustment, Baffle
3	119-0217	2	Decal-Danger	9	112-3858	1	Decal-Anti Scalp
4	107-1619	1	Decal	10	120-6424	2	Decal-Danger, Rotating Parts
5	93-7818	1	Decal-Torque, Blade Bolt				
6	120-6412	1	Decal-Belt Tension, Ce				

● Not serviced separately

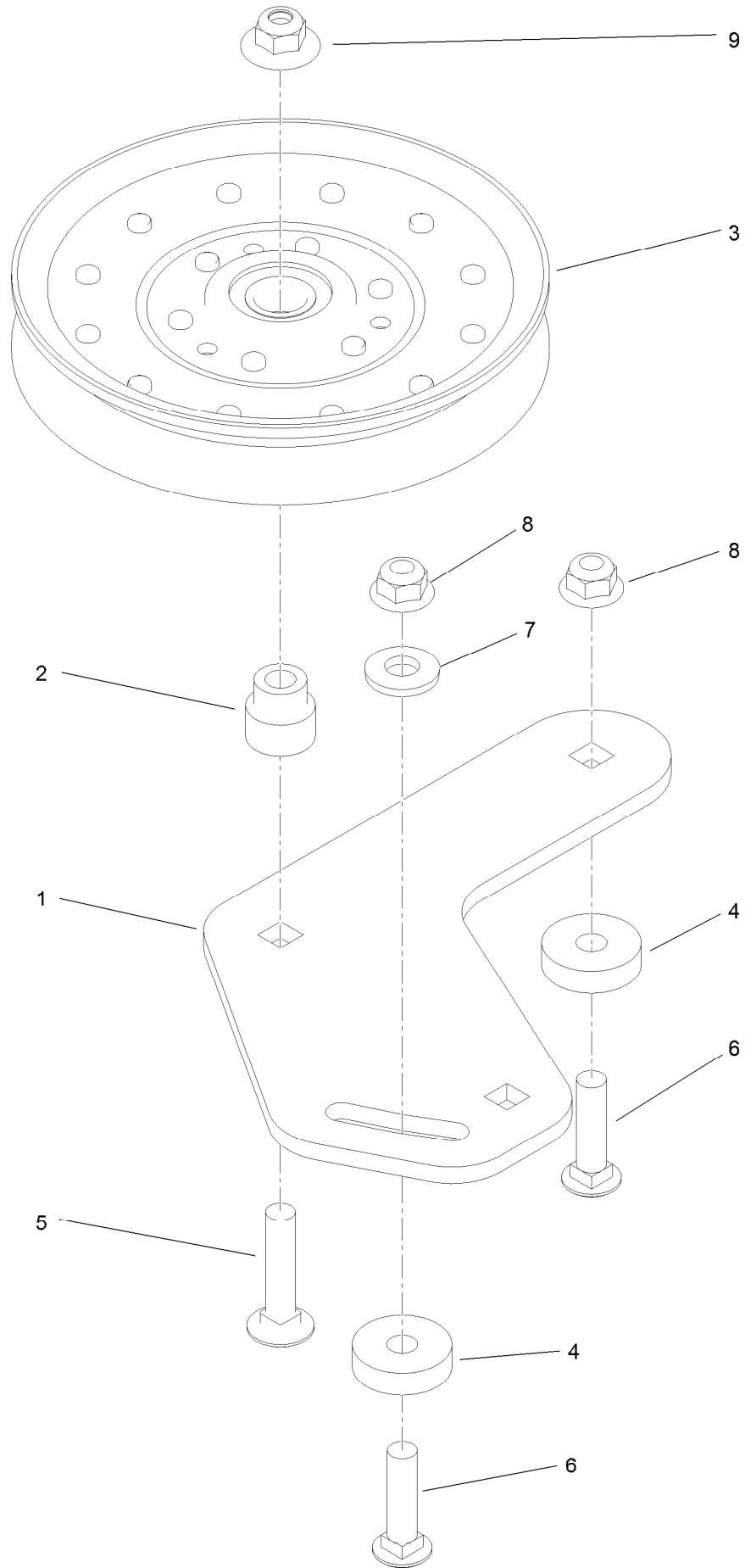
# Right Hand Idler Assembly No. 121-5970



## Right Hand Idler Assembly No. 121-5970 (continued)

<i>Ref.</i>	<i>Part Number</i>	<i>Qty.</i>	<i>Description</i>	<i>Ref.</i>	<i>Part Number</i>	<i>Qty.</i>	<i>Description</i>
1	121-5971	1	Arm-Idler, RH	6	116-4667	1	Idler-Pulley, Flat
2	114-0463	2	Washer-Friction, Composite	7	1-603496	2	Bushing-Idler
3	110-9981	2	Washer-Plain	8	1-603402	1	Spring-Extension
4	3231-5	3	Screw-CARR	9	104-8301	2	Nut-Flange, NI
5	109-6658	1	Nut-Flange, NI	10	1-413088	1	Bushing-Lever, Lift

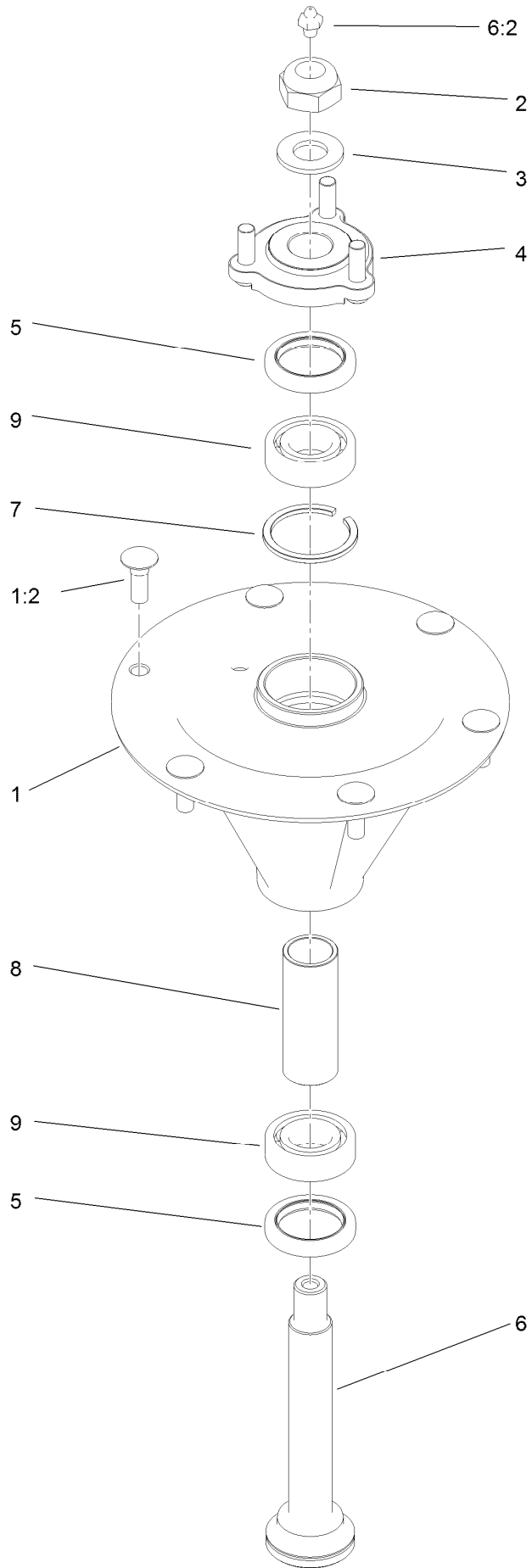
# Left Hand Idler Assembly No. 121-5965



## Left Hand Idler Assembly No. 121-5965 (continued)

<i>Ref.</i>	<i>Part Number</i>	<i>Qty.</i>	<i>Description</i>	<i>Ref.</i>	<i>Part Number</i>	<i>Qty.</i>	<i>Description</i>
1	121-5966-03	1	Arm-Idler, LH	6	3231-4	2	Screw-CARR
2	1-603496	1	Bushing-Idler	7	98-5975	1	Washer-Belleville
3	116-4667	1	Idler-Pulley, Flat	8	104-8301	2	Nut-Flange, NI
4	105-7788	2	Spacer	9	109-6658	1	Nut-Flange, NI
5	3231-5	1	Screw-CARR				

# Spindle Assembly No. 119-8560

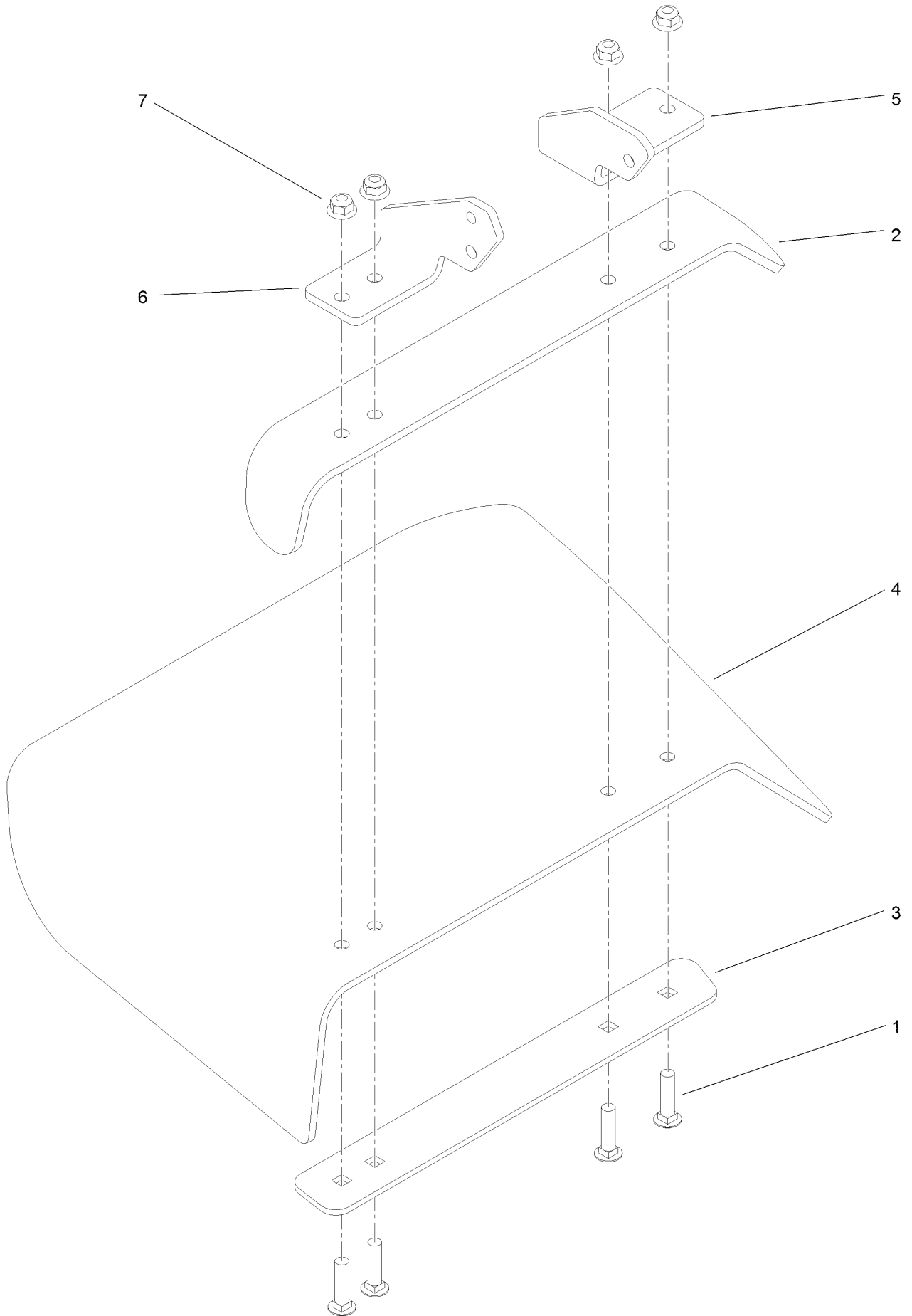


## Spindle Assembly No. 119-8560 (continued)

<i>Ref.</i>	<i>Part Number</i>	<i>Qty.</i>	<i>Description</i>	<i>Ref.</i>	<i>Part Number</i>	<i>Qty.</i>	<i>Description</i>
1		1	Spindle Housing And Studs ASM ●	5	253-133	2	Seal-Oil
1:2	114-8195	6	Bolt-Ribbed Neck	6	119-8527	1	Spindle Shaft And Zerk ASM
2	3296-67	1	Nut-Lock, NI	6:2	302-2	1	Fitting-Grease
3	92-5836	1	Washer	7	119-8532	1	Snap Ring
4	117-6172	1	Spindle Hub ASM	8	117-6184	1	Spacer
				9	119-8558	2	Bearing-Noseal

● Not serviced separately

# Deflector Assembly No. 120-2451



## Deflector Assembly No. 120-2451 (continued)

<i>Ref.</i>	<i>Part Number</i>	<i>Qty.</i>	<i>Description</i>	<i>Ref.</i>	<i>Part Number</i>	<i>Qty.</i>	<i>Description</i>
1	3231-4	4	Screw-CARR	5	108-4059-01	1	Plate-Hinge, Rear
2	106-3246-01	1	Deflector	6	106-3253-01	1	Plate-Hinge, Front
3	106-3248-03	1	Strap-Discharge	7	104-8301	4	Nut-Flange, NI
4	110-0759	1	Deflector-Rubber				

# Attachments and Accessories

## For 74583 GrandStand Mower With 60in TURBO FORCE Cutting Unit

<b>Product Name</b>	<b>Model/Part</b>
Blade-Mid Flow, 20.5in .....	105-7715-03
Blade-Lo Flow, 20.5in .....	105-7716-03
Blade-Hi Flow, 20.5in.....	105-7718-03
Blade-Recycler, 20.5in.....	105-7777-03
Blade-Atomic, 20.5in .....	105-8777-03
Turbo Baffle Kit .....	107-1634
6 Pack Blade, 20.5in Hi-Flow .....	108-1114
6 Pack-Blade, 20.5in Atomic.....	108-1115
6 Pack Blade, 20.5in Mid-Flow .....	108-1123
6 Pack-Blade, 20.5in Lo Flow .....	108-1128
6 Pack-Blade, 20.5in Recycler.....	110-0405
Weight-Cast.....	112-7059-01
Light Kit.....	114-3505
Striping Kit .....	114-3521
Hypr-Oil 500 (quart).....	114-4713
Hypr-Oil 500 (gallon).....	114-4714
Hypr-Oil 500-5 (5 gallon).....	114-4715
Recycler Kit .....	115-7468
Weight Kit .....	117-3620
Chute Gate Kit With Bag.....	119-7292
Speed Control Kit.....	119-7390
Trash Bag Kit.....	121-7530
Soft Bag (3 Bushel).....	30104
Spark Arrestor .....	98-9099

**Notes:**



**Count on it.**