



Tank Cleanse Rinse Kit

Multi Pro WM Turf Sprayer

Model No. 41241—Serial No. 314000001 and Up

Operator's Manual

Note: Determine the left and right sides of the machine from the normal operating position.

⚠ WARNING

CALIFORNIA Proposition 65 Warning

This product contains a chemical or chemicals known to the State of California to cause cancer, birth defects, or reproductive harm.

Use of this product may cause exposure to chemicals known to the State of California to cause cancer, birth defects, or other reproductive harm.

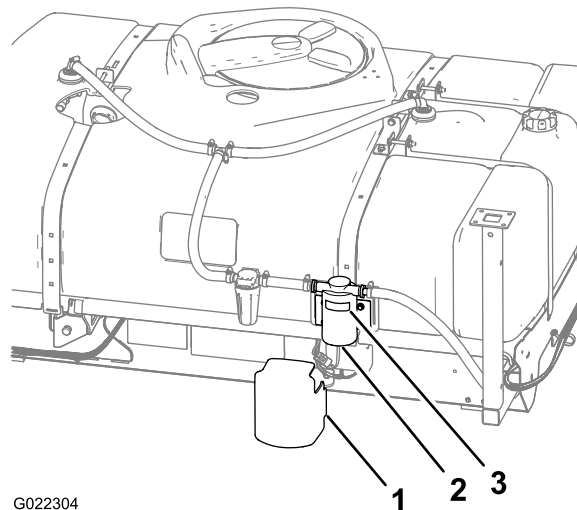
This kit is designed to remove residual chemicals from a sprayer tank and affected hoses. It is a dedicated attachment for a turf spray application vehicle and is intended to be used by professional, hired operators in commercial applications.

This product complies with all relevant European directives; for details, please see the separate product specific Declaration of Conformity (DOC) sheet.

Read this manual carefully to learn how to operate and maintain your product properly. The information in this manual can help you and others avoid injury and product damage. Although Toro designs and produces safe products, you are responsible for operating the product properly and safely.

You may contact Toro directly at www.Toro.com for product and accessory information, help finding a dealer, or to register your product.

Whenever you need service, genuine Toro parts, or additional information, contact an Authorized Service Dealer or Toro Customer Service and have the model and serial numbers of your product ready. Figure 1 illustrates the location of the model and serial numbers on the product.



G022304

Figure 1

- 1. Cover
- 2. Pump
- 3. Model and serial number plate

Model No. _____

Serial No. _____



Safety

Also read the safety and operation instructions in the vehicle *Operator's Manual*.

Chemical Safety

⚠ WARNING

Chemical substances used in the spray system may be hazardous and toxic to you, bystanders, animals, plants, soils or other property.

- Carefully read and follow the chemical warning labels and Material Safety Data Sheets (MSDS) for all chemicals used, and protect yourself according to the chemical manufacturer's recommendations. For example, use appropriate Personal Protective Equipment (PPE) including face and eye protection, gloves, or other equipment to guard against personal contact with the chemical.
- Keep in mind that there may be more than 1 chemical used, and information on each should be assessed.
- *Refuse to operate or work on the sprayer if this information is not available!*
- Before working on a spray system, make sure that the system has been triple rinsed and neutralized according to the recommendations of the chemical manufacturer(s) and that all of the valves have been cycled 3 times.
- Verify that there is an adequate supply of clean water and soap nearby, and immediately wash off any chemicals that contact you.
- Obtain proper training before using or handling chemicals.
- Use the correct chemical for the job.
- Follow the chemical manufacturer's instructions for the safe application of the chemical.
- Handle chemicals in a well-ventilated area.
- Wear goggles and other protective equipment as instructed by the chemical manufacturer. Ensure that as little skin as possible is exposed while using chemicals.
- Have clean water available especially when filling the spray tank.
- Do not eat, drink, or smoke while working with chemicals.
- Always wash your hands and other exposed areas as soon as possible after finishing the work.
- Properly dispose of unused chemicals and chemical containers as instructed by the chemical manufacturer and your local codes.
- Chemicals and fumes in the tanks are dangerous; never enter the tank or place your head over or in the opening.
- Follow all local/state/federal requirements for the spraying of chemicals.

Setup

Loose Parts

Use the chart below to verify that all parts have been shipped.

Procedure	Description	Qty.	Use
1	No parts required	–	Prepare the machine.
2	Rinse-tank bracket Rinse-tank strap Bolt (3/8 x 3 inch) Flange nut (3/8 inch) Large washer Carriage bolt	2 2 2 4 4 4	Install the rinse tank.
3	Rinse nozzle Bulkhead fitting Shoulder bolt Bushing Rinse vane 90° barbed fitting Plastic flange nut	2 2 2 2 2 2 2	Install the rinse nozzle.
4	Mounting bracket Pump Flange nut (3/8 inch) Small washer Flange nut (1/4 inch) Bolt (1/4 x 1 inch) Straight barbed fitting	1 1 2 4 4 4 2	Install the pump.
5	Filter T-fitting 15 cm (6 inch) hose 101.5 cm (40 inch) hose 42 cm (16.5 inch) hose 61 cm (24 inch) hose Hose clamp Hose grommet Rinse-pump cover Hair pin	1 1 1 1 1 2 9 1 1 2	Install the hoses and filter.
6	Dash switch	1	Install the dash switch.

1

Preparing the Machine

No Parts Required

Procedure

1. Move the sprayer onto a level surface, set the parking brake, stop the pump, stop the engine, and remove the ignition key.
2. Drain the contents of the tank to remove any solution in lines. Refer to the *Operator's Manual* for more information.

Note: Take caution while disconnecting any hoses during the installation of this kit, and have a catch bucket ready for any solutions remaining in the hose.

3. Remove the panel from the tank skid assembly.

CAUTION

Chemicals are hazardous and can cause personal injury.

- Read the directions on the chemical labels before handling the chemicals, and follow all manufacturer recommendations and precautions.
- Keep chemicals away from your skin. Should contact occur, wash the affected area thoroughly with soap and clean water.
- Wear goggles and any other protective equipment recommended by the chemical manufacturer.

2

Installing the Rinse Tank

Parts needed for this procedure:

2	Rinse-tank bracket
2	Rinse-tank strap
2	Bolt (3/8 x 3 inch)
4	Flange nut (3/8 inch)
4	Large washer
4	Carriage bolt

Installing the Hardware for the Rinse Tank Straps

1. Remove the bolts, nuts, and the washers that secure the front tank straps together at the top of the tank (Figure 2).

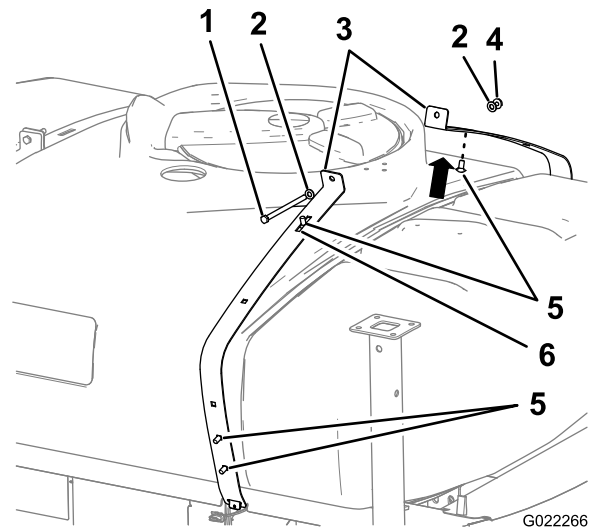


Figure 2

- | | |
|-----------|-------------------|
| 1. Bolt | 4. Nut |
| 2. Washer | 5. Carriage bolts |
| 3. Strap | 6. Slot |

Note: Retain all parts.

2. Install 4 carriage bolts to the slots through the inboard side of the front tank straps (Figure 2).

Note: Temporarily retain the carriage bolts to the straps with the 3/8 inch flange nuts.

3. Install the tank strap fasteners removed previously to secure the straps to the tank (Figure 2).

Note: Make sure that the strap is secure to the tank. **Do not overtighten the fasteners.**

Install the Rinse Tank

1. Install the rinse tank as shown in Figure 3.

Note: If there is not enough space for the rinse tank, loosen both of the main tank straps, and slide the main tank rearward.

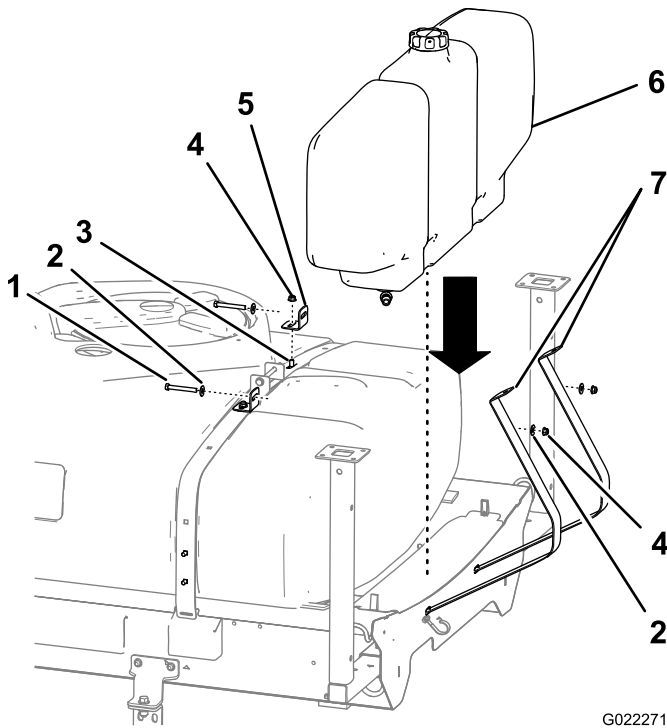


Figure 3

- | | | |
|------------------------|--------------------------|---------------------|
| 1. Bolt (3/8 x 3 inch) | 4. Flange nut (3/8 inch) | 7. Rinse tank strap |
| 2. Large washer | 5. Rinse tank bracket | |
| 3. Carriage bolt | 6. Rinse tank | |

2. Using 2 flange nuts, install the rinse tank brackets to the 2 carriage bolts in the tank straps (Figure 3).
3. Insert the rinse tank straps into the slots on the front of the sprayer frame.

Note: You may need to raise the bed frame to install the straps; refer to your sprayer *Operator's Manual*.

4. Connect the rinse tank straps to the brackets using 2 bolts, 2 flange nuts, and 4 large washers as shown in Figure 3.

Note: Once the rinse tank has been initially filled the rinse tank strap fasteners should be checked and tightened if necessary as the weight of the liquid can further seat the tank against the frame.

3

Installing the Rinse Nozzles

Parts needed for this procedure:

2	Rinse nozzle
2	Bulkhead fitting
2	Shoulder bolt
2	Bushing
2	Rinse vane
2	90° barbed fitting
2	Plastic flange nut

Drilling the Main Tank

1. Remove the tank lid and the strainer basket from the tank (Figure 4).

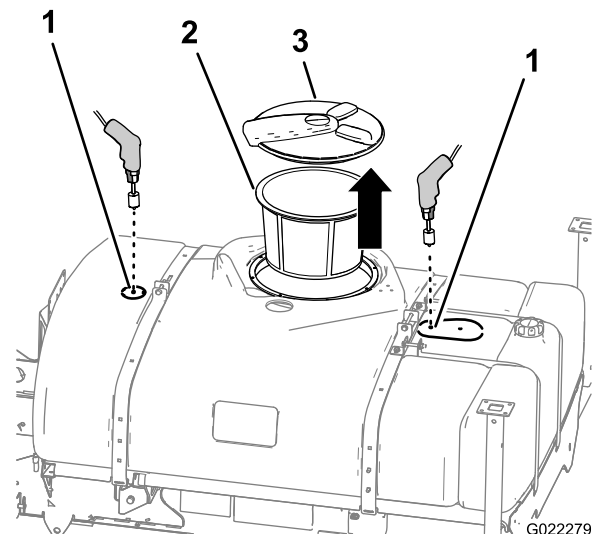


Figure 4

- | | |
|----------------|--------------------|
| 1. Drill marks | 3. Strainer basket |
| 2. Tank lid | |

2. Locate the 2 drill marks on the main tank (Figure 4).
3. Use a 4 cm (1-5/8 inch) hole saw to drill a hole at each drill mark (Figure 4).

Note: Place a receptacle inside the tank and below the areas to be drilled to catch any debris created during the cutting.

Important: Debris left inside a tank could clog and damage the spray system during operation.

Installing the Rinse Nozzles

1. Assemble the 2 rinse nozzles as shown in Figure 5.

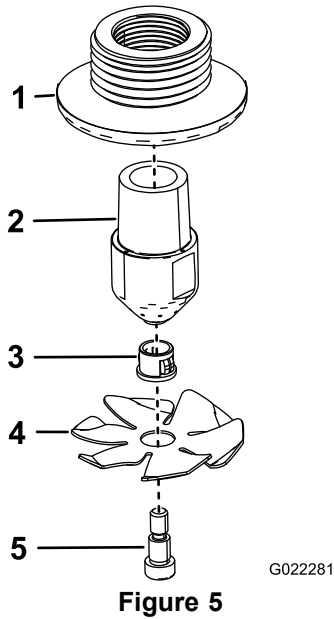


Figure 5

- | | |
|---------------------|------------------|
| 1. Bulkhead fitting | 4. Rinse vane |
| 2. Rinse nozzle | 5. Shoulder bolt |
| 3. Bushing | |

2. Install a nozzle assembly up through each of the drilled holes (Figure 6).

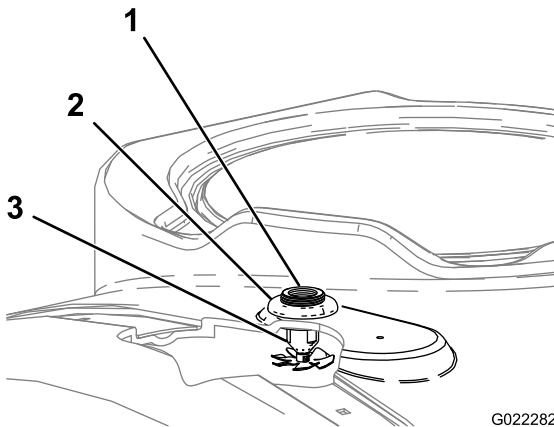


Figure 6

- | | |
|---------------------|--------------------------|
| 1. Bulkhead fitting | 3. Rinse-nozzle assembly |
| 2. Flange nut | |

3. Install the plastic flange nut over the exposed threads of the bulkhead on top of the tank (Figure 6).

Note: Ensure that the seal is seated correctly between the bulkhead fitting and the underside of the tank.

4. Install a 90° barbed fittings into the threaded openings in each of the rinse-nozzle-bulkhead fittings (Figure 7).

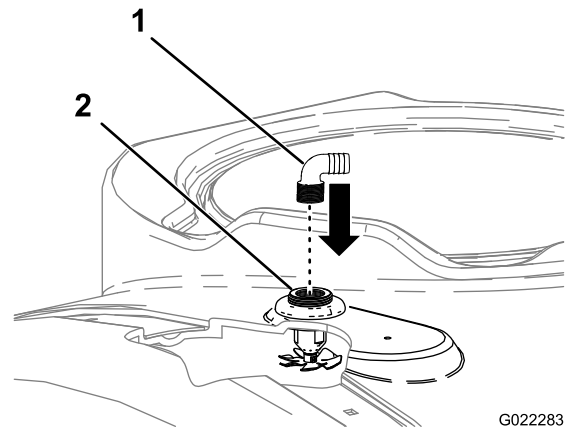


Figure 7

- | | |
|-----------------------|--------------------|
| 1. 90° barbed fitting | 2. Nozzle assembly |
|-----------------------|--------------------|

5. Direct the hose barbs toward the middle of the right side of the machine.
6. Install the tank lid and the strainer basket to the tank that you removed previously.

4

Installing the Pump

Parts needed for this procedure:

1	Mounting bracket
1	Pump
2	Flange nut (3/8 inch)
4	Small washer
4	Flange nut (1/4 inch)
4	Bolt (1/4 x 1 inch)
2	Straight barbed fitting

Procedure

1. Attach the mounting bracket for the rinse pump to the 2 carriage bolts on the side of the front tank strap using the 3/8 inch flange nuts (Figure 8).

5

Installing the Hoses and Filter

Parts needed for this procedure:

1	Filter
1	T-fitting
1	15 cm (6 inch) hose
1	101.5 cm (40 inch) hose
1	42 cm (16.5 inch) hose
2	61 cm (24 inch) hose
9	Hose clamp
1	Hose grommet
1	Rinse-pump cover
2	Hair pin

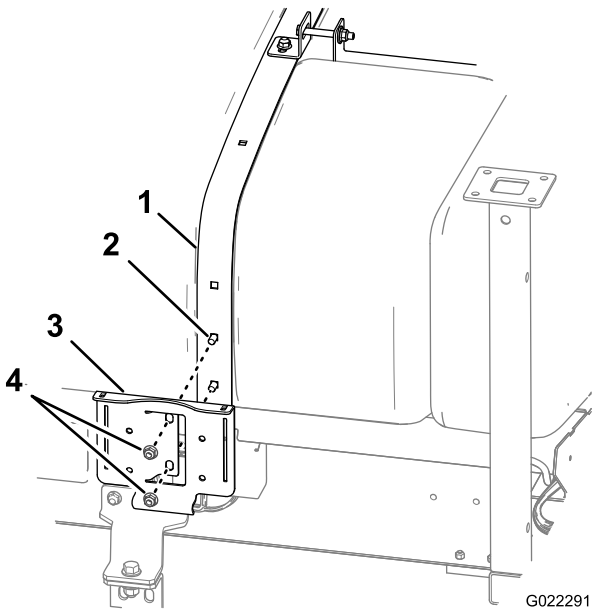


Figure 8

- 1. Tank strap
- 2. Carriage bolt
- 3. Mounting bracket
- 4. Flange nut

- 2. Secure the pump to the frame using the 4 bolts, small washers, and nuts (Figure 9).

Note: Do not overtighten the top 2 bolts as they can contact the tank.

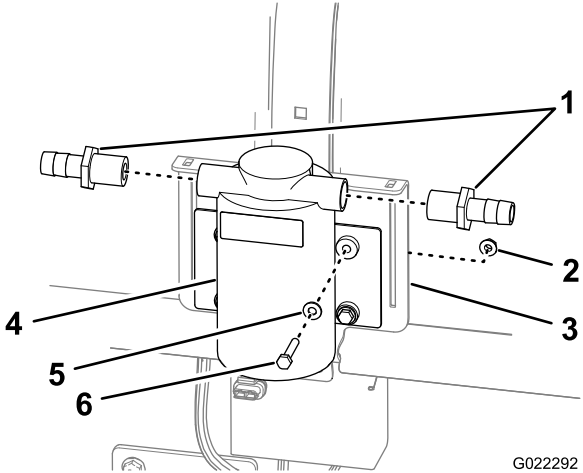


Figure 9

- 1. Straight barbed fitting
- 2. Flange nut (1/4 inch)
- 3. Mounting bracket
- 4. Pump
- 5. Small washer
- 6. Bolt (1/4 x 1-1/2 inch)

- 3. Install the 2 straight barbed fittings into the inlet and outlet ports of the pump (Figure 9).
- 4. Connect the wiring harness of the pump to the wiring harness of the machine.

Install the Rinse-nozzle Hoses and Tee Fitting

Note: Lightly lubricating the barbed end of a hose fitting with a non-petroleum-based lubricant, such as vegetable oil, can ease the process of installation.

- 1. Attach a 61 cm (24 inch) hose to each of the previously installed 90° barbed fittings in the nozzle assemblies using 2 hose clamps (Figure 10).

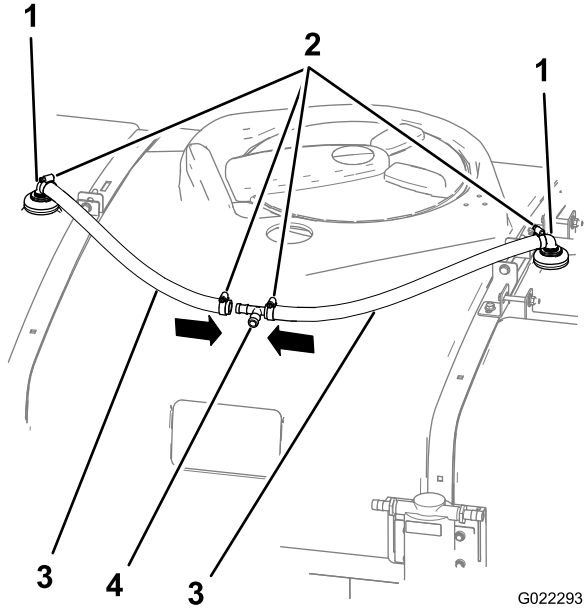


Figure 10

- 1. 90° barbed fitting
- 2. Hose clamp
- 3. 61 cm (24 inch) hose
- 4. T-fitting

- Attach the loose ends of the hoses to the T-fitting with 2 hose clamps (Figure 10).

Install the Supply Hose and Rinse Filter

- Attach one end of the 42 cm (16.5 inch) hose to the T-fitting with a hose clamp (Figure 11).

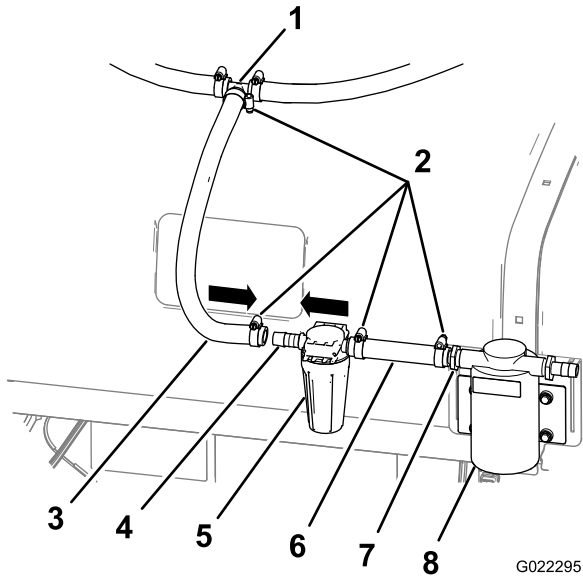


Figure 11

- | | |
|---------------------------|----------------------------|
| 1. T-fitting | 5. Rinse filter |
| 2. Hose clamp | 6. 15 cm (6 inch) hose |
| 3. 42 cm (16.5 inch) hose | 7. Straight barbed fitting |
| 4. Hose fitting | 8. Pump |

- Attach the other end of the hose to the rinse pump filter with a hose clamp (Figure 11).

Note: Ensure that the arrow on the filter points toward the T-fitting.

- Attach the 15 cm (6 inch) hose to the other side of the rinse pump filter with a hose clamp (Figure 11).
- Attach the other end of the hose to the rear hosebarb on the rinse pump with a hose clamp (Figure 11).

Install the Rinse Tank Hose

- Install the hose grommet into the hole at the right side of the sprayer frame near the rinse tank (Figure 12).

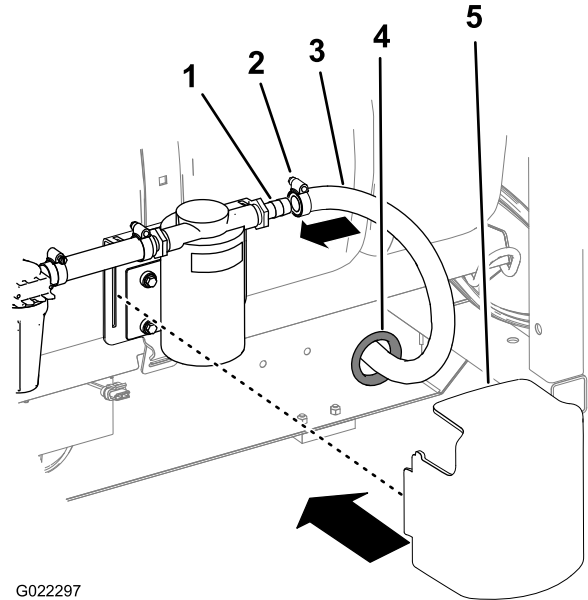


Figure 12

- | | |
|----------------------------|---------------------|
| 1. Straight barbed fitting | 4. Hose grommet |
| 2. Hose clamp | 5. Rinse-pump cover |
| 3. 101.5 cm (40 inch) hose | |

- Install the rinse tank hosebarb to the bulkhead fitting so that it faces the hole in the sprayer frame, and secure it with a retaining fork (Figure 13).

Note: To make installation easier, tilt the bed and tank upward.

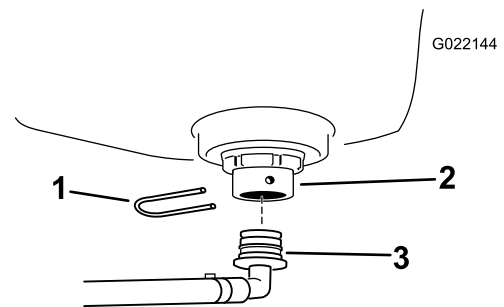


Figure 13

- | | |
|---------------------|------------------------|
| 1. Retaining fork | 3. Rinse tank hosebarb |
| 2. Bulkhead fitting | |

- Route the hose through the previously installed gasket in the side of the frame (Figure 12).
- Attach the end of the 101.5 cm (40 inch) hose to the straight barbed fitting on the rinse pump, and secure it with a hose clamp (Figure 12).
- Secure the rinse-pump cover over the pump using 2 hair pins (Figure 12).

6

Installing the Dash Switch

Parts needed for this procedure:

1	Dash switch
---	-------------

Install the Dash Switch

1. Locate the plug for the rinse tank switch on the sprayer console, and remove the plug (Figure 14).

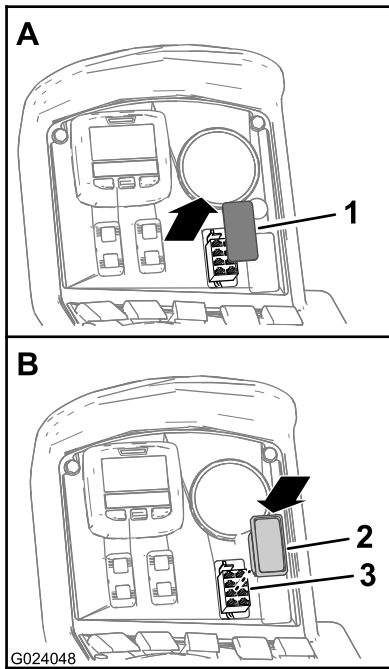


Figure 14

1. Plug
2. Dash switch
3. Connector for rinse tank pump

2. Remove the 4 bolts securing the panel to the console, and locate the box connector labeled Rinse Tank on the main harness.
3. Install the switch to the box connector through the console (Figure 14).

Note: Ensure that the switch is properly oriented; it should remain engaged when pressed up but not when pressed down.

4. Push the switch into the dash to mount it (Figure 14).

Operation

Tank Cleanse Rinse Kit Operation

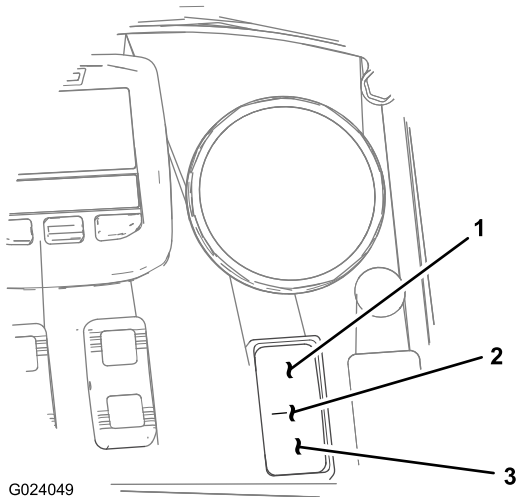
The use of the Tank Cleanse Rinse Kit will result in a rinsate; a diluted solution of residual chemicals. In many cases it is appropriate to apply the rinsate onto the treated areas. However, before doing so, check with the manufacturers of the chemical to ensure the application of a diluted solution to the treated areas will not adversely affect the performance of the product.

Important: The Tank Cleanse Rinse Kit is not intended to dislodge clumped masses of wettable powder or water-soluble chemicals that occur when chemicals are not properly introduced into the main tank.

Controls

The Tank Cleanse Rinse Kit is controlled by a 3 position switch.

- **Up:** the rinse pump is on, the switch will lock in the up position, and the delay timer is activated.
- **Neutral:** the rinse pump is off, and the switch is in a middle position.
- **Down:** the rinse pump is on, the switch must be held in the down position, and the delay timer is not activated.



G024049

Figure 15

- 1. Up
- 2. Neutral
- 3. Down

Pressing the switch up engages a timed rinse. The pump engages for 69 seconds and pumps approximately 1/3 of the rinse tank contents into the main tank. During this time the switch will stay in the up position. After 69 seconds the pump will stop running. The switch will remain in the up position until moved to the center or neutral position.

When the switch is in the neutral position the power is not supplied to the pump and the rinse kit is off.

Pressing the switch down engages a momentary switch. Power is supplied to the pump while the switch is held down. Release the pressure, and the switch moves to the Neutral position and power is not supplied to the pump. While the switch is held in the down position, the pump runs.

Filling the Tank

Position the sprayer on a level surface, set the parking brake, stop the pump, stop the engine, and remove the ignition key.

Remove the rinse-tank cap and fill the tank with approximately 76 L (20 gallons) of clean water. Replace the cap.

Important: The 76 L (20 gallons) rinse tank is only intended to be filled with clean water. Introducing any other substance to the rinse tank can cause a safety hazard and/or damage the machine.

Using the Rinse Cycle

Using the rinse cycle allows you to move the vehicle during the rinse processes.

1. Turn the rinse pump on:
 - Use the Up position for a timed rinse
 - Or press and hold the switch down for the desired duration.
2. Once the pump has placed 25 L (6.7 gallons) of water in the tank, you can use the agitation switch to put clean water into the agitation loop.
3. Pump the rinsate out as required by federal, state and local regulations. You can do 1 of the following:
 - Spray the rinsate through the booms until the main tank is empty.
 - Drain the main tank contents into a suitable container and dispose of the diluted solution as required by federal, state or local regulations.

You can repeat the rinse cycle again as necessary or for 2 timed rinse cycles.

Maintenance

Inspect the Rinse Pump Filter

Service Interval: After the first 5 hours

Every 50 hours

Check the filter for any signs of damage. Replace the filter if it is damaged.

Inspect the Rinse System for Leaks and Damage

Service Interval: Before each use or daily—Inspect the hoses for leaks.

After the first 5 hours—Inspect the hoses for damage.

Every 100 hours—Inspect the hoses and O-rings for damage.

After the first 5 hours of operation, inspect all hoses and connections for any leaks or signs of damage. Inspect the hose clamps and retaining forks. Verify that all connections are secure. Replace any damaged parts. Repeat this inspection before each use of the rinse system.

After 100 operating hours, inspect all hoses and O-rings. Replace any damaged parts.

Contact your Authorized Toro Dealer to obtain replacement parts.

Inspect the Rinse Tank Straps

Service Interval: After the first hour—Check the rinse tank straps.

Once the main tank has been filled with water, check to see if there is any play in the tank straps. If the straps are loose, tighten the fasteners at the top of the straps until they are flush with the tank. **Do not over tighten the tank-strap fasteners.**

Important: Over tightening the tank strap fasteners can deform and damage the straps.

Storage

Drain the pump inlet line, outlet line, and filter line prior to storage for 30 days or more.



The Toro Total Coverage Guarantee

A Limited Warranty

Conditions and Products Covered

The Toro Company and its affiliate, Toro Warranty Company, pursuant to an agreement between them, jointly warrant your Toro Commercial product ("Product") to be free from defects in materials or workmanship for two years or 1500 operational hours*, whichever occurs first. This warranty is applicable to all products with the exception of Aerators (refer to separate warranty statements for these products). Where a warrantable condition exists, we will repair the Product at no cost to you including diagnostics, labor, parts, and transportation. This warranty begins on the date the Product is delivered to the original retail purchaser.

* Product equipped with an hour meter.

Instructions for Obtaining Warranty Service

You are responsible for notifying the Commercial Products Distributor or Authorized Commercial Products Dealer from whom you purchased the Product as soon as you believe a warrantable condition exists. If you need help locating a Commercial Products Distributor or Authorized Dealer, or if you have questions regarding your warranty rights or responsibilities, you may contact us at:

Toro Commercial Products Service Department
Toro Warranty Company
8111 Lyndale Avenue South
Bloomington, MN 55420-1196
952-888-8801 or 800-952-2740
E-mail: commercial.warranty@toro.com

Owner Responsibilities

As the Product owner, you are responsible for required maintenance and adjustments stated in your *Operator's Manual*. Failure to perform required maintenance and adjustments can be grounds for disallowing a warranty claim.

Items and Conditions Not Covered

Not all product failures or malfunctions that occur during the warranty period are defects in materials or workmanship. This warranty does not cover the following:

- Product failures which result from the use of non-Toro replacement parts, or from installation and use of add-on, or modified non-Toro branded accessories and products. A separate warranty may be provided by the manufacturer of these items.
- Product failures which result from failure to perform recommended maintenance and/or adjustments. Failure to properly maintain your Toro product per the Recommended Maintenance listed in the *Operator's Manual* can result in claims for warranty being denied.
- Product failures which result from operating the Product in an abusive, negligent, or reckless manner.
- Parts subject to consumption through use unless found to be defective. Examples of parts which are consumed, or used up, during normal Product operation include, but are not limited to, brake pads and linings, clutch linings, blades, reels, rollers and bearings (sealed or greasable), bed knives, spark plugs, castor wheels and bearings, tires, filters, belts, and certain sprayer components such as diaphragms, nozzles, and check valves, etc.
- Failures caused by outside influence. Conditions considered to be outside influence include, but are not limited to, weather, storage practices, contamination, use of unapproved fuels, coolants, lubricants, additives, fertilizers, water, or chemicals, etc.
- Failure or performance issues due to the use of fuels (e.g. gasoline, diesel, or biodiesel) that do not conform to their respective industry standards.

Countries Other than the United States or Canada

Customers who have purchased Toro products exported from the United States or Canada should contact their Toro Distributor (Dealer) to obtain guarantee policies for your country, province, or state. If for any reason you are dissatisfied with your Distributor's service or have difficulty obtaining guarantee information, contact the Toro importer.

- Normal noise, vibration, wear and tear, and deterioration.
- Normal "wear and tear" includes, but is not limited to, damage to seats due to wear or abrasion, worn painted surfaces, scratched decals or windows, etc.

Parts

Parts scheduled for replacement as required maintenance are warranted for the period of time up to the scheduled replacement time for that part. Parts replaced under this warranty are covered for the duration of the original product warranty and become the property of Toro. Toro will make the final decision whether to repair any existing part or assembly or replace it. Toro may use remanufactured parts for warranty repairs.

Deep Cycle and Lithium-Ion Battery Warranty:

Deep cycle and Lithium-Ion batteries have a specified total number of kilowatt-hours they can deliver during their lifetime. Operating, recharging, and maintenance techniques can extend or reduce total battery life. As the batteries in this product are consumed, the amount of useful work between charging intervals will slowly decrease until the battery is completely worn out. Replacement of worn out batteries, due to normal consumption, is the responsibility of the product owner. Battery replacement may be required during the normal product warranty period at owner's expense. Note: (Lithium-Ion battery only): A Lithium-Ion battery has a part only prorated warranty beginning year 3 through year 5 based on the time in service and kilowatt hours used. Refer to the *Operator's Manual* for additional information.

Maintenance is at Owner's Expense

Engine tune-up, lubrication, cleaning and polishing, replacement of filters, coolant, and completing recommended maintenance are some of the normal services Toro products require that are at the owner's expense.

General Conditions

Repair by an Authorized Toro Distributor or Dealer is your sole remedy under this warranty.

Neither The Toro Company nor Toro Warranty Company is liable for indirect, incidental or consequential damages in connection with the use of the Toro Products covered by this warranty, including any cost or expense of providing substitute equipment or service during reasonable periods of malfunction or non-use pending completion of repairs under this warranty. Except for the Emissions warranty referenced below, if applicable, there is no other express warranty. All implied warranties of merchantability and fitness for use are limited to the duration of this express warranty.

Some states do not allow exclusions of incidental or consequential damages, or limitations on how long an implied warranty lasts, so the above exclusions and limitations may not apply to you. This warranty gives you specific legal rights, and you may also have other rights which vary from state to state.

Note regarding engine warranty:

The Emissions Control System on your Product may be covered by a separate warranty meeting requirements established by the U.S. Environmental Protection Agency (EPA) and/or the California Air Resources Board (CARB). The hour limitations set forth above do not apply to the Emissions Control System Warranty. Refer to the Engine Emission Control Warranty Statement supplied with your product or contained in the engine manufacturer's documentation for details