



Count on it.

Parts Catalog

**Z Master® Commercial 2000
Series Riding Mower**

**with 48in TURBO FORCE® Side Discharge
Mower**

Model No. 74141—Serial No. 314000001 and Up



Ordering Replacement Parts

To order replacement parts, please supply the part number, the quantity, and the description of each part desired.

Understanding Reference Numbers

Each identified part in an illustration has a reference number. The reference number for a part also appears in the parts list, along with other information about the part.

This catalog uses two special reference number formats, one to indicate parts in a service assembly and another to indicate the quantity of a given part in an illustration.

Service Assembly Reference Numbers

Parts in service assemblies have reference numbers in the form a:b. The a represents the reference number of the entire service assembly and the b represents a sequential number unique to each part within the service assembly.

For example, a wheel assembly might be identified by reference number 6, the tire by 6:1, the valve by 6:2, and the wheel by 6:3. When you order the assembly identified by reference number 6, you receive all parts identified by reference numbers 6:1, 6:2, and 6:3. However, you may also order any part individually. Reference numbers of this type appear in illustration and in parts lists.

Reference Numbers Indicating Quantity

In an illustration, if a reference number indicates more than one part, the reference number has the form nX y. The n represents the quantity of the part, the X is the multiplication symbol, and the y represents the reference number.

For example, in an illustration, the reference number 2X 37 means that two of the parts identified by reference number 37 are indicated.

List of Abbreviations

AR: as required

ASM: assembly

BBC: blade brake control

BHTF: button head thread forming

CARR: carriage

CCW: counter clockwise

CW: clockwise

DEG: degrees

DPA: Dual Point Adjustment

ECM: electronic control module

EXT: external

FH: flat head

GA: gauge

HD: heavy-duty

HF: hex flange

HH: hex head

HHF: hex head flange

HHFTF: hex head flange thread forming

HJ: hex jam

HLH: hex lag head

HOC: height-of-cut

HSBH: hex socket button head

HSFH: hex socket flat head

HSH: hex socket head

HWH: hex washer head

HWHTF: hex washer head thread forming

HYD: hydraulic

LH: left hand

LP: Liquefied Petroleum Gas

LPG: Liquefied Petroleum Gas

NI: nylon insert

NPTF: national pipe thread fine

PFH: phillips flat head

PPH: phillips pan head

PPHTF: phillips pan head thread forming

PRH: phillips round head

PTH: phillips truss head

PTO: power-take-off

RH: right hand

ROPS: roll-over protection system

RRB: rear roller brush

SFH: slotted fillister head

SHH: slotted hex head

SHWH: slotted hex washer head

SPH: slotted pan head

SQH: square head

SRH: slotted round head

STD: standard

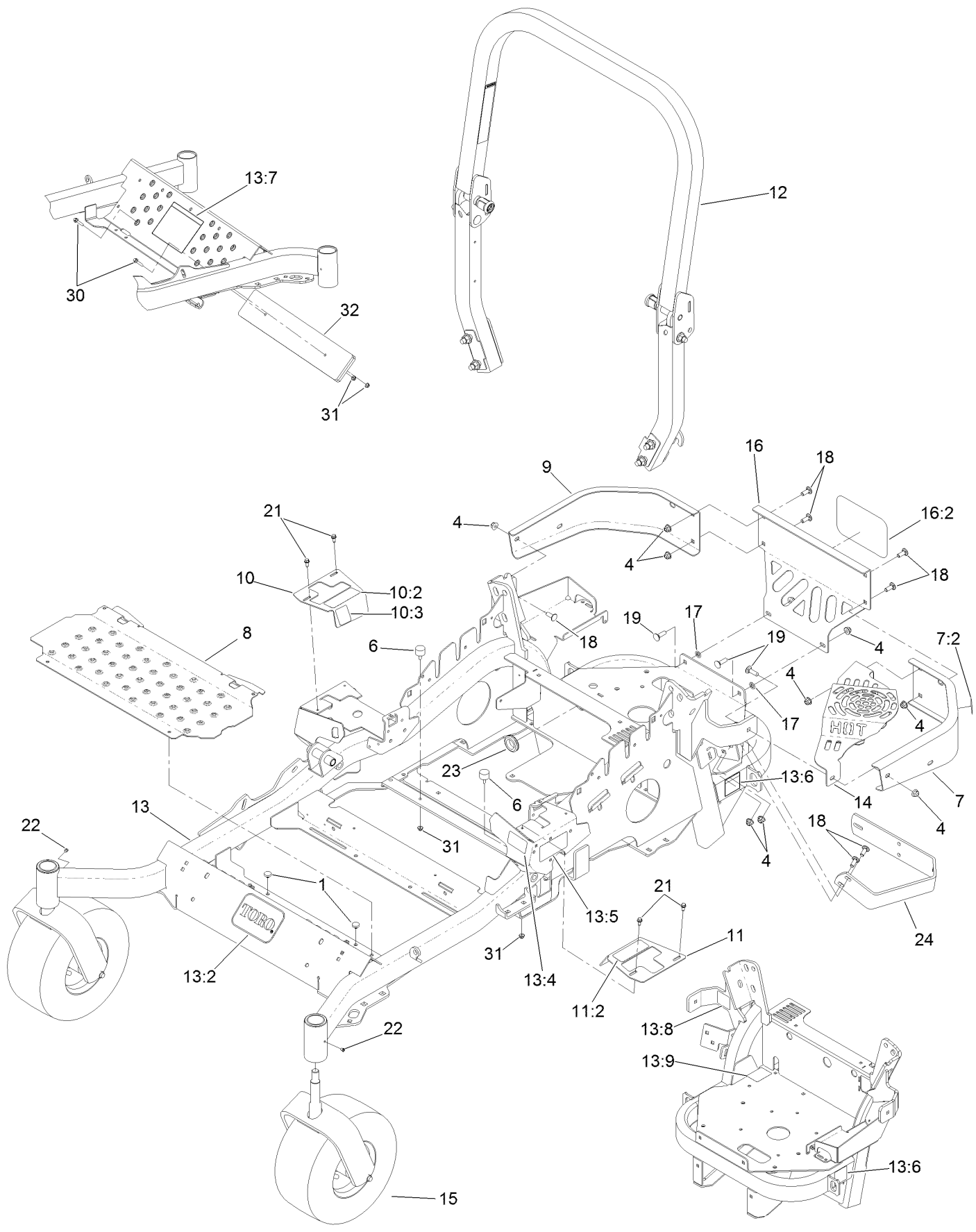
TAP: self tapping

TTH: torx truss head

Contents

Frame and Caster Wheel Assembly	4
Roll-Over Protection System Assembly No. 116-0231	6
Caster Fork and Wheel Assembly	8
Hydro Drive System Assembly	10
Hydro Idler Arm Assembly	12
Fuel Tank and Hose Assembly	14
Seat Mounting Assembly	16
Seat Assembly No. 127-9538	18
Motion Control Assembly	20
Parking Brake Assembly	22
Engine, Muffler and Control Panel Assembly	24
Deck Lift Assembly	26
Height-of-Cut Assembly No. 120-2520	28
Deck Assembly	30
Deck Decal Assembly No. 120-2441	32
Deflector Assembly No. 120-2451	34
Idler Assembly	36
Electrical Assembly	38
Attachments and Accessories	40

Frame and Caster Wheel Assembly

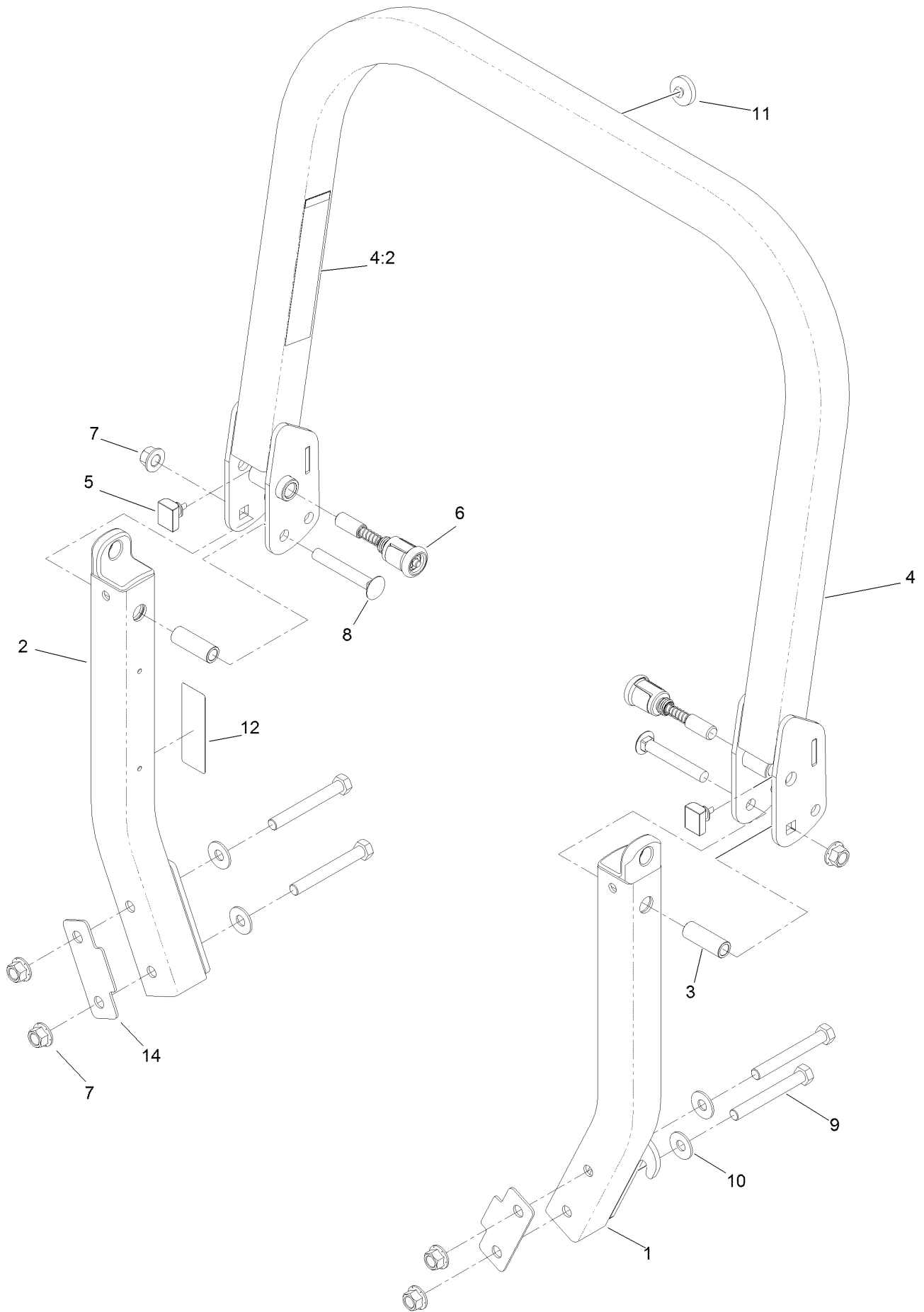


Frame and Caster Wheel Assembly (continued)

<i>Ref.</i>	<i>Part Number</i>	<i>Qty.</i>	<i>Description</i>	<i>Ref.</i>	<i>Part Number</i>	<i>Qty.</i>	<i>Description</i>
1	1-513658	2	Bumper	13:7	116-3303	1	Decal-Slope
4	104-8301	10	Nut-Flange, NI	13:8	116-4858	1	Decal-Spark Arrester
6	116-6380	2	Bumper-Rubber (W/ Stud)	13:9	117-1158	2	Decal-Bypass
7	109-9869	1	Bumper-Rear, LH	14	120-7896-03	1	Guard-Muffler
7:2	103-2076	1	Decal-Caution	15		2	Caster Wheel ASM ●
8	116-8898-01	1	Floorpan	16	119-2691	1	Rear Guard ASM
9	116-0508-03	1	Bumper-Rear, RH	16:2	67-7320	1	Decal
10	120-3280	1	Cover ASM-Motion Control	17	107-3154	2	Nut-Push
10:2	109-7232	1	Decal-Motion Control	18	3231-22	7	Screw-CARR
10:3	116-5944	1	Decal-Park Brake	19	3231-25	3	Bolt-CARR
11	120-3279	1	Cover ASM-Motion Control	21	32144-10	4	Screw-HWH
11:2	109-7232	1	Decal-Motion Control	22	1-811010	2	Plug
12	116-0231	1	ROPS ASM	23	120-3265	1	Grommet
13	117-8581	1	Frame ASM	24	119-2607-03	1	Guard-Muffler, Side
13:2	68-3640	1	Decal	30	3234-21	2	Screw-HHF
13:4	116-1654	1	Decal-Fuel Fill	31	104-7201	4	Nut-HF
13:5	120-5891	2	Decal	32	121-4773-01	2	Weight
13:6	116-0205	2	Decal-Belt Drive				

● Not serviced separately

Roll-Over Protection System Assembly No. 116-0231

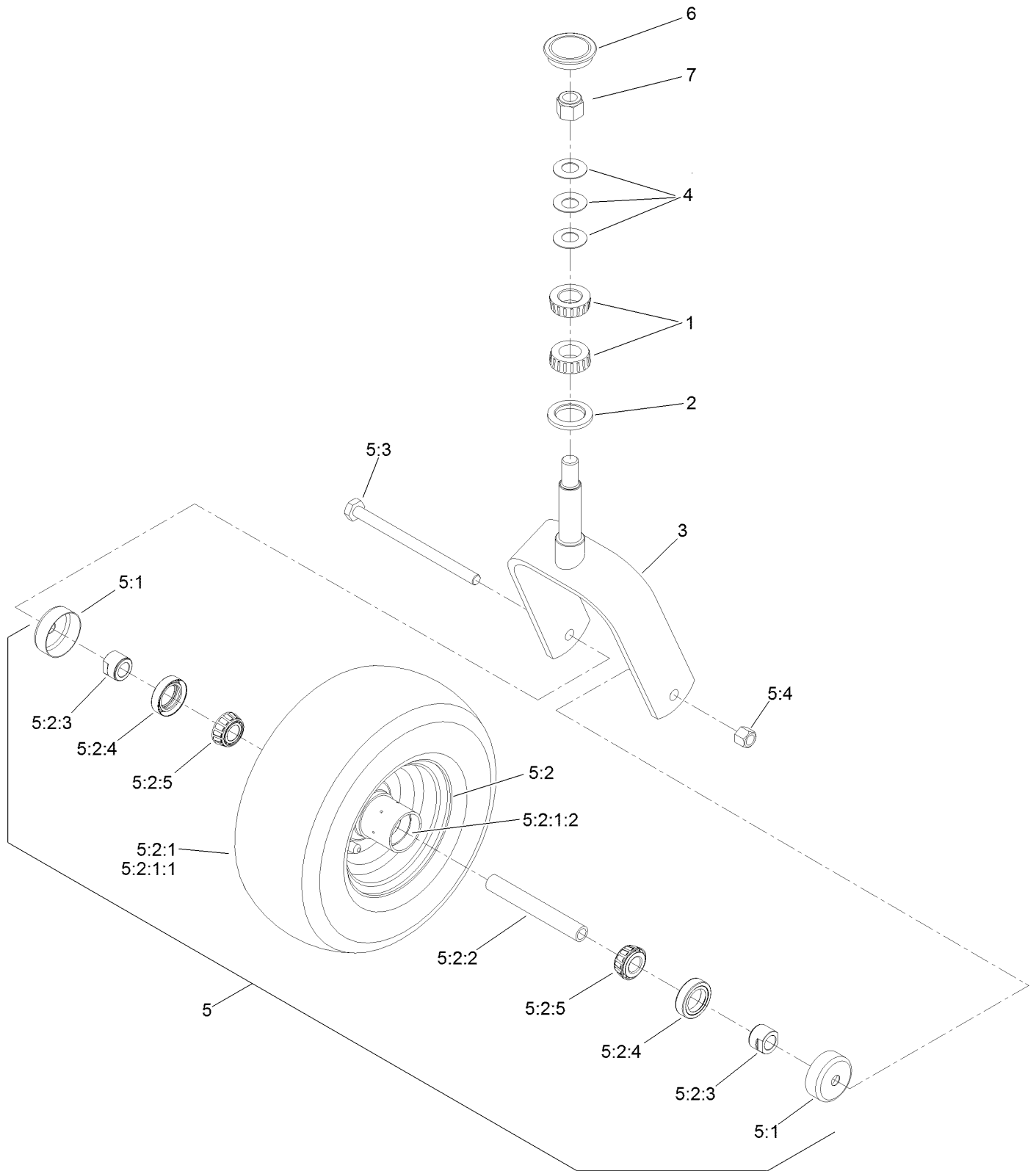


Roll-Over Protection System Assembly No. 116-0231 (continued)

<i>Ref.</i>	<i>Part Number</i>	<i>Qty.</i>	<i>Description</i>	<i>Ref.</i>	<i>Part Number</i>	<i>Qty.</i>	<i>Description</i>
1		1	Leg-ROPS, LH ●	7	99-5107	6	Nut-Lock
2		1	Leg-ROPS, RH ●	8	3233-10	2	Screw-CARR
3	109-6653	2	Spacer	9	325-17	4	Screw-HH
4		1	Upper ROPS ASM ●	10	109-9505	4	Washer-Spring
4:2	107-2102	1	Decal-Warning, Folding ROPS	11	109-9233	1	Bumper-Push-In, Rubber
5	109-5337	2	Bumper-ROPS	12	116-0090	1	Decal-Caution
6	116-0104	2	Pin-Spring	14	116-0960	2	Spacer

● Not serviced separately

Caster Fork and Wheel Assembly

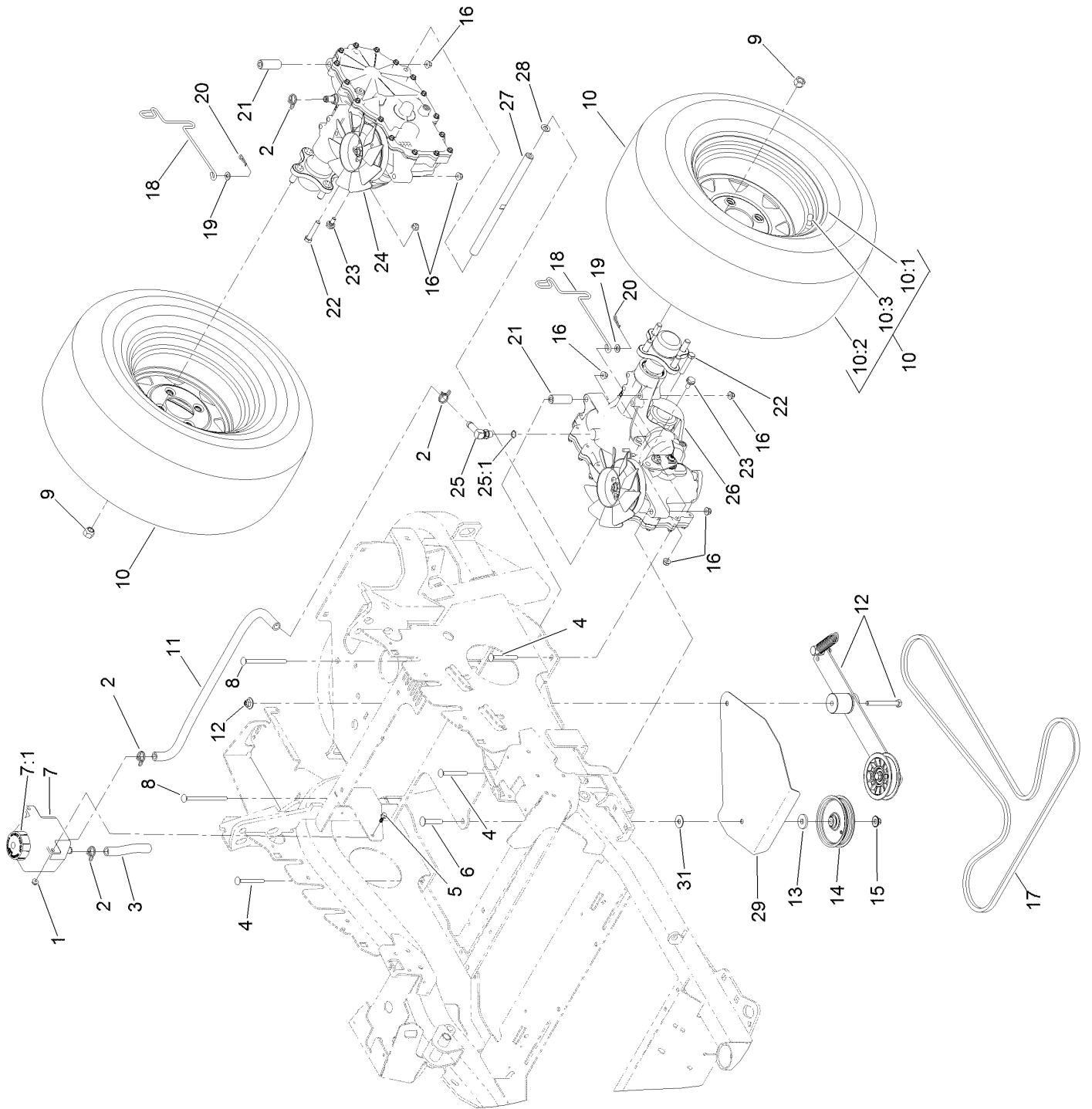


Caster Fork and Wheel Assembly (continued)

<i>Ref.</i>	<i>Part Number</i>	<i>Qty.</i>	<i>Description</i>	<i>Ref.</i>	<i>Part Number</i>	<i>Qty.</i>	<i>Description</i>
1	1-543509	2	Bearing-Roller, Tapered	5:2:1:2	1-633584	2	Bearing-Cup
2	116-5647	1	Seal-Grease	5:2:2	103-3155	1	Axle-Caster
3	116-6701-01	1	Fork-Caster	5:2:3	103-3051	2	Spacer-Nut
4	1-633508	3	Washer-Bellville	5:2:4	103-0063	2	Seal-Caster
5	127-9535	1	Wheel And Axle ASM	5:2:5	1-633585	2	Bearing-Cone, Taper
5:1	103-2768	2	Guard-Seal	5:3	325-36	1	Screw-HH
5:2		1	Wheel And Bearing ASM ●	5:4	3296-23	1	Nut-Lock, NI
5:2:1		1	Wheel And Tire ASM ●	6	103-4882	1	Cap-Grease
5:2:1:1	1-633002	1	Tire	7	3296-51	1	Nut-Lock, NI

● Not serviced separately

Hydro Drive System Assembly

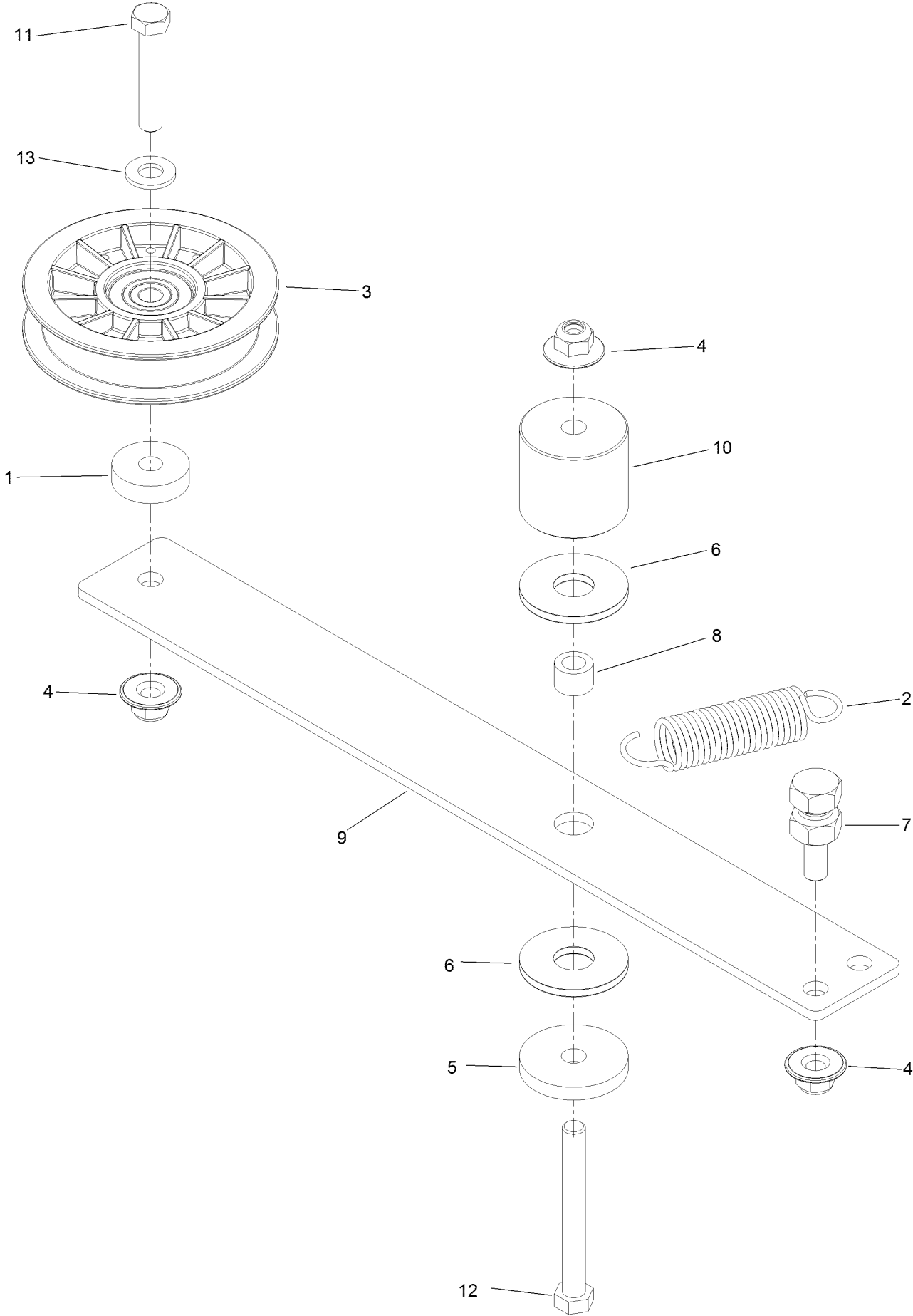


Hydro Drive System Assembly (continued)

<i>Ref.</i>	<i>Part Number</i>	<i>Qty.</i>	<i>Description</i>	<i>Ref.</i>	<i>Part Number</i>	<i>Qty.</i>	<i>Description</i>
1	104-7201	2	Nut-HF	15	109-6658	1	Nut-Flange, NI
2	117-1193	4	Clamp-Hose	16	104-8300	10	Nut-Flange, NI
3	119-2642	1	Hose-HYD	17	114860	1	Belt-V
4	3230-9	6	Screw-CARR	18	125-8950	2	Rod-Bypass
5	99-6810	2	Screw-HHF	19	3256-23	2	Washer-Flat
6	117-9971	1	Bolt-Carriage	20	1-806003	2	Pin-Cotter, Hair
7	109-2250	1	Vent-Tank, Hydro	21	109-3652	2	Spacer-Hydro
7:1	109-3320	1	Cap-Reservoir, HYD	22	94-7972	2	Screw-HH W/Loctite
8	3230-30	2	Screw-CARR	23	37-8771	2	Bolt-Shoulder
9	242-50	8	Nut-Lug	24	130-2850	1	RH Transaxle ASM
10	127-9504	2	Wheel And Tire ASM	25	109-6449	1	Fitting-Elbow, 90
10:1	127-9505	1	Wheel	25:1	237-42	1	O-Ring
10:2	120-3271	1	Tire	26	130-2851	1	LH Transaxle ASM
10:3	232-27	1	Stem-Valve	27	117-8585	1	Shaft-Cross, Hydro
11	119-2689	1	Hose-HYD	28	3256-24	1	Washer-Flat
12		1	Hydro Idler Arm ASM ●	29	125-4777-01	1	Plate-Guard
13	1-373034	1	Washer	31	52-2860	1	Washer
14	93-1622	1	Pulley-Idler				

● Not serviced separately

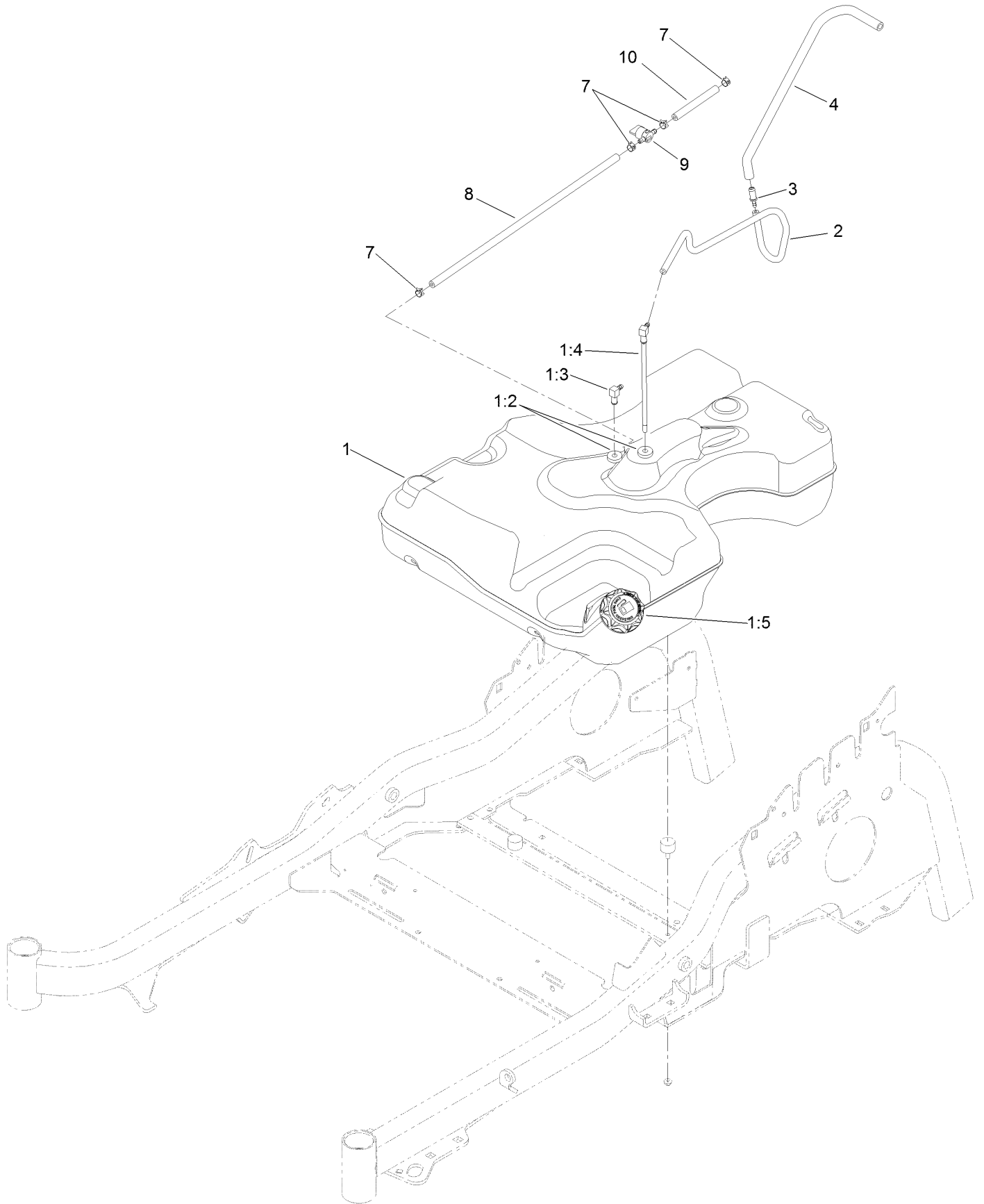
Hydro Idler Arm Assembly



Hydro Idler Arm Assembly (continued)

<i>Ref.</i>	<i>Part Number</i>	<i>Qty.</i>	<i>Description</i>	<i>Ref.</i>	<i>Part Number</i>	<i>Qty.</i>	<i>Description</i>
1	105-7788	1	Spacer	8	115-4986	1	Spacer
2	108-4056	1	Spring-Extension	9	119-9914	1	Arm-Idler, Hydro
3	109-3397	1	Pulley-Idler, Flat	10	119-2657	1	Spacer-Plain
4	109-6658	3	Nut-Flange, NI	11	323-10	1	Screw-HH
5	110-9981	1	Washer-Plain	12	323-20	1	Screw-HH
6	114-0463	2	Washer-Friction, Composite	13	3256-24	1	Washer-Flat
7	114-5866	1	Anchor-Spring, Short				

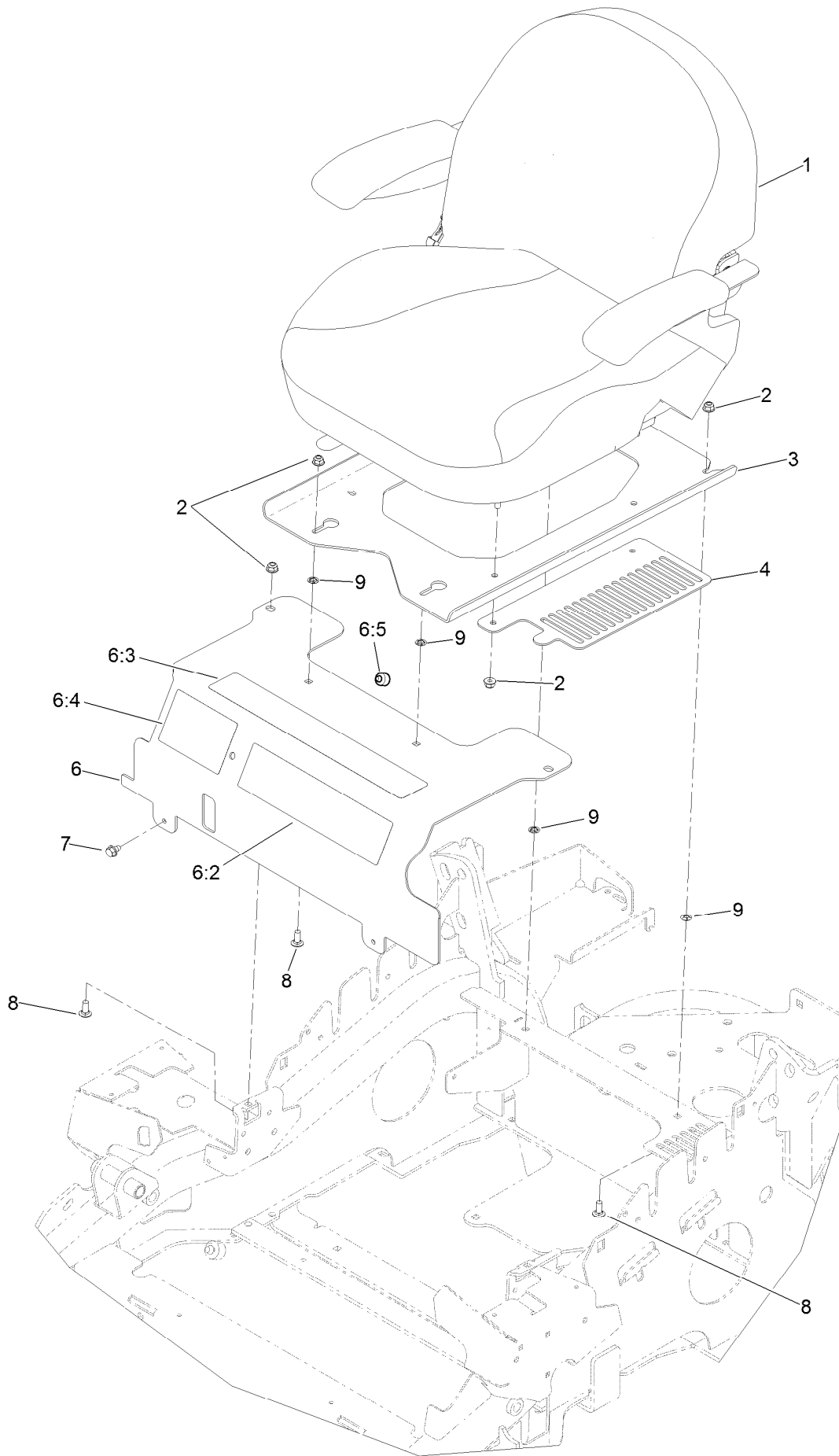
Fuel Tank and Hose Assembly



Fuel Tank and Hose Assembly (continued)

<i>Ref.</i>	<i>Part Number</i>	<i>Qty.</i>	<i>Description</i>	<i>Ref.</i>	<i>Part Number</i>	<i>Qty.</i>	<i>Description</i>
1	125-4765	1	Fuel Tank ASM	3	98-2952	1	Fitting-Straight
1:2	46-6560	2	Bushing	4	119-8562	1	Hose-Fuel
1:3	116-2288	1	Fitting-90 Elbow	7	2412-98	4	Clamp-Hose
1:4	125-4767	1	Fuel Line ASM	8	110-5701	1	Hose-Fuel
1:5	126-1789	1	Cap-Fuel, Ratcheting	9	1-603770	1	Valve-Fuel
2	119-6074	1	Hose-Fuel	10	109-0650	1	Hose-Fuel

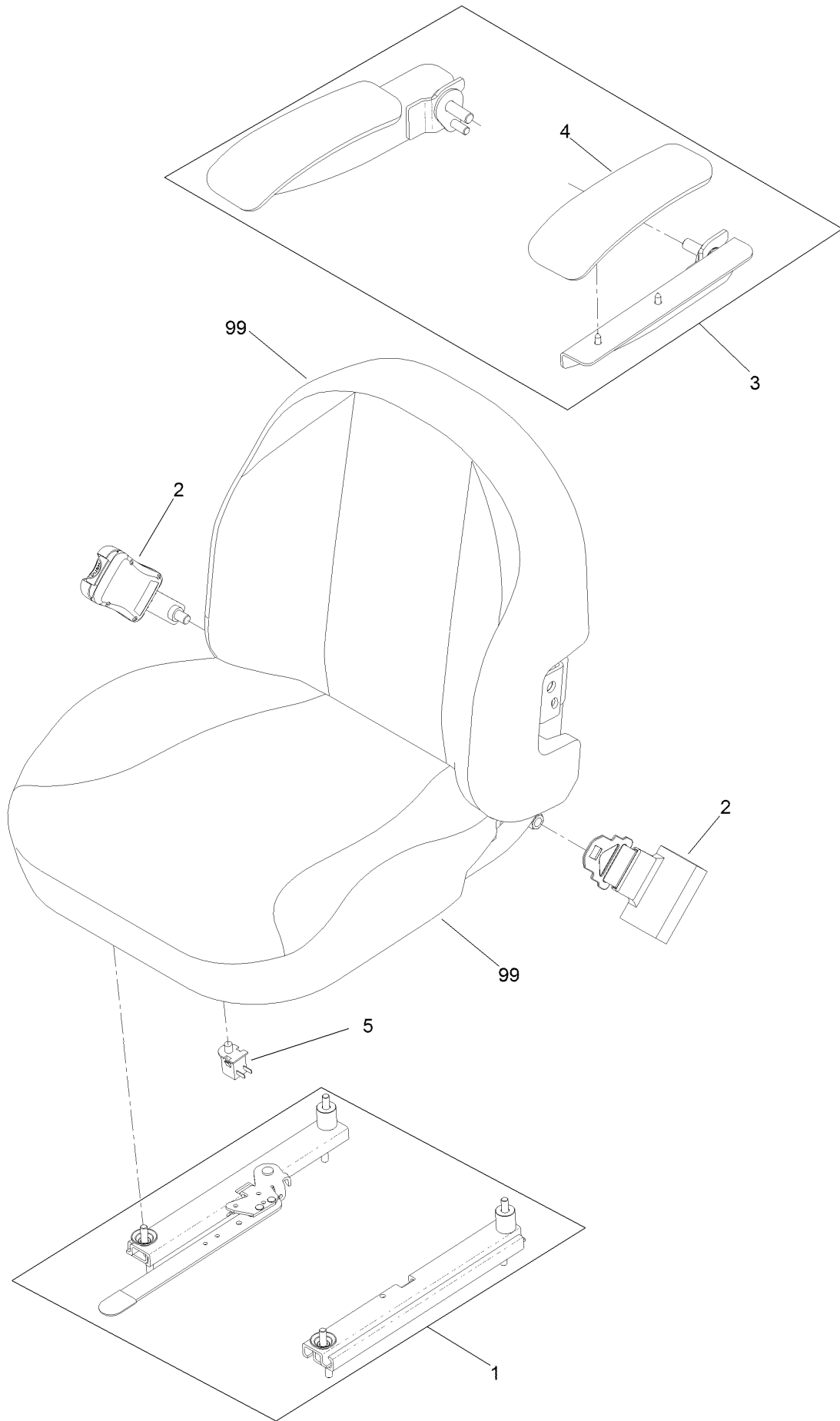
Seat Mounting Assembly



Seat Mounting Assembly (continued)

<i>Ref.</i>	<i>Part Number</i>	<i>Qty.</i>	<i>Description</i>	<i>Ref.</i>	<i>Part Number</i>	<i>Qty.</i>	<i>Description</i>
1	127-9538	1	Seat ASM	6:3	109-7069	1	Decal-Console
2	104-8300	10	Nut-Flange, NI	6:4	121-3223	1	Decal-Service Aid
3	117-8615-03	1	Plate-Mount, Seat	6:5	120-7893	1	Bumper-Grommet
4	117-8618-03	2	Plate-Cover, Fan	7	9266934	2	Screw
6	119-2597	1	Seat Mount Panel ASM	8	3230-23	6	Screw-CARR
6:2	114-5878	1	Decal	9	117-2749	4	Nut-Push

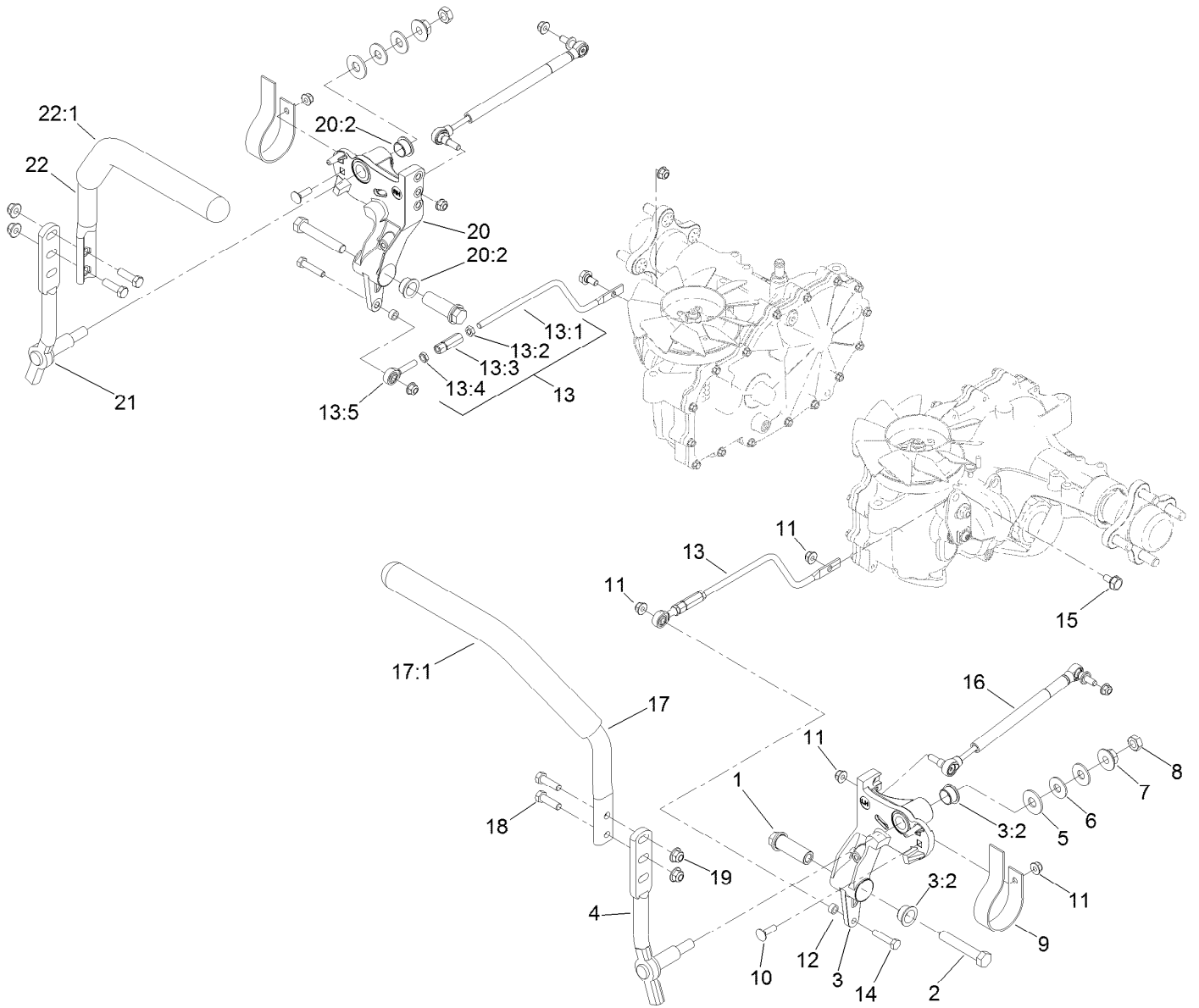
Seat Assembly No. 127-9538



Seat Assembly No. 127-9538 (continued)

<i>Ref.</i>	<i>Part Number</i>	<i>Qty.</i>	<i>Description</i>	<i>Ref.</i>	<i>Part Number</i>	<i>Qty.</i>	<i>Description</i>
1	130-2853	1	Seat Track Kit	5	82-2190	1	Switch-Bail
2	130-2854	1	Seat Belt Kit	99	130-2855	1	Cover-Seat, Back
3	126-2058	1	Armrest Kit	99	130-2856	1	Cover-Seat, Bottom
4	110-4163	2	Cushion-Rest, Arm				

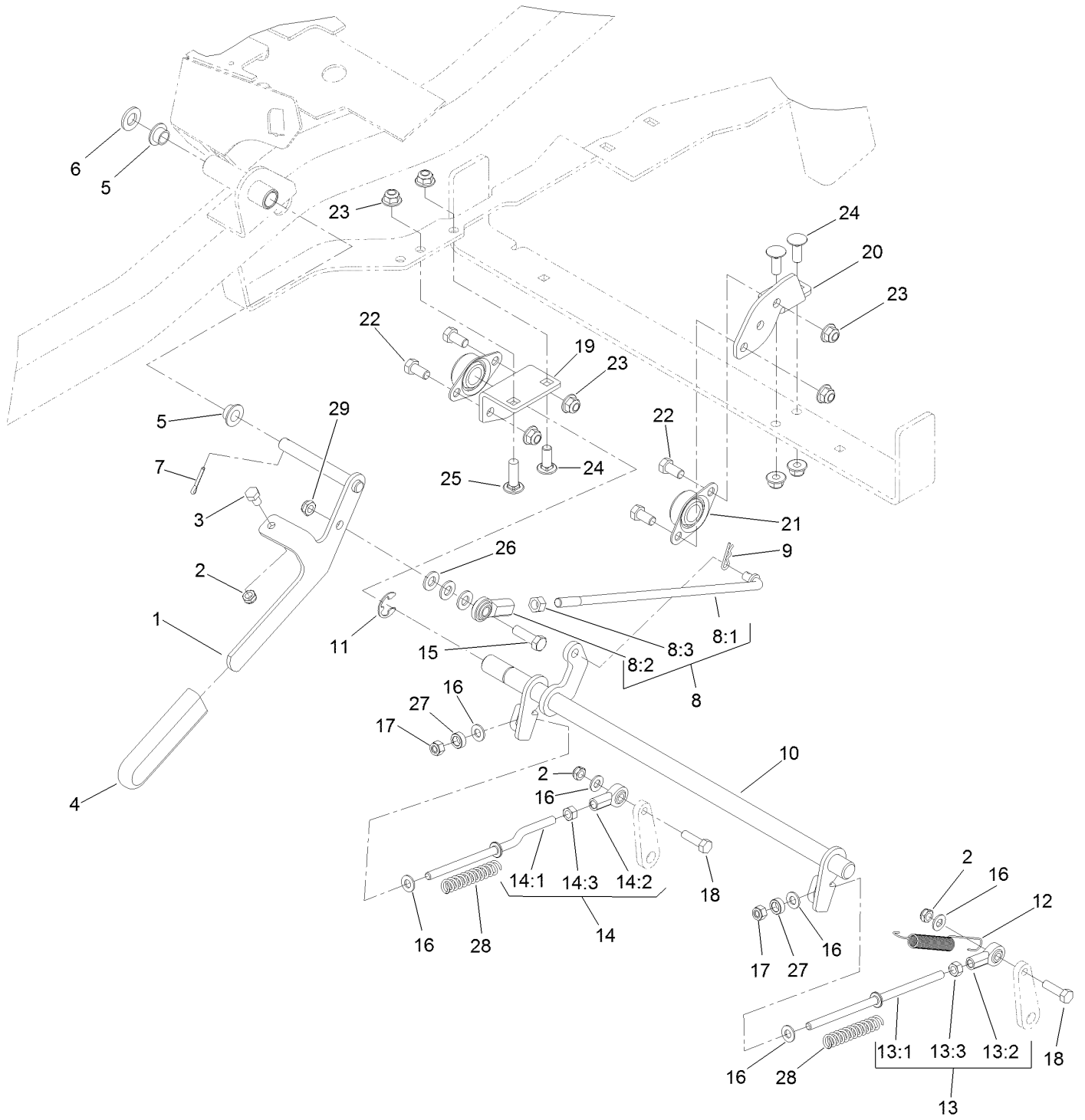
Motion Control Assembly



Motion Control Assembly (continued)

<i>Ref.</i>	<i>Part Number</i>	<i>Qty.</i>	<i>Description</i>	<i>Ref.</i>	<i>Part Number</i>	<i>Qty.</i>	<i>Description</i>
1	109-5891	2	Hub-Threaded	13:3	109-3728	1	Nut-Rod Adjustment
2	325-12	2	Screw-HH	13:4	3220-20	1	Nut-Jam
3	116-0881	1	LH Motion Control And Bushing ASM	13:5	2411-53	1	Bearing-Rod End, LH
3:2	109-8054	4	Bushing-Flange	14	322-7	2	Screw-HH
4	116-0040	1	Lever-Control Motion, LH	15	37-8771	2	Bolt-Shoulder
5	3256-6	2	Washer-Flat	16	116-0027	2	Damper-Control, Motion
6	109-9505	4	Washer-Spring	17	109-6590	1	LH Steering Handle ASM
7	32128-56	2	Nut-HF	17:1	109-5668	1	Grip-Control, Lever
8	3218-5	2	Nut-Jam	18	323-7	4	Screw-HH
9	109-5575	2	Spring-Leaf	19	104-8301	4	Nut-Flange, NI
10	3230-2	2	Bolt-CARR	20	116-0880	1	RH Motion Control And Bushing ASM
11	104-8300	10	Nut-Flange, NI	20:2	109-8054	4	Bushing-Flange
12	92-6998	2	Spacer-Yoke, Right	21	116-0039	1	Lever-Control Motion, RH
13	119-2605	2	Hydro Control Rod ASM	22	109-6589	1	RH Steering Handle ASM
13:1	119-2606	1	Rod-Control, Hydro	22:1	109-5668	1	Grip-Control, Lever
13:2	3220-2	1	Nut-Jam				

Parking Brake Assembly



Parking Brake Assembly (continued)

<i>Ref.</i>	<i>Part Number</i>	<i>Qty.</i>	<i>Description</i>	<i>Ref.</i>	<i>Part Number</i>	<i>Qty.</i>	<i>Description</i>
1	121-4766-03	1	Handle-Brake	14	121-4806	1	RH Brake Rod ASM
2	3296-47	3	Nut-Lock, NI	14:1	121-4770	1	Rod-Brake
3	322-1	1	Screw-HH	14:2	1-543017	1	Balljoint-RH
4	1-633268	1	Grip-Lever	14:3	3219-2	1	Nut-Hex
5	1-513140	2	Bearing-Control	15	323-7	1	Screw-HH
6	106-9888	1	Washer-Flat	16	3256-23	6	Washer-Flat
7	3272-10	1	Pin-Cotter	17	3296-4	2	Nut-Lock
8	121-4807	1	Brake Link ASM	18	322-16	2	Screw-HH
8:1	121-4795	1	Rod-Link, Brake	19	121-4761-01	1	Bracket-Shaft Mount, RH
8:2	103-0608	1	Joint-Ball, End	20	121-4793-01	1	Bracket-Shaft Mount, LH
8:3	3219-3	1	Nut-Hex	21	1-633102	2	Bearing-Flange, Side
9	3290-307	1	Pin-Hair	22	323-4	4	Screw-HH
10	121-4804-03	1	Shaft-Brake	23	104-8301	8	Nut-Flange, NI
11	32151-48	1	E-Ring	24	3231-22	3	Screw-CARR
12	110769	1	Spring-Extension	25	3231-28	1	Screw-CARR
13	121-4805	1	LH Brake Rod ASM	26	3256-24	3	Washer-Flat
13:1	121-4755	1	Rod-Brake	27	103-5677	2	Spacer
13:2	1-543017	1	Balljoint-RH	28	1-603807	2	Spring-Return, Neutral
13:3	3219-2	1	Nut-Hex	29	3296-59	1	Nut-Lock, NI

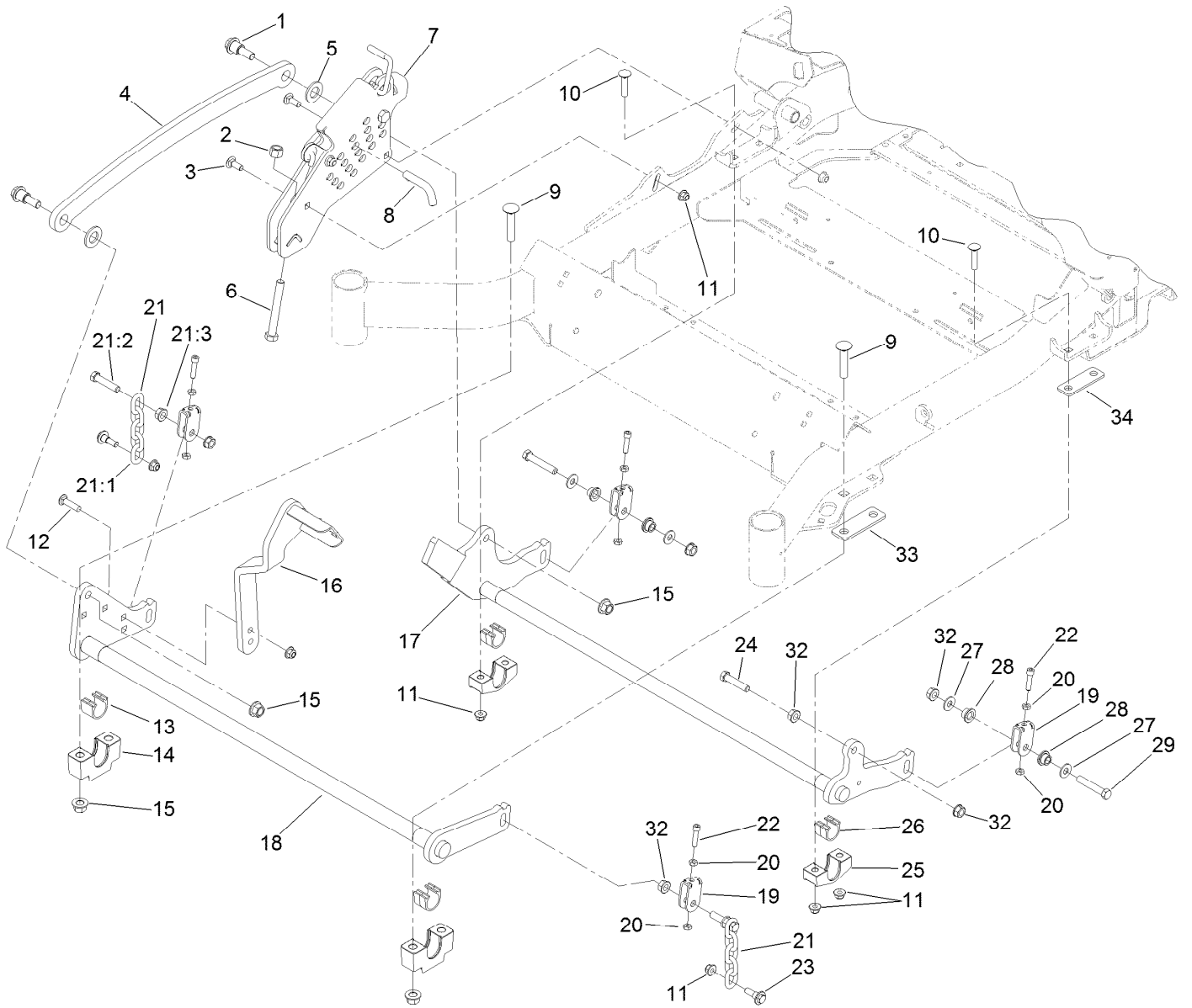
Engine, Muffler and Control Panel Assembly (continued)

<i>Ref.</i>	<i>Part Number</i>	<i>Qty.</i>	<i>Description</i>	<i>Ref.</i>	<i>Part Number</i>	<i>Qty.</i>	<i>Description</i>
1		1	Engine-Kawasaki, Fx651V-S10-R ●■	16	32105-15	4	Screw-HWH
2	323-7	4	Screw-HH	17	110-5727	1	Throttle Control ASM
3	98-5975	4	Washer-Belleville	17:1	112-2334	1	Lever-Throttle
4	114-3550	4	Washer-Lock, Spring	17:2	110-5728	1	Cable-Throttle
5	114-3549	4	Nut	18	1-603175	1	Knob-Ball
6	116-4924	1	Engine Oil Drain Hose ASM	19	1-807513	2	Bolt-CARR
6:1	353-508	1	Plug-HH	20	3296-2	2	Nut-Lock, NI
6:1:1	237-42	1	O-Ring	21	115-2753	1	Control-Choke
7	119-2645	1	Muffler	22	3220-3	1	Nut-HJ
8	119-2659	1	Bracket-Muffler	23	105-1853	1	Clamp-Hose
9	1-303334	1	Washer-Spring	24	117-7817	1	Clamp-Harness
10	33114-020	1	Screw-HH	25	119-2595	1	Clutch
11	94-2413	2	U-Nut	26	119-9915	1	Pulley-Engine
12	3234-5	2	Screw-HHF	27	608006	1	Key-Square
13	119-2602	1	LH Console ASM	28	119-2658-01	1	Bracket-Stop, Clutch
14	119-2603	1	RH Console ASM	29	1-603610	1	Washer-Spring
14:2	107069	4	Clip	30	3212-10	1	Screw-HH
15	119-2694	1	Control Panel ASM	31	107-4136	1	Washer
15:2	119-2501	1	Decal-Panel, Control	32	112-7069	1	Grommet
15:3	114-4466	1	Decal-Fuses	33	1-303287	1	Tie-Cable
				34	1-653313	2	Gasket-Exhaust

● Not serviced separately

■ Obtain parts from www.kawpowerepc.com

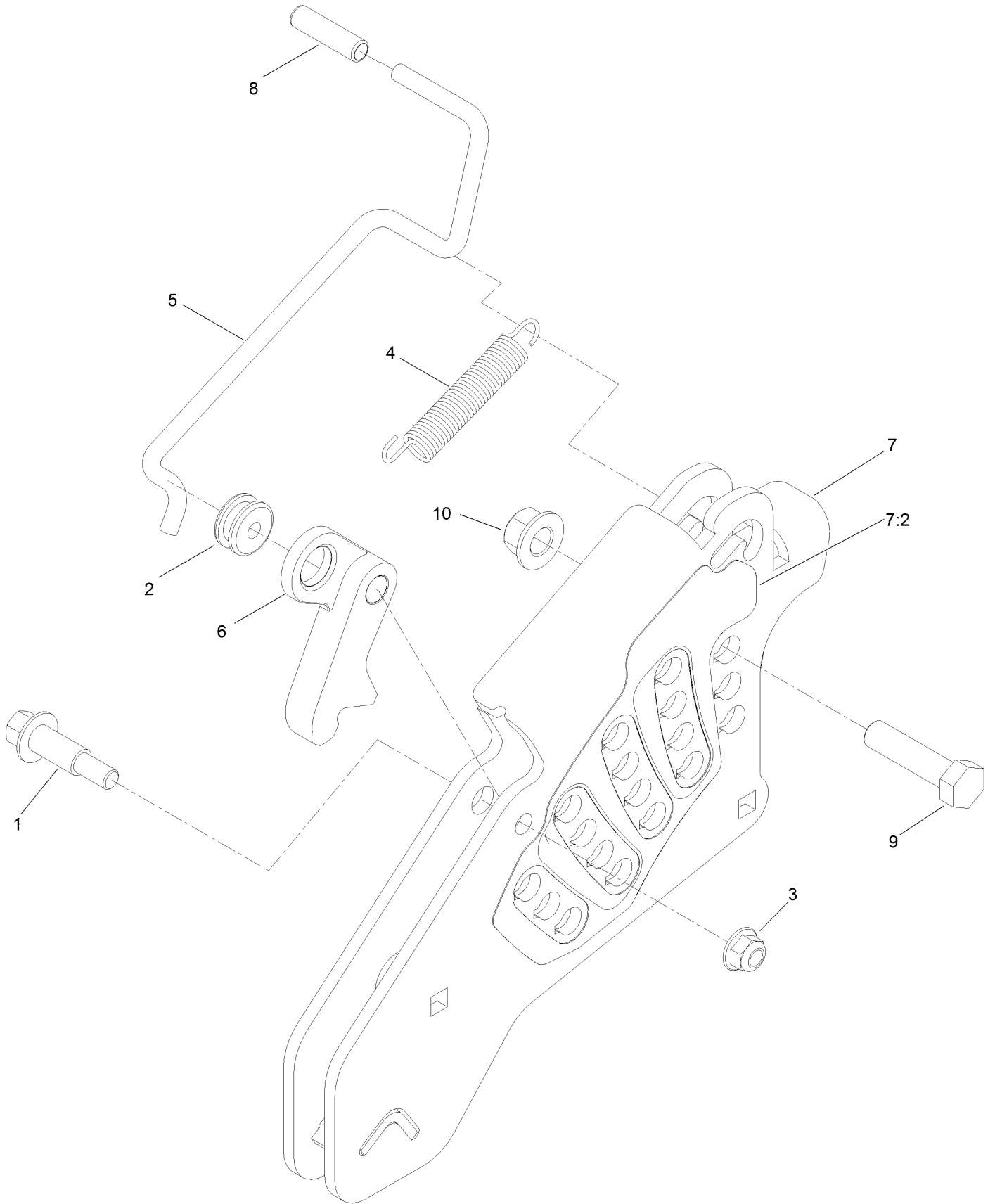
Deck Lift Assembly



Deck Lift Assembly (continued)

<i>Ref.</i>	<i>Part Number</i>	<i>Qty.</i>	<i>Description</i>	<i>Ref.</i>	<i>Part Number</i>	<i>Qty.</i>	<i>Description</i>
1	116-0780	2	Screw-HHF, Shoulder	19	109-9066	4	Yoke-Adjust, Deck
2	3296-23	1	Nut-Lock, NI	20	3218-2	8	Nut-Jam
3	3231-2	2	Bolt-CARR	21	116-0756	2	Deck Lift Chain ASM
4	116-0797-03	1	Link-Lift, Deck	21:1	1-633447	1	Chain-Lift, Deck
5	3256-28	2	Washer-Flat	21:2	109-9065	1	Screw-HH
6	116-0559	1	Bolt-TAP	21:3	32128-37	1	Nut-HF
7	120-2520	1	HOC ASM	22	322-47	4	Screw-HH
8	116-5584	1	Pin-HOC	23	109-9840	2	Screw-Shoulder, HHF
9	116-1700	4	Bolt-CARR	24	109-9065	1	Screw-HH
10	3231-5	4	Screw-CARR	25	116-0818-03	2	Support-Cross Shaft, Rear Bearing
11	104-8301	10	Nut-Flange, NI	26	109-7173	2	Bearing-Cross Shaft, Rear
12	3231-4	2	Screw-CARR	27	3256-4	4	Washer-Flat
13	109-9410	2	Bearing-Cross Shaft, Front	28	116-2428	4	Bushing-Flanged
14	109-9409	2	Support-Cross Shaft, Front Bearing	29	324-10	2	Screw-HH
15	99-5107	6	Nut-Lock	32	32128-37	6	Nut-HF
16	116-1919-01	1	Lever-Foot	33	121-7593-01	2	Spacer-Decklift, Front
17	116-0459-03	1	Lift-Deck, Rear	34	121-7594-01	2	Spacer-Decklift, Back
18	116-2217-03	1	Cross Shaft-Front				

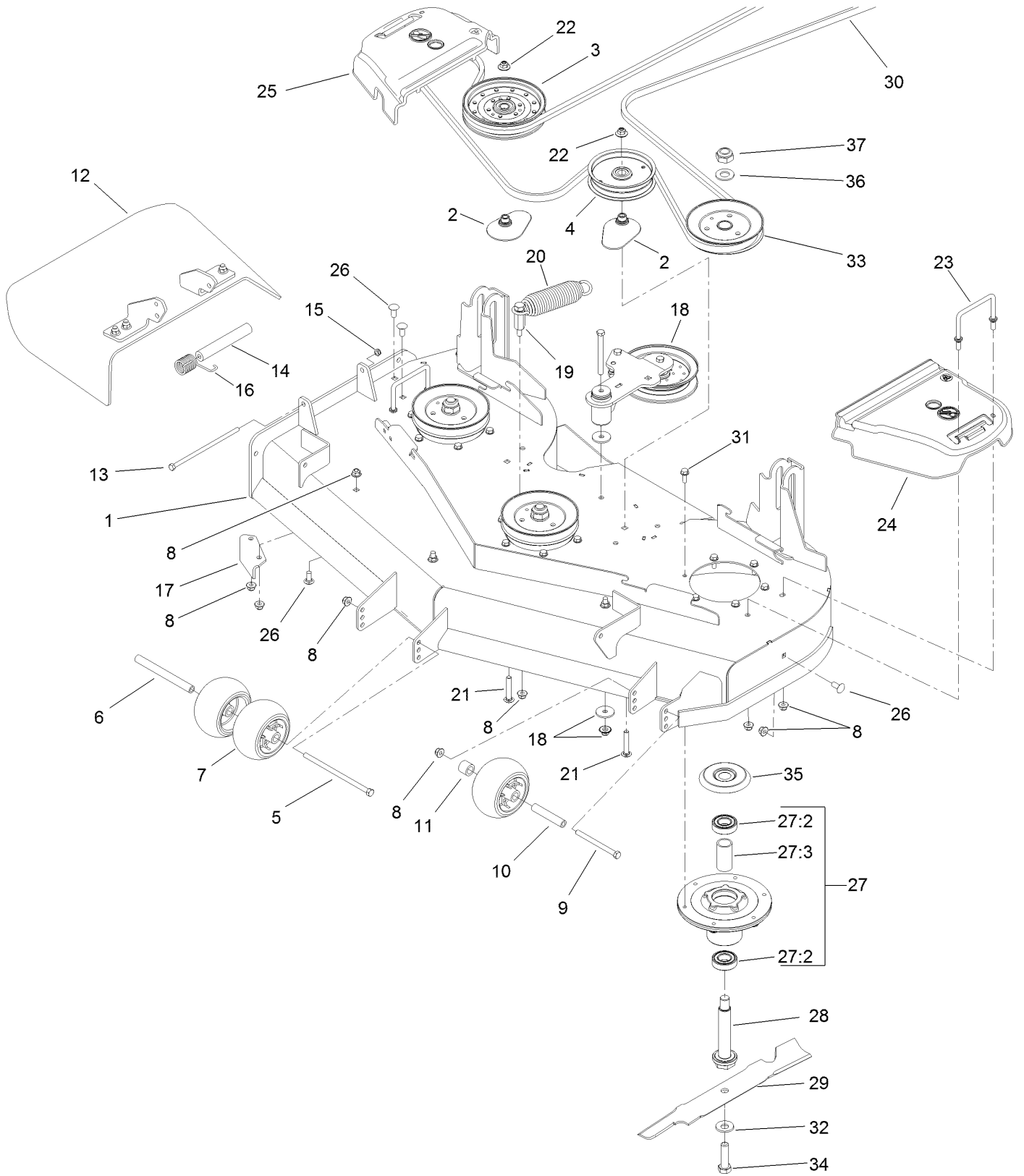
Height-of-Cut Assembly No. 120-2520



Height-of-Cut Assembly No. 120-2520 (continued)

<i>Ref.</i>	<i>Part Number</i>	<i>Qty.</i>	<i>Description</i>	<i>Ref.</i>	<i>Part Number</i>	<i>Qty.</i>	<i>Description</i>
1	62-1330	1	Bolt-Shoulder	7	120-2521	1	HOC Plate W/Decal ASM
2	109-7130	1	Grommet	7:2	120-2522	1	Decal-HOC
3	104-8301	1	Nut-Flange, NI	8	109-8250	1	Grip-Lever
4	109-7124	1	Spring-Extension	9	325-8	1	Screw-HH
5	109-7128	1	Rod-Lock, Transport	10	99-5107	1	Nut-Lock
6	116-0118	1	Pawl-Transport, HOC				

Deck Assembly

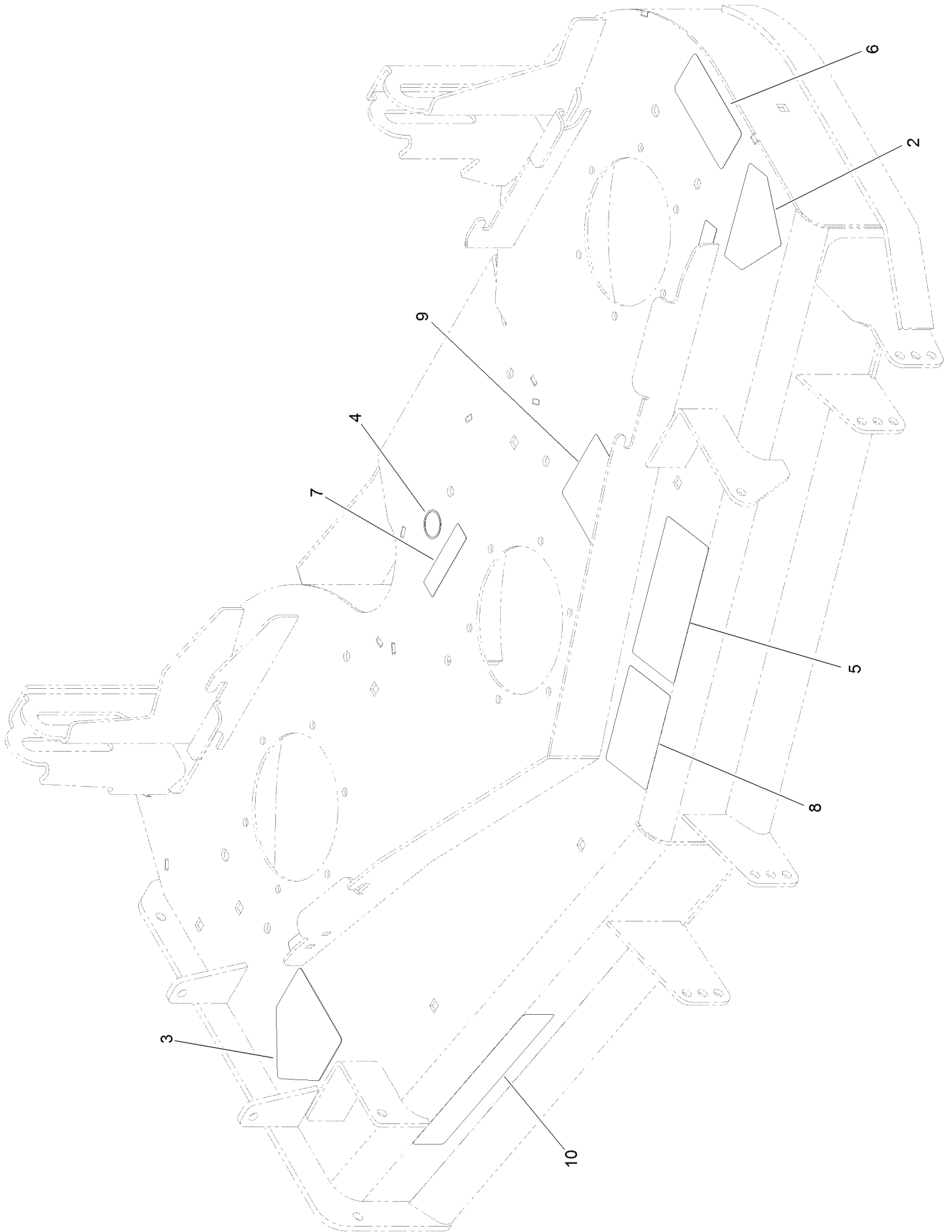


Deck Assembly (continued)

<i>Ref.</i>	<i>Part Number</i>	<i>Qty.</i>	<i>Description</i>	<i>Ref.</i>	<i>Part Number</i>	<i>Qty.</i>	<i>Description</i>
1	120-2441	1	Deck Decal ASM	21	3231-40	2	Bolt-CARR, Short Neck
2	109-2872	2	Spacer-Pulley	22	109-6658	2	Nut-Flange, NI
3	116-4670	1	Pulley-Idler, Flat	23	109-6982	2	Wireform-Cover
4	116-4665	1	Idler-Pulley, Flat	24	109-6936	1	Cover-Belt, LH
5	108-5388	1	Screw-HH	25	109-6935	1	Cover-Belt, RH
6	98-5967	1	Spacer-Wheel	26	3231-27	6	Screw-CARR
7	1-603299	3	Roller-Scalp, Anti	27	120-5477	3	Spindle ASM
8	104-8301	13	Nut-Flange, NI	27:2	116-0720	2	Bearing-Ball
9	323-23	1	Screw-HH	27:3	115-2641	1	Spacer-Bearing
10	98-7912	1	Tube-Spanner	28	120-2505	3	Spindle-Shaft
11	98-7913	1	Tube-Spacer	29	117-7277-03	3	Blade-Hi Flo, 16.50In
12	120-2451	1	Deflector ASM	30	119-9926	1	Belt-V
13	322-50	1	Screw-HH	31	32144-41	18	Screw-Taptite
14	105-4622	1	Spacer	32	125-1736	3	Washer-Belleville
15	3296-47	1	Nut-Lock, NI	33	120-7854	3	Pulley-B Section
16	108-4052	1	Spring-Torsion	34	51-4060	3	Screw-Blade
17	107-8541-01	1	Baffle-Discharge	35	117-7210	3	Shield-Bearing
18		1	Idler Arm ASM ●	36	92-5836	3	Washer
19	114-5867	1	Anchor-Spring, Tall	37	3296-67	3	Nut-Lock, NI
20	116-6317	1	Spring-Extension				

● Not serviced separately

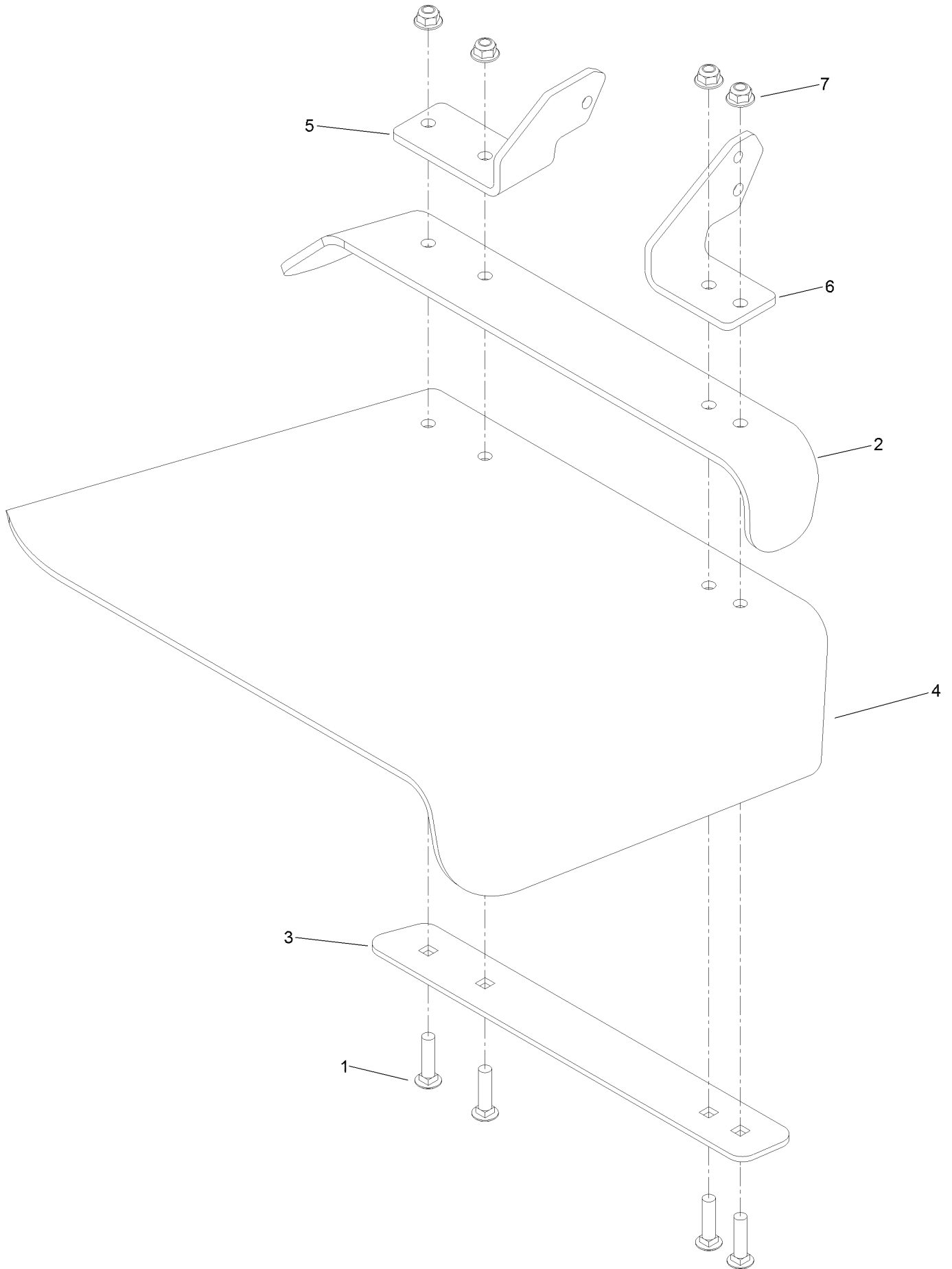
Deck Decal Assembly No. 120-2441



Deck Decal Assembly No. 120-2441 (continued)

<i>Ref.</i>	<i>Part Number</i>	<i>Qty.</i>	<i>Description</i>	<i>Ref.</i>	<i>Part Number</i>	<i>Qty.</i>	<i>Description</i>
2	1-403005	1	Decal-Danger	6	68-8340	1	Decal-Torque
3	54-9220	1	Decal-Danger	7	98-5954	3	Decal-Missing Cover
4	58-6520	1	Decal-Grease	8	112-3858	1	Decal-Anti Scalp
5	66-1340	1	Decal-Danger, Thrown Object	9	117-8639	1	Decal-Routing, Deck Belt
				10	121-3204	1	Decal

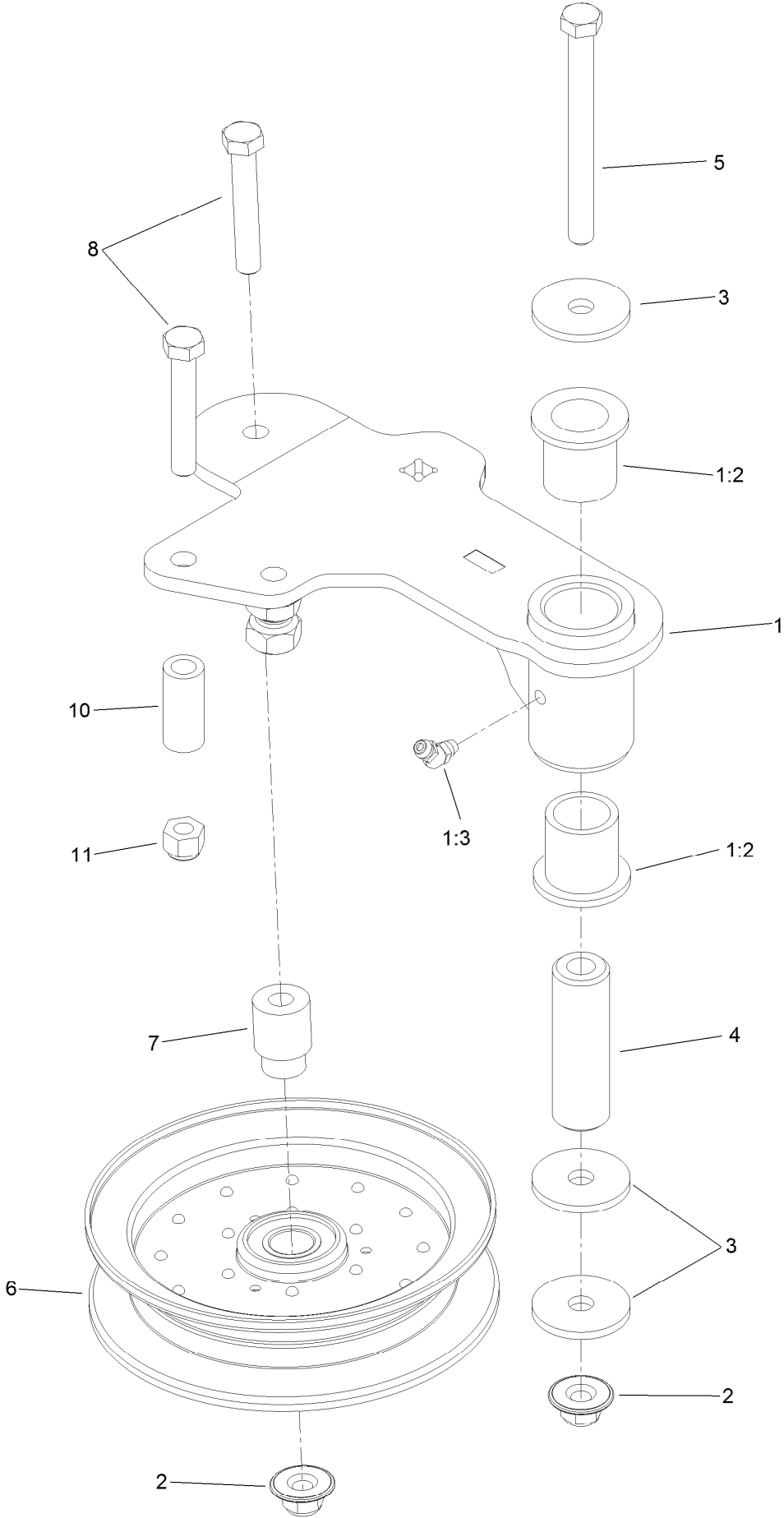
Deflector Assembly No. 120-2451



Deflector Assembly No. 120-2451 (continued)

<i>Ref.</i>	<i>Part Number</i>	<i>Qty.</i>	<i>Description</i>	<i>Ref.</i>	<i>Part Number</i>	<i>Qty.</i>	<i>Description</i>
1	3231-4	4	Screw-CARR	5	108-4059-01	1	Plate-Hinge, Rear
2	106-3246-01	1	Deflector	6	106-3253-01	1	Plate-Hinge, Front
3	106-3248-03	1	Strap-Discharge	7	104-8301	4	Nut-Flange, NI
4	110-0759	1	Deflector-Rubber				

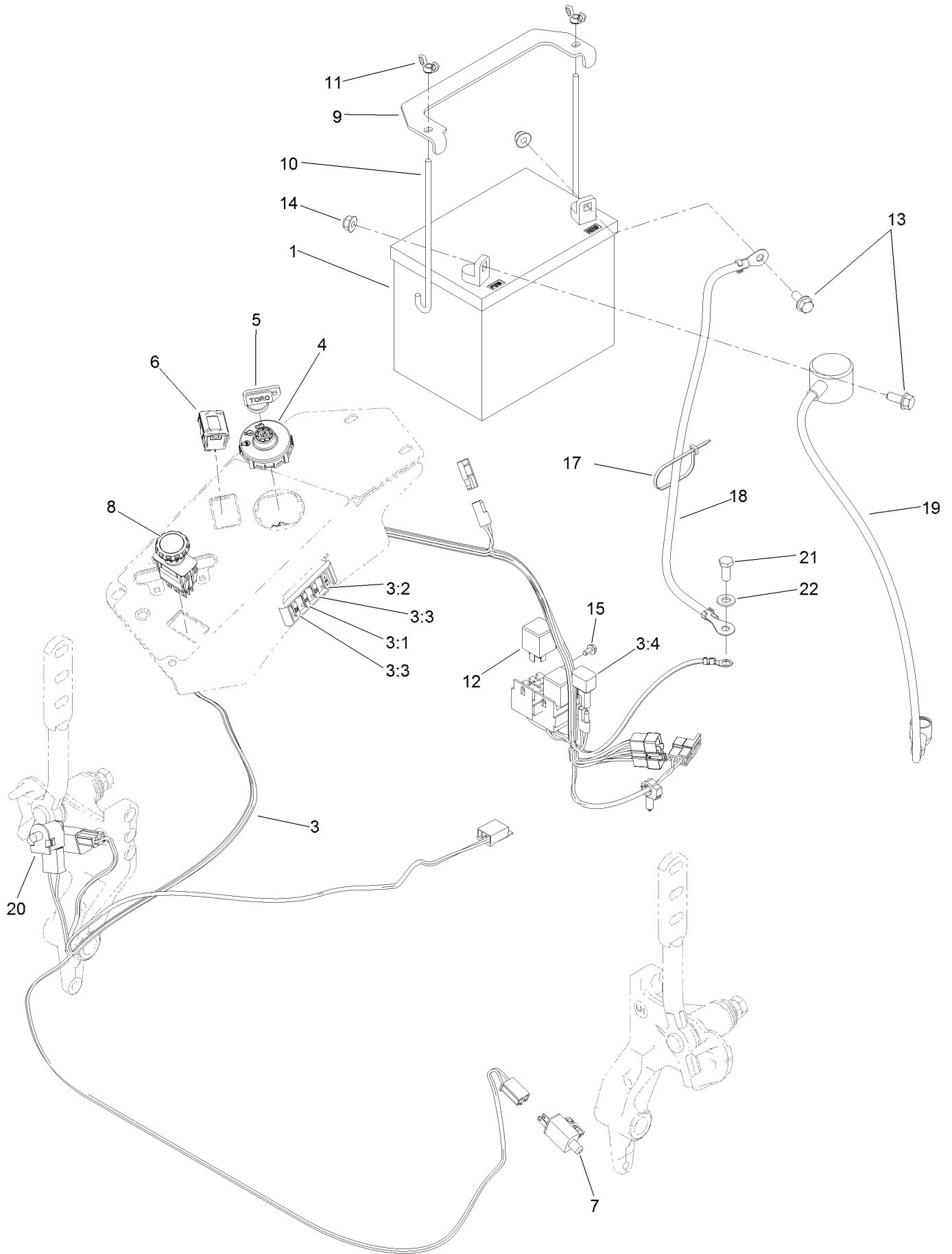
Idler Assembly



Idler Assembly (continued)

<i>Ref.</i>	<i>Part Number</i>	<i>Qty.</i>	<i>Description</i>	<i>Ref.</i>	<i>Part Number</i>	<i>Qty.</i>	<i>Description</i>
1	120-2501	1	Idler Arm ASM	5	98-5961	1	Screw-HH
1:2	1-303514	2	Bearing-Flanged	6	116-4668	1	Idler-Pulley, Flanged
1:3	1481	1	Fitting-Grease	7	112-4212	1	Mount-Pulley
2	109-6658	2	Nut-Flange, NI	8	323-11	2	Screw-HH
3	1-213069	3	Washer	10	104-0151	1	Spacer
4	114-5848	1	Spacer-Plain	11	3296-39	1	Nut-Lock, NI

Electrical Assembly



Electrical Assembly (continued)

<i>Ref.</i>	<i>Part Number</i>	<i>Qty.</i>	<i>Description</i>	<i>Ref.</i>	<i>Part Number</i>	<i>Qty.</i>	<i>Description</i>
1	104-8162	1	Battery-Dry	10	1-633651	2	Bolt-Holddown
3	117-2582	1	Harness-Wire	11	1-543792	2	Wingnut
3:1	218-578	1	Fuse-Blade, 10 Amp	12	1-643275	2	Relay
3:2	109355	1	Fuse-Blade, 15 Amp	13	3234-5	2	Screw-HHF
3:3	109102	2	Fuse-Blade, 25 Amp	14	104-8300	2	Nut-Flange, NI
3:4	116-0053	1	Cap-Plug	15	104-2065	1	Screw-HWH
4	117-2221	1	Switch-Ignition	17	1-303287	3	Tie-Cable
5	63-8360	1	Key-Ignition	18	114-1218	1	Cable-Battery, Negative
6	120-2244	1	Hourmeter	19	115-3864	1	Cable-Battery, Positive
7	110-6765	2	Switch-Single Pole No	20	82-2190	1	Switch-Bail
8	116-0124	1	Switch-PTO, 10A	21	33114-020	1	Screw-HH
9	116-0042-03	1	Strap-Tie Down, Battery	22	33094-00	1	Washer-Plain

Attachments and Accessories

For 74141 Z Master Commercial 2000 Series Riding Mower with 48in TURBO FORCE Side Discharge Mower

Product Name	Model/Part
Hypr-Oil 500 (quart)	114-4713
Hypr-Oil 500 (gallon).....	114-4714
Hypr-Oil 500-5 (5 gallon).....	114-4715
Bimini Folding Shade Assembly	115-4510
Light Kit.....	116-1154
Operator-Controlled Discharge Chute Kit	117-3600
Blade-Hi Flo, 16.50in	117-7277-03
Blade-Mulch, 16.50in.....	117-7278-03
Recycler Kit	120-2401
Z Stand Kit.....	121-4811
Deluxe Seat Kit	121-7595
MVP Filter, Belt and Blade Kit	127-1631
Toro Deluxe Rider Cover.....	490-7319
Spark Arrestor Screen	75-6880
E-Z VAC Twin Soft Bagger.....	78569
E-Z Vac Blower and Drive Kit.....	78571
Filter Minder Gauge	99-4664
Trash Holder Kit.....	TC26

Notes:

Notes:

Notes:



Count on it.