



**Count on it.**

**Parts Catalog**

**TimeCutter® ZS 5000TF Riding Mower**

Model No. 74395—Serial No. 314000001 and Up



# Ordering Replacement Parts

To order replacement parts, please supply the part number, the quantity, and the description of each part desired.

## Understanding Reference Numbers

Each identified part in an illustration has a reference number. The reference number for a part also appears in the parts list, along with other information about the part.

This catalog uses two special reference number formats, one to indicate parts in a service assembly and another to indicate the quantity of a given part in an illustration.

## Service Assembly Reference Numbers

Parts in service assemblies have reference numbers in the form a:b. The a represents the reference number of the entire service assembly and the b represents a sequential number unique to each part within the service assembly.

For example, a wheel assembly might be identified by reference number 6, the tire by 6:1, the valve by 6:2, and the wheel by 6:3. When you order the assembly identified by reference number 6, you receive all parts identified by reference numbers 6:1, 6:2, and 6:3. However, you may also order any part individually. Reference numbers of this type appear in illustration and in parts lists.

## Reference Numbers Indicating Quantity

In an illustration, if a reference number indicates more than one part, the reference number has the form nX y. The n represents the quantity of the part, the X is the multiplication symbol, and the y represents the reference number.

For example, in an illustration, the reference number 2X 37 means that two of the parts identified by reference number 37 are indicated.

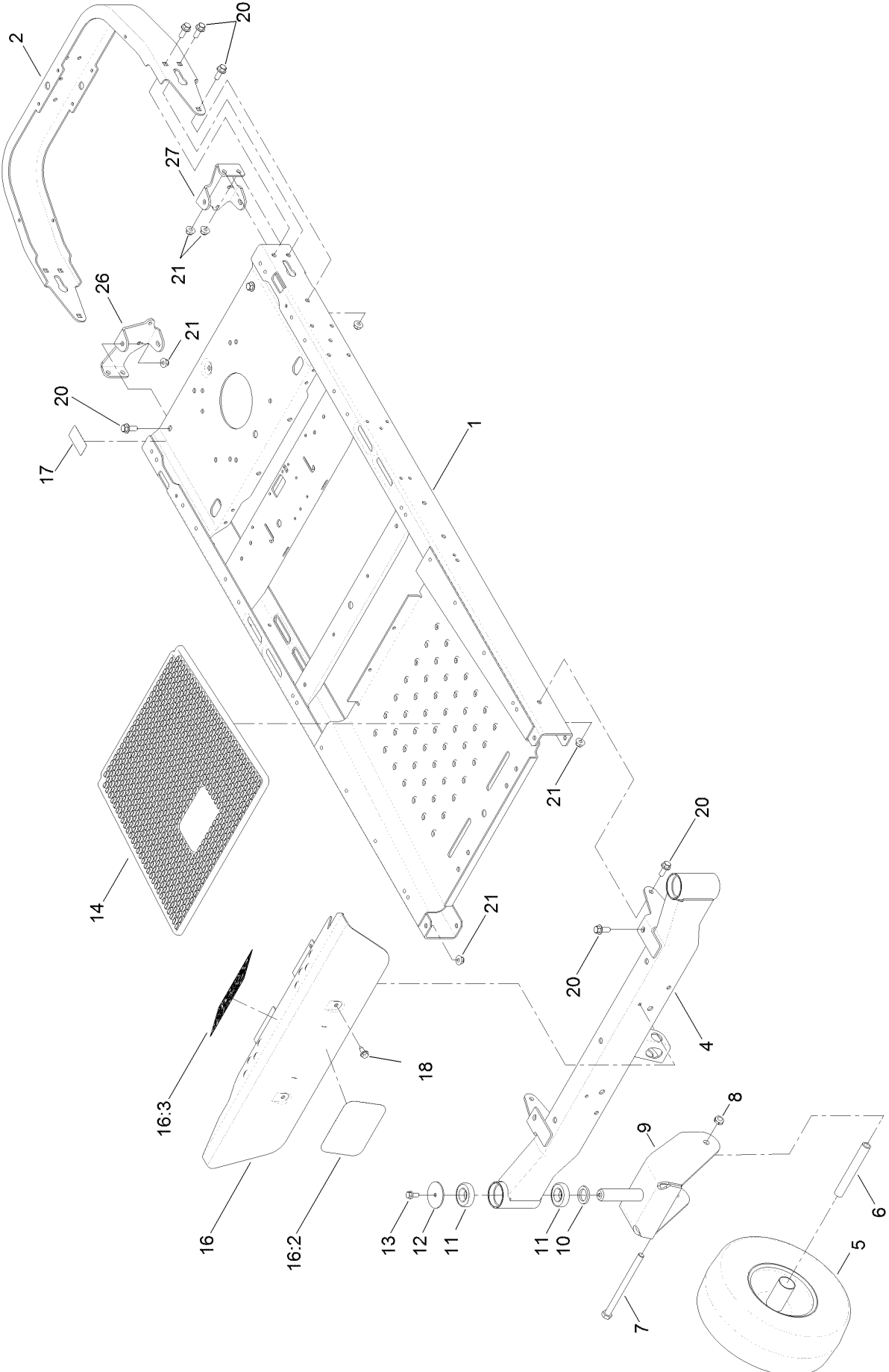
# List of Abbreviations

<b>AR:</b> as required	<b>HLH:</b> hex lag head	<b>PTO:</b> power-take-off
<b>ASM:</b> assembly	<b>HOC:</b> height-of-cut	<b>RH:</b> right hand
<b>BBC:</b> blade brake control	<b>HSBH:</b> hex socket button head	<b>ROPS:</b> roll-over protection system
<b>BHTF:</b> button head thread forming	<b>HSFH:</b> hex socket flat head	<b>RRB:</b> rear roller brush
<b>CARR:</b> carriage	<b>HSH:</b> hex socket head	<b>SFH:</b> slotted fillister head
<b>CCW:</b> counter clockwise	<b>HWH:</b> hex washer head	<b>SHH:</b> slotted hex head
<b>CW:</b> clockwise	<b>HWHTF:</b> hex washer head thread forming	<b>SHWH:</b> slotted hex washer head
<b>DEG:</b> degrees	<b>HYD:</b> hydraulic	<b>SPH:</b> slotted pan head
<b>DPA:</b> Dual Point Adjustment	<b>LH:</b> left hand	<b>SQH:</b> square head
<b>ECM:</b> electronic control module	<b>LP:</b> Liquefied Petroleum Gas	<b>SRH:</b> slotted round head
<b>EXT:</b> external	<b>LPG:</b> Liquefied Petroleum Gas	<b>STD:</b> standard
<b>FH:</b> flat head	<b>NI:</b> nylon insert	<b>TAP:</b> self tapping
<b>GA:</b> gauge	<b>NPTF:</b> national pipe thread fine	<b>TTH:</b> torx truss head
<b>HD:</b> heavy-duty	<b>PFH:</b> phillips flat head	
<b>HF:</b> hex flange	<b>PPH:</b> phillips pan head	
<b>HH:</b> hex head	<b>PPHTF:</b> phillips pan head thread forming	
<b>HHF:</b> hex head flange	<b>PRH:</b> phillips round head	
<b>HHFTF:</b> hex head flange thread forming	<b>PTH:</b> phillips truss head	
<b>HJ:</b> hex jam		

# Contents

Frame, Front Axle and Caster Wheel Assembly .....	4
13 Inch Wheel and Tire Assembly No. 119-3473 .....	6
Motion Control Assembly .....	8
Belt and Pulley Assembly .....	10
Hydro Transaxle Assembly .....	12
Right Hand Hydro Transaxle Assembly No. 119-3361 .....	14
Left Hand Hydro Transaxle Assembly No. 119-3360 .....	16
Clutch Assembly .....	18
Engine and Muffler Assembly .....	20
Body Styling and Fuel Pod Assembly .....	22
Fuel Delivery Assembly .....	24
Battery and Electrical Assembly .....	26
Seat Assembly .....	28
Deck Lift Assembly .....	30
50 Inch Deck Assembly .....	32
50 Inch Deck and Decal Assembly No. 121-0734 .....	34
50 Inch Deck, Belt and Mulch Blade Assembly .....	36
Attachments and Accessories .....	38

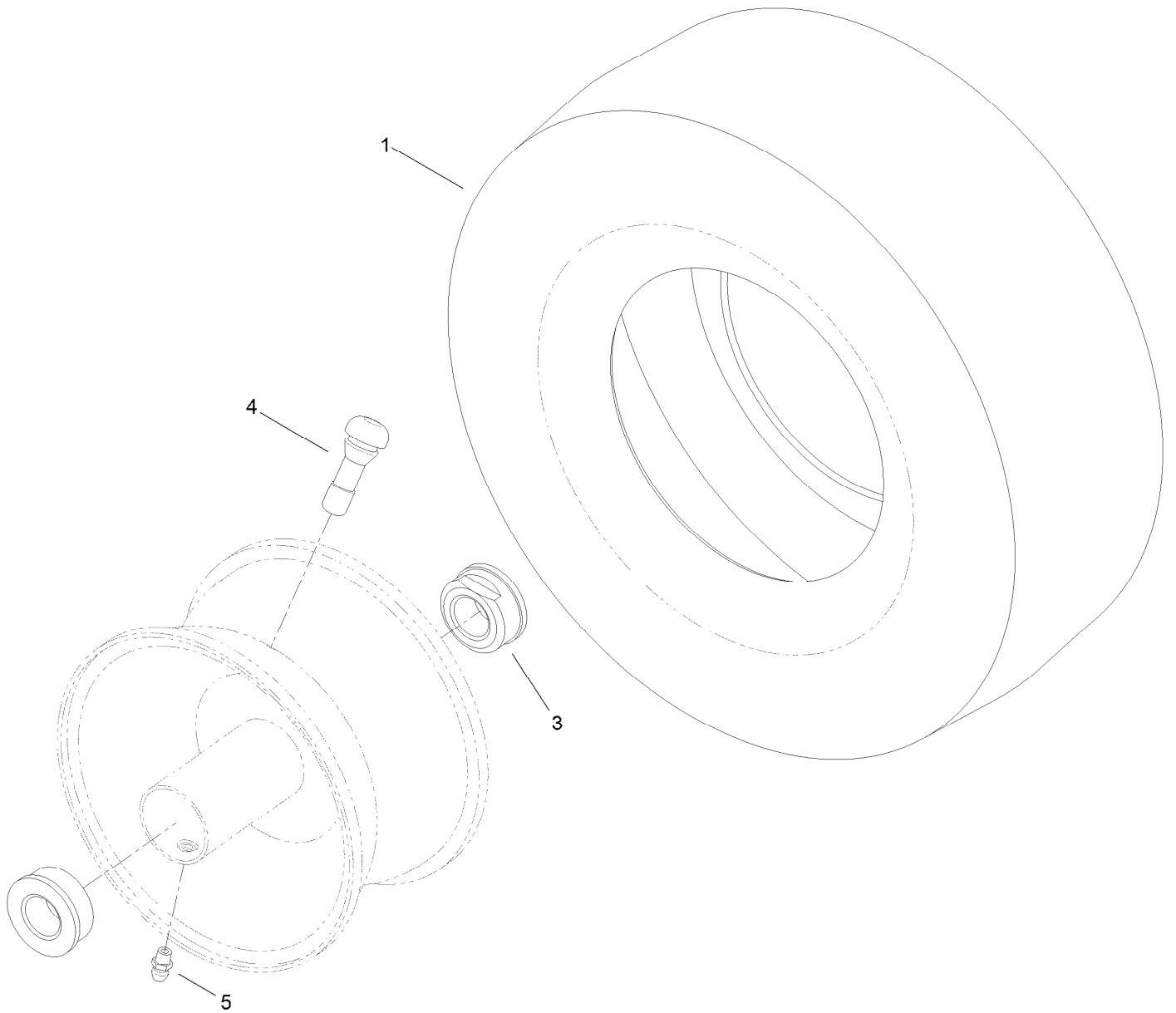
# Frame, Front Axle and Caster Wheel Assembly



## Frame, Front Axle and Caster Wheel Assembly (continued)

<i>Ref.</i>	<i>Part Number</i>	<i>Qty.</i>	<i>Description</i>	<i>Ref.</i>	<i>Part Number</i>	<i>Qty.</i>	<i>Description</i>
1	120-7963-01	1	Frame	13	3234-47	2	Screw-HHF
2	117-7415-01	1	Bumper-Rear (Wide)	14	120-5454	1	Mat-Floor
4	121-5683-01	1	Axle-Front (Wide)	16	125-0074	1	Footrest ASM
5	119-3473	2	13 Inch Wheel And Tire ASM	16:2	99-4693	1	Decal
6	119-3475	2	Spanner	16:3	120-2239	1	Decal-Danger
7	325-37	2	Screw-HH	17	121-2989	2	Decal-Bypass
8	3296-45	2	Nut-Lock, NI	18	32144-70	2	Screw-HWHTF
9	119-3349-01	2	Fork-Caster (Wide)	20	3234-42	14	Screw-HHF
10	117-7394	2	Washer-Thrust	21	104-8301	14	Nut-Flange, NI
11	109-3678	4	Bearing-Ball	26	121-0737-01	1	Mount-Hydro, Rear (RH)
12	119-8915	2	Washer	27	121-0738-01	1	Mount-Hydro, Rear (LH)

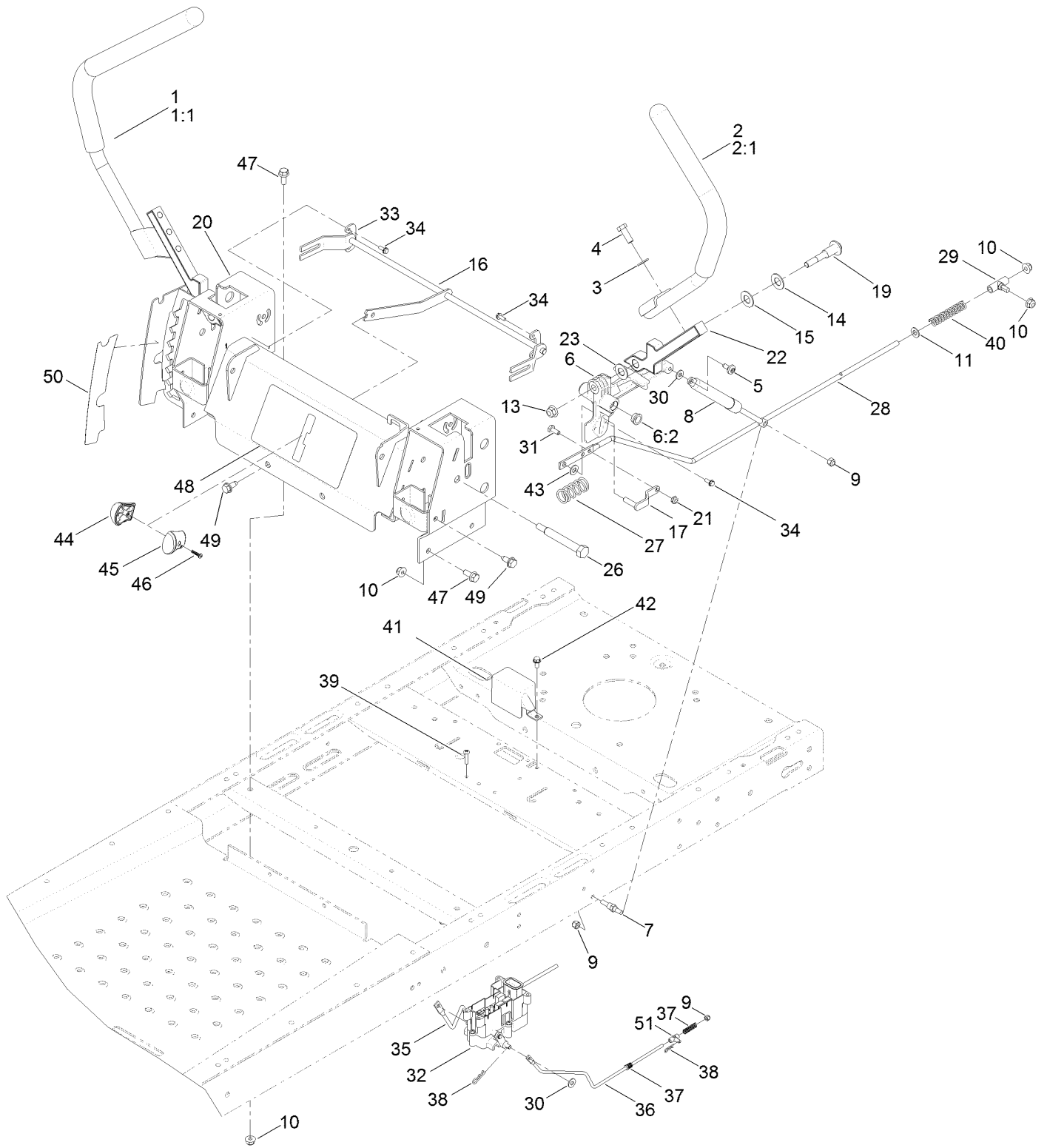
# 13 Inch Wheel and Tire Assembly No. 119-3473



# 13 Inch Wheel and Tire Assembly No. 119-3473 (continued)

<i>Ref.</i>	<i>Part Number</i>	<i>Qty.</i>	<i>Description</i>	<i>Ref.</i>	<i>Part Number</i>	<i>Qty.</i>	<i>Description</i>
1	119-3471	1	Tire-13 Inch	4	232-27	1	Stem-Valve
3	114-1640	2	Bushing-Flange	5	302-5	1	Fitting-Grease

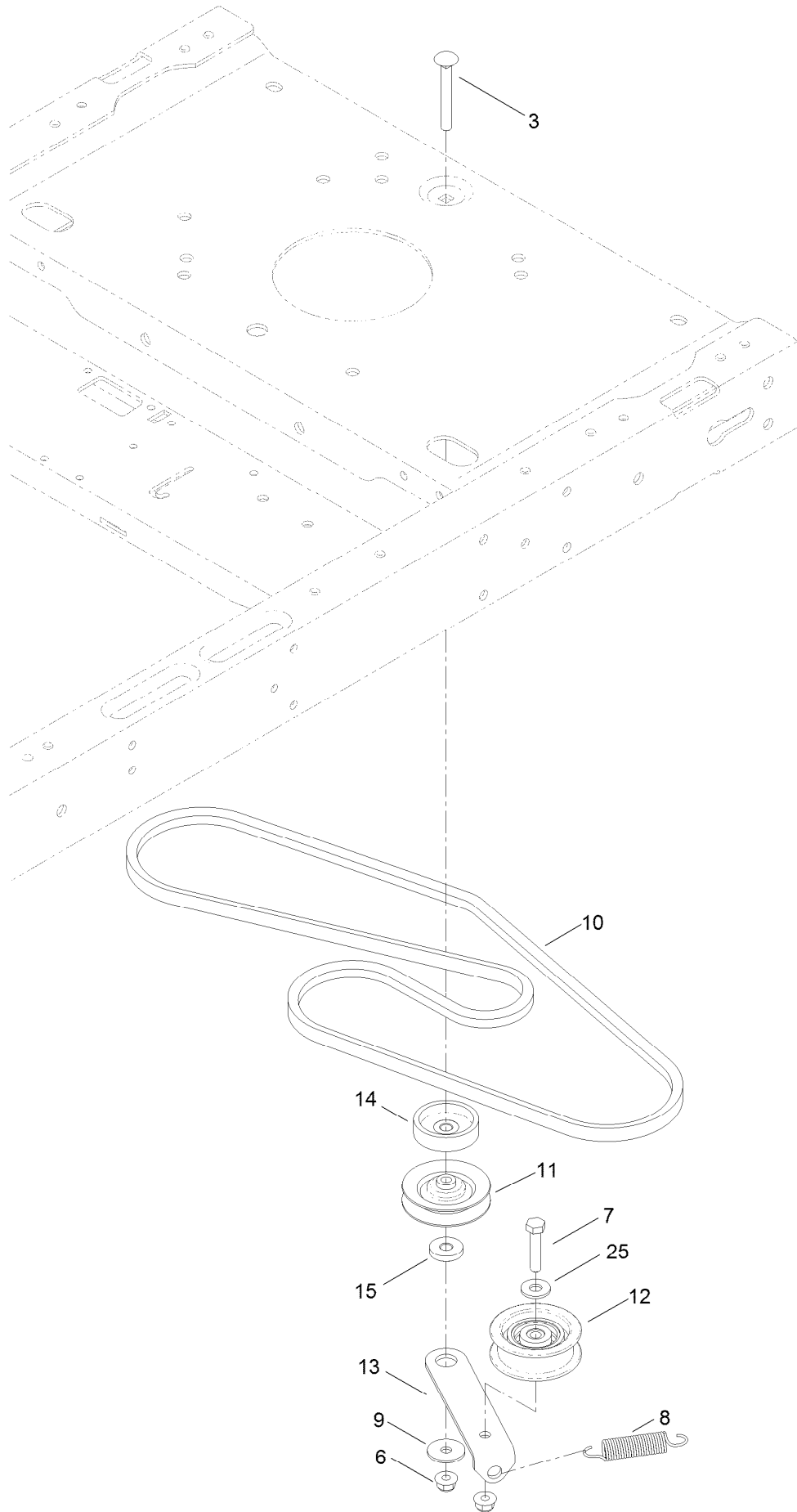
# Motion Control Assembly



## Motion Control Assembly (continued)

<i>Ref.</i>	<i>Part Number</i>	<i>Qty.</i>	<i>Description</i>	<i>Ref.</i>	<i>Part Number</i>	<i>Qty.</i>	<i>Description</i>
1	121-0731	1	Handle-Control, RH	27	119-8876	2	Spring-Return
1:1	121-0726	1	Grip	28	117-5388	2	Rod-Hydro
2	121-0730	1	Handle-Control, LH	29	119-8842	2	Mount-Rod, Hydro
2:1	121-0726	1	Grip	30	119-8952	4	Washer
3	3256-24	4	Washer-Flat	31	321-3	2	Screw-HH
4	323-6	4	Screw-HH	32	121-3017	1	Brake Control Module ASM
5	120-7950	2	Screw-Shoulder	33	117-5385	2	Retainer
6	119-3470	2	Actuator Arm ASM	34	32144-1	4	Screw-Taptite
6:2	256-156	2	Bushing-Flange	35	119-8811	1	Rod-Brake, RH
7	110-6810	2	Stud-Damper	36	119-8812	1	Rod-Brake, LH
8	103-2913	2	Damper-Control, Motion	37	121-5654	4	Spring-Compression
9	3296-42	6	Nut-Lock, NI	38	3290-307	4	Pin-Hair
10	104-8300	10	Nut-Flange, NI	39	32144-36	4	Screw-PPH
11	3256-23	2	Washer-Flat	40	1-603807	2	Spring-Return, Neutral
13	104-8301	4	Nut-Flange, NI	41	119-8859	1	Cover-Brake
14	119-8925	2	Washer-Belleville	42	32144-4	1	Screw-HWH
15	117-1240	2	Washer	43	93-6079	2	Spacer-Nylon
16	119-3300	1	Control-Speed	44	119-8935	1	Knob-RH
17	119-3303	2	Pin-Rod, Hydro	45	119-8936	1	Knob-LH
19	117-1198	2	Bolt-Pivot	46	94-4496	1	Screw-PPH
20	125-5474-03	1	Wide Control Box ASM	47	3234-47	6	Screw-HHF
21	3296-56	2	Nut-Lock, NI	48	120-5468	1	Decal-Speed Control
22	115-5098-05	2	Lever-Control	49	32144-70	4	Screw-HWHTF
23	120-2273	2	Washer-Nylon	50	120-5470	1	Decal-HOC
26	115-5099	2	Bolt-Pivot	51	119-8857	2	Mount-Pivot

# Belt and Pulley Assembly



## Belt and Pulley Assembly (continued)

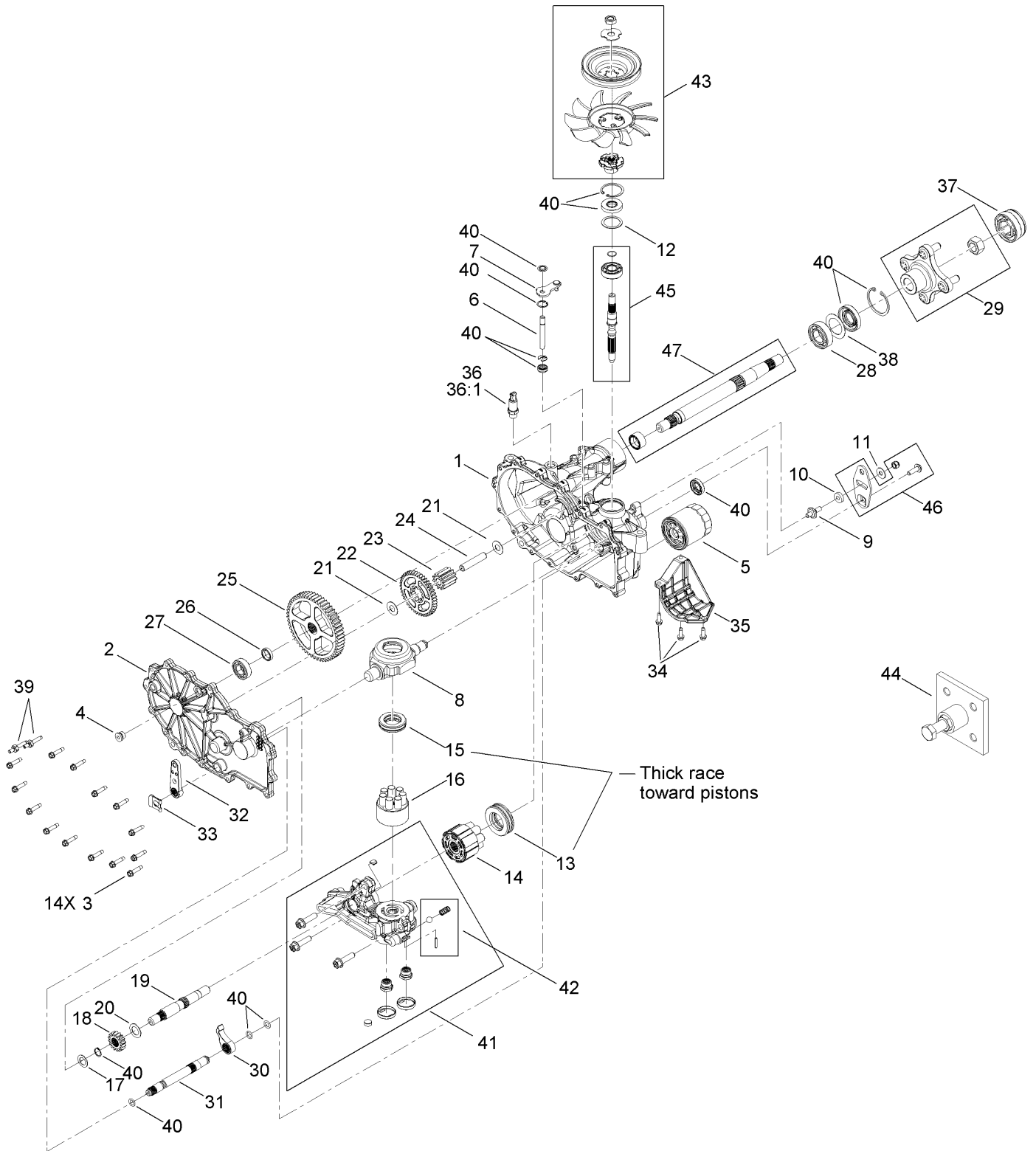
<i>Ref.</i>	<i>Part Number</i>	<i>Qty.</i>	<i>Description</i>	<i>Ref.</i>	<i>Part Number</i>	<i>Qty.</i>	<i>Description</i>
3	3230-8	1	Screw-CARR	11	119-8822	1	Pulley-Idler
6	104-8300	2	Nut-Flange, NI	12	106-2176	1	Pulley-Idler
7	322-7	1	Screw-HH	13	119-3326	1	Arm-Idler
8	104-6415	1	Spring-Return, Pedal	14	119-3353	1	Spacer
9	5-4460	1	Washer-Pivot	15	119-3327	1	Spacer-Arm, Idler
10	119-3321	1	V-Belt	25	3256-3	1	Washer-Flat



## Hydro Transaxle Assembly (continued)

<i>Ref.</i>	<i>Part Number</i>	<i>Qty.</i>	<i>Description</i>	<i>Ref.</i>	<i>Part Number</i>	<i>Qty.</i>	<i>Description</i>
1	119-3361	1	RH Hydro Transaxle ASM	20	323-11	2	Screw-HH
2	119-3360	1	LH Hydro Transaxle ASM	21	121-0748-01	1	Mount-Hydro
4	322-11	4	Screw-HH	22	3234-29	6	Screw-HHF
5	322-14	4	Screw-HH	23	3290-307	2	Pin-Hair
6	104-8300	14	Nut-Flange, NI	24	120-7968	1	Rod-Bypass, RH
16	109-5268	2	Wheel And Tire ASM	29	119-8952	4	Washer
16:1	109-5270	1	Wheel	30	3256-23	6	Washer-Flat
16:2	109-5269	1	Tire	31	120-7918	2	Plate-Hydro Mount
16:3	232-27	1	Stem-Valve	32	121-0749	2	Tab-Hydro
16:4	93-3893	1	Tube-Inner	33	3231-2	2	Bolt-CARR
17	242-50	8	Nut-Lug	34	104-8301	4	Nut-Flange, NI
18	121-0745-01	2	Mount-Hydro	35	104-7201	4	Nut-HF
19	121-2965	1	Rod-Bypass, LH				

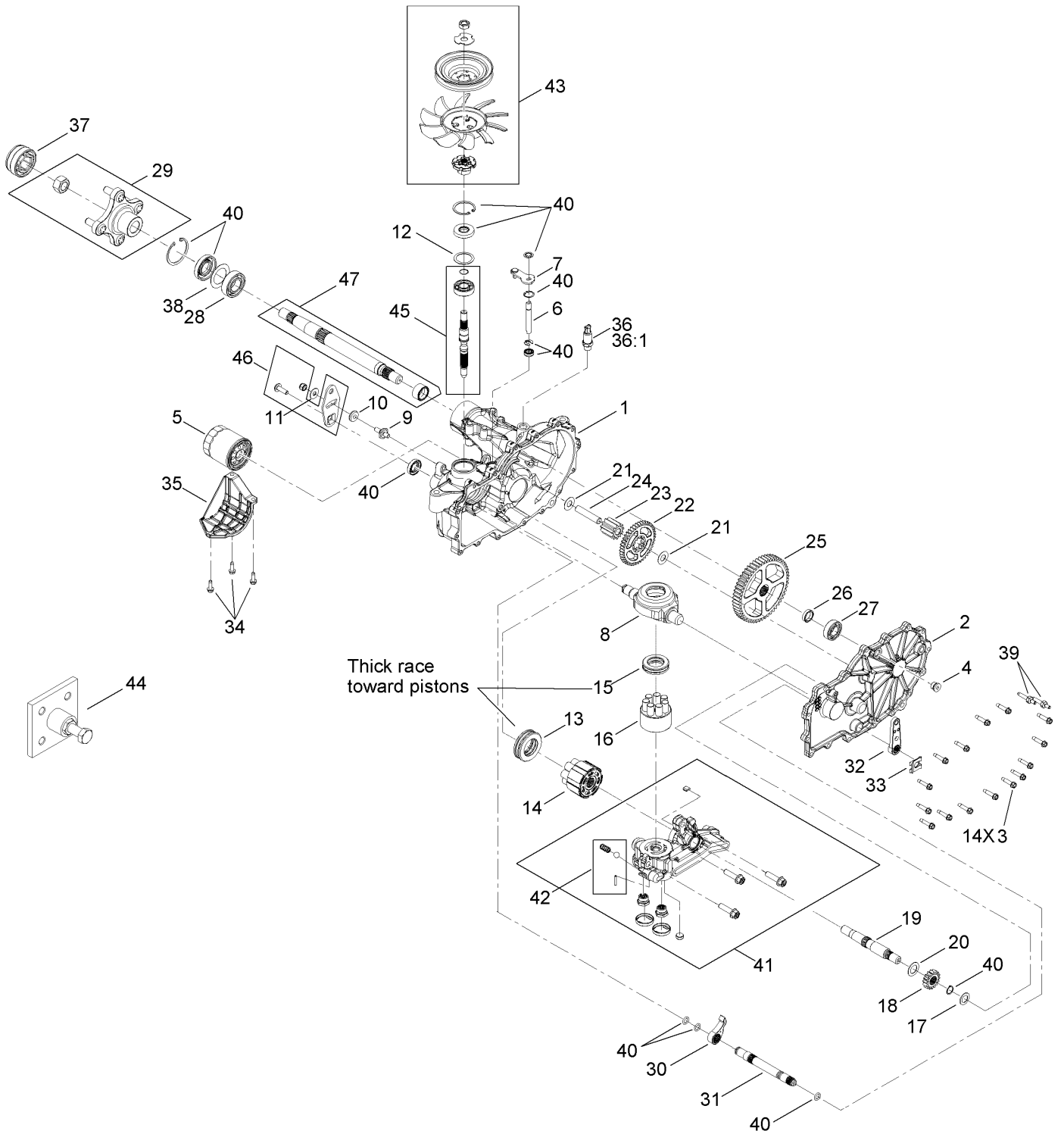
# Right Hand Hydro Transaxle Assembly No. 119-3361



# Right Hand Hydro Transaxle Assembly No. 119-3361 (continued)

<i>Ref.</i>	<i>Part Number</i>	<i>Qty.</i>	<i>Description</i>	<i>Ref.</i>	<i>Part Number</i>	<i>Qty.</i>	<i>Description</i>
1	121-5748	1	Main Housing Kit	25	114-1694	1	Gear-54T
2	114-8472	1	Side Cover Kit	26	120-7975	1	Spacer
3	117-5359	14	Screw-HHF	27	114-1696	1	Bearing-Ball
4	104-2189	1	Plug-Thread, Straight	28	120-7976	1	Bearing-Ball
5	109-3321	1	Element-Oil Filter, HYD	29	109-5939	1	Hub Kit
6	114-1685	1	Rod-Bypass	30	114-1697	1	Pawl-Brake
7	107-2490	1	Arm-Bypass	31	114-1698	1	Shaft-Inboard Brake
8	104-5304	1	Swashplate-Trunnion	32	114-1699	1	Handle-Brake
9	104-2116	1	Stud	33	114-8450	1	Clip-Retaining
10	112-9853	1	Puck-Friction	34	104-2120	3	Screw
11	114-8491	1	Washer	35	120-7979	1	Guard-Filter, LH
12	104-5308	1	Spacer	36	109-3278	1	Adapter-Straight
13	112-4154	1	Bearing-Thrust	36:1	1-603921	1	O-Ring
14	114-1689	1	Motor Cylinder Block Kit	37	115-5057	1	Cover-Nut, Axle
15	94-6922	1	Bearing-Thrust	38	121-5745	1	Spacer
16	110-8561	1	Pump Block ASM	39	125-0035	2	Stud
17	104-5339	1	Washer-Flat	40	109-3537	1	Complete Seal Kit
18	121-5749	1	Gear-16T, Steel	41	125-0036	1	Center Section Kit
19	114-1691	1	Shaft-Motor	42	114-8464	1	Charge Relief Kit
20	104-5360	1	Washer	43	121-5746	1	Fan Pulley Kit
21	94-1933	2	Washer	44	114-8467	1	Hub-Puller, 4 Bolt
22	125-0000	1	Gear-43T	45	114-8468	1	Input Shaft Kit
23	114-1693	1	Gear-11T	46	117-5362	1	Arm Control Kit
24	104-5329	1	Pin-Jackshaft	47	114-8470	1	Axle Shaft Kit

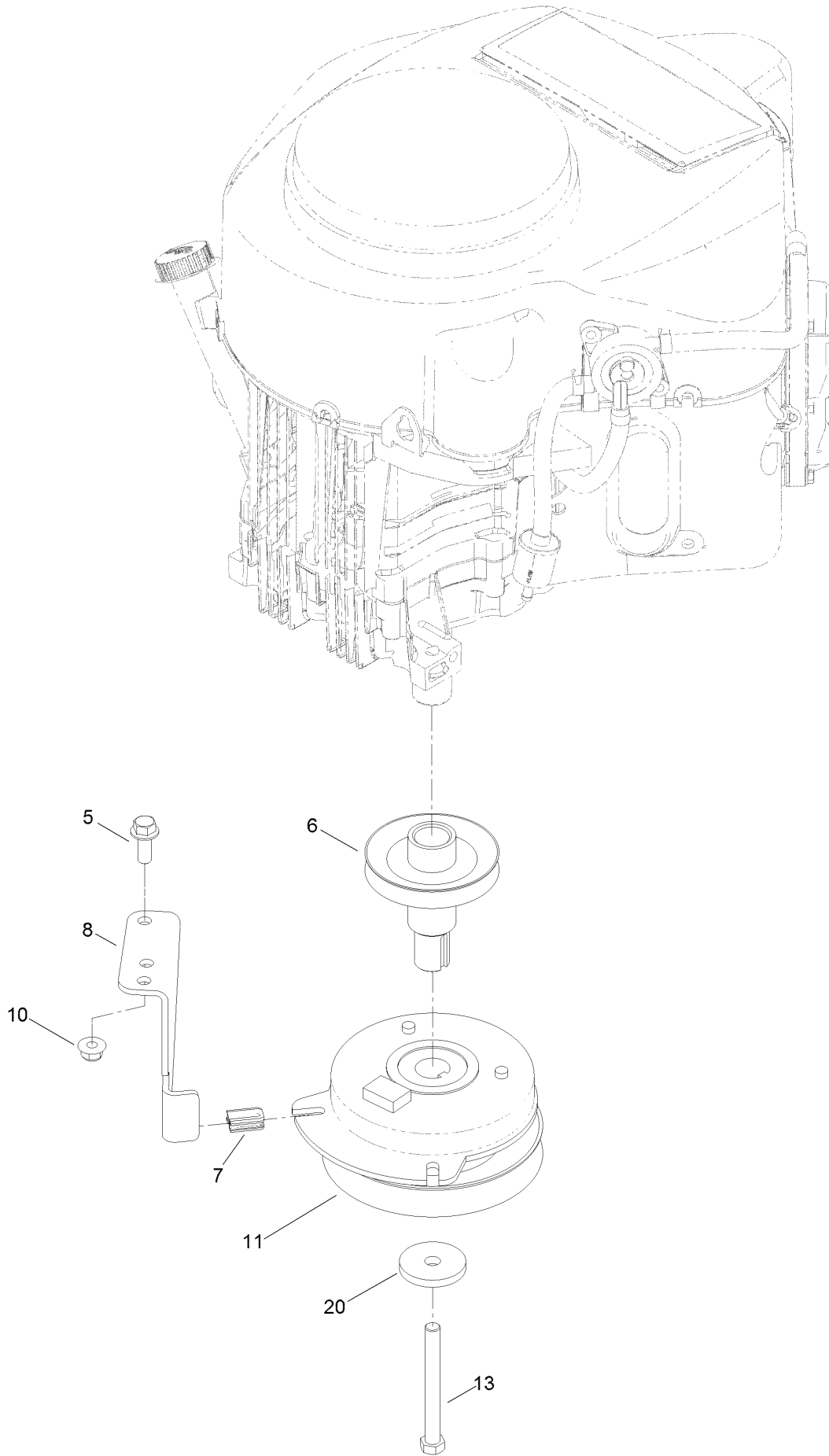
# Left Hand Hydro Transaxle Assembly No. 119-3360



# Left Hand Hydro Transaxle Assembly No. 119-3360 (continued)

<i>Ref.</i>	<i>Part Number</i>	<i>Qty.</i>	<i>Description</i>	<i>Ref.</i>	<i>Part Number</i>	<i>Qty.</i>	<i>Description</i>
1	125-0037	1	Main Housing Kit	25	114-1694	1	Gear-54T
2	117-5358	1	Housing Side Kit	26	120-7975	1	Spacer
3	117-5359	14	Screw-HHF	27	114-1696	1	Bearing-Ball
4	104-2189	1	Plug-Thread, Straight	28	120-7976	1	Bearing-Ball
5	109-3321	1	Element-Oil Filter, HYD	29	109-5939	1	Hub Kit
6	114-1685	1	Rod-Bypass	30	114-1697	1	Pawl-Brake
7	112-9852	1	Arm-Bypass	31	114-1698	1	Shaft-Inboard Brake
8	104-5304	1	Swashplate-Trunnion	32	114-1699	1	Handle-Brake
9	104-2116	1	Stud	33	114-8450	1	Clip-Retaining
10	112-9853	1	Puck-Friction	34	104-2120	3	Screw
11	114-8491	1	Washer	35	120-7981	1	Guard-Filter, RH
12	104-5308	1	Spacer	36	109-3278	1	Adapter-Straight
13	112-4154	1	Bearing-Thrust	36:1	1-603921	1	O-Ring
14	114-1689	1	Motor Cylinder Block Kit	37	115-5057	1	Cover-Nut, Axle
15	94-6922	1	Bearing-Thrust	38	121-5745	1	Spacer
16	110-8561	1	Pump Block ASM	39	125-0035	2	Stud
17	104-5339	1	Washer-Flat	40	109-3537	1	Complete Seal Kit
18	121-5749	1	Gear-16T, Steel	41	114-8463	1	RH Center Section Kit
19	114-1691	1	Shaft-Motor	42	114-8464	1	Charge Relief Kit
20	104-5360	1	Washer	43	121-5746	1	Fan Pulley Kit
21	94-1933	2	Washer	44	114-8467	1	Hub-Puller, 4 Bolt
22	125-0000	1	Gear-43T	45	114-8468	1	Input Shaft Kit
23	114-1693	1	Gear-11T	46	117-5362	1	Arm Control Kit
24	104-5329	1	Pin-Jackshaft	47	114-8470	1	Axle Shaft Kit

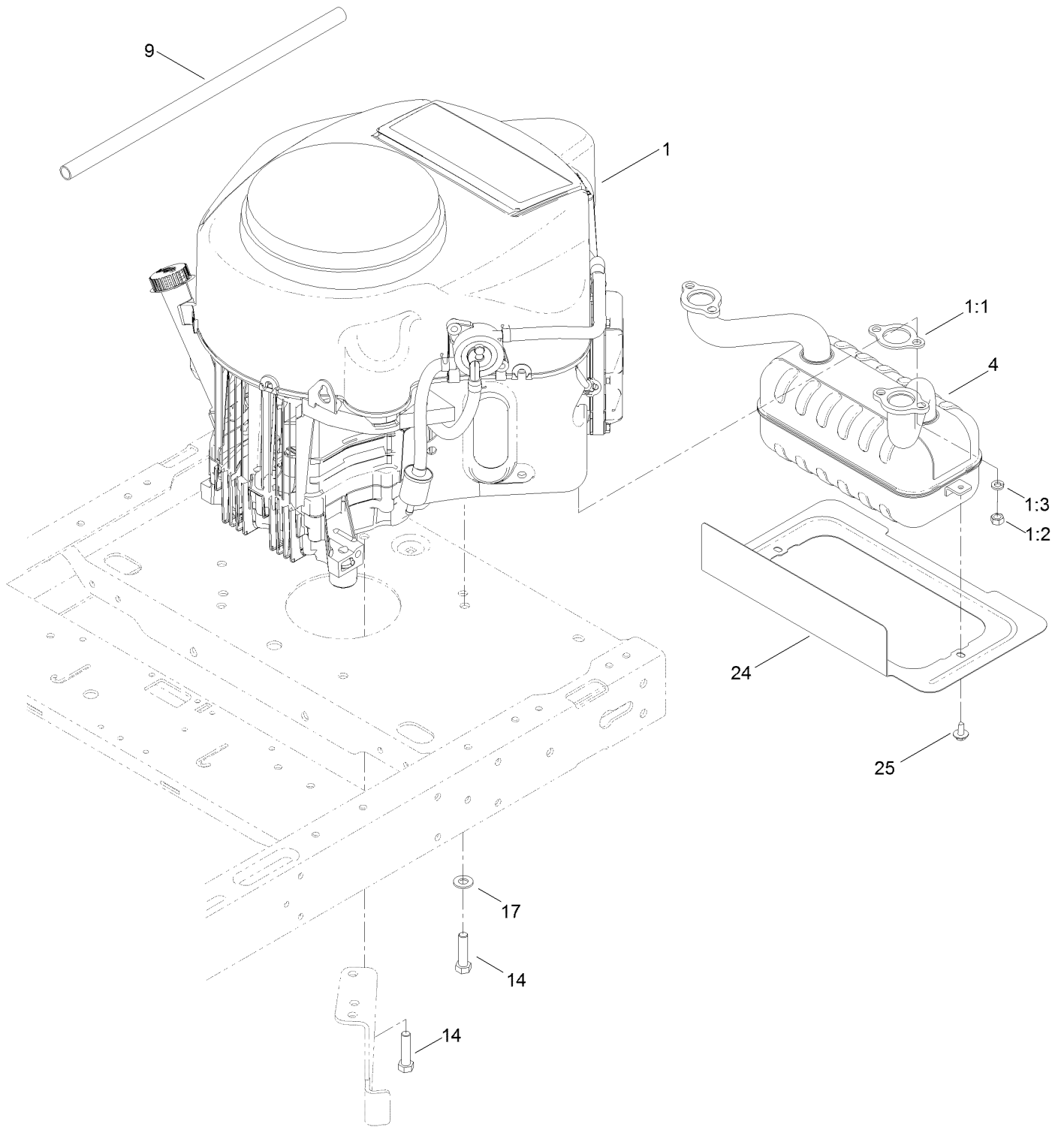
# Clutch Assembly



## Clutch Assembly (continued)

<i>Ref.</i>	<i>Part Number</i>	<i>Qty.</i>	<i>Description</i>	<i>Ref.</i>	<i>Part Number</i>	<i>Qty.</i>	<i>Description</i>
5	3234-42	1	Screw-HHF	10	104-8301	1	Nut-Flange, NI
6	119-3318	1	Pulley-Engine	11	119-8941	1	Clutch-PTO
7	120-2217	1	Isolator-Clutch	13	3212-19	1	Screw-HH
8	119-8885	1	Stop-Clutch	20	109-6919	1	Washer-Clutch

# Engine and Muffler Assembly



## Engine and Muffler Assembly (continued)

<i>Ref.</i>	<i>Part Number</i>	<i>Qty.</i>	<i>Description</i>	<i>Ref.</i>	<i>Part Number</i>	<i>Qty.</i>	<i>Description</i>
1		1	Engine-Kawasaki, Fr691V- s07-R ●■	9	106-7022	1	Tube-Drain, Oil
1:1	1-653313	2	Gasket-Exhaust	14	323-50	4	Bolt-HH
1:2	114-3549	4	Nut	17	3256-24	3	Washer-Flat
1:3	114-3550	4	Washer-Lock, Spring	24	121-2973-03	1	Shield-Heat
4	117-7256	1	Muffler-Kawasaki	25	46-8560	2	Screw-HHFTF

● Not serviced separately

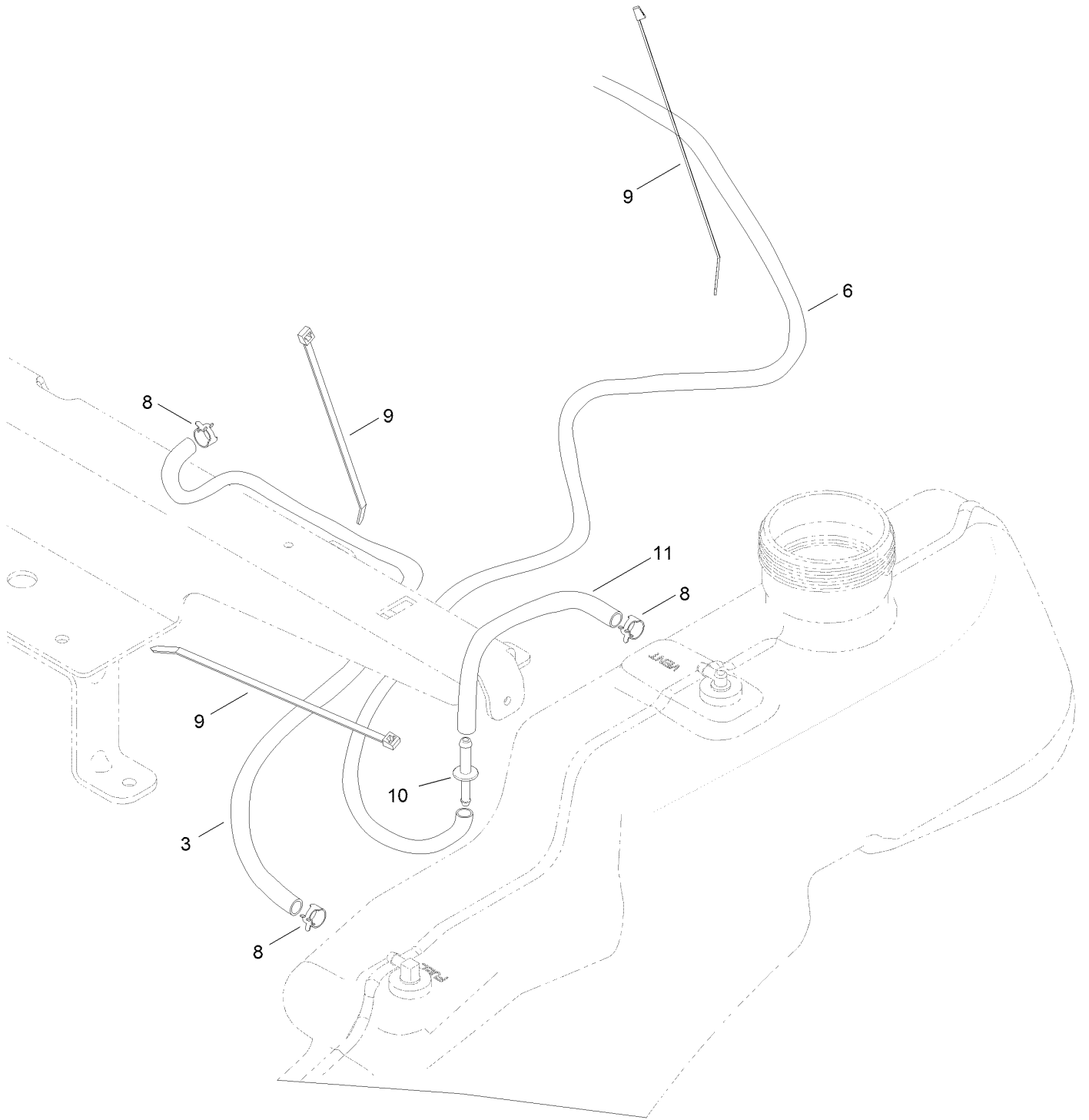
■ Obtain parts from [www.kawpowerepc.com](http://www.kawpowerepc.com)



## Body Styling and Fuel Pod Assembly (continued)

<i>Ref.</i>	<i>Part Number</i>	<i>Qty.</i>	<i>Description</i>	<i>Ref.</i>	<i>Part Number</i>	<i>Qty.</i>	<i>Description</i>
1	119-3338	1	Pod-RH	10	120-7950	6	Screw-Shoulder
2	119-3337	1	Pod-LH	11	609830	2	Spring
3	121-0773	1	Decal-Panel, Control	12	112-9753	1	Cable-Choke
4	121-0769	1	Cable-Throttle	13	3253-21	1	Washer-Lock
5	3258-166	3	Screw-PRH	14	3220-3	1	Nut-HJ
6	107069	3	Clip	15	119-3304-03	1	Guard-Rear
7	120-5461	1	Cap-Fuel, Ratcheting	16	99-4693	1	Decal
8	119-3377-03	1	Plate-Control	17	119-3395-03	1	Support-Tank, Front
9	119-3324	1	Fuel Tank ASM	18	32144-70	6	Screw-HWHTF
9:1	121-0793	1	Connector-Elbow, 90 DEG	19	119-8814	1	Decal-Control Lever, LH
9:2	46-6560	2	Bushing	20	119-8815	1	Decal-Control Lever, RH
9:4	117-7400	1	Fitting-Plastic				

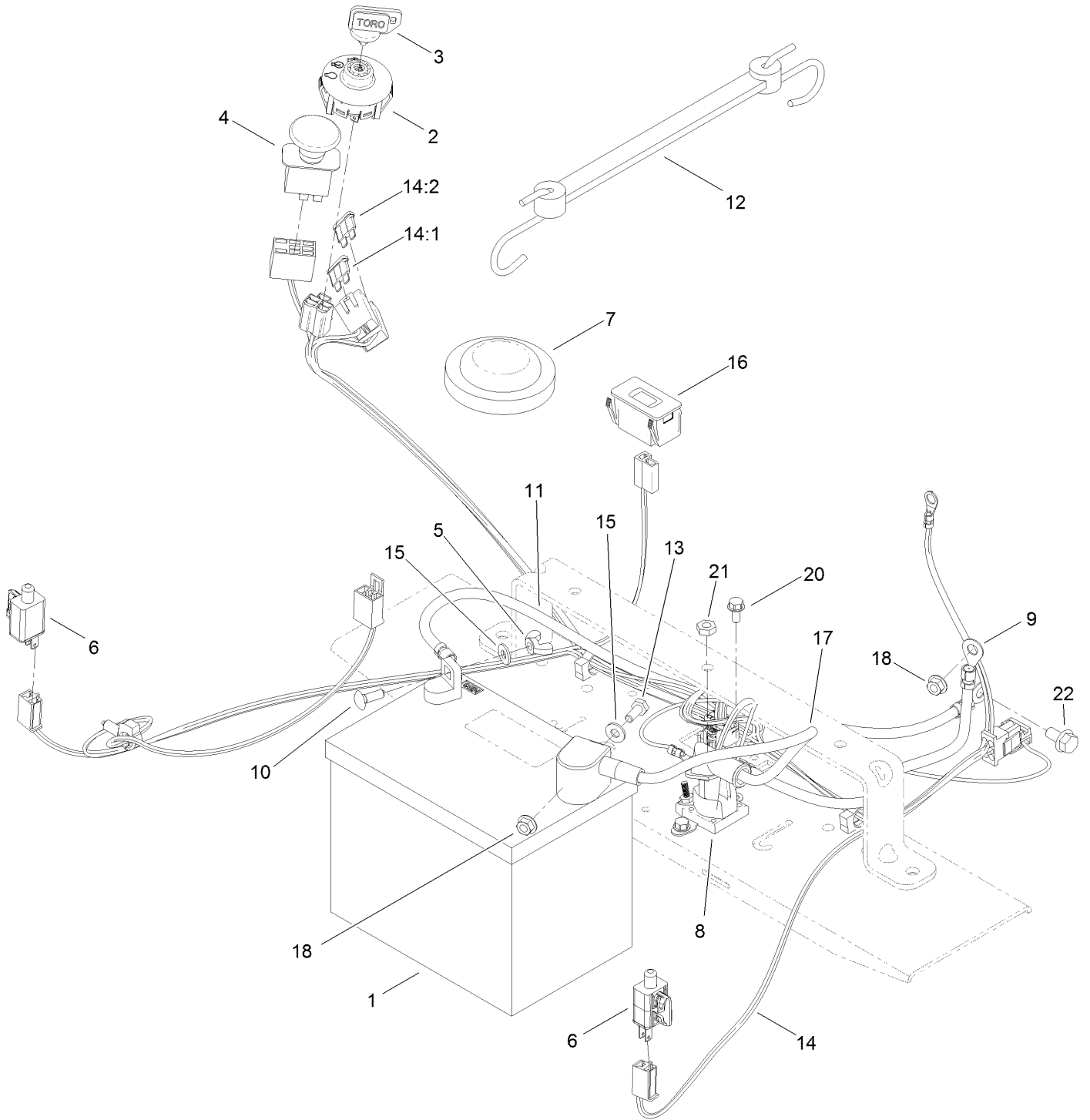
# Fuel Delivery Assembly



## Fuel Delivery Assembly (continued)

<i>Ref.</i>	<i>Part Number</i>	<i>Qty.</i>	<i>Description</i>	<i>Ref.</i>	<i>Part Number</i>	<i>Qty.</i>	<i>Description</i>
3	109-0301	1	Hose-Fuel	9	614249	3	Tie-Cable
6	51-3212	1	Hose-Fuel	10	117-5399	1	Adaptor-Orifice
8	2412-98	3	Clamp-Hose	11	110-1876	1	Hose-Fuel

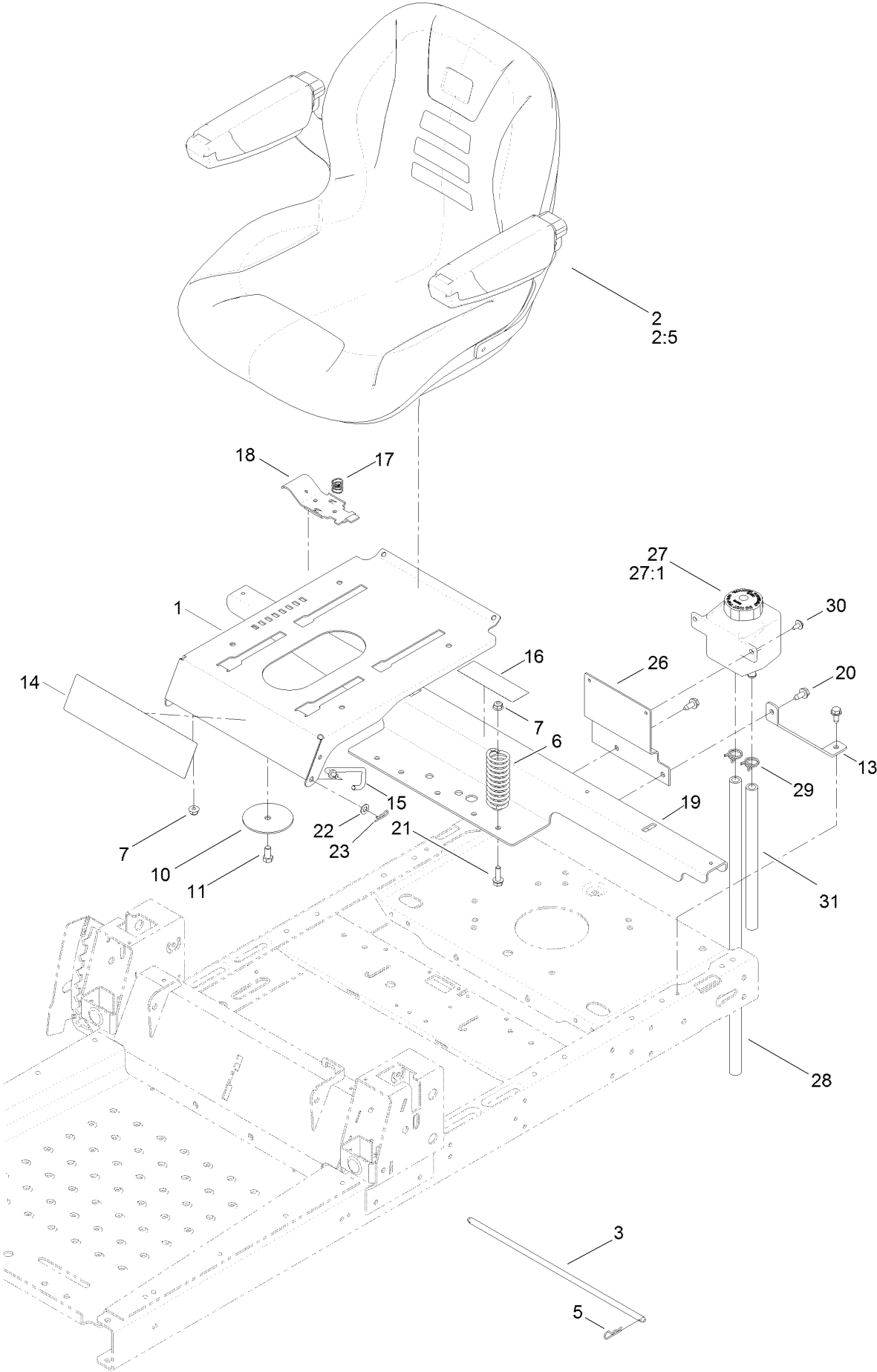
# Battery and Electrical Assembly



## Battery and Electrical Assembly (continued)

<i>Ref.</i>	<i>Part Number</i>	<i>Qty.</i>	<i>Description</i>	<i>Ref.</i>	<i>Part Number</i>	<i>Qty.</i>	<i>Description</i>
1	105-1692	1	Battery	13	321-3	1	Screw-HH
2	117-2221	1	Switch-Ignition	14	121-5652	1	Harness-Wire
3	63-8360	1	Key-Ignition (W/Shield)	14:1	109103	1	Fuse-Blade, 30 Amp
4	103-5221	1	Switch-PTO	14:2	109102	1	Fuse-Blade, 25 Amp
5	32103-22	1	Nut-Wing	15	3256-22	2	Washer-Flat
6	110-6765	2	Switch-Single Pole No	16	120-2244	1	Hourmeter
7	100-3524	1	Switch-Seat	17	119-8897	1	Cable-Battery, Red
8	117-1197	1	Solenoid	18	32128-33	2	Nut-HF
9	119-8898	1	Cable-Battery, Red	20	32144-4	2	Screw-HWH
10	3229-1	1	Bolt-CARR	21	3220-2	2	Nut-Jam
11	119-8899	1	Cable-Battery, Black	22	33104-016	1	Screw-HHF
12	104-2466	1	Holddown-Battery				

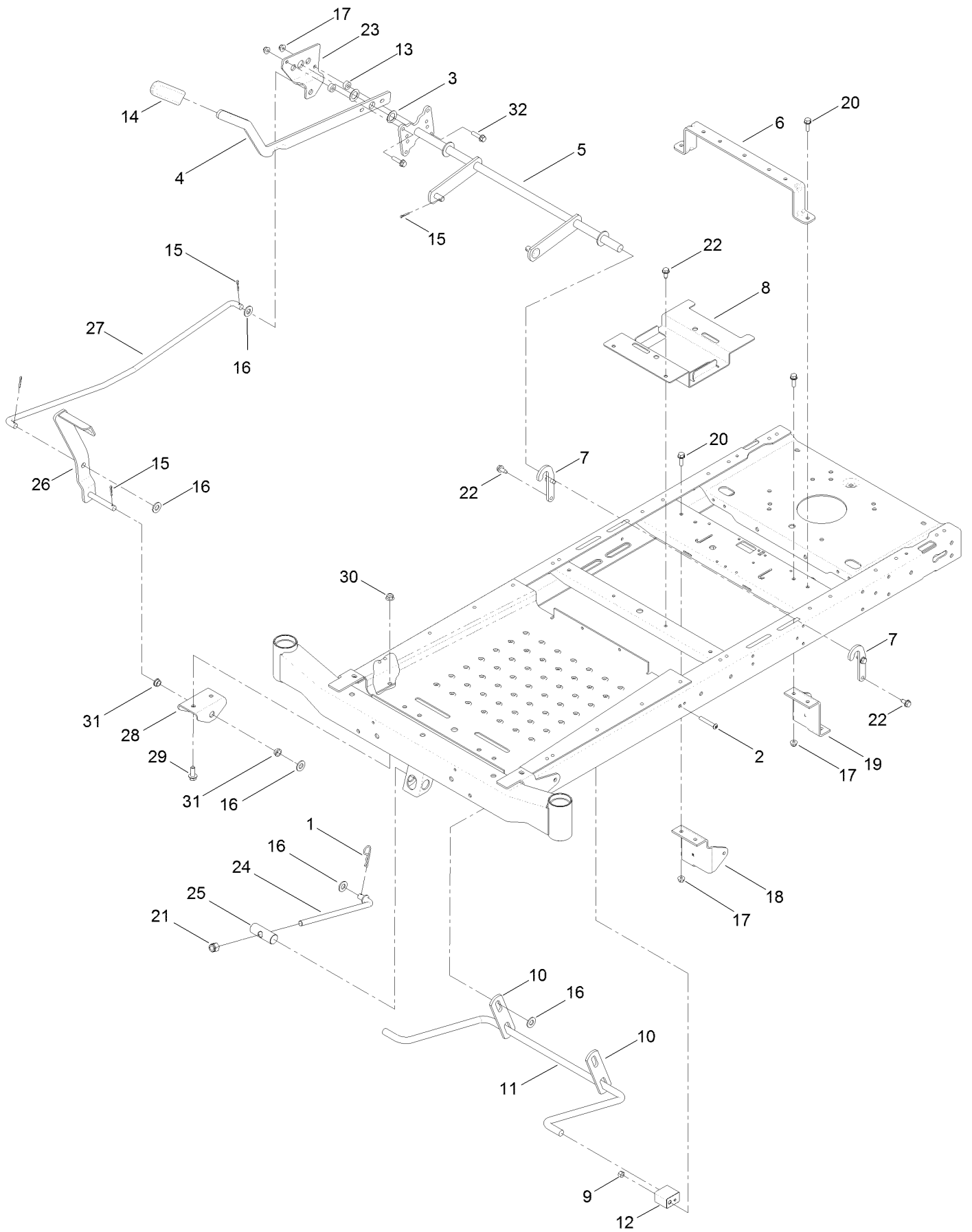
# Seat Assembly



## Seat Assembly (continued)

<i>Ref.</i>	<i>Part Number</i>	<i>Qty.</i>	<i>Description</i>	<i>Ref.</i>	<i>Part Number</i>	<i>Qty.</i>	<i>Description</i>
1	119-3390-01	1	Pan-Seat	18	115-9623	1	Latch-Seat
2	115-5053	1	18 Inch Seat ASM	19	119-3414-03	1	Support-Pod
2:5	119-3307	1	Armrest Kit	20	32144-70	5	Screw-HWHTF
3	115-4966	1	Rod-Stop	21	3234-29	3	Screw-HHF
5	3290-250	2	Pin-Hair	22	3256-23	1	Washer-Flat
6	92-7054	3	Spring-Compression	23	3290-307	1	Pin-Hair
7	104-8300	3	Nut-Flange, NI	26	120-7970-03	1	Mount-Tank
10	117-5307	1	Washer-Seat	27	109-2250	1	Vent-Tank, Hydro
11	323-4	1	Screw-HH	27:1	109-3320	1	Cap-Reservoir, HYD
13	119-3431-03	2	Support-Tank, Rear	28	121-2951	1	Hose-Overflow
14	125-5567	1	Decal	29	117-1193	4	Clamp-Hose
15	119-8972	1	Stop-Seat	30	46-8560	2	Screw-HHFTF
16	106-8717	1	Decal-Service	31	121-2952	1	Hose-Overflow
17	115-9624	1	Spring-Compression				

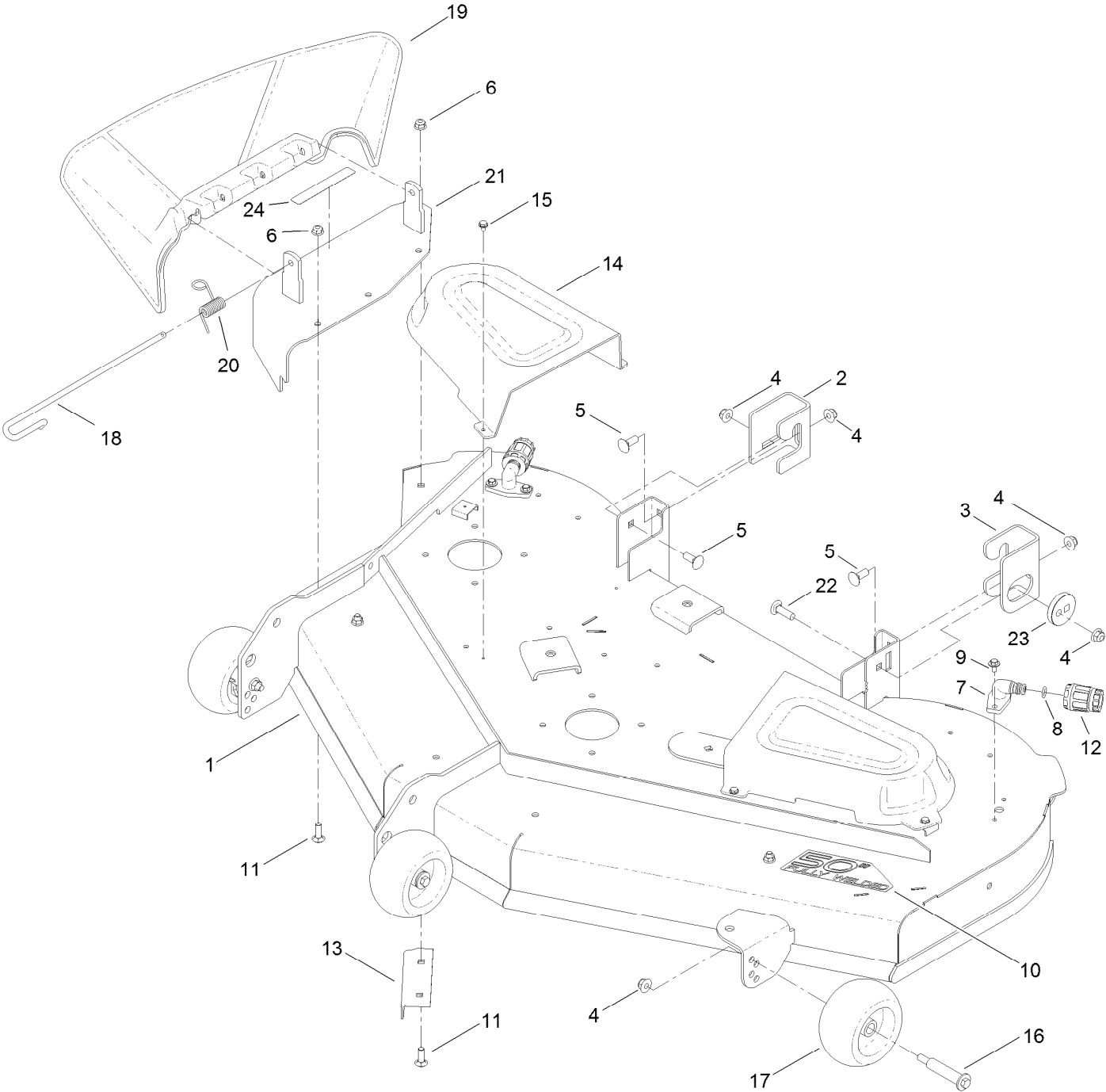
# Deck Lift Assembly



## Deck Lift Assembly (continued)

<i>Ref.</i>	<i>Part Number</i>	<i>Qty.</i>	<i>Description</i>	<i>Ref.</i>	<i>Part Number</i>	<i>Qty.</i>	<i>Description</i>
1	1-806005	1	Pin-Hair	17	104-8300	6	Nut-Flange, NI
2	120-5499	2	Screw-HSBH	18	120-7936-01	1	Mount-Hydro, Front (RH)
3	3-6498	2	Washer-Thrust	19	120-7937-01	1	Mount-Hydro, Front (LH)
4	119-3427-03	1	Lever-Lift	20	3234-29	4	Screw-HHF
5	119-3424-03	1	Lift-Deck (Wide)	21	3296-19	1	Nut-Hex
6	117-7337-03	1	Brace-Seat, Rear	22	32144-70	6	Screw-HWHTF
7	119-8875	2	Bracket-Lift	23	120-2275	1	Plate-Footlift
8	119-3406-03	1	Bracket-Battery	24	104-8047	1	Rod-Trunion
9	3296-29	2	Nut-Lock, NI	25	119-8810	1	Pin-Pivot
10	108-7840	2	Link-Lift	26	120-2276-03	1	Pedal
11	119-3347	1	Arm-Lift, Rear	27	120-2242	1	Rod-Footlift
12	108-7845	2	Block-Pivot	28	120-2294-03	1	Bracket-Footlift
13	121-1759	2	Spacer	29	3234-42	2	Screw-HHF
14	1-633268	1	Grip-Lever	30	104-8301	2	Nut-Flange, NI
15	3272-10	5	Pin-Cotter	31	256-156	2	Bushing-Flange
16	3256-26	6	Washer-Flat	32	3234-36	2	Screw-HHF

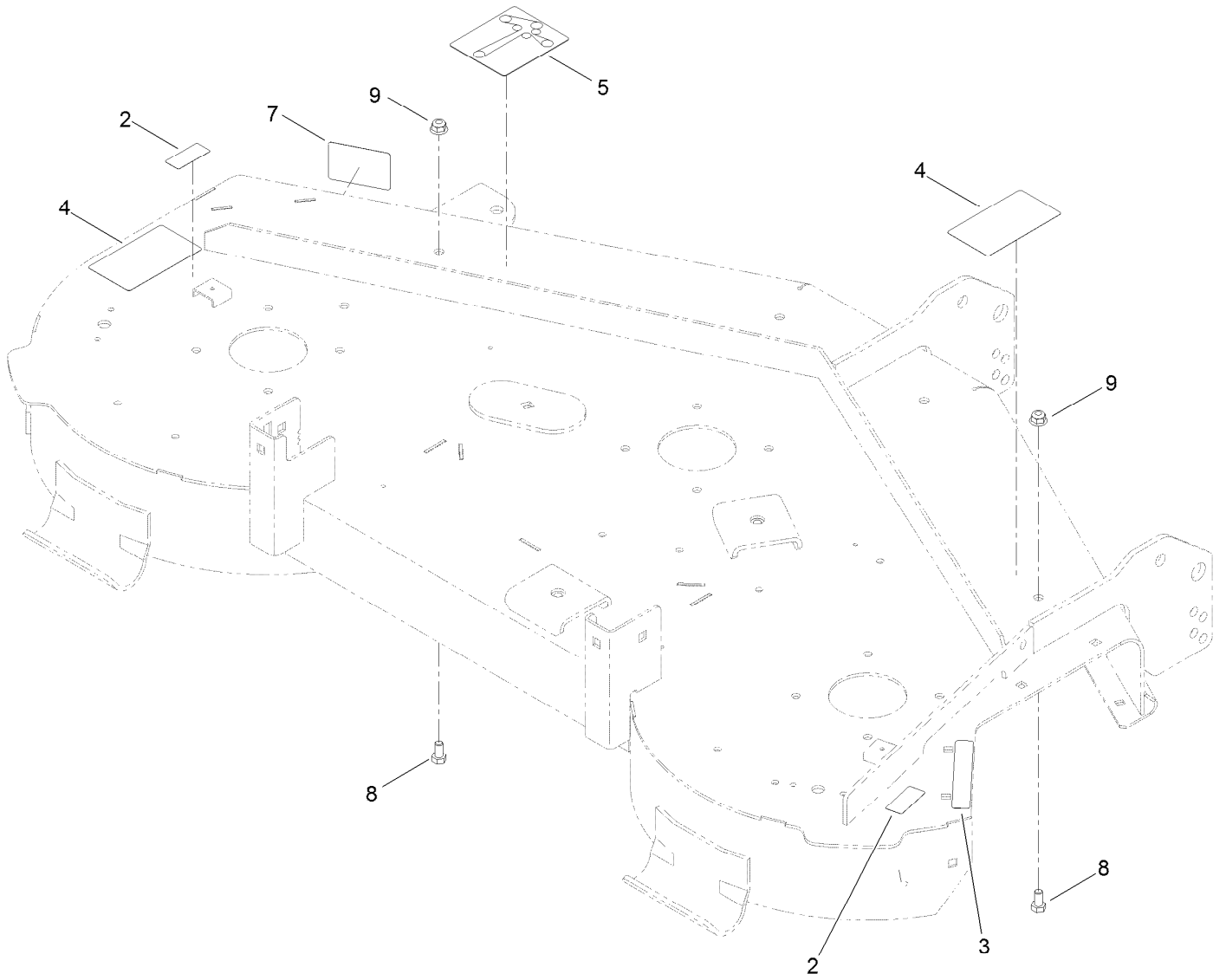
# 50 Inch Deck Assembly



## 50 Inch Deck Assembly (continued)

<i>Ref.</i>	<i>Part Number</i>	<i>Qty.</i>	<i>Description</i>	<i>Ref.</i>	<i>Part Number</i>	<i>Qty.</i>	<i>Description</i>
1	121-0734	1	50 Inch Deck And Decal ASM	13	120-7951-03	1	Baffle-Cutoff
2	119-3494	1	Bracket-Hanger, RH	14	108-7890	2	Cover-Belt
3	121-0797	1	Bracket-Hanger, LH	15	32144-1	6	Screw-Taptite
4	104-8301	7	Nut-Flange, NI	16	112-3977	3	Bolt-Shoulder
5	3231-2	3	Bolt-CARR	17	1-603299	3	Roller-Scalp, Anti
6	104-8300	4	Nut-Flange, NI	18	109-8854	1	Pin-Chute
7	95-2747	2	Fitting-Washout	19	121-0739	1	Deflector-Discharge
8	46-6290	2	O-Ring, Seal	20	121-2983	1	Spring-Torsion
9	46-8560	4	Screw-HHFTF	21	120-7925-01	1	Cover-Discharge
10	121-0792	1	Decal-Deck	22	3231-28	1	Screw-CARR
11	3230-22	4	Screw-CARR	23	112-3980	1	Eccentric
12	95-3270	1	Connector-Hose	24	93-7009	1	Decal-Danger, Deflector

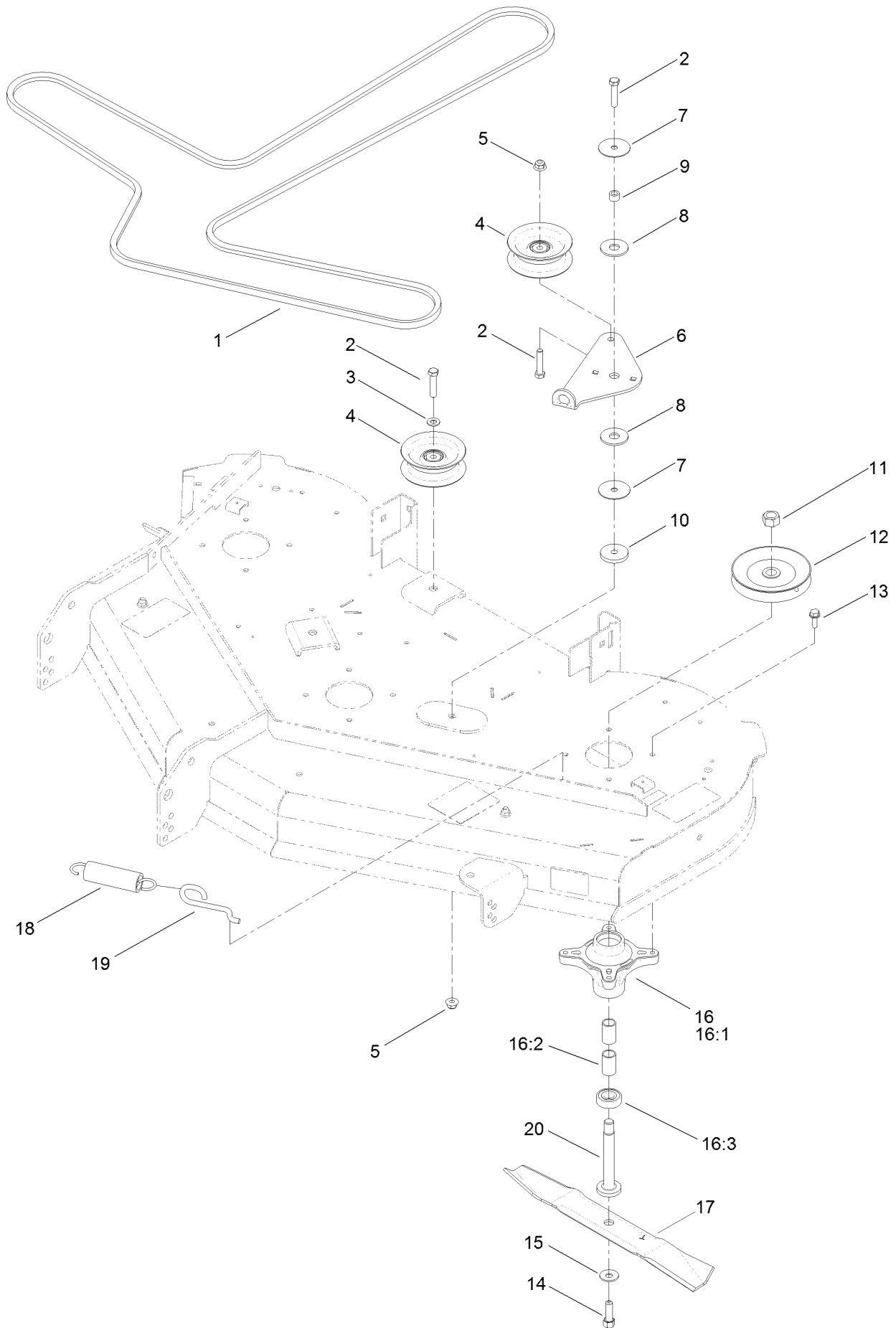
# 50 Inch Deck and Decal Assembly No. 121-0734



# 50 Inch Deck and Decal Assembly No. 121-0734 (continued)

<i>Ref.</i>	<i>Part Number</i>	<i>Qty.</i>	<i>Description</i>	<i>Ref.</i>	<i>Part Number</i>	<i>Qty.</i>	<i>Description</i>
2	114-1606	2	Decal-Danger	7	112-9840	1	Decal-Scalp, Anti
3	93-7009	1	Decal-Danger, Deflector	8	322-2	2	Screw-HH
4	110-6691	2	Decal-Danger	9	104-8300	2	Nut-Flange, NI
5	99-3943	1	Decal-Routing, Belt				

# 50 Inch Deck, Belt and Mulch Blade Assembly



## 50 Inch Deck, Belt and Mulch Blade Assembly (continued)

<i>Ref.</i>	<i>Part Number</i>	<i>Qty.</i>	<i>Description</i>	<i>Ref.</i>	<i>Part Number</i>	<i>Qty.</i>	<i>Description</i>
1	119-8820	1	V-Belt	13	32144-41	12	Screw-Taptite
2	323-9	4	Screw-HH	14	26-0671	3	Screw-HH
3	3256-24	2	Washer-Flat	15	3290-465	3	Washer-Belleville
4	106-2175	3	Pulley-Idler, Flat	16	121-0751	3	Spindle ASM
5	104-8301	2	Nut-Flange, NI	16:1	117-7267	1	Spindle
6	114-8540	1	Arm-Idler	16:2	120-7935	2	Spacer
7	120-2229	2	Washer-Idler Pivot	16:3	100-1048	2	Bearing-Ball
8	114-0463	2	Washer-Friction, Composite	17	115-5062-03	3	Blade-Mulch, 17.50 Inch
9	115-4986	1	Spacer	18	1-603414	1	Spring-Extension
10	110-9981	1	Washer-Plain	19	112-3973	1	Hook-Return, Spring
11	3219-6	3	Nut-Hex	20	117-7268	3	Shaft-Spindle
12	125-5575	3	Pulley				

# Attachments and Accessories

## For 74395 TimeCutter ZS 5000TF Riding Mower

<b>Product Name</b>	<b>Model/Part</b>
High-Altitude Kit .....	121-4243
Bagging Enhancement Kit .....	121-5692
Striping Kit .....	121-5706
Hitch Kit .....	79014
Replacement Blade Kit, 2007 and After TimeCutter Riding Mower with 50in Mower .....	79016
Cargo Carrier .....	79030
Front Weight Kit .....	79031
Storage Cover .....	79317
50in Bagger .....	79337

**Notes:**



**Count on it.**