



PART NO. 62-6590

INSTALLATION INSTRUCTIONS

WEIGHT BOX KIT

(GROUNDMASTER® 100, 200 & 300 SERIES)

NOTE: Use the following chart and figure to determine the parts required for assembling the weight box kit to your machine.

PART DESCRIPTION	QTY REQUIRED	DESIRED APPLICATION
Weight Box	1	All Models
Weight Box Cover	1	
Wing Nuts	2	
Mounting Bracket	1	GM 117, GM 217 D & GM 220
Plate	2	GM 322 D & GM 327
Plug	2	All Models
Capscrew 1/2-13 x 1-3/4" lg.	2	GM 220, GM 322 D & GM 327
Locknut 1/2-13	4	GM 220
	2	GM 117, GM 217 D & GM 322 D
Lockwasher 1/2 Med.	2	GM 117, GM 217 D & GM 327
Capscrew 1/2-13 x 1-1/4" lg.	4	GM 117 & GM 217 D
	2	GM 220

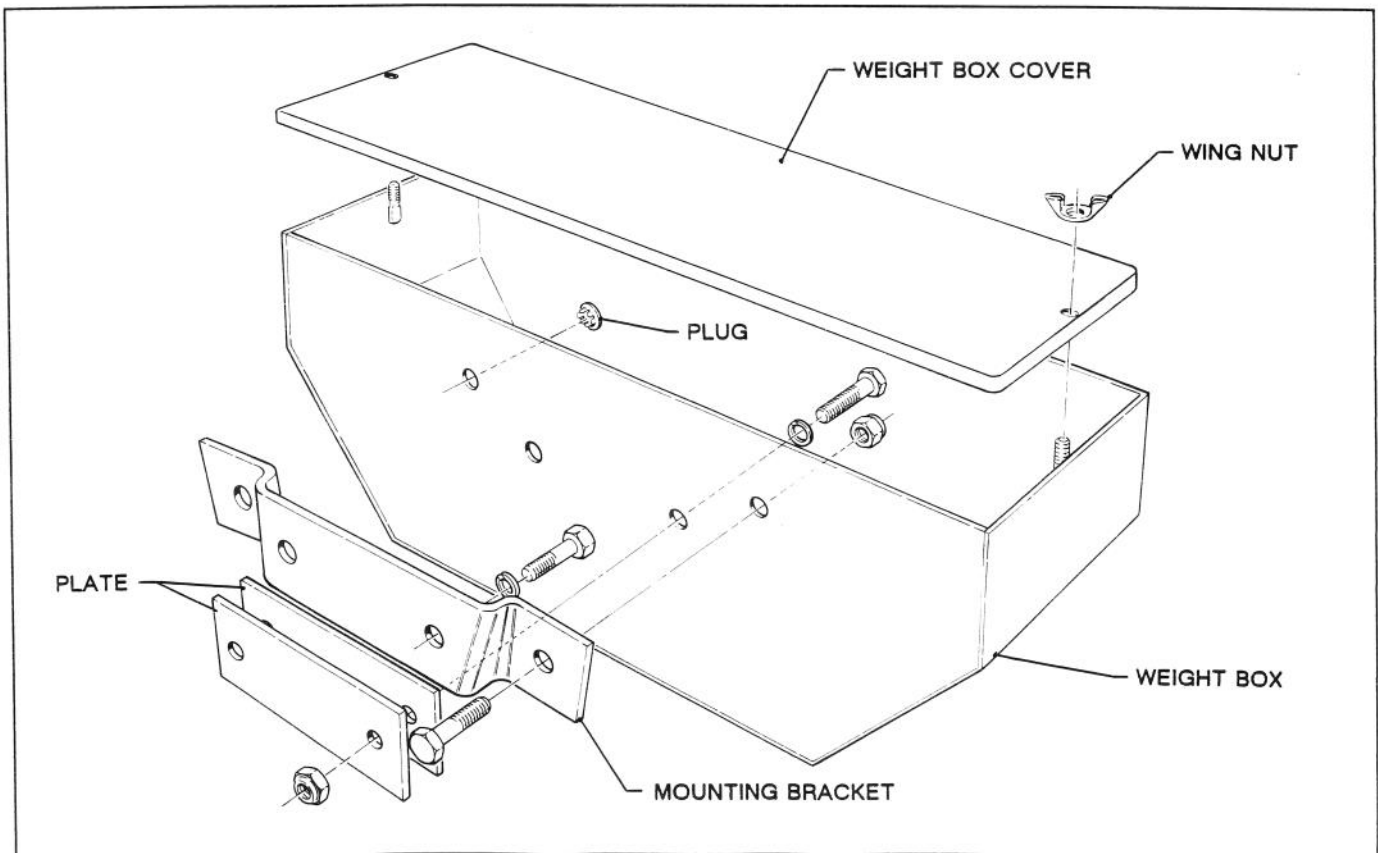


Figure 1

GROUNDMASTER 117, 217 D AND 220

1. Locate mounting holes in rear frame. On Groundsmaster 117, holes are located under TORO decal. Cut away decal material to expose holes.
2. On GROUNDMASTERS 117 and 217 D, secure mounting bracket to rear of frame with (2) 1/2-13x1 1/4" lg. capscrews and lockwashers. On GROUNDMASTER 220, secure bracket to frame with (2) 1/2-13x1 3/4" lg. capscrews and locknuts.

NOTE: Insert weight box mounting screws thru bracket before mounting bracket to frame.

3. Secure weight box to mounting bracket with (2) 1/2-13x1 1/4" lg. capscrews (previously inserted into bracket) and locknuts.
4. Insert plugs in remaining mounting holes in weight box.
5. Fill weight box with desired weight (not to exceed 100 pounds), install cover and secure with (2) wing nuts.

NOTE: Retain left over parts for future applications.

GROUNDMASTER 322 D AND 327

1. Locate mounting holes in rear frame.
2. On GROUNDMASTER 322 D, secure weight box to rear of frame with (2) 1/2-13x1-3/4" lg. capscrews, lockwashers and plates. Plates to be positioned between weight box and frame.
3. On GROUNDMASTER 327, secure weight box to rear of frame with (2) 1/2-13x1-3/4" lg. capscrews, locknuts and plates. Plates to be positioned between weight box and frame.
4. Insert plugs into remaining mounting holes in weight box.
5. Fill weight box with desired weight (not to exceed 100 pounds), install cover and secure with (2) wing nuts.

NOTE: Retain left over parts for future applications.