



Count on it.

Parts Catalog

Workman® MDX-D Utility Vehicle

Model No. 07359—Serial No. 314000501 and Up



Ordering Replacement Parts

To order replacement parts, please supply the part number, the quantity, and the description of each part desired.

Understanding Reference Numbers

Each identified part in an illustration has a reference number. The reference number for a part also appears in the parts list, along with other information about the part.

This catalog uses two special reference number formats, one to indicate parts in a service assembly and another to indicate the quantity of a given part in an illustration.

Service Assembly Reference Numbers

Parts in service assemblies have reference numbers in the form a:b. The a represents the reference number of the entire service assembly and the b represents a sequential number unique to each part within the service assembly.

For example, a wheel assembly might be identified by reference number 6, the tire by 6:1, the valve by 6:2, and the wheel by 6:3. When you order the assembly identified by reference number 6, you receive all parts identified by reference numbers 6:1, 6:2, and 6:3. However, you may also order any part individually. Reference numbers of this type appear in illustration and in parts lists.

Reference Numbers Indicating Quantity

In an illustration, if a reference number indicates more than one part, the reference number has the form nX y. The n represents the quantity of the part, the X is the multiplication symbol, and the y represents the reference number.

For example, in an illustration, the reference number 2X 37 means that two of the parts identified by reference number 37 are indicated.

List of Abbreviations

AR: as required

ASM: assembly

BBC: blade brake control

BHTF: button head thread forming

CARR: carriage

CCW: counter clockwise

CW: clockwise

DEG: degrees

DPA: Dual Point Adjustment

ECM: electronic control module

EXT: external

FH: flat head

GA: gauge

HD: heavy-duty

HF: hex flange

HH: hex head

HHF: hex head flange

HHFTF: hex head flange thread forming

HJ: hex jam

HLH: hex lag head

HOC: height-of-cut

HP: high pressure

HSBH: hex socket button head

HSFH: hex socket flat head

HSH: hex socket head

HWH: hex washer head

HWHTF: hex washer head thread forming

HYD: hydraulic

LH: left hand

LP: low pressure

LPG: Liquefied Petroleum Gas

NI: nylon insert

NPTF: national pipe thread fine

PFH: phillips flat head

PPH: phillips pan head

PPHTF: phillips pan head thread forming

PRH: phillips round head

PTH: phillips truss head

PTO: power-take-off

RH: right hand

ROPS: roll-over protection system

RRB: rear roller brush

SFH: slotted fillister head

SHH: slotted hex head

SHWH: slotted hex washer head

SPH: slotted pan head

SQH: square head

SRH: slotted round head

STD: standard

TAP: self tapping

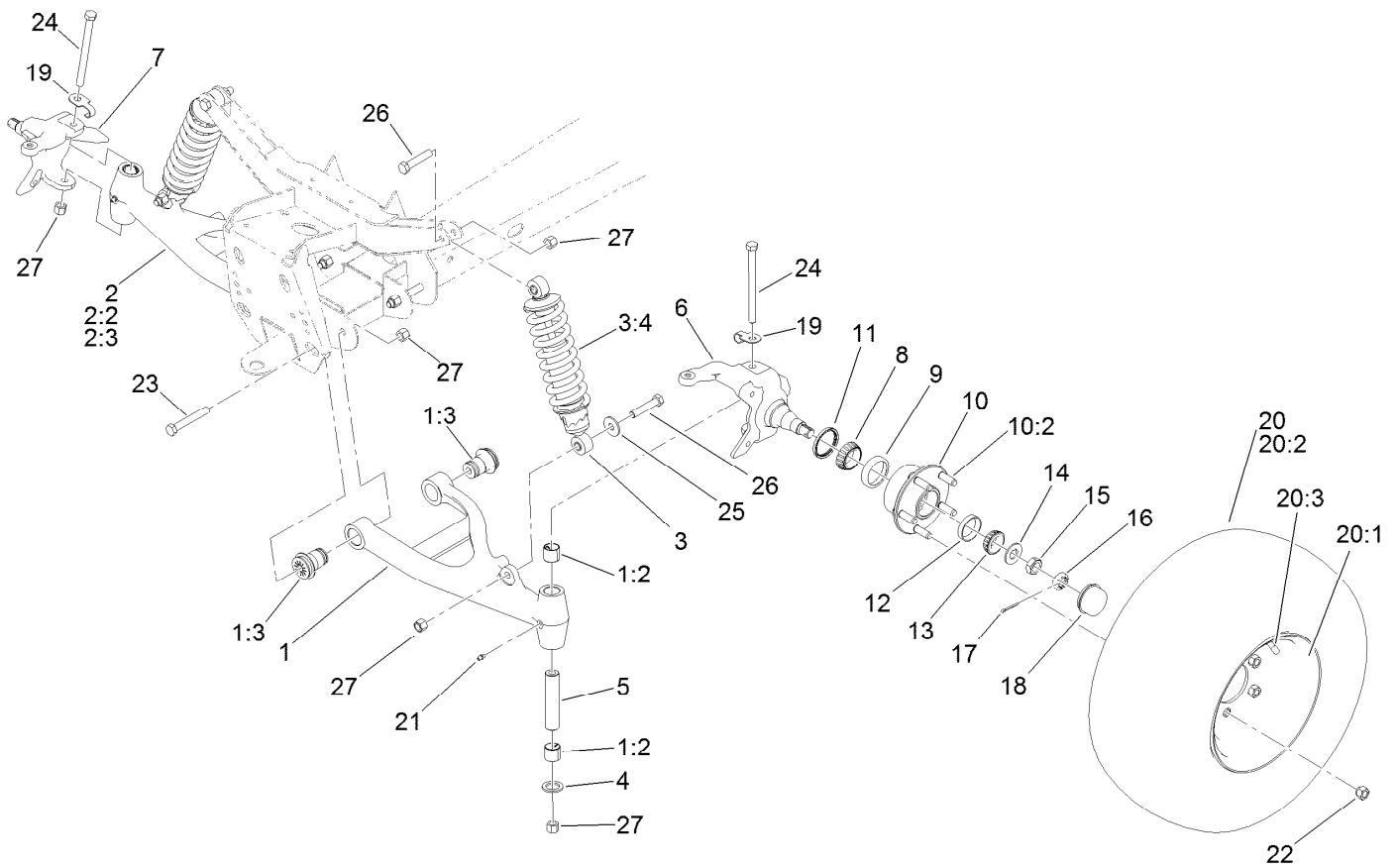
TTH: torx truss head

Contents

Front Suspension and Wheel Assembly	5
Front Frame Assembly	6
Engine Mount Assembly	7
Rear Frame and Suspension Assembly	8
Front Brake Assembly	9
Master Cylinder Assembly No. 104-6782	10
Brake Caliper Assembly No. 127-7424	11
Rear Brake Assembly	12
RH Rear Brake Assembly No. 114-8331	13
LH Rear Brake Assembly No. 114-8332	14
Steering Assembly	15
Steering Box Assembly No. 112-3130	16
Pedal Box Assembly	17
Shifter Assembly	18
Hood and Bumper Assembly	19
Fender Well Assembly	20
Fender Assembly	21
Dash Installation Assembly	22
Dash Assembly	23
Seatbase Assembly	24
Cargo Bed Assembly	25
Cargo Bed Service Assembly No. 127-7384	26
Engine, Primary Clutch and Exhaust Assembly	27
Primary Clutch Assembly No. 119-9610	28
Air Cleaner, Throttle and Engine Mount Assembly	29
Air Cleaner Assembly No. 119-9714	30
Radiator Assembly	31
Secondary Clutch and Rear Axle Assembly	32
Secondary Clutch Assembly No. 119-6011	33
Transaxle Assembly No. 119-0760	34
Battery Assembly	36
Wire Harness Assembly	37
Fuel Tank Assembly	38
Crankcase Assembly	39
Oil Pan, Oil Pump and Dipstick Assembly	40
Cylinder Head Assembly	41
Gear Case and Oil Filter Cartridge Assembly	42
Cylinder Head Cover Assembly	43
Main Bearing Case Assembly	44
Camshaft and Idle Gear Shaft Assembly	45
Piston and Crankshaft Assembly	46
Fuel Camshaft Assembly	47
Idle Apparatus and Fuel Pump Cover Assembly	48
Injection Pump Assembly	49
Governor Assembly	50
Stop Solenoid and Speed Control Plate Assembly	51
Nozzle Holder and Glow Plug Assembly	52
Nozzle Holder Assembly	54
Alternator, Pulley and Fan Assembly	56
Alternator Components Assembly	57
Starter and Flywheel Assembly	58
Starter Component Assembly	59
Water Flange and Thermostat Assembly	60
Water Pump and Water Pipe Assembly	61

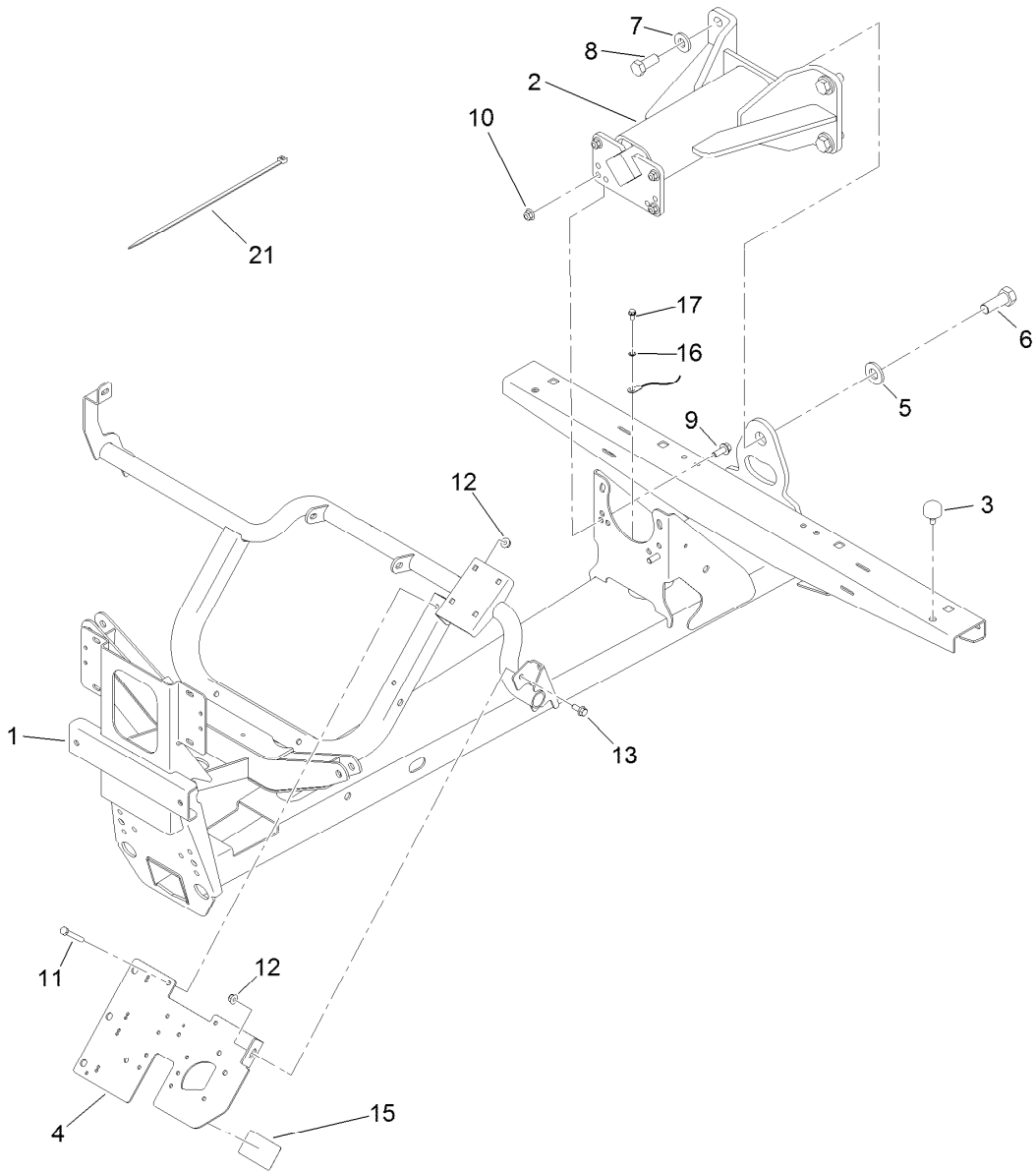
Contents (continued)

Valve and Rocker Arm Assembly 62
Inlet and Exhaust Manifold Assembly 63
Miscellaneous Engine Parts 64
Attachments and Accessories 65



Front Suspension and Wheel Assembly

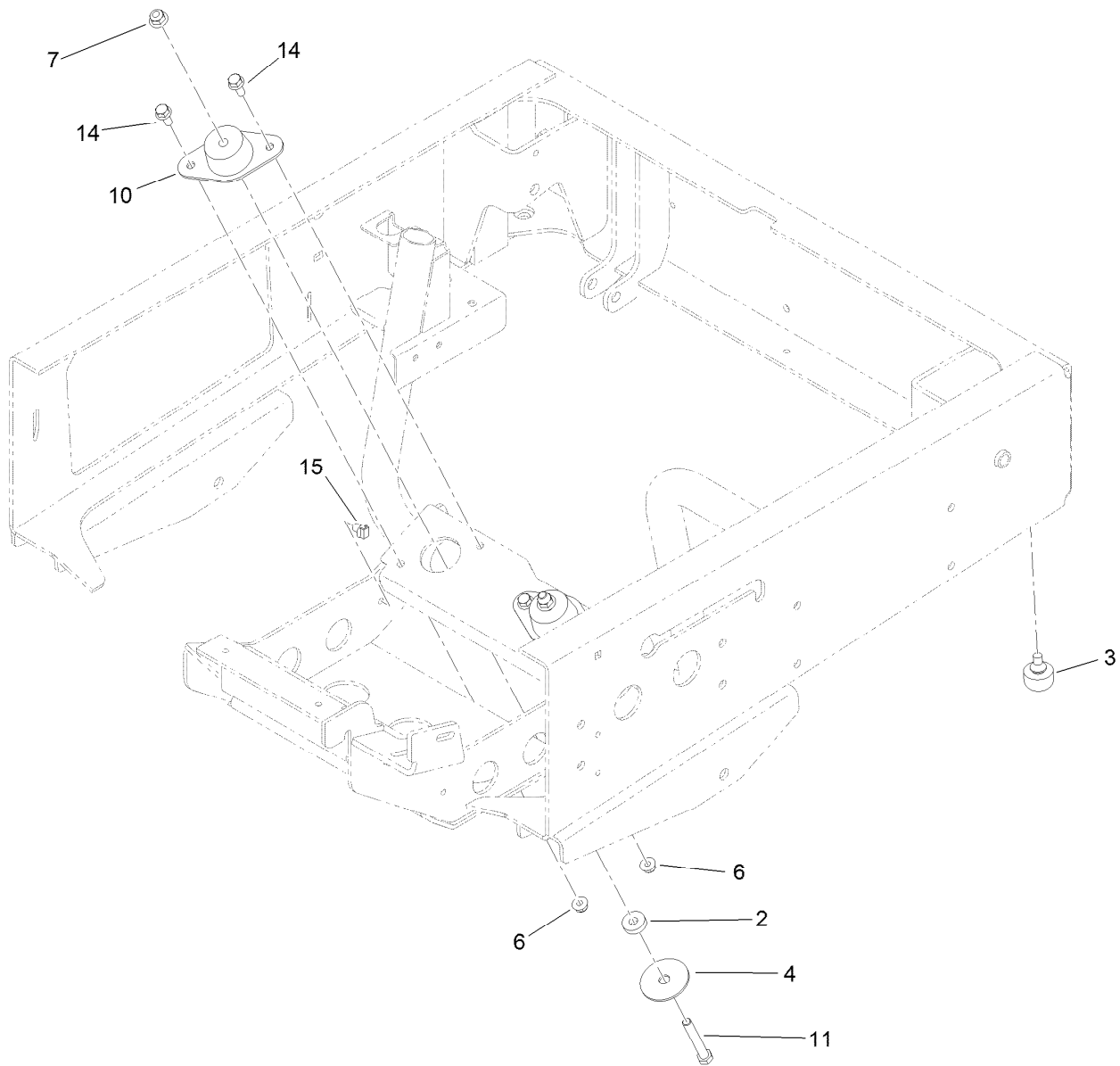
Ref.	Part Number	Qty.	Description	Ref.	Part Number	Qty.	Description
1	114-8313	1	LH A-Arm ASM	13	254-94	2	Bearing-Cone, Tapered
1:2	125-5196	2	Bushing	14	93-0309	2	Washer-Tab
1:3	87-1450	2	Bushing-Flange	15	3220-7	2	Nut-Jam
2	114-8314	1	RH A-Arm ASM	16	93-0307	2	Nut-Lock, Retainer
2:2	125-5196	2	Bushing	17	3272-12	2	Pin-Cotter
2:3	87-1450	2	Bushing-Flange	18	241-119	2	Cap-Dust
3	112-2975	2	Shock/Spring ASM	19	112-3311	2	Clip-Hose
3:4	112-3383	1	Spring	20	120-5025	2	Tire And Wheel ASM
4	256-115	2	Washer-Thrust	20:1	120-4974	1	Wheel
5	99-7499	2	Sleeve-Kingpin	20:2	104-7289	1	Tire
6	119-9521	1	Spindle-LH	20:3	232-27	1	Stem-Valve
7	119-9522	1	Spindle-RH	21	302-5	2	Fitting-Grease
8	254-106	2	Cone-Bearing, Tapered	22	242-50	10	Nut-Lug
9	254-107	2	Cup-Bearing, Tapered	23	325-14	4	Screw-HH
10	117-8071	2	Hub ASM	24	325-20	2	Screw-HH
10:2	10-6830	5	Stud-Type, Drive	25	51-3500	2	Washer
11	108-7019	2	Seal-Shaft	26	325-10	4	Screw-HH
12	254-72	2	Bearing-Cup, Tapered	27	3296-23	10	Nut-Lock, NI



Front Frame Assembly

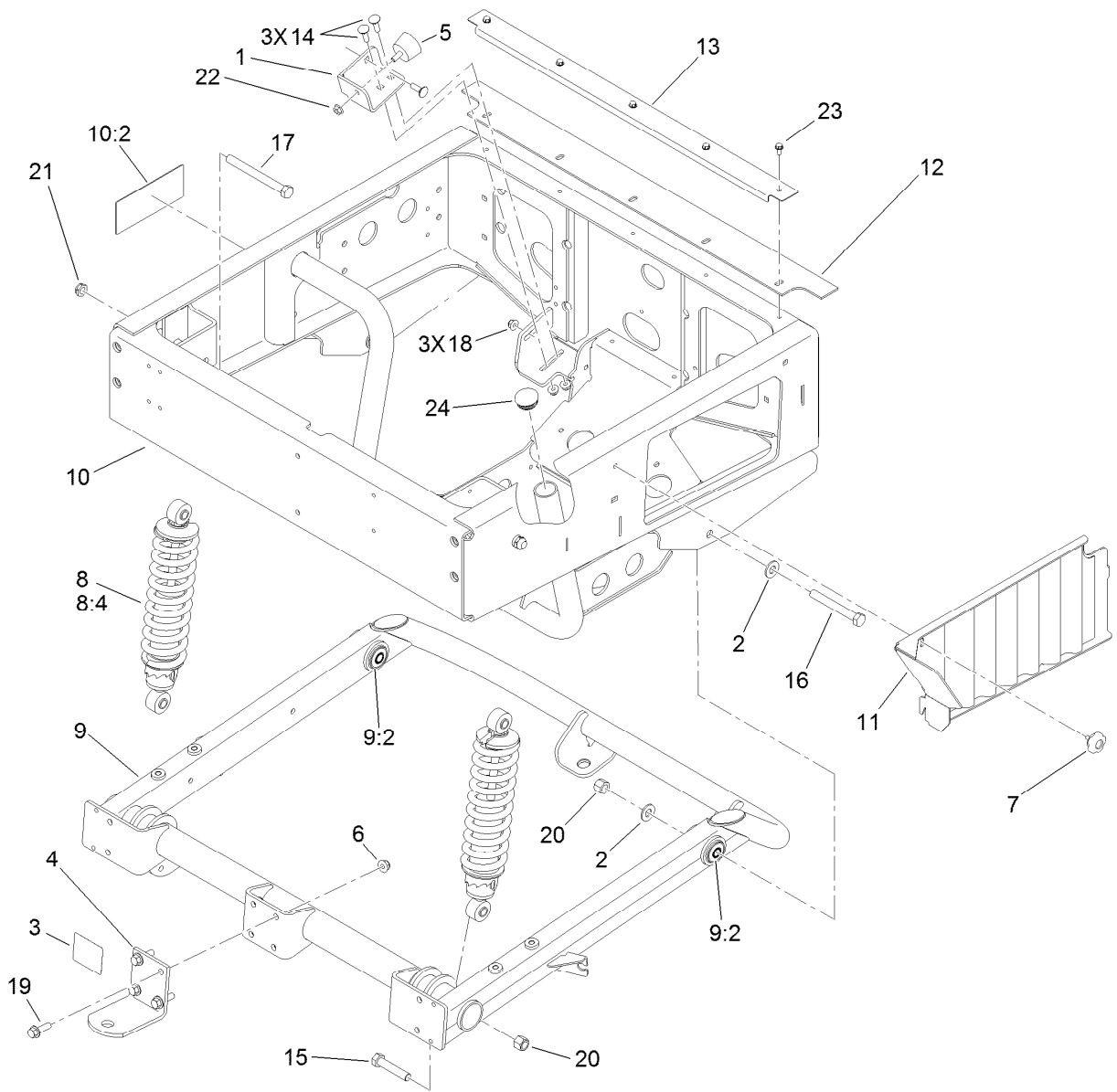
Ref.	Part Number	Qty.	Description
1	112-3340-03	1	Frame-Front
2	99-7700	1	Pivot Yoke ASM
3	87-2440	1	Bumper-Rubber
4	112-3376-03	1	Plate-Mount, Electrical
5	87-3060	1	Washer-Hardened
6	328-24	1	Screw-HH
7	99-7667	4	Washer-Flat
8	327-4	4	Screw-HH
9	3234-11	4	Screw-HHF

Ref.	Part Number	Qty.	Description
10	104-8301	4	Nut-Flange, NI
11	322-11	2	Screw-HH
12	104-8300	3	Nut-Flange, NI
13	110-5053	1	Screw-HHF
15	120-4837	1	Decal-Fuse Block
16	3254-16	1	Washer-Lock/Int
17	32144-4	1	Screw-HWH
21	3290-379	12	Tie-Cable



Engine Mount Assembly

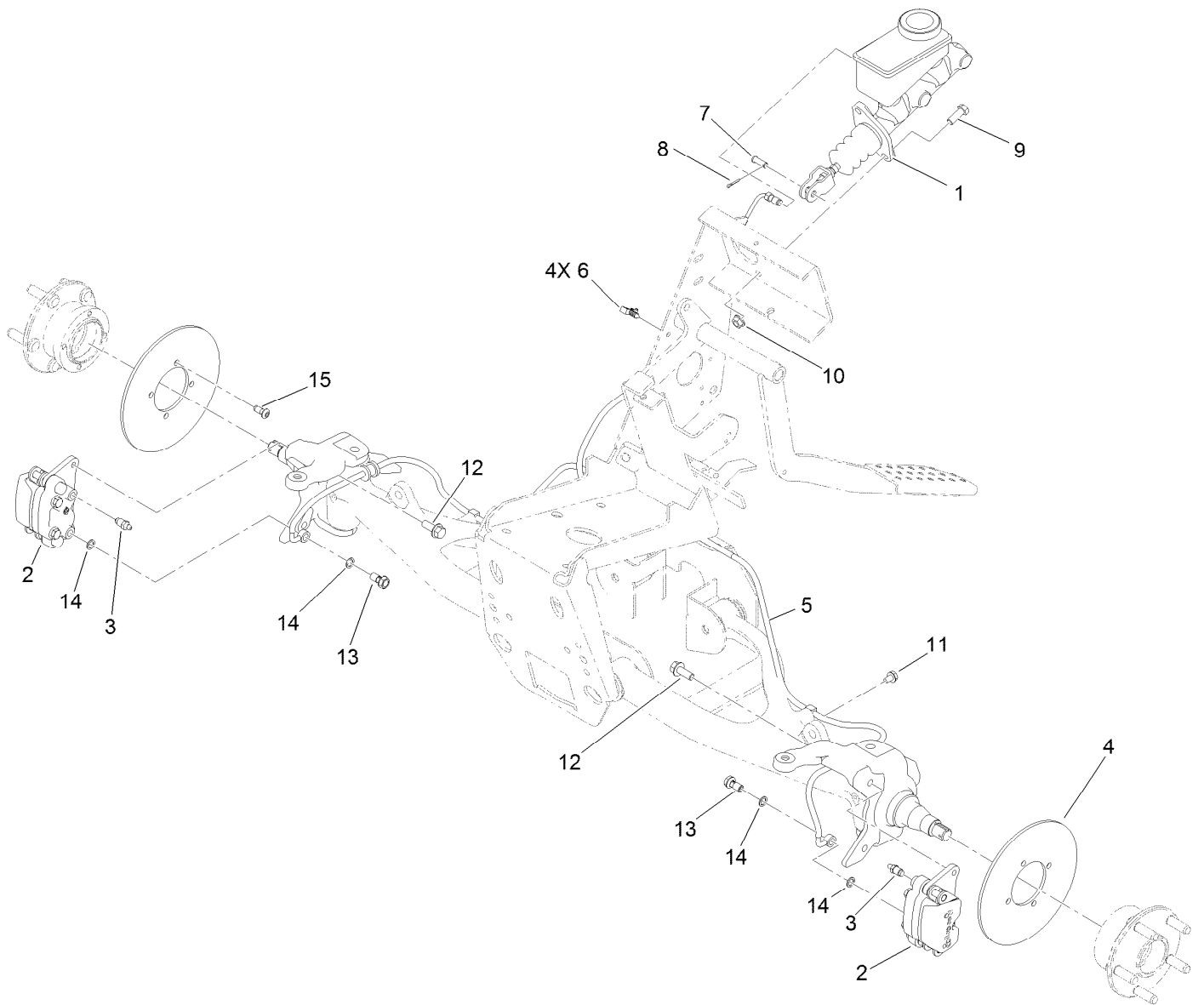
<i>Ref.</i>	<i>Part Number</i>	<i>Qty.</i>	<i>Description</i>
2	62-6660	4	Spacer
3	87-2440	2	Bumper-Rubber
4	87-5100	4	Washer-Snubbing
6	104-8300	8	Nut-Flange, NI
7	104-8301	4	Nut-Flange, NI
10	119-9745	4	Mount-Engine
11	323-12	4	Screw-HH
14	3234-47	8	Screw-HHF
15	32180-030	1	Clip-Tie



Rear Frame and Suspension Assembly

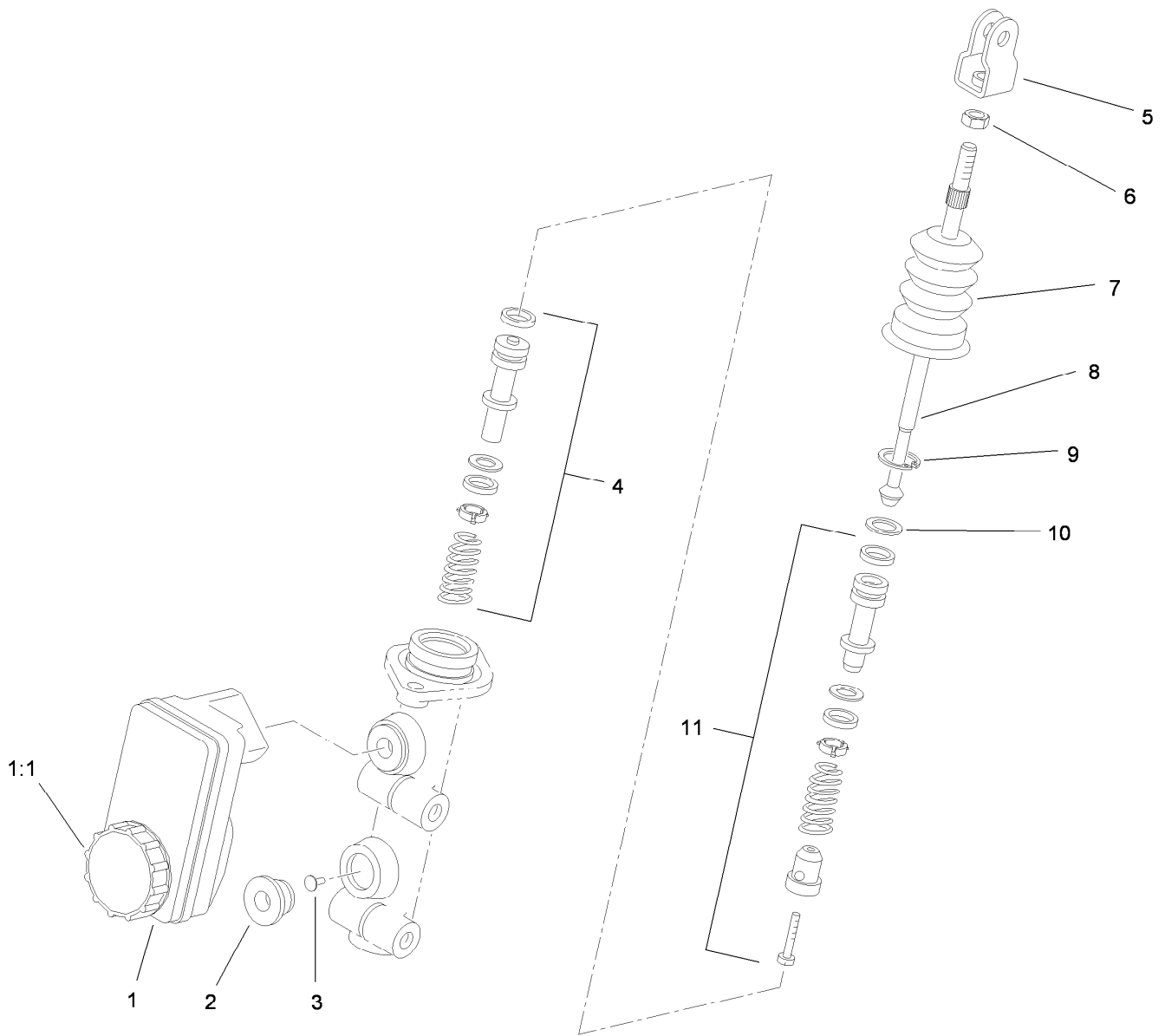
Ref.	Part Number	Qty.	Description
1	119-9743-03	1	Mount-Bumper
2	87-7270	4	Washer-Thrust
3	99-7350	1	Decal-Rating, Hitch (Light Duty)
4	99-7654-03	1	Hitch-Duty, Light
5	68-3270	1	Bumper-Rubber
6	104-8301	4	Nut-Flange, NI
7	105-1406	1	Knob
8	112-3168	2	Rear Shock/Spring ASM
8:4	112-3386	1	Spring
9	115-7614	1	Swing Arm ASM
9:2	112-3377	2	Bushing-Arm, Control
10	120-5052	1	Rear Frame ASM
10:2	99-7345	1	Decal-Warning

Ref.	Part Number	Qty.	Description
11	119-9597-03	1	Screen-Radiator
12	119-9728	1	Seal-Frame, Rear
13	119-9729-03	1	Reinforcement-Seal
14	3230-2	3	Bolt-CARR
15	325-10	2	Screw-HH
16	325-17	2	Screw-HH
17	325-19	2	Screw-HH
18	104-8300	3	Nut-Flange, NI
19	3234-24	4	Screw-HHF
20	3296-23	4	Nut-Lock, NI
21	3296-45	2	Nut-Lock, NI
22	32128-20	1	Nut-HF
23	32144-4	5	Screw-HWH
24	117-0946	1	Plug-Plastic



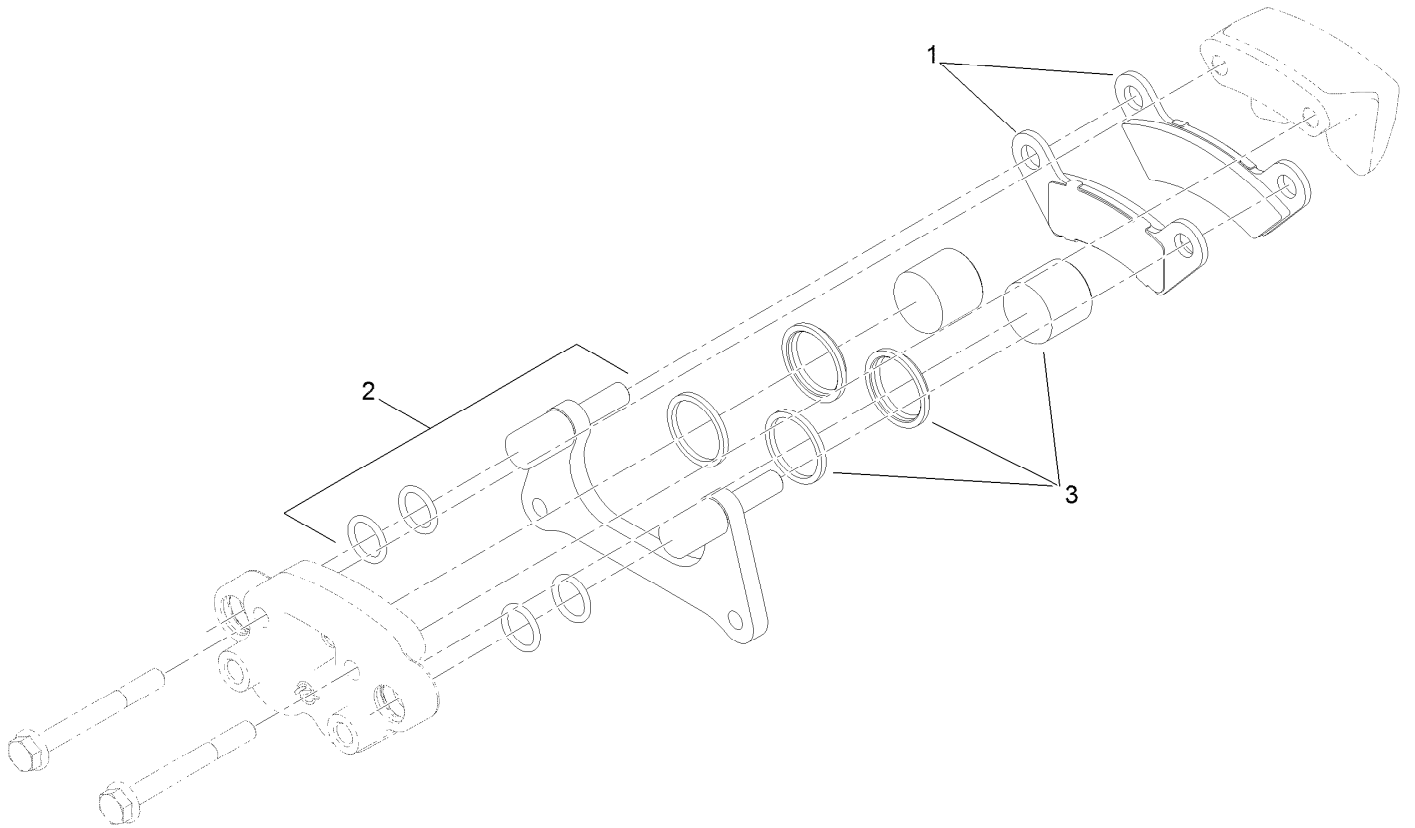
Front Brake Assembly

Ref.	Part Number	Qty.	Description
1	104-6782	1	Master Cylinder ASM
2	127-7424	2	Brake Caliper ASM
3	119-9509	2	Screw-Bleed
4	119-9520	2	Rotor
5	119-9683	1	Front Brake Line ASM
6	114-8324	4	Clip-Line, Brake
7	283-2	1	Pin-Clevis
8	3272-10	1	Pin-Cotter
9	323-6	2	Screw-HH
10	3290-357	2	Nut-HHF, Whiz
11	32104-32	2	Screw-HWH
12	3234-11	4	Screw-HHF
13	120-4875	2	Bolt-Flange, Banjo
14	115-2341	4	Washer-Banjo
15	121-9671	8	Screw-HSBH



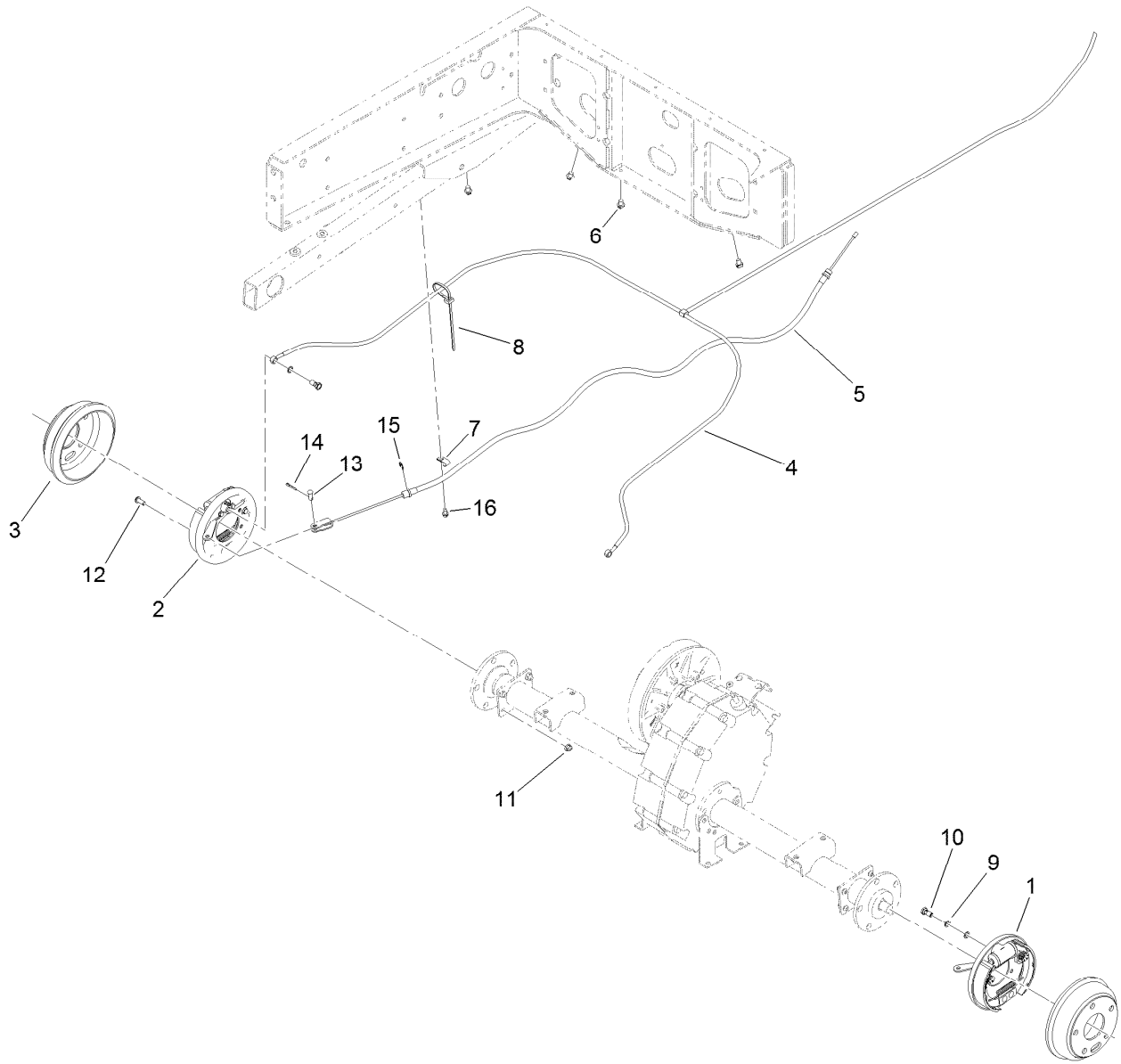
Master Cylinder Assembly No. 104-6782

Ref.	Part Number	Qty.	Description
1	104-6845	1	Reservoir ASM
1:1	92-4112	1	Cap ASM
2	93-8971	2	Seal-Port, Flange
3	92-4103	1	Pin-Stop
4	92-4102	1	Secondary Piston ASM
5	92-4110	1	Clevis
6	21-0360	1	Nut-Hex
7	94-5209	1	Cover-Dust
8	94-5210	1	Rod-Push
9	92-4109	1	Ring-Snap
10	92-4108	1	Retainer-Washer
11	92-4101	1	Primary Piston ASM



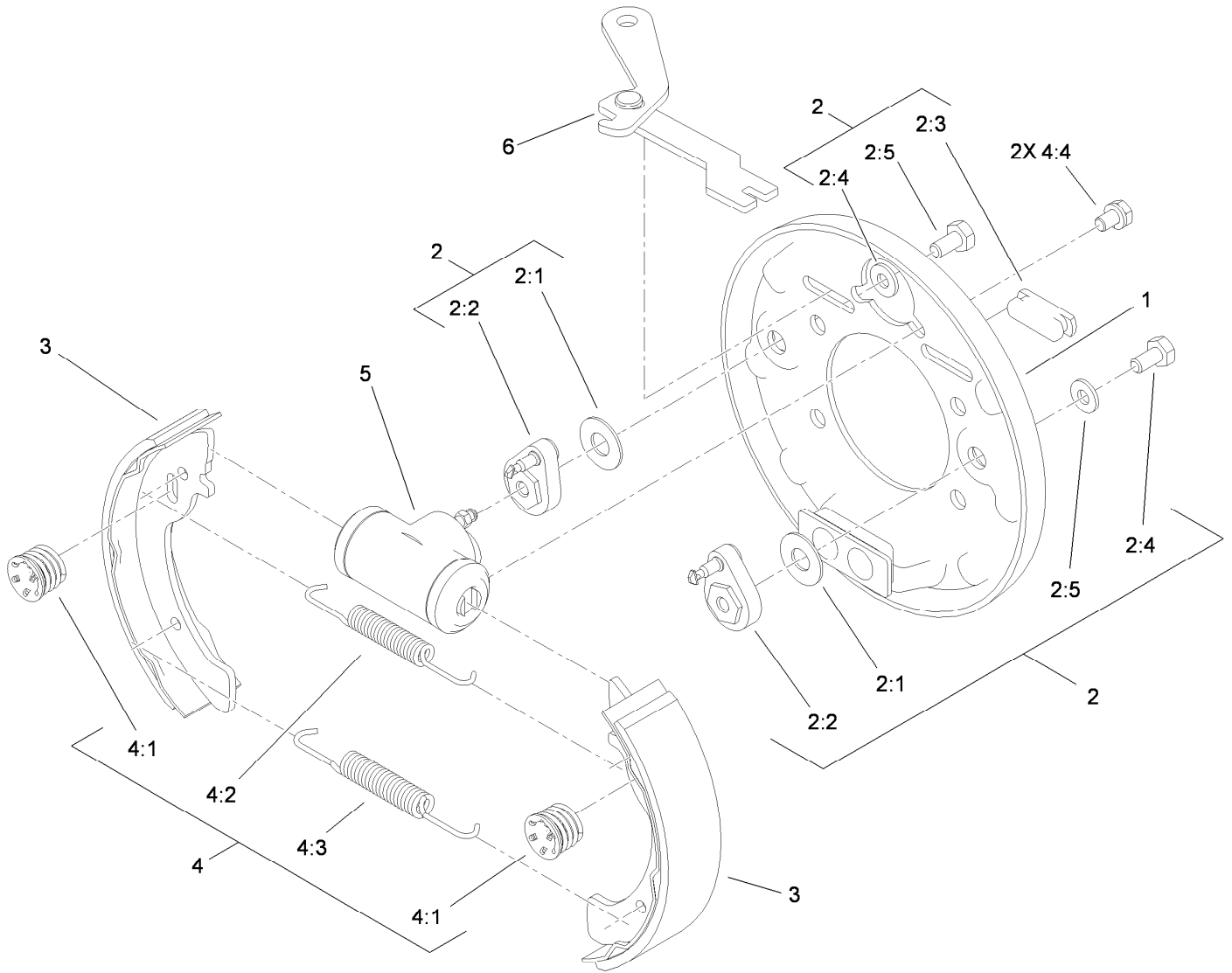
Brake Caliper Assembly No. 127-7424

<i>Ref.</i>	<i>Part Number</i>	<i>Qty.</i>	<i>Description</i>
1	119-9510	1	Pads-Brake
2	119-9511	1	Bracket Kit
3	119-9512	1	Piston Kit



Rear Brake Assembly

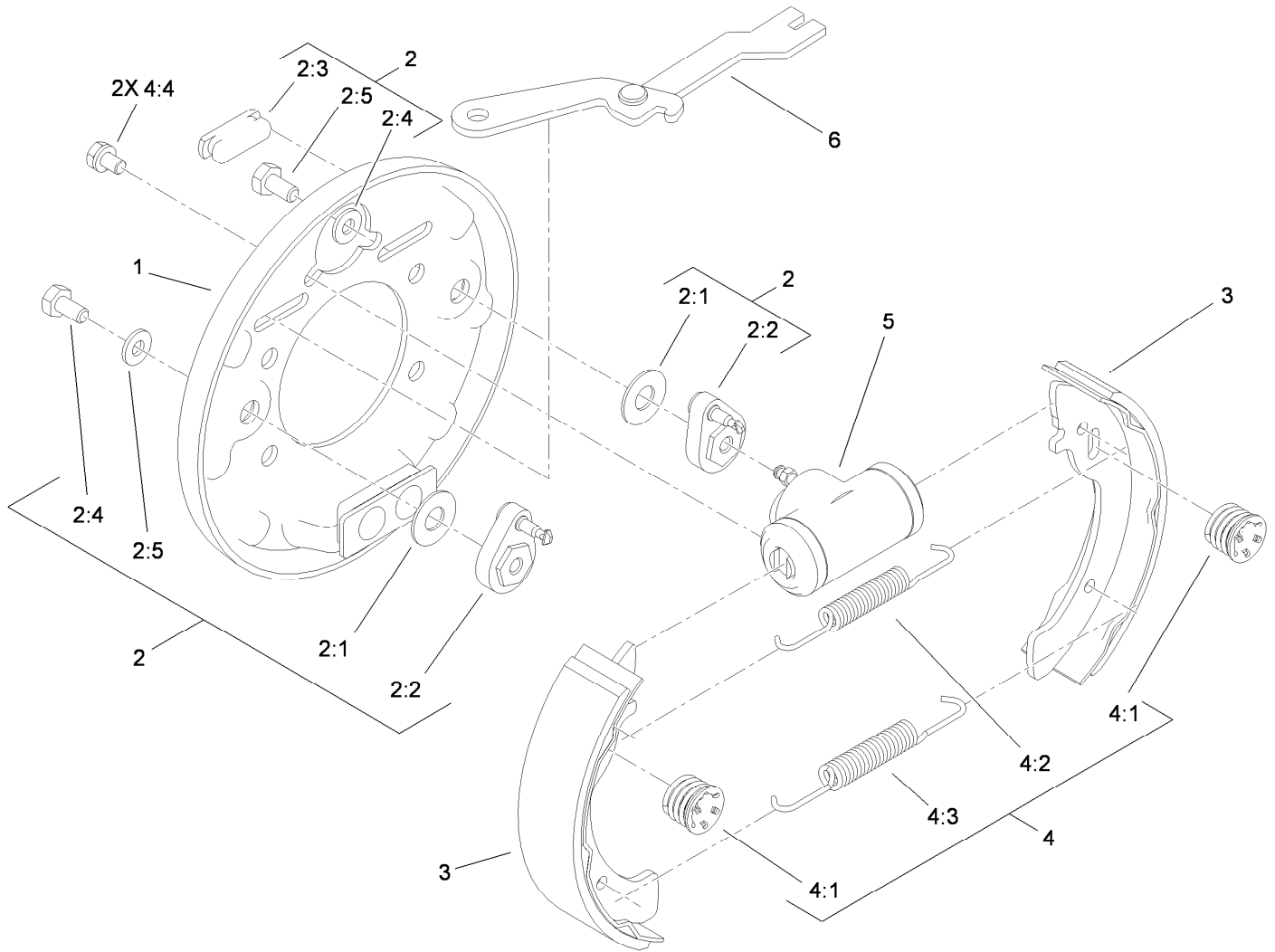
Ref.	Part Number	Qty.	Description	Ref.	Part Number	Qty.	Description
1	114-8331	1	RH Brake ASM	9	115-2341	4	Washer-Banjo
2	114-8332	1	LH Brake ASM	10	115-2340	2	Bolt-Banjo
3	104-6500	2	Drum-Brake	11	104-8300	8	Nut-Flange, NI
4	112-2926	1	Rear Brake Line ASM	12	3274-55	8	Screw-HSBH
5	112-3309	2	Cable-Brake	13	283-62	2	Pin-Clevis
6	32180-030	6	Clip-Tie	14	3272-10	2	Pin-Cotter
7	2412-89	2	Clamp-R	15	32120-47	2	Ring-Retaining, External
8	3290-378	2	Tie-Cable	16	32104-17	2	Screw-HWH



RH Rear Brake Assembly No. 114-8331

Ref.	Part Number	Qty.	Description
1	100-8586	1	Backing Plate ASM
2	104-6820	1	Adjuster Kit
2:1	100-8585	2	Washer-Bellville
2:2	100-8588	2	Adjuster Lever ASM
2:3	100-8584	2	Cover-Dust
2:4		2	Washer ●
2:5		2	Bolt ●
3	104-6818	4	Shoe And Lining Kit
4	104-6819	1	Hardware Kit
4:1	100-8583	2	Shoe Hold Down Spring ASM
4:2	100-8581	2	Spring-Upper
4:3	100-8582	2	Spring-Lower
4:4		2	Bolt And Washer ●
5	114-8333	1	Wheel Cylinder ASM
6	104-6826	1	RH Park Brake Lever ASM

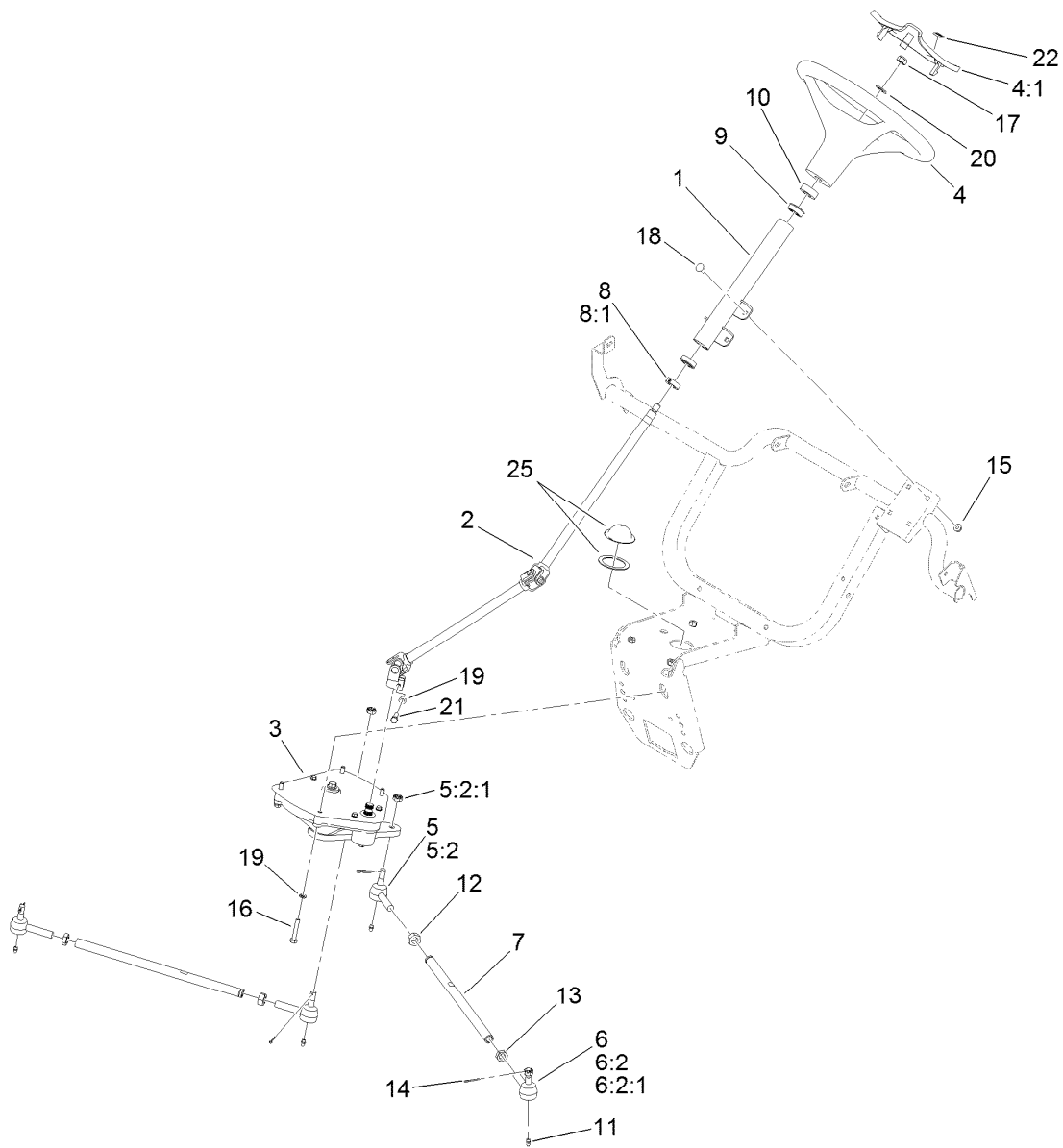
● Not serviced separately



LH Rear Brake Assembly No. 114-8332

Ref.	Part Number	Qty.	Description
1	100-8586	1	Backing Plate ASM
2	104-6820	1	Adjuster Kit
2:1	100-8585	2	Washer-Bellville
2:2	100-8588	2	Adjuster Lever ASM
2:3	100-8584	2	Cover-Dust
2:4		2	Washer ●
2:5		2	Bolt ●
3	104-6818	4	Shoe And Lining Kit
4	104-6819	1	Hardware Kit
4:1	100-8583	2	Shoe Hold Down Spring ASM
4:2	100-8581	2	Spring-Upper
4:3	100-8582	2	Spring-Lower
4:4		2	Bolt And Washer ●
5	114-8333	1	Wheel Cylinder ASM
6	104-6825	1	LH Park Brake Lever ASM

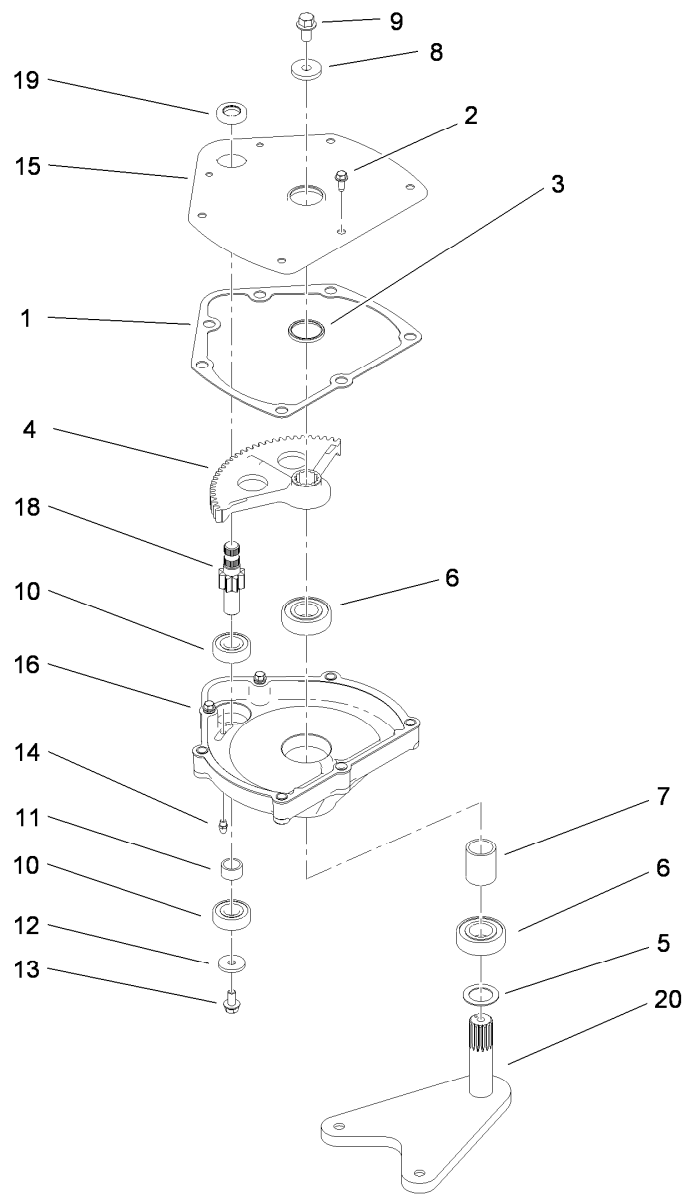
● Not serviced separately



Steering Assembly

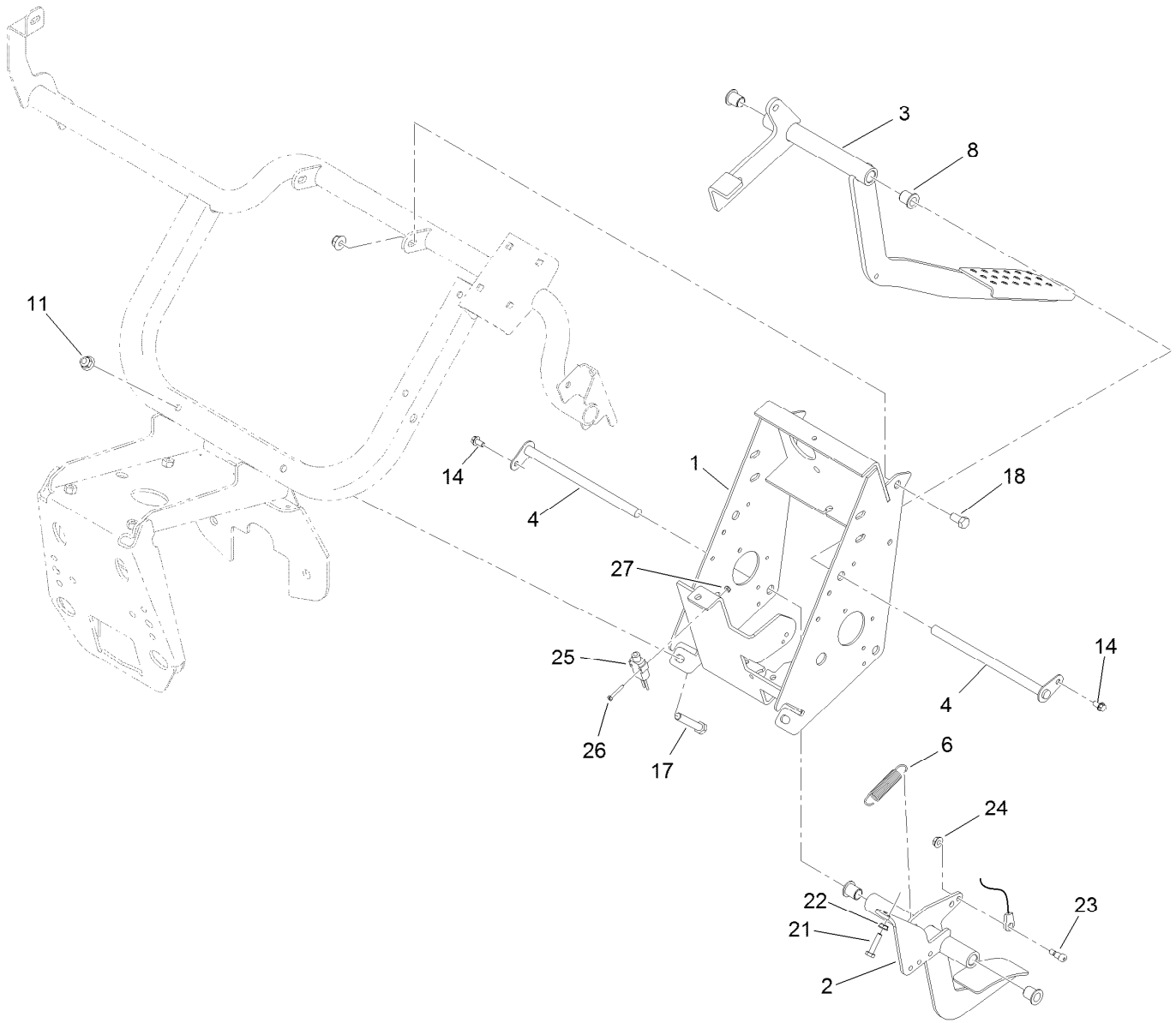
Ref.	Part Number	Qty.	Description	Ref.	Part Number	Qty.	Description
1	112-3264-03	1	Column	10	21-9260	1	Cover-Dust
2	112-3355	1	Steering Shaft ASM	11	302-5	4	Fitting-Grease
3	112-3130	1	Steering Box ASM	12	3218-21	2	Nut-Jam
4	98-1471	1	Wheel-Steering	13	3220-11	2	Nut-Jam
4:1	98-1468	1	Cover-Wheel, Steering	14	3272-7	4	Pin-Cotter
5	112771-03	2	Joint-Ball, LH	15	104-8300	4	Nut-Flange, NI
5:2		1	Socket-Balljoint ●	16	112-3305	4	Screw-HH
5:2:1	915031	1	Nut	17	119-9493	1	Nut-Lock, NI
6	112772-03	2	Joint-Ball, RH	18	3230-1	4	Bolt-CARR
6:2		1	Socket-Balljoint ●	19	3253-4	5	Washer-Lock
6:2:1	915031	1	Nut	20	3256-26	1	Washer-Flat
7	115-7654	2	Tie Rod	21	48-7730	1	Screw-Cap, HH
8	111383	1	Collar	22	98-1459	1	Decal
8:1	3245-32	1	Screw-HSH	25	120-5049	1	Steering Box Cover Kit
9	112-3262	2	Bearing				

● Not serviced separately



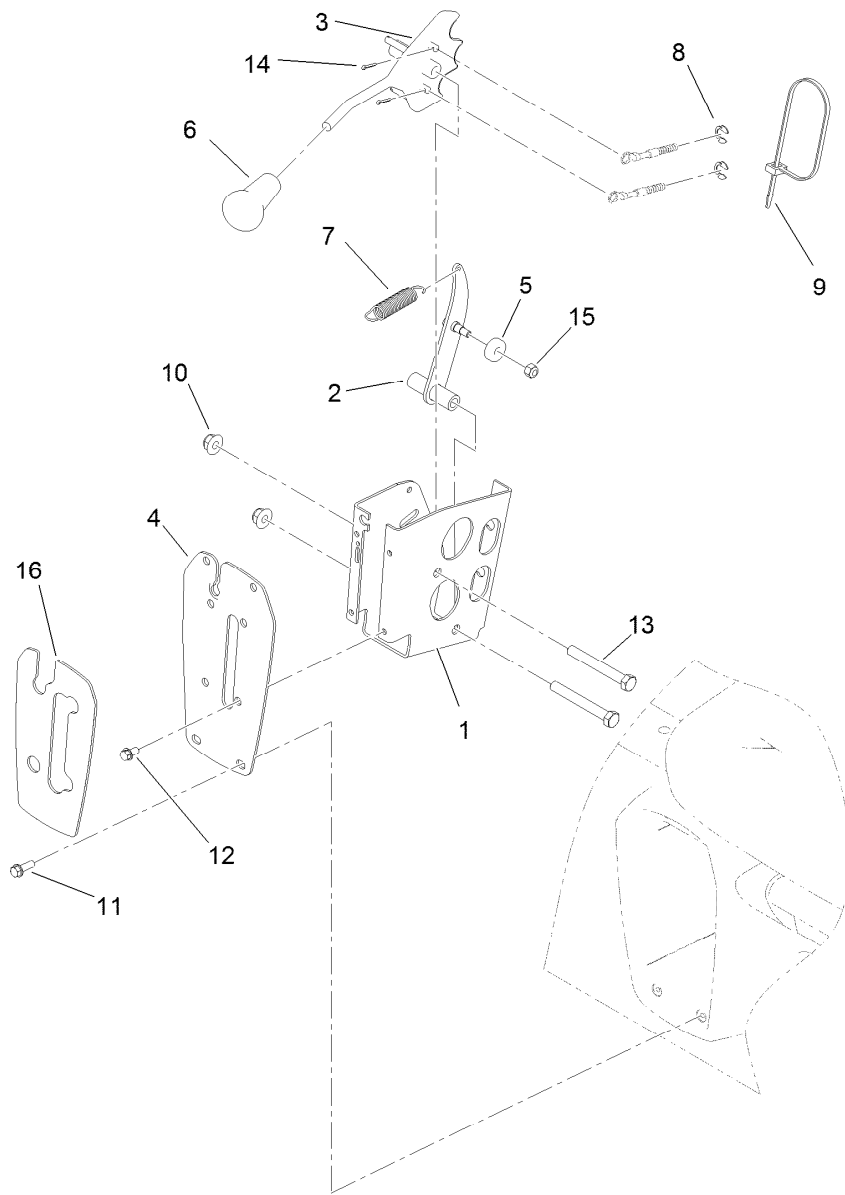
Steering Box Assembly No. 112-3130

<i>Ref.</i>	<i>Part Number</i>	<i>Qty.</i>	<i>Description</i>	<i>Ref.</i>	<i>Part Number</i>	<i>Qty.</i>	<i>Description</i>
1	94-2135	1	Gasket	11	94-2217	1	Spacer-Shaft, Input
2	32144-10	3	Screw-HWH	12	1-613235	1	Washer
3	103118	1	Seal	13	98-3498	1	Screw-HH
4	99-7843	1	Sector-Gear	14	302-5	1	Fitting-Grease
5	3256-42	1	Washer-Flat	15	112-2918-03	1	Cover-Housing, Steering
6	251-82	2	Bearing-Ball	16	114-8309	1	Housing-Steering
7	112-2917	1	Spacer	18	115-7726	1	Gear-Pinion
8	104-6563	1	Washer-Stepped	19	99-7657	1	Seal-Oil
9	104-7156	1	Screw-HHF	20	112-3096-03	1	Arm-Pitman
10	38-7820	2	Bearing-Ball				



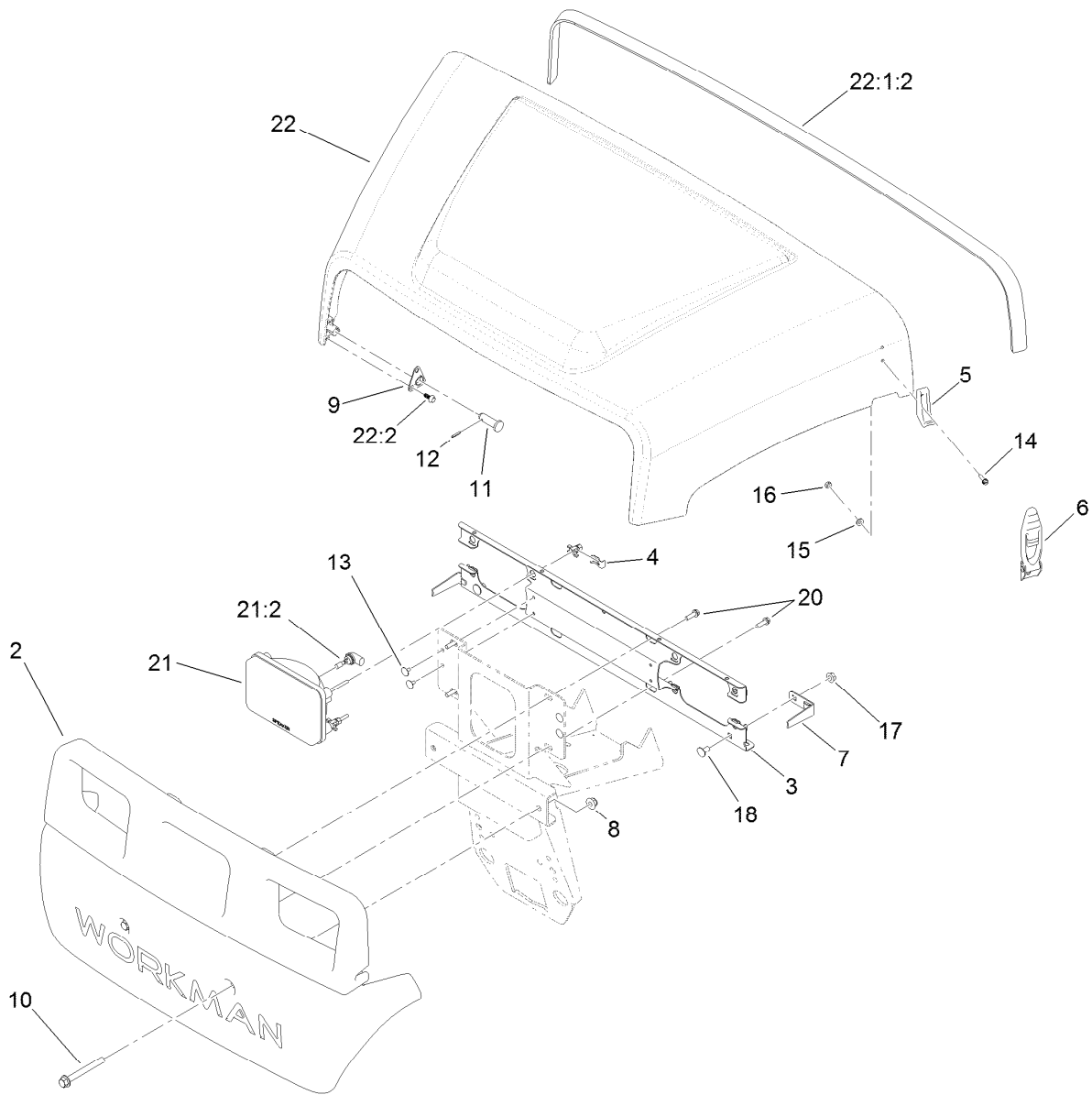
Pedal Box Assembly

<i>Ref.</i>	<i>Part Number</i>	<i>Qty.</i>	<i>Description</i>	<i>Ref.</i>	<i>Part Number</i>	<i>Qty.</i>	<i>Description</i>
1	119-0748-03	1	Support-Pedal	18	323-4	2	Screw-HH
2	119-9747-03	1	Pedal-Throttle	21	321-7	1	Screw-HH
3	112-3314-03	1	Pedal-Brake	22	32149-2	1	Nut-Keps
4	104-7164	2	Pivot-Pedal	23	119-4881	1	Bolt-Shoulder
6	104-6415	1	Spring-Return, Pedal	24	32128-33	1	Nut-HF
8	125-8775	4	Bushing-Flange	25	95-8900	1	Switch
11	104-8301	4	Nut-Flange, NI	26	32105-9	2	Screw
14	32144-4	2	Screw-HWH	27	3296-9	2	Nut-Lock
17	323-11	2	Screw-HH				



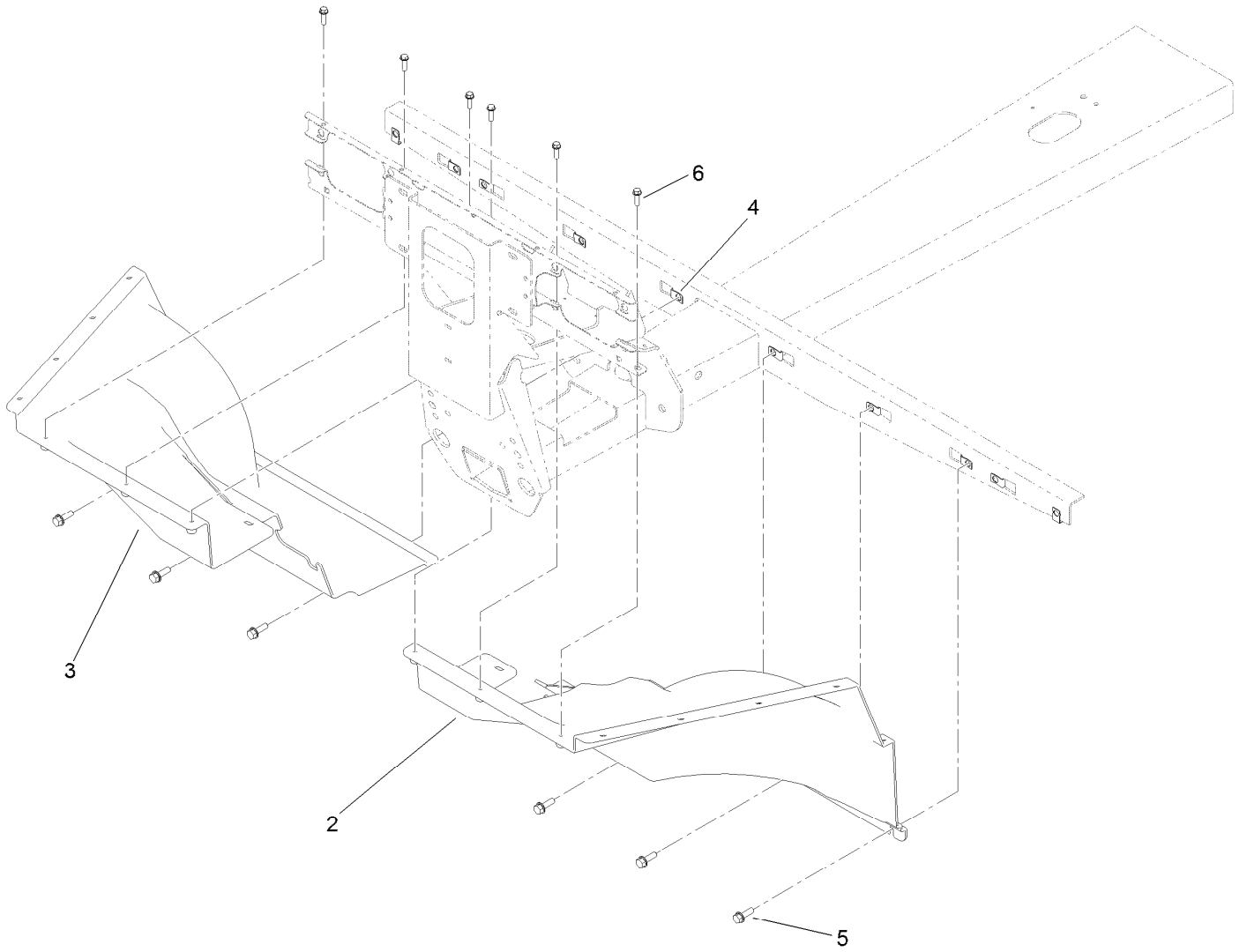
Shifter Assembly

<i>Ref.</i>	<i>Part Number</i>	<i>Qty.</i>	<i>Description</i>	<i>Ref.</i>	<i>Part Number</i>	<i>Qty.</i>	<i>Description</i>
1	108-3141-03	1	Bracket-Shift	9	3290-378	1	Tie-Cable
2	108-3138	1	Arm-Detent	10	104-8301	2	Nut-Flange, NI
3	114-2719	1	Plate-Detent	11	32105-15	4	Screw-HWH
4	99-7887-03	1	Plate-Shifter	12	32144-4	4	Screw-HWH
5	251-307	1	Bearing-Ball	13	323-14	2	Screw-HH
6	99-7981	1	Knob-Grip, Soft	14	3272-5	2	Pin-Cotter
7	104-6415	1	Spring-Return, Pedal	15	3296-42	1	Nut-Lock, NI
8	32151-101	2	E-Ring	16	99-7952	1	Decal-Shifter



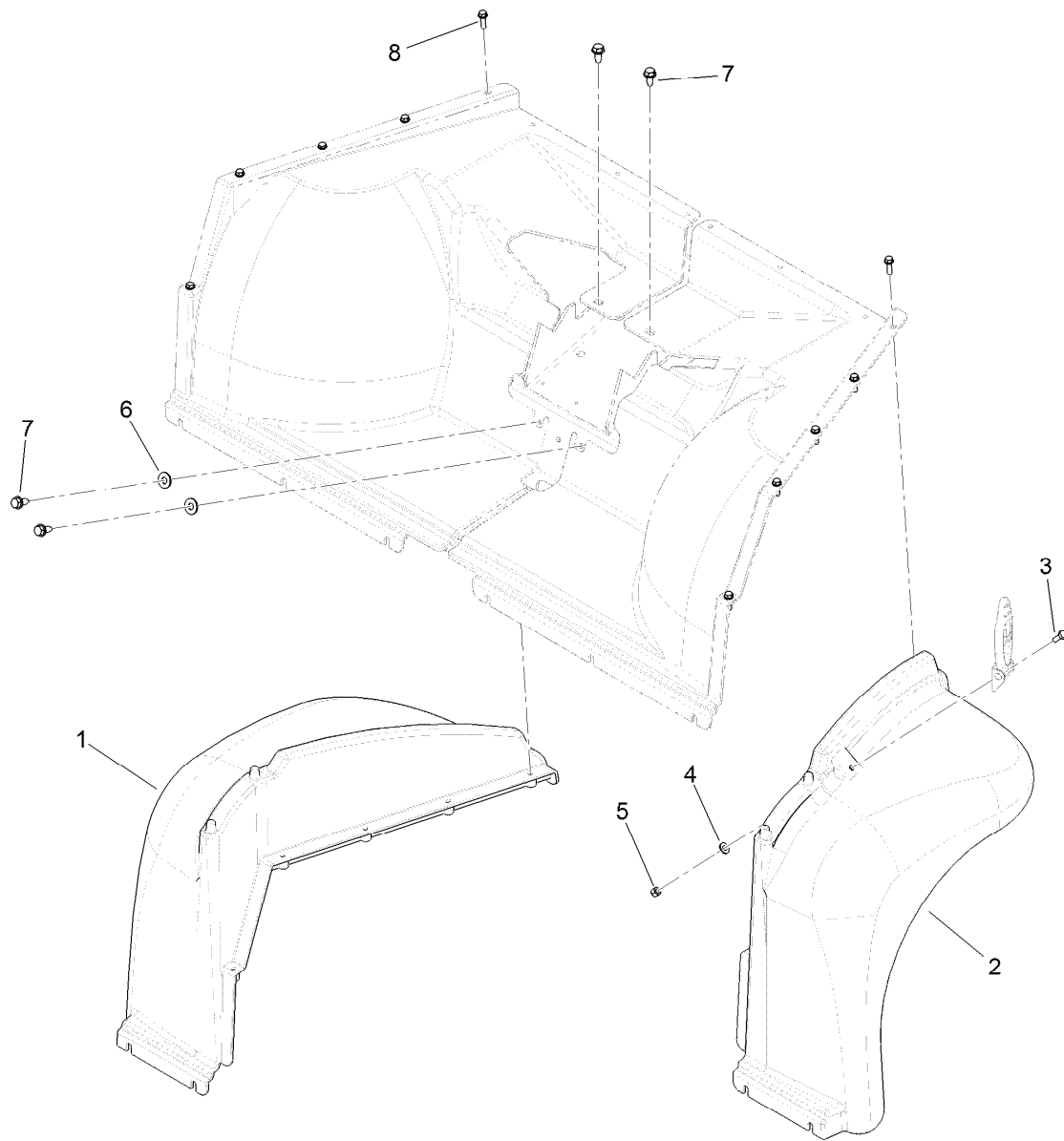
Hood and Bumper Assembly

<i>Ref.</i>	<i>Part Number</i>	<i>Qty.</i>	<i>Description</i>	<i>Ref.</i>	<i>Part Number</i>	<i>Qty.</i>	<i>Description</i>
2	112-3365	1	Bumper	14	32105-13	4	Screw-HWH
3	119-0841-03	1	Bracket-Headlight	15	3256-14	4	Washer-Flat
4	115-2408	6	Clip-Speed	16	3296-2	4	Nut-Lock, NI
5	103-2897	2	Latch-Catch	17	32128-20	2	Nut-HF
6	115-2416	2	Latch-Rubber	18	3230-18	2	Screw-CARR
7	112-3373	2	Keeper-Pivot, Hood	20	46-8091	4	Screw-HWH
8	104-8301	2	Nut-Flange, NI	21	114-8322	2	Headlight ASM
9	112-3308	2	Retainer-Pin	21:2	115-2395	1	Light Bulb ASM
10	115-7660	2	Screw-HHF	22	121-9606	1	Hood ASM
11	117-5094	2	Pin-Clevis	22:1:2	115-7635	1	Seal-Foam
12	32121-50	2	Pin-Spring	22:2	121-9605	6	Screw-HWH
13	146489	4	Rivet				



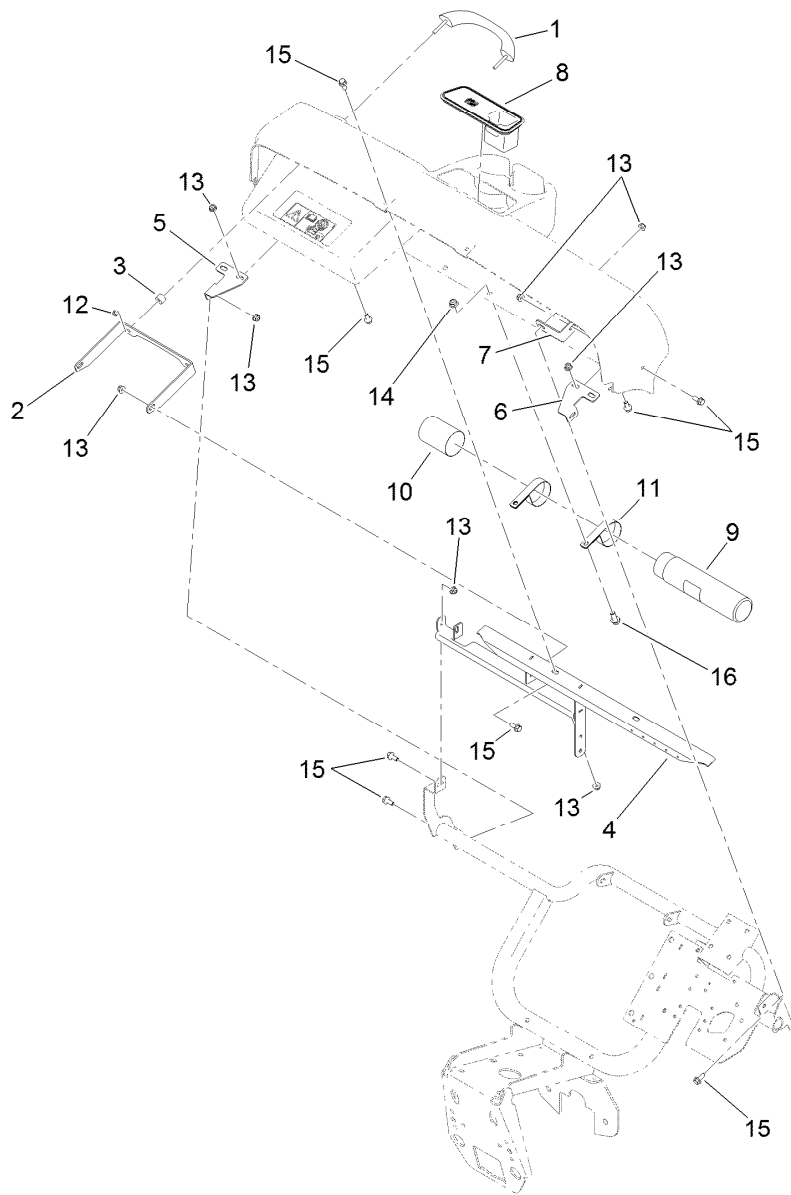
Fender Well Assembly

<i>Ref.</i>	<i>Part Number</i>	<i>Qty.</i>	<i>Description</i>
2	112-3369	1	Well-Fender, LH
3	112-3368	1	Well-Fender, RH
4	112-3306	10	Nut
5	3234-29	10	Screw-HHF
6	46-8091	6	Screw-HWH



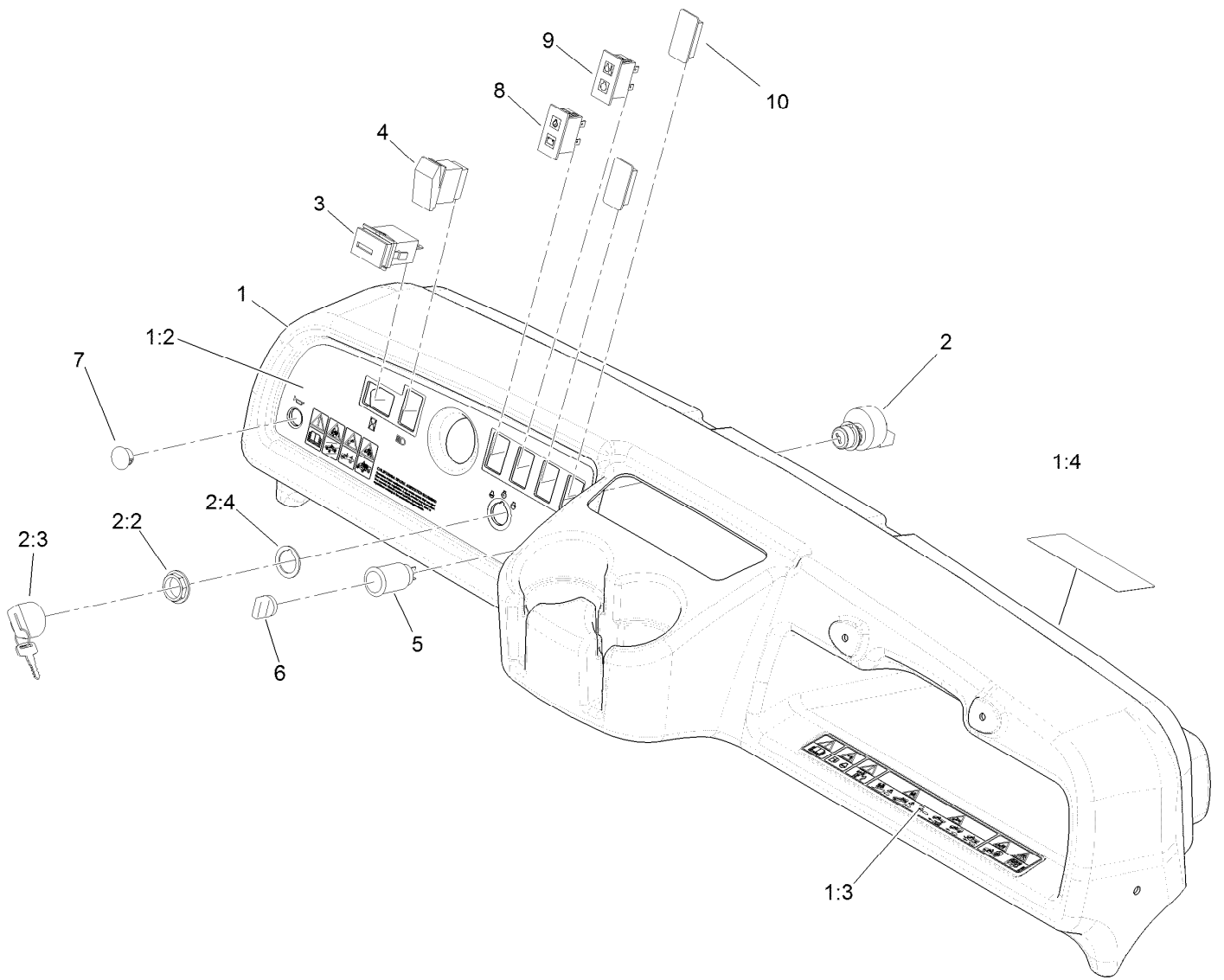
Fender Assembly

<i>Ref.</i>	<i>Part Number</i>	<i>Qty.</i>	<i>Description</i>
1	112-3371	1	Fender-LH
2	112-3370	1	Fender-RH
3	321-39	2	Screw-HH
4	3256-22	2	Washer-Flat
5	3296-42	2	Nut-Lock, NI
6	3256-71	2	Washer-Flat
7	32104-32	4	Screw-HWH
8	46-8091	10	Screw-HWH



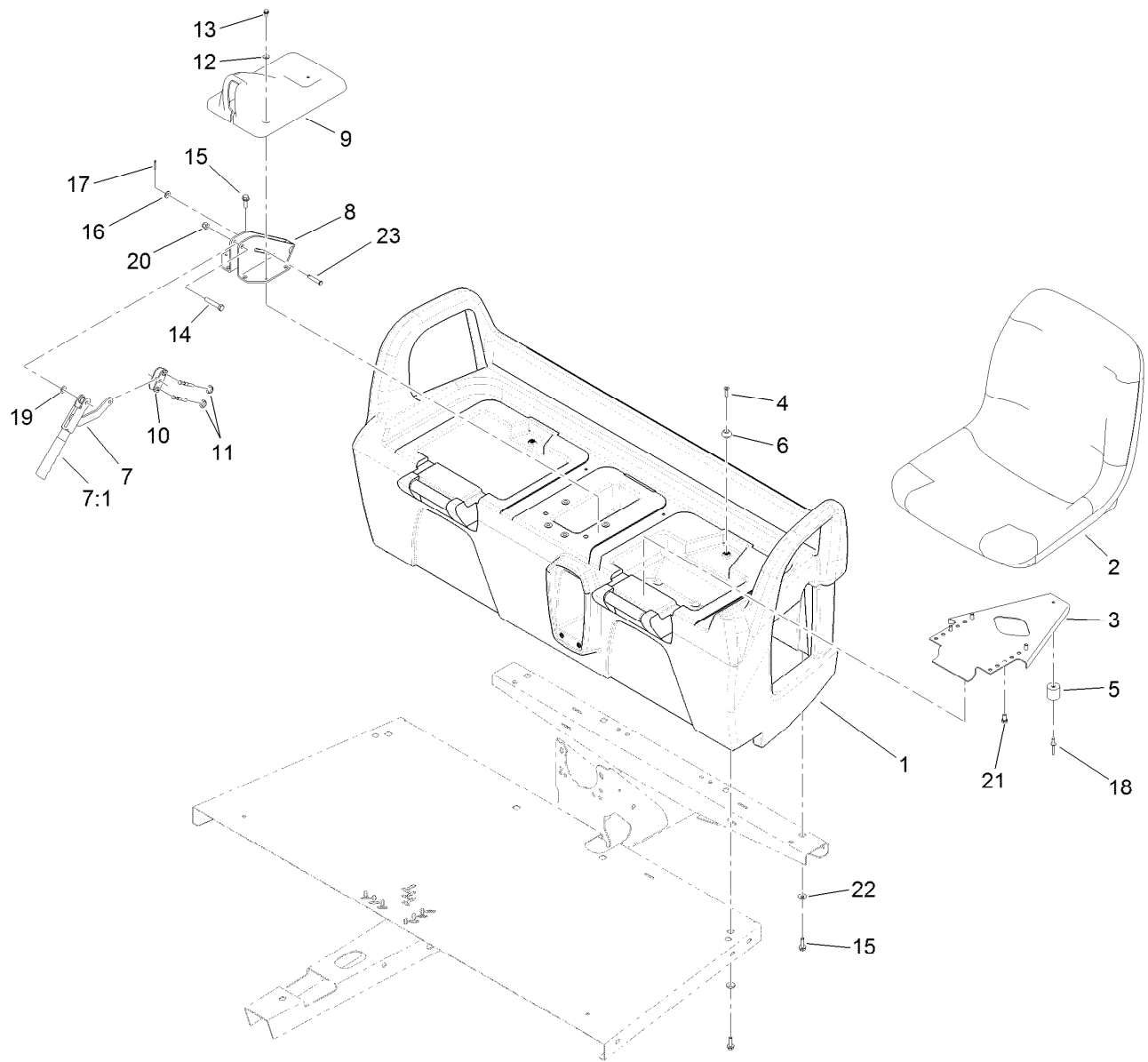
Dash Installation Assembly

<i>Ref.</i>	<i>Part Number</i>	<i>Qty.</i>	<i>Description</i>	<i>Ref.</i>	<i>Part Number</i>	<i>Qty.</i>	<i>Description</i>
1	112-3320	1	Handle-Grip	9	104-7050	1	Tube-Manual
2	112-3391-03	1	Bracket-Grip, Handle	10	104-7048	1	Cap-Housing
3	114-8301	2	Spacer	11	2412-133	2	R-Clamp
4	115-7651-03	1	Support-Dash	12	104-7201	2	Nut-HF
5	114-8304	1	Bracket-Mount, Dash (RH)	13	104-8300	15	Nut-Flange, NI
6	114-8312	1	Bracket-Mount, Dash (LH)	14	104-8301	2	Nut-Flange, NI
7	114-8305	1	Angle-Mount, Dash (LH)	15	110-5053	15	Screw-HHF
8	104-6930	1	Plug-Rubber	16	3234-11	2	Screw-HHF



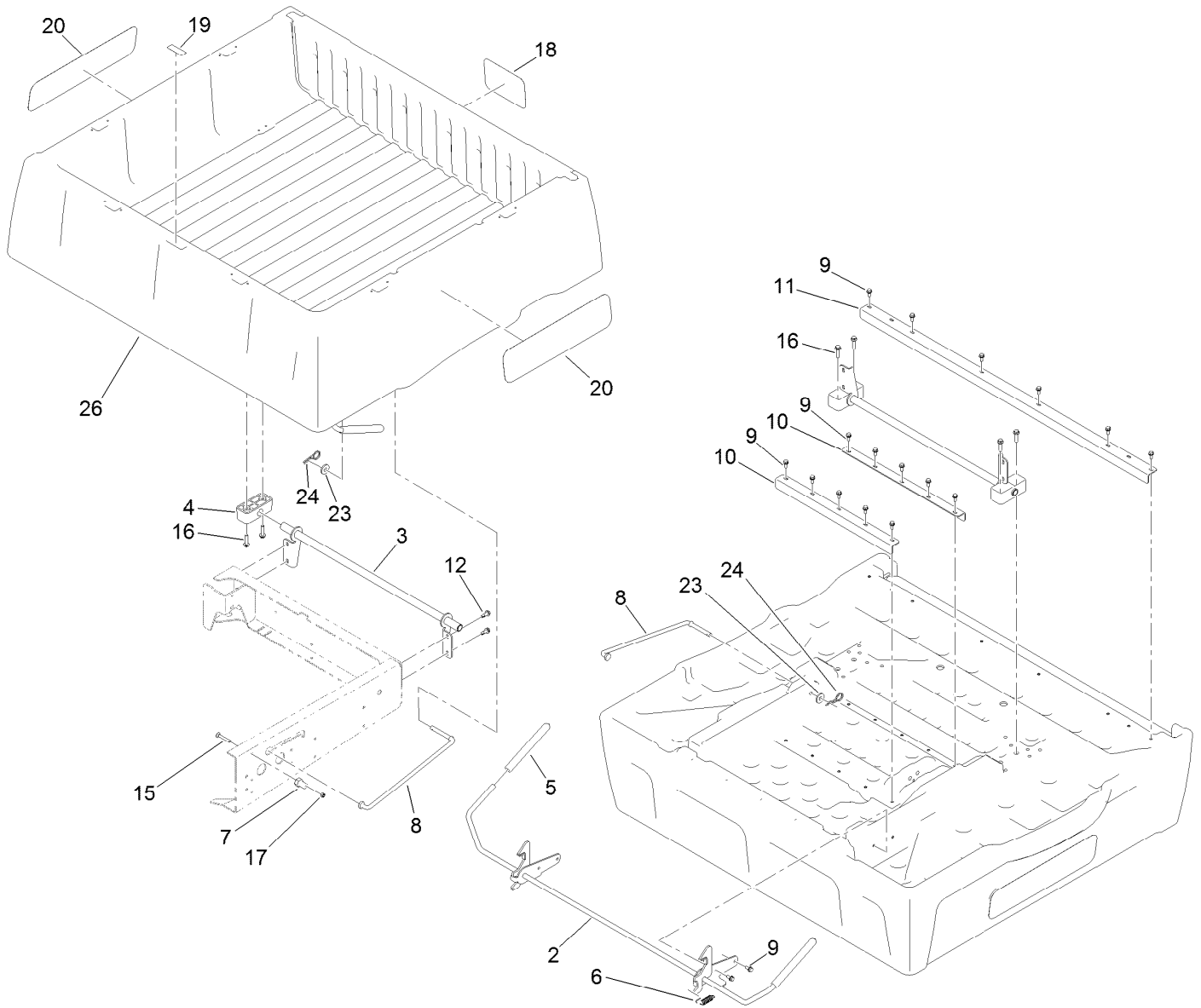
Dash Assembly

<i>Ref.</i>	<i>Part Number</i>	<i>Qty.</i>	<i>Description</i>	<i>Ref.</i>	<i>Part Number</i>	<i>Qty.</i>	<i>Description</i>
1	119-9726	1	Dash ASM	3	94-4208	1	Hourmeter
1:2	119-9727	1	Decal-Panel, Control	4	95-8999	1	Switch
1:3	104-6581	1	Decal-Danger	5	99-7411	1	Point-Power
1:4	115-2412	1	Decal-No Storage	6	99-7416	1	Cap
2	106-5269	1	Ignition Switch ASM	7	94-5627	1	Plug
2:2	108-8660	1	Nut-Mounting	8	100-8070	1	Lamp-Warning
2:3	106-5270	1	Ignition Key Set	9	100-8071	1	Lamp-Warning
2:4	108-8659	1	Washer-Backup	10	99-7420	2	Plug-Hole



Seatbase Assembly

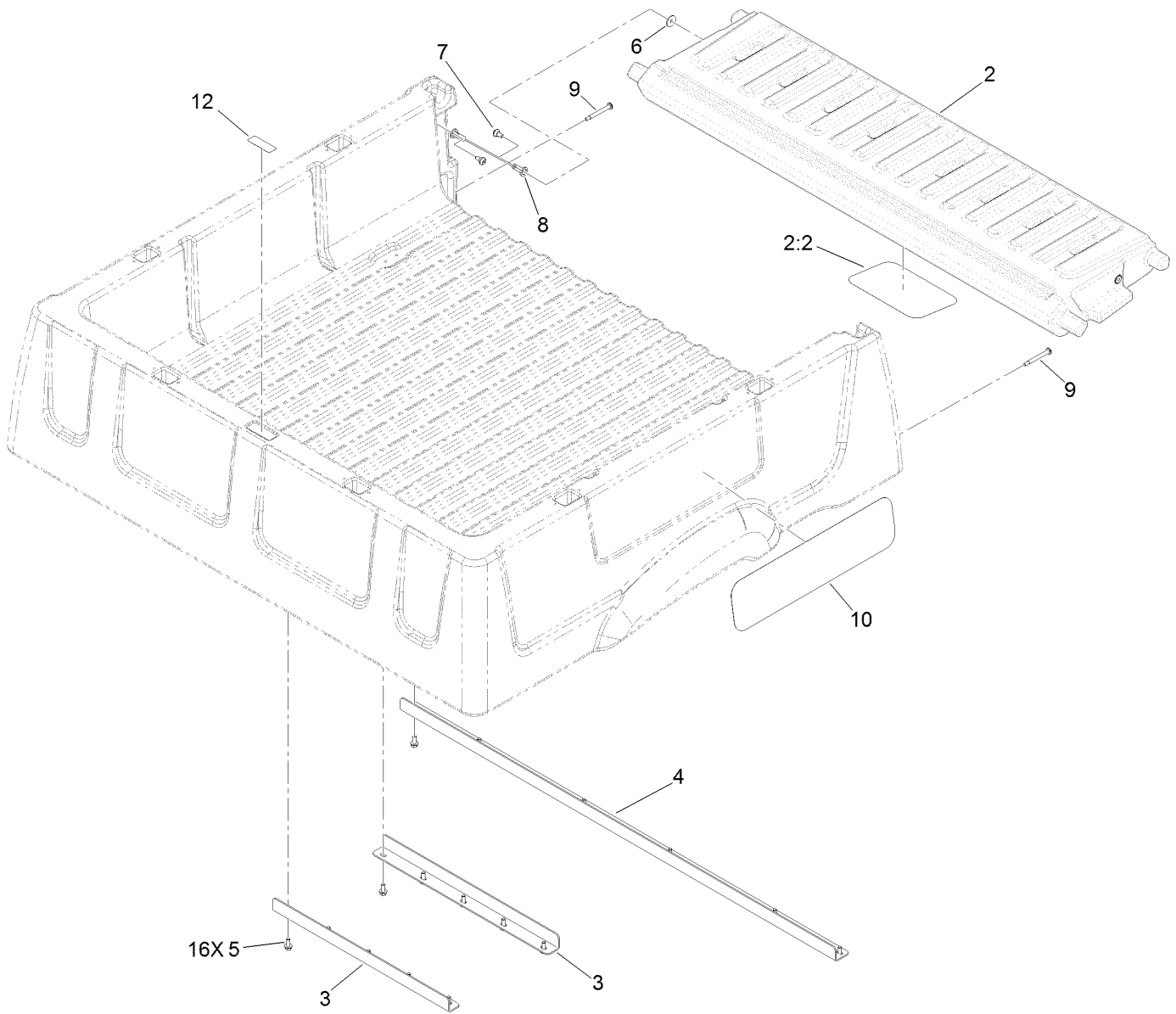
<i>Ref.</i>	<i>Part Number</i>	<i>Qty.</i>	<i>Description</i>	<i>Ref.</i>	<i>Part Number</i>	<i>Qty.</i>	<i>Description</i>
1	104-6847	1	Seat Base ASM	12	3256-1	2	Washer-Flat
2	112-2923	2	Seat ASM	13	32144-4	2	Screw-HWH
3	99-7829	2	Bracket-Seat	14	323-10	1	Screw-HH
4	32108-5	2	Screw-FH	15	3234-17	12	Screw-HHF
5	99-7830	2	Rubber Receptical ASM	16	3256-23	1	Washer-Flat
6	99-7833	2	Post-Holding	17	3272-6	1	Pin-Cotter
7	104-6842	1	Lever-Brake, Park	18	3290-412	2	Rivet
7:1	106-7972	1	Grip-Handle	19	3290-477	1	Washer-Curved
8	104-6844-03	1	Support-Brake, Park	20	3296-39	1	Nut-Lock, NI
9	104-7014	1	Cover-Brake, Parking	21	33114-016	8	Screw-HH
10	87-3480	1	Bracket-Equalizer, Cable	22	88-7200	8	Washer-Flat
11	32120-47	2	Ring-Retaining, External	23	94-3829	1	Pin-Clevis



Cargo Bed Assembly

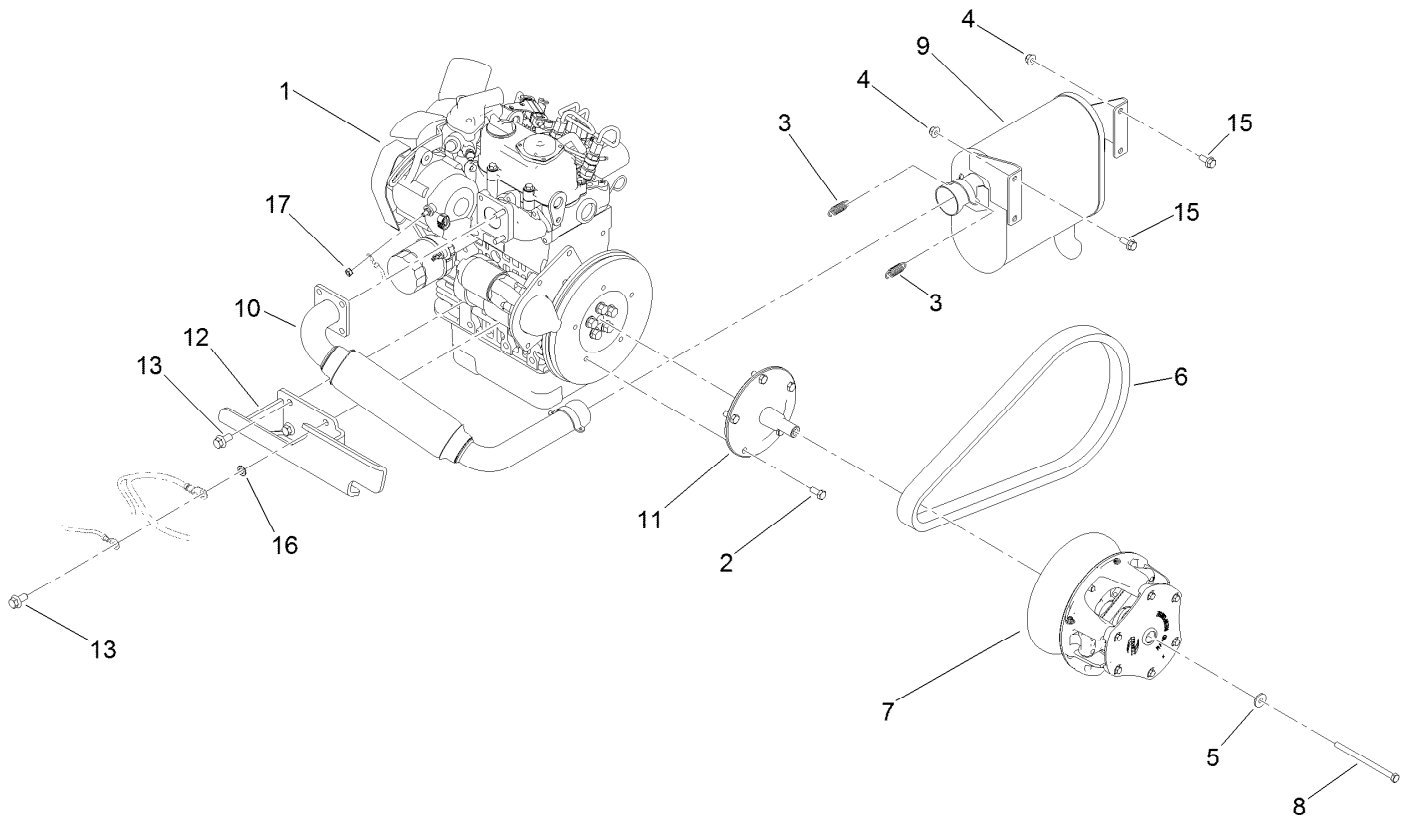
<i>Ref.</i>	<i>Part Number</i>	<i>Qty.</i>	<i>Description</i>
2	121-6344	1	Latch ASM
3	119-0848-03	1	Bracket-Pivot
4	121-6342	2	Bushing-Pivot
5	119-9627	2	Grip-Handle
6	5-7290	2	Spring-Tension
7	104-7248	2	Pin-Latch
8	121-6316	1	Rod-Prop
9	3234-5	20	Screw-HHF
10	121-6314-03	2	Brace-Bed, Middle
11	121-6315-03	1	Brace-Bed, Rear
12	105-6245	4	Screw-Tapping

<i>Ref.</i>	<i>Part Number</i>	<i>Qty.</i>	<i>Description</i>
15	3230-7	2	Bolt-CARR
16	3234-18	4	Screw-HHF
17	3296-29	2	Nut-Lock, NI
18	104-7213	1	Decal
19	115-7739	1	Decal-No Riders
20	120-4826	2	Decal
23	110-6147	1	Washer-Flat
24	107-3155	1	Hairpin
26	127-7384	1	Complete Cargo Bed Service ASM



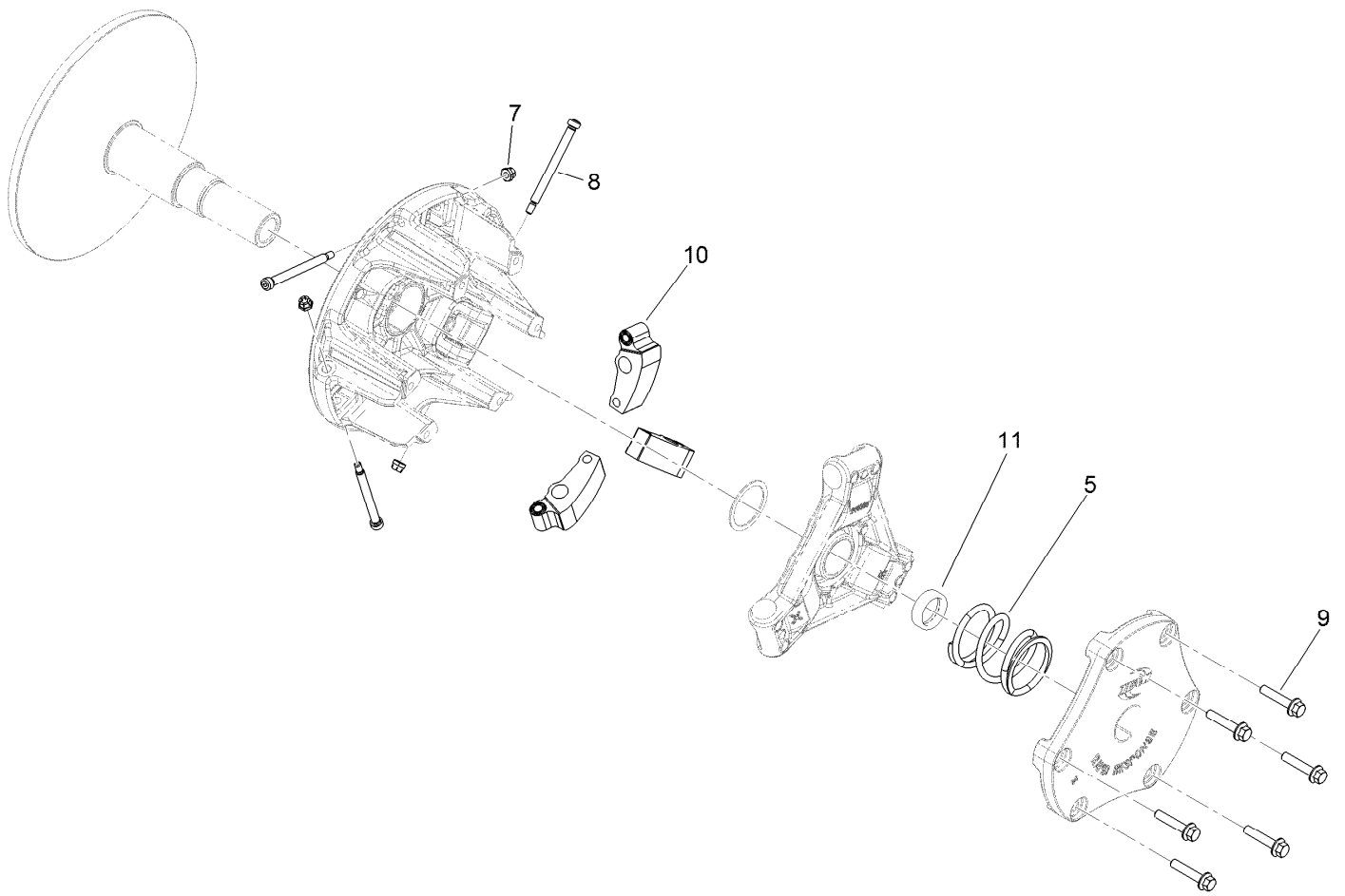
Cargo Bed Service Assembly No. 127-7384

<i>Ref.</i>	<i>Part Number</i>	<i>Qty.</i>	<i>Description</i>
2	127-7396	1	Tailgate ASM
2:2	104-7213	1	Decal
3	121-6314-03	2	Brace-Bed, Middle
4	121-6315-03	1	Brace-Bed, Rear
5	3234-5	16	Screw-HHF
6	115-7109	2	Washer-Flat
7	119-2267	4	Screw-Shoulder, BHTF
8	121-6343	2	Lanyard-Tailgate
9	127-7383	2	Screw-Shoulder, Bh (Torx)
10	120-4825	2	Decal
12	115-7739	1	Decal-No Riders



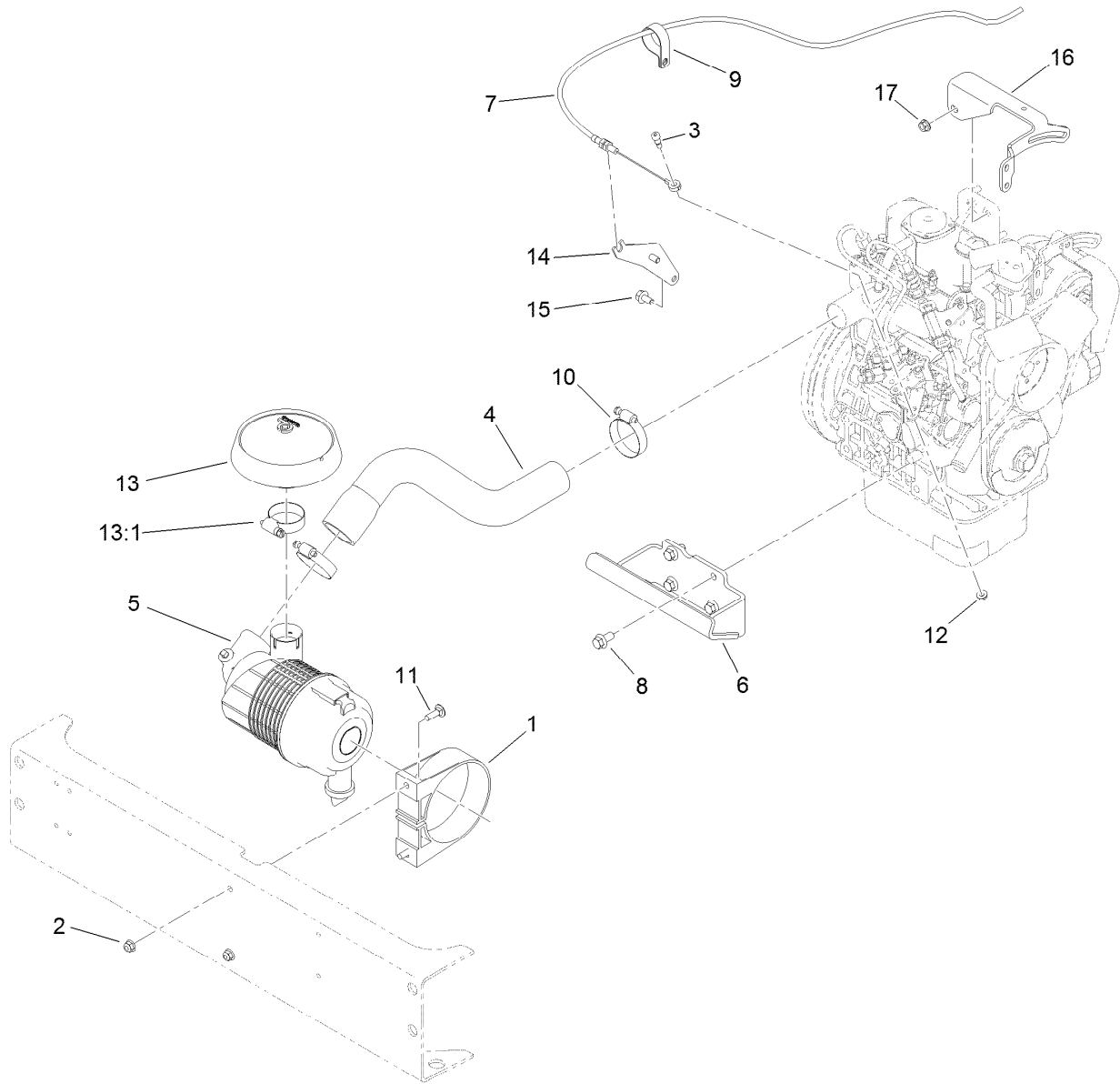
Engine, Primary Clutch and Exhaust Assembly

<i>Ref.</i>	<i>Part Number</i>	<i>Qty.</i>	<i>Description</i>	<i>Ref.</i>	<i>Part Number</i>	<i>Qty.</i>	<i>Description</i>
1	127-9650	1	Engine-Kubota, Z602	9	119-9715	1	Muffler-Exhaust
2	33114-016	5	Screw-HH	10	119-9716	1	Header-Exhaust
3	104-6478	2	Spring-Extension	11	119-9722	1	Adapter-Clutch
4	104-8300	4	Nut-Flange, NI	12	120-4940-03	1	Front Engine Mount ASM
5	119-0724	1	Washer-Flange	13	120-4839	4	Screw-HHF
6	119-0934	1	Belt-Cvt	15	3234-47	4	Screw-HHF
7	119-9610	1	Clutch-Primary	16	3255-9	1	Washer-Lock
8	107-0277	1	Screw-HH	17	98-5845	1	Nut-Hex



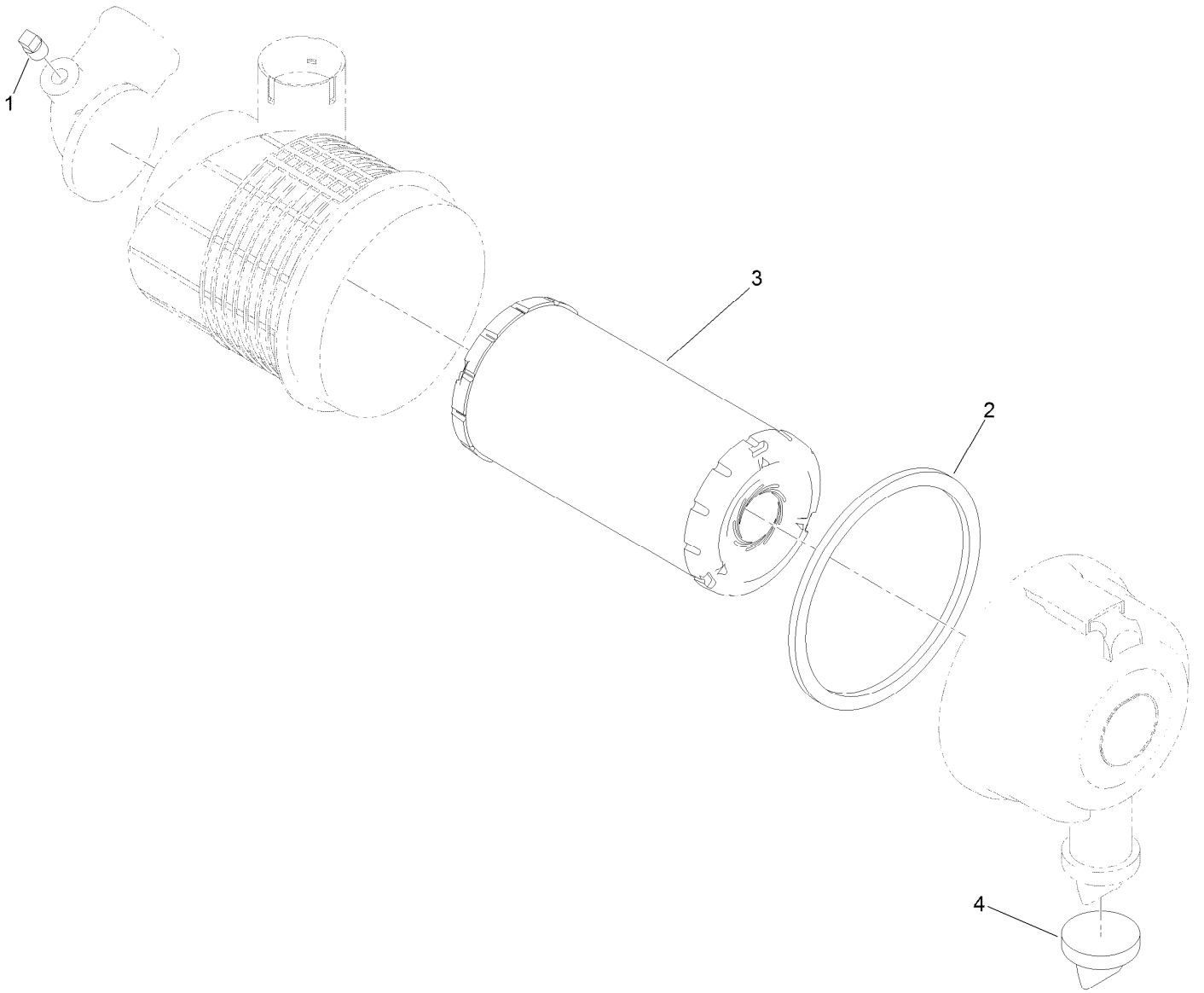
Primary Clutch Assembly No. 119-9610

<i>Ref.</i>	<i>Part Number</i>	<i>Qty.</i>	<i>Description</i>
5	120-4807	1	Spring-Compression
7	119-6015	3	Nut-Hex, Lock
8	119-6016	3	Screw-Shoulder
9	119-6017	6	Screw-HF
10	119-6019	3	Weight-Clutch
11	120-4803	1	Shim-Limiter, Speed



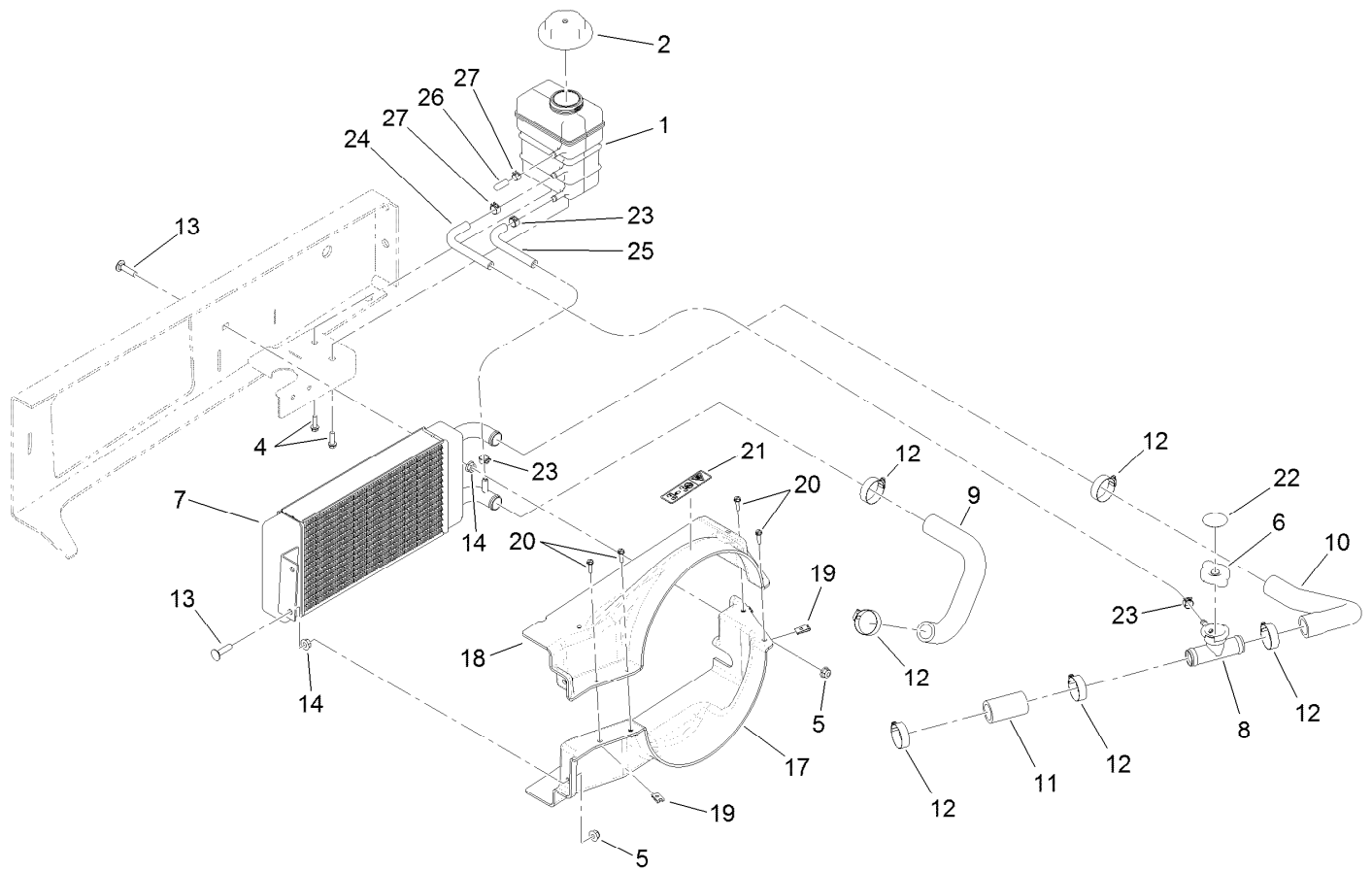
Air Cleaner, Throttle and Engine Mount Assembly

<i>Ref.</i>	<i>Part Number</i>	<i>Qty.</i>	<i>Description</i>	<i>Ref.</i>	<i>Part Number</i>	<i>Qty.</i>	<i>Description</i>
1	95-5806	1	Bracket-Mounting	10	2412-92	2	Clamp-Hose
2	104-8300	2	Nut-Flange, NI	11	3230-2	2	Bolt-CARR
3	119-4881	1	Bolt-Shoulder	12	32128-33	1	Nut-HF
4	119-9707	1	Hose-Intake, Air	13	120-4848	1	Hood-Inlet, Air
5	119-9714	1	Air Cleaner ASM	13:1	2412-130	1	Clamp-Hose
6	119-9739-03	1	Rear Engine Mount ASM	14	119-9453-03	1	Mount-Cable, Throttle
7	119-9746	1	Cable-Throttle	15	33104-016	2	Screw-HHF
8	120-4839	4	Screw-HHF	16	120-4847-03	1	Bracket-Alternator
9	2412-74	1	R-Clamp	17	112-2844	1	Nut-HF



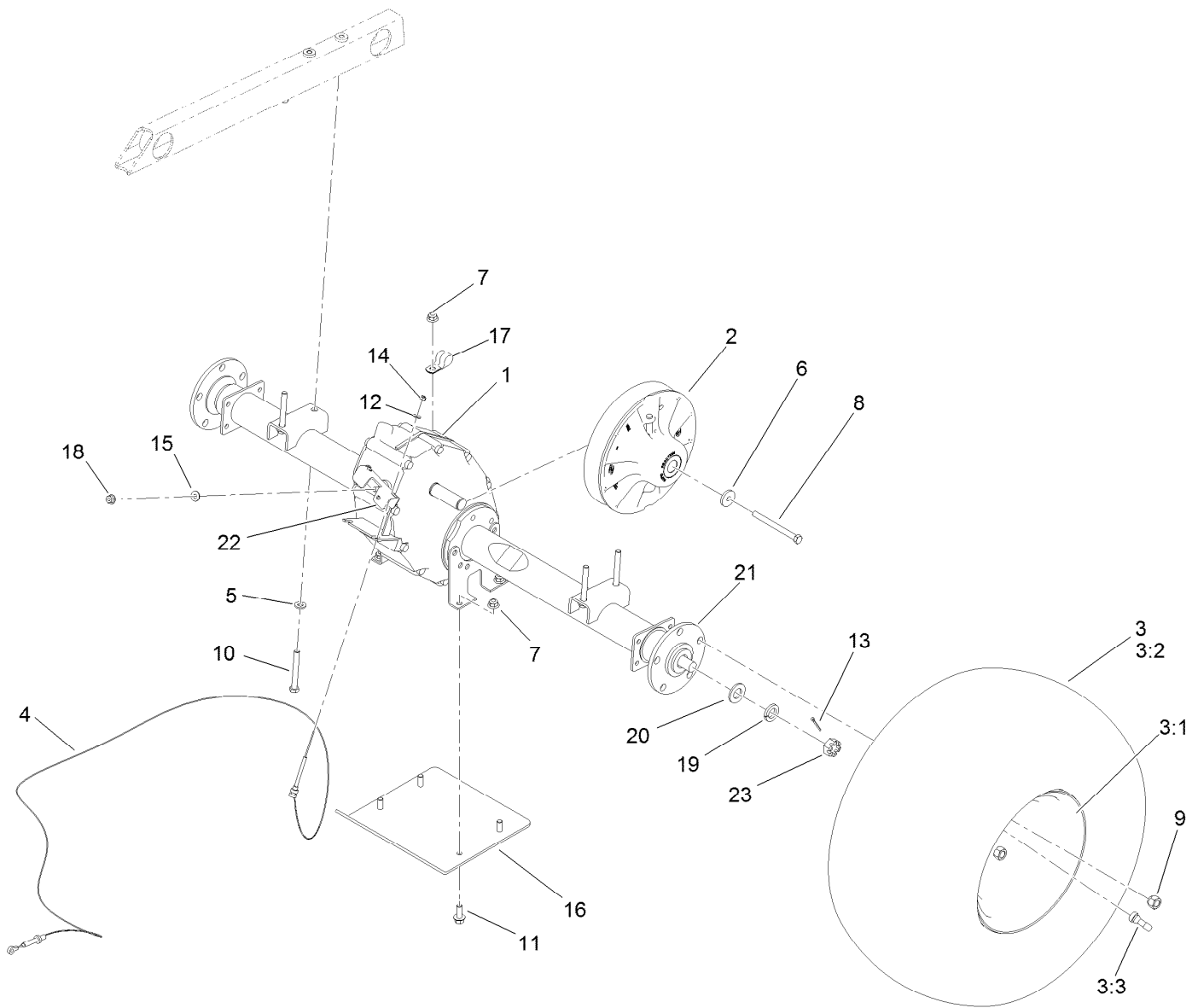
Air Cleaner Assembly No. 119-9714

<i>Ref.</i>	<i>Part Number</i>	<i>Qty.</i>	<i>Description</i>
1	285-17	1	Plug-Pipe
2	106-6748	1	Gasket
3	108-3811	1	Filter-Air
4	104-0498	1	Valve-Vacuator



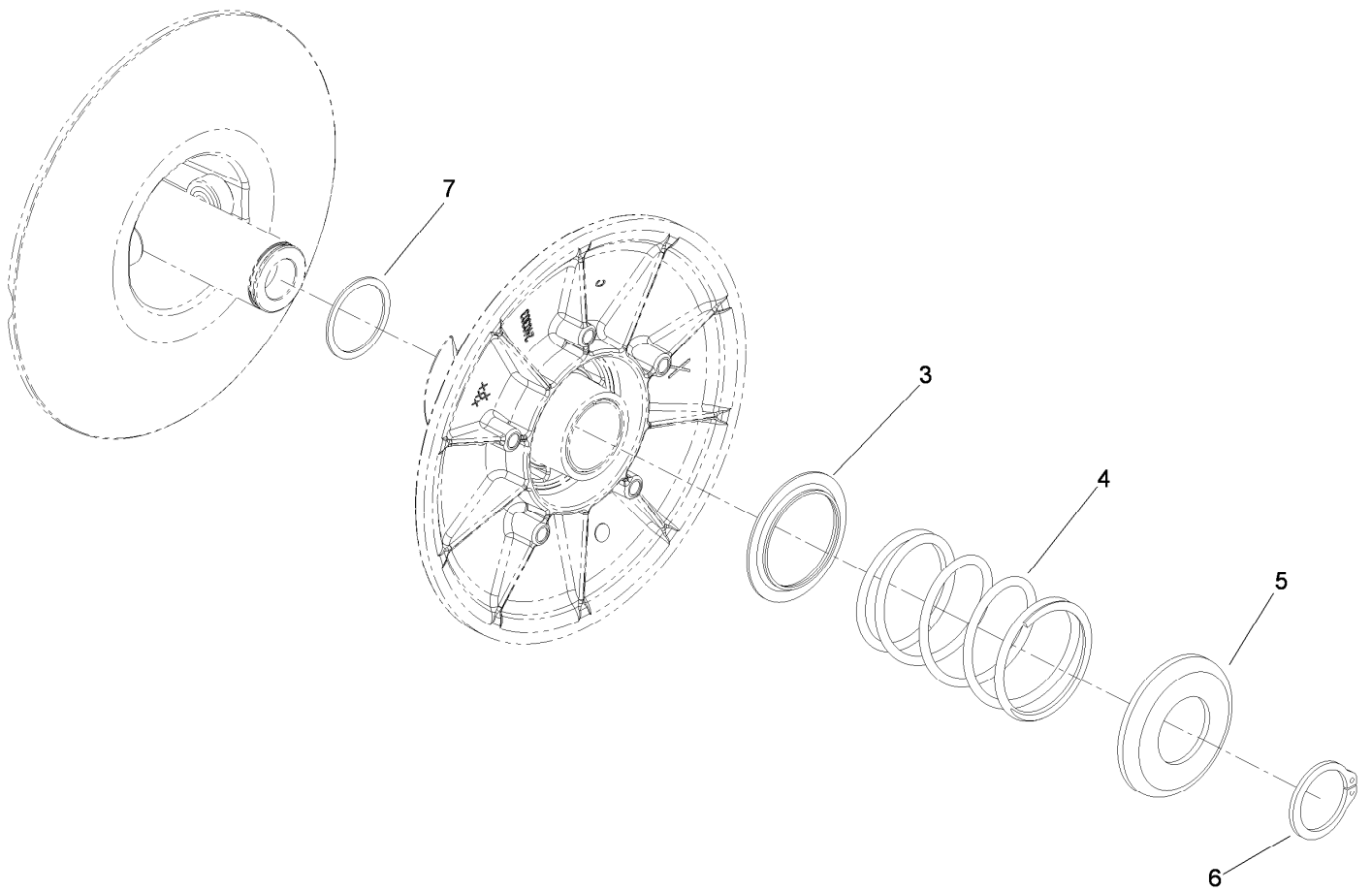
Radiator Assembly

<i>Ref.</i>	<i>Part Number</i>	<i>Qty.</i>	<i>Description</i>	<i>Ref.</i>	<i>Part Number</i>	<i>Qty.</i>	<i>Description</i>
1	120-4856	1	Surge Tank ASM	14	32128-20	3	Nut-HF
2	120-4867	1	Cap-Coolant, Threaded (15 Psi)	17	120-4828	1	Shroud-Radiator, Lower
4	46-8091	2	Screw-HWH	18	120-4827	1	Shroud-Radiator, Upper
5	104-8300	3	Nut-Flange, NI	19	3290-277	4	Nut-Speed
6	120-4866	1	Cap-System, Cooling	20	32105-13	4	Screw-HWH
7	119-0915	1	Radiator	21	120-0627	1	Decal-Warning
8	119-9700	1	Filler Neck ASM	22	106-6755	1	Decal-Cap, Radiator
9	119-9708	1	Hose-Radiator, Lower	23	92-2379	4	Clamp-Hose
10	119-9709	1	Hose-Radiator, Upper	24	120-4868	1	Hose-Coolant
11	119-9711	1	Hose-Straight	25	120-4869	1	Hose-Coolant
12	2412-34	6	Clamp-Hose	26	115-2403	1	Cap
13	3230-3	3	Screw-CARR	27	2412-146	1	Clamp-Hose



Secondary Clutch and Rear Axle Assembly

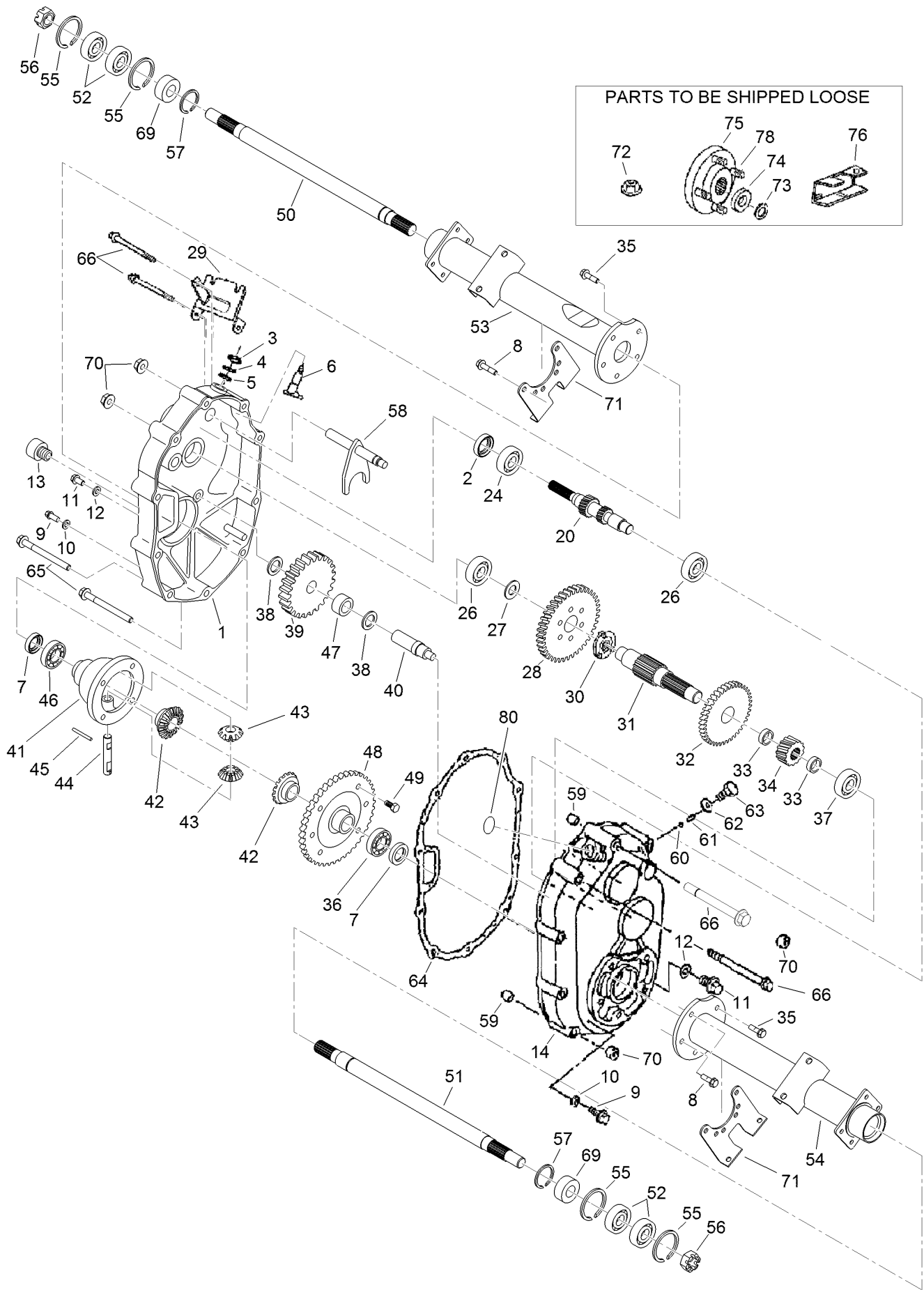
Ref.	Part Number	Qty.	Description
1	119-0760	1	Transaxle ASM
2	119-6011	1	Secondary Clutch ASM
3	120-4972	2	Tire And Wheel ASM
3:1	87-5720	1	Wheel
3:2	104-7281	1	Tire
3:3	232-27	1	Stem-Valve
4	104-6896	2	Cable-Shift
5	100-4852	4	Washer-Hardened
6	104-6563	1	Washer-Stepped
7	104-8301	4	Nut-Flange, NI
8	119-0723	1	Screw-HH, Lock
9	242-50	10	Nut-Lug
10	323-14	4	Screw-HH
11	3234-11	4	Screw-HHF
12	3256-49	2	Washer-Flat
13	3272-12	2	Pin-Cotter
14	3296-2	2	Nut-Lock, NI
15	87-8640	1	Washer-Flat
16	119-9741-03	1	Plate-Skid, Axle
17	2412-4	1	Clamp
18	104-1672	1	Nut-Lock
19	104-1673	2	Washer-Spring
20	104-1674	2	Washer
21	104-1675	2	Hub
22	104-6860	1	Lever-Select
23	104-1656	2	Nut-Castle



Secondary Clutch Assembly No. 119-6011

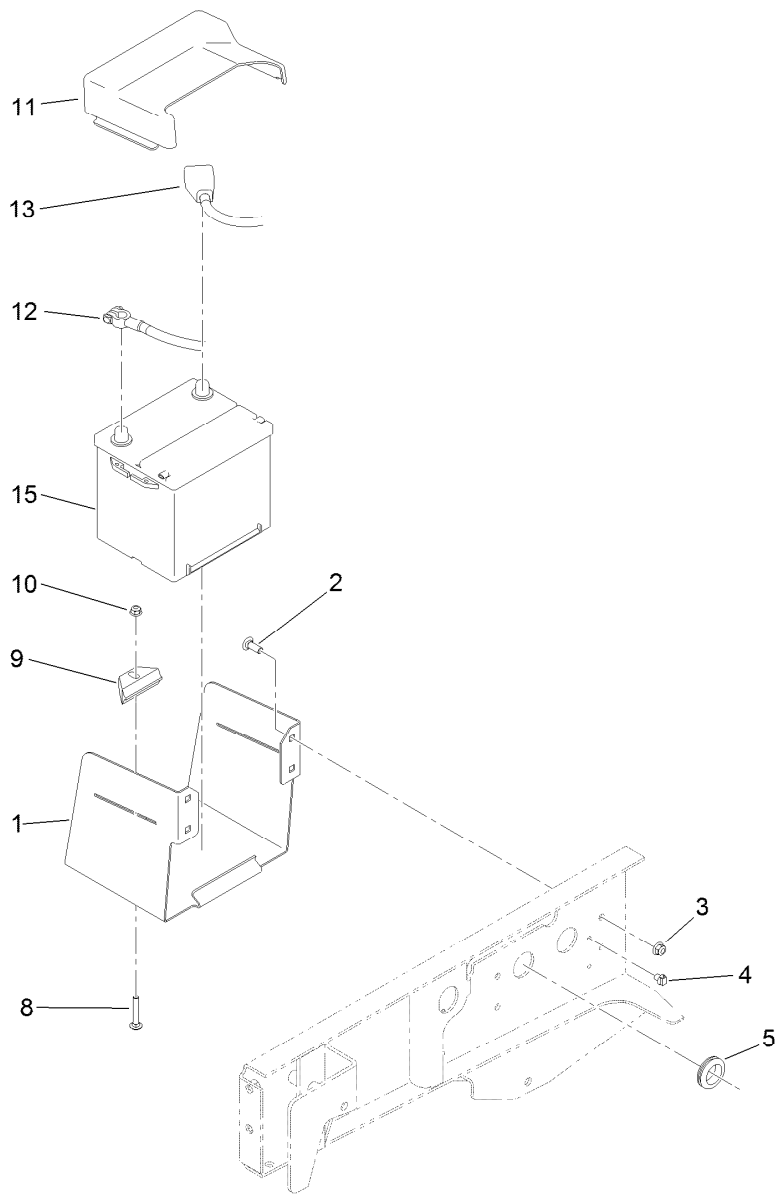
<i>Ref.</i>	<i>Part Number</i>	<i>Qty.</i>	<i>Description</i>
3	119-0809	1	Cup-Spring Retainer, Inner
4	119-9360	1	Spring-Compression, Black/Almond
5	119-0810	1	Cup-Spring Retainer, Outer
6	119-0811	1	Ring-Retaining
7	119-6018	1	Shim-Thrust

Transaxle Assembly No. 119-0760



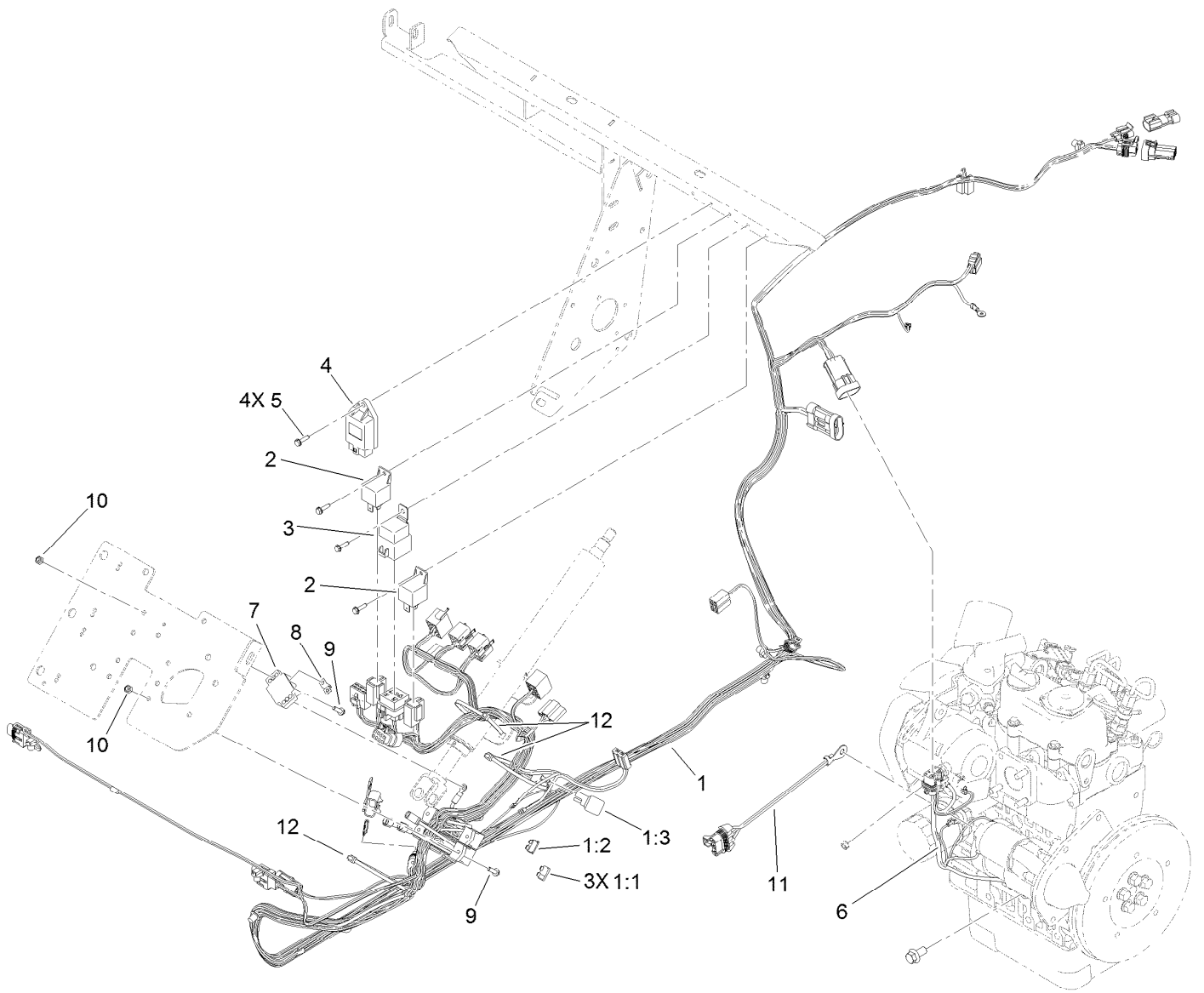
Transaxle Assembly No. 119-0760 (continued)

<i>Ref.</i>	<i>Part Number</i>	<i>Qty.</i>	<i>Description</i>	<i>Ref.</i>	<i>Part Number</i>	<i>Qty.</i>	<i>Description</i>
1	104-1601	1	Case-LH, Complete	44	104-1644	1	Shaft-Differential
2	104-1602	1	Seal-Oil	45	104-1645	1	Pin
3	104-1603	1	Seal-Oil	46	104-1646	1	Bearing-Ball
4	104-1604	1	Ring-Snap	47	104-1647	1	Bearing-Needle
5	104-1605	1	Spacer	48	104-1648	1	Gear
6	104-1606	1	Shaft-Selector	49	104-1649	6	Bolt
7	104-1607	2	Seal-Oil	50	104-1650	1	Shaft-Axle, LH
8	104-1608	4	Bolt-Flange	51	104-1651	1	Shaft-Axle, RH
9	104-1609	2	Plug-Check, Oil	52	104-1652	4	Bearing-Ball
10	104-1610	2	Gasket	53	104-1653	1	Case-Axle, LH
11	104-1611	2	Plug-Drain, Oil	54	104-1654	1	Case-Axle, RH
12	104-1612	2	Gasket	55	104-1655	4	Ring-Snap
13	104-1613	1	Plug-Filler, Oil	56	104-1656	2	Nut-Castle
14	104-1614	1	Case-Complete, RH	57	104-1657	2	Ring-Snap
20	104-7002	1	Shaft-Input, Complete	58	104-6870	1	Shaft-Shift, Complete
24	104-1624	1	Bearing-Ball	59	104-1659	2	Knock-Pipe
26	104-1626	2	Bearing-Ball	60	104-1660	1	Ball-Steel
27	104-1627	1	Spacer	61	104-1661	1	Spring
28	104-1628	1	Gear	62	104-1662	1	Gasket
29	104-1629	1	Bracket-Wire, Change	63	104-1663	1	Bolt
30	104-1630	1	Clutch-Pin	64	104-1664	1	Gasket
31	104-1631	1	Shaft-Center	65	104-1665	6	Bolt-Flange
32	104-1632	1	Gear	66	104-1666	4	Bolt-Flange
33	104-1633	2	Collar	69	104-6867	2	Collar
34	104-1634	1	Gear	70	33004-00	10	Nut-HF
35	104-1635	6	Bolt-Flange	71	104-1671	2	Bracket-Axle
36	104-1636	1	Bearing-Ball	72	104-1672	1	Nut-Lock
37	104-1637	1	Bearing-Ball	73	104-1673	2	Washer-Spring
38	104-1638	2	Spacer	74	104-1674	2	Washer
39	104-1639	1	Gear	75	104-1675	2	Hub
40	104-1640	1	Shaft-Counter	76	104-6860	1	Lever-Select
41	104-1641	1	Case-Differential	78	104-8649	10	Stud
42	104-1642	2	Gear-Side, Differential	80	121-9718	1	Cap-Seal
43	104-1643	2	Pinion-Differential				



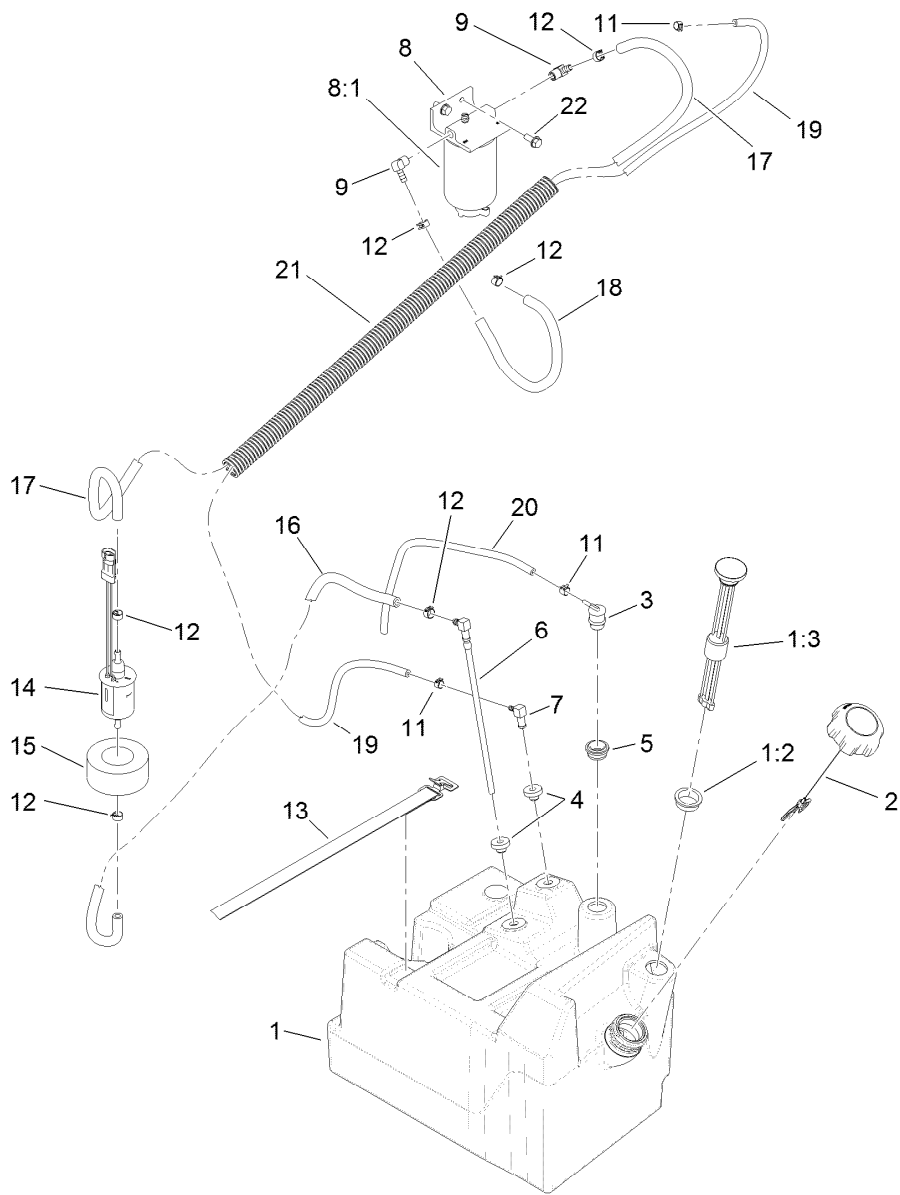
Battery Assembly

<i>Ref.</i>	<i>Part Number</i>	<i>Qty.</i>	<i>Description</i>
1	119-9495-03	1	Tray-Battery
2	3231-22	4	Screw-CARR
3	104-8301	4	Nut-Flange, NI
4	32180-030	6	Clip-Tie
5	120-4831	2	Grommet
8	3230-6	1	Screw-CARR
9	66-2490	1	Retainer-Battery
10	104-8300	1	Nut-Flange, NI
11	119-9496	1	Cover-Battery
12	120-4849	1	Cable-Battery, Negative
13	120-4850	1	Cable-Battery, Positive
15	106-5187	1	Battery-Dry



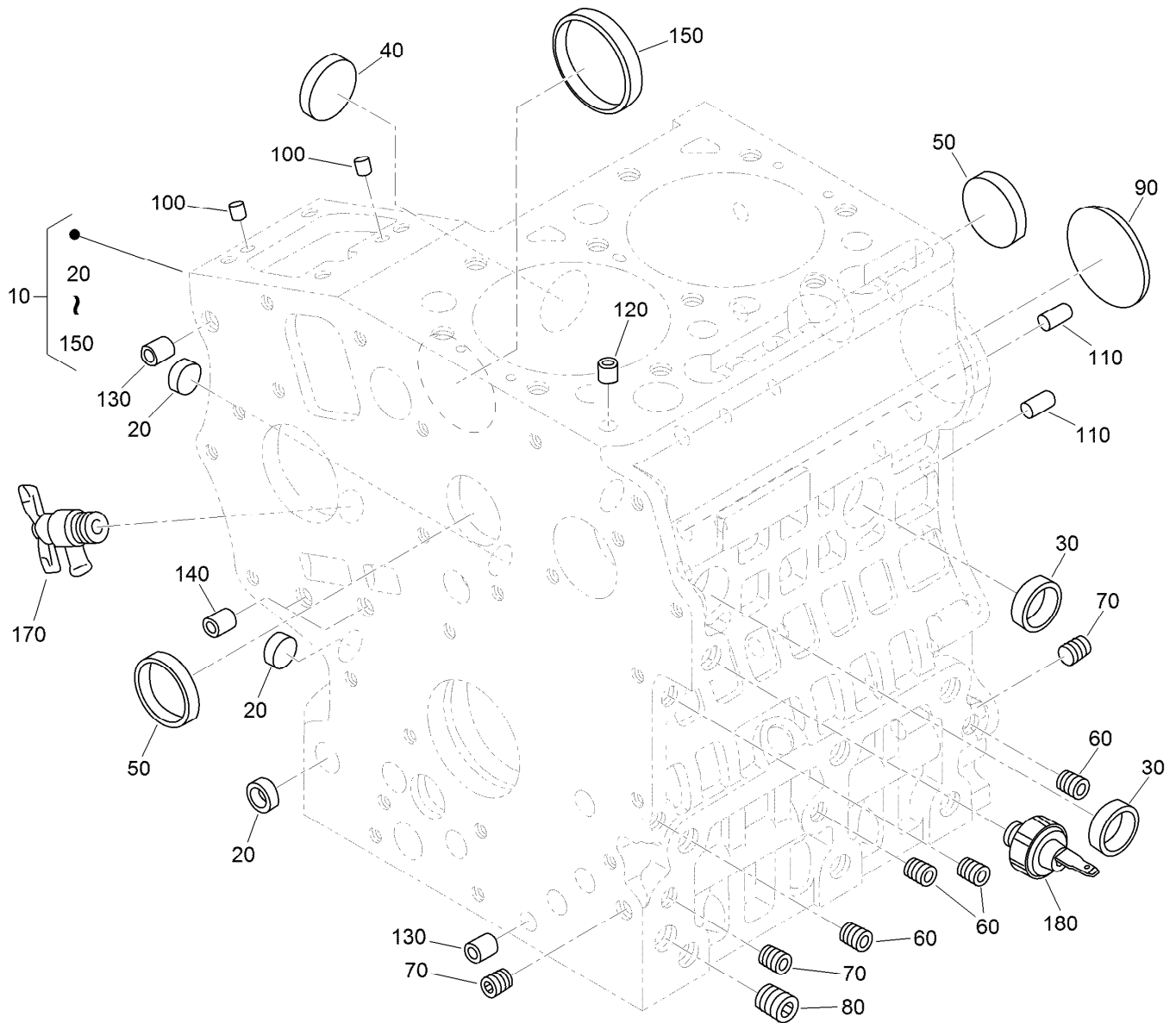
Wire Harness Assembly

Ref.	Part Number	Qty.	Description
1	119-5799	1	Harness-Wire
1:1	218-578	4	Fuse-Blade, 10 Amp
1:2	109355	1	Fuse-Blade, 15 Amp
1:3	104-4022	1	Resistor-75 Ohm
2	99-7435	2	Relay-Power
3	99-7430	1	Relay
4	98-7611	1	Controller-Glow
5	100-4351	4	Screw-HWH
6	120-3961	1	Harness-Wire, Engine
7	42862	1	Block-Terminal, Ground
8	42863	1	Strip-Jumper
9	32105-13	4	Screw-HWH
10	3296-2	4	Nut-Lock, NI
11	99-3441	1	Harness-Wire, Fusible Link
12	3290-379	3	Tie-Cable



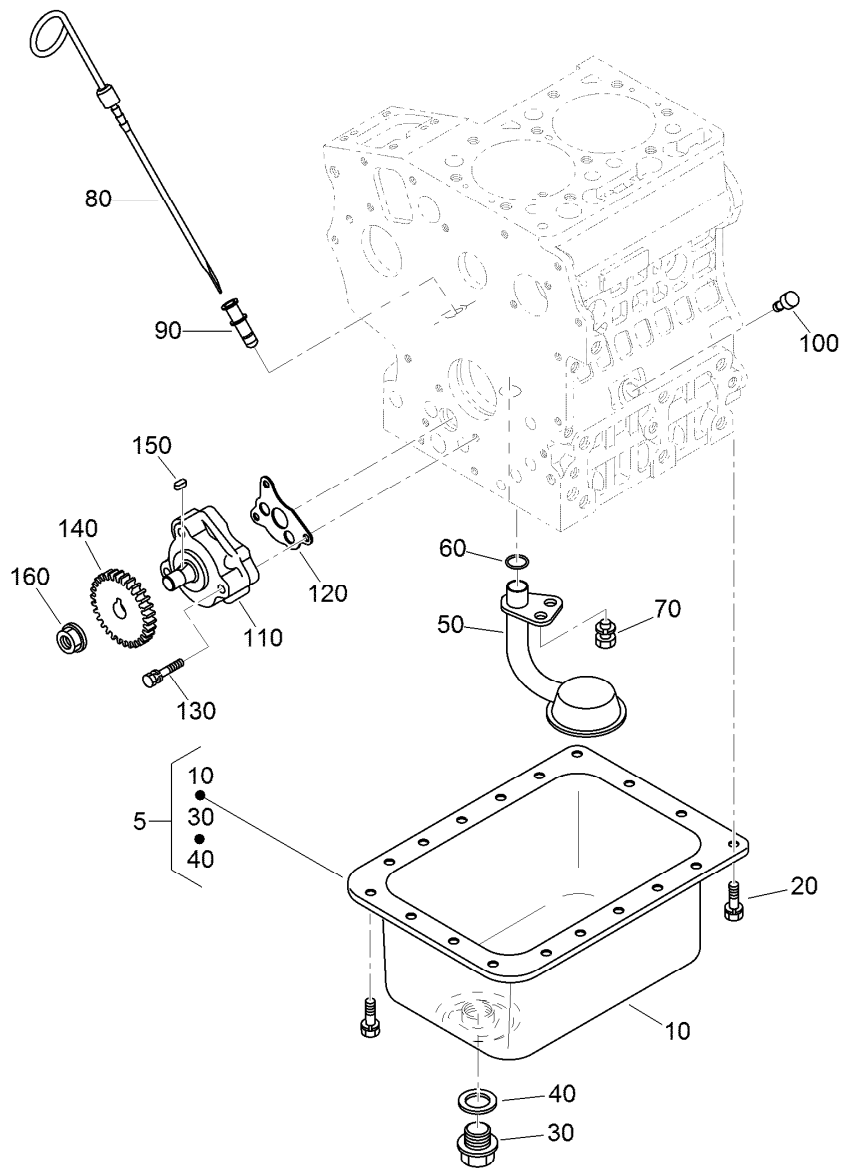
Fuel Tank Assembly

<i>Ref.</i>	<i>Part Number</i>	<i>Qty.</i>	<i>Description</i>	<i>Ref.</i>	<i>Part Number</i>	<i>Qty.</i>	<i>Description</i>
1	119-9723	1	Fuel Tank ASM	11	2412-146	3	Clamp-Hose
1:2	95-8972	1	Grommet	12	92-2379	6	Clamp-Hose
1:3	99-7262	1	Gauge-Fuel	13	3339-175	1	Strapping-Web
2	115-7789	1	Cap-Fuel, Diesel	14	110-8806	1	Pump-Fuel
3	114-0285	1	Valve-Rollover	15	119-9749	1	Holder-Pump, Fuel
4	46-6560	2	Bushing	16	108-3284	1	Hose-Fuel
5	114-0284	1	Grommet	17	110-3259	1	Hose-Fuel
6	110-9689	1	Pipe-Stand	18	114-4028	1	Hose-Fuel
7	100-1596	1	Fitting-90 DEG	19	117-6395	1	Hose-Vent, Tank
8	110-9044	1	Seperator Filter ASM	20	110-8255	1	Hose-Fuel
8:1	110-9049	1	Filter-Spin On	21	120-4829	1	Conduit-Corrogated
9	353-781	2	Fitting-Elbow	22	32144-11	2	Screw-HWHTF



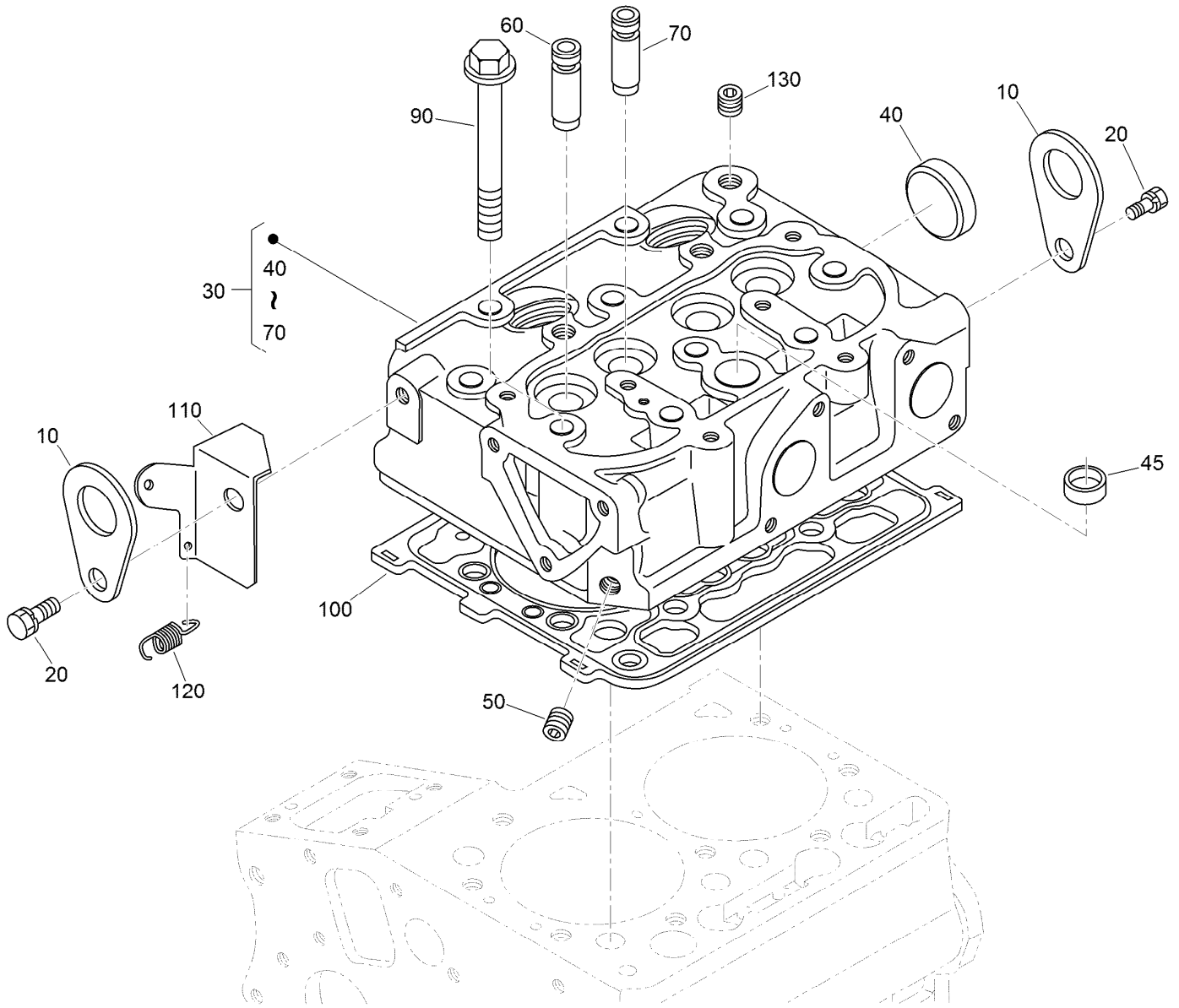
Crankcase Assembly

<i>Ref.</i>	<i>Part Number</i>	<i>Qty.</i>	<i>Description</i>	<i>Ref.</i>	<i>Part Number</i>	<i>Qty.</i>	<i>Description</i>
10	130-1485	1	Crankcase ASM	100	98-9375	2	Pin-Straight
20	100-2019	3	Cap-Sealing	110	98-9377	2	Pin-Straight
30	100-2020	2	Cap-Sealing	120	98-7506	1	Pin-Pipe
40	110-3702	1	Cap-Sealing	130	100-2051	2	Pin-Pipe
50	98-9398	2	Cap-Sealing	140	100-2051	2	Pin-Pipe
60	98-7540	4	Plug	150	100-1991	1	Cover-Fuel, Camshaft
70	98-7487	3	Plug	170	120-3121	1	Draincock ASM
80	98-7488	1	Plug	180	98-9416	1	Switch-Oil
90	100-1851	1	Plug-Expansion				



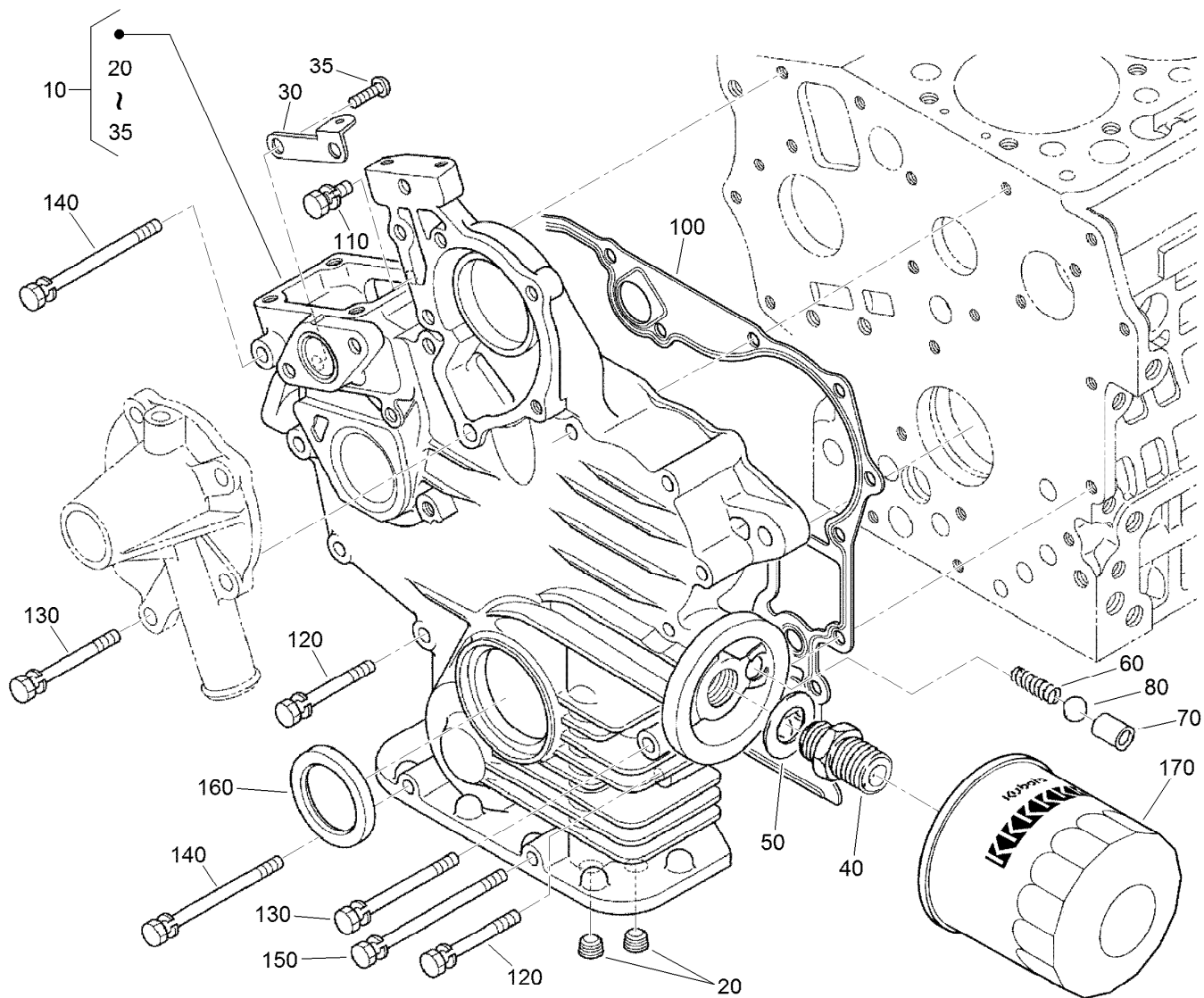
Oil Pan, Oil Pump and Dipstick Assembly

<i>Ref.</i>	<i>Part Number</i>	<i>Qty.</i>	<i>Description</i>	<i>Ref.</i>	<i>Part Number</i>	<i>Qty.</i>	<i>Description</i>
5	121-3843	1	Oil Pan Kit	90	105-4580	1	Guide-Gauge, Oil
10	121-3842	1	Oil Pan ASM	100	110-3720	1	Plug-Gauge, Oil
20	98-9350	18	Bolt	110	100-2002	1	Oil Pump ASM
30	98-9686	1	Plug-Drain	120	100-2003	1	Gasket-Pump, Oil
40	110-9715	1	Gasket-Pan, Oil	130	100-1923	3	Bolt
50	100-2001	1	Strainer-Pickup, Oil	140	130-1419	1	Gear-Drive, Oil Pump
60	105-3776	1	O-Ring	150	98-7658	1	Key-Feather
70	100-9195	1	Bolt	160	100-1779	1	Nut-Flange
80	110-3719	1	Gauge-Oil				



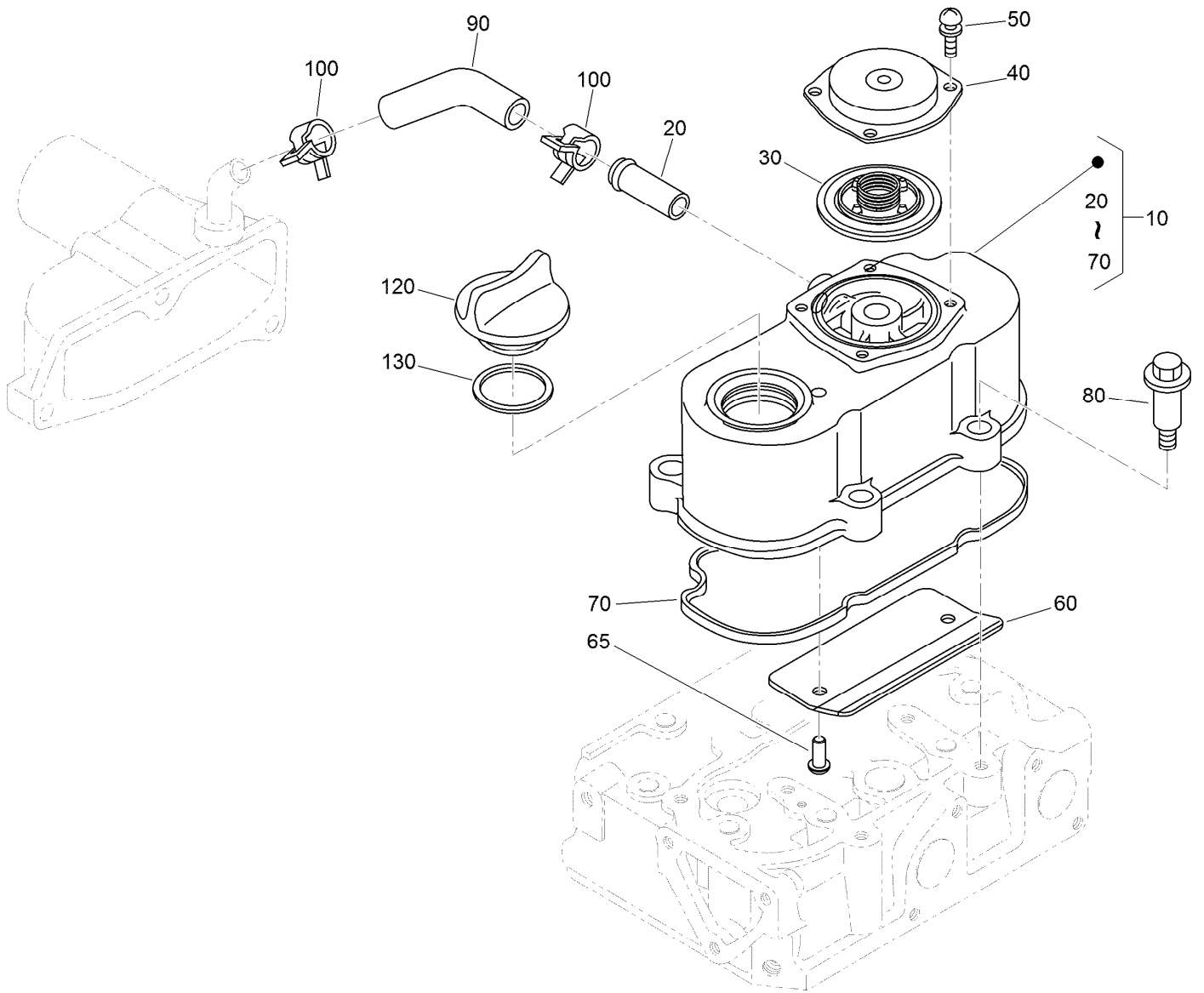
Cylinder Head Assembly

Ref.	Part Number	Qty.	Description
10	98-7531	2	Hook-Engine
20	98-7526	2	Bolt
30	121-3823	1	Cylinder Head ASM
40	105-3705	1	Cap-Sealing
45	98-9389	1	Cap-Sealing
50	98-9687	1	Plug
60	100-1882	2	Guide-Valve, Inlet
70	100-1883	2	Guide-Valve, Exhaust
90	100-1820	10	Bolt-Head, Cylinder
100	121-3824	1	Gasket-Head, Cylinder
110	121-3810	1	Stay
120	121-3820	1	Spring-Return
130	98-9444	1	Plug



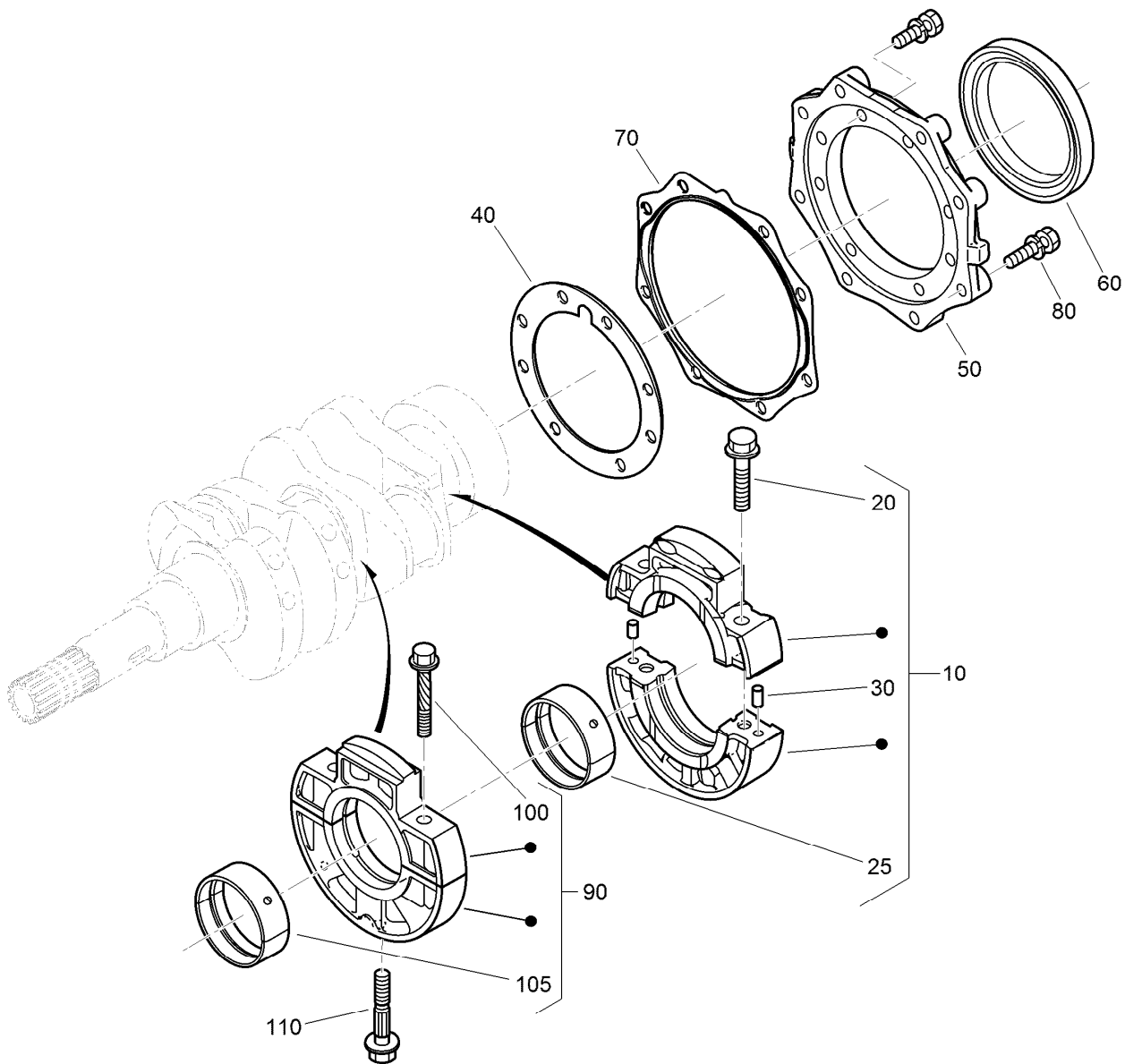
Gear Case and Oil Filter Cartridge Assembly

<i>Ref.</i>	<i>Part Number</i>	<i>Qty.</i>	<i>Description</i>	<i>Ref.</i>	<i>Part Number</i>	<i>Qty.</i>	<i>Description</i>
10	110-3707	1	Case-Gear	100	117-0327	1	Gasket-Case, Gear
20	98-7488	2	Plug	110	127-0403	1	Bolt-Flange
30	110-3708	1	Stay-Spring, Start	120	125-9063	9	Bolt-Sems
35	100-2040	2	Screw	130	100-1922	2	Bolt
40	98-9388	1	Joint-Pipe	140	98-9357	2	Bolt
50	100-1926	1	Washer-Plain	150	110-3710	1	Bolt
60	100-2004	1	Spring	160	120-7852	1	Seal-Oil
70	100-1894	1	Seat-Valve	170	115-8189	1	Filter-Oil, Engine
80	100-1792	1	Ball				



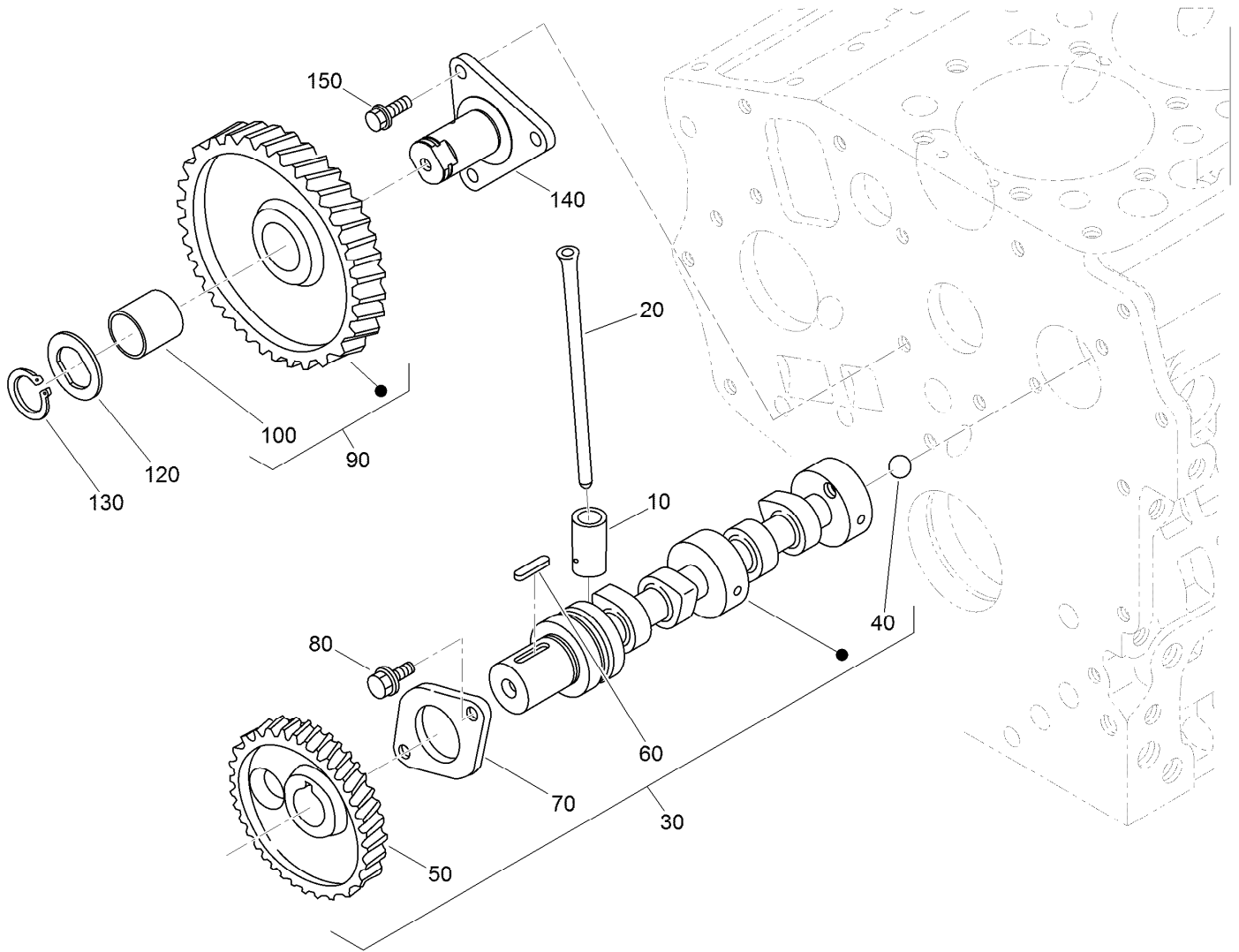
Cylinder Head Cover Assembly

Ref.	Part Number	Qty.	Description
10	121-3841	1	Cylinder Head Cover ASM
20	98-9580	1	Pipe-Return, Water
30	130-1463	1	Valve Breather ASM
40	110-3714	1	Cover-Breather
50	98-9364	4	Screw (With Washer)
60	110-3716	1	Shield-Breather
65	100-2040	2	Screw
70	121-3828	1	Gasket-Cover, Head
80	108-7063	4	Bolt
90	120-3139	1	Tube-Breather
100	110-3712	2	Clamp-Hose
120	107-9075	1	Plug-Filler, Oil
130	99-3446	1	O-Ring



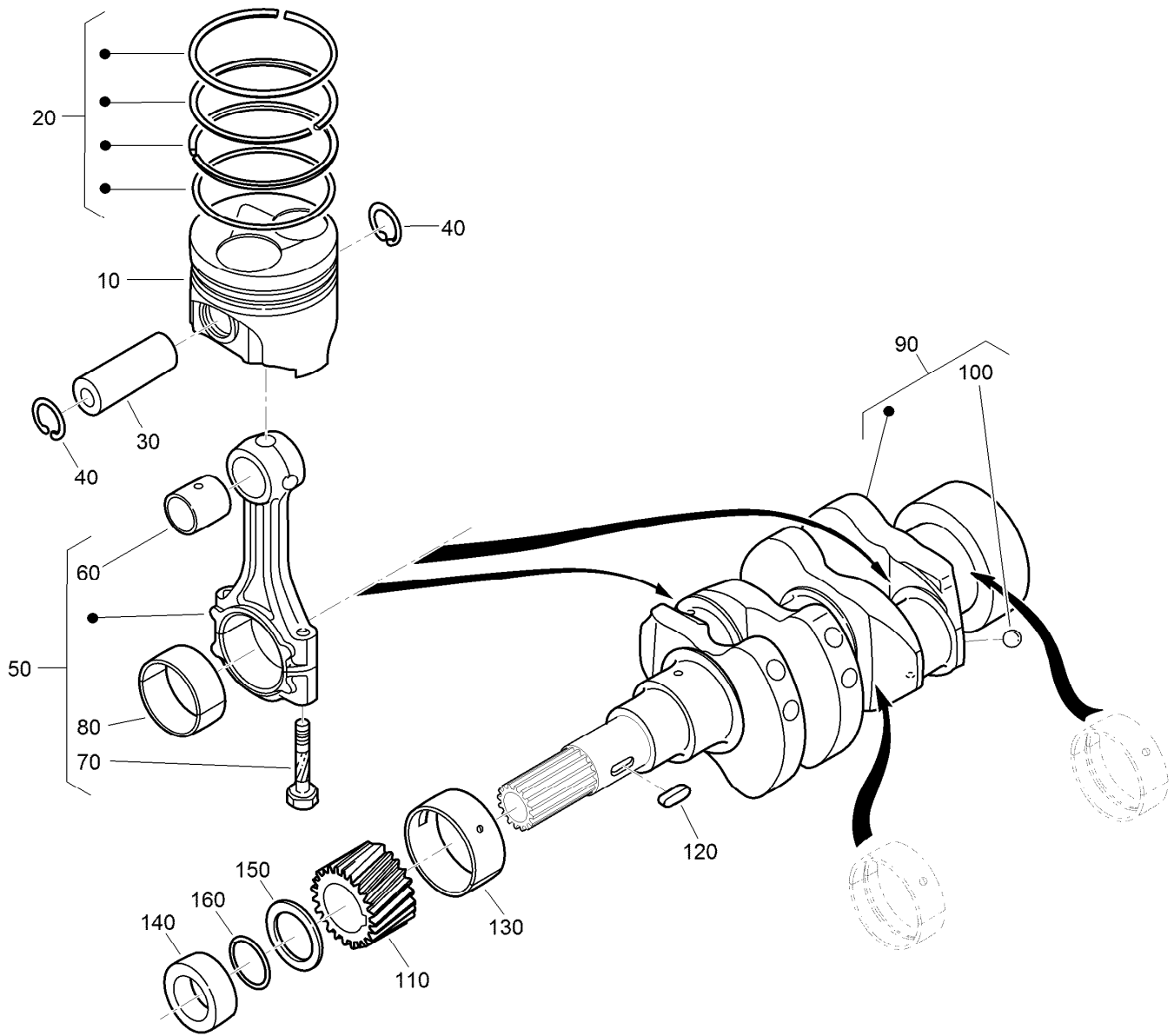
Main Bearing Case Assembly

<i>Ref.</i>	<i>Part Number</i>	<i>Qty.</i>	<i>Description</i>	<i>Ref.</i>	<i>Part Number</i>	<i>Qty.</i>	<i>Description</i>
10	125-9064	1	Wheel Bearing Case ASM	70	100-1876	1	Gasket-Cover, Case
20	125-9065	2	Bolt-Flange	80	100-1750	16	Bolt
25	125-9066	1	Crankshaft Metal ASM (STD)	90	130-1417	1	Main Bearing Case ASM
25	125-9067	1	Crankshaft Metal ASM (-0.20Mm)	100	110-3723	2	Bolt-Case, Bearing
25	125-9068	1	Crankshaft Metal ASM (-0.40Mm)	105	110-3741	1	Crankshaft Metal ASM (STD)
30	125-9082	2	Pin-Straight	105	125-9083	1	Crankshaft Metal ASM (-0.20Mm)
40	100-1873	1	Gasket-Case, Bearing	105	110-3743	1	Crankshaft Metal ASM (-0.40Mm)
50	112-8334	1	Cover-Case, Bearing	110	100-1874	1	Bolt-Case, Bearing
60	110-3724	1	Seal-Oil				



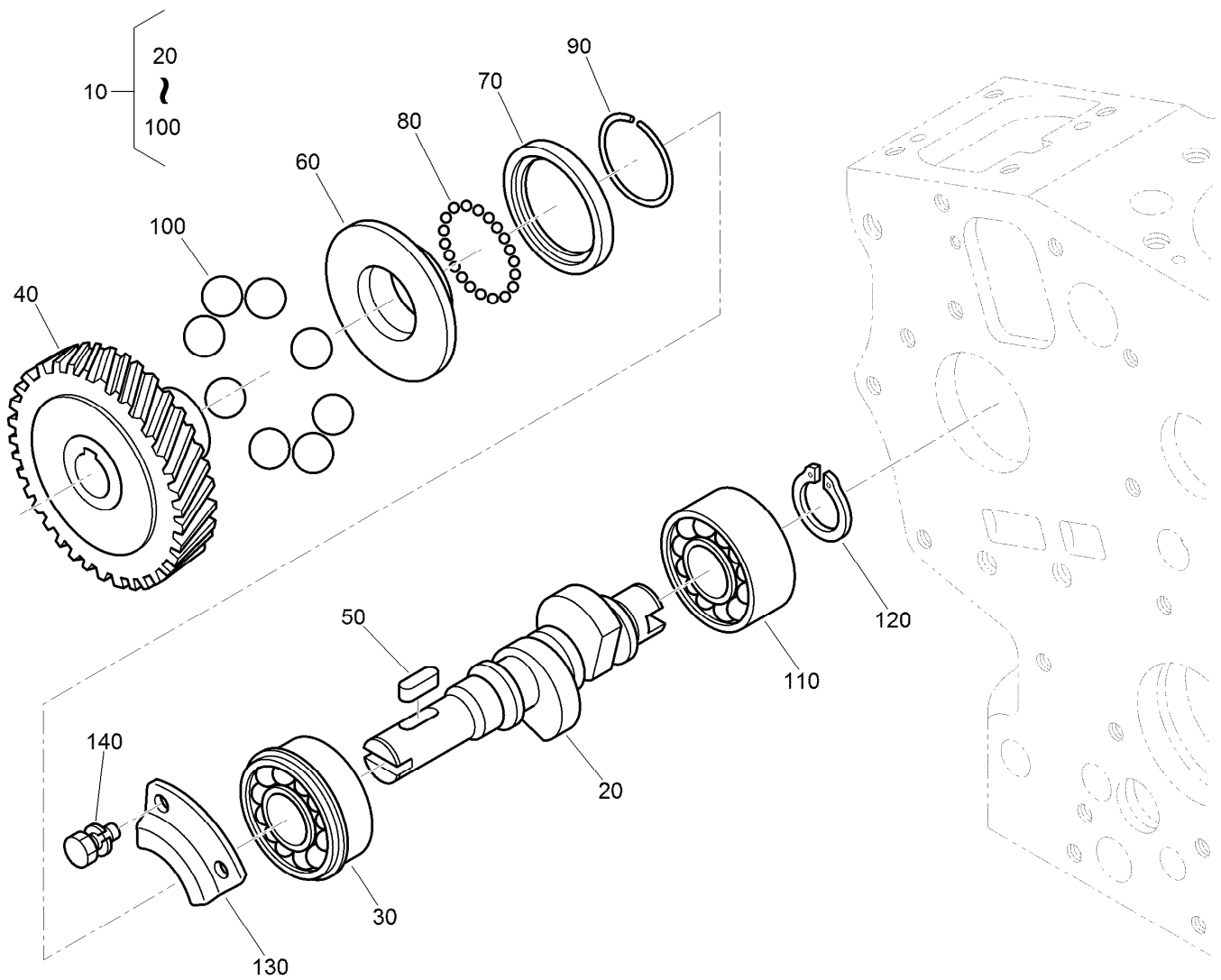
Camshaft and Idle Gear Shaft Assembly

<i>Ref.</i>	<i>Part Number</i>	<i>Qty.</i>	<i>Description</i>
10	110-3727	4	Tappet
20	100-1989	4	Rod-Push
30	121-3845	1	Camshaft ASM
40	110-3729	1	Ball
50	130-1534	1	Gear-Cam
60	98-9378	1	Key-Feather
70	100-1887	1	Stopper-Camshaft
80	98-9350	2	Bolt
90	121-2421	1	Idle Gear ASM
100	121-2422	1	Bushing
120	100-1970	1	Collar-Gear, Idle
130	100-1969	1	Ring-Snap
140	100-1967	1	Shaft-Gear, Idle
150	100-1774	3	Bolt-Flange



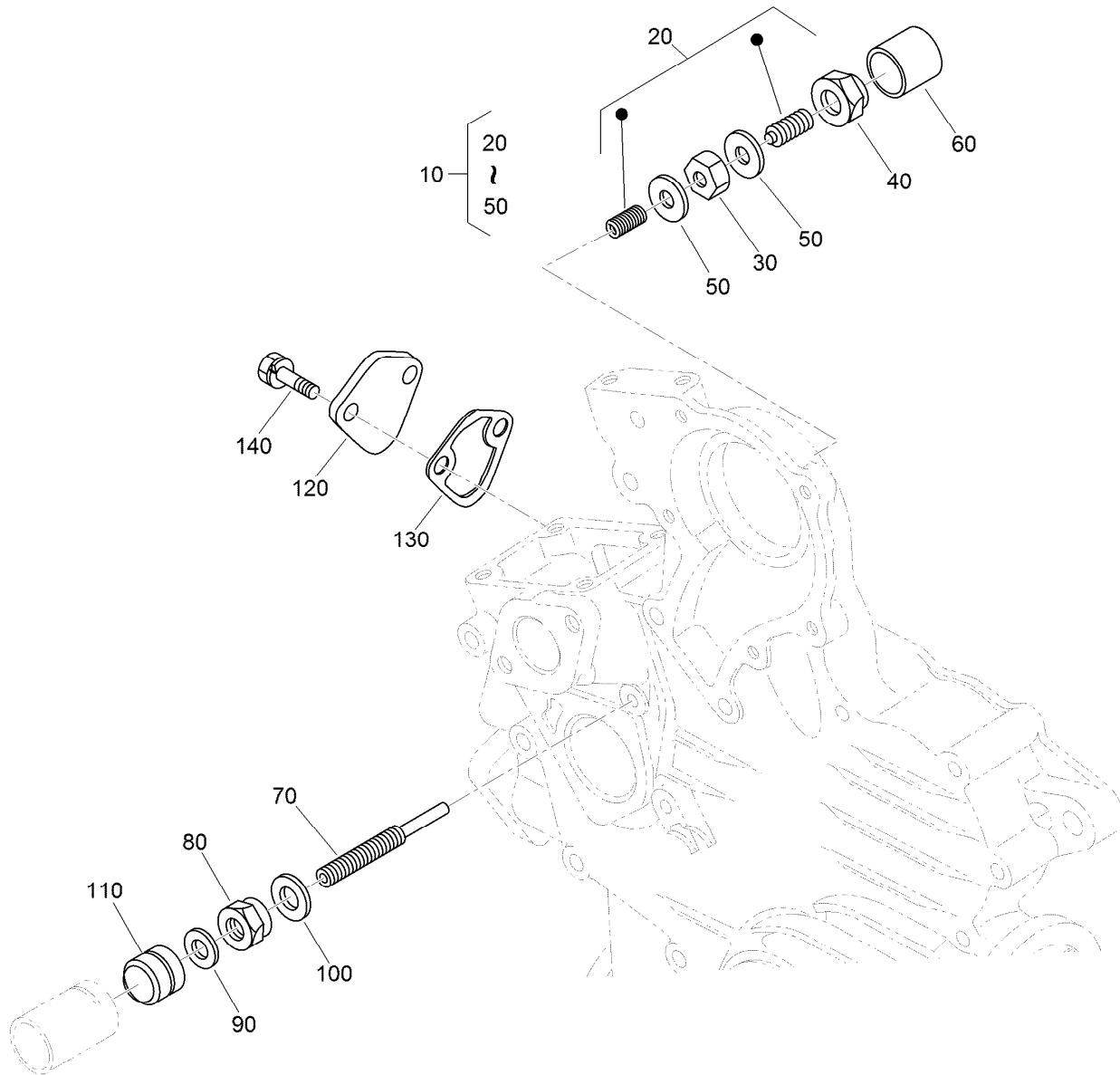
Piston and Crankshaft Assembly

<i>Ref.</i>	<i>Part Number</i>	<i>Qty.</i>	<i>Description</i>	<i>Ref.</i>	<i>Part Number</i>	<i>Qty.</i>	<i>Description</i>
10	130-1518	2	Piston	80	121-2420	2	Metal-Crankpin (-.40Mm)
10	130-1520	2	Piston	90	121-3829	1	Crankshaft ASM
20	130-1516	2	Piston Ring ASM	100	100-1791	2	Ball
20	130-1517	2	Piston Ring ASM	110	100-1891	1	Gear-Crankshaft
30	110-3734	2	Pin-Piston	120	100-1752	1	Key-Feather
40	100-1835	4	Circlip-Internal	130	110-3738	1	Metal-Crankshaft (STD)
50	125-9070	2	Connecting Rod ASM	130	121-2424	1	Metal-Crankshaft (-.20Mm)
60	110-3736	2	Bushing-Pin, Piston	130	121-2425	1	Metal-Crankshaft (-.40Mm)
70	100-1999	4	Bolt-Rod, Connecting	140	100-1890	1	Collar-Crankshaft
80	100-2000	2	Metal-Crankpin (STD)	150	100-1974	1	Slinger-Oil
80	121-3849	2	Metal-Crankpin (-.20Mm)	160	100-2209	1	O-Ring



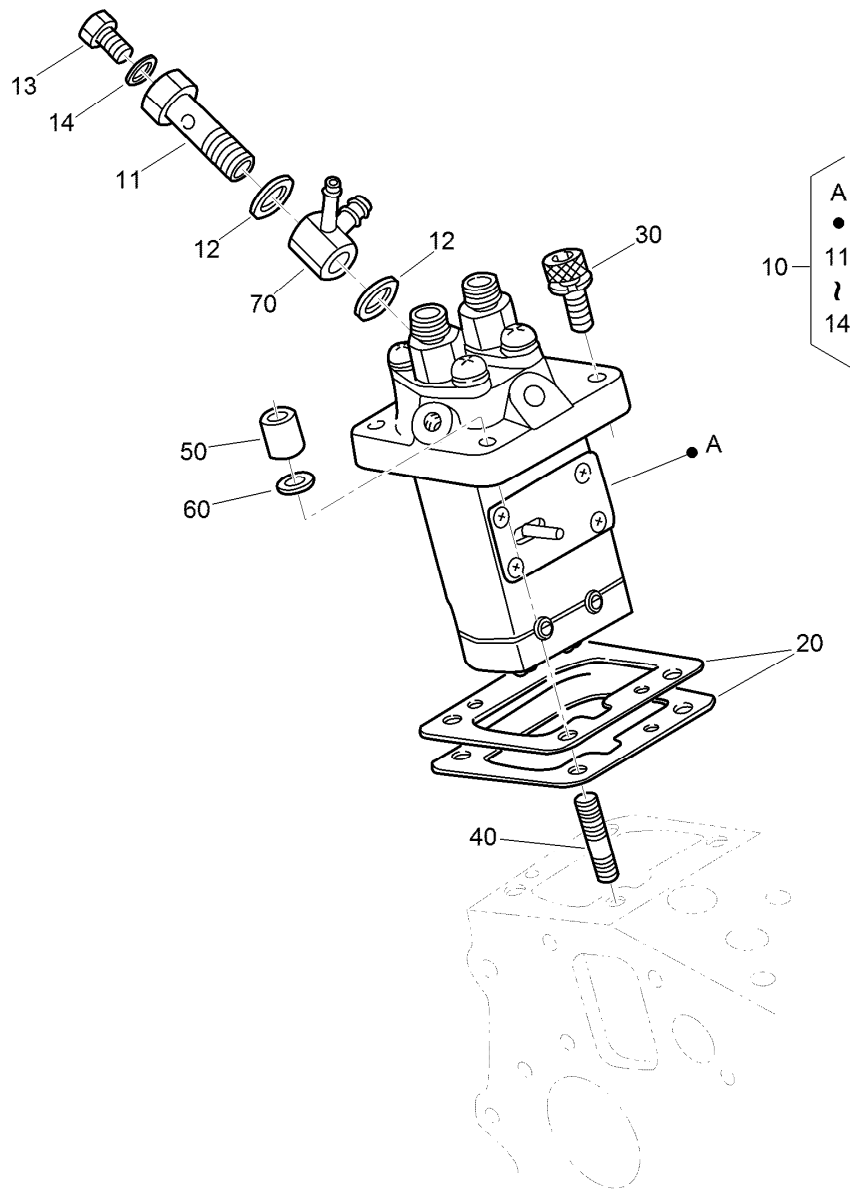
Fuel Camshaft Assembly

Ref.	Part Number	Qty.	Description
10	130-1515	1	Fuel Camshaft ASM
20	121-3802	1	Camshaft-Fuel
30	100-1795	1	Bearing-Ball
40	130-1521	1	Pump-Gear, Injection
50	100-1752	1	Key-Feather
60	112-8336	1	Sleeve-Governor
70	100-1904	1	Case-Ball, Governor
80	100-1790	32	Ball
90	100-1843	1	Circ-Clip
100	100-1793	8	Ball
110	110-3757	1	Bearing-Ball
120	100-1784	1	Circ-Clip, External
130	100-1888	1	Stopper-Fuel, Camshaft
140	98-9350	2	Bolt



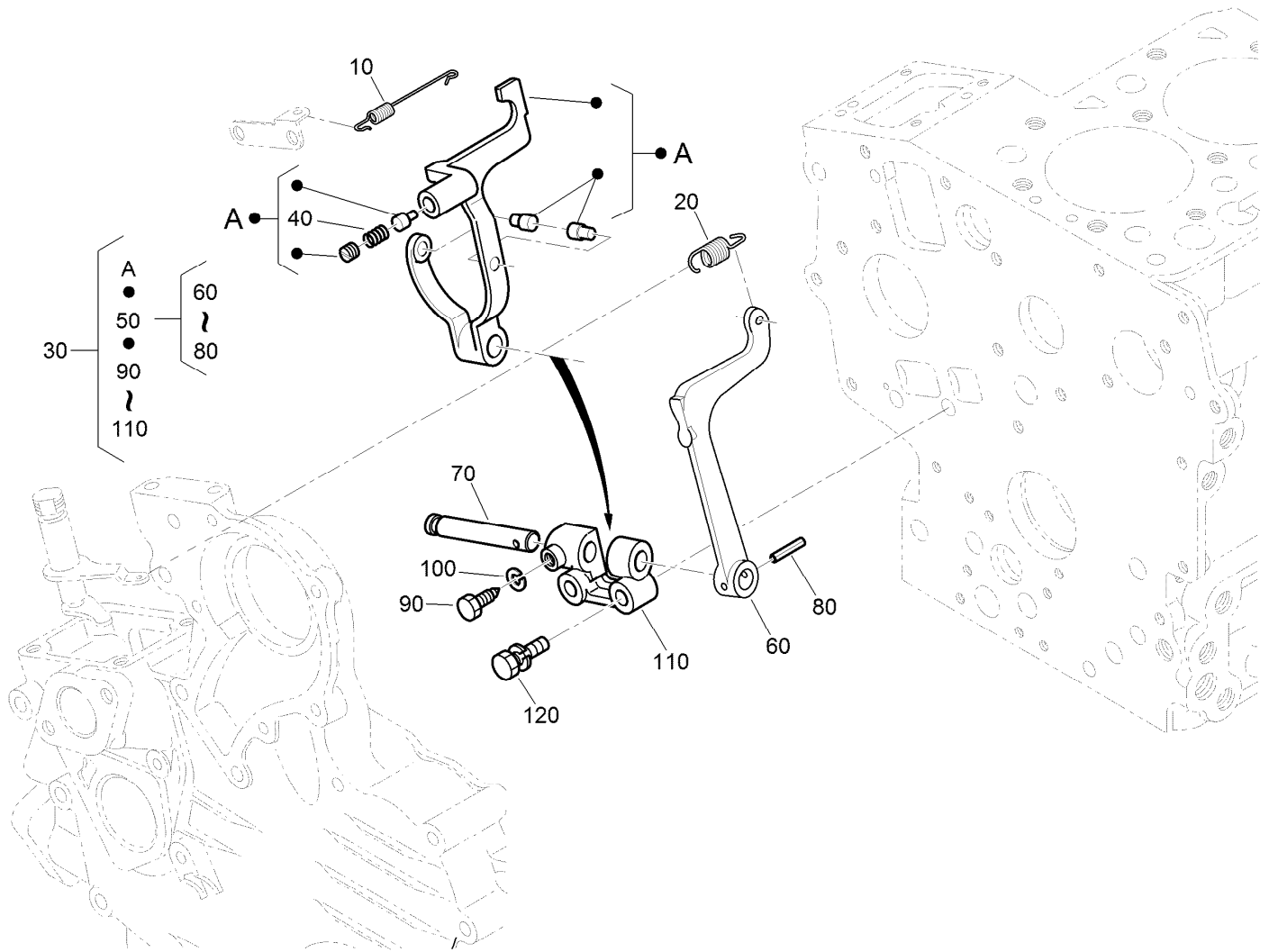
Idle Apparatus and Fuel Pump Cover Assembly

<i>Ref.</i>	<i>Part Number</i>	<i>Qty.</i>	<i>Description</i>
10	100-1898	1	Idle Apparatus ASM
20	100-1899	1	Adjusting Bolt ASM
30	100-1846	1	Nut
40	100-1901	1	Nut-Cap
50	98-7428	2	Gasket
60	100-1902	1	Cap
70	110-3758	1	Bolt-Adjusting
80	100-2175	1	Nut-Lock
90	98-7654	1	Gasket
100	107-9081	1	Gasket
110	99-8387	1	Nut-Cap
120	99-3514	1	Cover
130	98-9636	1	Gasket-Pump, Fuel
140	98-7692	2	Bolt



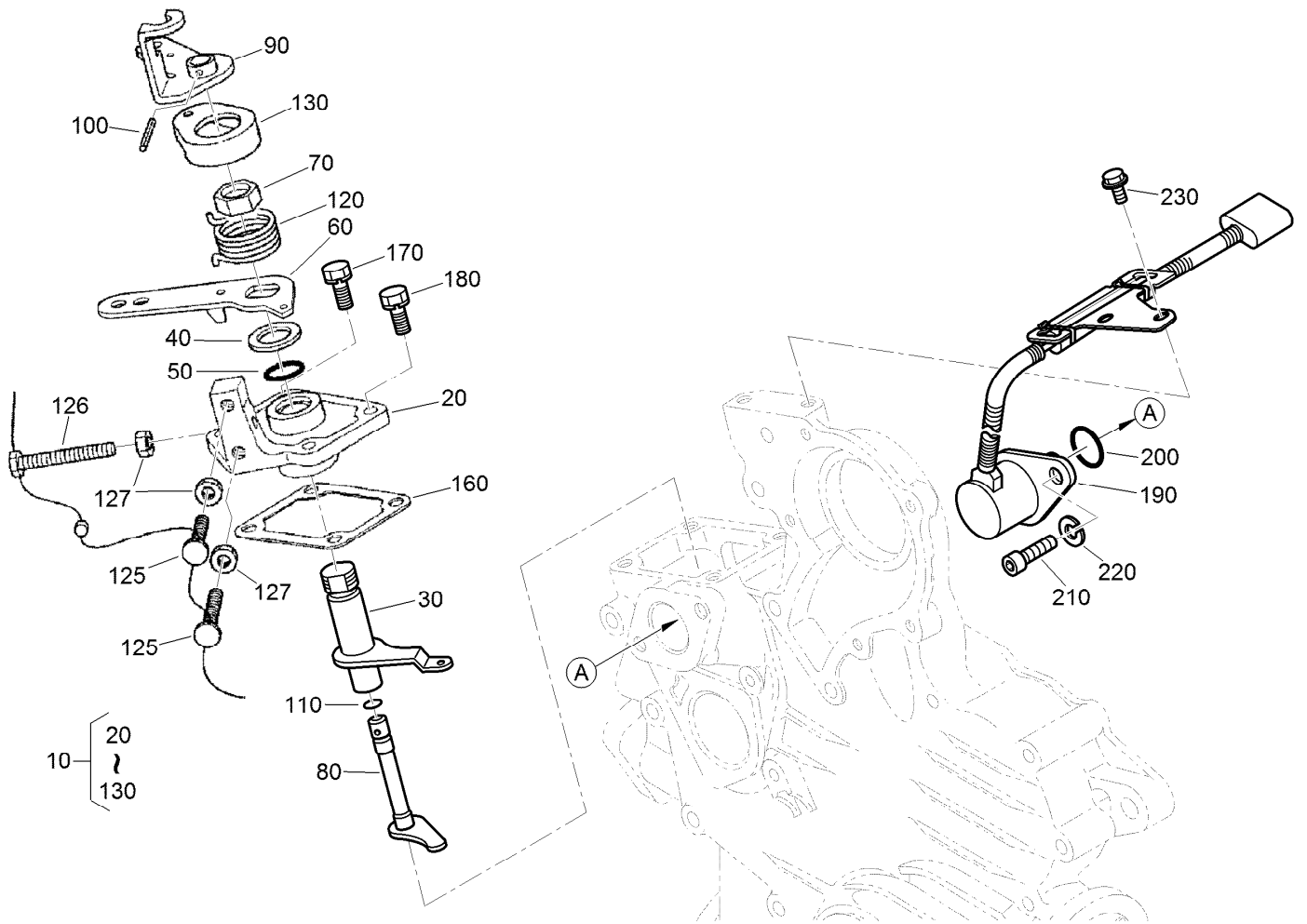
Injection Pump Assembly

Ref.	Part Number	Qty.	Description
10	130-1366	1	Injection Pump ASM
11	100-1896	1	Screw-Hollow
12	98-9445	2	Gasket
13	98-9430	1	Screw
14	98-9446	1	Gasket
20	121-3836	1	Shim-Pump, Injection (0.350Mm)
20	121-3837	1	Shim-Pump, Injection (0.175Mm)
20	121-3806	1	Shim-Pump, Injection (0.200Mm)
20	121-3807	1	Shim-Pump, Injection (0.250Mm)
20	121-3808	1	Shim-Pump, Injection (0.300Mm)
30	117-7564	3	Bolt-Hex Soc HD
40	98-9438	1	Stud
50	98-9440	1	Nut-Cap
60	98-7699	1	Washer-Spring
70	110-3764	1	Joint



Governor Assembly

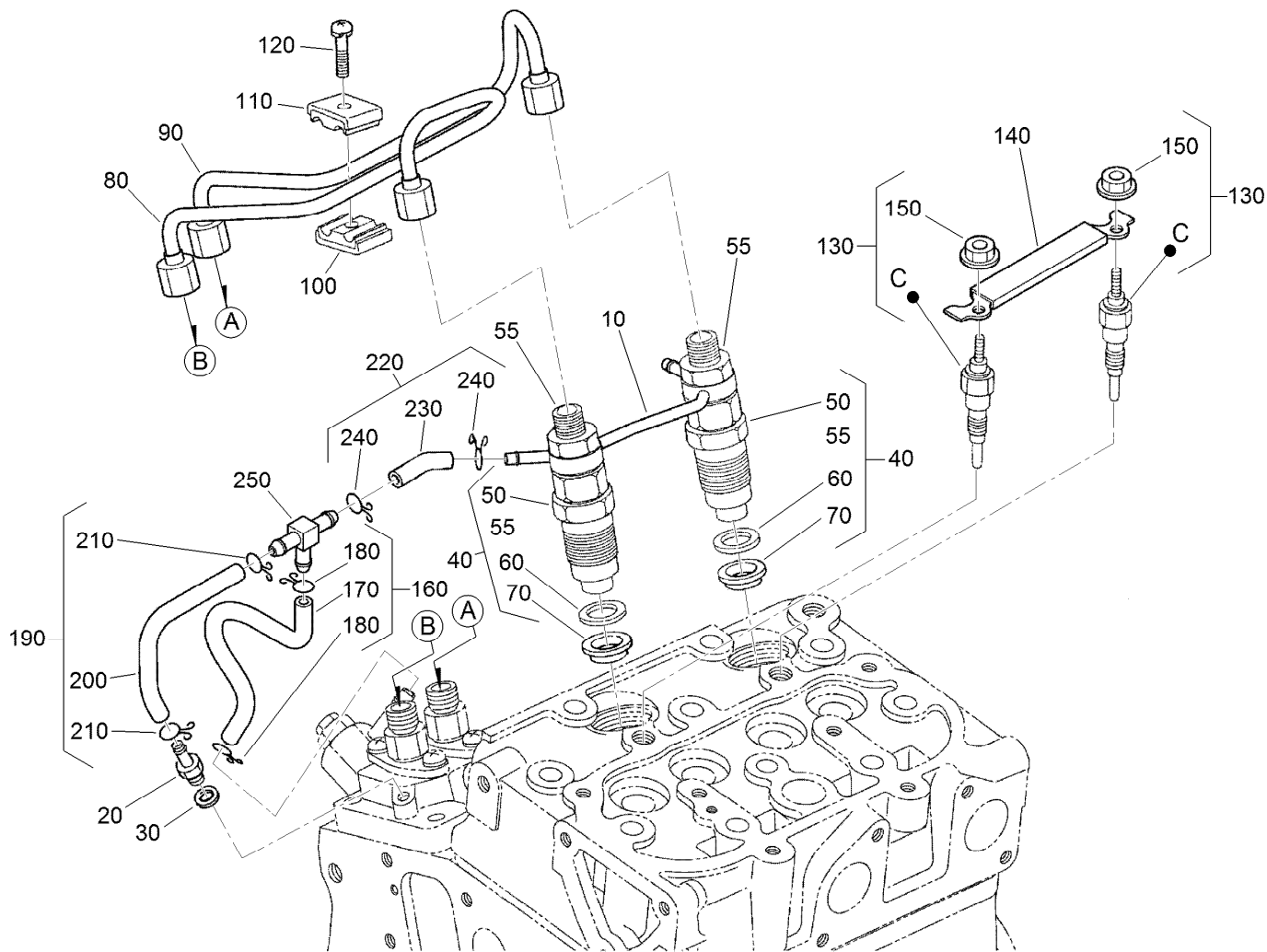
<i>Ref.</i>	<i>Part Number</i>	<i>Qty.</i>	<i>Description</i>
10	110-3766	1	Spring-Start
20	110-3767	1	Spring-Governor
30	121-3822	1	Fork Lever ASM
40	121-3803	1	Spring
50	100-1905	1	Fork Lever ASM
60	100-1907	1	Lever-Fork
70	100-1908	1	Shaft-Lever, Fork
80	100-1751	1	Pin-Spring
90	100-1845	1	Bolt
100	100-2204	1	Washer-Spring
110	100-1909	1	Holder-Lever, Fork
120	100-1763	2	Bolt



Stop Solenoid and Speed Control Plate Assembly

Ref.	Part Number	Qty.	Description
10	110-3769	1	Speed Control Plate ASM
20	110-3770	1	Plate-Control, Speed
30	110-3771	1	Lever-Governor
40	110-3772	1	Collar
50	100-2208	1	O-Ring
60	110-3773	1	Lever-Control, Speed
70	110-3774	1	Nut-Control, Speed
80	110-3775	1	Shaft-Lever
90	110-3776	1	Lever-Stop, Engine
100	110-3777	1	Pin-Spring
110	100-2207	1	O-Ring
120	110-3778	1	Spring-Return

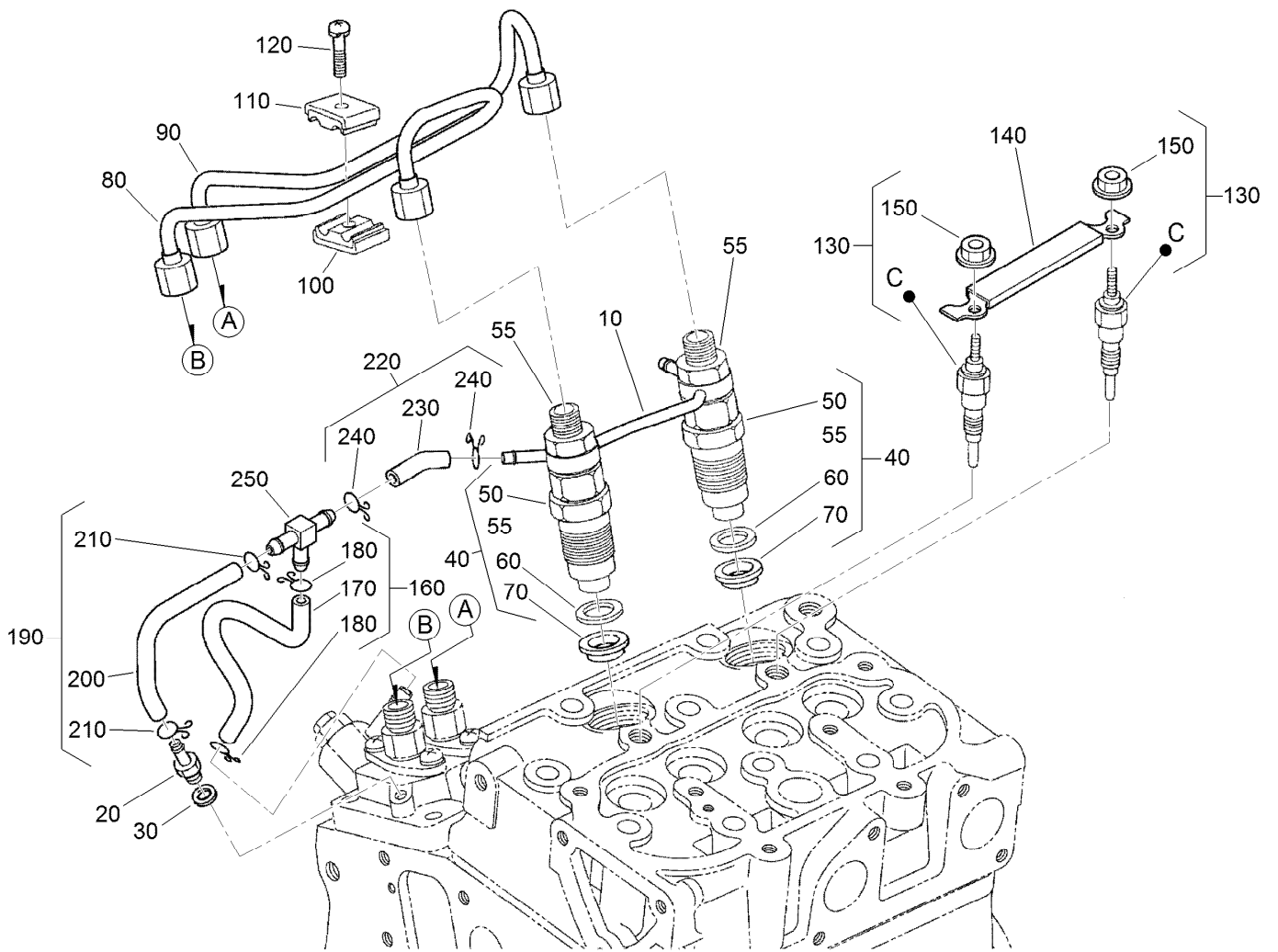
Ref.	Part Number	Qty.	Description
125	120-3133	2	Screw-Stopper
126	120-3134	1	Bolt
127	98-7572	3	Nut
130	110-3779	1	Cap
160	100-1962	1	Gasket-Plate, Control
170	127-0403	2	Bolt-Flange
180	112-2507	2	Bolt
190	117-2719	1	Solenoid Stop ASM
200	110-3762	1	O-Ring
210	110-3763	2	Bolt-HSH
220	98-7699	2	Washer-Spring
230	100-1774	2	Bolt-Flange



Nozzle Holder and Glow Plug Assembly

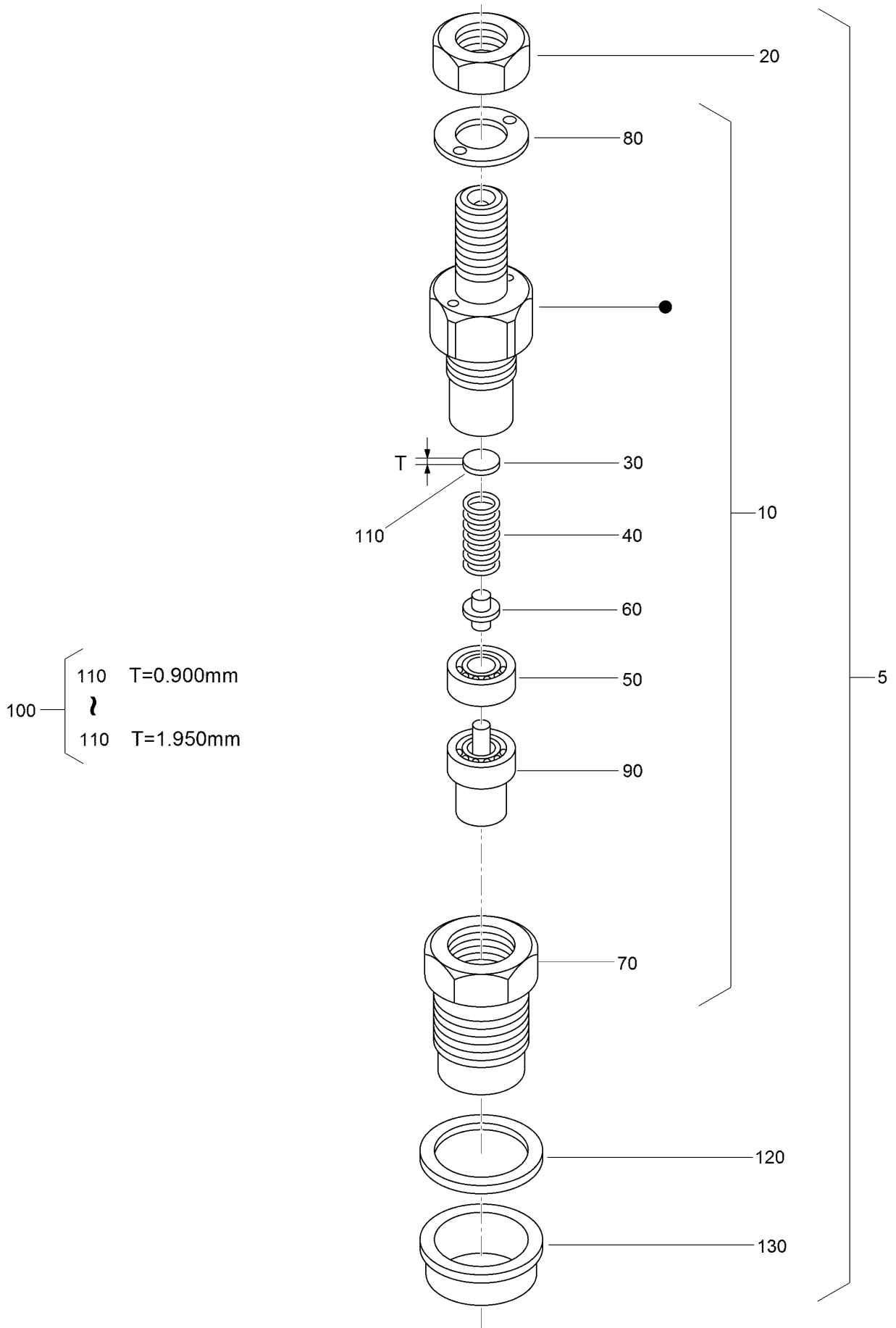
Ref.	Part Number	Qty.	Description
10	121-3833	1	Overflow Pipe ASM
20	98-9431	1	Screw-Bleeder, Air
30	98-7654	1	Gasket
40	130-1305	2	Nozzle Holder Kit
50	130-1303	2	Nozzle Holder ASM
55	130-1442	2	Nut
60	98-7676	2	Gasket
70	98-7677	2	Seal-Heat
80	130-1522	1	Pipe-Injection
90	130-1523	1	Pipe-Injection
100	98-7682	1	Clamp-Pipe
110	98-7683	1	Clamp-Pipe
120	98-7684	1	Screw (W/Washer)

Ref.	Part Number	Qty.	Description
130	130-1411	2	Plug-Glow
140	121-3834	1	Cord-Plug, Glow
150	99-8377	2	Nut-Flange
160	110-3787	1	Fuel Tube ASM
170	110-3788	1	Tube-Fuel
180	98-7671	2	Clip-Pipe
190	110-3785	1	Fuel Tube ASM
200	110-3786	1	Tube-Fuel
210	98-7671	2	Clip-Pipe
220	110-3790	1	Fuel Tube ASM
230	110-3791	1	Tube-Fuel
240	98-7671	2	Clip-Pipe
250	112-8338	1	Pipe-Joint, T



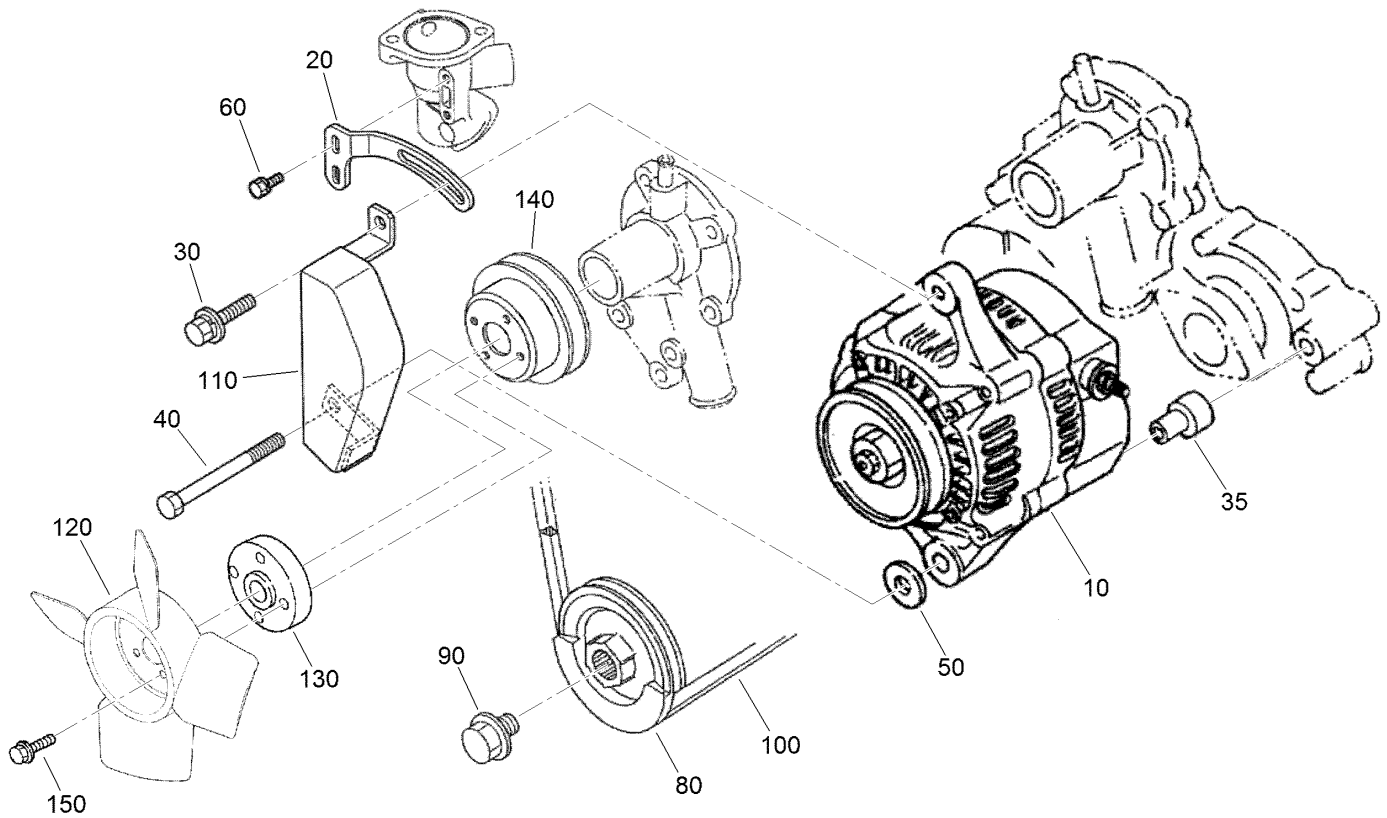
Nozzle Holder and Glow Plug Assembly (continued)

Nozzle Holder Assembly



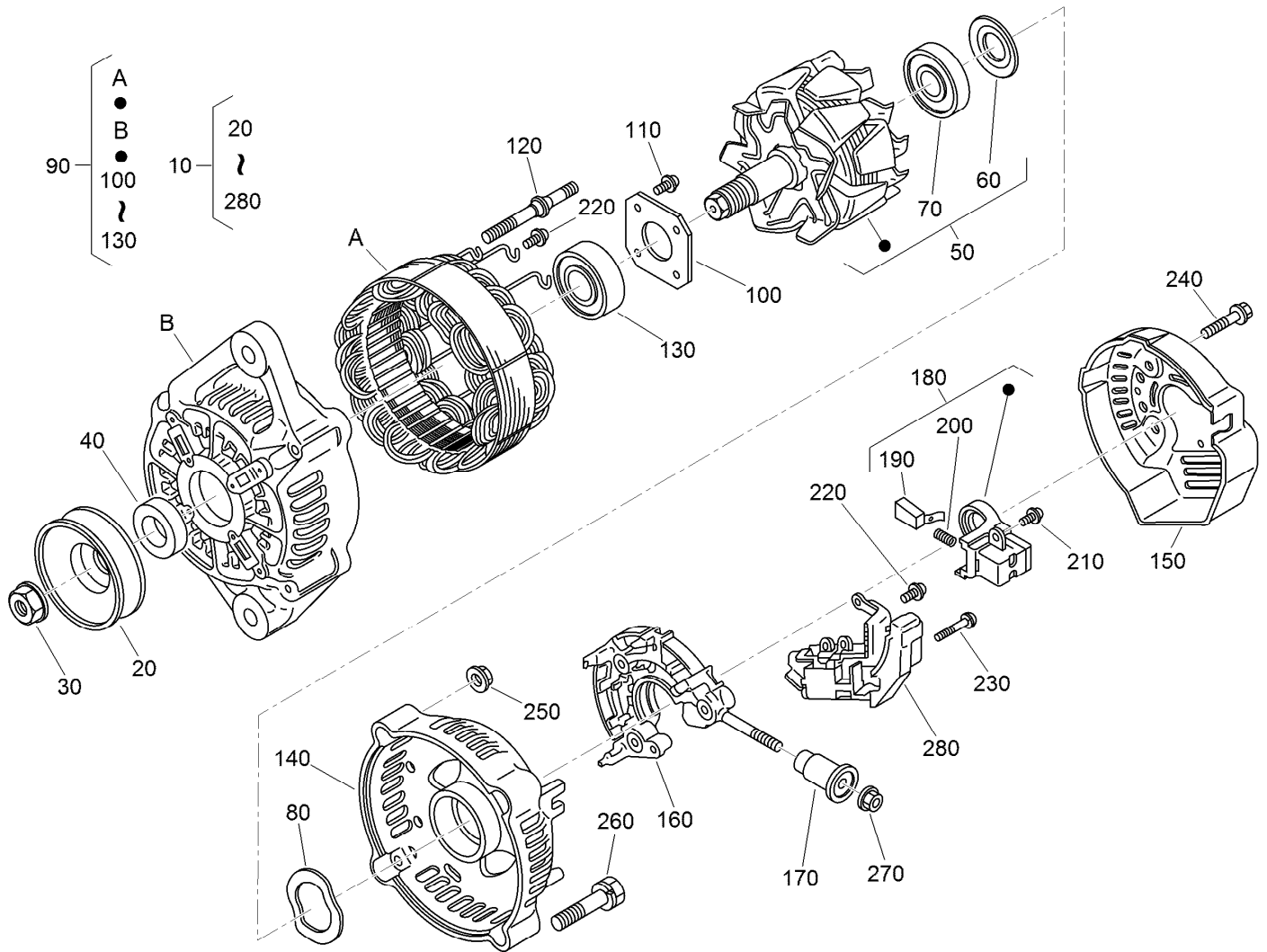
Nozzle Holder Assembly (continued)

<i>Ref.</i>	<i>Part Number</i>	<i>Qty.</i>	<i>Description</i>	<i>Ref.</i>	<i>Part Number</i>	<i>Qty.</i>	<i>Description</i>
5	130-1305	2	Nozzle Holder Kit	110	98-7860	2	Washer-Adjusting (1.400Mm)
10	130-1303	2	Nozzle Holder ASM	110	98-7861	2	Washer-Adjusting (1.425Mm)
20	130-1442	2	Nut	110	98-7862	2	Washer-Adjusting (1.450Mm)
30	99-8302	2	Washer-Adjusting	110	98-7863	2	Washer-Adjusting (1.475Mm)
40	99-8303	2	Spring-Nozzle	110	98-7864	2	Washer-Adjusting (1.500Mm)
50	99-8304	2	Spacer-Distance	110	98-7865	2	Washer-Adjusting (1.525Mm)
60	99-8305	2	Rod-Push	110	98-7866	2	Washer-Adjusting (1.550Mm)
70	130-1304	2	Nut-Nozzle	110	98-7867	2	Washer-Adjusting (1.575Mm)
80	99-8307	2	Washer-Plain	110	98-7868	2	Washer-Adjusting (1.600Mm)
90	130-1497	2	Nozzle-Piece	110	98-7869	2	Washer-Adjusting (1.625Mm)
100	98-9448	2	Adjusting Washer ASM	110	98-7870	2	Washer-Adjusting (1.650Mm)
110	98-7642	2	Washer-Adjusting (0.900Mm)	110	98-7871	2	Washer-Adjusting (1.675Mm)
110	98-7841	2	Washer-Adjusting (0.925Mm)	110	98-7872	2	Washer-Adjusting (1.700Mm)
110	98-7842	2	Washer-Adjusting (0.950Mm)	110	98-7873	2	Washer-Adjusting (1.725Mm)
110	98-7843	2	Washer-Adjusting (0.975Mm)	110	98-7874	2	Washer-Adjusting (1.750Mm)
110	98-7844	2	Washer-Adjusting (1.000Mm)	110	98-7875	2	Washer-Adjusting (1.775Mm)
110	98-7845	2	Washer-Adjusting (1.025Mm)	110	98-7876	2	Washer-Adjusting (1.800Mm)
110	98-7846	2	Washer-Adjusting (1.050Mm)	110	98-7877	2	Washer-Adjusting (1.825Mm)
110	98-7847	2	Washer-Adjusting (1.075Mm)	110	98-7878	2	Washer-Adjusting (1.850Mm)
110	98-7848	2	Washer-Adjusting (1.100Mm)	110	98-7879	2	Washer-Adjusting (1.875Mm)
110	98-7849	2	Washer-Adjusting (1.125Mm)	110	98-7880	2	Washer-Adjusting (1.900Mm)
110	98-7850	2	Washer-Adjusting (1.150Mm)	110	98-7881	2	Washer-Adjusting (1.925Mm)
110	98-7851	2	Washer-Adjusting (1.175Mm)	110	98-7882	2	Washer-Adjusting (1.950Mm)
110	98-7852	2	Washer-Adjusting (1.200Mm)	120	98-7676	2	Gasket
110	98-7853	2	Washer-Adjusting (1.225Mm)	130	98-7677	2	Seal-Heat
110	98-7854	2	Washer-Adjusting (1.250Mm)				
110	98-7855	2	Washer-Adjusting (1.275Mm)				
110	98-7856	2	Washer-Adjusting (1.300Mm)				
110	98-7857	2	Washer-Adjusting (1.325Mm)				
110	98-7858	2	Washer-Adjusting (1.350Mm)				
110	98-7859	2	Washer-Adjusting (1.375Mm)				



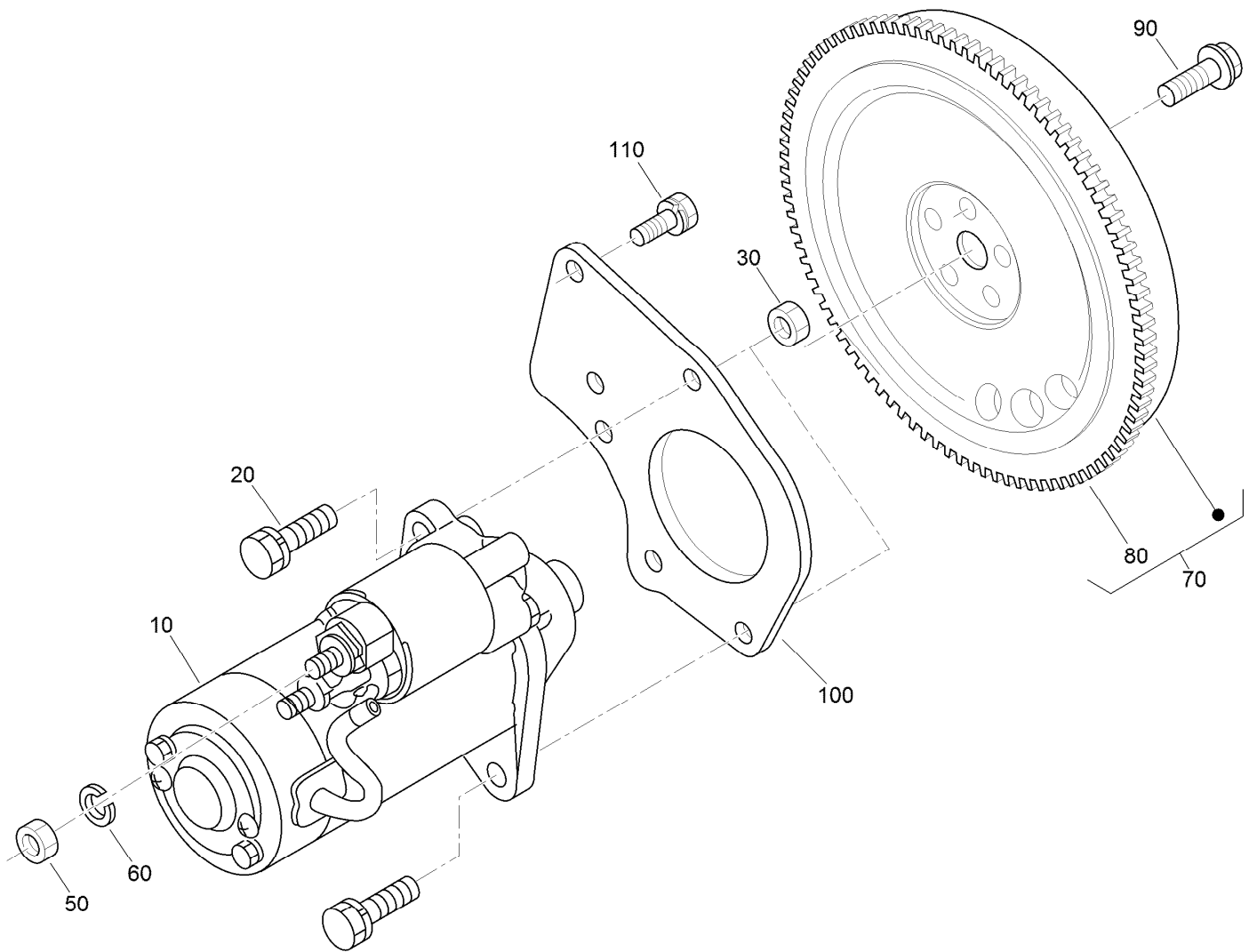
Alternator, Pulley and Fan Assembly

Ref.	Part Number	Qty.	Description
10	121-3811	1	Alternator ASM
20	110-3792	1	Stay-Alternator
30	121-3800	1	Bolt-Sems
35	110-3794	1	Collar
40	110-3793	1	Bolt
50	120-5832	1	Washer-Plain
60	98-7692	2	Bolt
80	121-3809	1	Regulator ASM
90	100-1978	1	Bolt
100	112-2511	1	Belt
110	110-3797	1	Cover
120	121-3804	1	Fan
130	108-2872	1	Collar-Fan
140	100-1921	1	Pulley-Fan
150	108-2873	4	Bolt-Flange



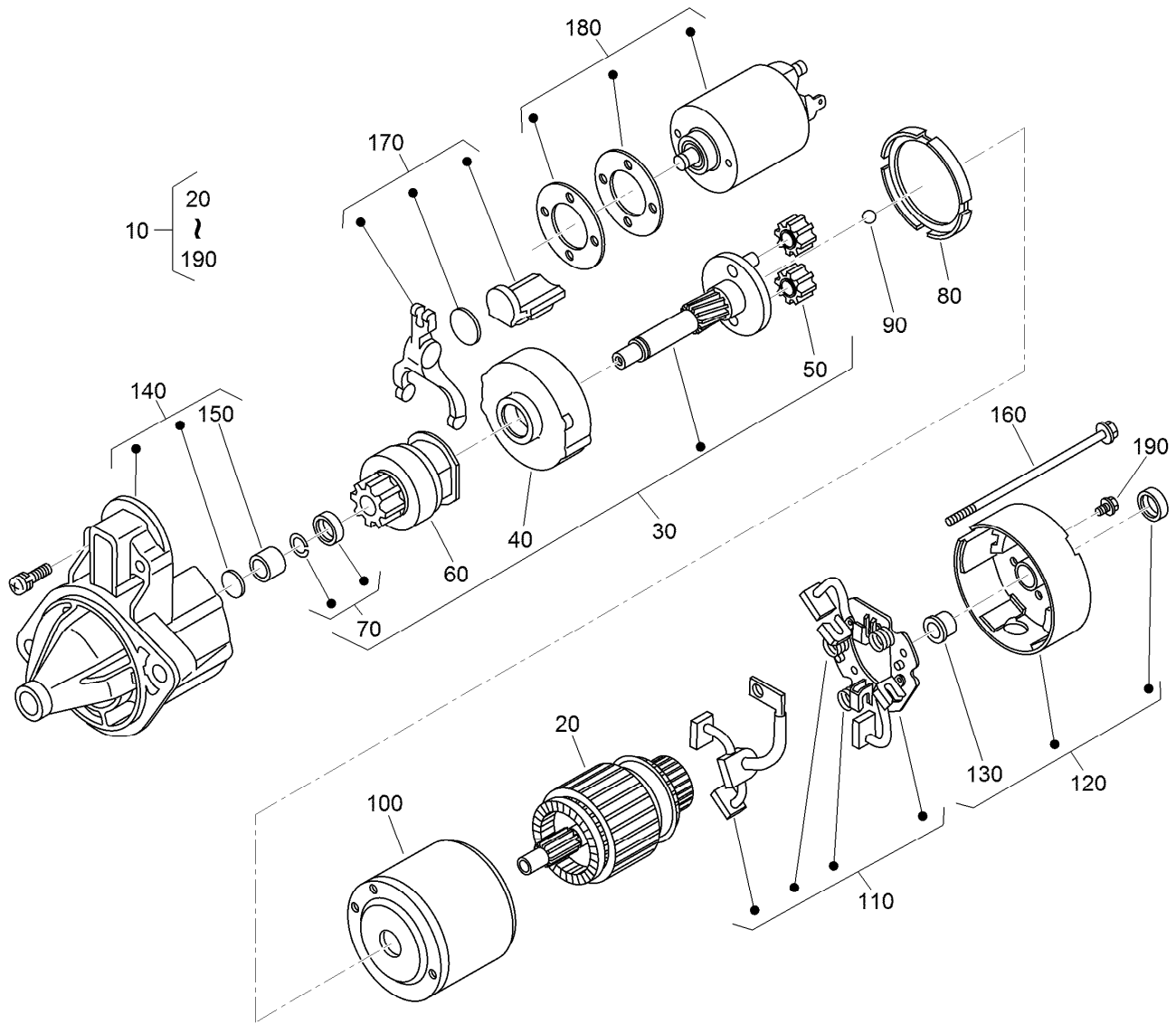
Alternator Components Assembly

<i>Ref.</i>	<i>Part Number</i>	<i>Qty.</i>	<i>Description</i>	<i>Ref.</i>	<i>Part Number</i>	<i>Qty.</i>	<i>Description</i>
10	121-3811	1	Alternator ASM	150	121-3813	1	Cover-End
20	98-9453	1	Pulley-Dynamo	160	121-3805	1	Rectifier ASM
30	98-7708	1	Nut	170	117-0321	1	Insulation-Brush
40	98-7709	1	Collar	180	107-0141	1	Brush Holder ASM
50	107-0136	1	Rotor ASM	190	98-7724	2	Brush
60	98-7711	1	Cover-Bearing	200	98-7725	2	Spring-Brush
70	107-0138	1	Bearing-Ball	210	98-7726	2	Screw-Head, Round
80	98-7713	1	Washer-Thrust	220	98-7727	6	Screw-Head, Round
90	107-0139	1	Drive End Frame ASM	230	98-7728	1	Screw-Head, Round
100	98-7715	1	Plate-Retainer	240	98-7729	3	Bolt
110	98-7716	4	Screw-Head, Round	250	98-7730	2	Nut
120	98-7717	2	Bolt-Through	260	98-7731	2	Bolt
130	107-0137	1	Bearing-Ball	270	98-7732	1	Nut
140	121-3812	1	Frame-End	280	121-3809	1	Regulator ASM



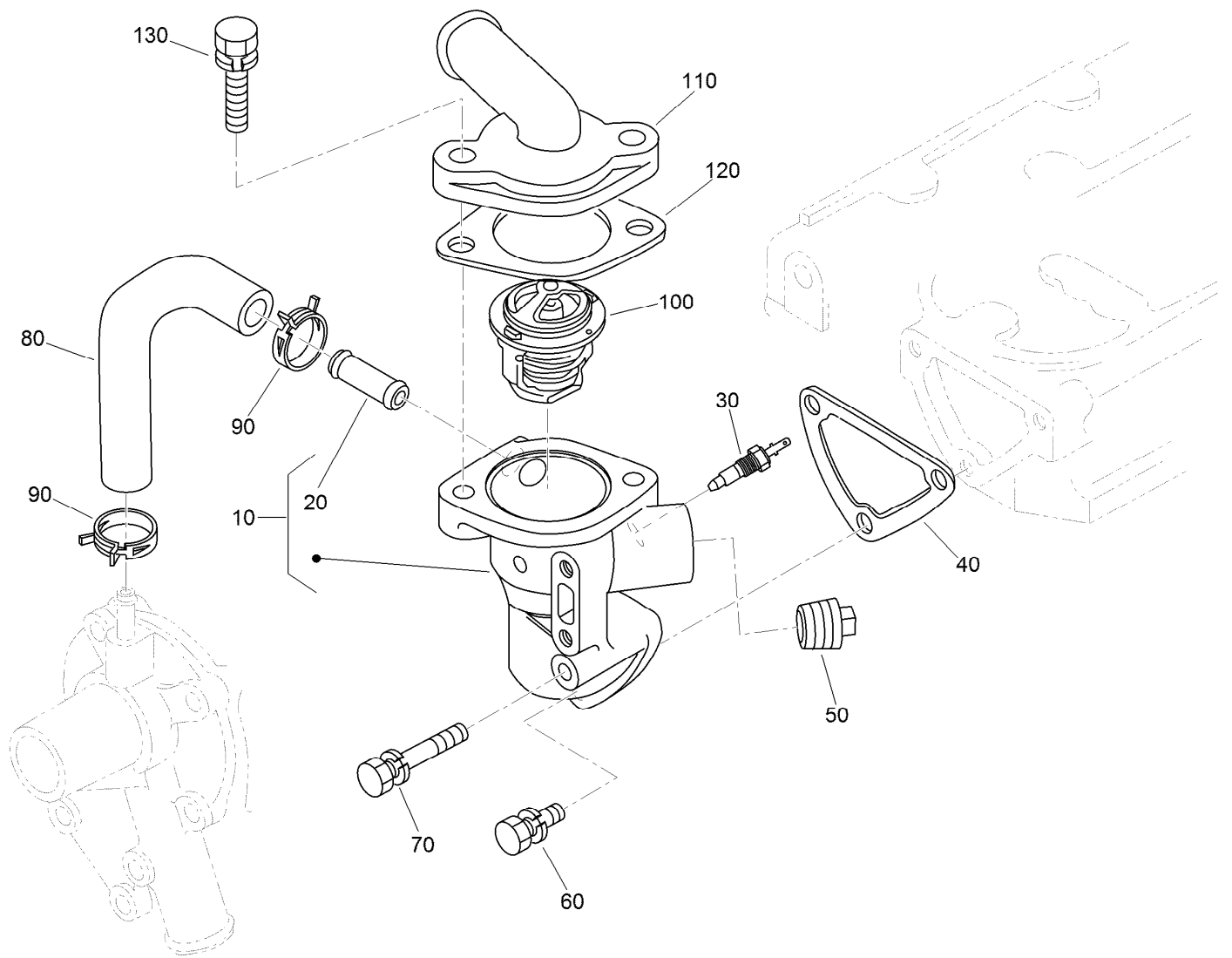
Starter and Flywheel Assembly

<i>Ref.</i>	<i>Part Number</i>	<i>Qty.</i>	<i>Description</i>
10	130-1297	1	Starter ASM
20	98-7697	2	Bolt
30	98-7534	2	Nut
50	98-7534	1	Nut
60	105-2893	1	Washer-Spring
70	130-1296	1	Flywheel ASM
80	127-1604	1	Gear-Ring
90	100-1930	5	Bolt-Flywheel
100	117-0323	1	Plate-End, Rear
110	110-3754	3	Bolt



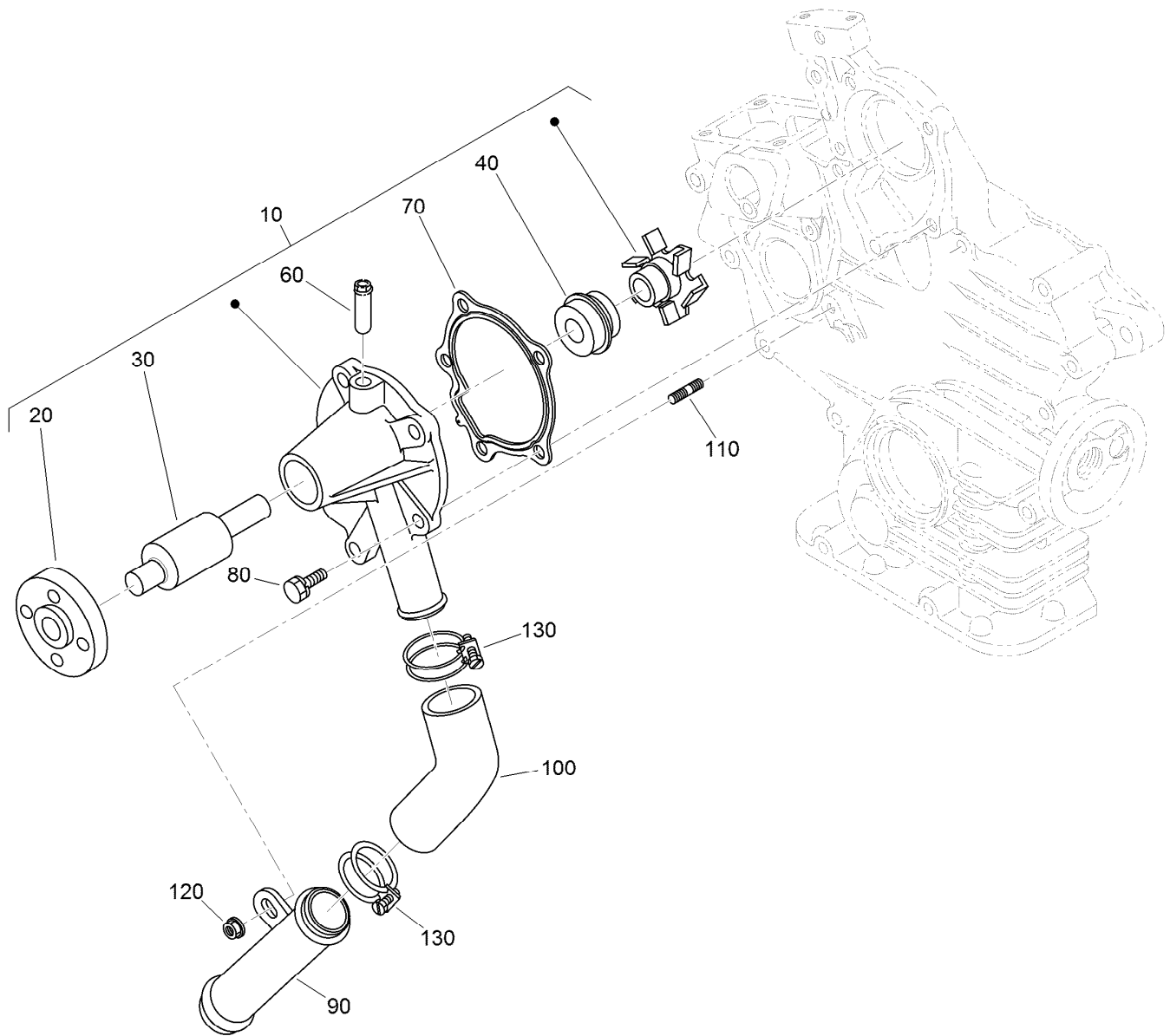
Starter Component Assembly

<i>Ref.</i>	<i>Part Number</i>	<i>Qty.</i>	<i>Description</i>	<i>Ref.</i>	<i>Part Number</i>	<i>Qty.</i>	<i>Description</i>
10	130-1297	1	Starter ASM	110	110-3810	1	Brush Holder ASM
20	121-3817	1	Armature	120	110-3811	1	Rear Bracket ASM
30	110-3802	1	Shaft ASM	130	110-3812	1	Bushing
40	120-3142	1	Gear-Internal	140	110-3813	1	Front Bracket ASM
50	110-3804	3	Gear-Planetary	150	110-3814	1	Bushing
60	110-3805	1	Clutch-Running, Over	160	121-3846	2	Bolt
70	110-3806	1	Stopper	170	110-3816	1	Fork Lever ASM
80	120-3143	1	Gasket	180	125-9099	1	Switch-Magnetic
90	110-3808	1	Ball	190	110-3818	4	Screws (Set Of 4)
100	130-1298	1	Yoke				



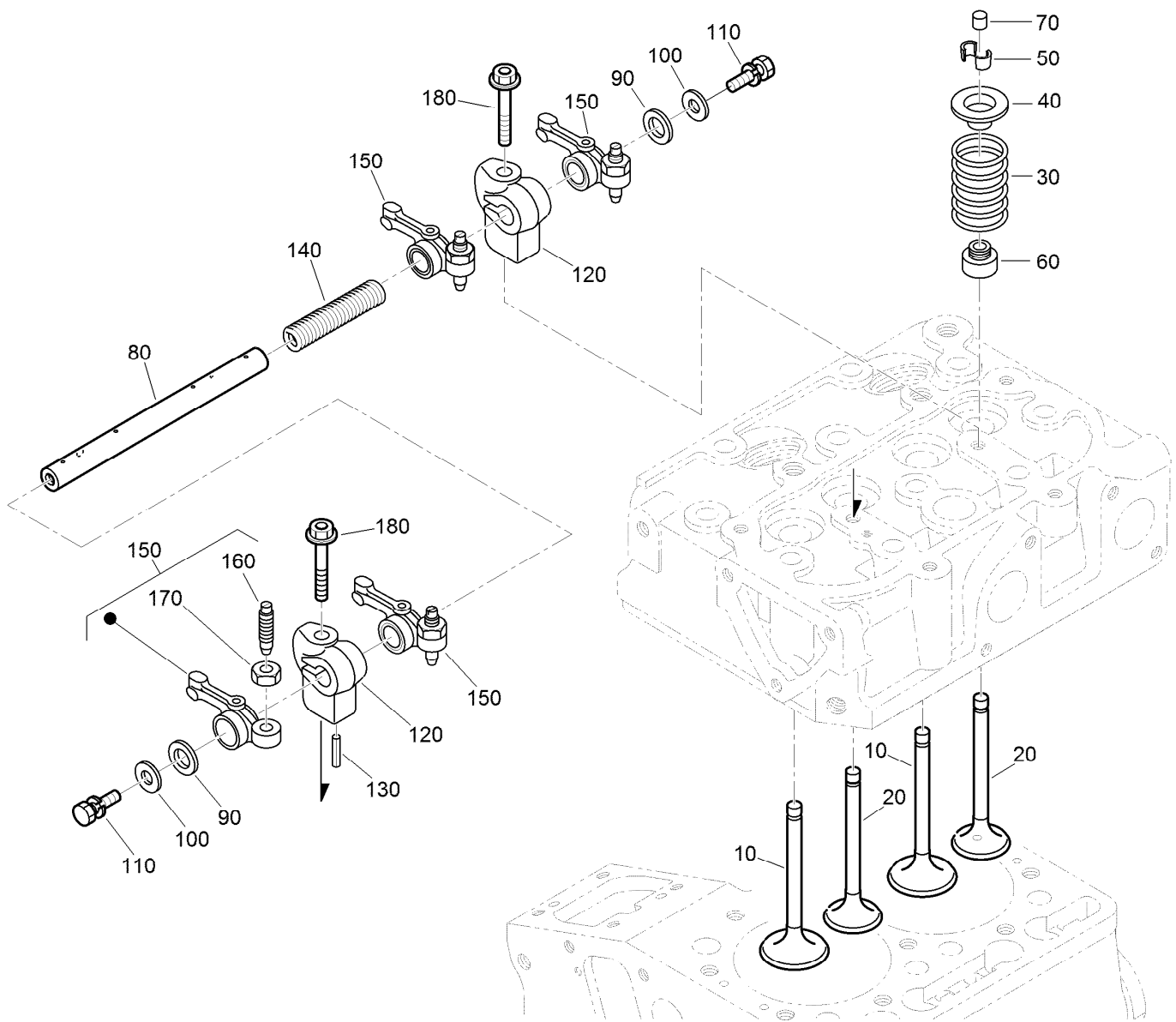
Water Flange and Thermostat Assembly

<i>Ref.</i>	<i>Part Number</i>	<i>Qty.</i>	<i>Description</i>
10	110-3819	1	Water Flange ASM
20	98-9580	1	Pipe-Return, Water
30	99-3582	1	Thermoswitch
40	110-3820	1	Gasket-Flange, Water
50	110-3821	1	Plug
60	98-7692	2	Bolt
70	125-9063	1	Bolt-Sems
80	110-3822	1	Pipe-Return, Water
90	125-9078	2	Clamp-Hose
100	98-7778	1	Thermostat ASM
110	110-3823	1	Cover-Thermostat
120	105-3748	1	Gasket-Thermostat
130	98-7777	2	Bolt



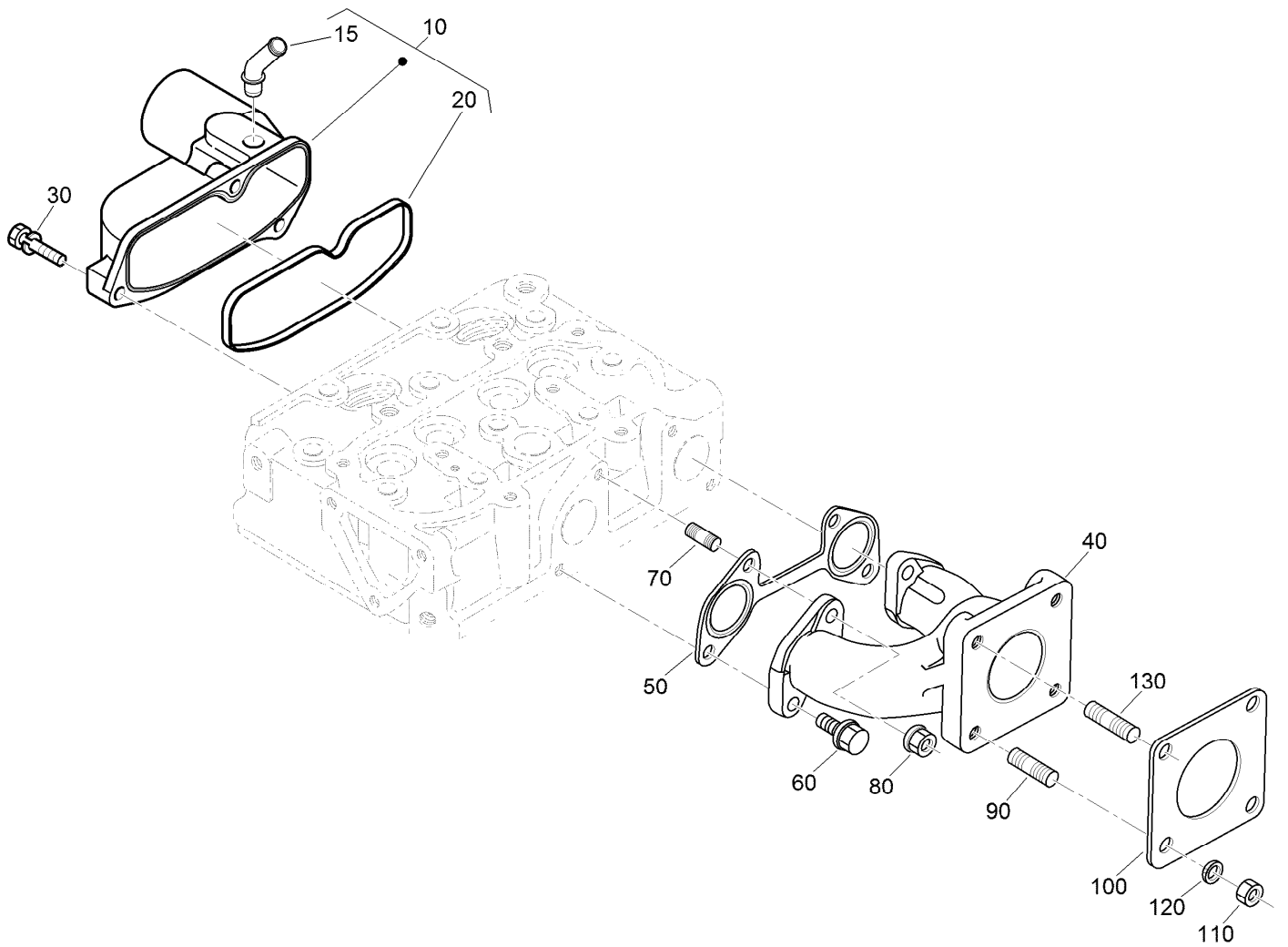
Water Pump and Water Pipe Assembly

<i>Ref.</i>	<i>Part Number</i>	<i>Qty.</i>	<i>Description</i>
10	110-3824	1	Water Pump ASM
20	125-9081	1	Flange-Pump, Water
30	100-1934	1	Bearing-Ball
40	99-3518	1	Water Pump Seal ASM
60	100-1932	1	Pipe-Return, Water
70	117-0330	1	Gasket-Pump, Water
80	100-1750	4	Bolt
90	100-1918	1	Pipe-Water
100	110-3827	1	Pipe-Water
110	100-1924	1	Stud
120	100-2203	1	Nut-Flange
130	110-3828	2	Band-Pipe



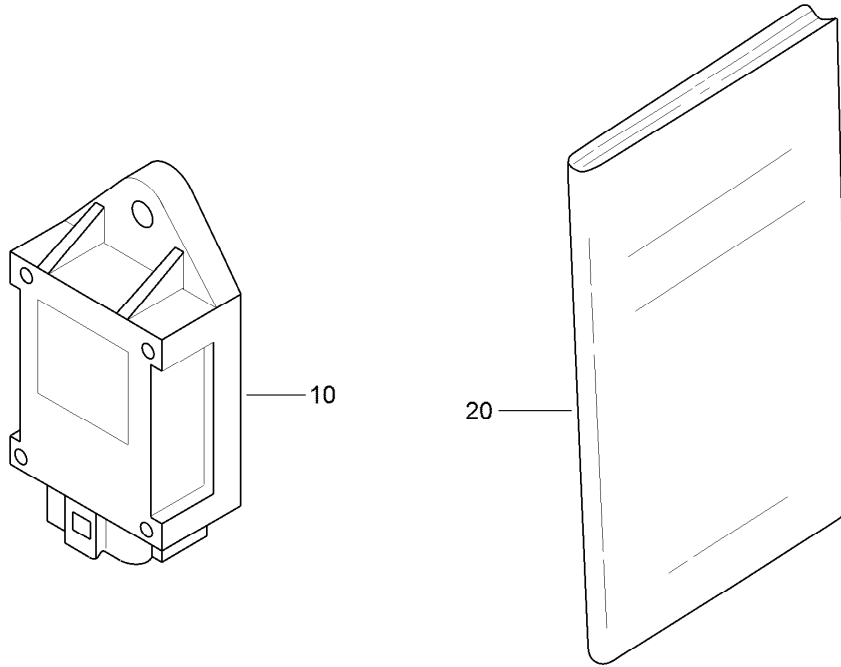
Valve and Rocker Arm Assembly

<i>Ref.</i>	<i>Part Number</i>	<i>Qty.</i>	<i>Description</i>	<i>Ref.</i>	<i>Part Number</i>	<i>Qty.</i>	<i>Description</i>
10	112-2514	2	Valve-Inlet	100	110-3832	2	Washer-Plain
20	112-2515	2	Valve-Exhaust	110	100-1762	2	Bolt
30	100-1823	4	Spring-Valve	120	110-3833	2	Bracket-Arm, Rocker
40	100-1825	4	Retainer-Spring, Valve	130	98-7602	1	Pin-Spring
50	120-3136	4	Collet-Spring, Valve	140	112-8342	1	Spring
60	100-1797	4	Seal-Stem, Valve	150	100-1884	4	Rocker Arm ASM
70	100-2155	4	Cap-Valve	160	100-1885	4	Screw-Adjusting
80	121-3827	1	Shaft-Arm, Rocker	170	100-1827	4	Nut
90	100-2044	2	Washer	180	110-3834	2	Bolt-Flange



Inlet and Exhaust Manifold Assembly

Ref.	Part Number	Qty.	Description
10	121-3840	1	Intake Manifold ASM
15	121-2417	1	Pipe-Breather
20	121-3825	1	Gasket- Manifold, Intake
30	98-9352	3	Bolt
40	121-3844	1	Manifold-Exhaust
50	121-3826	1	Gasket-Manifold, Exhaust
60	130-1514	2	Bolt-Ubs
70	130-1156	2	Bolt-Stud
80	100-1778	2	Nut
90	98-7769	3	Stud
100	99-8343	1	Gasket-Muffler
110	98-7534	4	Nut
120	105-2893	4	Washer-Spring
130	120-4862	1	Stud-Exhaust, Long



Miscellaneous Engine Parts

<i>Ref.</i>	<i>Part Number</i>	<i>Qty.</i>	<i>Description</i>
10	98-7611	1	Controller-Glow
20	130-1513	1	Manual-Operator

Attachments and Accessories

For 07359 Workman MDX-D Utility Vehicle

Product Name	Model/Part
Electric Bed Lift Kit, 2014 and After Workman MD/MDX/MDX-D Utility Vehicle	07389
Receiver Hitch Kit	07278
Roll-Over Protection System	07276
Canopy Kit	07324
Folding Windshield Kit	07326
Solid Windshield Kit	07325
Heavy-Duty Brush Guard and Bumper Kit	07338
Heavy-Duty Bumper Kit	07329
Hard Cab	07328
Sliding Window Door Kit	07352
Fixed Window Door Kit	07353
Snow Plow	07327
Lift Wire Harness Kit	115-7823
Backup Alarm Kit	115-7824
Tire And Wheel Asm	119-0751
Replacement Front Spring Kit.....	117-4847
Tire-AT 489, 24x10.5-10	104-7061
Tire-AT 489, 22x9.5-10	104-7062
Wheel-5 Bolt	104-6889
Spark Arrestor Screen	94-8157
Side Mirror Kit.....	119-9546
Battery Kit	119-9680
Stake Pocket Adapter Kit, 2011 and After Workman MD Series Utility Vehicle.....	119-9604
Tie-Down Kit, 2011 and After Workman MD Series Utility Vehicle	119-9605
Road Light and Homologation Kit	120-5031
Brake and Signal Light Kit.....	120-5044
Road-Ready Pro Force Debris Blower.....	44539
Pro Force Debris Blower.....	44538
Bed Mount Kit, Pro Force Debris Blower.....	44543
Bed Mount Sound Barrier Kit, Pro Force Debris Blower	44546
Tapered Nozzle Kit, Pro Force Debris Blower	119-6280
Rectangular Nozzle Kit, Pro Force Debris Blower	119-6281
Nozzle-Extension, Straight	119-6282
Nozzle-Extension, Tapered.....	119-6283
Nozzle-Extension, Rectangular	119-6284
Horn Kit.....	115-7825
Heater Kit.....	07349
Cargo Bed Installation Kit with Manual Dump, 2011 to 2013 Workman MD Series Utility Vehicle.....	127-7385
Cargo Bed Installation Kit with Electric Lift, 2011 to 2013 Workman MD Series Utility Vehicle.....	127-7386
Cargo Bed Installation Kit with Manual Dump, 2010 and Before Workman MD Series Utility Vehicle.....	131-3457

Notes:

Notes:



Count on it.