



Count on it.

Parts Catalog

SGR-13 Stump Grinder

Model No. 22615—Serial No. 314000001 and Up

Model No. 22615G—Serial No. 314000001 and Up

Model No. 32611—Serial No. 314000001 and Up



Ordering Replacement Parts

To order replacement parts, please supply the part number, the quantity, and the description of each part desired.

Understanding Reference Numbers

Each identified part in an illustration has a reference number. The reference number for a part also appears in the parts list, along with other information about the part.

This catalog uses two special reference number formats, one to indicate parts in a service assembly and another to indicate the quantity of a given part in an illustration.

Service Assembly Reference Numbers

Parts in service assemblies have reference numbers in the form a:b. The a represents the reference number of the entire service assembly and the b represents a sequential number unique to each part within the service assembly.

For example, a wheel assembly might be identified by reference number 6, the tire by 6:1, the valve by 6:2, and the wheel by 6:3. When you order the assembly identified by reference number 6, you receive all parts identified by reference numbers 6:1, 6:2, and 6:3. However, you may also order any part individually. Reference numbers of this type appear in illustration and in parts lists.

Reference Numbers Indicating Quantity

In an illustration, if a reference number indicates more than one part, the reference number has the form nX y. The n represents the quantity of the part, the X is the multiplication symbol, and the y represents the reference number.

For example, in an illustration, the reference number 2X 37 means that two of the parts identified by reference number 37 are indicated.

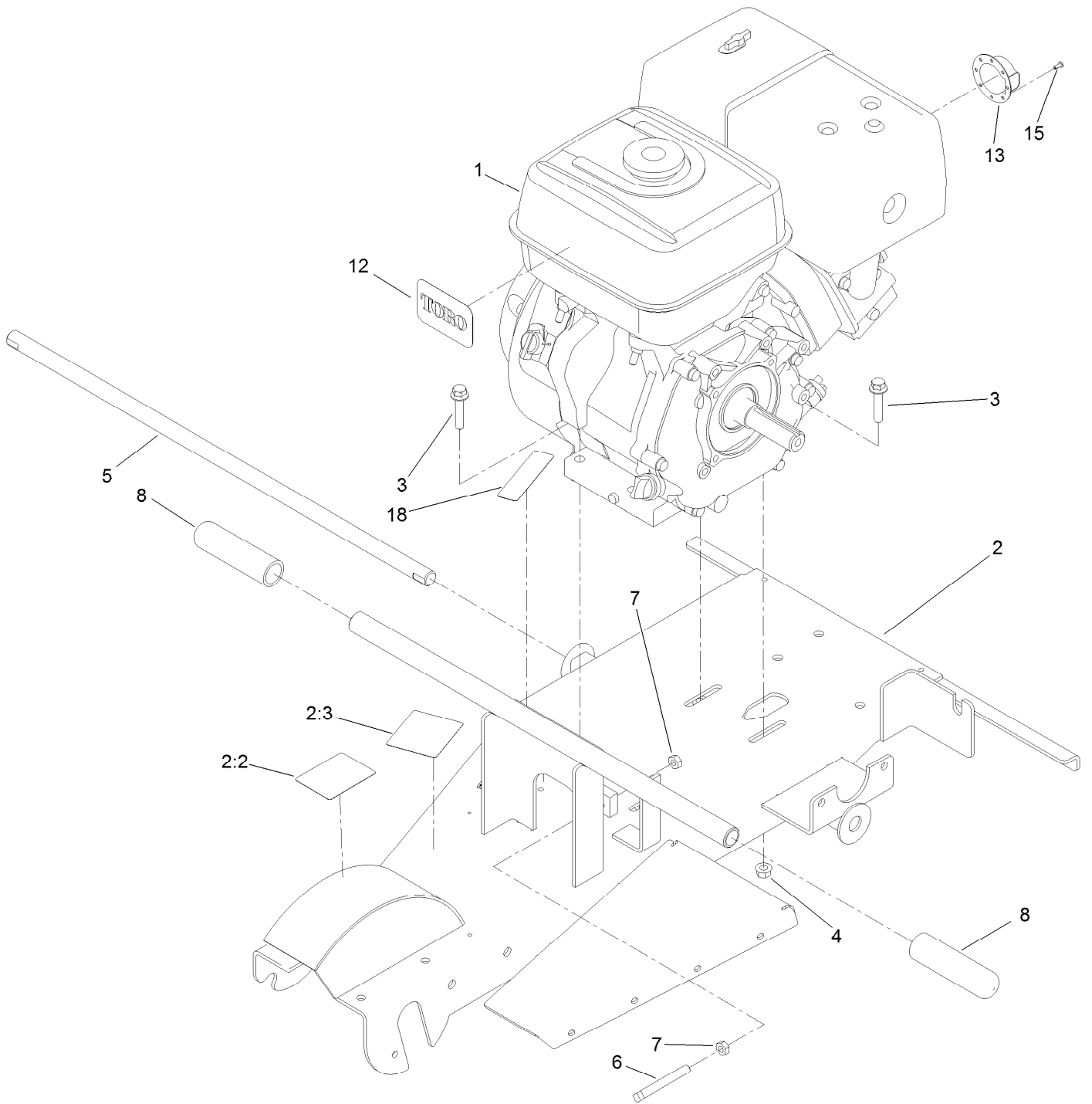
List of Abbreviations

AR: as required	HLH: hex lag head	PTO: power-take-off
ASM: assembly	HOC: height-of-cut	RH: right hand
BBC: blade brake control	HSBH: hex socket button head	ROPS: roll-over protection system
BHTF: button head thread forming	HSFH: hex socket flat head	RRB: rear roller brush
CARR: carriage	HSH: hex socket head	SFH: slotted fillister head
CCW: counter clockwise	HWH: hex washer head	SHH: slotted hex head
CW: clockwise	HWHTF: hex washer head thread forming	SHWH: slotted hex washer head
DEG: degrees	HYD: hydraulic	SPH: slotted pan head
DPA: Dual Point Adjustment	LH: left hand	SQH: square head
ECM: electronic control module	LP: Liquefied Petroleum Gas	SRH: slotted round head
EXT: external	LPG: Liquefied Petroleum Gas	STD: standard
FH: flat head	NI: nylon insert	TAP: self tapping
GA: gauge	NPTF: national pipe thread fine	TTH: torx truss head
HD: heavy-duty	PFH: phillips flat head	
HF: hex flange	PPH: phillips pan head	
HH: hex head	PPHTF: phillips pan head thread forming	
HHF: hex head flange	PRH: phillips round head	
HHFTF: hex head flange thread forming	PTH: phillips truss head	
HJ: hex jam		

Contents

Engine and Frame Assembly	4
Handle Assembly	6
Brake Lever Assembly No. 120-1797	7
Cutter Wheel Assembly	8
Wheel and Brake Assembly	10
Flap Assembly	11
Belt Drive Assembly	12
Attachments and Accessories	14

Engine and Frame Assembly

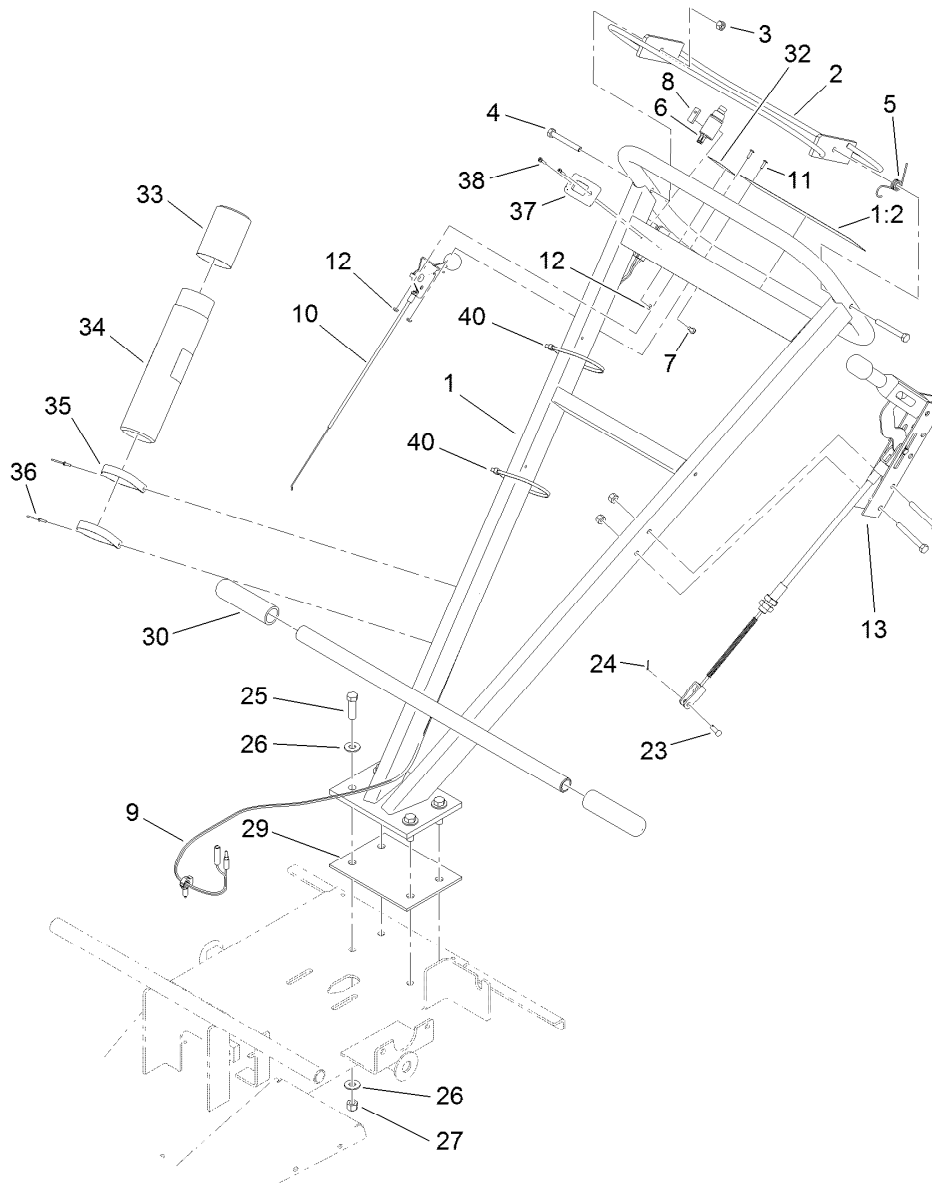


Engine and Frame Assembly (continued)

<i>Ref.</i>	<i>Part Number</i>	<i>Qty.</i>	<i>Description</i>	<i>Ref.</i>	<i>Part Number</i>	<i>Qty.</i>	<i>Description</i>
1		1	Engine-Honda, Gx390Ut2 Qxc9 ●■	6	119-4729	1	Screw-Set, SQH
2	121-4390	1	Frame ASM	7	3217-7	2	Nut-Hex
2:2	119-4690	1	Decal-Danger	8	120-1333	2	Grip-Handle
2:3	119-4693	1	Decal-Caution	12	99-2385	1	Decal
3	3234-19	4	Screw-HHF	13	120-1886	1	Deflector-Exhaust
4	32128-21	4	Nut-HF	15	32144-74	3	Screw-TAP
5	120-1252	1	Bar-Axle	18	117-2718	1	Decal-Arrester, Spark

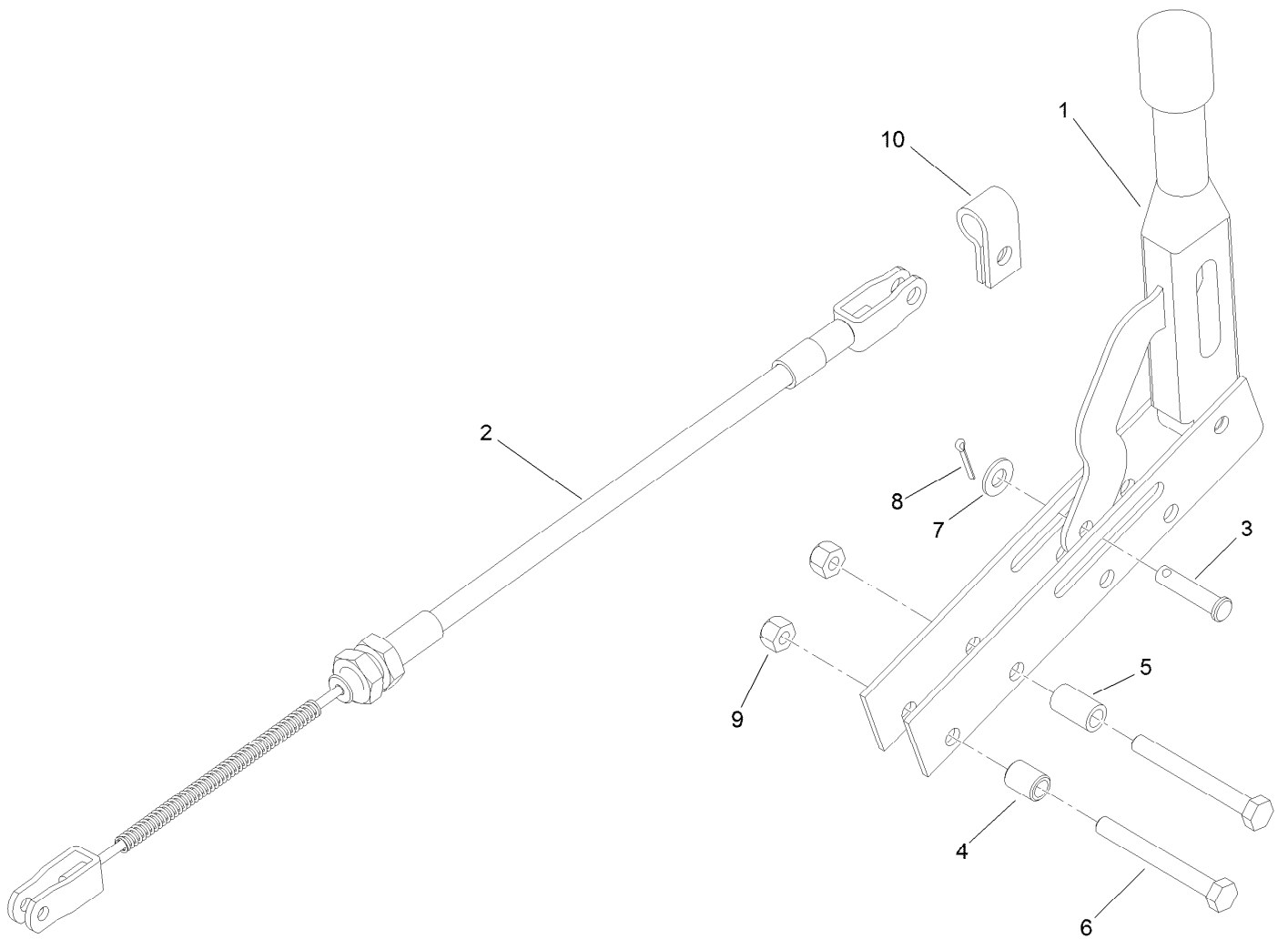
● Not serviced separately

■ Obtain parts from www.honda-engines.com



Handle Assembly

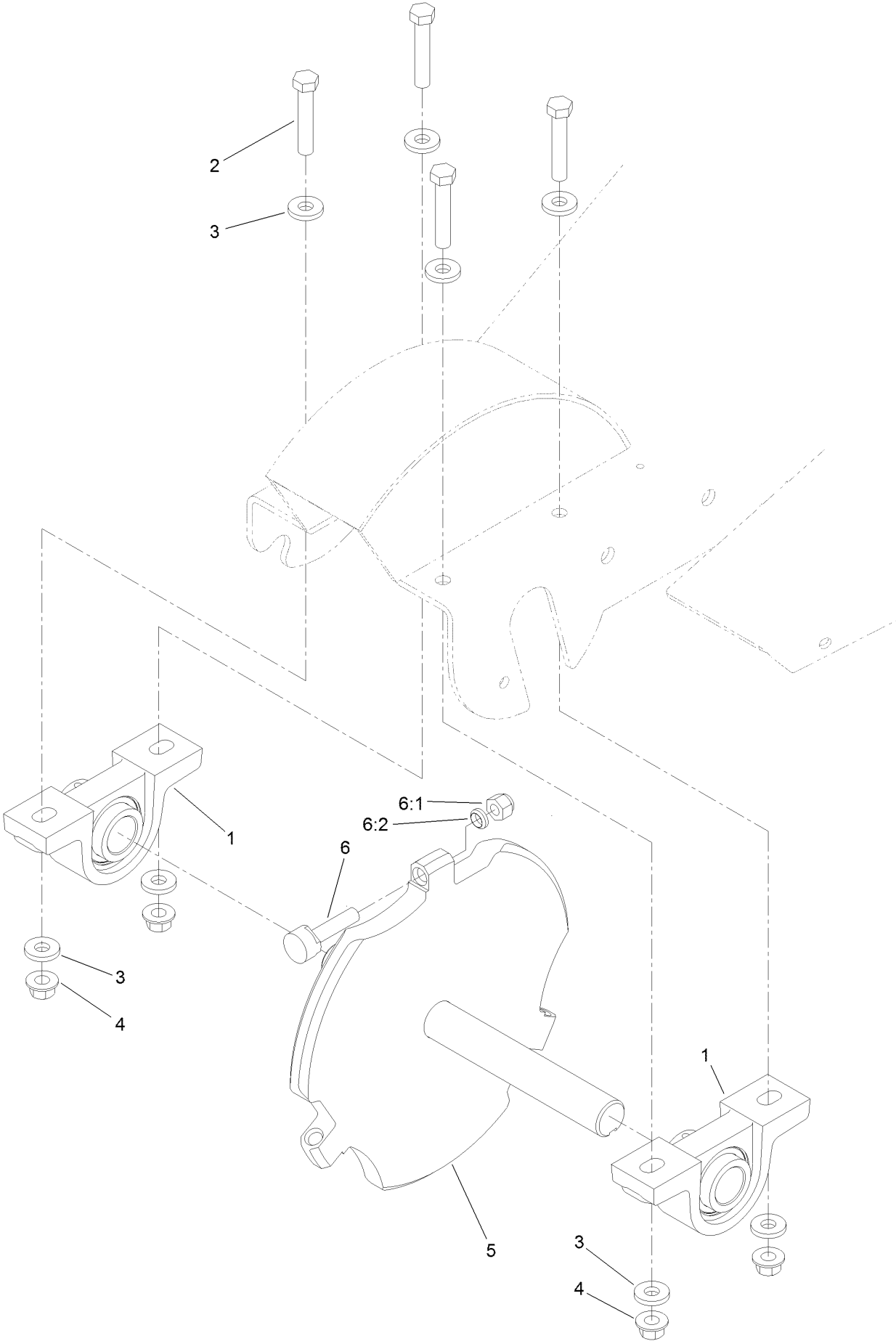
<i>Ref.</i>	<i>Part Number</i>	<i>Qty.</i>	<i>Description</i>	<i>Ref.</i>	<i>Part Number</i>	<i>Qty.</i>	<i>Description</i>
1	121-4391	1	Handle ASM	23	1-808265	1	Pin-Clevis
1:2	119-4701	1	Decal-Warning	24	3272-1	1	Pin-Cotter
2	119-4711-01	1	Handle-Safety	25	324-6	4	Screw-HH
3	3296-29	2	Nut-Lock, NI	26	3256-4	8	Washer-Flat
4	322-12	2	Screw-HH	27	3296-48	4	Nut-Lock, NI
5	120-1291	1	Spring-Return	29	120-1248	1	Gasket-Handle
6	120-1803	1	Switch-Plunger, No (W/Cover)	30	120-1333	2	Grip-Handle
7	1-803071	2	Screw	32	119-4721	1	Decal-Engage
8	1-633181	1	Plate-Tapped	33	104-7048	1	Cap-Housing
9	120-1823	1	Harness-Wire	34	104-7050	1	Tube-Manual
10	120-1285	1	Cable-Throttle	35	2412-120	2	Clamp-R
11	3249-3	2	Screw-PRH	36	3269-17	2	Rivet-Pop
12	3296-9	2	Nut-Lock	37	120-1218	1	Hourmeter-Inductive
13	120-1797	1	Brake Lever ASM	38	3250-39	2	Screw-PPH
				40	3290-379	2	Tie-Cable



Brake Lever Assembly No. 120-1797

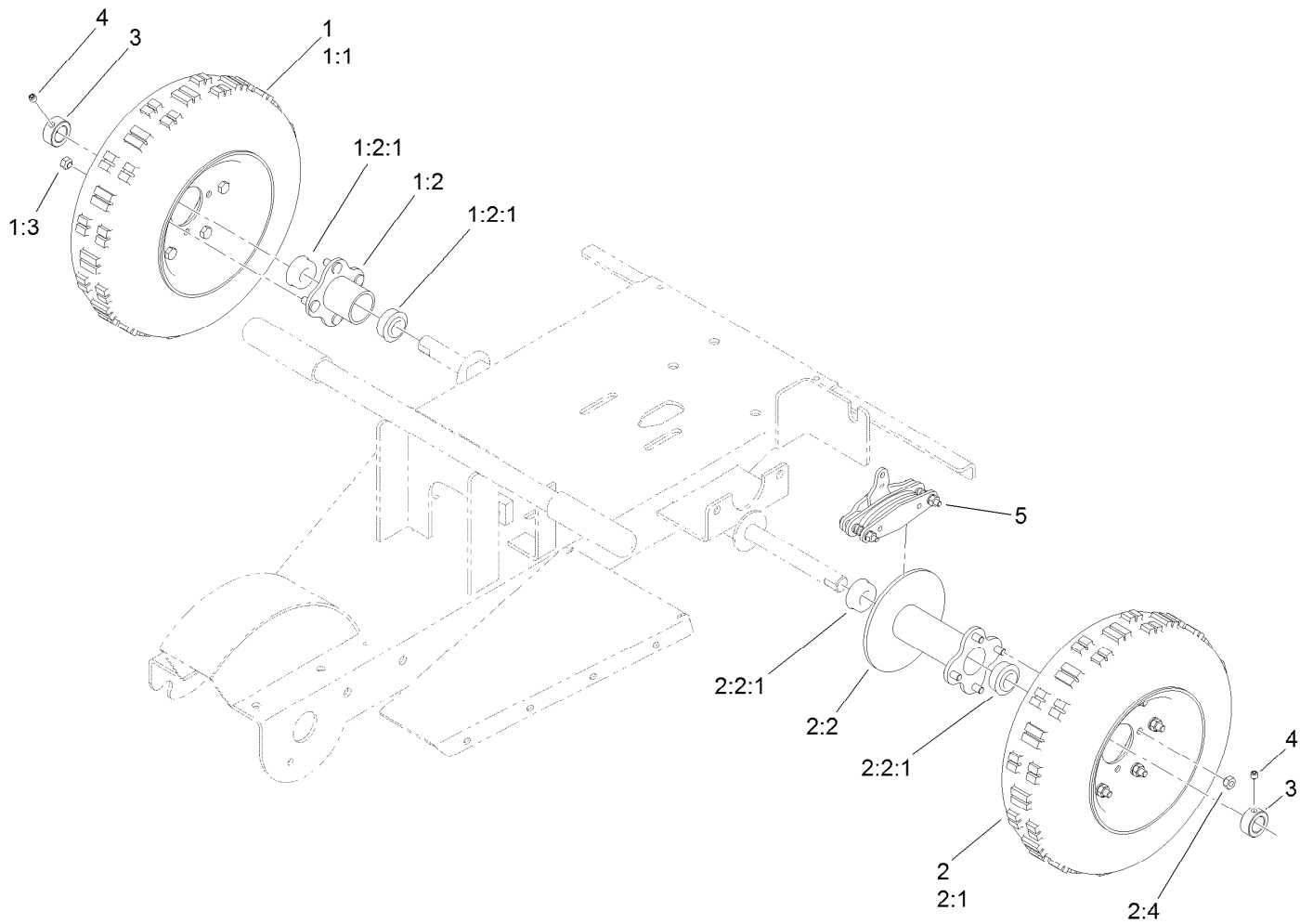
<i>Ref.</i>	<i>Part Number</i>	<i>Qty.</i>	<i>Description</i>
1	120-1219	1	Lever-Brake
2	120-1286	1	Cable-Brake
3	283-14	1	Pin-Clevis
4	88-7450	1	Spacer-Lever, Control
5	115-0826	1	Spacer-Idler
6	322-13	2	Screw-HH
7	3256-23	1	Washer-Flat
8	3272-6	1	Pin-Cotter
9	3296-29	2	Nut-Lock, NI
10	120-1798	1	Clamp-Conduit

Cutter Wheel Assembly



Cutter Wheel Assembly (continued)

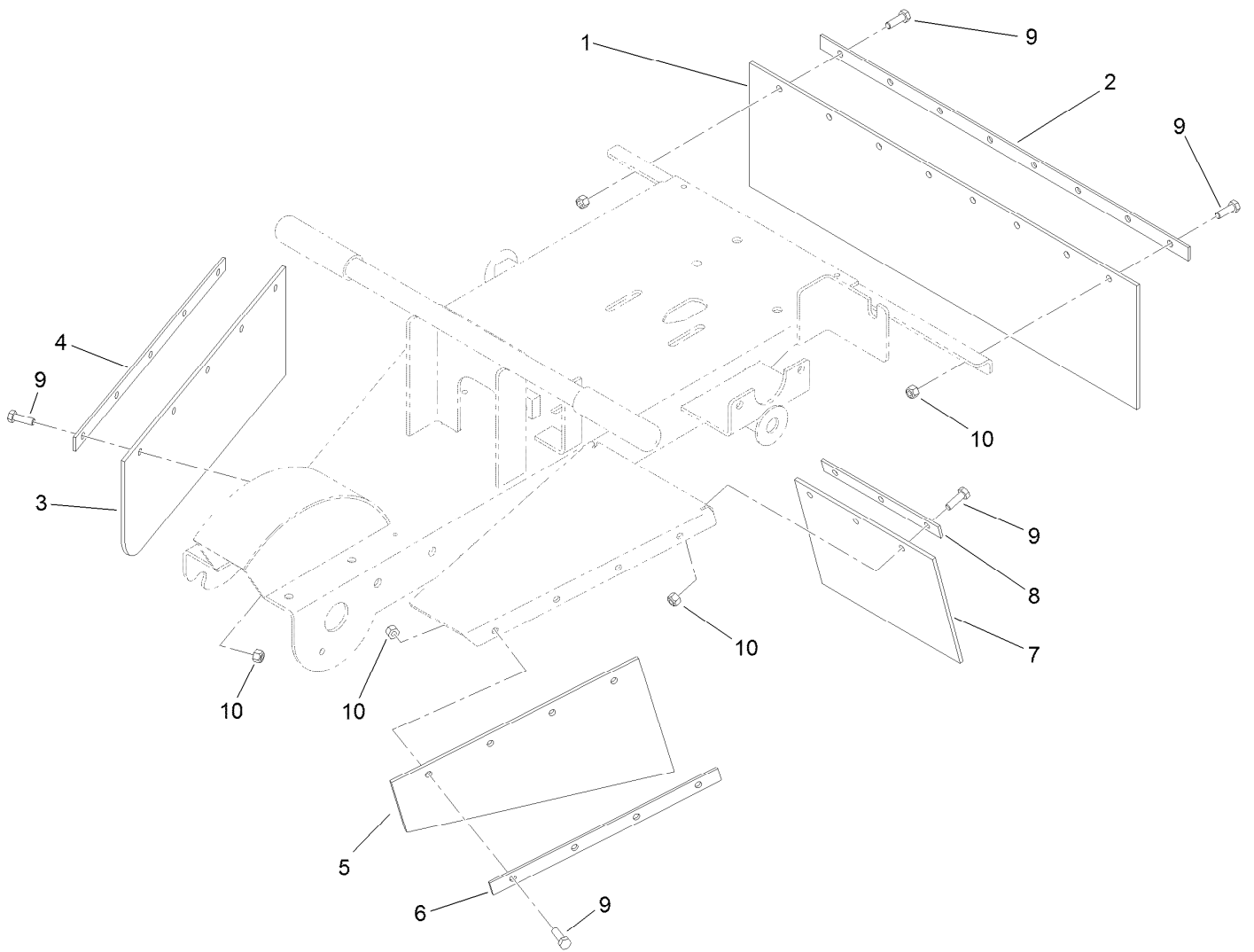
<i>Ref.</i>	<i>Part Number</i>	<i>Qty.</i>	<i>Description</i>	<i>Ref.</i>	<i>Part Number</i>	<i>Qty.</i>	<i>Description</i>
1	120-1211	2	Bearing ASM	5	125-3676-03	1	Wheel-Cutter, 3-Tooth
2	3211-41	4	Screw-HH	6	115-9385	3	Grinder Tooth ASM
3	71-9310	8	Spacer	6:1	3296-39	1	Nut-Lock, NI
4	54-9190	4	Nut-Lock	6:2	121-4365	1	Spacer-Tooth



Wheel and Brake Assembly

Ref.	Part Number	Qty.	Description
1	120-1216	1	Tire ASM (W/ Hub)
1:1	120-1287	1	Tire ASM
1:2	120-1295	1	Hub
1:2:1	120-1296	2	Bearing-Wheel
1:3	120-1304	4	Nut-Wheel
2	120-1214	1	Tire ASM (W/ Hub And Brake)
2:1	120-1287	1	Tire ASM
2:2	120-1297	1	Hub
2:2:1	120-1296	2	Bearing-Wheel
2:4	120-1304	4	Nut-Wheel
3	120-1294	2	Collar-Set
4	3246-2	2	Setscrew 5/16-18 X 5/16 ●
5	120-1773	1	Brake-Caliper

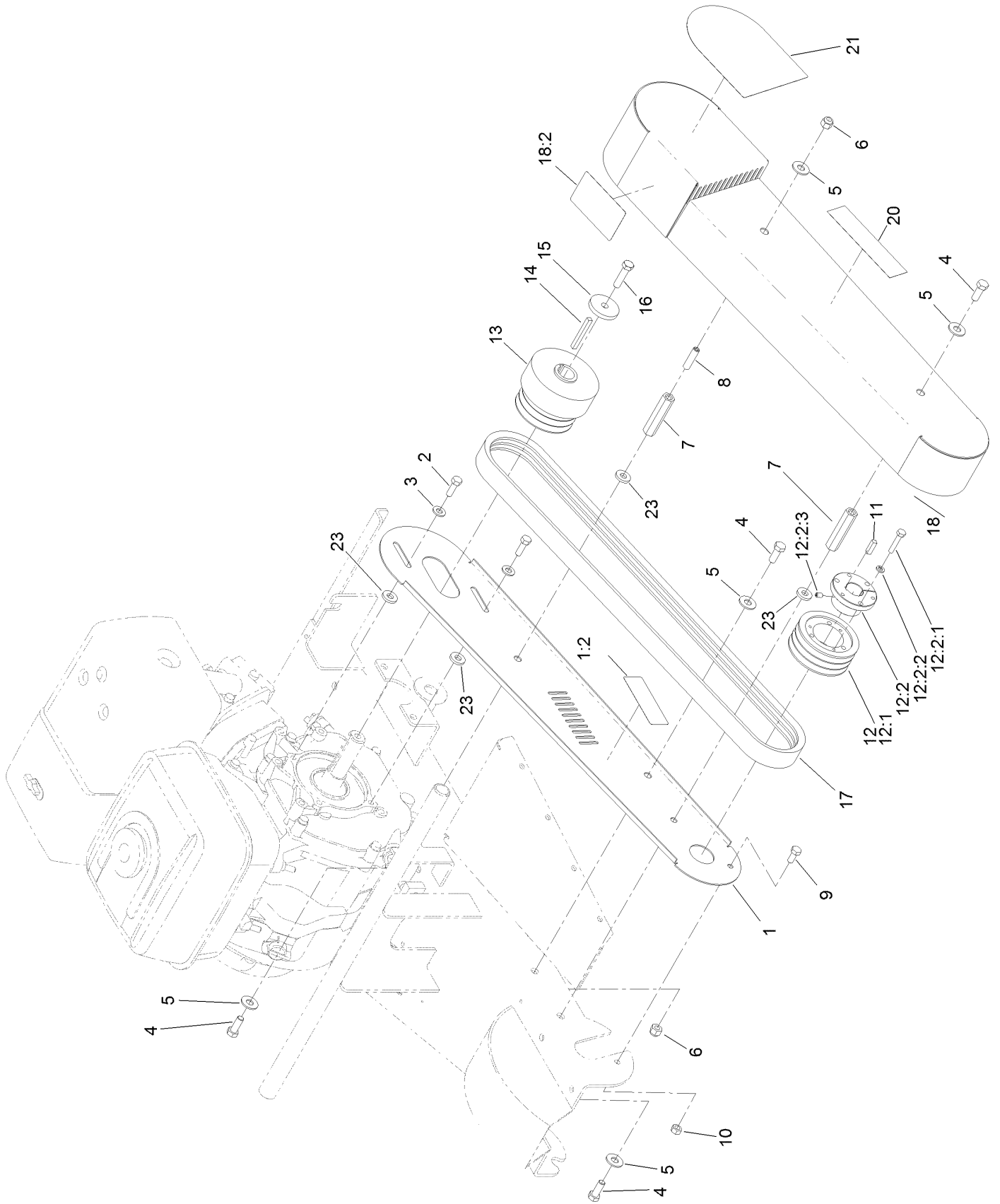
● Use Pro-Lock retaining type, Part no. 1-840023 (.5cc tube) on threads.



Flap Assembly

<i>Ref.</i>	<i>Part Number</i>	<i>Qty.</i>	<i>Description</i>
1	120-1236	1	Flap-Rear
2	120-1238-01	1	Plate-Mounting, Flap
3	120-1240	1	Flap-RH
4	120-1241-01	1	Bracket-Support, Flap (RH)
5	120-1242	1	Flap-LH
6	120-1243-01	1	Bracket-Support, Flap (LH)
7	120-1244	1	Flap-Small
8	120-1246-01	1	Bracket-Support, Flap
9	322-5	20	Screw-HH
10	3296-29	20	Nut-Lock, NI

Belt Drive Assembly



Belt Drive Assembly (continued)

<i>Ref.</i>	<i>Part Number</i>	<i>Qty.</i>	<i>Description</i>	<i>Ref.</i>	<i>Part Number</i>	<i>Qty.</i>	<i>Description</i>
1	121-4413	1	Plate-Guard	12:2	61-3340	1	Bushing
1:2	117-4979	1	Decal-Warning, Shields	12:2:1	321-13	3	Screw-HH
2	3210-5	2	Screw-HH	12:2:2	3253-2	3	Washer-Lock
3	3256-38	2	Washer-Flat	12:2:3	3245-2	1	Screw-Set, HSH
4	323-6	4	Screw-HH	13	120-1204	1	Clutch
5	3256-4	4	Washer-Flat	14	63-8150	1	Key-Square
6	3296-39	2	Nut-Lock, NI	15	110-9981	1	Washer-Plain
7	120-1234	2	Spacer-Guard	16	3211-6	1	Screw-HH ●
8	3247-8	1	Screw-Set, HSH	17	120-1203	1	Belt-3V
9	322-3	1	Screw-HH	18	121-4414	1	Belt Guard ASM
10	3217-6	1	Nut-Hex	18:2	119-4692	1	Decal-Caution
11	10-7070	1	Key-Square	20	120-1816	1	Decal
12	120-1298	1	Sheave ASM	21	119-4724	1	Decal
12:1	95-0883	1	Pulley	23	43-0940	4	Spacer

● Use Pro-Lock retaining type, Part no. 1-840023 (.5cc tube) on threads.

Attachments and Accessories

For 32611 SGR-13 Stump Grinder

Product Name

Model/Part

Stump Grinder Blade Tote.....	22607
Blade Tote (Set of 6-Sharpended).....	22607-SH

Notes:



Count on it.