



Lawn Striping Kit with 30in Roller Walk-Behind Lawn Mowers

Model No. 20602

Operator's Manual

The lawn striper attachment is designed to work with some Toro 30" self-propelled mowers.

Safety

- Read all of the instructions in this manual prior to using the lawn striper attachment.
- Before use, verify that this is an approved attachment for your machine. Do not use with any other type of mower.
- The lawn striper attaches to and follows behind your lawn mower during normal grass-cutting operations, and should not affect the operating characteristics of your mower. Carefully follow all of your lawn mower manufacturer's operating instructions and warnings when using the lawn striper attachment.
- The lawn striper attachment should not interfere with normal mower operations, such as cutting/mulching/bagging. If there is any interference immediately shut off mower, then inspect the lawn striper attachment installation, make any adjustments needed to correct the problem, and reassess operations to verify that the interference has been resolved.
- The lawn striper attachment must be properly installed, attached, and adjusted in order to work along with your particular lawn mower.
- If the lawn striper attachment should interfere with your ability to mow around obstructions, walkways, or other tightly constrained areas, shut off the mower, remove the roller assembly, and then mow around the obstructed area without the roller assembly attached.

⚠ CAUTION

Do not assemble, disassemble, attach, inspect, or adjust the lawn striper attachment while the mower is running.

Shut off the mower before performing any of these actions.

⚠ CAUTION

Do not place clamp system over any type of existing wires/cables that may be present on lawn mower handlebars.



Setup

1. Loosen the bolt near the right rear wheel (Figure 1).

Note: Only loosen the bolt enough to allow space to slide the bracket in between the bolt and the machine frame.

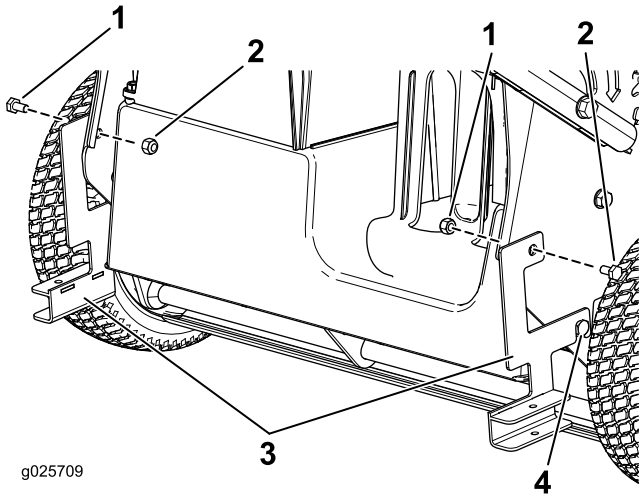


Figure 1

- | | |
|---------|-----------------|
| 1. Bolt | 3. Brackets |
| 2. Nut | 4. Machine bolt |

2. Attach the right-hand bracket to the right side of the mower using a bolt and a nut. Tighten the bolt to 13.5 N-m (10 ft-lbs) (Figure 1).
3. Tighten the bolt you loosened in 1 to 17.6 N-m (13 ft-lbs) (Figure 1).
4. Repeat the above steps for the left side of the machine.
5. Slide the frame into the bracket with the hook facing up and secure the frame to the bracket using 2 spring pins (Figure 2).

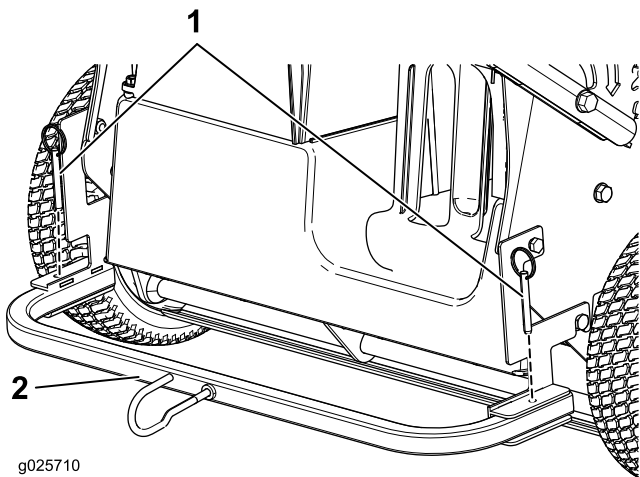


Figure 2

- | | |
|----------------|----------|
| 1. Spring pins | 2. Frame |
|----------------|----------|

6. Using a flat screwdriver, remove the plug from the lawn striper trailer, fill it with approximately 9 kg (20 lb) of sand, and replace the plug (Figure 3).

Note: Dry white play sand works best.

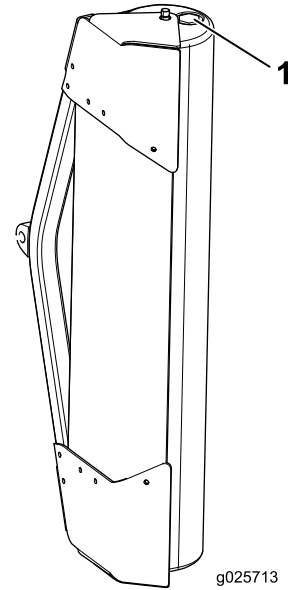


Figure 3

1. Plug

7. Attach the lawn striper trailer to the hook (Figure 4).

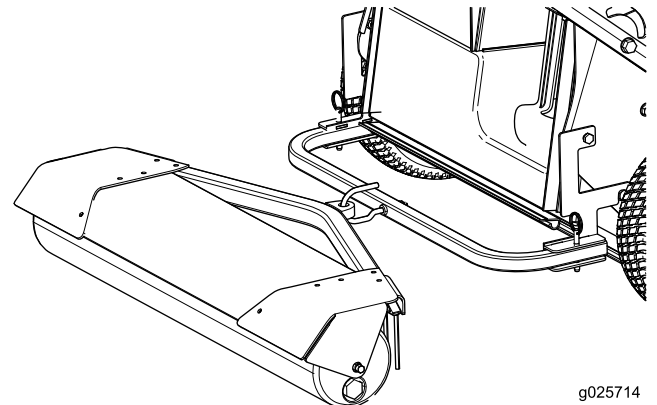


Figure 4

Troubleshooting

Problem	Possible Cause	Corrective Action
The roller does not turn.	<ol style="list-style-type: none"><li data-bbox="586 216 1031 268">1. There is debris stuck in the roller assembly.<li data-bbox="586 310 1031 342">2. The roller plug is not fully tightened.<li data-bbox="586 394 1031 426">3. The roller assembly is not filled.	<ol style="list-style-type: none"><li data-bbox="1063 216 1518 300">1. Turn off the mower and verify/remove any debris (bark, twigs, stones) that are obstructing the roller.<li data-bbox="1063 310 1518 394">2. Check to see that the roller plug is flush with the end cap, and tighten the roller plug fully.<li data-bbox="1063 394 1518 478">3. Make sure the roller assembly is filled with approximately 9 kg (20 lbs) of dry sand.
The patterning effect does not show.	<ol style="list-style-type: none"><li data-bbox="586 495 1031 548">1. The lawn striper is not attached correctly.<li data-bbox="586 558 1031 590">2. The grass is cut too short.<li data-bbox="586 621 1031 653">3. There is a lack of proper sunlight.	<ol style="list-style-type: none"><li data-bbox="1063 495 1518 527">1. Repeat the installation steps.<li data-bbox="1063 558 1518 621">2. Wait for the grass to grow before cutting with the lawn striper attached.<li data-bbox="1063 621 1518 653">3. Partial/full sunlight is optimal.



Count on it.