



Count on it.

Parts Catalog

VR-2650 Rammer Compactor

Model No. 68034—Serial No. 314000001 and Up



Ordering Replacement Parts

To order replacement parts, please supply the part number, the quantity, and the description of each part desired.

Understanding Reference Numbers

Each identified part in an illustration has a reference number. The reference number for a part also appears in the parts list, along with other information about the part.

This catalog uses two special reference number formats, one to indicate parts in a service assembly and another to indicate the quantity of a given part in an illustration.

Service Assembly Reference Numbers

Parts in service assemblies have reference numbers in the form a:b. The a represents the reference number of the entire service assembly and the b represents a sequential number unique to each part within the service assembly.

For example, a wheel assembly might be identified by reference number 6, the tire by 6:1, the valve by 6:2, and the wheel by 6:3. When you order the assembly identified by reference number 6, you receive all parts identified by reference numbers 6:1, 6:2, and 6:3. However, you may also order any part individually. Reference numbers of this type appear in illustration and in parts lists.

Reference Numbers Indicating Quantity

In an illustration, if a reference number indicates more than one part, the reference number has the form nX y. The n represents the quantity of the part, the X is the multiplication symbol, and the y represents the reference number.

For example, in an illustration, the reference number 2X 37 means that two of the parts identified by reference number 37 are indicated.

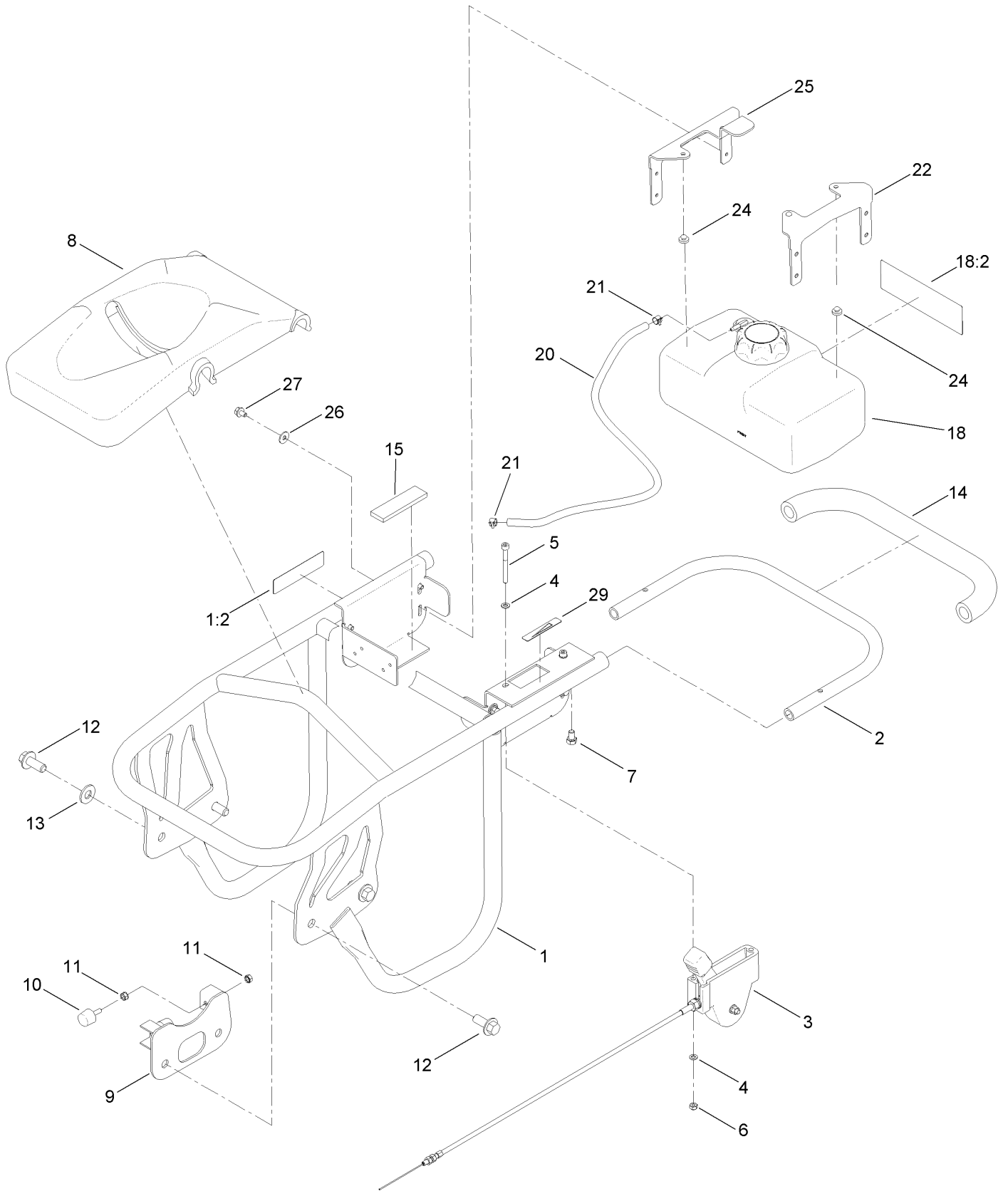
List of Abbreviations

AR: as required	HLH: hex lag head	PTO: power-take-off
ASM: assembly	HOC: height-of-cut	RH: right hand
BBC: blade brake control	HSBH: hex socket button head	ROPS: roll-over protection system
BHTF: button head thread forming	HSFH: hex socket flat head	RRB: rear roller brush
CARR: carriage	HSH: hex socket head	SFH: slotted fillister head
CCW: counter clockwise	HWH: hex washer head	SHH: slotted hex head
CW: clockwise	HWHTF: hex washer head thread forming	SHWH: slotted hex washer head
DEG: degrees	HYD: hydraulic	SPH: slotted pan head
DPA: Dual Point Adjustment	LH: left hand	SQH: square head
ECM: electronic control module	LP: Liquefied Petroleum Gas	SRH: slotted round head
EXT: external	LPG: Liquefied Petroleum Gas	STD: standard
FH: flat head	NI: nylon insert	TAP: self tapping
GA: gauge	NPTF: national pipe thread fine	TTH: torx truss head
HD: heavy-duty	PFH: phillips flat head	
HF: hex flange	PPH: phillips pan head	
HH: hex head	PPHTF: phillips pan head thread forming	
HHF: hex head flange	PRH: phillips round head	
HHFTF: hex head flange thread forming	PTH: phillips truss head	
HJ: hex jam		

Contents

Frame, Handle and Fuel Tank Assembly	4
Engine and Air Filter Assembly	6
Lower Unit Assembly	8
Rammer Assembly	10

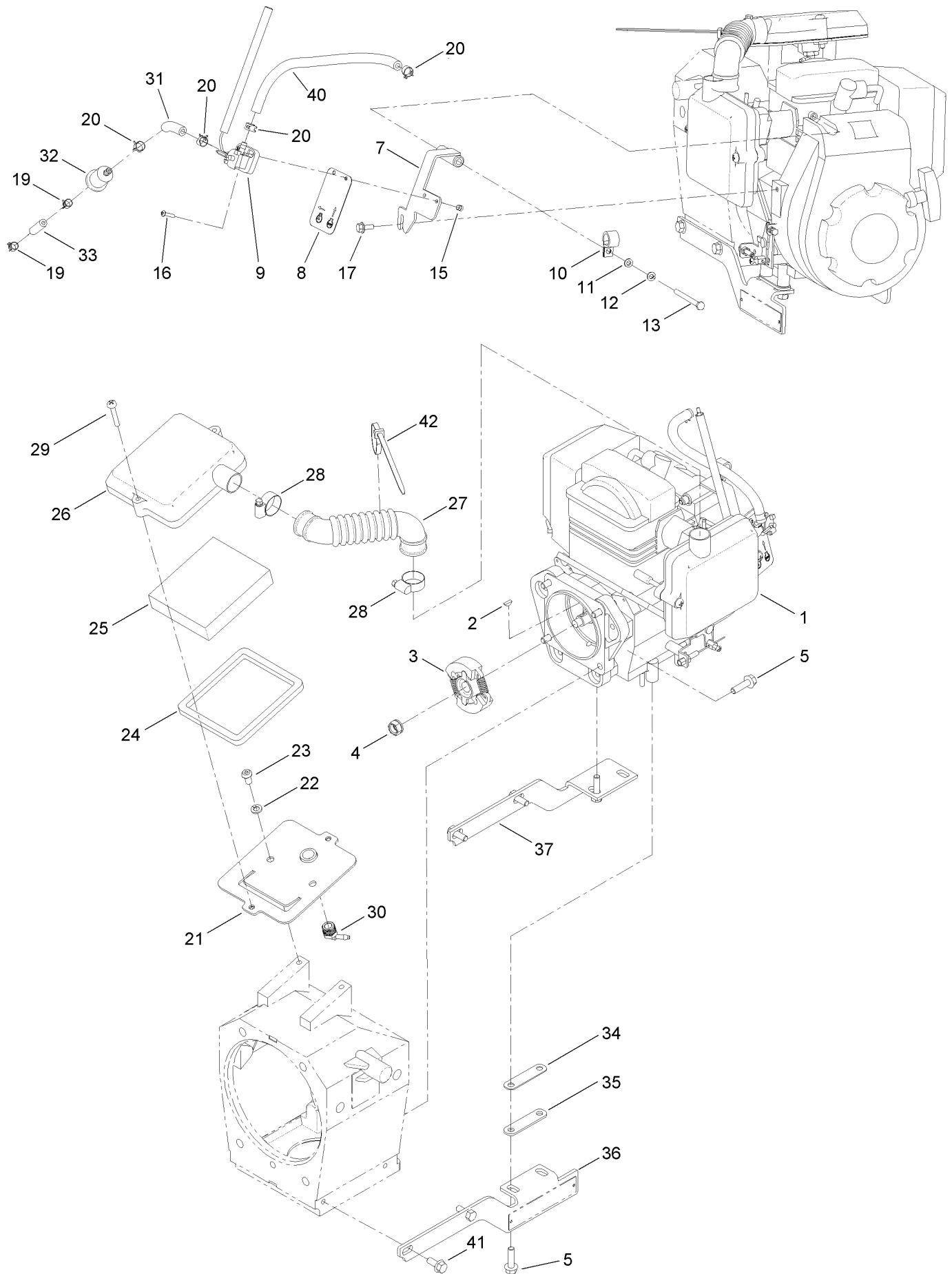
Frame, Handle and Fuel Tank Assembly



Frame, Handle and Fuel Tank Assembly (continued)

<i>Ref.</i>	<i>Part Number</i>	<i>Qty.</i>	<i>Description</i>	<i>Ref.</i>	<i>Part Number</i>	<i>Qty.</i>	<i>Description</i>
1	127-2830	1	Handle ASM	13	29-8910	2	Washer
1:2	117-2718	1	Decal-Arrester, Spark	14	ST39483	1	Grip-Cushion, Handle
2	127-5596-03	1	Handle-Rammer	15	125-6239	2	Pad-Tank, Fuel
3	125-8669	1	Throttle Lever ASM	18	127-7574	1	1 Gallon Fuel Tank ASM
4	33093-00	4	Washer-Flat	18:2	125-8191	1	Decal-Warning
5	ST80940	2	Screw-HSH	20	120-5022	1	Hose-Fuel
6	115-7373	2	Nut-Lock	21	2412-80	2	Clamp-Hose
7	ST80586	2	Screw-HWH	22	ST66668-03	1	Bracket-Top, Fuel Tank
8	125-4803	1	Cover-Engine	24	ST47292	4	Bumper-Rubber
9	ST39424-03	1	Stopper	25	127-7556-03	1	Guard-Fuel Tank, Top
10	ST39427	2	Mount-Shock	26	ST81181	8	Washer-Flat
11	98-5845	4	Nut-Hex	27	81-1280	8	Screw-HHF
12	33106-020	4	Screw-HHF	29	125-8182	1	Decal-Throttle

Engine and Air Filter Assembly

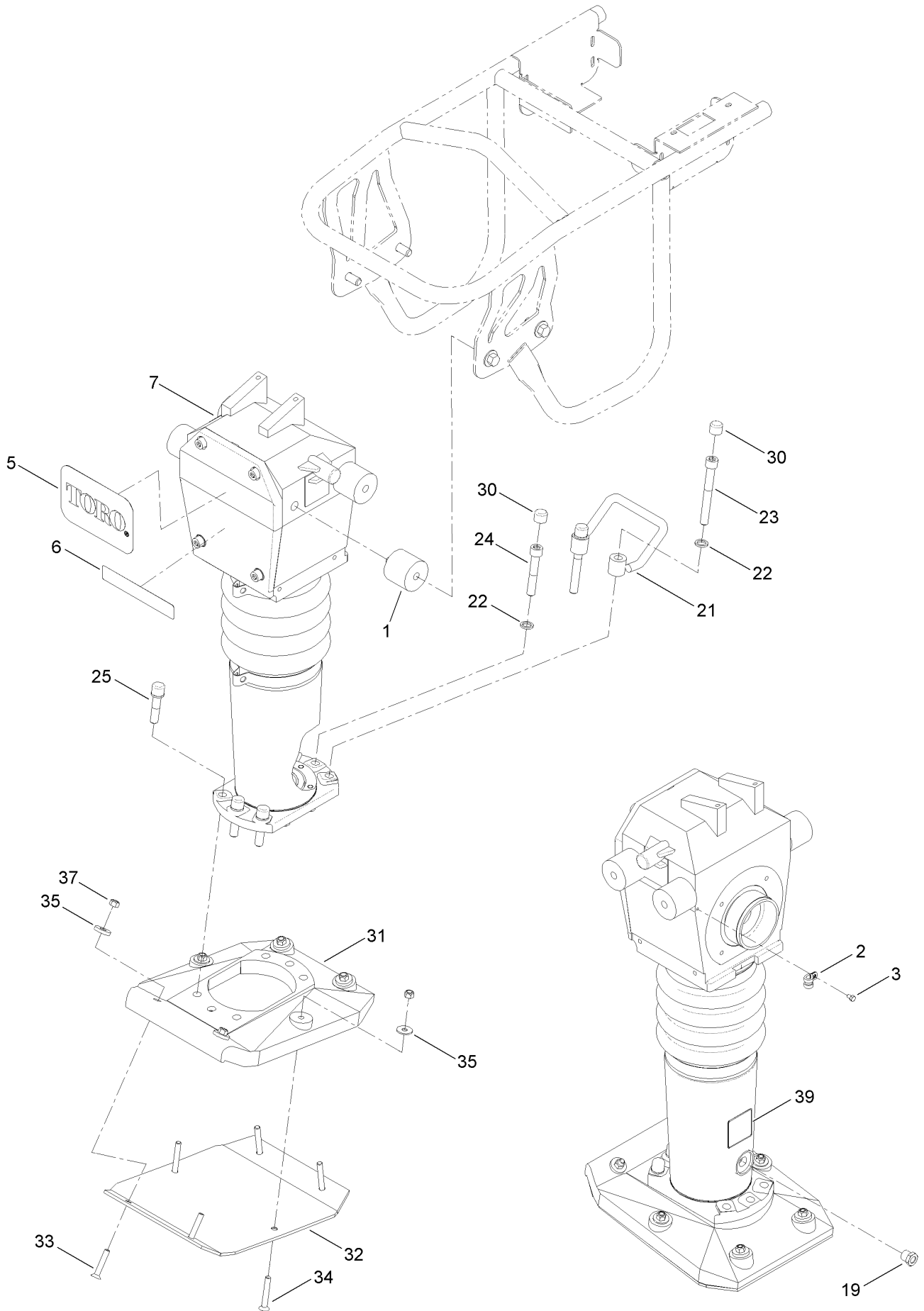


Engine and Air Filter Assembly (continued)

<i>Ref.</i>	<i>Part Number</i>	<i>Qty.</i>	<i>Description</i>	<i>Ref.</i>	<i>Part Number</i>	<i>Qty.</i>	<i>Description</i>
1	125-4818	1	Engine-Honda, Gx100 ●	23	ST81188	2	Screw-HSBH
2	ST32525	1	Key-Woodruff	24	ST32516	1	Gasket-Prefilter
3	ST30291	1	Clutch-Friction	25	ST32517	1	Filter-Air, Prefilter
4	ST32524	1	Nut-Hex Flange	26	ST32518	1	Cover-Air Filter
5	33104-030	8	Screw-HHF	27	ST32515	1	Tube-Air
7	127-7548	1	Bracket-Fuel Valve	28	ST32519	2	Clamp-Worm
8	125-4966	1	Hang Tag-Run, Stop	29	ST32526	2	Screw-PPH
9	ST58582	1	Fuel Shut Off Valve ASM	30	127-7537	1	Fitting-90 DEG
10	2412-87	1	Clamp-Cable	31	99-9415	1	Hose-Fuel
11	33093-00	1	Washer-Flat	32	ST31231	1	Filter-Fuel
12	43-5930	1	Washer-Lock, Spring	33	119-8561	1	Hose-Fuel
13	ST81354	1	Screw-HH	34	ST50255-03	2	Shim-Engine (16GA)
15	46-0430	2	Nut-Lock	35	ST50256-03	2	Shim-Engine (11GA)
16	119-7444	2	Screw-HSBH	36	127-1697-03	1	Bracket-Support, LH
17	33113-016	1	Screw-HH	37	ST50195-03	1	Bracket-Support, RH
19	2412-80	2	Clamp-Hose	40	109-0297	1	Hose-Fuel
20	2412-98	4	Clamp-Hose	41	33104-020	4	Screw-HHF
21	ST50187-03	1	Base-Prefilter	42	1-303335	1	Tie-Plastic
22	ST80812	2	Washer-Lock				

● Obtain parts from www.honda-engines.com

Lower Unit Assembly

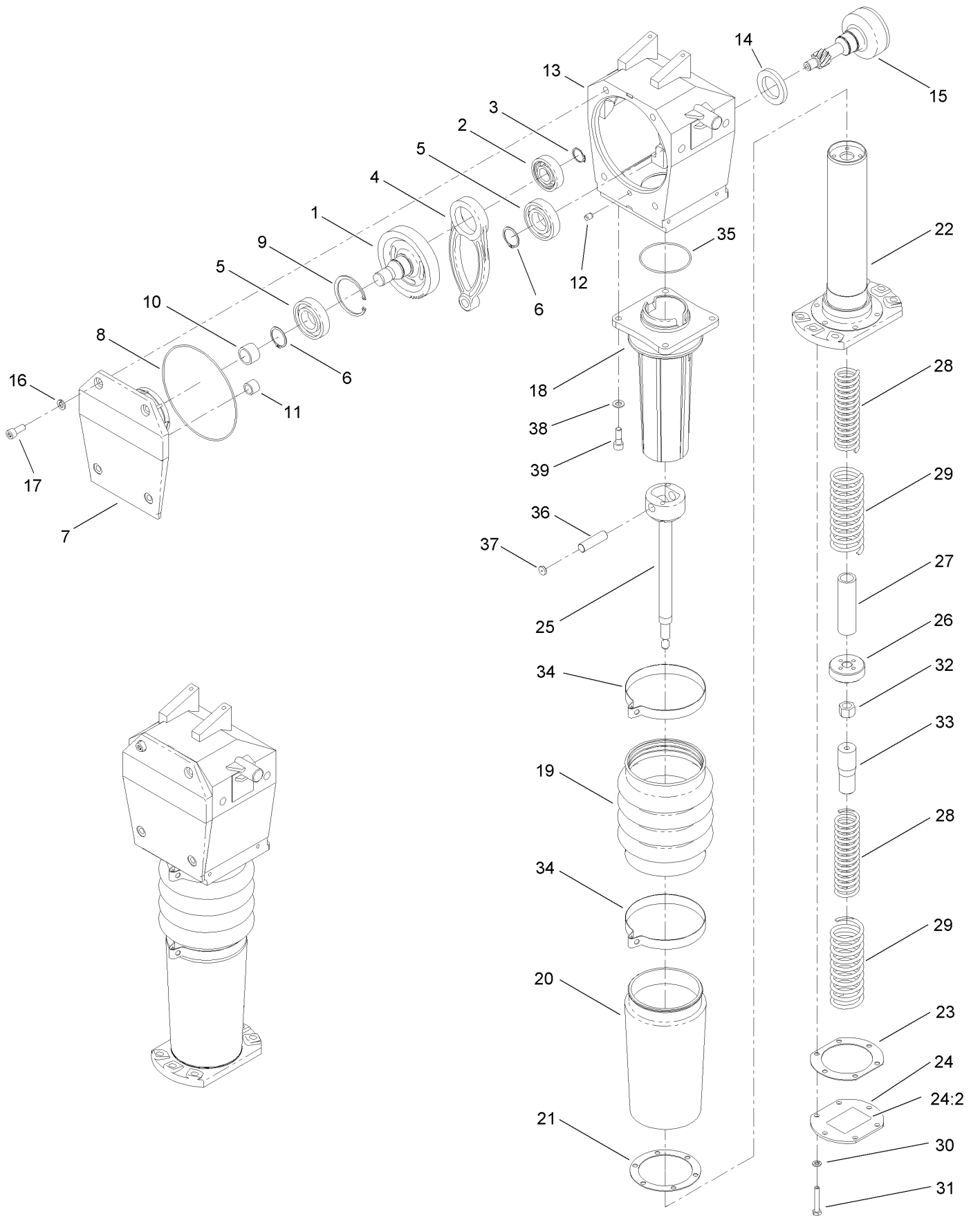


Lower Unit Assembly (continued)

<i>Ref.</i>	<i>Part Number</i>	<i>Qty.</i>	<i>Description</i>	<i>Ref.</i>	<i>Part Number</i>	<i>Qty.</i>	<i>Description</i>
1	ST39425	4	Mount-Shock	24	ST80945	1	Screw-HSH
2	ST39509	1	Clamp	25	ST80822	3	Screw-HSH
3	ST81043	1	Screw-HH	30	ST80765	6	Cap-Plastic
5	127-7590	1	Decal	31	ST39371	1	Shoe-Plastic, Light
6	127-7591	1	Decal	32	ST39400-03	1	Plate-Shoe
7		1	Rammer ASM ●	33	ST80949	2	Screw
19	ST34096	1	Plug-Sight, Oil	34	ST80948	4	Screw-HSFH
21	ST39405-03	1	Grip-Lifting	35	ST80813	6	Washer-Flat
22	ST81196	6	Washer-Lock	37	33024-00	6	Nut-Lock, NI
23	ST80943	2	Screw-HSH	39	127-7595	1	Decal-Oil Level

● Not serviced separately

Rammer Assembly



Rammer Assembly (continued)

<i>Ref.</i>	<i>Part Number</i>	<i>Qty.</i>	<i>Description</i>	<i>Ref.</i>	<i>Part Number</i>	<i>Qty.</i>	<i>Description</i>
1	ST39379	1	Gear-Helical	22	125-8668	1	Housing-Spring
2	ST39429	1	Bearing-Ball	23	ST39390	1	Gasket-Cover, Spring
3	ST39432	1	Ring-External	24	127-2831	1	Bottom Spring Cover ASM
4	ST50302	1	Rod-Connecting	24:2	125-8181	1	Decal-Warning, Spring
5	ST39428	2	Bearing-Ball	25	ST39381	1	Rod-Piston
6	32120-84	2	Ring-Snap, External	26	ST39389	1	Puck-Piston
7	ST50294	1	Cover-Front	27	ST39384	1	Snubber-Axial, Top
8	ST39437	1	O-Ring	28	ST39382	2	Spring-Compression, Inner
9	ST50539	1	Ring-Internal	29	ST39383	2	Spring-Compression, Outer
10	ST39430	1	Bearing-Needle	30	ST80812	6	Washer-Lock
11	ST39431	1	Bearing-Needle	31	33114-050	6	Screw-HH
12	ST80543	1	Pin	32	33028-00	1	Nut-Lock, NI
13	ST50193	1	Gearcase	33	ST39385	1	Snubber-Axial, Lower
14	ST39435	1	Seal-Shaft	34	ST39439	2	Clamp-Boot, Stomper
15	ST50192	1	Pinion	35	ST39438	1	O-Ring
16	42-9600	4	Washer-Lock, Spring	36	ST39436	1	Pin
17	ST80803	4	Screw-HSH	37	ST39401	2	Button-Pin, Captivator
18	ST39374	1	Guide-Tube	38	33095-00	4	Washer-Flat
19	ST39372	1	Boot-Awack	39	ST80872	4	Screw-HSH
20	ST39377	1	Cover-Housing, Spring				
21	ST39399	1	Gasket-Housing, Spring Cover				



Count on it.