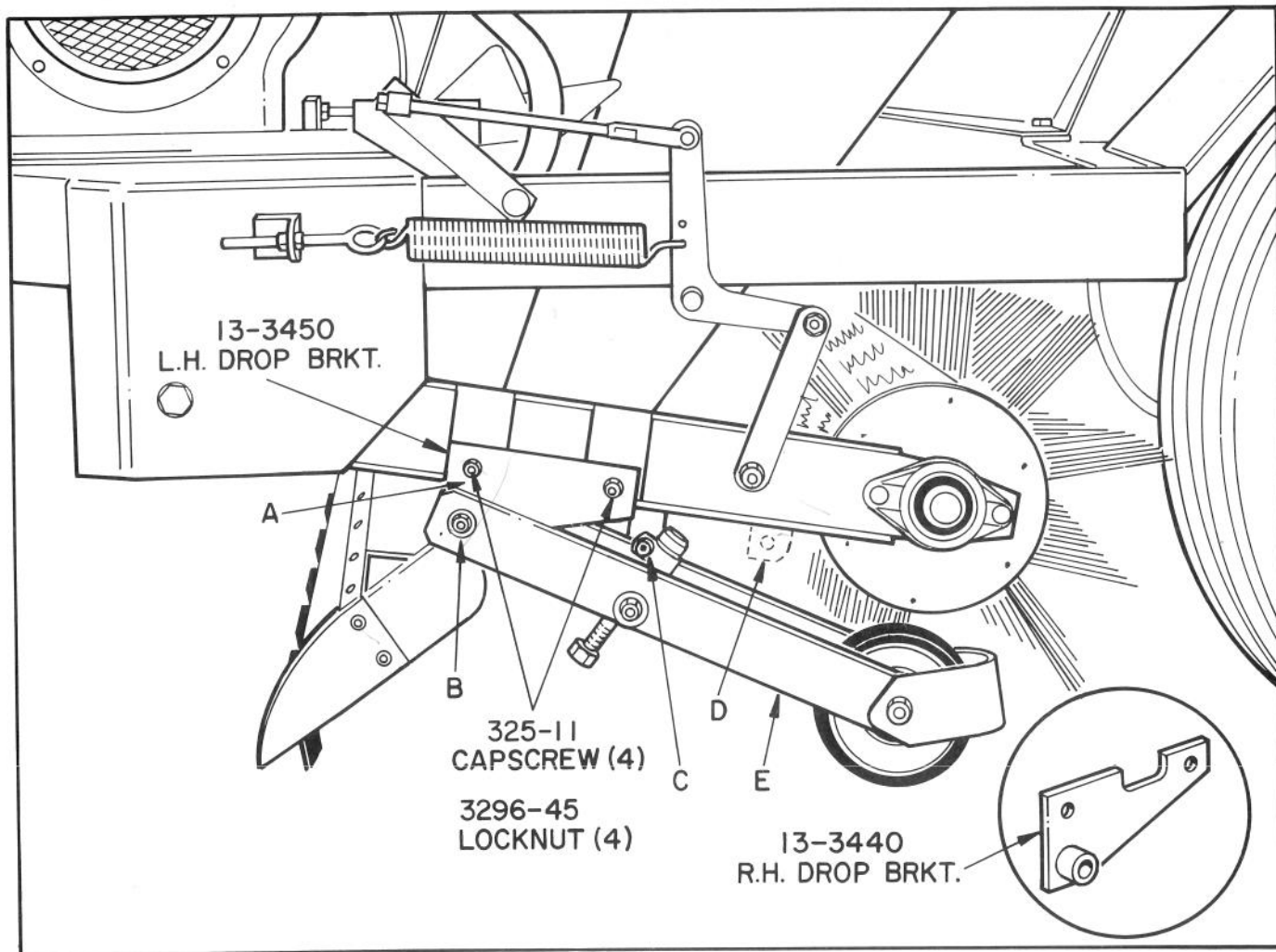


TORO

MODEL NO. 13-3540

ASSEMBLY INSTRUCTIONS

GAUGE WHEEL THATCHER ADJUSTMENT KIT For 66" Sweeper (Rake-O-Vac)



TO INSTALL THATCHER KIT, PROCEED AS FOLLOWS:

1. Remove gauge wheel arm (Fig. E) at both top pivot (Fig. A) and adjustment pivot (Fig. C).
2. Bolt drop bracket (13-3450) into place using the cap screws (325-11) and locknuts (3296-45) provided.

NOTE: Kit contains right-hand (13-3440) and left-hand (13-3450) drop brackets. Refer to illustration for correct assembly procedure.

3. Cut off the rear adjustment tab (Fig. D) from reel support arm.

4. Reassemble gauge wheel arm (Fig. E) into lower hole position (Fig. B). Connect adjustment pivot bolt (Fig. C) and tighten all bolts.

NOTE: Gauge Wheel is now permanently mounted in a forward position with sufficient amount of adjustment variation for both Flextip and Thatcher reels.

5. Adjust height-of-gauge wheel accordingly.

NOTE: Thatcher Kit installation instructions are the same for both sides of sweeper.

