



Count on it.

Parts Catalog

CM-958H-P Concrete Mixer

Model No. 68009—Serial No. 314000001 and Up



Ordering Replacement Parts

To order replacement parts, please supply the part number, the quantity, and the description of each part desired.

Understanding Reference Numbers

Each identified part in an illustration has a reference number. The reference number for a part also appears in the parts list, along with other information about the part.

This catalog uses two special reference number formats, one to indicate parts in a service assembly and another to indicate the quantity of a given part in an illustration.

Service Assembly Reference Numbers

Parts in service assemblies have reference numbers in the form a:b. The a represents the reference number of the entire service assembly and the b represents a sequential number unique to each part within the service assembly.

For example, a wheel assembly might be identified by reference number 6, the tire by 6:1, the valve by 6:2, and the wheel by 6:3. When you order the assembly identified by reference number 6, you receive all parts identified by reference numbers 6:1, 6:2, and 6:3. However, you may also order any part individually. Reference numbers of this type appear in illustration and in parts lists.

Reference Numbers Indicating Quantity

In an illustration, if a reference number indicates more than one part, the reference number has the form nX y. The n represents the quantity of the part, the X is the multiplication symbol, and the y represents the reference number.

For example, in an illustration, the reference number 2X 37 means that two of the parts identified by reference number 37 are indicated.

List of Abbreviations

AR: as required

ASM: assembly

BBC: blade brake control

BHTF: button head thread forming

CARR: carriage

CCW: counter clockwise

CW: clockwise

DEG: degrees

DPA: Dual Point Adjustment

ECM: electronic control module

EXT: external

FH: flat head

GA: gauge

HD: heavy-duty

HF: hex flange

HH: hex head

HHF: hex head flange

HHFTF: hex head flange thread forming

HJ: hex jam

HLH: hex lag head

HOC: height-of-cut

HP: high pressure

HSBH: hex socket button head

HSFH: hex socket flat head

HSH: hex socket head

HWH: hex washer head

HWHTF: hex washer head thread forming

HYD: hydraulic

LH: left hand

LP: low pressure

LPG: Liquefied Petroleum Gas

NI: nylon insert

NPTF: national pipe thread fine

PFH: phillips flat head

PPH: phillips pan head

PPHTF: phillips pan head thread forming

PRH: phillips round head

PTH: phillips truss head

PTO: power-take-off

RH: right hand

ROPS: roll-over protection system

RRB: rear roller brush

SFH: slotted fillister head

SHH: slotted hex head

SHWH: slotted hex washer head

SPH: slotted pan head

SQH: square head

SRH: slotted round head

STD: standard

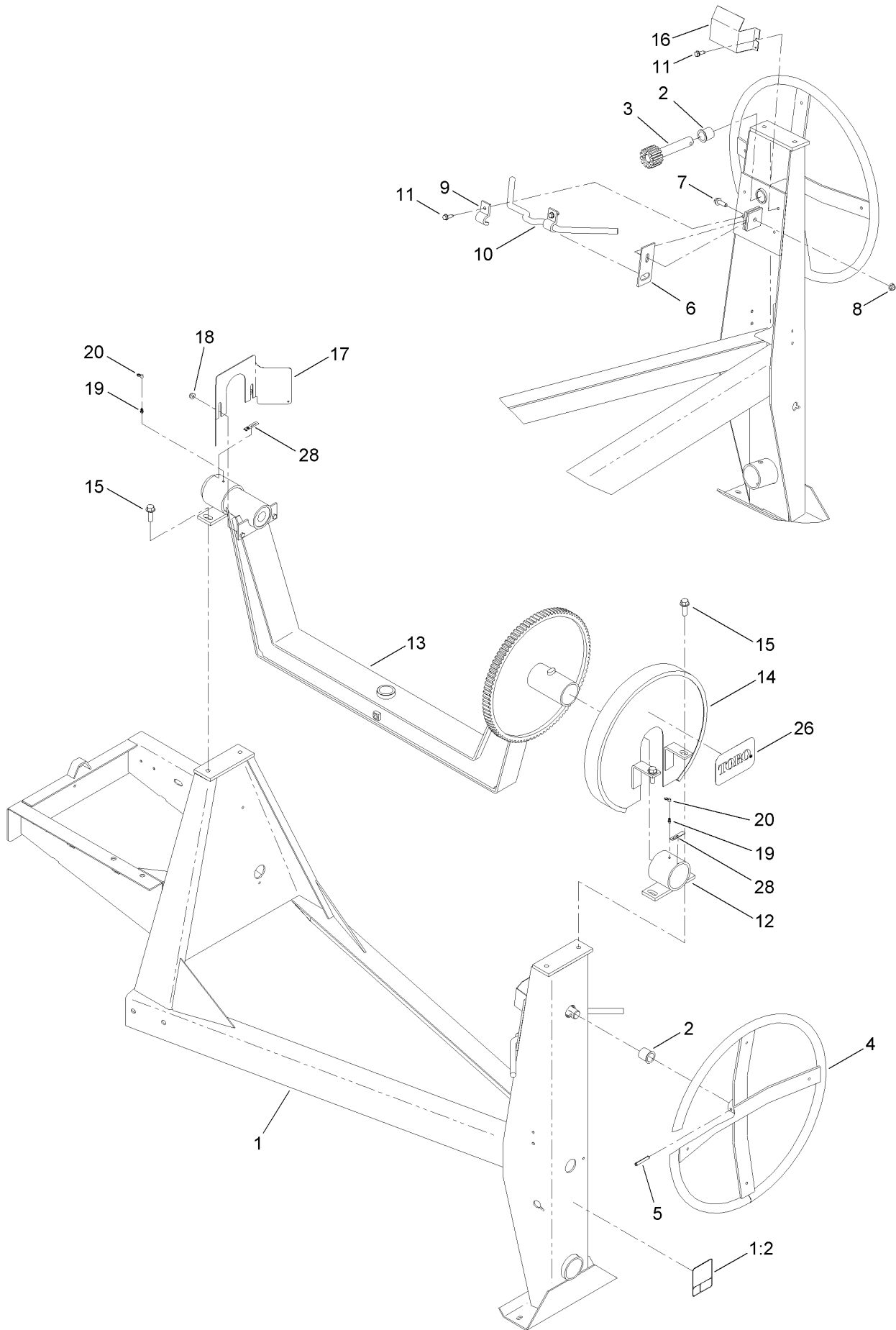
TAP: self tapping

TTH: torx truss head

Contents

Frame and Yoke Assembly	4
Axle Assembly	6
Hub Assembly No. 125-8171	8
Engine and Belt Assembly	10
Drum Assembly	12
Cowl Assembly	14
Attachments and Accessories	16

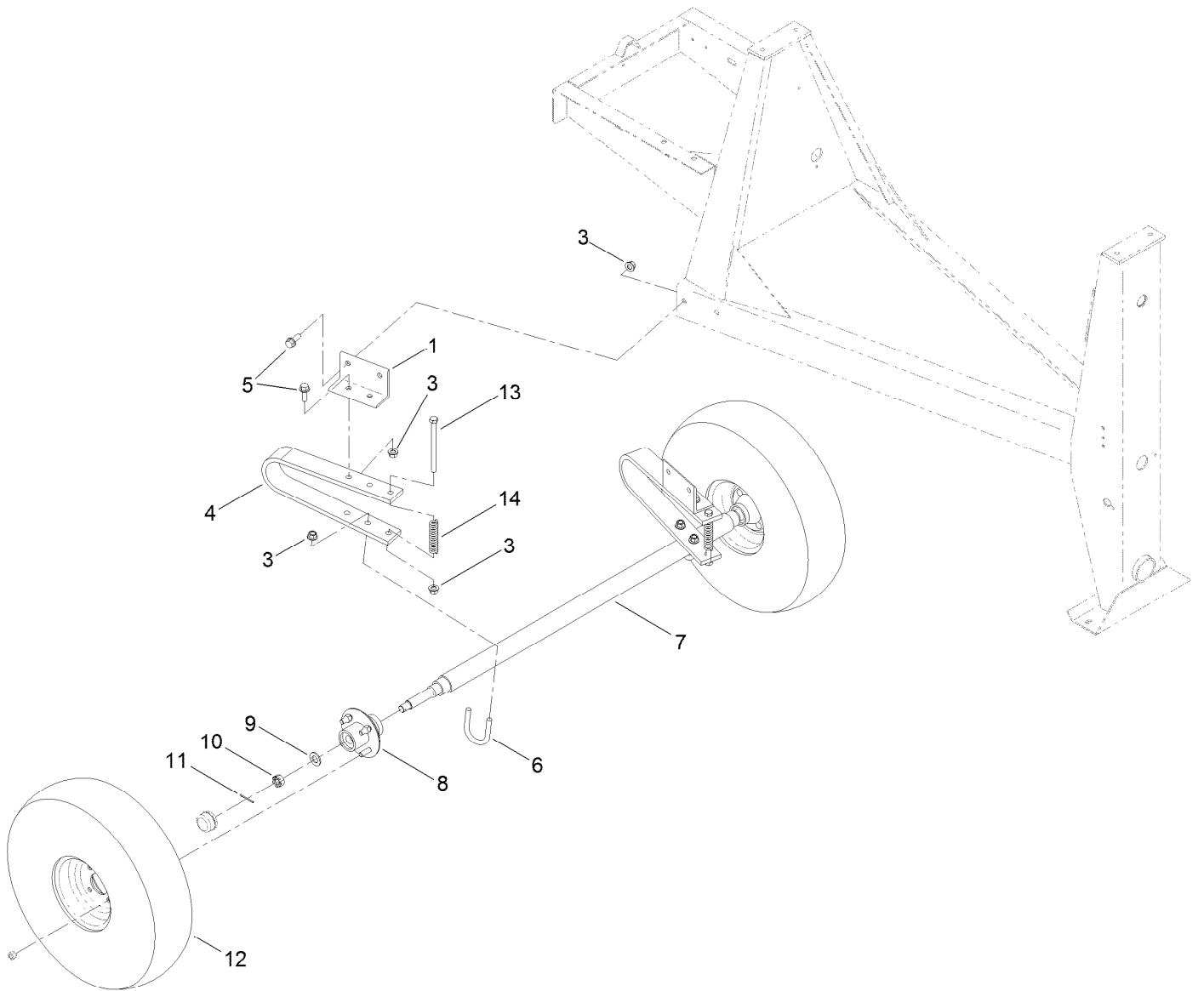
Frame and Yoke Assembly



Frame and Yoke Assembly (continued)

<i>Ref.</i>	<i>Part Number</i>	<i>Qty.</i>	<i>Description</i>	<i>Ref.</i>	<i>Part Number</i>	<i>Qty.</i>	<i>Description</i>
1	127-2814	1	Frame ASM	12	ST24349-03	2	Trunnion
1:2	125-8216	1	Decal-Safety Chain, Towing	13	125-6308	1	Yoke ASM
2	ST32032	2	Bushing-Nylon	14	ST27617-03	1	Guard-Brake, Upper
3	ST22029	1	Shaft-Tilt	15	ST80031	4	Screw-HWH
4	ST22096-03	1	Handwheel	16	ST27618-03	1	Guard-Brake, Lower
5	32121-27	1	Pin-Roll	17	ST27144-03	1	Guard-Pinion
6	ST27619-03	1	Dog-Brake	18	104-8300	2	Nut-Flange, NI
7	3234-24	1	Screw-HHF	19	ST46042	2	Fitting-Grease
8	104-8301	1	Nut-Flange, NI	20	ST47001	2	Cap-Plug
9	ST27559-03	2	Bracket-Handle	26	99-4693	1	Decal
10	ST27621	1	Handle-Brake	28	125-8175	2	Decal-Grease
11	701243	4	Screw-HWHTF				

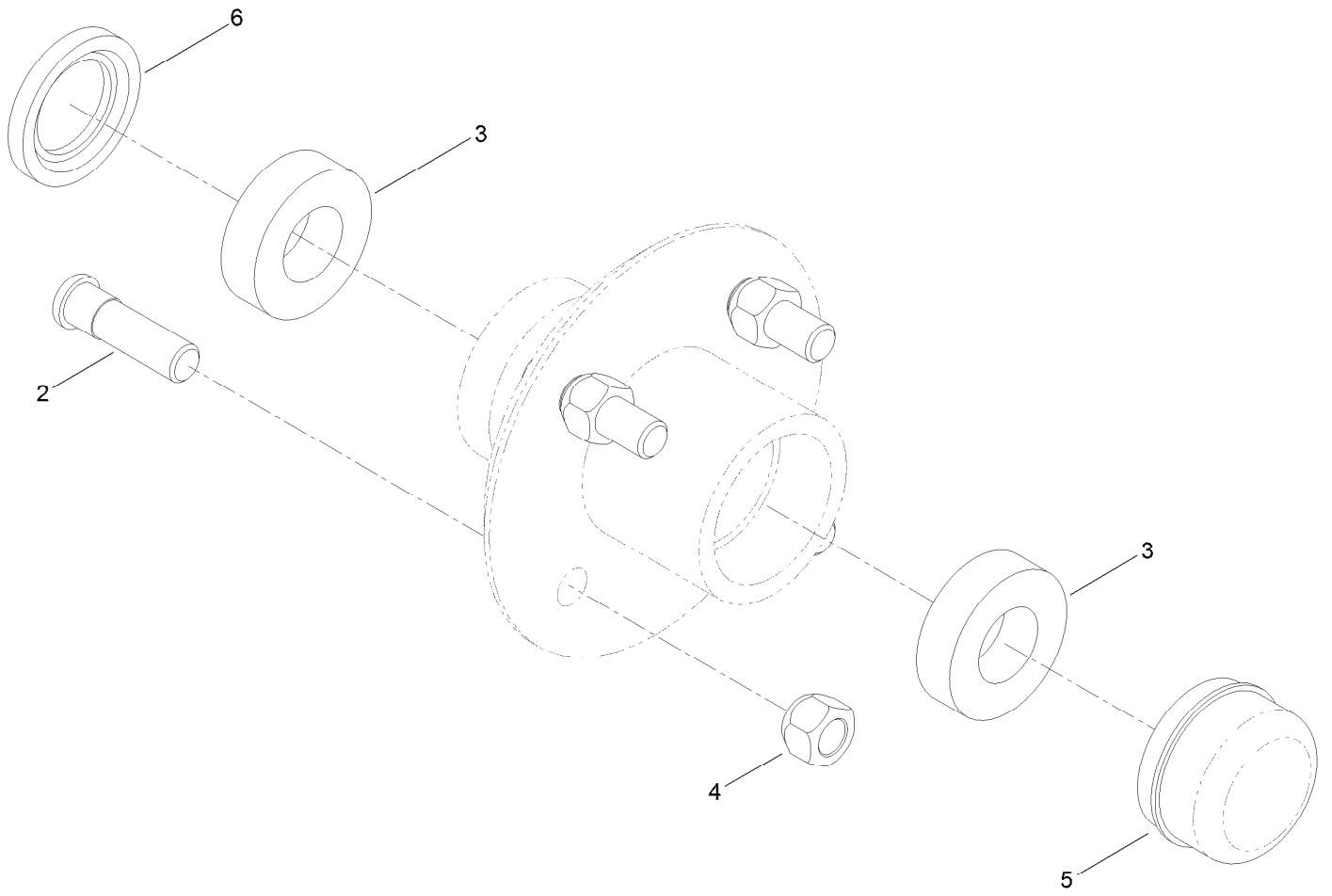
Axle Assembly



Axle Assembly (continued)

<i>Ref.</i>	<i>Part Number</i>	<i>Qty.</i>	<i>Description</i>	<i>Ref.</i>	<i>Part Number</i>	<i>Qty.</i>	<i>Description</i>
1	ST26949-03	2	Bracket-Axle, Spring	9	3256-28	2	Washer-Flat
3	99-5107	14	Nut-Lock	10	ST80054	2	Nut
4	ST26971	2	Spring-Leaf	11	3272-13	2	Pin-Cotter
5	100-6116	8	Screw-HHF	12	ST32307	2	Tire And Rim ASM
6	ST26195	2	Bolt-U	13	325-33	2	Screw-HH
7	ST21460-03	1	Axle-Spring	14	ST34972	2	Spring-Coil
8	125-8171	2	Hub ASM				

Hub Assembly No. 125-8171

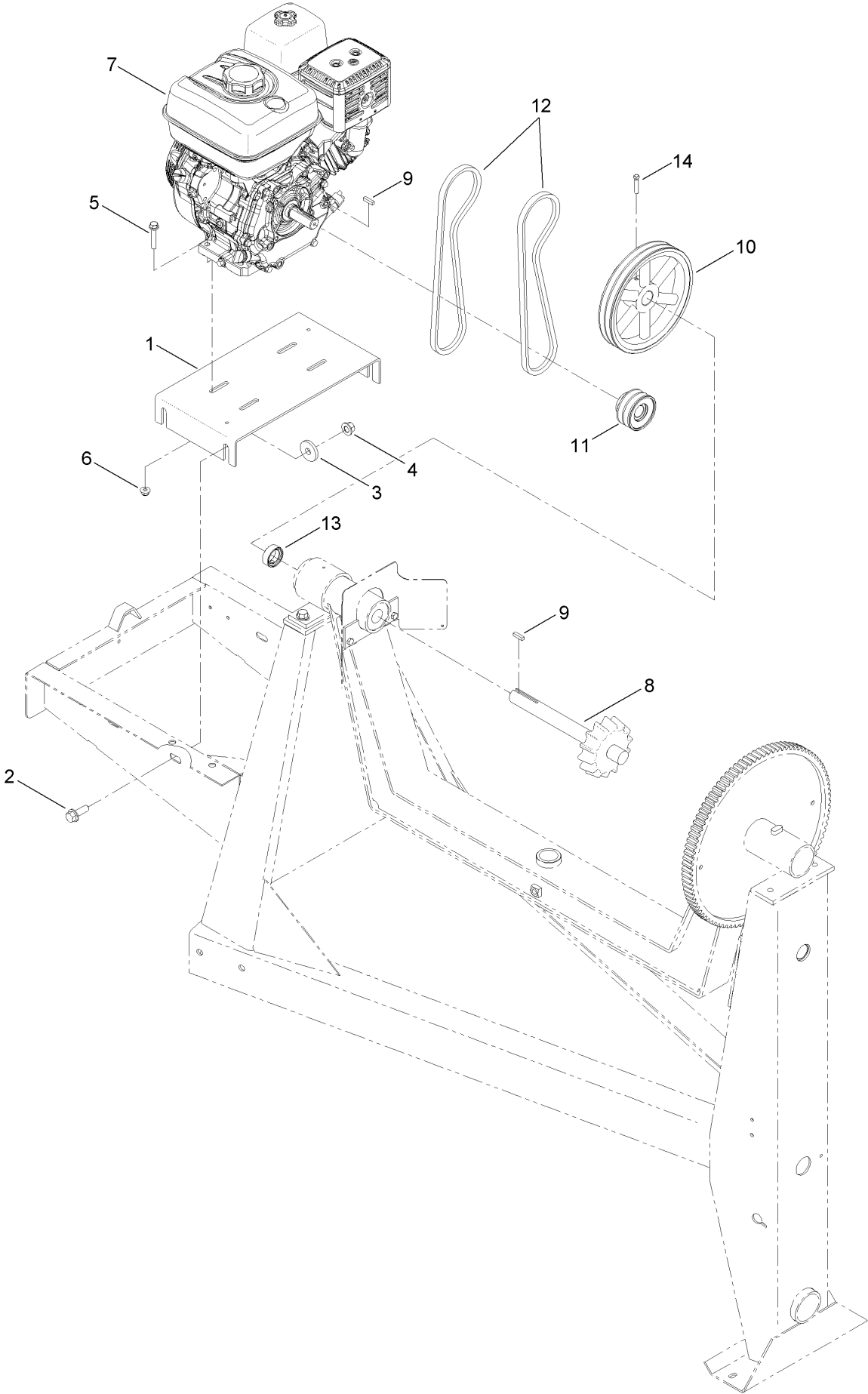


Hub Assembly No. 125-8171 (continued)

<i>Ref.</i>	<i>Part Number</i>	<i>Qty.</i>	<i>Description</i>
2	ST39190	4	Stud-Wheel
3	ST32233	2	Bearing-Roller
4	ST80045	4	Nut-Lug

<i>Ref.</i>	<i>Part Number</i>	<i>Qty.</i>	<i>Description</i>
5	ST34573	1	Cap-Dust
6	ST32052	1	Seal-Hub, Wheel

Engine and Belt Assembly

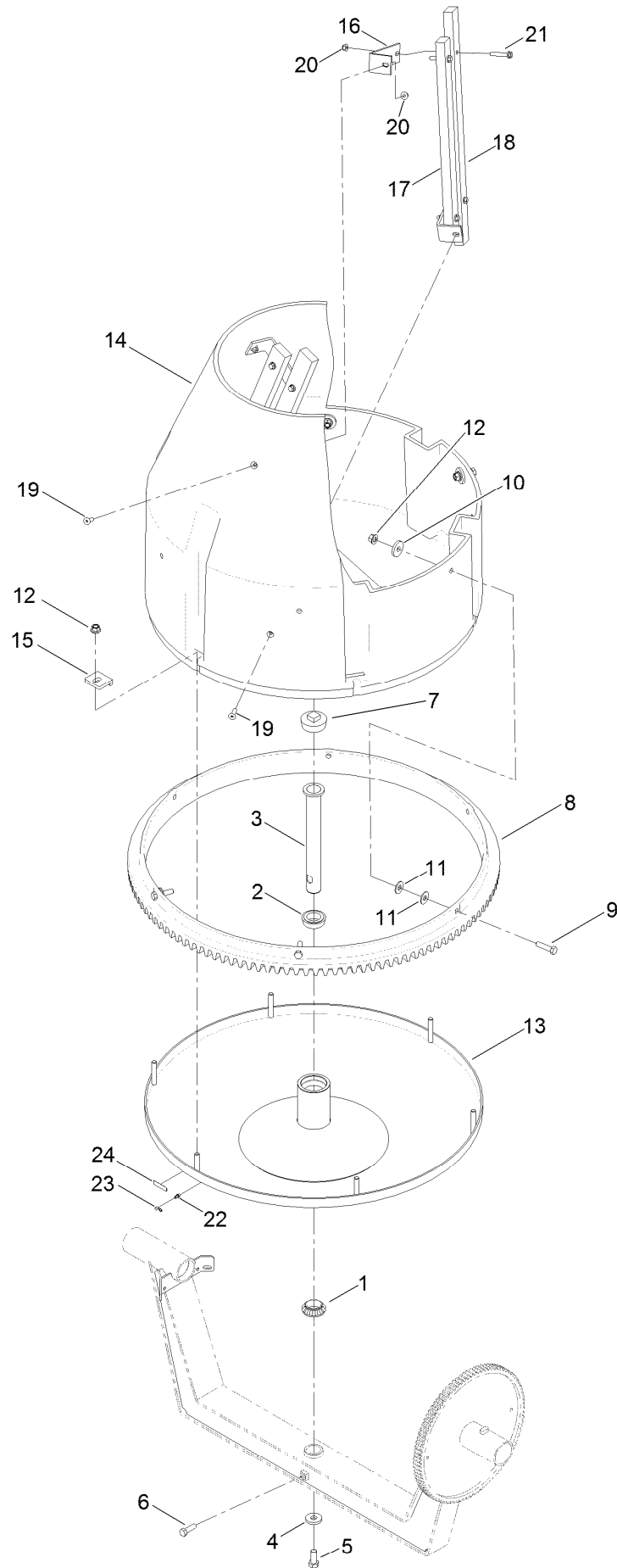


Engine and Belt Assembly (continued)

<i>Ref.</i>	<i>Part Number</i>	<i>Qty.</i>	<i>Description</i>	<i>Ref.</i>	<i>Part Number</i>	<i>Qty.</i>	<i>Description</i>
1	127-7579-03	1	Base-Engine, 95Cm	8	ST21487	1	Shaft-Drive
2	100-6116	4	Screw-HHF	9	5-7280	2	Key
3	ST26326	4	Washer-Flat	10	ST34986-03	1	Sheave
4	99-5107	4	Nut-Lock	11	ST34984	1	Sheave
5	108-3742	4	Screw-HHF	12	127-0075	2	Belt-V
6	104-8301	4	Nut-Flange, NI	13	ST32176	1	Collar-Locking
7	125-4812	1	Engine-Honda, Gx240 ●	14	909546	2	Screw-Set

● Obtain parts from www.honda-engines.com

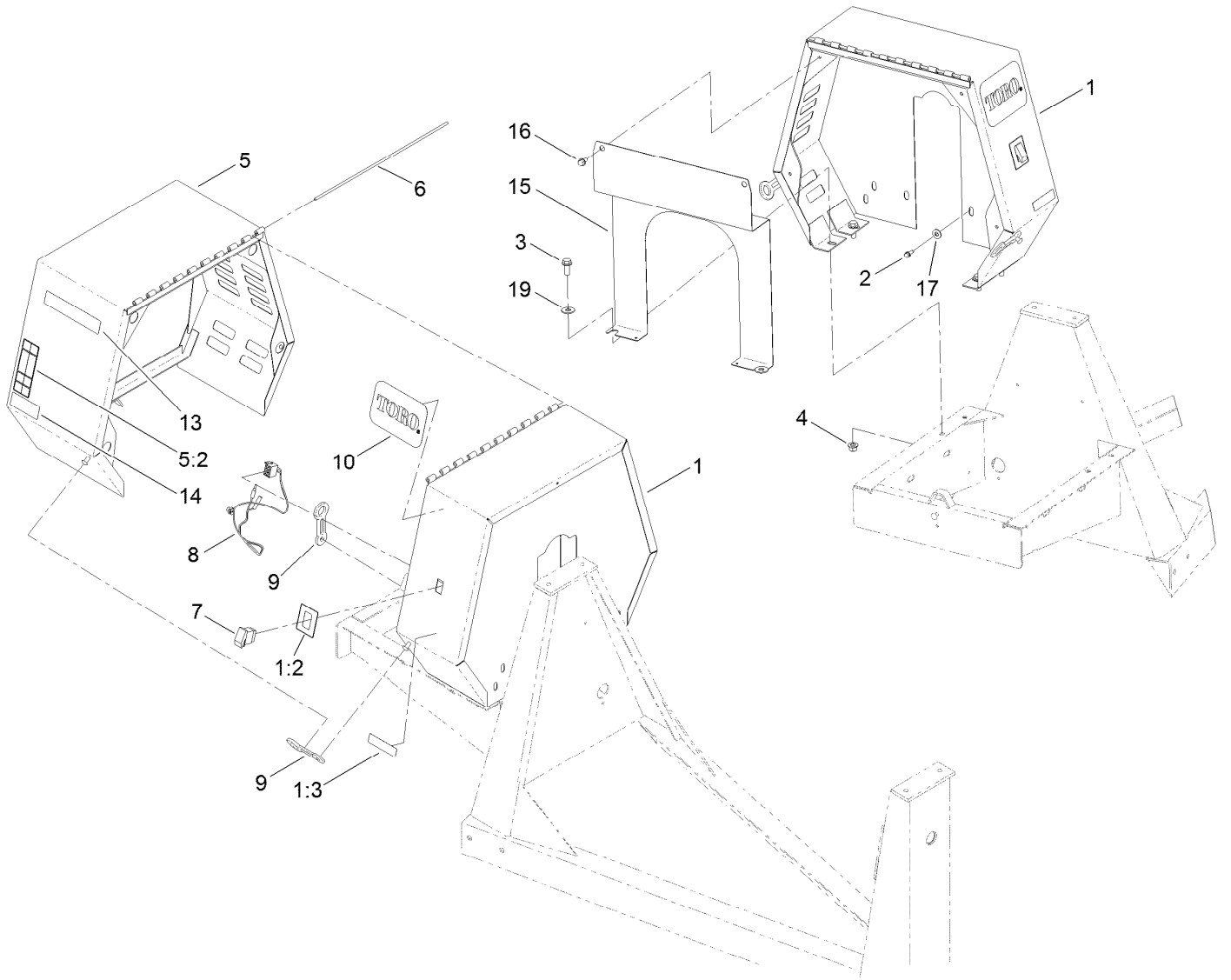
Drum Assembly



Drum Assembly (continued)

<i>Ref.</i>	<i>Part Number</i>	<i>Qty.</i>	<i>Description</i>	<i>Ref.</i>	<i>Part Number</i>	<i>Qty.</i>	<i>Description</i>
1	ST32161	1	Bearing-Roller	13	125-8170-01	1	Dish
2	ST32086	1	Bearing	14	131-2908	1	Drum
3	ST27267	1	Spindle	15	ST42781-01	6	Clamp-Drum
4	ST27413	1	Washer-Flat	16	ST42810-01	6	Bracket-Paddle
5	327-4	1	Screw-HH	17	ST47341	3	Paddle
6	325-6	1	Screw-HH	18	ST47342	3	Paddle
7	ST46022	1	Plug	19	99-8051	6	Screw-HSFH
8	ST26317-01	1	Gear-Ring	20	104-8301	18	Nut-Flange, NI
9	325-8	6	Screw-HH	21	108-3742	12	Screw-HHF
10	ST26326	6	Washer-Flat	22	ST46057	1	Fitting
11	3256-6	12	Washer-Flat	23	ST47001	1	Cap-Plug
12	99-5107	6	Nut-Lock	24	125-8175	1	Decal-Grease

Cowl Assembly



Cowl Assembly (continued)

<i>Ref.</i>	<i>Part Number</i>	<i>Qty.</i>	<i>Description</i>	<i>Ref.</i>	<i>Part Number</i>	<i>Qty.</i>	<i>Description</i>
1	127-2811	1	Stationary Cowl ASM	8	125-4877	1	Harness-Wire, Mixer
1:2	125-4940	1	Decal-Stop, Engine	9	ST47182	3	Latch-Rubber
1:3	117-2718	1	Decal-Arrester, Spark	10	67-7320	2	Decal
2	701243	2	Screw-HWHTF	13	125-4937	2	Decal
3	3234-38	4	Screw-HHF	14	125-4942	1	Decal
4	99-5107	4	Nut-Lock	15	125-8218-03	1	Plate-Engine
5	127-1685	1	Movable Cowl ASM	16	110-9380	2	Screw-HWH
5:2	125-4939	1	Decal-Warning	17	3256-4	2	Washer-Flat
6	ST44368	1	Pin	19	3256-6	2	Washer-Flat
7	95-8999	1	Switch				

Attachments and Accessories

For 68009 CM-958H-P Concrete Mixer

Product Name	Model/Part
31in Forged Tow Pole Hitch	68056
31in Pintel Tow Pole Hitch	68058
31in Stamped Tow Pole Hitch	68060
Trailer Light Kit.....	68062

Notes:

Notes:

Notes:



Count on it.