



Count on it.

Parts Catalog

CM-1258Y-SD Concrete Mixer

Model No. 68011—Serial No. 314000001 and Up



Ordering Replacement Parts

To order replacement parts, please supply the part number, the quantity, and the description of each part desired.

Understanding Reference Numbers

Each identified part in an illustration has a reference number. The reference number for a part also appears in the parts list, along with other information about the part.

This catalog uses two special reference number formats, one to indicate parts in a service assembly and another to indicate the quantity of a given part in an illustration.

Service Assembly Reference Numbers

Parts in service assemblies have reference numbers in the form a:b. The a represents the reference number of the entire service assembly and the b represents a sequential number unique to each part within the service assembly.

For example, a wheel assembly might be identified by reference number 6, the tire by 6:1, the valve by 6:2, and the wheel by 6:3. When you order the assembly identified by reference number 6, you receive all parts identified by reference numbers 6:1, 6:2, and 6:3. However, you may also order any part individually. Reference numbers of this type appear in illustration and in parts lists.

Reference Numbers Indicating Quantity

In an illustration, if a reference number indicates more than one part, the reference number has the form nX y. The n represents the quantity of the part, the X is the multiplication symbol, and the y represents the reference number.

For example, in an illustration, the reference number 2X 37 means that two of the parts identified by reference number 37 are indicated.

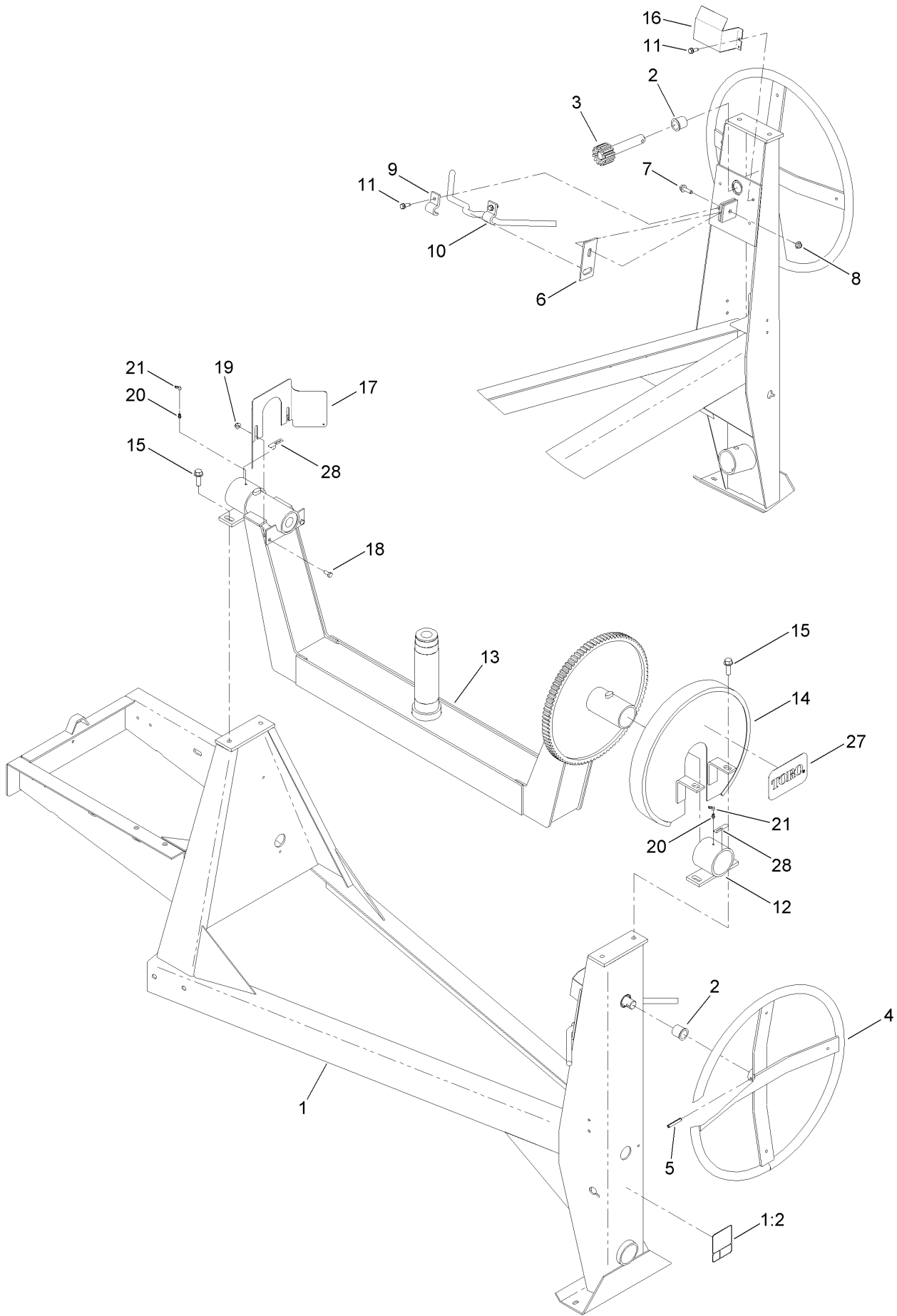
List of Abbreviations

AR: as required	HLH: hex lag head	PTO: power-take-off
ASM: assembly	HOC: height-of-cut	RH: right hand
BBC: blade brake control	HSBH: hex socket button head	ROPS: roll-over protection system
BHTF: button head thread forming	HSFH: hex socket flat head	RRB: rear roller brush
CARR: carriage	HSH: hex socket head	SFH: slotted fillister head
CCW: counter clockwise	HWH: hex washer head	SHH: slotted hex head
CW: clockwise	HWHTF: hex washer head thread forming	SHWH: slotted hex washer head
DEG: degrees	HYD: hydraulic	SPH: slotted pan head
DPA: Dual Point Adjustment	LH: left hand	SQH: square head
ECM: electronic control module	LP: Liquefied Petroleum Gas	SRH: slotted round head
EXT: external	LPG: Liquefied Petroleum Gas	STD: standard
FH: flat head	NI: nylon insert	TAP: self tapping
GA: gauge	NPTF: national pipe thread fine	TTH: torx truss head
HD: heavy-duty	PFH: phillips flat head	
HF: hex flange	PPH: phillips pan head	
HH: hex head	PPHTF: phillips pan head thread forming	
HHF: hex head flange	PRH: phillips round head	
HHFTF: hex head flange thread forming	PTH: phillips truss head	
HJ: hex jam		

Contents

Frame and Yoke Assembly	4
Axle Assembly	6
Hub Assembly No. 125-8171	8
Engine Assembly	10
Drum Assembly	12
Cowl Assembly	14
Attachments and Accessories	16

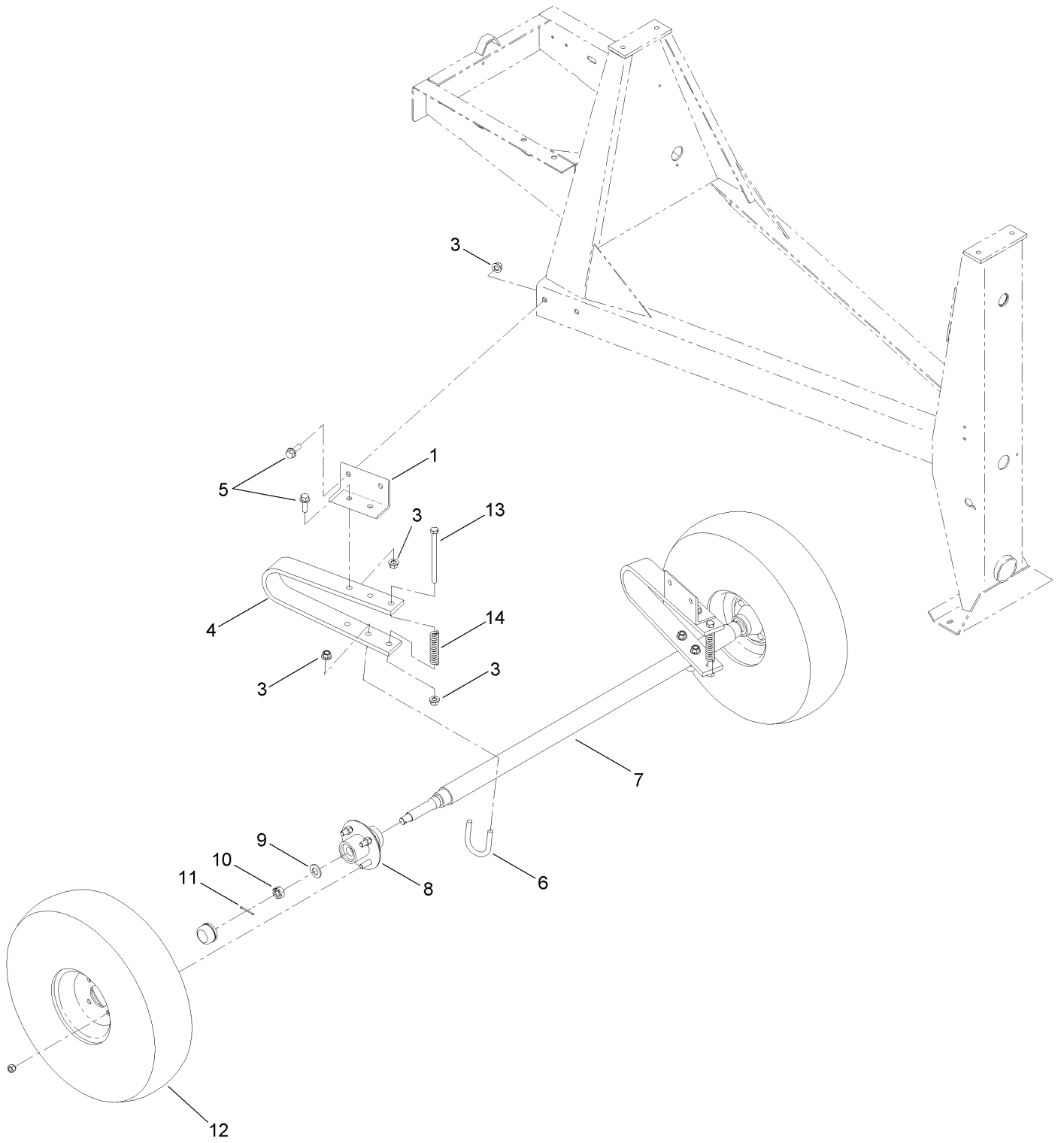
Frame and Yoke Assembly



Frame and Yoke Assembly (continued)

<i>Ref.</i>	<i>Part Number</i>	<i>Qty.</i>	<i>Description</i>	<i>Ref.</i>	<i>Part Number</i>	<i>Qty.</i>	<i>Description</i>
1	127-2815	1	Frame ASM	12	ST24349-03	2	Trunnion
1:2	125-8216	1	Decal-Safety Chain, Towing	13	125-8693	1	Yoke ASM
2	ST32032	2	Bushing-Nylon	14	ST27617-03	1	Guard-Brake, Upper
3	ST22029	1	Shaft-Tilt	15	ST80031	4	Screw-HWH
4	ST22096-03	1	Handwheel	16	ST27618-03	1	Guard-Brake, Lower
5	32121-27	1	Pin-Roll	17	ST27144-03	1	Guard-Pinion
6	ST27619-03	1	Dog-Brake	18	322-3	2	Screw-HH
7	3234-24	1	Screw-HHF	19	104-8300	2	Nut-Flange, NI
8	104-8301	1	Nut-Flange, NI	20	ST46042	2	Fitting-Grease
9	ST27559-03	2	Bracket-Handle	21	ST47001	2	Cap-Plug
10	ST27621	1	Handle-Brake	27	99-4693	1	Decal
11	701243	4	Screw-HWHTF	28	125-8175	2	Decal-Grease

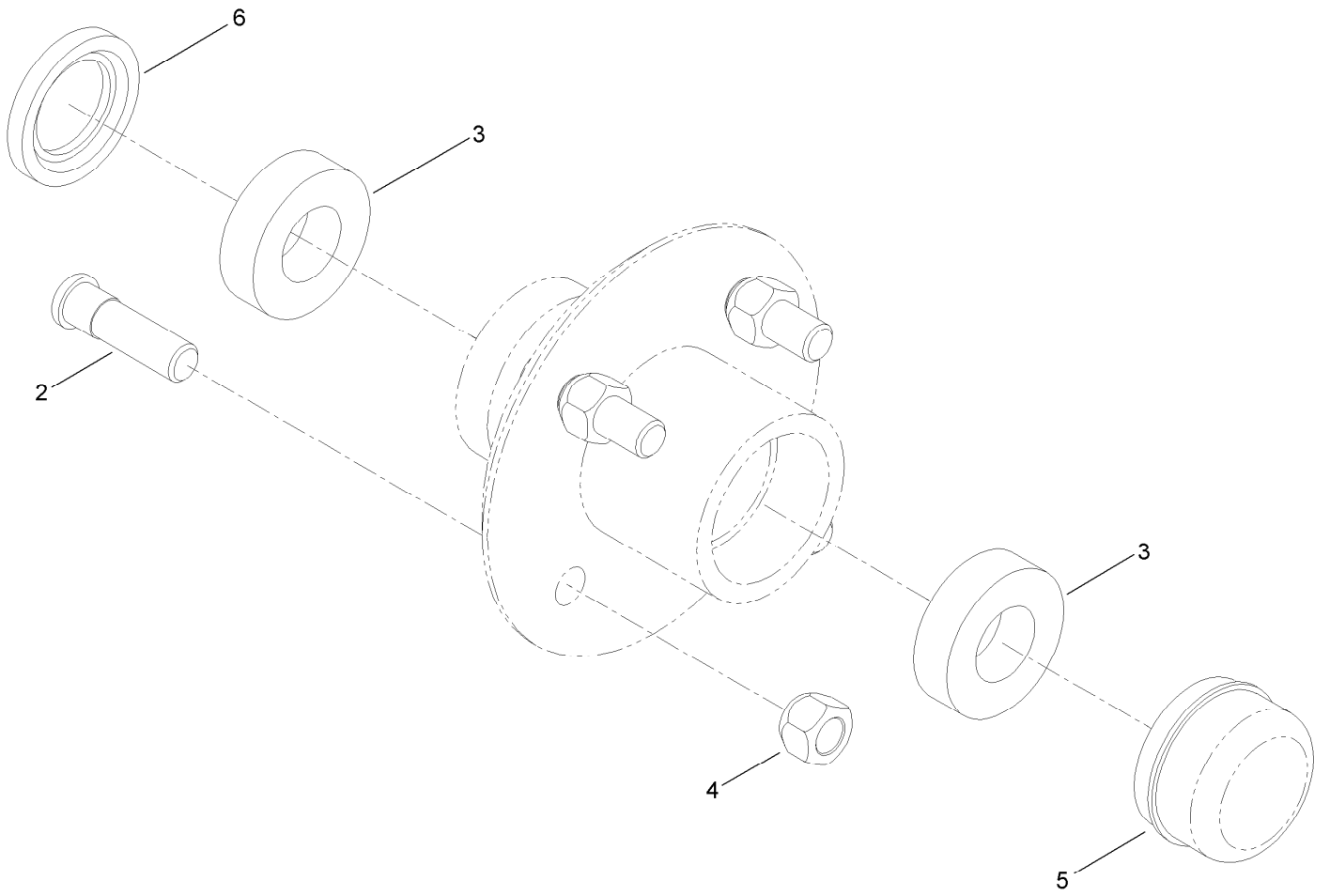
Axle Assembly



Axle Assembly (continued)

<i>Ref.</i>	<i>Part Number</i>	<i>Qty.</i>	<i>Description</i>	<i>Ref.</i>	<i>Part Number</i>	<i>Qty.</i>	<i>Description</i>
1	ST26949-03	2	Bracket-Axle, Spring	9	3256-28	2	Washer-Flat
3	99-5107	14	Nut-Lock	10	ST80054	2	Nut
4	ST26971	2	Spring-Leaf	11	3272-13	2	Pin-Cotter
5	100-6116	8	Screw-HHF	12	ST32307	2	Tire And Rim ASM
6	ST26195	2	Bolt-U	13	325-33	2	Screw-HH
7	ST21460-03	1	Axle-Spring	14	ST34972	2	Spring-Coil
8	125-8171	2	Hub ASM				

Hub Assembly No. 125-8171

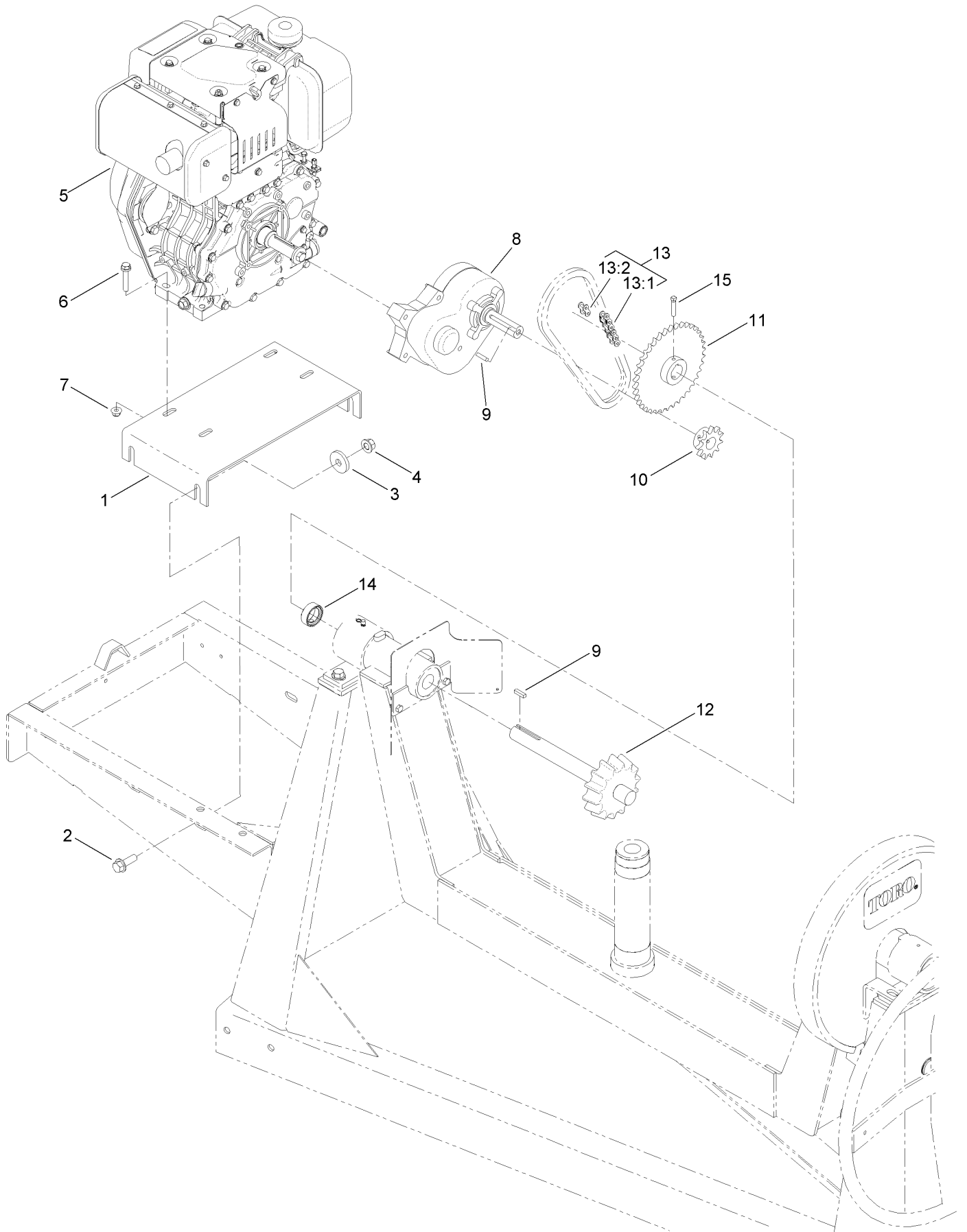


Hub Assembly No. 125-8171 (continued)

<i>Ref.</i>	<i>Part Number</i>	<i>Qty.</i>	<i>Description</i>
2	ST39190	4	Stud-Wheel
3	ST32233	2	Bearing-Roller
4	ST80045	4	Nut-Lug

<i>Ref.</i>	<i>Part Number</i>	<i>Qty.</i>	<i>Description</i>
5	ST34573	1	Cap-Dust
6	ST32052	1	Seal-Hub, Wheel

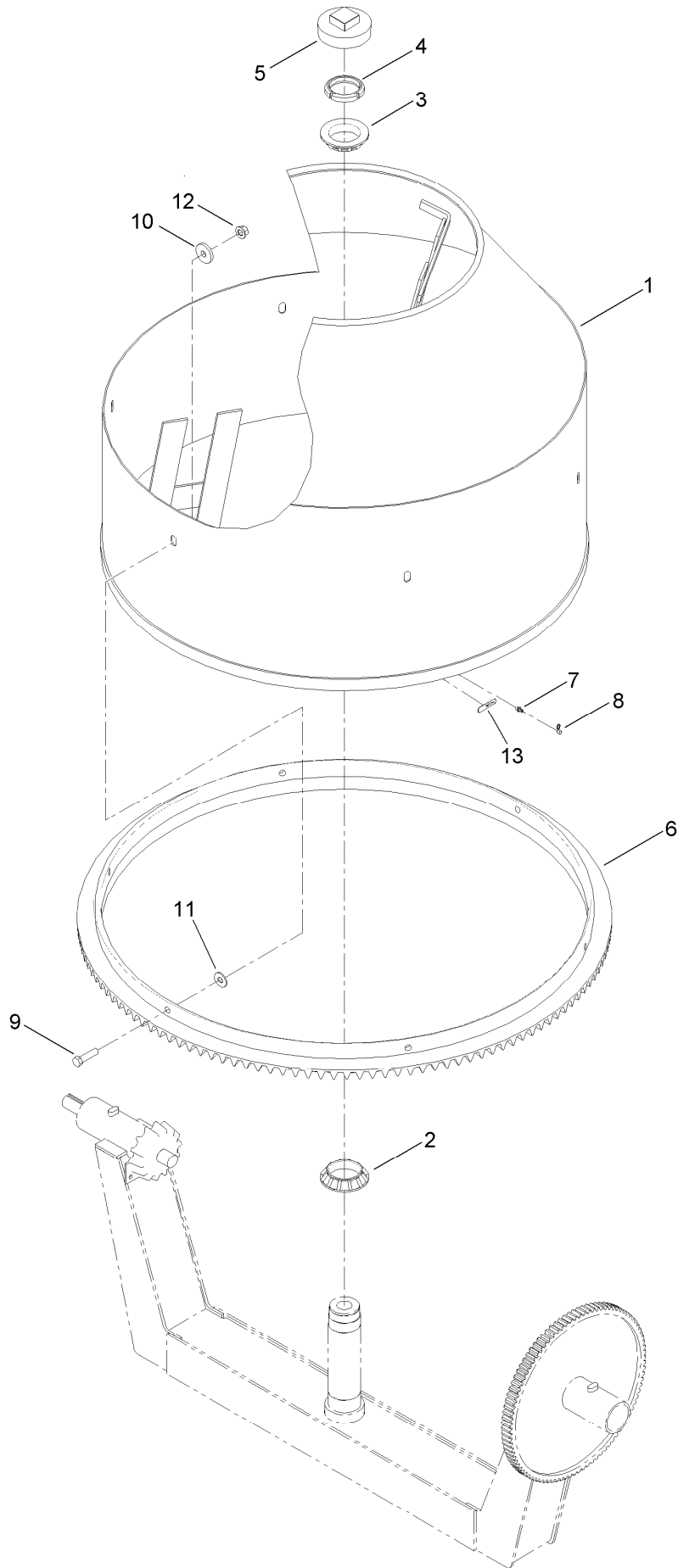
Engine Assembly



Engine Assembly (continued)

<i>Ref.</i>	<i>Part Number</i>	<i>Qty.</i>	<i>Description</i>	<i>Ref.</i>	<i>Part Number</i>	<i>Qty.</i>	<i>Description</i>
1	ST39665-03	1	Base-Motor	10	ST35284	1	Sprocket
2	100-6116	4	Screw-HHF	11	ST34099	1	Sprocket
3	ST26326	4	Washer-Flat	12	ST21487	1	Shaft-Drive
4	99-5107	4	Nut-Lock	13	ST22040	1	Chain Set
5	125-8692	1	Engine-Diesel	13:1	ST34102	3	Chain
6	108-3742	4	Screw-HHF	13:2	ST34104	1	Link-Connecting, No. 50
7	104-8301	4	Nut-Flange, NI	14	ST32176	1	Collar-Locking
8	ST39667	1	Reducer-Gear	15	909546	2	Screw-Set, SQH
9	5-7280	2	Key				

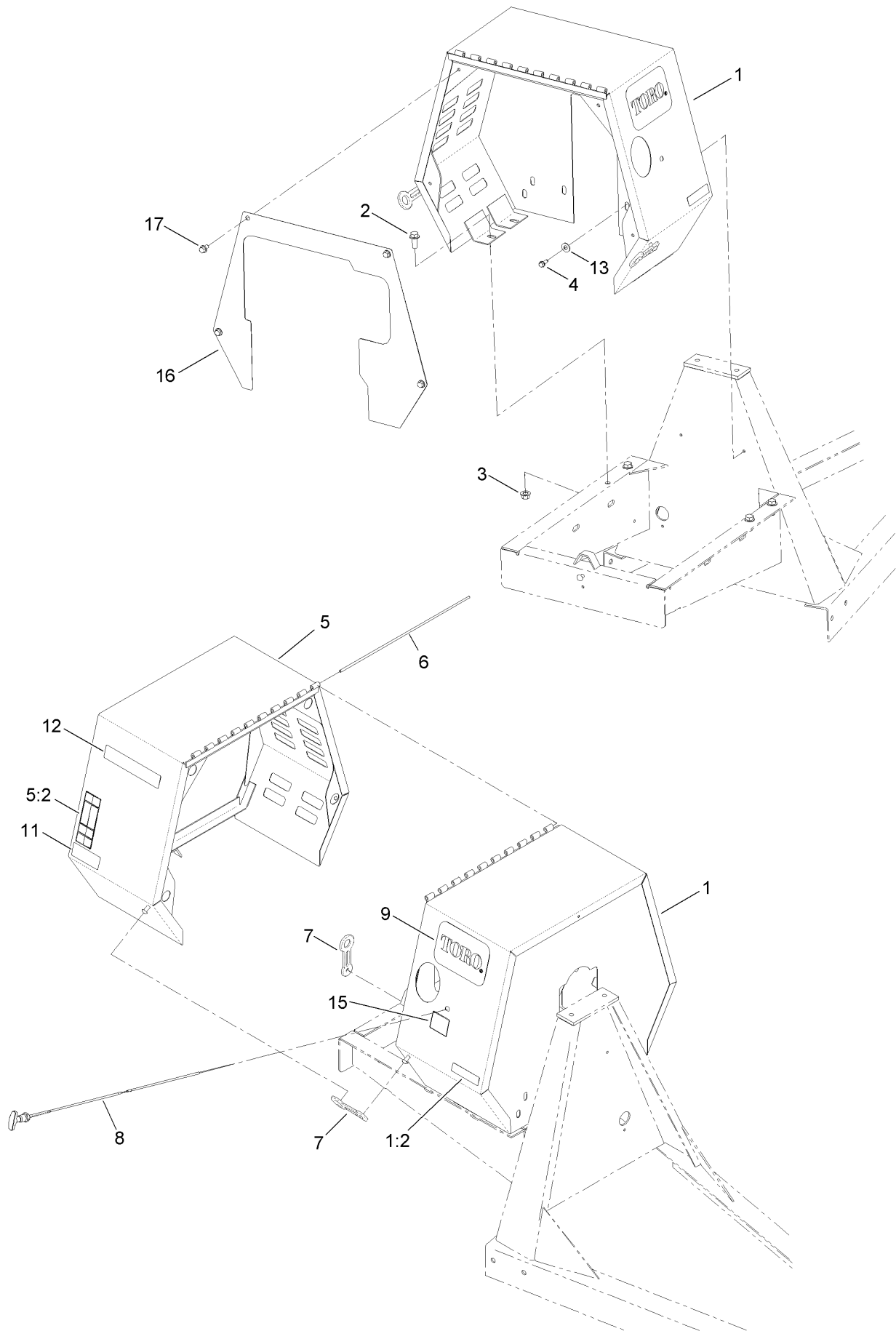
Drum Assembly



Drum Assembly (continued)

<i>Ref.</i>	<i>Part Number</i>	<i>Qty.</i>	<i>Description</i>	<i>Ref.</i>	<i>Part Number</i>	<i>Qty.</i>	<i>Description</i>
1	125-8687-01	1	Drum	8	ST47001	1	Cap-Plug
2	ST32283	1	Bearing	9	325-8	6	Screw-HH
3	ST32282	1	Bearing	10	ST26326	6	Washer-Flat
4	ST32285	1	Nut-Lock	11	3256-6	6	Washer-Flat
5	ST32287	1	Plug-Pipe	12	99-5107	6	Nut-Lock
6	ST39078-01	1	Gear-Ring	13	125-8175	1	Decal-Grease
7	ST46057	1	Fitting				

Cowl Assembly



Cowl Assembly (continued)

<i>Ref.</i>	<i>Part Number</i>	<i>Qty.</i>	<i>Description</i>	<i>Ref.</i>	<i>Part Number</i>	<i>Qty.</i>	<i>Description</i>
1	127-2812	1	Stationary Cowl ASM	8	ST50428	1	Cable-Throttle
1:2	117-2718	1	Decal-Arrester, Spark	9	67-7320	2	Decal
2	3234-38	4	Screw-HHF	11	125-4942	1	Decal
3	99-5107	4	Nut-Lock	12	125-4938	2	Decal
4	701243	2	Screw-HWHTF	13	3256-4	2	Washer-Flat
5	127-1685	1	Movable Cowl ASM	15	127-2853	1	Decal-Throttle, Diesel
5:2	125-4939	1	Decal-Warning	16	127-5580-03	1	Plate-Guard, Drive
6	ST44368	1	Pin	17	110-9380	4	Screw-HWH
7	ST47182	3	Latch-Rubber				

Attachments and Accessories

For 68011 CM-1258Y-SD Concrete Mixer

Product Name	Model/Part
50in Forged Tow Pole Hitch	68057
50in Pintel Tow Pole Hitch	68059
50in Stamped Tow Pole Hitch	68061
Trailer Light Kit.....	68062

Notes:

Notes:

Notes:



Count on it.