



**Count on it.**

**Parts Catalog**

**MM-658H-S Mortar Mixer**

Model No. 68016—Serial No. 314000001 and Up



# Ordering Replacement Parts

To order replacement parts, please supply the part number, the quantity, and the description of each part desired.

## Understanding Reference Numbers

Each identified part in an illustration has a reference number. The reference number for a part also appears in the parts list, along with other information about the part.

This catalog uses two special reference number formats, one to indicate parts in a service assembly and another to indicate the quantity of a given part in an illustration.

## Service Assembly Reference Numbers

Parts in service assemblies have reference numbers in the form a:b. The a represents the reference number of the entire service assembly and the b represents a sequential number unique to each part within the service assembly.

For example, a wheel assembly might be identified by reference number 6, the tire by 6:1, the valve by 6:2, and the wheel by 6:3. When you order the assembly identified by reference number 6, you receive all parts identified by reference numbers 6:1, 6:2, and 6:3. However, you may also order any part individually. Reference numbers of this type appear in illustration and in parts lists.

## Reference Numbers Indicating Quantity

In an illustration, if a reference number indicates more than one part, the reference number has the form nX y. The n represents the quantity of the part, the X is the multiplication symbol, and the y represents the reference number.

For example, in an illustration, the reference number 2X 37 means that two of the parts identified by reference number 37 are indicated.

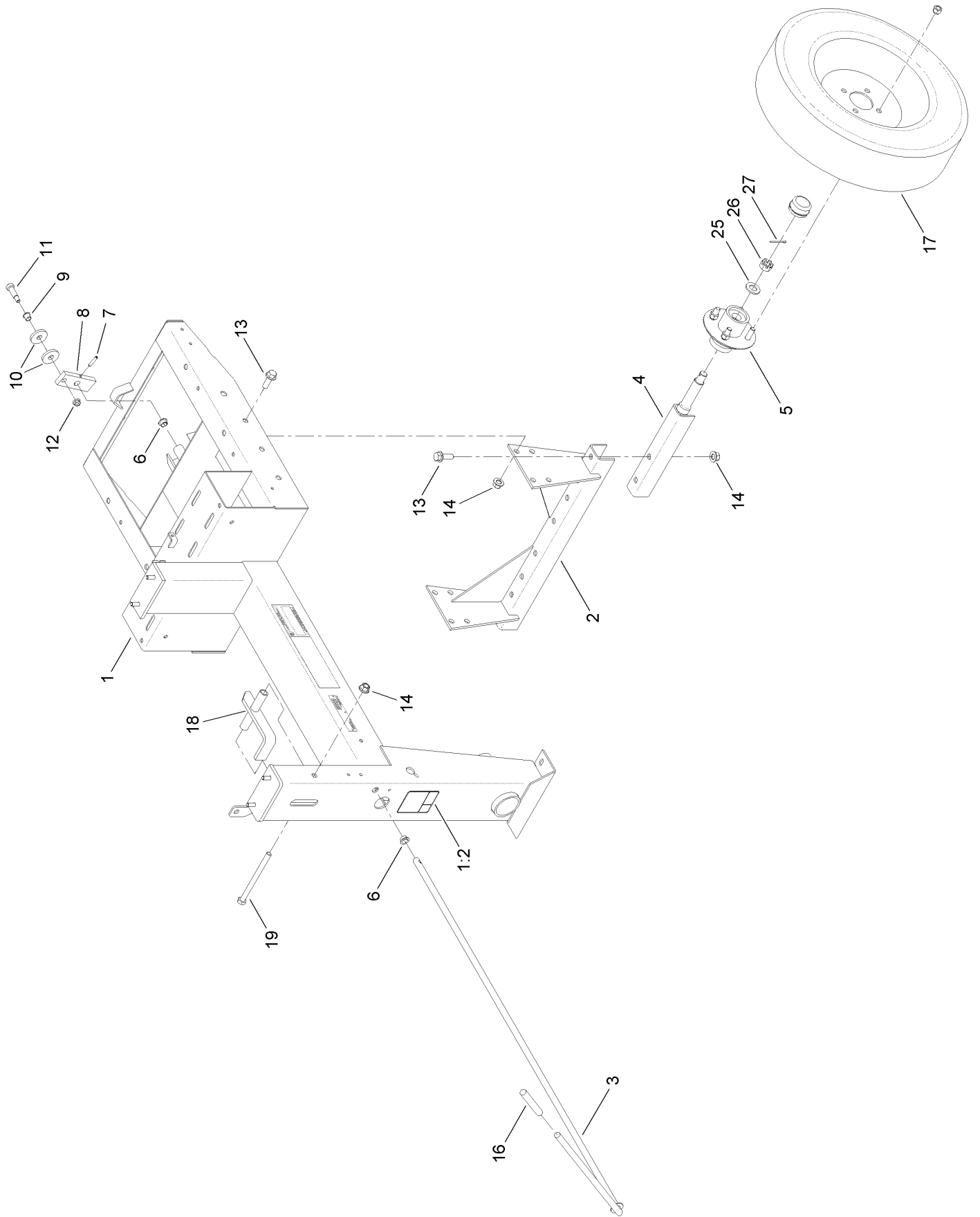
# List of Abbreviations

|  |  |  |
|--|--|--|
| <b>AR:</b> as required                       | <b>HLH:</b> hex lag head                       | <b>PTO:</b> power-take-off               |
| <b>ASM:</b> assembly                         | <b>HOC:</b> height-of-cut                      | <b>RH:</b> right hand                    |
| <b>BBC:</b> blade brake control              | <b>HSBH:</b> hex socket button head            | <b>ROPS:</b> roll-over protection system |
| <b>BHTF:</b> button head thread forming      | <b>HSFH:</b> hex socket flat head              | <b>RRB:</b> rear roller brush            |
| <b>CARR:</b> carriage                        | <b>HSH:</b> hex socket head                    | <b>SFH:</b> slotted fillister head       |
| <b>CCW:</b> counter clockwise                | <b>HWH:</b> hex washer head                    | <b>SHH:</b> slotted hex head             |
| <b>CW:</b> clockwise                         | <b>HWHTF:</b> hex washer head thread forming   | <b>SHWH:</b> slotted hex washer head     |
| <b>DEG:</b> degrees                          | <b>HYD:</b> hydraulic                          | <b>SPH:</b> slotted pan head             |
| <b>DPA:</b> Dual Point Adjustment            | <b>LH:</b> left hand                           | <b>SQH:</b> square head                  |
| <b>ECM:</b> electronic control module        | <b>LP:</b> Liquefied Petroleum Gas             | <b>SRH:</b> slotted round head           |
| <b>EXT:</b> external                         | <b>LPG:</b> Liquefied Petroleum Gas            | <b>STD:</b> standard                     |
| <b>FH:</b> flat head                         | <b>NI:</b> nylon insert                        | <b>TAP:</b> self tapping                 |
| <b>GA:</b> gauge                             | <b>NPTF:</b> national pipe thread fine         | <b>TTH:</b> torx truss head              |
| <b>HD:</b> heavy-duty                        | <b>PFH:</b> phillips flat head                 |  |
| <b>HF:</b> hex flange                        | <b>PPH:</b> phillips pan head                  |  |
| <b>HH:</b> hex head                          | <b>PPHTF:</b> phillips pan head thread forming |  |
| <b>HHF:</b> hex head flange                  | <b>PRH:</b> phillips round head                |  |
| <b>HHFTF:</b> hex head flange thread forming | <b>PTH:</b> phillips truss head                |  |
| <b>HJ:</b> hex jam                           |  |  |

# Contents

- Frame and Axle Assembly ..... 4
- Hub Assembly No. 125-8171 ..... 6
- Drum Assembly ..... 8
- Engine and Pinion Assembly ..... 10
- Pinion Assembly No. ST21471 ..... 12
- Cowl Assembly ..... 14
- Attachments and Accessories ..... 16

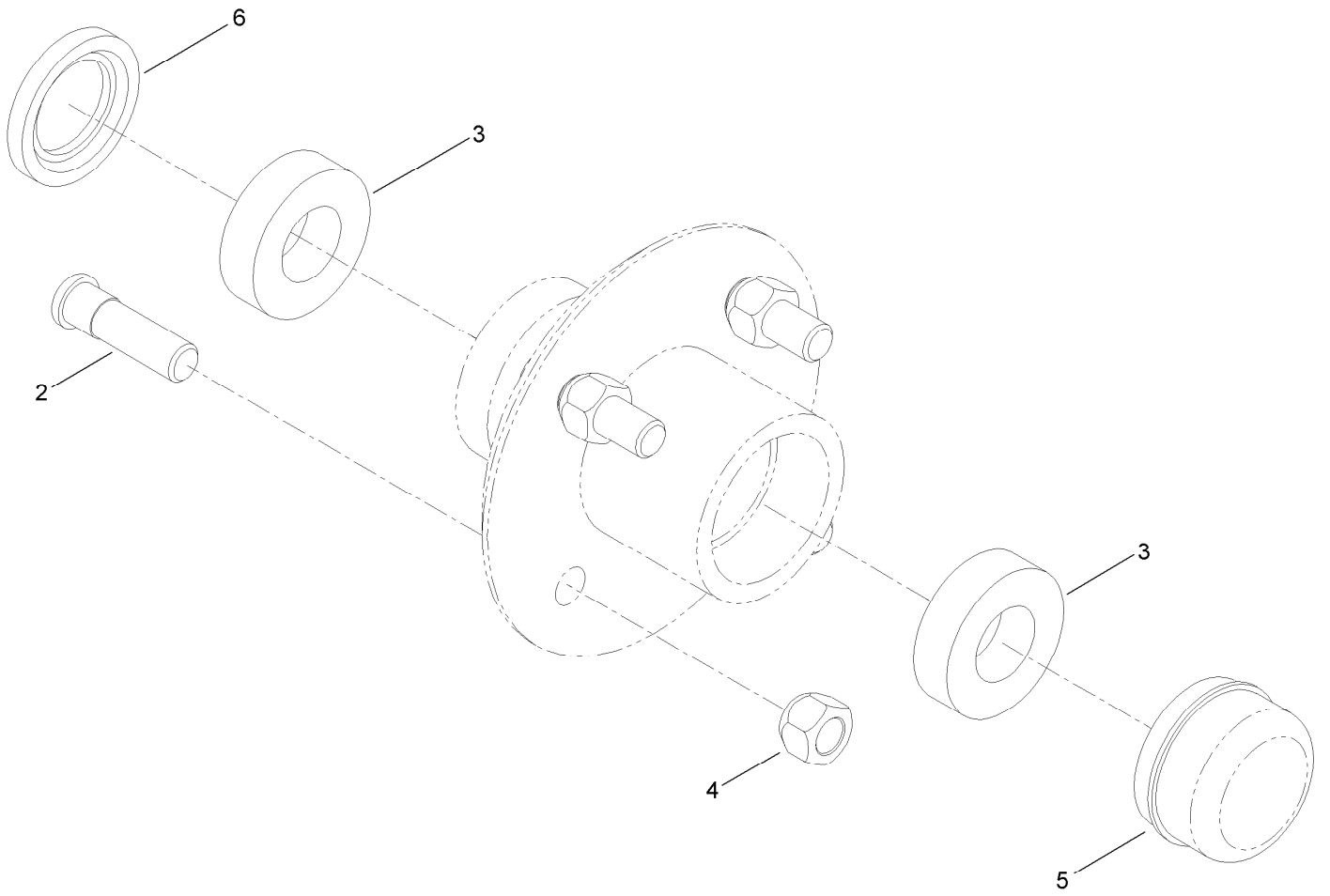
# Frame and Axle Assembly



## Frame and Axle Assembly (continued)

| <i>Ref.</i> | <i>Part Number</i> | <i>Qty.</i> | <i>Description</i>         | <i>Ref.</i> | <i>Part Number</i> | <i>Qty.</i> | <i>Description</i> |
|-------------|--------------------|-------------|----------------------------|-------------|--------------------|-------------|--------------------|
| 1           | 127-1680           | 1           | Frame ASM                  | 11          | ST81153            | 1           | Screw-HSBH         |
| 1:2         | 125-8216           | 1           | Decal-Safety Chain, Towing | 12          | 104-8301           | 1           | Nut-Flange, NI     |
| 2           | 125-8219-03        | 1           | Support-Axle               | 13          | 100-6116           | 8           | Screw-HHF          |
| 3           | ST39568-03         | 1           | Lever-Clutch               | 14          | 99-5107            | 9           | Nut-Lock           |
| 4           | ST22512-03         | 2           | Axle-Half                  | 16          | ST34687            | 1           | Grip-Handle        |
| 5           | 125-8171           | 2           | Hub ASM                    | 17          | ST32306            | 2           | Tire And Rim ASM   |
| 6           | ST32116            | 2           | Bushing-Flange             | 18          | ST24027-03         | 1           | Latch-Drum         |
| 7           | 32121-69           | 1           | Pin-Spring                 | 19          | 325-33             | 1           | Screw-HH           |
| 8           | ST39446            | 1           | Link-Clutch                | 25          | 3256-28            | 2           | Washer-Flat        |
| 9           | ST32099            | 1           | Bushing-Flange             | 26          | ST80054            | 2           | Nut                |
| 10          | ST26326            | 2           | Washer-Flat                | 27          | 3272-13            | 2           | Pin-Cotter         |

# Hub Assembly No. 125-8171

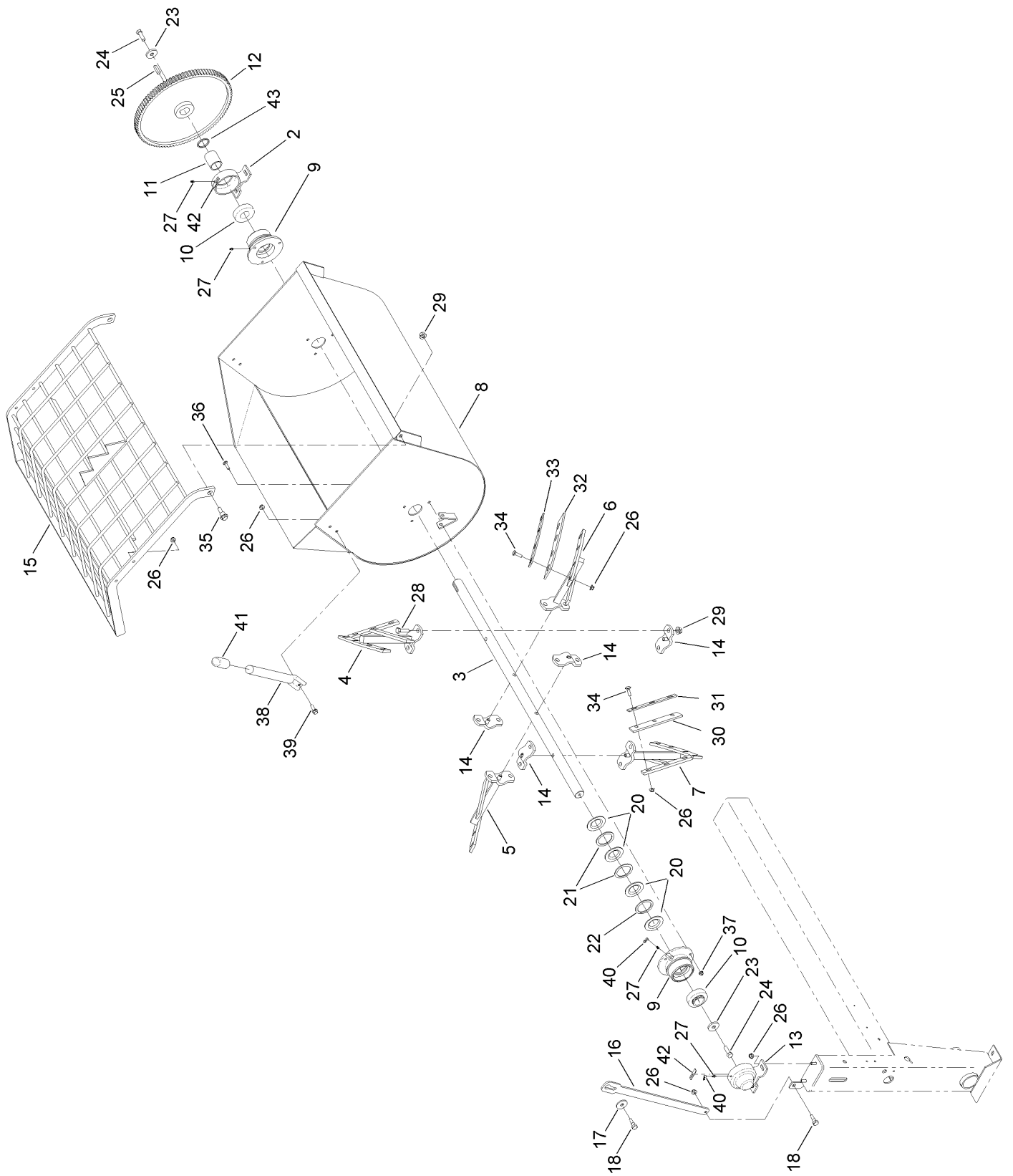


## Hub Assembly No. 125-8171 (continued)

| <i>Ref.</i> | <i>Part Number</i> | <i>Qty.</i> | <i>Description</i> |
|-------------|--------------------|-------------|--------------------|
| 2           | ST39190            | 4           | Stud-Wheel         |
| 3           | ST32233            | 2           | Bearing-Roller     |
| 4           | ST80045            | 4           | Nut-Lug            |

| <i>Ref.</i> | <i>Part Number</i> | <i>Qty.</i> | <i>Description</i> |
|-------------|--------------------|-------------|--------------------|
| 5           | ST34573            | 1           | Cap-Dust           |
| 6           | ST32052            | 1           | Seal-Hub, Wheel    |

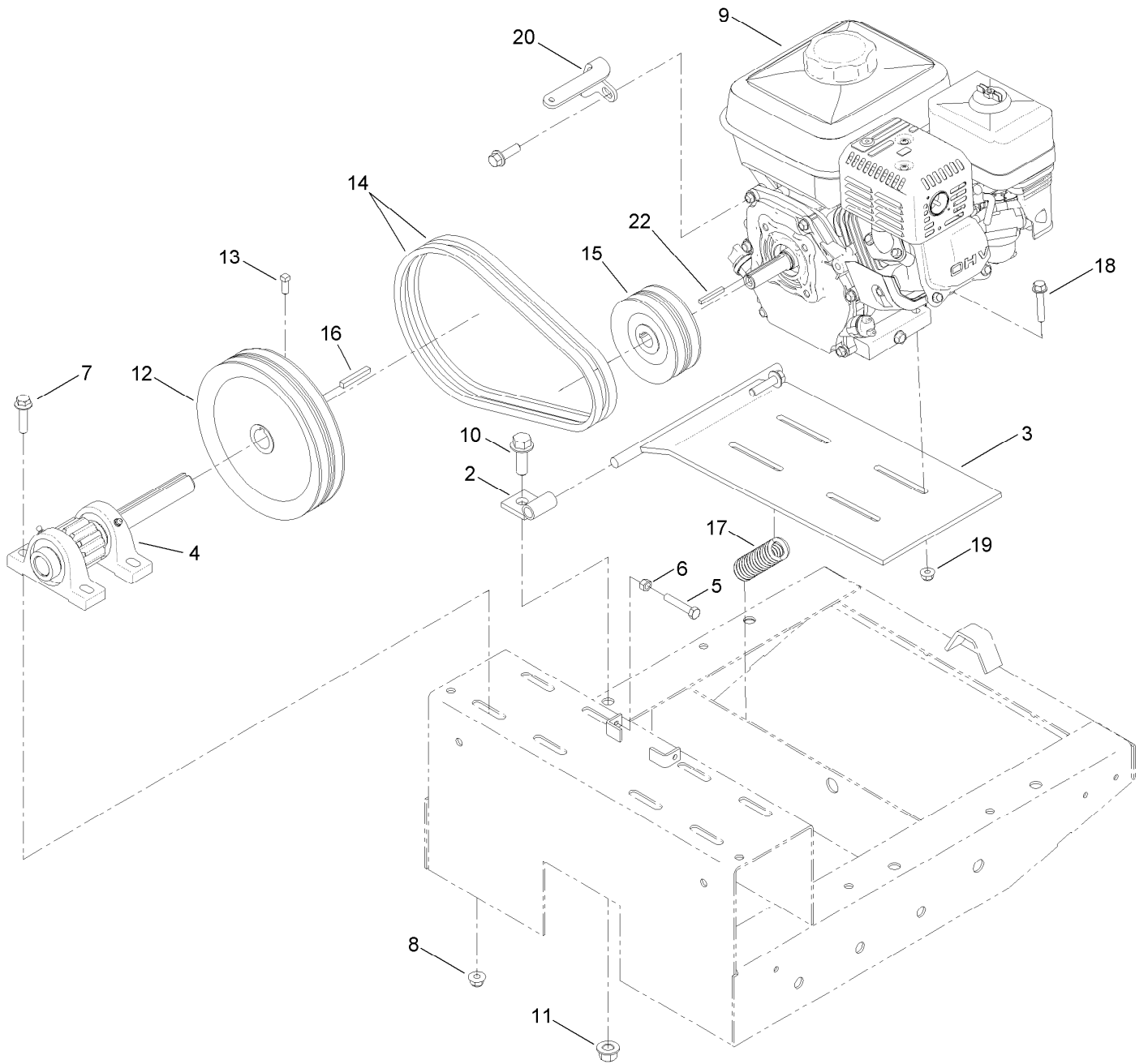
# Drum Assembly



## Drum Assembly (continued)

| <i>Ref.</i> | <i>Part Number</i> | <i>Qty.</i> | <i>Description</i> | <i>Ref.</i> | <i>Part Number</i> | <i>Qty.</i> | <i>Description</i>  |
|-------------|--------------------|-------------|--------------------|-------------|--------------------|-------------|---------------------|
| 2           | ST24021-01         | 1           | Trunnion           | 24          | 325-6              | 2           | Screw-HH            |
| 3           | ST24205-01         | 1           | Shaft-Drum         | 25          | ST81060            | 1           | Key-Square          |
| 4           | ST24219-01         | 1           | Paddle             | 26          | 104-8301           | 30          | Nut-Flange, NI      |
| 5           | ST24220-01         | 1           | Paddle             | 27          | ST46042            | 4           | Fitting-Grease      |
| 6           | ST24221-01         | 1           | Paddle             | 28          | 325-7              | 6           | Screw-HH            |
| 7           | ST24222-01         | 1           | Paddle             | 29          | 99-5107            | 8           | Nut-Lock            |
| 8           | ST25934-01         | 1           | Drum               | 30          | ST24033            | 2           | Blade-Rubber, Short |
| 9           | ST32326-01         | 2           | Housing-Bearing    | 31          | ST24031-01         | 2           | Bar-Backer, Short   |
| 10          | ST32003            | 2           | Bearing-Ball       | 32          | ST24106            | 4           | Blade-Rubber, Long  |
| 11          | ST25909            | 1           | Spacer-Shaft, Drum | 33          | ST24104-01         | 4           | Bar-Backer, Long    |
| 12          | ST26933-03         | 1           | Gear-94 Teeth      | 34          | 3231-25            | 22          | Bolt-CARR           |
| 13          | ST36574-01         | 1           | Trunnion-Capped    | 35          | 116-0780           | 2           | Screw-HHF, Shoulder |
| 14          | ST24107-01         | 2           | Clamp              | 36          | 3230-3             | 6           | Screw-CARR          |
| 15          | 125-6253-01        | 1           | Guard-Drum         | 37          | 104-8300           | 6           | Nut-Flange, NI      |
| 16          | 125-6223-03        | 1           | Bar-Guard, Lift    | 38          | ST44347-01         | 1           | Handle-Dump         |
| 17          | 106-2008           | 1           | Washer-Thrust      | 39          | 3234-24            | 2           | Screw-HHF           |
| 18          | 80-1300            | 2           | Bolt-Shoulder      | 40          | ST47001            | 4           | Cap-Plug            |
| 20          | ST32324            | 8           | Seal-Drum          | 41          | ST47023            | 1           | Grip-Hand           |
| 21          | ST24017            | 4           | Washer-Flat        | 42          | 125-8175           | 2           | Decal-Grease        |
| 22          | ST25881            | 2           | Washer-Split       | 43          | ST44284            | 1           | Spacer-Shaft, Drum  |
| 23          | ST26326            | 2           | Washer-Flat        |             |                    |             |                     |

# Engine and Pinion Assembly

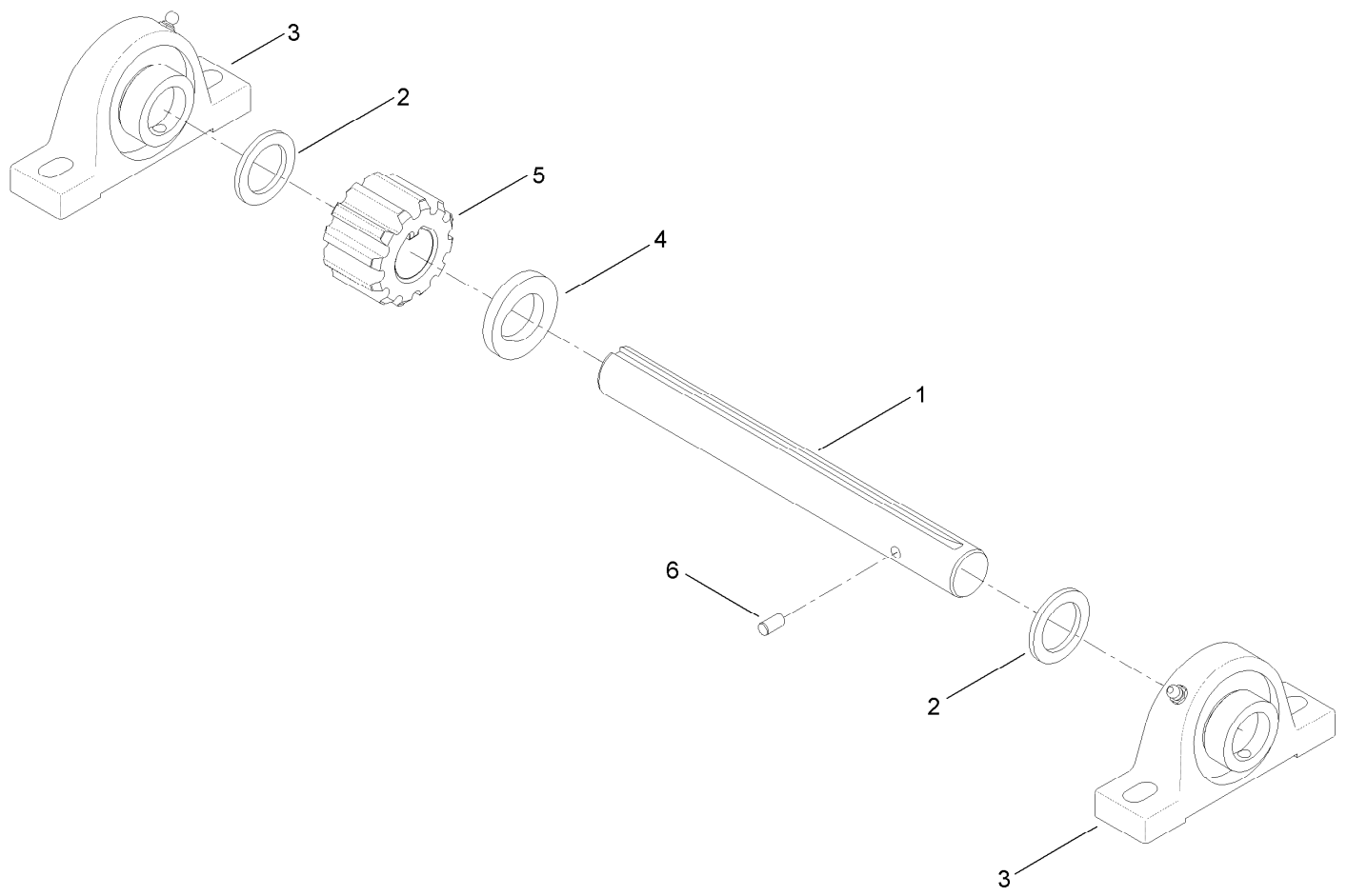


## Engine and Pinion Assembly (continued)

| <i>Ref.</i> | <i>Part Number</i> | <i>Qty.</i> | <i>Description</i>    | <i>Ref.</i> | <i>Part Number</i> | <i>Qty.</i> | <i>Description</i> |
|-------------|--------------------|-------------|-----------------------|-------------|--------------------|-------------|--------------------|
| 2           | ST57786-03         | 2           | Mount-Motor           | 12          | ST38450            | 1           | Sheave             |
| 3           | ST39557-03         | 1           | Base-Motor            | 13          | 120-6474           | 2           | Screw-Set, SQH     |
| 4           | ST21471            | 1           | Pinion ASM            | 14          | ST34052            | 2           | Belt-V             |
| 5           | 322-41             | 1           | Screw-HH              | 15          | ST38449            | 1           | Sheave             |
| 6           | 3217-6             | 1           | Nut-Hex               | 16          | 7-0238             | 1           | Key-Square         |
| 7           | 114-4681           | 4           | Screw-HHF             | 17          | ST34849            | 1           | Spring             |
| 8           | 104-8301           | 4           | Nut-Flange, NI        | 18          | 114-4681           | 4           | Screw-HHF          |
| 9           | 125-4812           | 1           | Engine-Honda, Gx240 ● | 19          | 104-8301           | 4           | Nut-Flange, NI     |
| 10          | 100-6116           | 2           | Screw-HHF             | 20          | 127-1665-03        | 1           | Guide-Belt         |
| 11          | 99-5107            | 2           | Nut-Lock              | 22          | 7-0238             | 1           | Key-Square         |

● Obtain parts from [www.honda-engines.com](http://www.honda-engines.com)

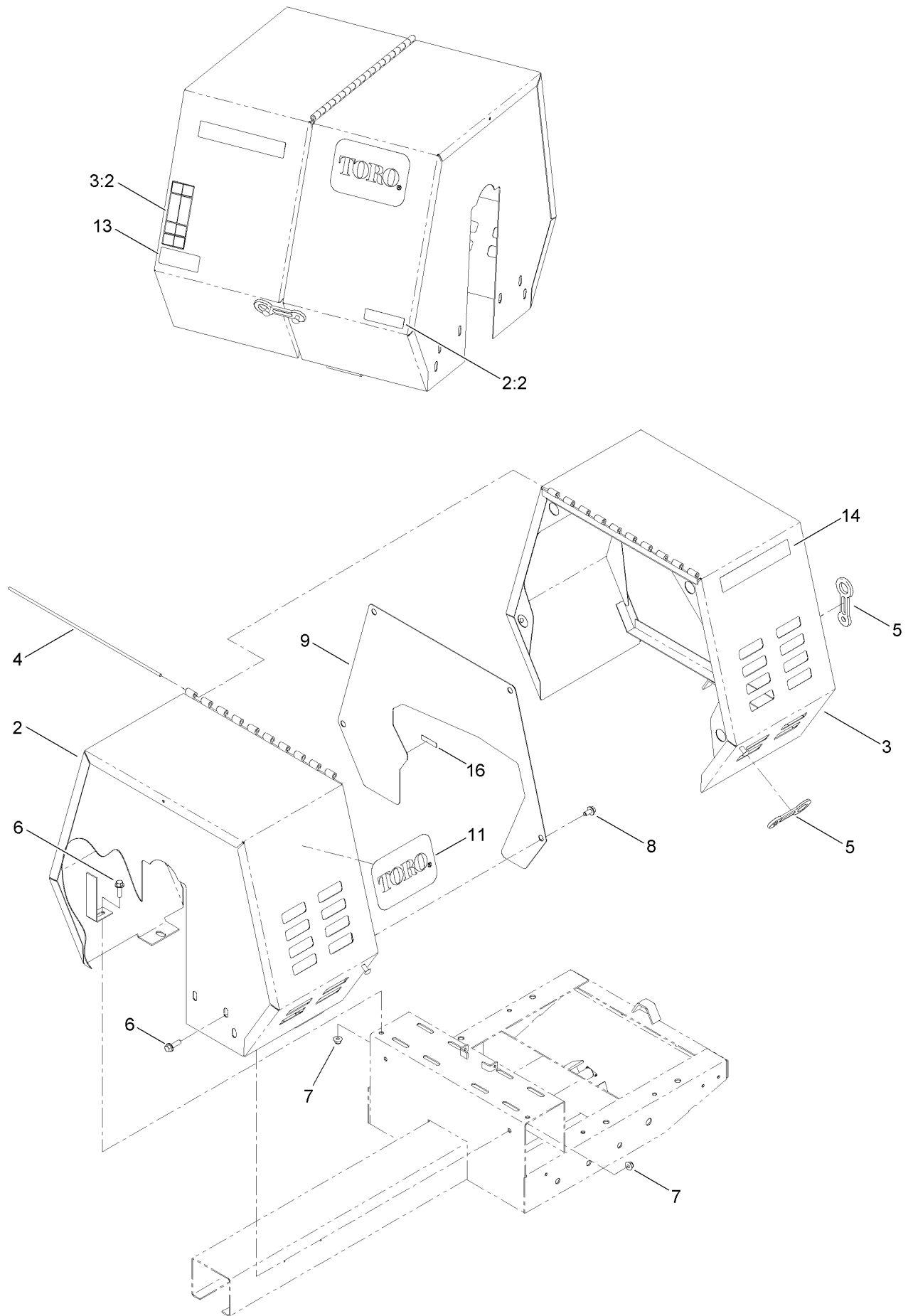
# Pinion Assembly No. ST21471



## Pinion Assembly No. ST21471 (continued)

| <i>Ref.</i> | <i>Part Number</i> | <i>Qty.</i> | <i>Description</i>    | <i>Ref.</i> | <i>Part Number</i> | <i>Qty.</i> | <i>Description</i> |
|-------------|--------------------|-------------|-----------------------|-------------|--------------------|-------------|--------------------|
| 1           | ST24036            | 1           | Shaft-Pinion          | 4           | ST38122            | 1           | Washer             |
| 2           | 3-8514             | 2           | Washer-Thrust         | 5           | ST57625            | 1           | Gear-Spur          |
| 3           | ST32208            | 2           | Bearing-Block, Pillow | 6           | 95-0715            | 1           | Pin-Dowel          |

# Cowl Assembly



## Cowl Assembly (continued)

| <i>Ref.</i> | <i>Part Number</i> | <i>Qty.</i> | <i>Description</i>    | <i>Ref.</i> | <i>Part Number</i> | <i>Qty.</i> | <i>Description</i> |
|-------------|--------------------|-------------|-----------------------|-------------|--------------------|-------------|--------------------|
| 2           | 127-1683           | 1           | Stationary Cowl ASM   | 7           | 104-8301           | 6           | Nut-Flange, NI     |
| 2:2         | 117-2718           | 1           | Decal-Arrester, Spark | 8           | 110-9380           | 4           | Screw-HWH          |
| 3           | 127-1685           | 1           | Movable Cowl ASM      | 9           | 125-6214-03        | 1           | Plate-Access, Belt |
| 3:2         | 125-4939           | 1           | Decal-Warning         | 11          | 67-7320            | 2           | Decal              |
| 4           | ST44368            | 1           | Pin                   | 13          | 125-4942           | 1           | Decal              |
| 5           | ST47182            | 3           | Latch-Rubber          | 14          | 125-4949           | 2           | Decal-Mm-658H      |
| 6           | 3234-24            | 6           | Screw-HHF             | 16          | 125-8175           | 1           | Decal-Grease       |

# Attachments and Accessories

## For 68016 MM-658H-S Mortar Mixer

| <b>Product Name</b>                  | <b>Model/Part</b> |
|--------------------------------------|-------------------|
| 31 inch Forged Tow Pole Hitch .....  | 68056             |
| 31 inch Pintel Tow Pole Hitch .....  | 68058             |
| 31 inch Stamped Tow Pole Hitch ..... | 68060             |
| Trailer Light Kit.....               | 68062             |

**Notes:**

**Notes:**

**Notes:**



**Count on it.**