



Baffle Kit

60in or 72 in Rear Discharge Z Master® Mowers

Model No. 125-9305

Model No. 125-9310

Installation Instructions

▲ WARNING

CALIFORNIA Proposition 65 Warning

This product contains a chemical or chemicals known to the State of California to cause cancer, birth defects, or reproductive harm.

1

Removing the Original Hardware

No Parts Required

Procedure

1. Ensure that all moving parts have stopped, the parking brake is engaged, and the key has been removed.
2. Raise the front of the machine and support it with jack stands.

▲ WARNING

Raising the mower deck for service or maintenance relying solely on mechanical or hydraulic jacks could be dangerous. The mechanical or hydraulic jacks may not be enough support or may malfunction, allowing the unit to fall, which could cause injury.

Do not rely solely on mechanical or hydraulic jacks for support. Use adequate jack stands or equivalent support.

Important: The right-hand blade on this mower deck is counter-rotating and uses a left-hand threaded blade bolt.

3. Remove the blades and retain them for removal of the baffle kit.
4. If the mower has been used, scrape the underside of the mower deck clean.

5. Remove the hardware that plugs the exposed mounting holes in the deck.
 - For 60-inch decks, remove the 6 hex-socket screws (5/16-18 x 3/4 inch) and flanged nyloc nuts plugging the exposed mounting holes in the deck (Figure 1).

Note: Retain these parts for future use.

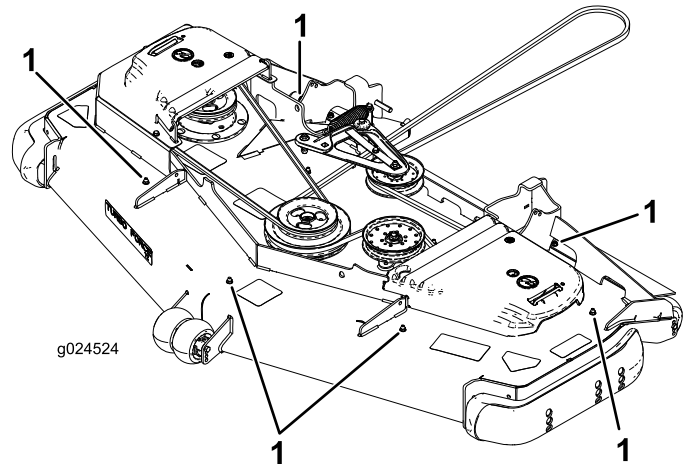


Figure 1
60-inch deck shown

1. Parts that need to be retained

- For 72-inch decks, remove the 4 hex-socket screws (5/16-18 x 3/4 inch), the flanged nuts plugging the exposed mounting holes in the deck, and the inboard-tire-flap fastener on each side (Figure 2).

Note: Retain these parts for future use.



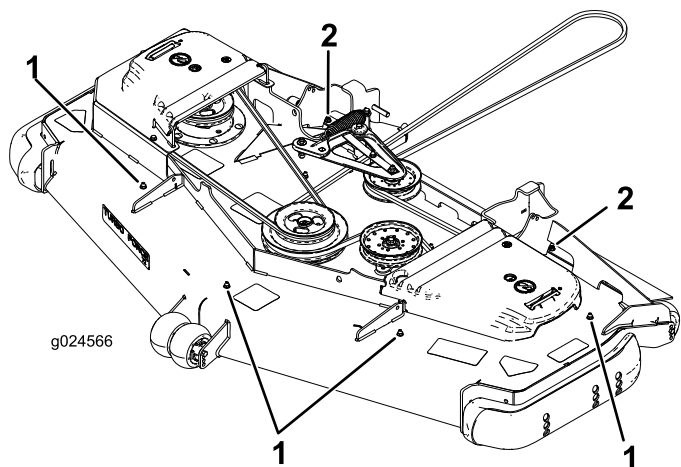


Figure 2
72-inch deck shown

1. Socket screw 2. Carriage bolt

6. Remove and retain the 2 rear carriage bolts (3/8-16 x 2-1/4 inches) and flange nuts from each side within the cutting chamber that attach the side bumpers to the deck sides.

2

Installing the Baffles

Parts needed for this procedure:

1	Front right-hand baffle
1	Rear right-hand baffle
1	Front center baffle
1	Rear center baffle
1	Front left-hand baffle
1	Rear left-hand baffle
1	Right-hand kicker baffle
1	Center kicker baffle
1	Left-hand kicker baffle
2	Locknut (3/8-16)
14	Carriage bolt (3/8-16 x 7/8 inch)—60-inch model only
12	Carriage bolt (3/8-16 x 7/8 inch)—72-inch model only
16	Flange nut (3/8-16)—60-inch model only
10	Flange nut (3/8-16)—72-inch model only
2	Carriage bolt (5/16-18 x 1 inch)—72-inch model only
2	Flange nut (5/16-18)—72-inch model only

Procedure

Note: Determine the left and right sides of the machine from the normal operating position.

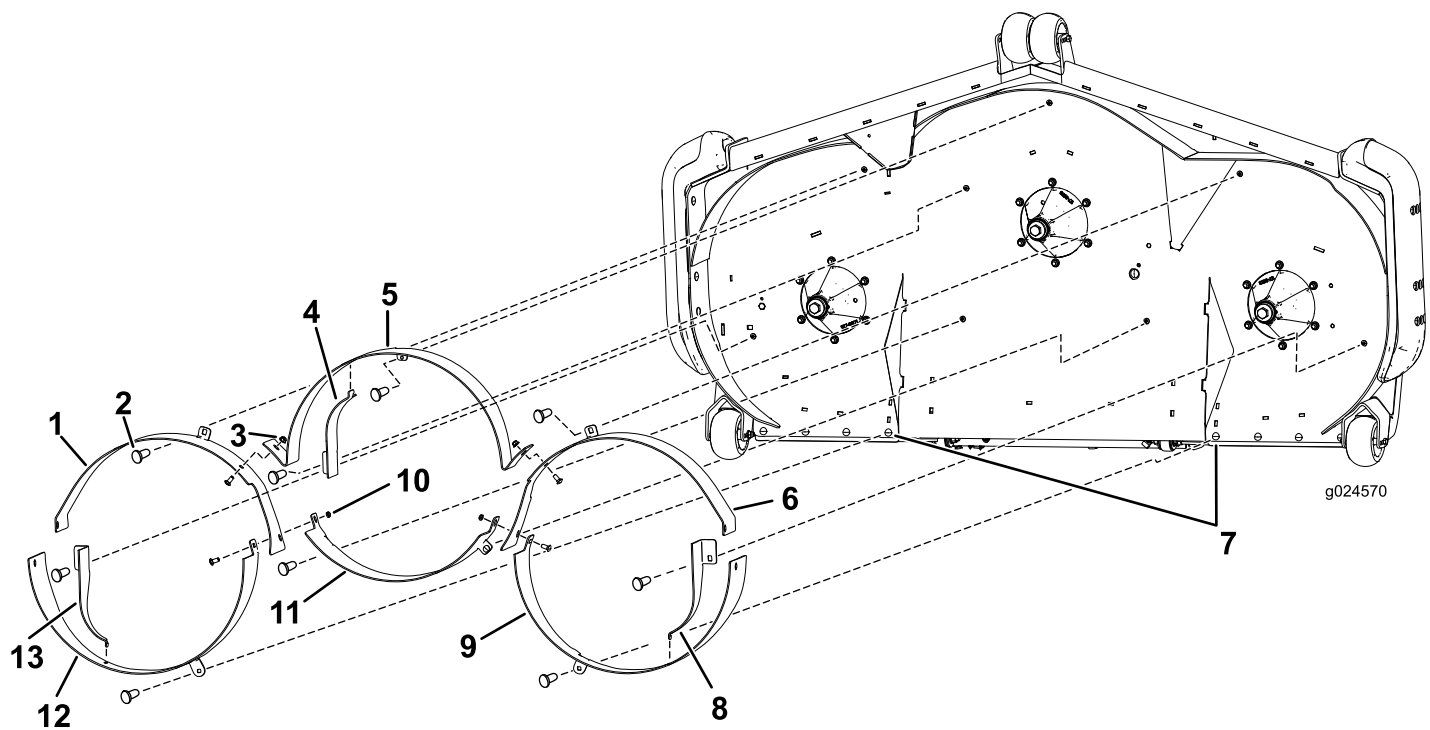


Figure 3

- | | |
|---|------------------------------|
| 1. Front right-hand baffle | 8. Left-hand kicker baffle |
| 2. Carriage bolt | 9. Rear left-hand baffle |
| 3. Flange nut | 10. Locknut |
| 4. Center kicker baffle | 11. Rear center baffle |
| 5. Front center baffle | 12. Rear right-hand baffle |
| 6. Front left-hand baffle | 13. Right-hand kicker baffle |
| 7. Carriage bolt (5/16-18 x 1 inch) and flange nut (5/16-18)—72-inch model only | |

1. Install the front outer baffles by using one carriage bolt (3/8-16 x 7/8 inch) and one flange nut (3/8-16) per baffle (Figure 3).

Note: To help align the baffles, loosely insert the carriage bolts (3/8-16 x 2.5 inches) and flange nuts (3/8-16) through the side of the baffles and the bumper (Figure 6).

2. Install the front center baffle with 3 carriage bolts (3/8-16 x 7/8 inch) and flange nuts (3/8-16) as shown in Figure 3.
3. Install the rear outer baffles by using one carriage bolt (3/8-16 x 7/8 inch) and one flange nut (3/8-16) per baffle as shown in Figure 3.

Note: To help align the baffles, loosely insert the carriage bolts (3/8-16 x 2.5 inches) and flange nuts (3/8-16) through the side of the baffles and the bumper (Figure 6).

Note: The front outer baffles install between the rear-baffle tabs.

Note: The 72-inch model uses one carriage bolt (5/16-18 x 1 inch) and one flange nut (5/16-18) in the rear of the right-hand baffle, the left-hand baffle, and

the innermost square hole on the inboard tire flap on each side (Figure 3).

4. Install the rear center baffle using 2 carriage bolts (3/8-16 x 7/8 inch) and 2 locknuts (3/8-16) as shown in Figure 4.

Note: This baffle installs between the front outer baffle flanges (Figure 4).

Note: Where the front outer baffles, the rear outer baffles, and the rear center baffle come together, install 2 carriage bolts (3/8-16 x 7/8 inch) and the 2 locknuts (3/8-16) as shown in Figure 4.

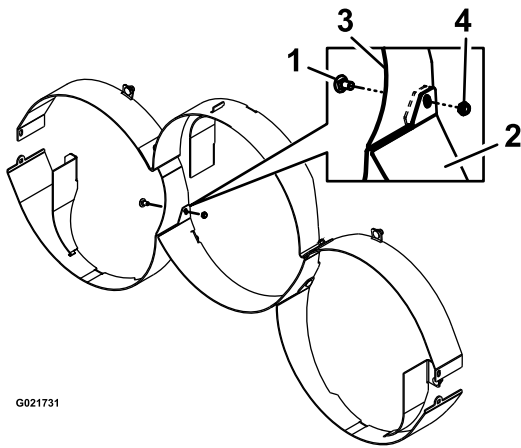


Figure 4

1. Carriage bolt (3/8-16 x 7/8 inch)
2. Rear center baffle
3. Front baffle flange
4. Locknut (3/8-16)

5. Tighten all of the hardware.
6. Using one carriage bolt (3/8-16 x 7/8 inch) and one flange nut (3/8-16), install the correct kicker baffle to each chamber (Figure 1).

Note: The hooked end of each kicker baffle attaches to the slot in the chamber baffle (Figure 5).

Note: You may need to loosen the mating baffle to allow the hooked end of the kicker baffle to fit correctly.

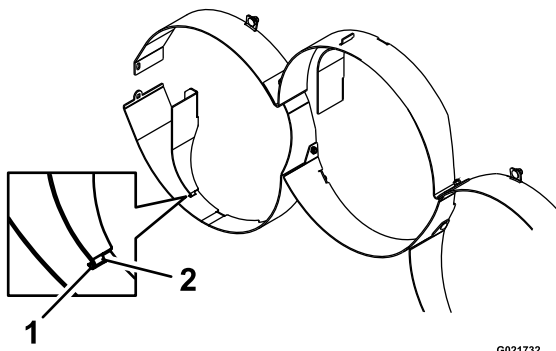


Figure 5

1. Slot
2. Hooked end

3

Securing the Bumpers and the Right and Left-hand Baffle to the Mower Deck

Parts needed for this procedure:

4	Carriage bolt (3/8-16 x 2.5 inches)
4	Flange nut (3/8-16)

Procedure

Note: You may need to loosen the mating baffle and kicker baffle to allow the bumper bolts to be installed.

1. Insert 2 carriage bolts (3/8-16 x 2.5 inches) on each side through the right and left-hand baffle and the bumpers (Figure 6).

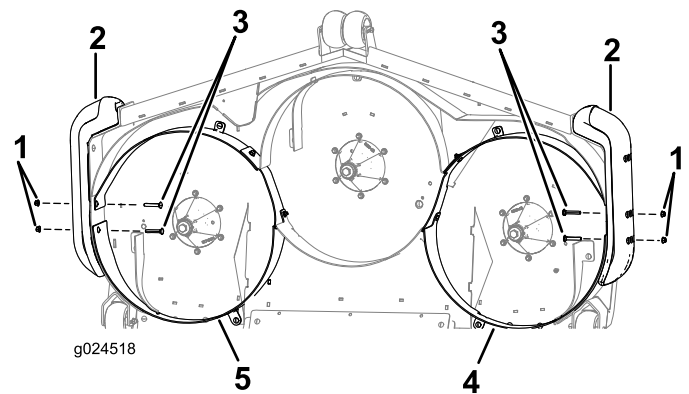


Figure 6

1. Flange nut (3/8-16)
2. Bumper
3. Carriage bolt (3/8-16 x 2.5 inches)
4. Left-hand baffle
5. Right-hand baffle

2. Secure the carriage bolts with 2 flange nuts (3/8-16) on each side (Figure 6).
3. Torque the carriage bolts and flange nuts to 12.4 to 14.7 N-m (110 to 130 in-lb).

4

Installing the Blades

Parts needed for this procedure:

1	20.5-inch rotary blade (red)—60-inch model only
2	20.5-inch low-flow blade (black)—60-inch model only
1	24.5-inch rotary blade (red)—72-inch model only
2	24.5-inch low-flow blade (black)—72-inch model only

Procedure

Note: Determine the left and right sides of the machine from the normal operating position.

Important: The right-hand blade on this mower deck is counter-rotating and uses a left-hand threaded blade bolt.

1. Install the red reverse-rotation blade onto the right-hand spindle (Figure 7).

Note: Ensure that the curved part of the blade is pointing upward toward the inside of the mower deck to ensure proper cutting.

Note: Ensure that the curved-washer cone is installed towards the bolt head (Figure 8).

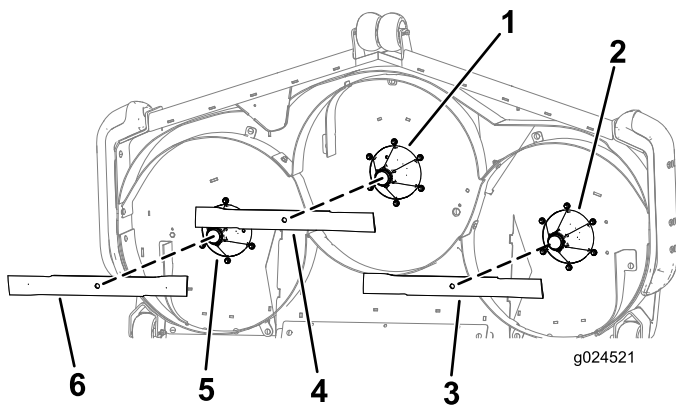
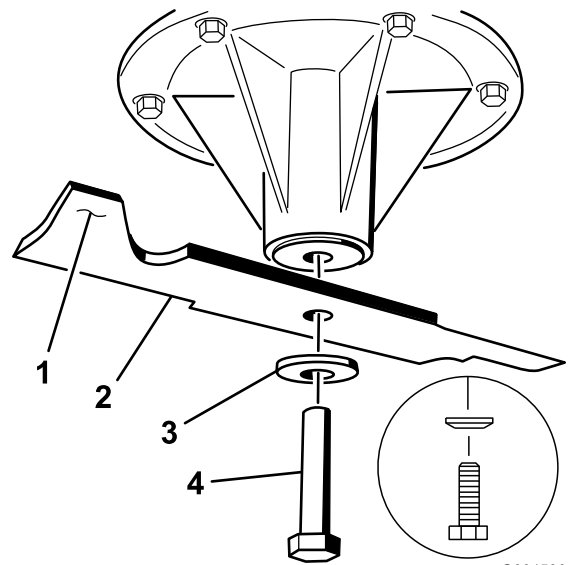


Figure 7

- | | |
|----------------------------|---------------------------|
| 1. Center spindle | 4. Center blade (black) |
| 2. Left-hand spindle | 5. Right-hand spindle |
| 3. Left-hand blade (black) | 6. Right-hand blade (red) |



G004536

Figure 8

Left and center spindle shown

- | | |
|---------------------------|------------------|
| 1. Sail area of the blade | 3. Curved washer |
| 2. Blade | 4. Blade bolt |
2. Install the 2 black blades onto the center and left-hand spindle (Figure 7).
 3. Torque the blade bolts to 115 to 150 N-m (85 to 110 ft-lb).

Note: Carefully and slowly rotate each blade 360° by hand to ensure that there is clearance between the blades and the baffles. Adjust the baffles slightly if interference is found.

⚠ WARNING

Incorrect installation of the blades or components used to retain the blades can be dangerous. Failure to use all of the original components and ensuring that everything is assembled as shown could allow a blade or a blade component to be thrown out from under the deck, resulting in serious personal injury or death.

Always install the blades and the blade-retaining hardware; refer to the *Operator's Manual*.

4. Carefully remove the jack stands and lower the machine to the ground.

5

Converting Back to Rear Discharge

No Parts Required

Procedure

1. Stop engine and wait for all moving parts to stop, engage the parking brake, remove the key, and disconnect the negative battery cable.
2. Remove the finish-cut baffles and the kicker baffles, and retain all of the hardware.
3. Replace the finish-cut blades with standard blades.
4. Install the 5/16-18 x 3/4-inch hex-socket screws and the flange nuts in the holes on top of the deck with the bolt head underneath.

Note: All open holes not covered by belt shields or the frame must be plugged to prevent sand and/or other small objects from being thrown up through the deck.

Notes:



Count on it.