



Count on it.

Parts Catalog

PT-46 Power Trowel

Model No. 68050—Serial No. 313000001 and Up



Ordering Replacement Parts

To order replacement parts, please supply the part number, the quantity, and the description of each part desired.

Understanding Reference Numbers

Each identified part in an illustration has a reference number. The reference number for a part also appears in the parts list, along with other information about the part.

This catalog uses two special reference number formats, one to indicate parts in a service assembly and another to indicate the quantity of a given part in an illustration.

Service Assembly Reference Numbers

Parts in service assemblies have reference numbers in the form a:b. The a represents the reference number of the entire service assembly and the b represents a sequential number unique to each part within the service assembly.

For example, a wheel assembly might be identified by reference number 6, the tire by 6:1, the valve by 6:2, and the wheel by 6:3. When you order the assembly identified by reference number 6, you receive all parts identified by reference numbers 6:1, 6:2, and 6:3. However, you may also order any part individually. Reference numbers of this type appear in illustration and in parts lists.

Reference Numbers Indicating Quantity

In an illustration, if a reference number indicates more than one part, the reference number has the form nX y. The n represents the quantity of the part, the X is the multiplication symbol, and the y represents the reference number.

For example, in an illustration, the reference number 2X 37 means that two of the parts identified by reference number 37 are indicated.

List of Abbreviations

AR: as required

ASM: assembly

BBC: blade brake control

BHTF: button head thread forming

CARR: carriage

CCW: counter clockwise

CW: clockwise

DEG: degrees

DPA: Dual Point Adjustment

ECM: electronic control module

EXT: external

FH: flat head

GA: gauge

HD: heavy-duty

HF: hex flange

HH: hex head

HHF: hex head flange

HHFTF: hex head flange thread forming

HJ: hex jam

HLH: hex lag head

HOC: height-of-cut

HSBH: hex socket button head

HSFH: hex socket flat head

HSH: hex socket head

HWH: hex washer head

HWHTF: hex washer head thread forming

HYD: hydraulic

LH: left hand

LP: Liquefied Petroleum Gas

LPG: Liquefied Petroleum Gas

NI: nylon insert

NPTF: national pipe thread fine

PFH: phillips flat head

PPH: phillips pan head

PPHTF: phillips pan head thread forming

PRH: phillips round head

PTH: phillips truss head

PTO: power-take-off

RH: right hand

ROPS: roll-over protection system

RRB: rear roller brush

SFH: slotted fillister head

SHH: slotted hex head

SHWH: slotted hex washer head

SPH: slotted pan head

SQH: square head

SRH: slotted round head

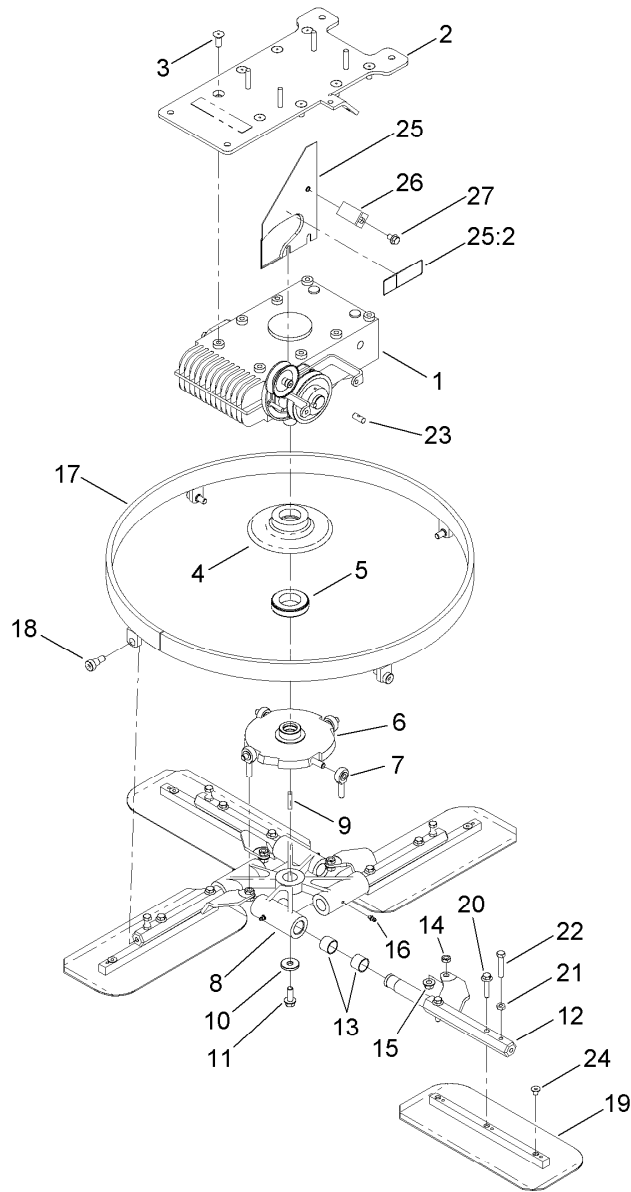
STD: standard

TAP: self tapping

TTH: torx truss head

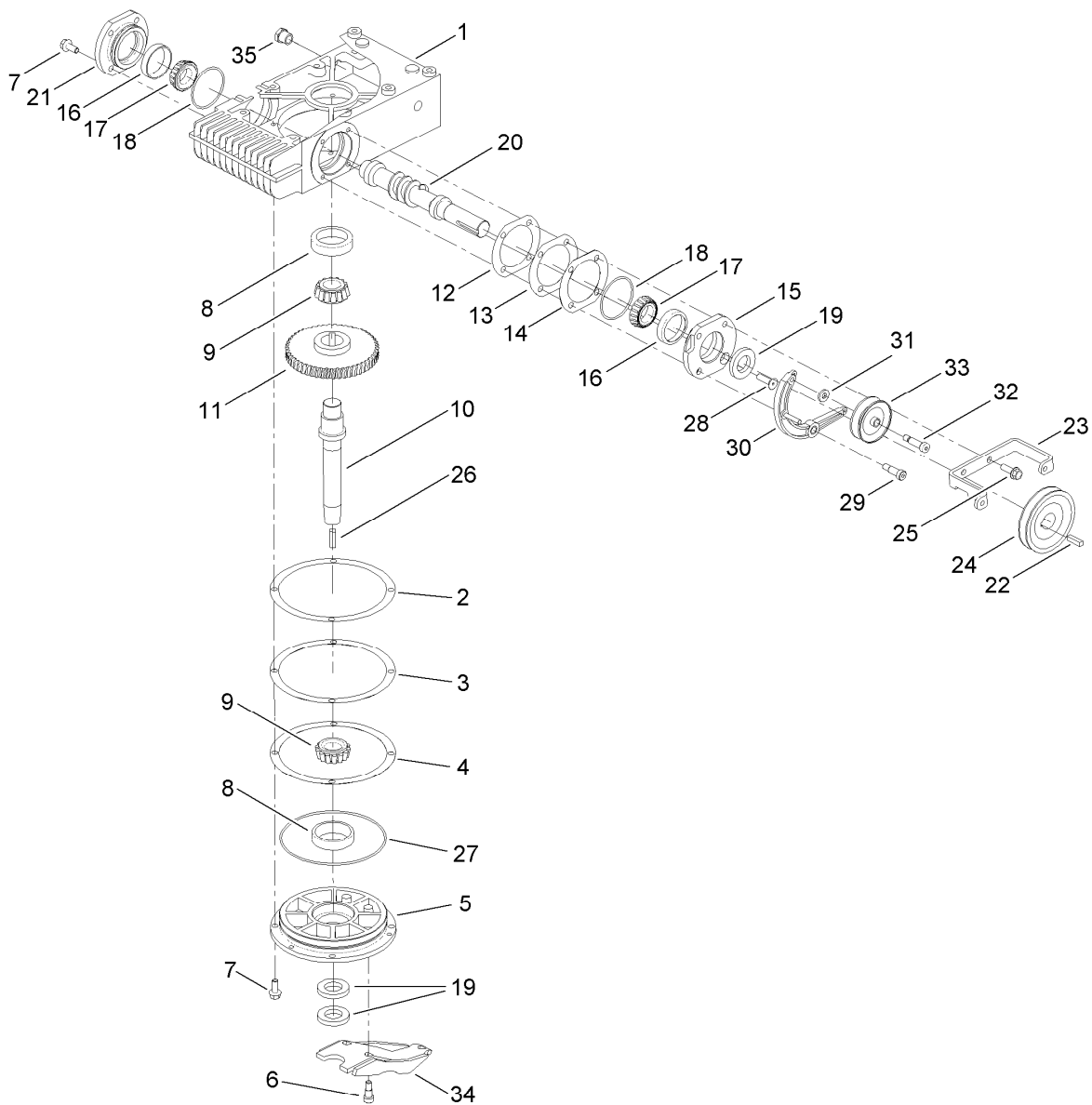
Contents

46 Inch Rotating Ring, Blade and Gearbox Assembly	4
Gearbox Assembly No. 125-4991	5
46 Inch Standard Handle and Guard Assembly	6
Standard Handle Assembly No. 125-4999	7
Engine Assembly	8



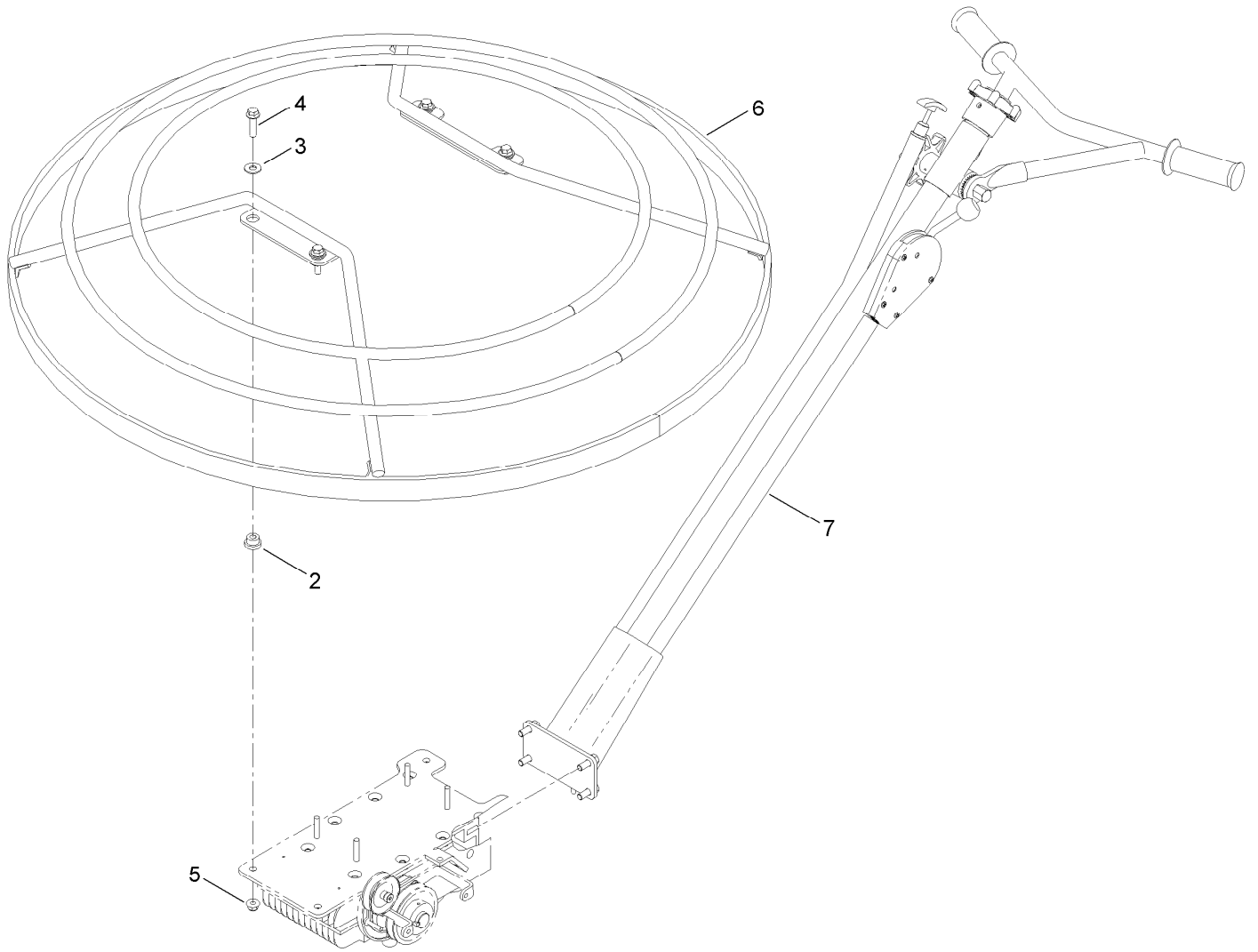
46 Inch Rotating Ring, Blade and Gearbox Assembly

<i>Ref.</i>	<i>Part Number</i>	<i>Qty.</i>	<i>Description</i>	<i>Ref.</i>	<i>Part Number</i>	<i>Qty.</i>	<i>Description</i>
1	125-4991	1	Gearbox ASM	15	54-9190	4	Nut-Lock
2	125-6248-01	1	Base-Engine	16	ST46042	4	Fitting-Grease
3	ST80068	8	Screw	17	ST22172-01	1	Rotating-Ring
4	ST22200-01	1	Cover-Plate, Thrust	18	ST80066	4	Screw-HSBH
5	ST32123	1	Bearing-Ball	19	125-4996	4	Blade-Combination
6	ST21684	1	Plate-Tilt	20	115-1794	8	Screw-HHF
7	ST32124	4	Rod-End	21	3218-2	4	Nut-Jam
8	ST28283-01	1	Spider-4 Arm	22	322-41	4	Screw-HH
9	79-3370	1	Key	23	ST28022	1	Cable-Tilt, Pivot
10	ST28435	1	Washer-Flat	24	ST47183	4	Carplug-Red
11	3234-42	1	Screw-HHF	25	127-2802	1	Rear Belt Guard ASM
12	ST22184-01	4	Arm	25:2	117-4979	1	Decal-Warning, Shields
13	ST32180	8	Bushing-Sleeve, Nylon	26	ST28431-01	1	Guide-Belt
14	3220-3	4	Nut-HJ	27	100-1719	1	Screw-Flange



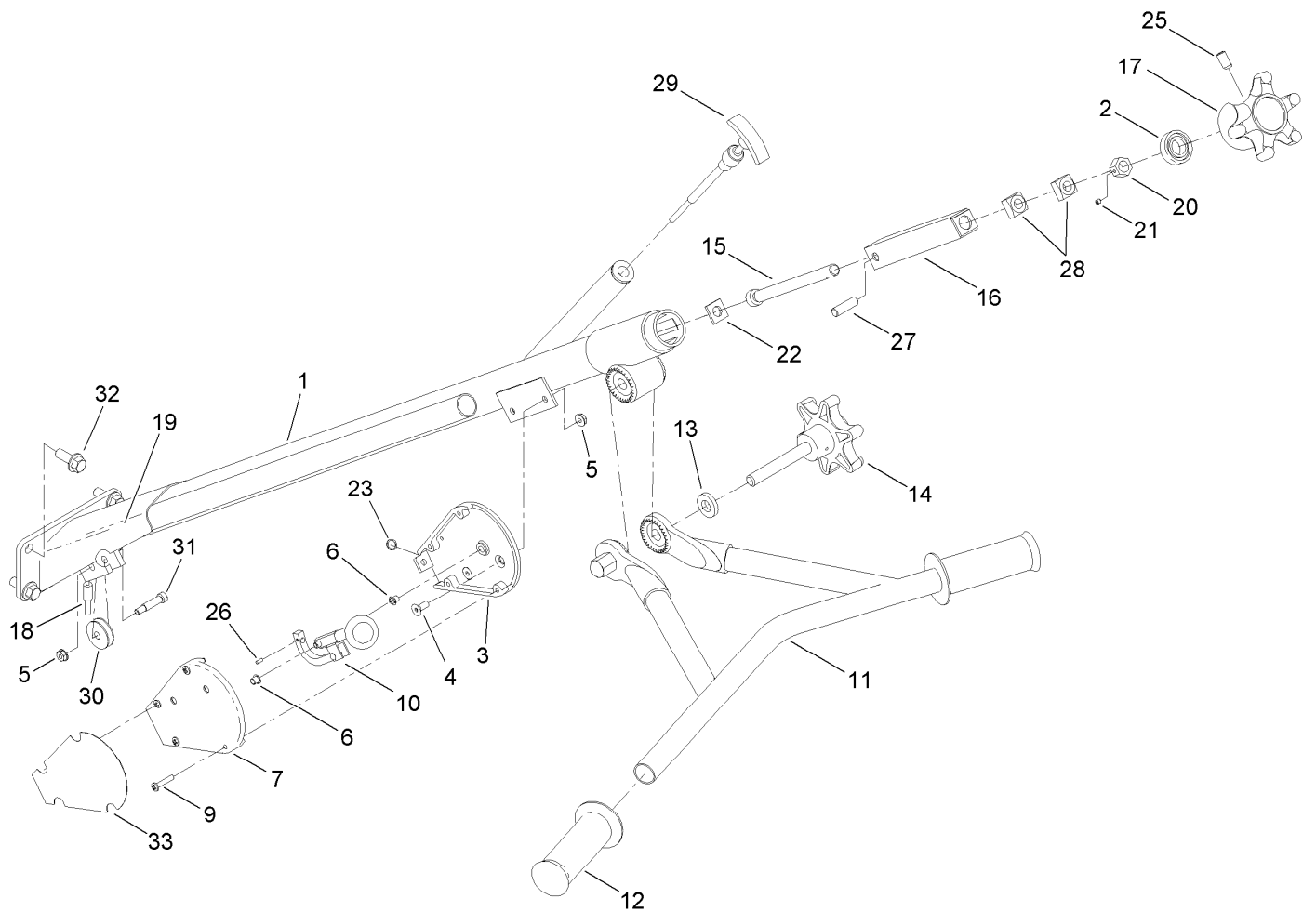
Gearbox Assembly No. 125-4991

Ref.	Part Number	Qty.	Description	Ref.	Part Number	Qty.	Description
1	ST39547	1	Gearcase	16	254-72	2	Bearing-Cup, Tapered
2	ST47333	1	Shim-Cover, Bottom (.001 Inch)	17	254-94	2	Bearing-Cone, Tapered
3	ST47334	1	Shim-Cover, Bottom (.005 Inch)	18	ST32271	2	O-Ring
4	ST47335	5	Shim-Cover, Bottom (.010 Inch)	19	ST39014	3	Seal-Shaft
5	ST42720	1	Cap-Bearing, Bottom	20	ST42712	1	Shaft-Input
6	ST80285	2	Screw-HSBH	21	ST42719	1	Cover-Bearing, Blind End
7	3234-47	8	Screw-HHF	22	5-7280	1	Key
8	127-5561	2	Bearing-Cup	23	ST42787-01	1	Bracket-Guard, Belt [red]
9	127-5560	2	Bearing-Cone	24	ST34835	1	Sheave
10	ST42715	1	Shaft-Output	25	3234-17	2	Screw-HHF
11	ST39009	1	Gear-Worm	26	ST80744	1	Key-Hardened
12	ST47336	1	Shim-Cover, Side (.001 Inch)	27	ST32272	1	O-Ring
13	ST47337	1	Shim-Cover, Side (.005 Inch)	28	ST80105	1	Screw
14	ST47338	5	Shim-Cover, Side (.010 Inch)	29	119-6915	1	Screw-Shoulder, HSH
15	ST42718	1	Cover-Bearing, Sheave End	30	127-1662	1	Clutch Lever ASM
				31	105-5769	1	Washer
				32	114-8629	1	Bolt-Shoulder
				33	ST35203	1	Pulley-Idler
				34	125-8707	1	Lever-Tilt
				35	ST34096	1	Plug-Sight, Oil



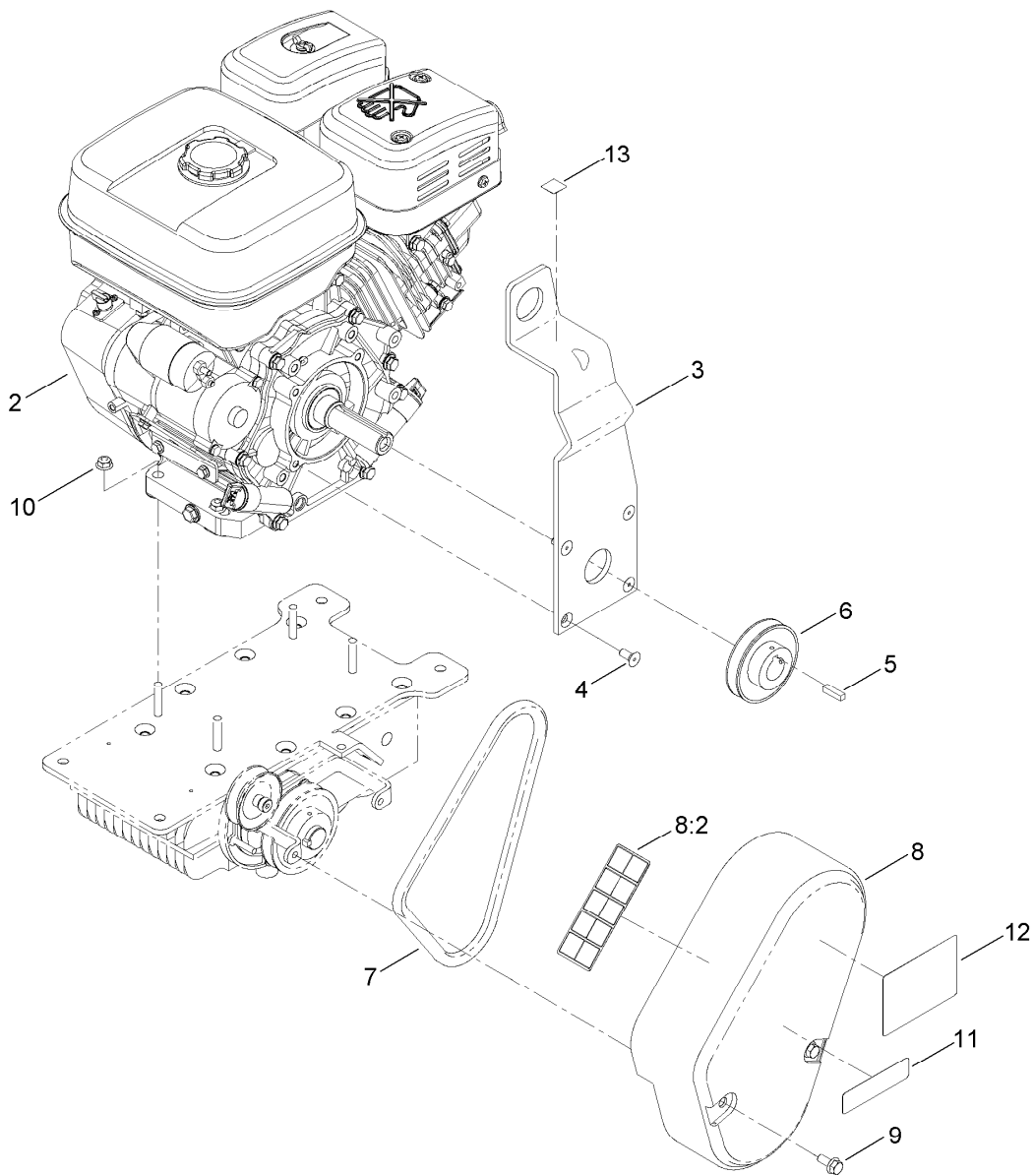
46 Inch Standard Handle and Guard Assembly

<i>Ref.</i>	<i>Part Number</i>	<i>Qty.</i>	<i>Description</i>
2	ST47355	4	Mount-Shock
3	3256-4	4	Washer-Flat
4	114-4681	4	Screw-HHF
5	104-8301	4	Nut-Flange, NI
6	ST22900-01	1	Guard-Stationary
7	125-4999	1	Handle-Standard



Standard Handle Assembly No. 125-4999

Ref.	Part Number	Qty.	Description	Ref.	Part Number	Qty.	Description
1	ST22169-01	1	Handle-Main	18	ST34795	1	Cable-Tilt
2	ST32118	1	Bearing-Ball	19	ST35202	1	Clutch Cable ASM
3	ST27353	1	Housing-Clutch, Dyna	20	ST42530	1	Nut-Lock, Tilt
4	3274-47	2	Screw-HSFH	21	ST81156	1	Screw-HSH, Set
5	32149-2	3	Nut-Keps	22	ST47185	1	Washer-Square
6	ST32117	2	Bushing-Flange	23	ST80069	1	Ring-External
7	ST27355	1	Cover-Clutch	25	ST80261	1	Screw-HSH, Set
9	ST80070	4	Screw-PPH	26	ST80305	1	Pin
10	ST21977	1	Lever Dyna ASM	27	ST80321	1	Pin
11	ST21843-01	1	Handle-Adjustment	28	3290-510	2	Nut-Square
12	ST47125	2	Grip-Handle	29	ST35346	1	Cable ASM
13	ST80125	1	Washer-Flat	30	ST36767	1	Pulley-Pivot
14	ST21844	1	Knob-Adjustment	31	ST80275	1	Screw-HSBH
15	ST22239	1	Rod-Tilt	32	3234-42	4	Screw-HHF
16	ST22244-01	1	Block-Tilt	33	125-4934	1	Decal-Dyna Clutch
17	ST27360	1	Handle-Tilt, Blade				



Engine Assembly

Ref.	Part Number	Qty.	Description
2	125-4814	1	Engine-Honda, Gx240 ●
3	ST28683-01	1	Eye-Lift
4	ST80171	4	Screw
5	ST80674	1	Key-Square
6	ST34834	1	Sheave
7	ST35333	1	Belt-V
8	127-2801	1	Belt Guard ASM
8:2	125-4933	1	Decal-Warning, Power Trowel
9	3234-47	2	Screw-HHF
10	104-8300	4	Nut-Flange, NI
11	125-4932	1	Decal
12	105-6971	1	Decal
13	93-9084	1	Decal-Point, Lift

● Obtain parts from www.honda-engines.com

Notes:

Notes:

Notes:



Count on it.