



**Count on it.**

**Parts Catalog**

**CM-958H-S Concrete Mixer**

Model No. 68006C—Serial No. 313000001 and Up



# Ordering Replacement Parts

To order replacement parts, please supply the part number, the quantity, and the description of each part desired.

## Understanding Reference Numbers

Each identified part in an illustration has a reference number. The reference number for a part also appears in the parts list, along with other information about the part.

This catalog uses two special reference number formats, one to indicate parts in a service assembly and another to indicate the quantity of a given part in an illustration.

## Service Assembly Reference Numbers

Parts in service assemblies have reference numbers in the form a:b. The a represents the reference number of the entire service assembly and the b represents a sequential number unique to each part within the service assembly.

For example, a wheel assembly might be identified by reference number 6, the tire by 6:1, the valve by 6:2, and the wheel by 6:3. When you order the assembly identified by reference number 6, you receive all parts identified by reference numbers 6:1, 6:2, and 6:3. However, you may also order any part individually. Reference numbers of this type appear in illustration and in parts lists.

## Reference Numbers Indicating Quantity

In an illustration, if a reference number indicates more than one part, the reference number has the form nX y. The n represents the quantity of the part, the X is the multiplication symbol, and the y represents the reference number.

For example, in an illustration, the reference number 2X 37 means that two of the parts identified by reference number 37 are indicated.

# List of Abbreviations

**AR:** as required

**ASM:** assembly

**BBC:** blade brake control

**BHTF:** button head thread forming

**CARR:** carriage

**CCW:** counter clockwise

**CW:** clockwise

**DEG:** degrees

**DPA:** Dual Point Adjustment

**ECM:** electronic control module

**EXT:** external

**FH:** flat head

**GA:** gauge

**HD:** heavy-duty

**HF:** hex flange

**HH:** hex head

**HHF:** hex head flange

**HHFTF:** hex head flange thread forming

**HJ:** hex jam

**HLH:** hex lag head

**HOC:** height-of-cut

**HSBH:** hex socket button head

**HSFH:** hex socket flat head

**HSH:** hex socket head

**HWH:** hex washer head

**HWHTF:** hex washer head thread forming

**HYD:** hydraulic

**LH:** left hand

**LP:** Liquefied Petroleum Gas

**LPG:** Liquefied Petroleum Gas

**NI:** nylon insert

**NPTF:** national pipe thread fine

**PFH:** phillips flat head

**PPH:** phillips pan head

**PPHTF:** phillips pan head thread forming

**PRH:** phillips round head

**PTH:** phillips truss head

**PTO:** power-take-off

**RH:** right hand

**ROPS:** roll-over protection system

**RRB:** rear roller brush

**SFH:** slotted fillister head

**SHH:** slotted hex head

**SHWH:** slotted hex washer head

**SPH:** slotted pan head

**SQH:** square head

**SRH:** slotted round head

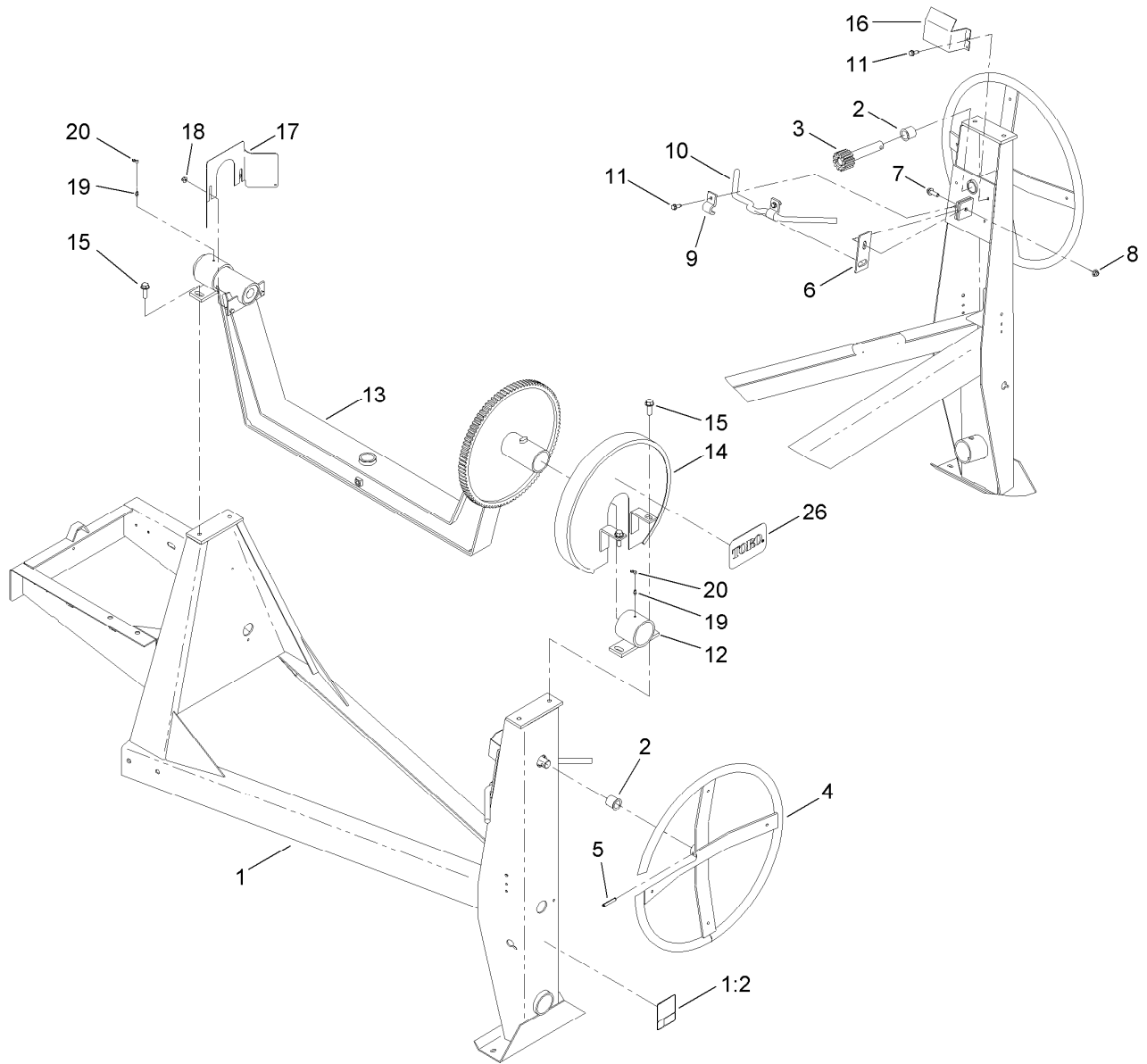
**STD:** standard

**TAP:** self tapping

**TTH:** torx truss head

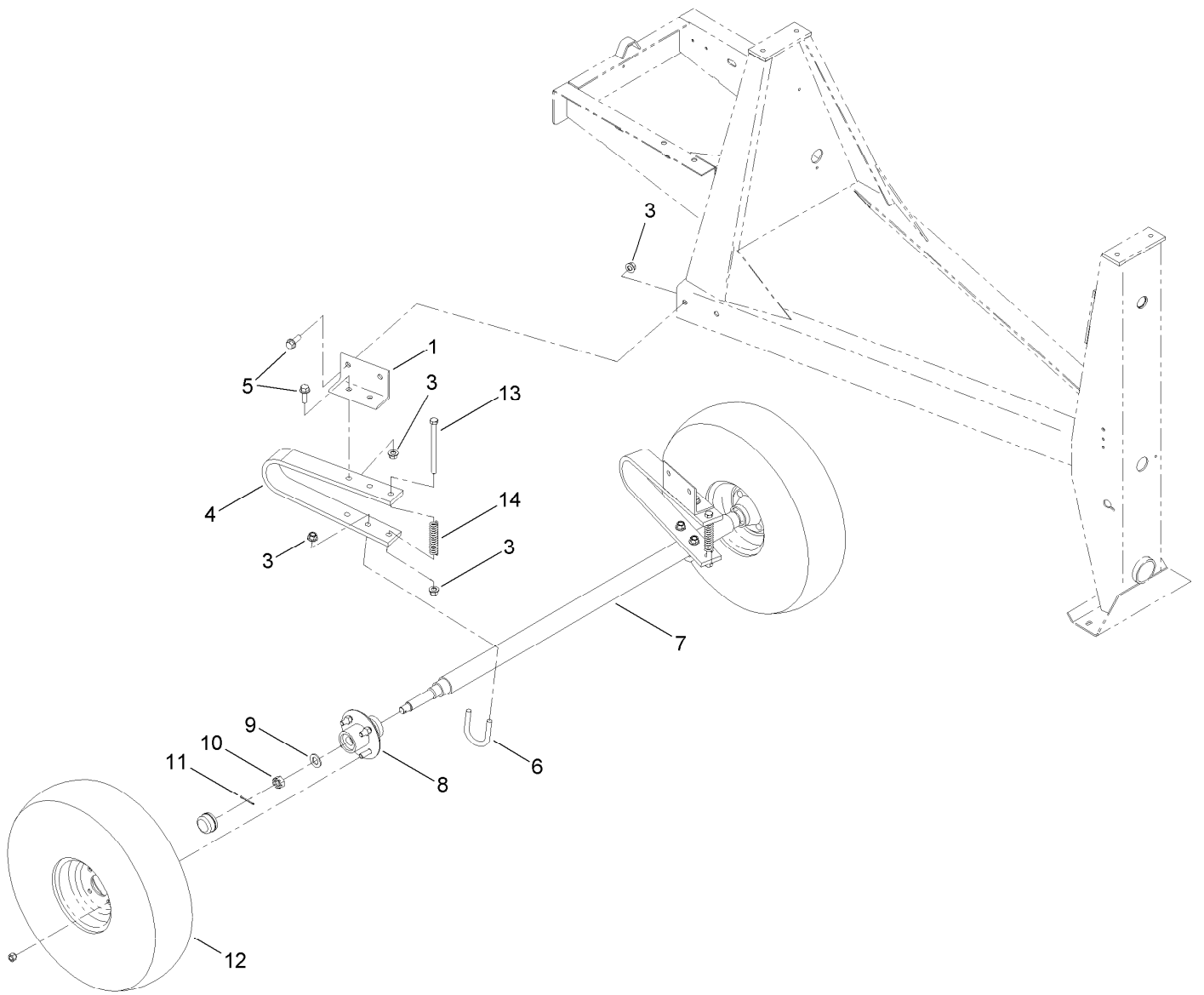
# Contents

Frame and Yoke Assembly .....	4
Axle Assembly .....	5
Hub Assembly No. 125-8171 .....	6
Engine and Drive Assembly .....	7
Drum Assembly .....	8
Cowl Assembly .....	9
Trailer Light Assembly .....	10
Attachments and Accessories .....	11



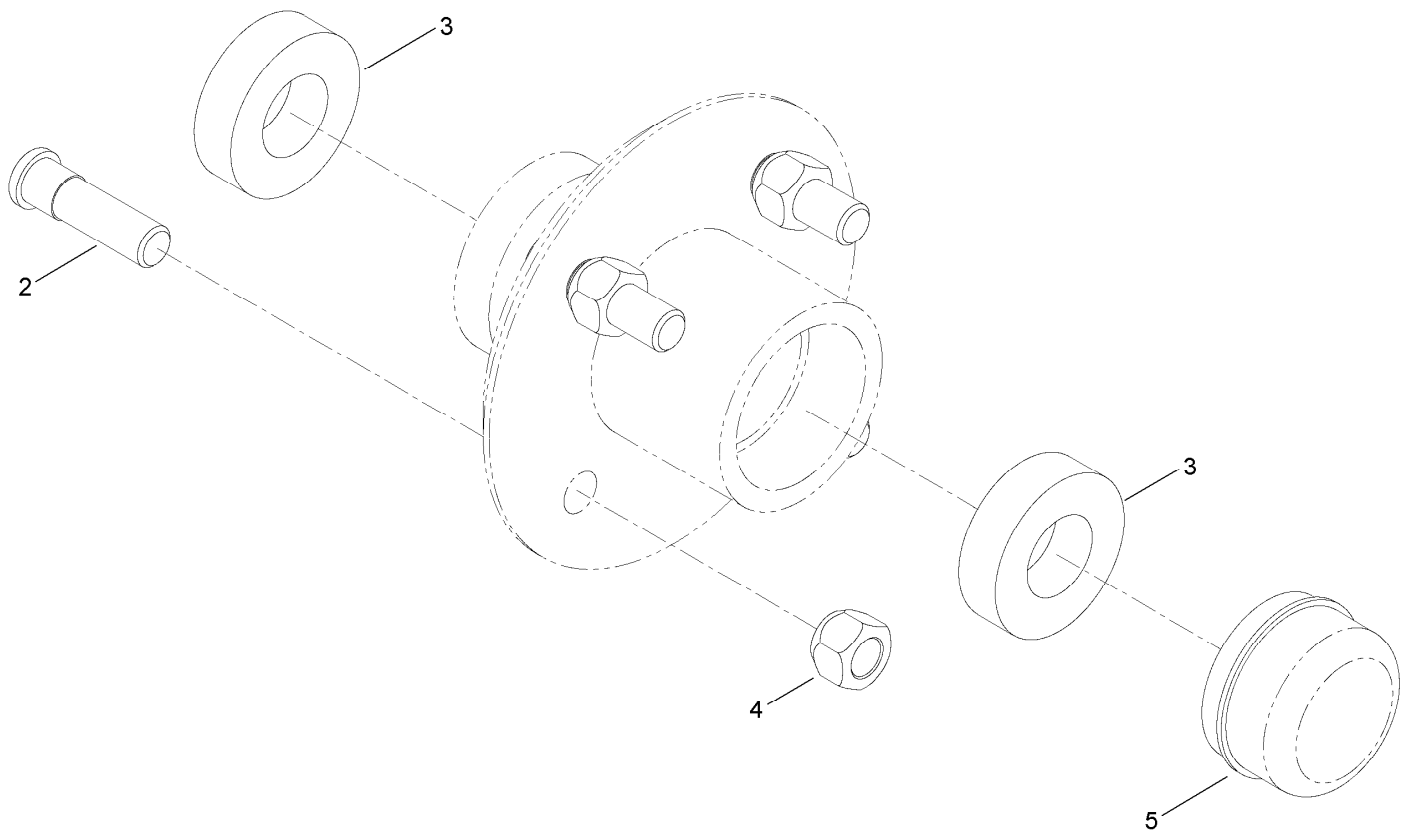
## Frame and Yoke Assembly

Ref.	Part Number	Qty.	Description	Ref.	Part Number	Qty.	Description
1	127-2814	1	Frame ASM	11	701243	4	Screw-HWHTF
1:2	125-8216	1	Decal-Safety Chain, Towing	12	ST24349-03	2	Trunnion
2	ST32032	2	Bushing-Nylon	13	125-6308	1	Yoke ASM
3	ST22029	1	Shaft-Tilt	14	ST27617-03	1	Guard-Brake, Upper
4	ST22096-03	1	Handwheel	15	ST80031	4	Screw-HWH
5	32121-27	1	Pin-Roll	16	ST27618-03	1	Guard-Brake, Lower
6	ST27619-03	1	Dog-Brake	17	ST27144-03	1	Guard-Pinion
7	3234-24	1	Screw-HHF	18	104-8300	2	Nut-Flange, NI
8	104-8301	1	Nut-Flange, NI	19	ST46042	2	Fitting-Grease
9	ST27559-03	1	Bracket-Handle	20	ST47001	2	Cap-Plug
10	ST27621-03	1	Handle-Brake	26	99-4693	1	Decal



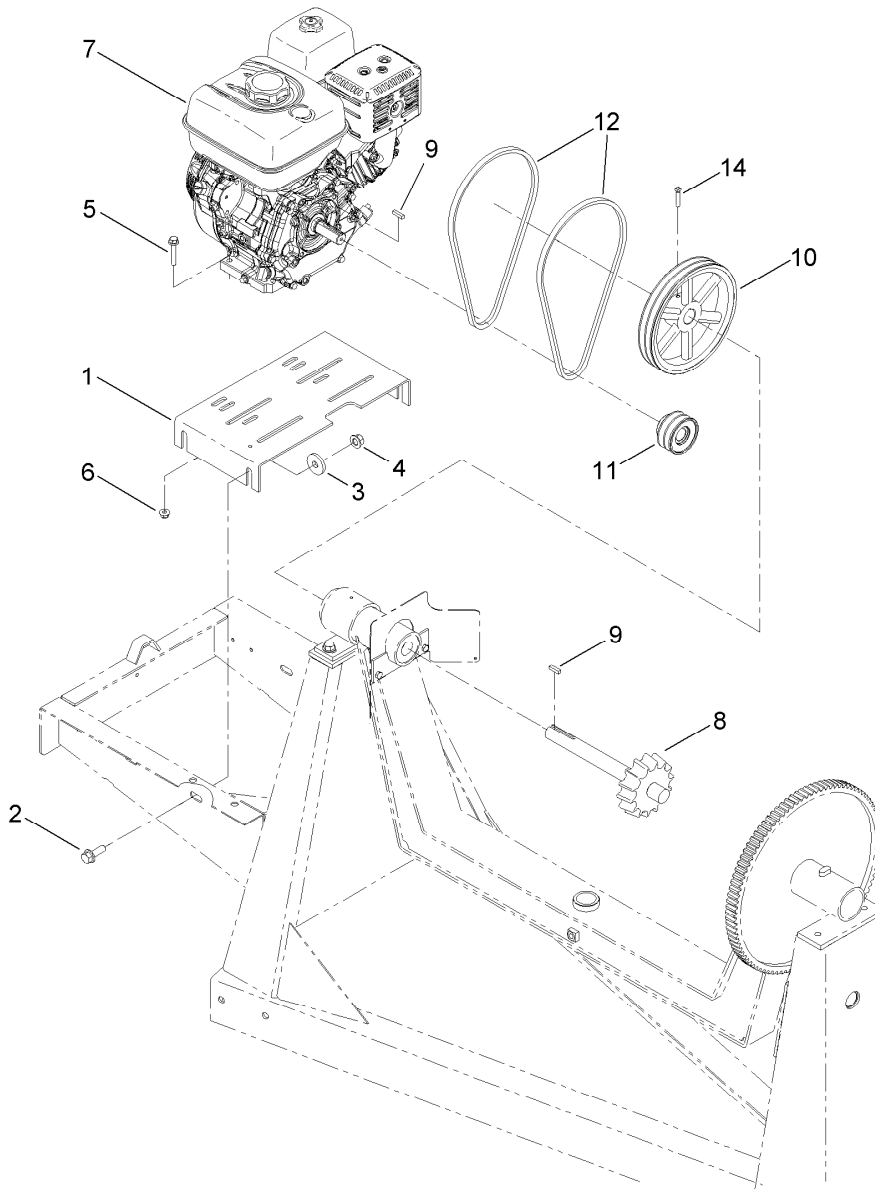
## Axle Assembly

<b>Ref.</b>	<b>Part Number</b>	<b>Qty.</b>	<b>Description</b>
1	ST26949-03	2	Bracket-Axle, Spring
3	99-5107	14	Nut-Lock
4	ST26971	2	Spring-Leaf
5	100-6116	8	Screw-HHF
6	ST26195	2	Bolt-U
7	ST21460-03	1	Axle-Spring
8	125-8171	2	Hub ASM
9	3256-28	2	Washer-Flat
10	ST80054	2	Nut
11	3272-13	2	Pin-Cotter
12	ST32307	2	Tire And Rim ASM
13	325-33	2	Screw-HH
14	ST34972	2	Spring-Coil



## Hub Assembly No. 125-8171

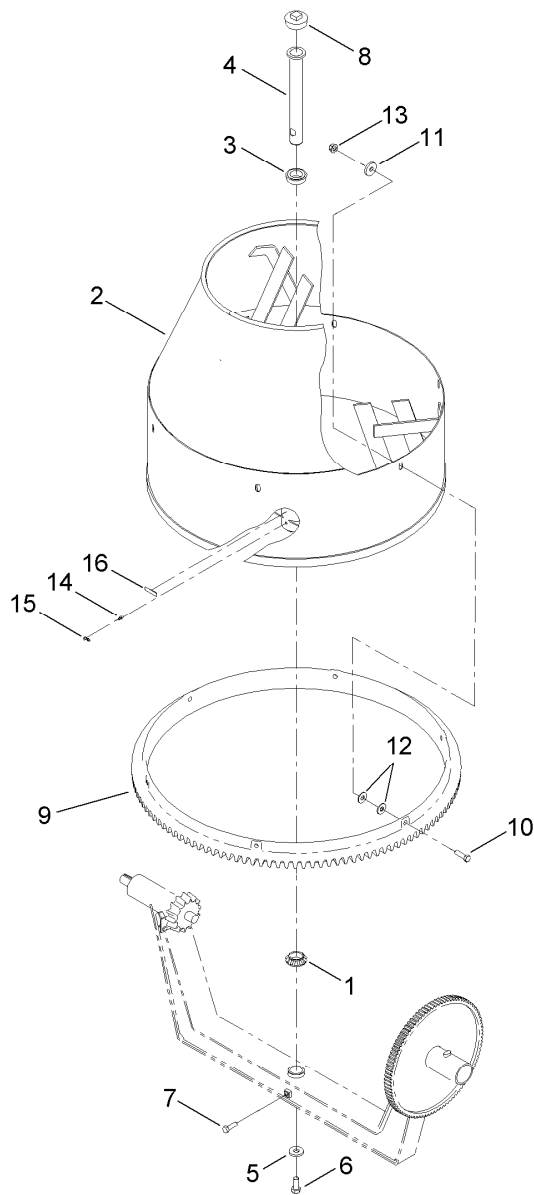
<i>Ref.</i>	<i>Part Number</i>	<i>Qty.</i>	<i>Description</i>
2	ST39190	4	Stud-Wheel
3	ST32233	2	Bearing-Roller
4	ST80045	4	Nut-Lug
5	ST34573	1	Cap-Dust



## Engine and Drive Assembly

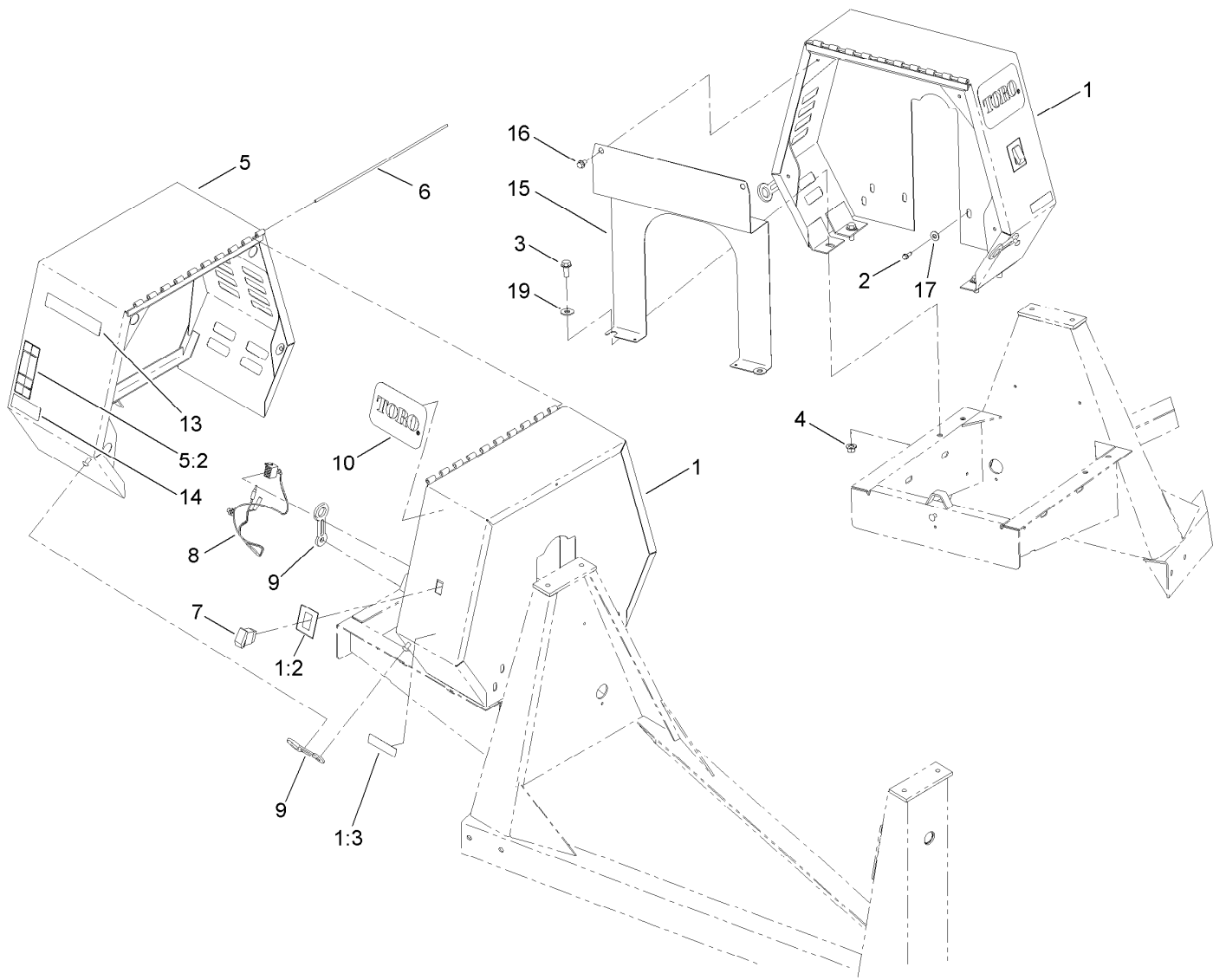
<i>Ref.</i>	<i>Part Number</i>	<i>Qty.</i>	<i>Description</i>
1	ST28045-03	1	Base-Motor
2	100-6116	4	Screw-HHF
3	ST26326	4	Washer-Flat
4	99-5107	4	Nut-Lock
5	108-3742	4	Screw-HHF
6	104-8301	4	Nut-Flange, NI
7	125-4812	1	Engine-Honda, Gx240 ●
8	ST21487	1	Shaft-Drive
9	5-7280	2	Key
10	ST34986-03	1	Sheave
11	ST34984	1	Sheave
12	127-0075	2	Belt-V
14	909546	2	Screw-Set, SQH

● Obtain parts from [www.honda-engines.com](http://www.honda-engines.com)



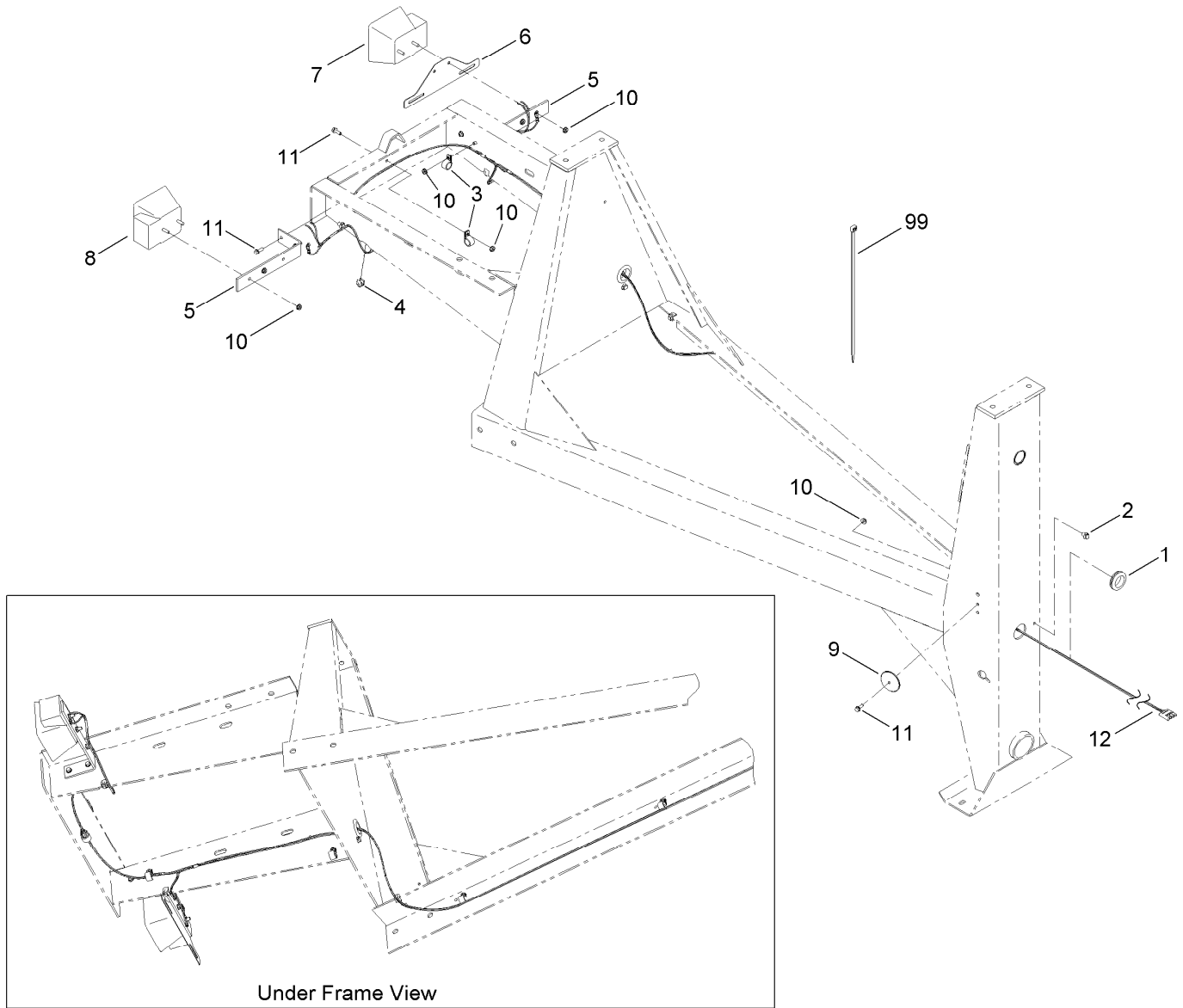
## Drum Assembly

<i>Ref.</i>	<i>Part Number</i>	<i>Qty.</i>	<i>Description</i>	<i>Ref.</i>	<i>Part Number</i>	<i>Qty.</i>	<i>Description</i>
1	ST32161	1	Bearing-Roller	9	ST26317-01	1	Gear-Ring
2	125-6306-01	1	Drum	10	325-7	6	Screw-HH
3	ST32086	1	Bearing	11	ST26326	6	Washer-Flat
4	ST27267	1	Spindle	12	3256-6	12	Washer-Flat
5	ST27413	1	Washer-Flat	13	99-5107	6	Nut-Lock
6	327-4	1	Screw-HH	14	ST46057	1	Fitting
7	325-6	1	Screw-HH	15	ST47001	1	Cap-Plug
8	ST46022	1	Plug	16	125-8175	1	Decal-Grease



## Cowl Assembly

Ref.	Part Number	Qty.	Description	Ref.	Part Number	Qty.	Description
1	127-2811	1	Stationary Cowl ASM	8	125-4877	1	Harness-Wire, Mixer
1:2	125-4940	1	Decal-Engine Stop	9	ST47182	3	Latch-Rubber
1:3	117-2718	1	Decal-Arrester, Spark	10	67-7320	2	Decal
2	701243	2	Screw-HWHTF	13	125-4937	2	Decal
3	3234-38	4	Screw-HHF	14	125-4942	1	Decal
4	99-5107	4	Nut-Lock	15	125-8218-03	1	Plate-Engine
5	127-1685	1	Movable Cowl ASM	16	110-9380	2	Screw-HWH
5:2	125-4939	1	Decal-Warning	17	3256-4	2	Washer-Flat
6	ST44368	1	Pin	19	3256-6	2	Washer-Flat
7	95-8999	1	Switch				



## Trailer Light Assembly

Ref.	Part Number	Qty.	Description
1	120-4831	2	Grommet
2	32180-030	2	Clip-Tie
3	2412-87	7	Clamp-Cable
4	32180-078	3	Clip-Edge W/Tie, Parallel
5	ST36003-03	2	Bracket-Universal
6	125-8659-03	1	Plate-License Holder
7	120-3735	1	Light-Tail, LH
8	120-3734	1	Light-Tail, RH
9	104-6962	2	Reflector-Amber
10	32149-2	15	Nut-Keps
11	115-5103	11	Screw-HHF
12	121-6591	1	Harness-Wire, Trailer Lights
99	3290-379	5	Tie-Cable

# Attachments and Accessories

## For 68006C CM-958H-S Concrete Mixer

Product Name	Model/Part
31 inch Forged Tow Pole Hitch .....	68056
31 inch Pintel Tow Pole Hitch .....	68058
31 inch Stamped Tow Pole Hitch .....	68060



**Count on it.**