



Count on it.

Parts Catalog

CM-958H-P Concrete Mixer

Model No. 68009—Serial No. 313000001 and Up



Ordering Replacement Parts

To order replacement parts, please supply the part number, the quantity, and the description of each part desired.

Understanding Reference Numbers

Each identified part in an illustration has a reference number. The reference number for a part also appears in the parts list, along with other information about the part.

This catalog uses two special reference number formats, one to indicate parts in a service assembly and another to indicate the quantity of a given part in an illustration.

Service Assembly Reference Numbers

Parts in service assemblies have reference numbers in the form a:b. The a represents the reference number of the entire service assembly and the b represents a sequential number unique to each part within the service assembly.

For example, a wheel assembly might be identified by reference number 6, the tire by 6:1, the valve by 6:2, and the wheel by 6:3. When you order the assembly identified by reference number 6, you receive all parts identified by reference numbers 6:1, 6:2, and 6:3. However, you may also order any part individually. Reference numbers of this type appear in illustration and in parts lists.

Reference Numbers Indicating Quantity

In an illustration, if a reference number indicates more than one part, the reference number has the form nX y. The n represents the quantity of the part, the X is the multiplication symbol, and the y represents the reference number.

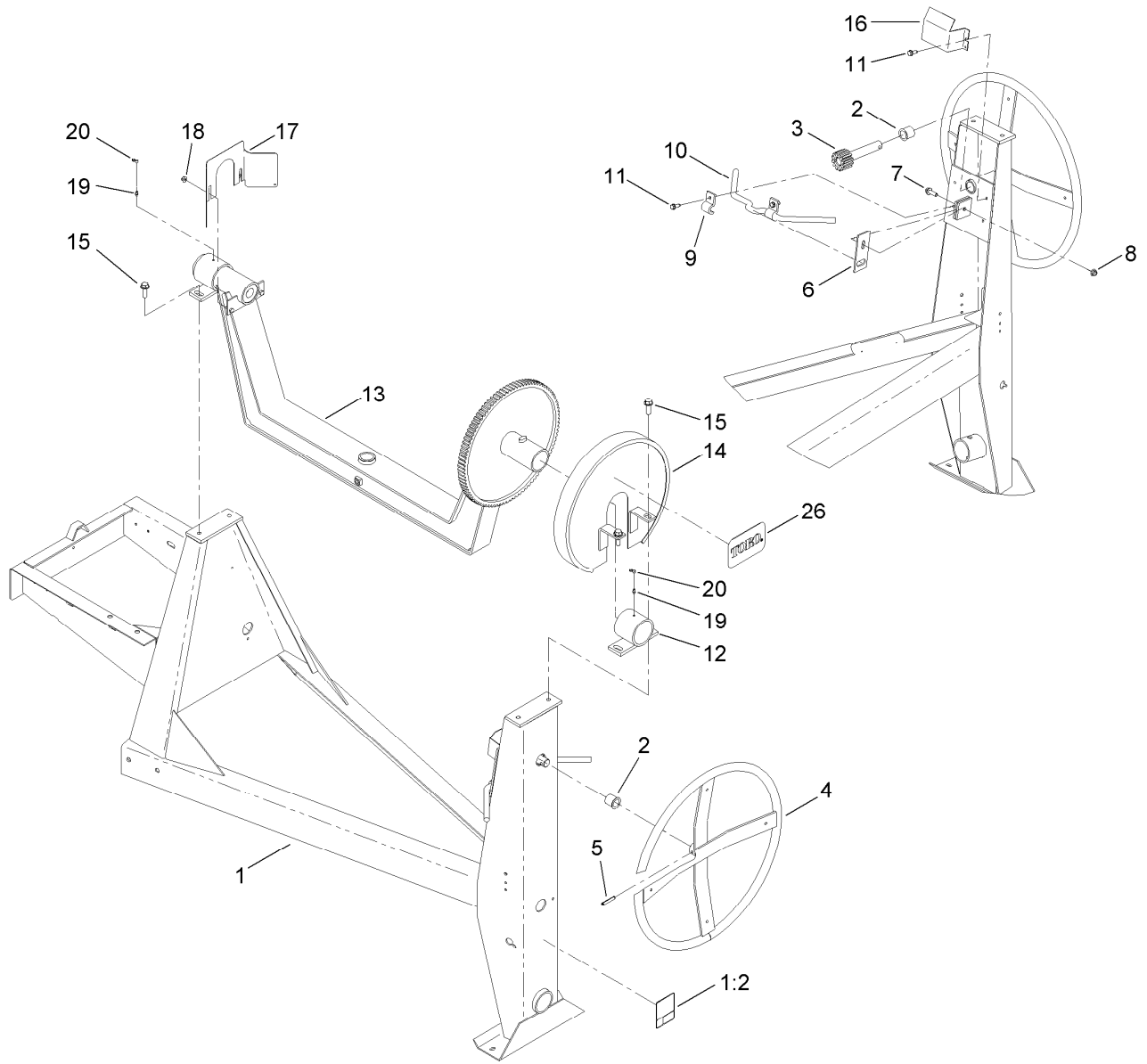
For example, in an illustration, the reference number 2X 37 means that two of the parts identified by reference number 37 are indicated.

List of Abbreviations

AR: as required	HLH: hex lag head	PTO: power-take-off
ASM: assembly	HOC: height-of-cut	RH: right hand
BBC: blade brake control	HSBH: hex socket button head	ROPS: roll-over protection system
BHTF: button head thread forming	HSFH: hex socket flat head	RRB: rear roller brush
CARR: carriage	HSH: hex socket head	SFH: slotted fillister head
CCW: counter clockwise	HWH: hex washer head	SHH: slotted hex head
CW: clockwise	HWHTF: hex washer head thread forming	SHWH: slotted hex washer head
DEG: degrees	HYD: hydraulic	SPH: slotted pan head
DPA: Dual Point Adjustment	LH: left hand	SQH: square head
ECM: electronic control module	LP: Liquefied Petroleum Gas	SRH: slotted round head
EXT: external	LPG: Liquefied Petroleum Gas	STD: standard
FH: flat head	NI: nylon insert	TAP: self tapping
GA: gauge	NPTF: national pipe thread fine	TTH: torx truss head
HD: heavy-duty	PFH: phillips flat head	
HF: hex flange	PPH: phillips pan head	
HH: hex head	PPHTF: phillips pan head thread forming	
HHF: hex head flange	PRH: phillips round head	
HHFTF: hex head flange thread forming	PTH: phillips truss head	
HJ: hex jam		

Contents

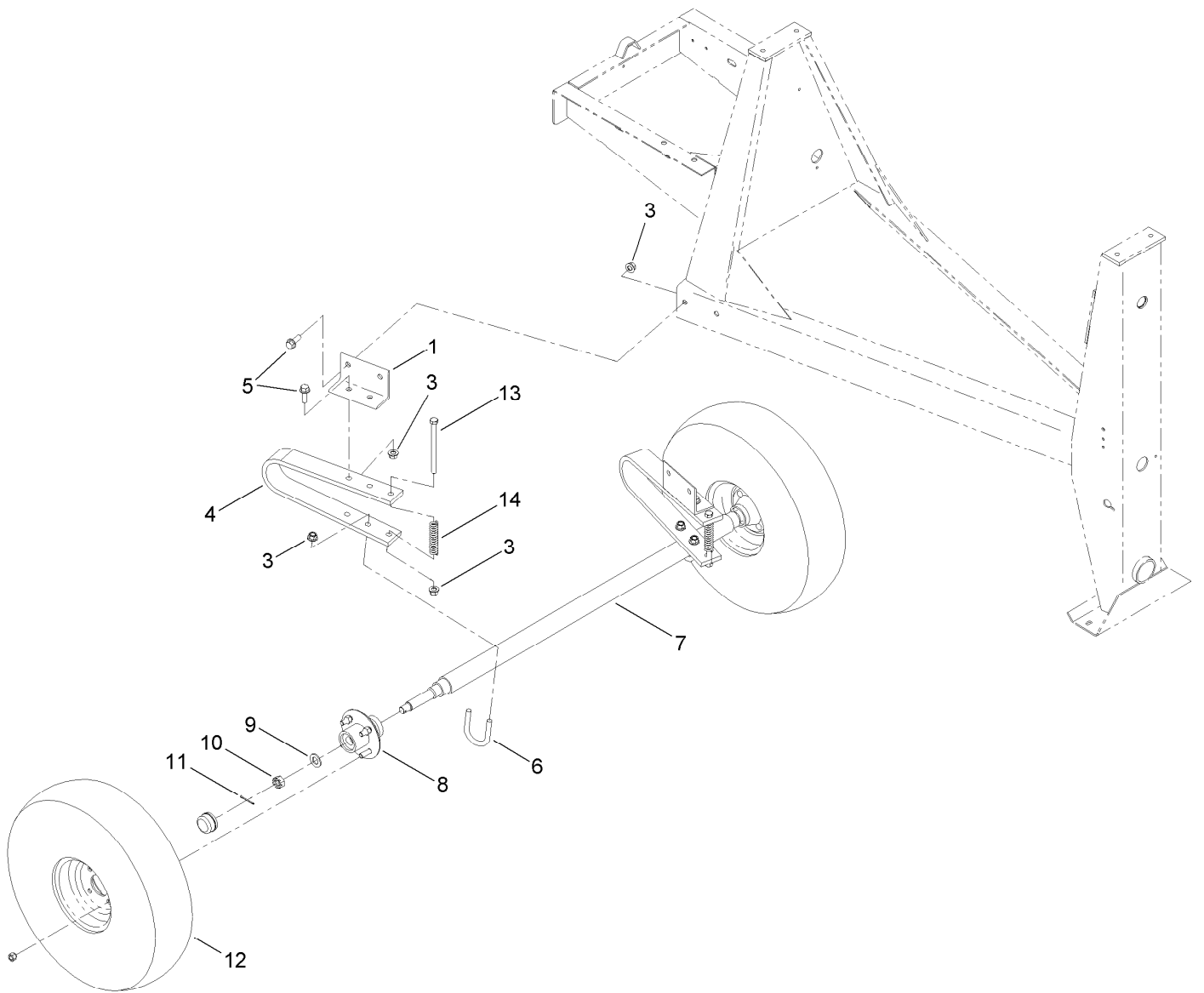
Frame and Yoke Assembly	4
Axle Assembly	5
Hub Assembly No. 125-8171	6
Engine and Drive Assembly	7
Drum Assembly	8
Cowl and Decal Assembly	9
Attachments and Accessories	10



Frame and Yoke Assembly

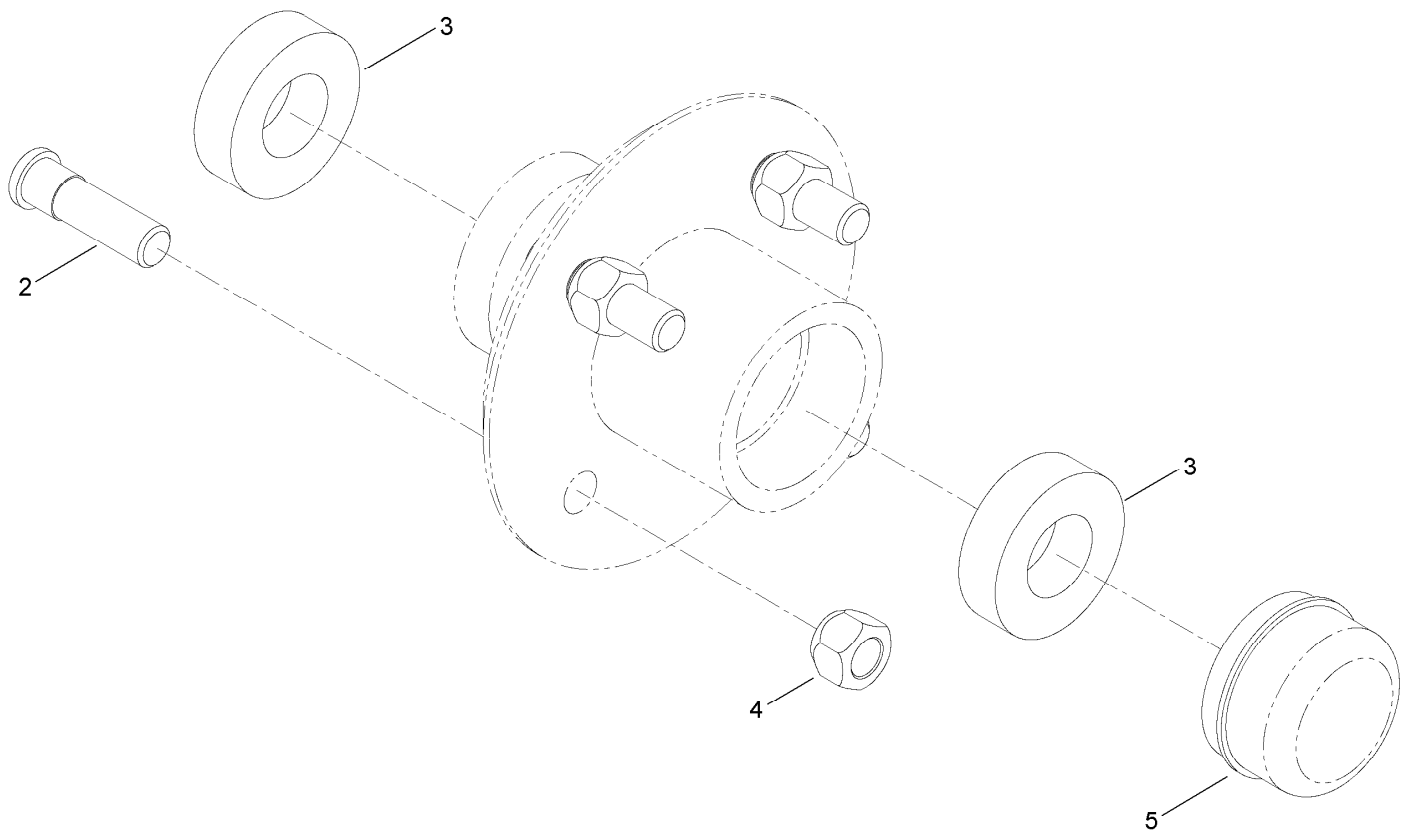
<i>Ref.</i>	<i>Part Number</i>	<i>Qty.</i>	<i>Description</i>
1	127-2814	1	Frame ASM
1:2	125-8216	1	Decal-Safety Chain, Towing
2	ST32032	2	Bushing-Nylon
3	ST22029	1	Shaft-Tilt
4	ST22096-03	1	Handwheel
5	32121-27	1	Pin-Roll
6	ST27619-03	1	Dog-Brake
7	3234-24	1	Screw-HHF
8	104-8301	1	Nut-Flange, NI
9	ST27559-03	1	Bracket-Handle
10	ST27621-03	1	Handle-Brake

<i>Ref.</i>	<i>Part Number</i>	<i>Qty.</i>	<i>Description</i>
11	701243	4	Screw-HWHTF
12	ST24349-03	2	Trunnion
13	125-6308	1	Yoke ASM
14	ST27617-03	1	Guard-Brake, Upper
15	ST80031	4	Screw-HWH
16	ST27618-03	1	Guard-Brake, Lower
17	ST27144-03	1	Guard-Pinion
18	104-8300	2	Nut-Flange, NI
19	ST46042	2	Fitting-Grease
20	ST47001	2	Cap-Plug
26	99-4693	1	Decal



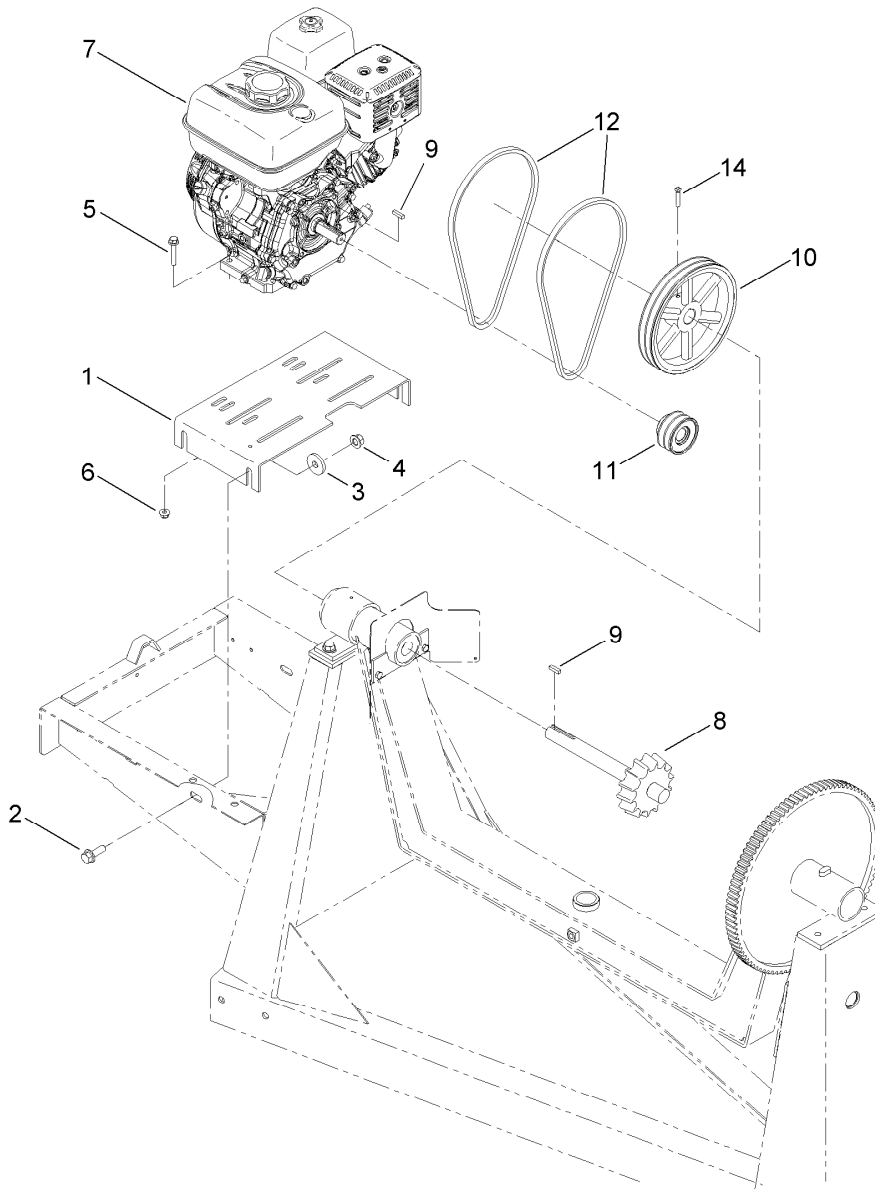
Axle Assembly

Ref.	Part Number	Qty.	Description
1	ST26949-03	2	Bracket-Axle, Spring
3	99-5107	14	Nut-Lock
4	ST26971	2	Spring-Leaf
5	100-6116	8	Screw-HHF
6	ST26195	2	Bolt-U
7	ST21460-03	1	Axle-Spring
8	125-8171	2	Hub ASM
9	3256-28	2	Washer-Flat
10	ST80054	2	Nut
11	3272-13	2	Pin-Cotter
12	ST32307	2	Tire And Rim ASM
13	325-33	2	Screw-HH
14	ST34972	2	Spring-Coil



Hub Assembly No. 125-8171

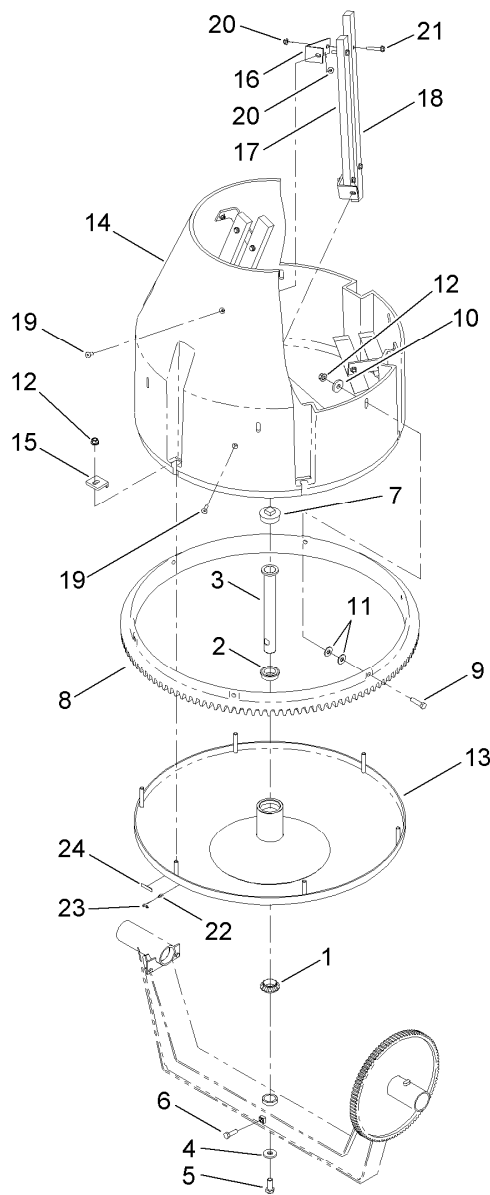
<i>Ref.</i>	<i>Part Number</i>	<i>Qty.</i>	<i>Description</i>
2	ST39190	4	Stud-Wheel
3	ST32233	2	Bearing-Roller
4	ST80045	4	Nut-Lug
5	ST34573	1	Cap-Dust



Engine and Drive Assembly

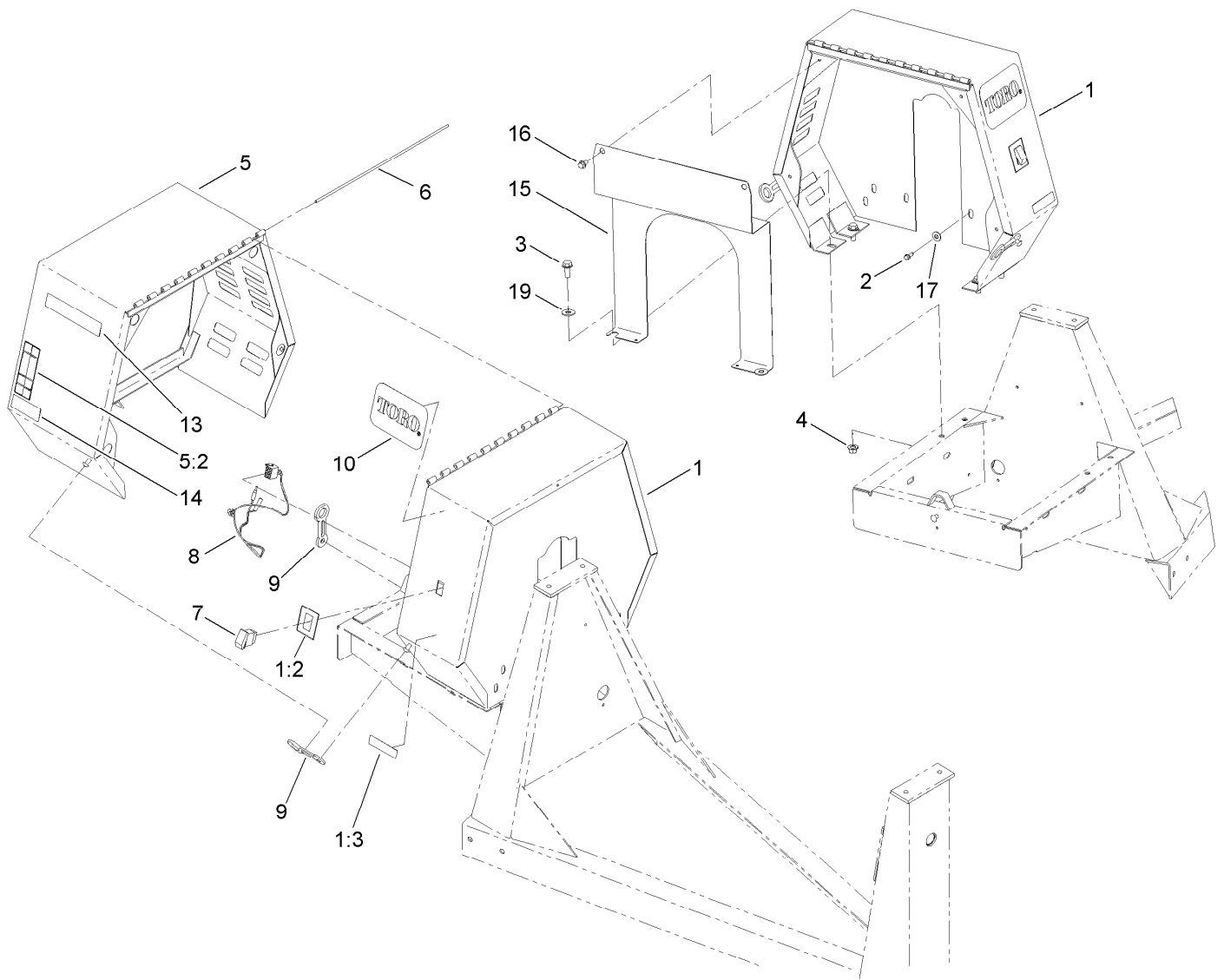
Ref.	Part Number	Qty.	Description
1	ST28045-03	1	Base-Motor
2	100-6116	4	Screw-HHF
3	ST26326	4	Washer-Flat
4	99-5107	4	Nut-Lock
5	108-3742	4	Screw-HHF
6	104-8301	4	Nut-Flange, NI
7	125-4812	1	Engine-Honda, Gx240 ●
8	ST21487	1	Shaft-Drive
9	5-7280	2	Key
10	ST34986-03	1	Sheave
11	ST34984	1	Sheave
12	127-0075	2	Belt-V
14	909546	2	Screw-Set, SQH

● Obtain parts from www.honda-engines.com



Drum Assembly

<i>Ref.</i>	<i>Part Number</i>	<i>Qty.</i>	<i>Description</i>	<i>Ref.</i>	<i>Part Number</i>	<i>Qty.</i>	<i>Description</i>
1	ST32161	1	Bearing-Roller	13	125-8170-01	1	Dish
2	ST32086	1	Bearing	14	125-6202	1	Drum
3	ST27267	1	Spindle	15	ST42781-01	6	Clamp-Drum
4	ST27413	1	Washer-Flat	16	ST42810-01	6	Bracket-Paddle
5	327-4	1	Screw-HH	17	ST47341	3	Paddle
6	325-6	1	Screw-HH	18	ST47342	3	Paddle
7	ST46022	1	Plug	19	99-8051	6	Screw-HSFH, Countersunk
8	ST26317-01	1	Gear-Ring	20	104-8301	18	Nut-Flange, NI
9	325-8	6	Screw-HH	21	108-3742	12	Screw-HHF
10	ST26326	6	Washer-Flat	22	ST46057	1	Fitting
11	3256-6	12	Washer-Flat	23	ST47001	1	Cap-Plug
12	99-5107	6	Nut-Lock	24	125-8175	1	Decal-Grease



Cowl and Decal Assembly

<i>Ref.</i>	<i>Part Number</i>	<i>Qty.</i>	<i>Description</i>	<i>Ref.</i>	<i>Part Number</i>	<i>Qty.</i>	<i>Description</i>
1	127-2811	1	Stationary Cowl ASM	8	125-4877	1	Harness-Wire, Mixer
1:2	125-4940	1	Decal-Engine Stop	9	ST47182	3	Latch-Rubber
1:3	117-2718	1	Decal-Arrester, Spark	10	67-7320	1	Decal
2	701243	2	Screw-HWHTF	13	125-4937	1	Decal
3	3234-38	4	Screw-HHF	14	125-4942	1	Decal
4	99-5107	4	Nut-Lock	15	125-8218-03	1	Plate-Engine
5	127-1685	1	Movable Cowl ASM	16	110-9380	2	Screw-HWH
5:2	125-4939	1	Decal-Warning	17	3256-4	2	Washer-Flat
6	ST44368	1	Pin	19	3256-6	2	Washer-Flat
7	95-8999	1	Switch				

Attachments and Accessories

For 68009 CM-958H-P Concrete Mixer

Product Name	Model/Part
31 inch Forged Tow Pole Hitch	68056
31 inch Pintel Tow Pole Hitch	68058
31 inch Stamped Tow Pole Hitch	68060
Trailer Light Kit.....	68062

Notes:



Count on it.