



Count on it.

Parts Catalog

CM-658H-S Concrete Mixer

Model No. 68004—Serial No. 313000001 and Up



Ordering Replacement Parts

To order replacement parts, please supply the part number, the quantity, and the description of each part desired.

Understanding Reference Numbers

Each identified part in an illustration has a reference number. The reference number for a part also appears in the parts list, along with other information about the part.

This catalog uses two special reference number formats, one to indicate parts in a service assembly and another to indicate the quantity of a given part in an illustration.

Service Assembly Reference Numbers

Parts in service assemblies have reference numbers in the form a:b. The a represents the reference number of the entire service assembly and the b represents a sequential number unique to each part within the service assembly.

For example, a wheel assembly might be identified by reference number 6, the tire by 6:1, the valve by 6:2, and the wheel by 6:3. When you order the assembly identified by reference number 6, you receive all parts identified by reference numbers 6:1, 6:2, and 6:3. However, you may also order any part individually. Reference numbers of this type appear in illustration and in parts lists.

Reference Numbers Indicating Quantity

In an illustration, if a reference number indicates more than one part, the reference number has the form nX y. The n represents the quantity of the part, the X is the multiplication symbol, and the y represents the reference number.

For example, in an illustration, the reference number 2X 37 means that two of the parts identified by reference number 37 are indicated.

List of Abbreviations

AR: as required

ASM: assembly

BBC: blade brake control

BHTF: button head thread forming

CARR: carriage

CCW: counter clockwise

CW: clockwise

DEG: degrees

DPA: Dual Point Adjustment

ECM: electronic control module

EXT: external

FH: flat head

GA: gauge

HD: heavy-duty

HF: hex flange

HH: hex head

HHF: hex head flange

HHFTF: hex head flange thread forming

HJ: hex jam

HLH: hex lag head

HOC: height-of-cut

HSBH: hex socket button head

HSFH: hex socket flat head

HSH: hex socket head

HWH: hex washer head

HWHTF: hex washer head thread forming

HYD: hydraulic

LH: left hand

LP: Liquefied Petroleum Gas

LPG: Liquefied Petroleum Gas

NI: nylon insert

NPTF: national pipe thread fine

PFH: phillips flat head

PPH: phillips pan head

PPHTF: phillips pan head thread forming

PRH: phillips round head

PTH: phillips truss head

PTO: power-take-off

RH: right hand

ROPS: roll-over protection system

RRB: rear roller brush

SFH: slotted fillister head

SHH: slotted hex head

SHWH: slotted hex washer head

SPH: slotted pan head

SQH: square head

SRH: slotted round head

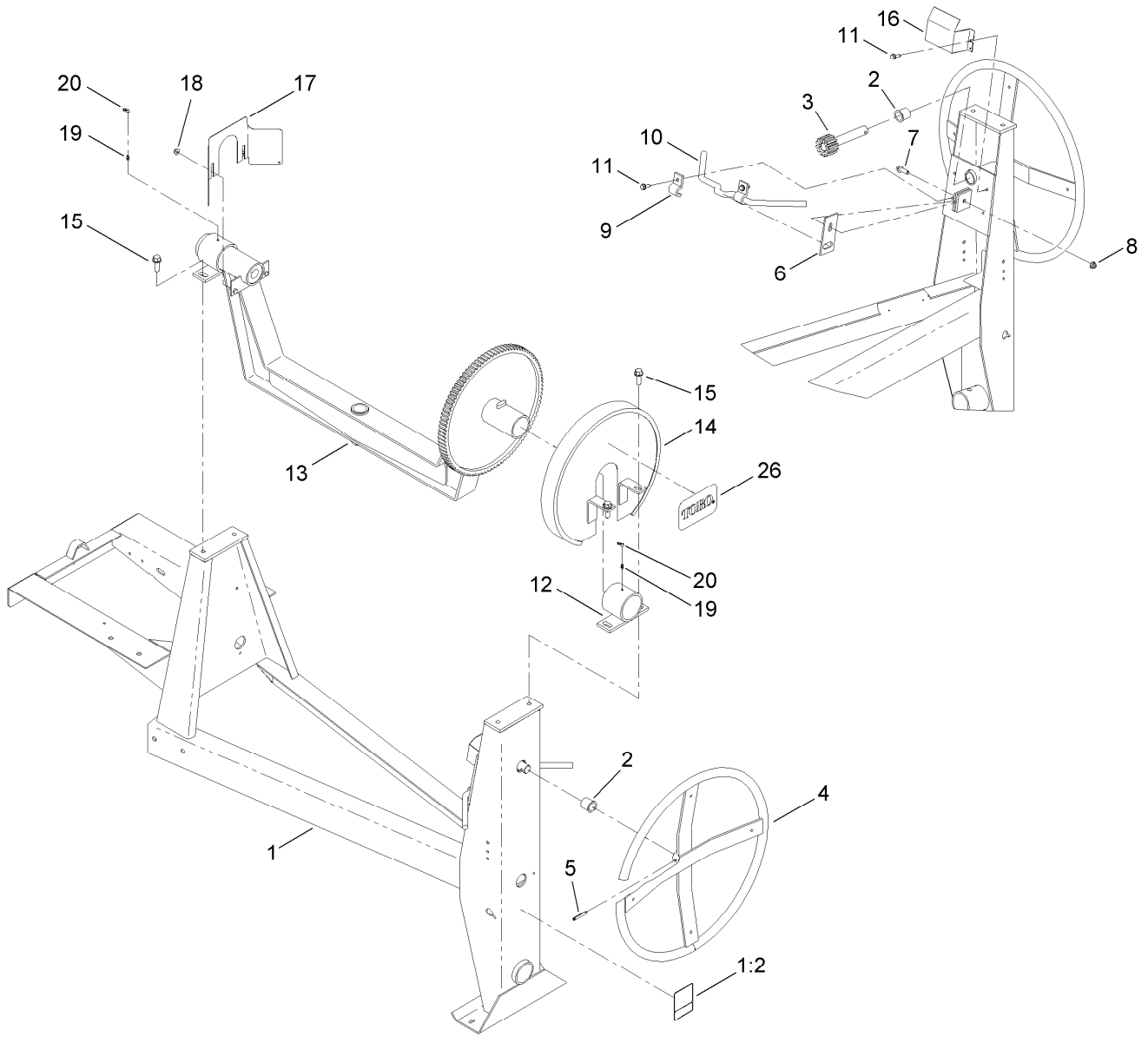
STD: standard

TAP: self tapping

TTH: torx truss head

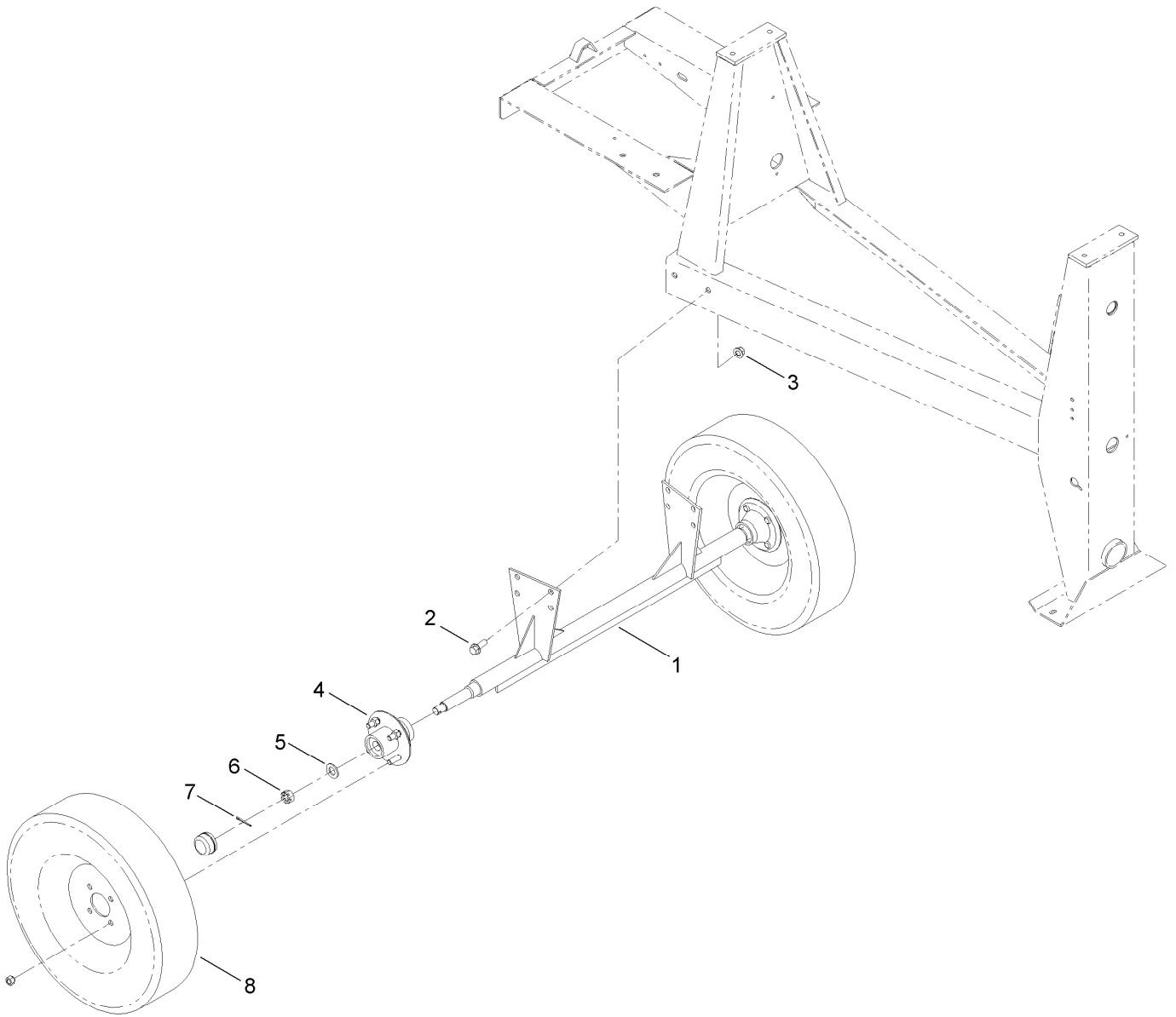
Contents

Frame and Yoke Assembly	4
Axle Assembly	5
Hub Assembly No. 125-8171	6
Engine and Drive Assembly	7
Drum Assembly	8
Cowl Assembly	9
Attachments and Accessories	10



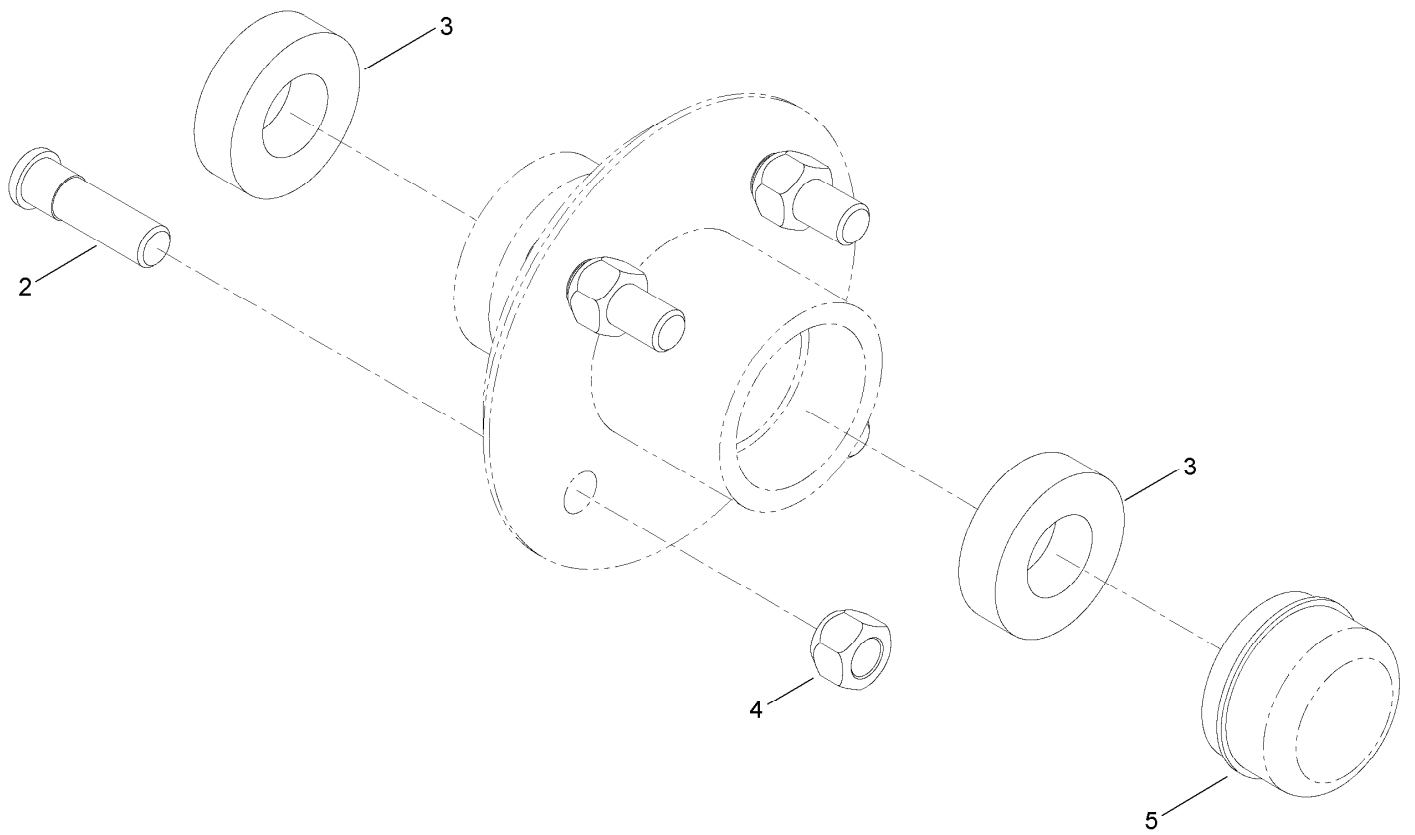
Frame and Yoke Assembly

Ref.	Part Number	Qty.	Description	Ref.	Part Number	Qty.	Description
1	127-2813	1	Frame ASM	11	701243	4	Screw-HWHTF
1:2	125-8216	1	Decal-Safety Chain, Towing	12	ST24349-03	2	Trunnion
2	ST32032	2	Bushing-Nylon	13	125-6307	1	Yoke ASM
3	ST22029	1	Shaft-Tilt	14	ST27617-03	1	Guard-Brake, Upper
4	ST22096-03	1	Handwheel	15	ST80031	4	Screw-HWH
5	32121-27	1	Pin-Roll	16	ST27618-03	1	Guard-Brake, Lower
6	ST27619-03	1	Dog-Brake	17	ST27144-03	1	Guard-Pinion
7	3234-24	1	Screw-HHF	18	104-8300	2	Nut-Flange, NI
8	104-8301	1	Nut-Flange, NI	19	ST46042	2	Fitting-Grease
9	ST27559-03	2	Bracket-Handle	20	ST47001	2	Cap-Plug
10	ST27621-03	1	Handle-Brake	26	99-4693	1	Decal



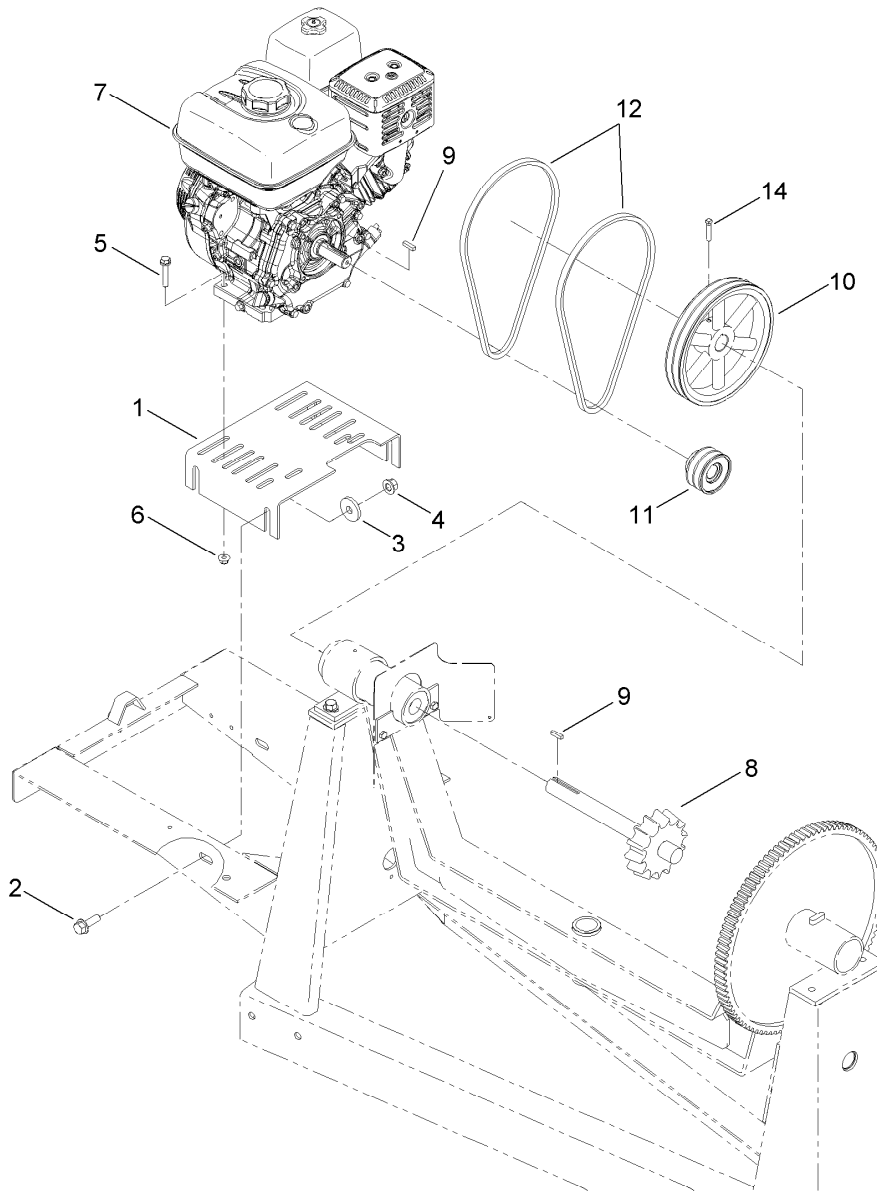
Axle Assembly

Ref.	Part Number	Qty.	Description
1	ST22031-03	1	Axle
2	100-6116	4	Screw-HHF
3	99-5107	4	Nut-Lock
4	125-8171	2	Hub ASM
5	3256-28	2	Washer-Flat
6	ST80054	2	Nut
7	3272-13	2	Pin-Cotter
8	ST32306	2	Tire And Rim ASM



Hub Assembly No. 125-8171

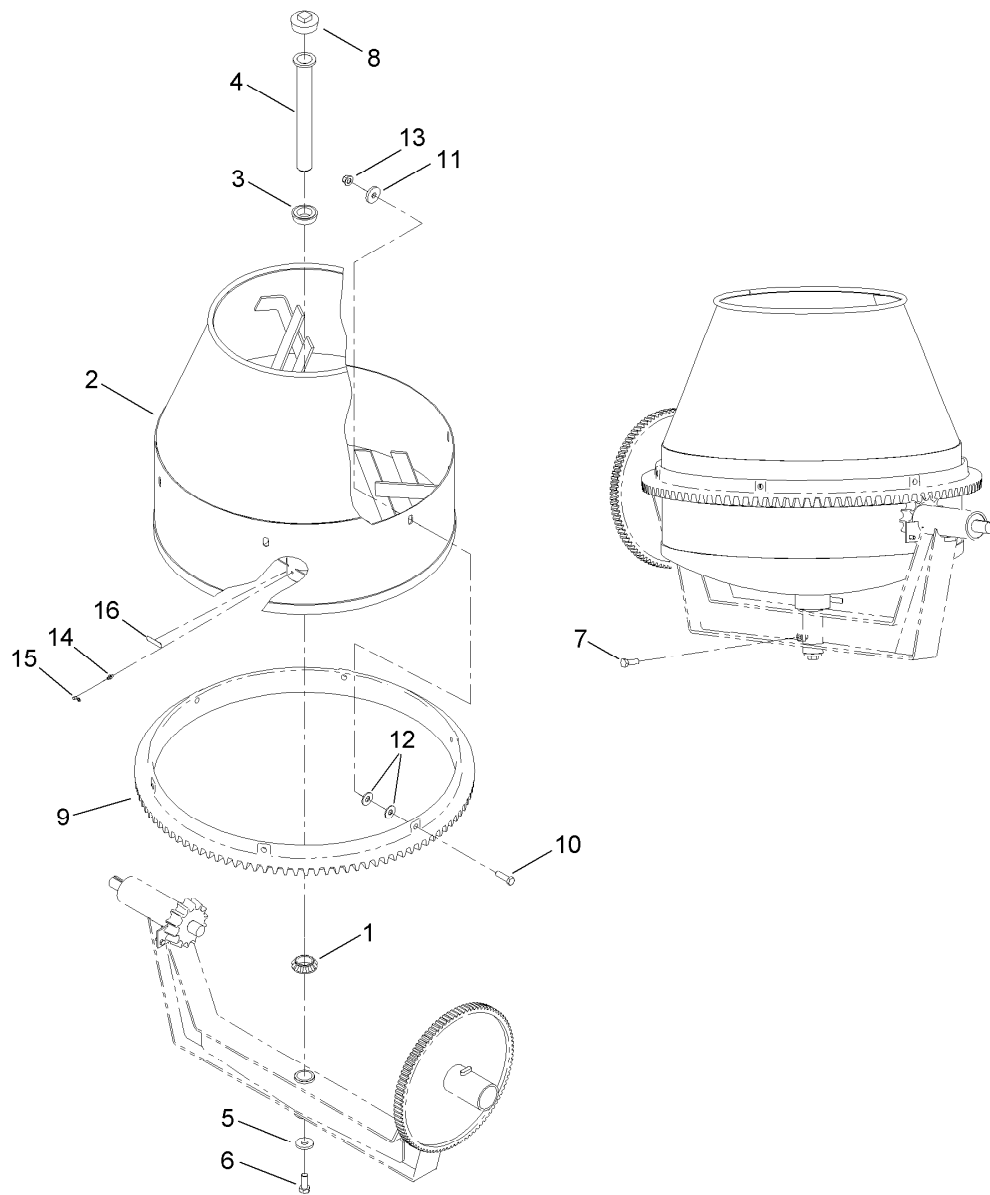
<i>Ref.</i>	<i>Part Number</i>	<i>Qty.</i>	<i>Description</i>
2	ST39190	4	Stud-Wheel
3	ST32233	2	Bearing-Roller
4	ST80045	4	Nut-Lug
5	ST34573	1	Cap-Dust



Engine and Drive Assembly

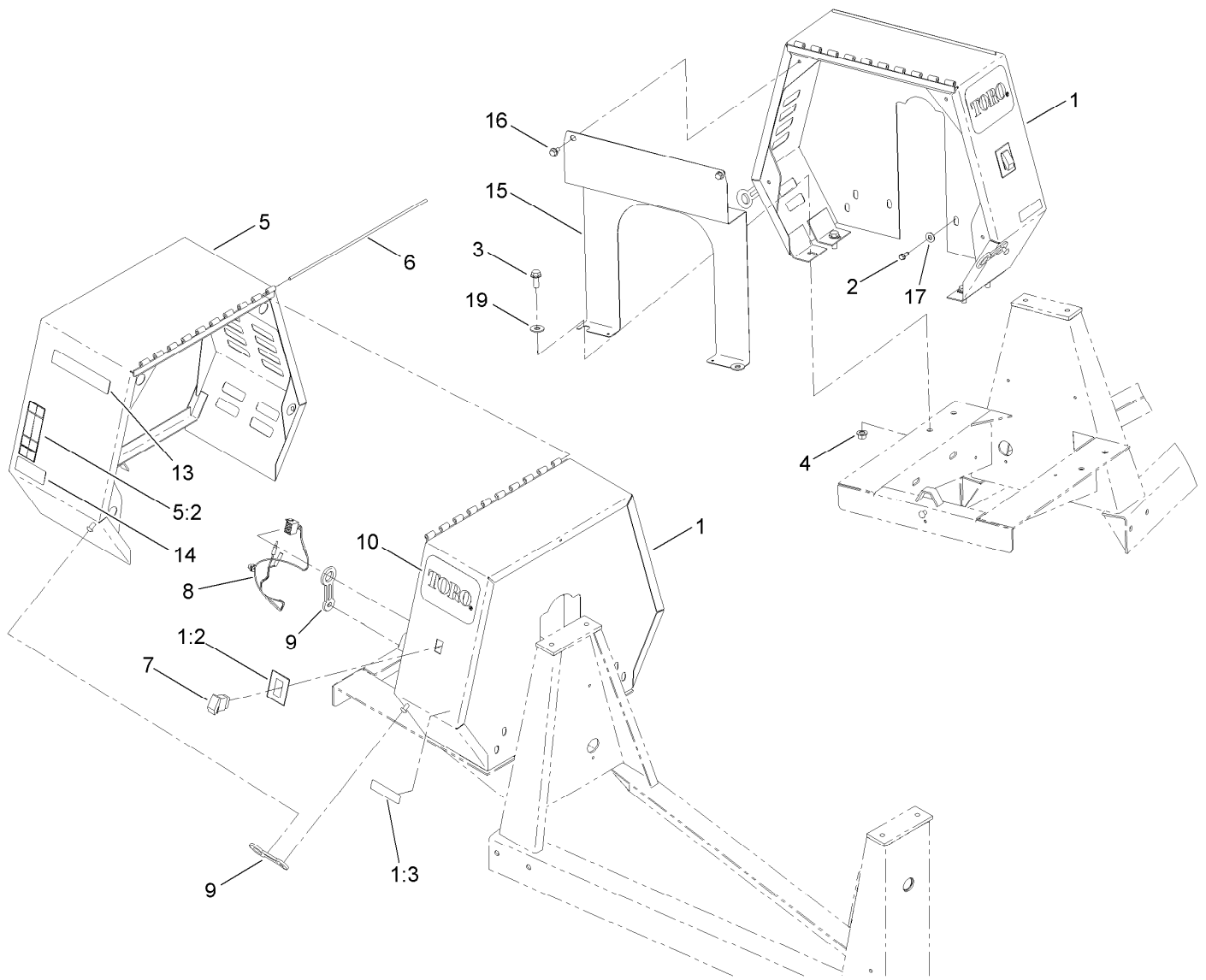
Ref.	Part Number	Qty.	Description
1	ST28040-03	1	Base-Motor
2	100-6116	4	Screw-HHF
3	ST26326	4	Washer-Flat
4	99-5107	4	Nut-Lock
5	108-3742	4	Screw-HHF
6	104-8301	4	Nut-Flange, NI
7	125-4812	1	Engine-Honda, Gx240 ●
8	ST21487	1	Shaft-Drive
9	5-7280	2	Key
10	ST34986-03	1	Sheave
11	ST34984	1	Sheave
12	127-0075	2	Belt-V
14	909546	2	Screw-Set, SQH

● Obtain parts from www.honda-engines.com



Drum Assembly

Ref.	Part Number	Qty.	Description	Ref.	Part Number	Qty.	Description
1	ST32161	1	Bearing-Roller	9	ST26095-01	1	Gear-Ring
2	125-6305-01	1	Drum	10	325-7	6	Screw-HH
3	ST32086	1	Bearing	11	ST26326	6	Washer-Flat
4	ST27267	1	Spindle	12	3256-6	12	Washer-Flat
5	ST27413	1	Washer-Flat	13	99-5107	6	Nut-Lock
6	327-4	1	Screw-HH	14	ST46057	1	Fitting
7	325-6	1	Screw-HH	15	ST47001	1	Cap-Plug
8	ST46022	1	Plug	16	125-8175	1	Decal-Grease



Cowl Assembly

<i>Ref.</i>	<i>Part Number</i>	<i>Qty.</i>	<i>Description</i>	<i>Ref.</i>	<i>Part Number</i>	<i>Qty.</i>	<i>Description</i>
1	127-2811	1	Stationary Cowl ASM	8	125-4877	1	Harness-Wire, Mixer
1:2	125-4940	1	Decal-Engine Stop	9	ST47182	3	Latch-Rubber
1:3	117-2718	1	Decal-Arrester, Spark	10	67-7320	1	Decal
2	701243	2	Screw-HWHTF	13	125-4936	1	Decal
3	3234-38	4	Screw-HHF	14	125-4942	1	Decal
4	99-5107	4	Nut-Lock	15	125-8218-03	1	Plate-Engine
5	127-1685	1	Movable Cowl ASM	16	110-9380	2	Screw-HWH
5:2	125-4939	1	Decal-Warning	17	3256-4	2	Washer-Flat
6	ST44368	1	Pin	19	3256-6	2	Washer-Flat
7	95-8999	1	Switch				

Attachments and Accessories

For 68004 CM-658H-S Concrete Mixer

Product Name	Model/Part
31 inch Forged Tow Pole Hitch	68056
31 inch Pintel Tow Pole Hitch	68058
31 inch Stamped Tow Pole Hitch	68060
Trailer Light Kit.....	68062

Notes:



Count on it.