



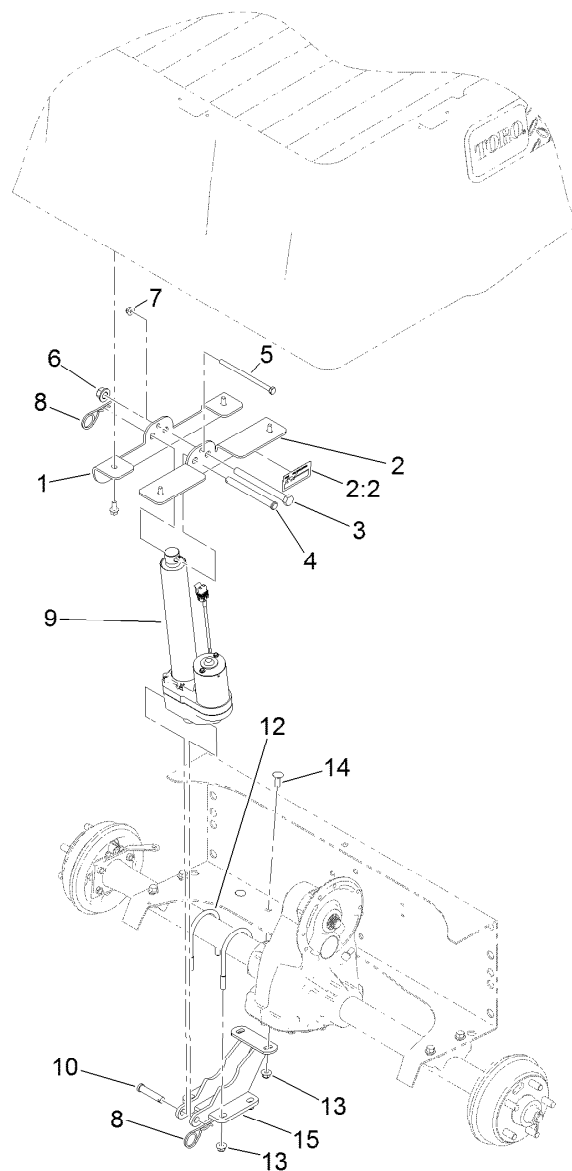
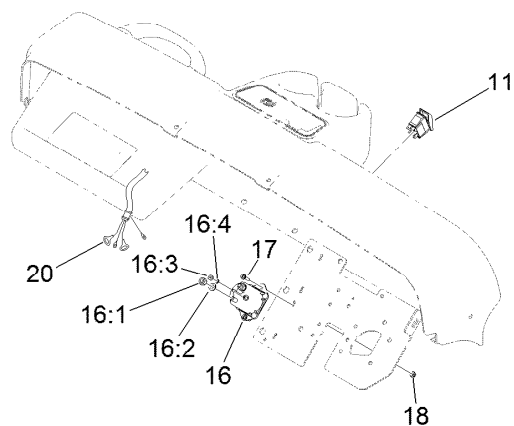
**Count on it.**

**Parts Catalog**

**Electric Bed Lift Kit**  
**2014 and After Workman® MDE Utility**  
**Vehicle**

Model No. 07396—Serial No. 314000001 and Up





## Electric Bed Lift Assembly

Ref.	Part Number	Qty.	Description
1	127-7379-03	1	Plate-Stiffener, Electric Lift
2	127-7387	1	Plate-Stiffener, Electric Lift
2:2	127-7388	1	Decal-Location, Pin
3	325-22	1	Screw-HH
4	100-5024	1	Pin-Clevis
5	322-49	1	Bolt-HH
6	99-5107	1	Nut-Lock
7	104-8300	1	Nut-Flange, NI
8	107-3155	2	Hairpin
9	120-5046	1	Actuator-48V, 8 Inch
10	92-2739	1	Pin-Clevis
11	107-0748	1	Switch-Rocker

Ref.	Part Number	Qty.	Description
12	99-7759	2	U-Bolt
13	104-8301	6	Nut-Flange, NI
14	3231-22	2	Screw-CARR
15	104-7232-03	1	Support-Cylinder, Lift
16	104-7135	1	Solenoid ASM
16:1	3217-6	2	Nut-Hex
16:2	3253-4	2	Washer-Lock
16:3	3219-14	2	Nut-Hex
16:4	3253-17	2	Washer-Lock
17	32105-13	2	Screw-HWH
18	32149-7	2	Nut-Keps
20	107-0715	1	Harness-Wire