



**Count on it.**

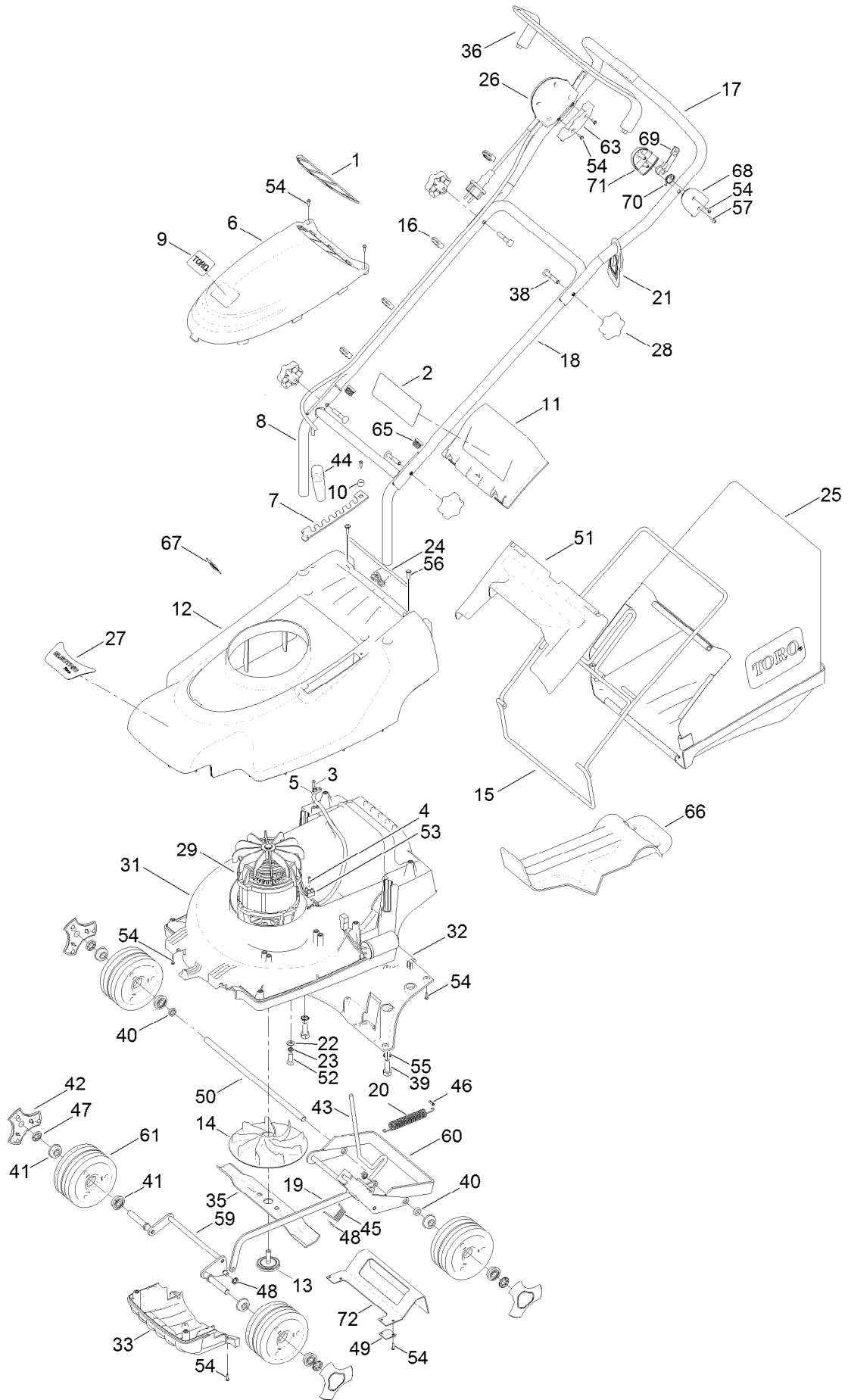
**Parts Catalog**

**36cm Electric Lawn Mower**

Model No. 21136—Serial No. 314000001 and Up



# 36cm Lawn Mower Assembly



## 36cm Lawn Mower Assembly (continued)

<i>Ref.</i>	<i>Part Number</i>	<i>Qty.</i>	<i>Description</i>	<i>Ref.</i>	<i>Part Number</i>	<i>Qty.</i>	<i>Description</i>
1	111-0074	1	Vent Mesh ASM	36	HY100017	1	Arm-Bail
2	111-5173	1	Decal-Safety, Electric	38	HY226024	4	Bolt-Handlebar
3	111-0094	4	Screw	39	HY100029	2	Bolt-Plastic
4	111-0106	1	Screw	40	HY100030	2	Spacer-Wheel, Rear
5	111-0117	2	Clamp-Cable	41	HY100033	8	Bearing-Wheel
6	111-3932	1	Cover-Motor	42	111-4011	4	Cap-Hub
7	111-0539	1	Plate-HOC	43	HY100038	1	Lever-HOC
8	111-0540-03	1	Handlebar-Lower	44	HY100039	1	Knob-HOC
9	111-4977	1	Decal-Toro	45	HY100041	1	Spring-HOC
10	111-0543	1	Cover-Screw, HOC	46	HY100042	1	Pin-Spring, HOC
11	111-1042	1	Deflector-Rear	47	HY100047	4	Washer-Starlock
12	111-3936	1	Cover-Top	48	0201086	3	Washer-Starlock
13	100013	1	Bolt-Fixing, Cutterbar (Nylon)	49	HY100064	2	Plate-Pivot, Axle
14	100014	1	Carrier-Cutterbar	50	HY100068	1	Rod-Axle, Rear
15	100016-03	1	Frame-Grassbag	51	HY100075	1	Top-Grassbag
16	100023	4	Clip-Cable	52	HY100076	4	Bolt-Motor
17	100024	1	Handlebar-Upper	53	HY100077	1	Block-Terminal
18	100025-03	1	Handlebar-Middle	54	HY100078	34	Screw
19	100037	1	Rod-Connecting	55	HY100079	2	Washer
20	100080	1	Spring-Balance, Counter	56	09687	2	Screw
21	100105	1	Cleat-Cable	57	HY100128	1	Screw-PPH
22	09475	4	Washer	59	HY100503	1	Front Axle ASM
23	03469	4	Washer-Spring	60	HY100504	1	Rear Axle ASM
24	100126	1	Rod-Deflector	61	HY100505	4	Wheel ASM
25	111-4009	1	Grassbag	63	HY100021	1	Switch-Left, Lower
26	111-4069	1	Switch And Lead ASM	65	300160	2	Plug-Tube
27	111-4081	1	Decal	66	111-4377	1	Plug-Mulching
28	480088	4	Knob-Handlebar	67	320006	1	Decal-HOC
29	HY100001	1	Motor	68	100085	1	Mount-Left
31	HY100003	1	Underdeck	69	HY100088	1	Lever-Mount
32	HY100004	1	Throwplate	70	HY100087	1	Spring-Bailarm
33	HY100006	1	Fins	71	100086	1	Mount-Right
35	HY100012	1	Cutterbar	72	111-4915-03	1	Guard-Plate, Axle



**Count on it.**