



Count on it.

Parts Catalog

**ProPass-200 Top Dresser
with Twin Spinner and Wireless Control**

Model No. 44700—Serial No. 310001001 and Up



Ordering Replacement Parts

To order replacement parts, please supply the part number, the quantity, and the description of each part desired.

Understanding Reference Numbers

Each identified part in an illustration has a reference number. The reference number for a part also appears in the parts list, along with other information about the part.

This catalog uses two special reference number formats, one to indicate parts in a service assembly and another to indicate the quantity of a given part in an illustration.

Service Assembly Reference Numbers

Parts in service assemblies have reference numbers in the form a:b. The a represents the reference number of the entire service assembly and the b represents a sequential number unique to each part within the service assembly.

For example, a wheel assembly might be identified by reference number 6, the tire by 6:1, the valve by 6:2, and the wheel by 6:3. When you order the assembly identified by reference number 6, you receive all parts identified by reference numbers 6:1, 6:2, and 6:3. However, you may also order any part individually. Reference numbers of this type appear in illustration and in parts lists.

Reference Numbers Indicating Quantity

In an illustration, if a reference number indicates more than one part, the reference number has the form nX y. The n represents the quantity of the part, the X is the multiplication symbol, and the y represents the reference number.

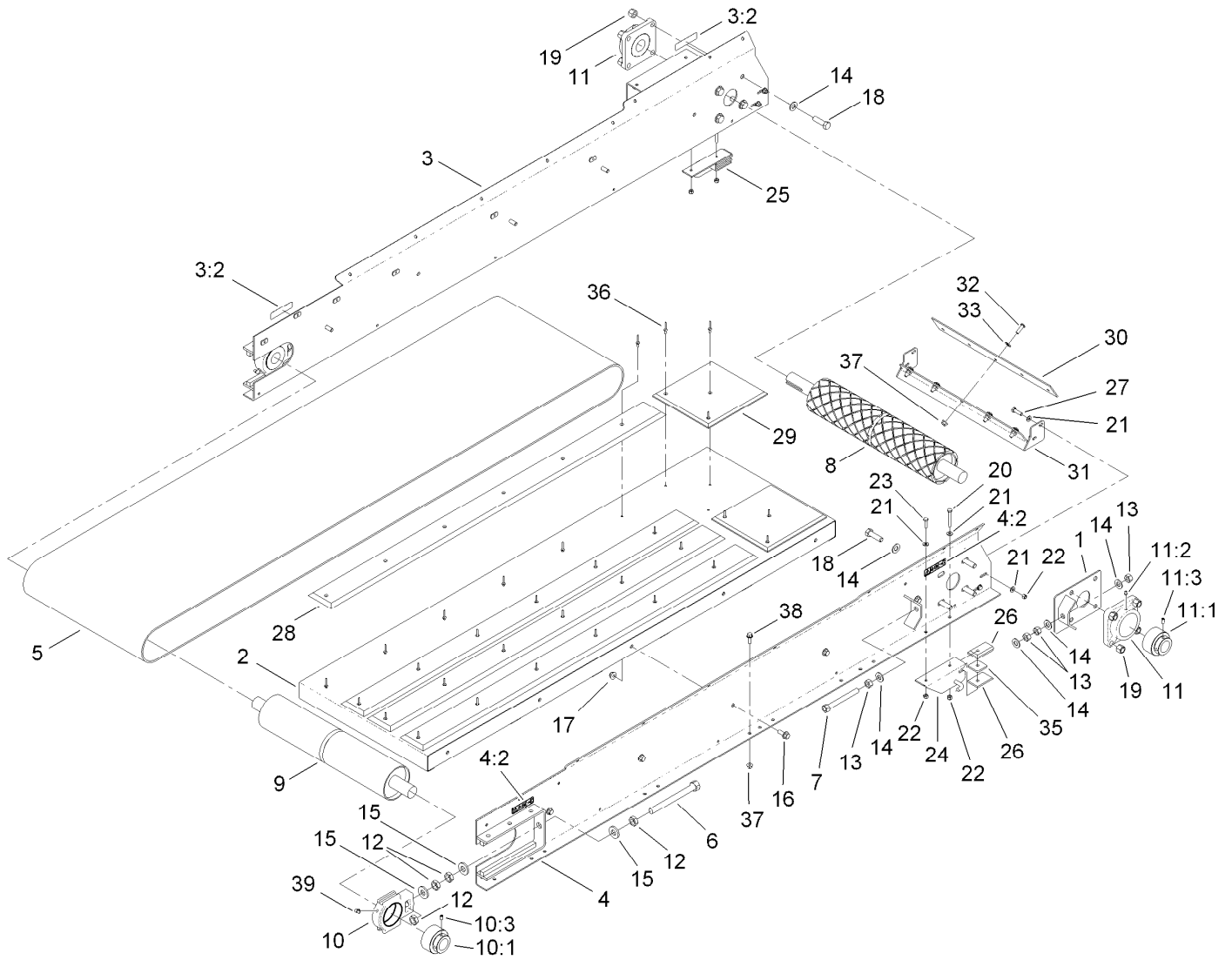
For example, in an illustration, the reference number 2X 37 means that two of the parts identified by reference number 37 are indicated.

List of Abbreviations

AR: as required	HLH: hex lag head	PTO: power-take-off
ASM: assembly	HOC: height-of-cut	RH: right hand
BBC: blade brake control	HSBH: hex socket button head	ROPS: roll-over protection system
BHTF: button head thread forming	HSFH: hex socket flat head	RRB: rear roller brush
CARR: carriage	HSH: hex socket head	SFH: slotted fillister head
CCW: counter clockwise	HWH: hex washer head	SHH: slotted hex head
CW: clockwise	HWHTF: hex washer head thread forming	SHWH: slotted hex washer head
DEG: degrees	HYD: hydraulic	SPH: slotted pan head
DPA: Dual Point Adjustment	LH: left hand	SQH: square head
ECM: electronic control module	LP: Liquefied Petroleum Gas	SRH: slotted round head
EXT: external	LPG: Liquefied Petroleum Gas	STD: standard
FH: flat head	NI: nylon insert	TAP: self tapping
GA: gauge	NPTF: national pipe thread fine	TTH: torx truss head
HD: heavy-duty	PFH: phillips flat head	
HF: hex flange	PPH: phillips pan head	
HH: hex head	PPHTF: phillips pan head thread forming	
HHF: hex head flange	PRH: phillips round head	
HHFTF: hex head flange thread forming	PTH: phillips truss head	
HJ: hex jam		

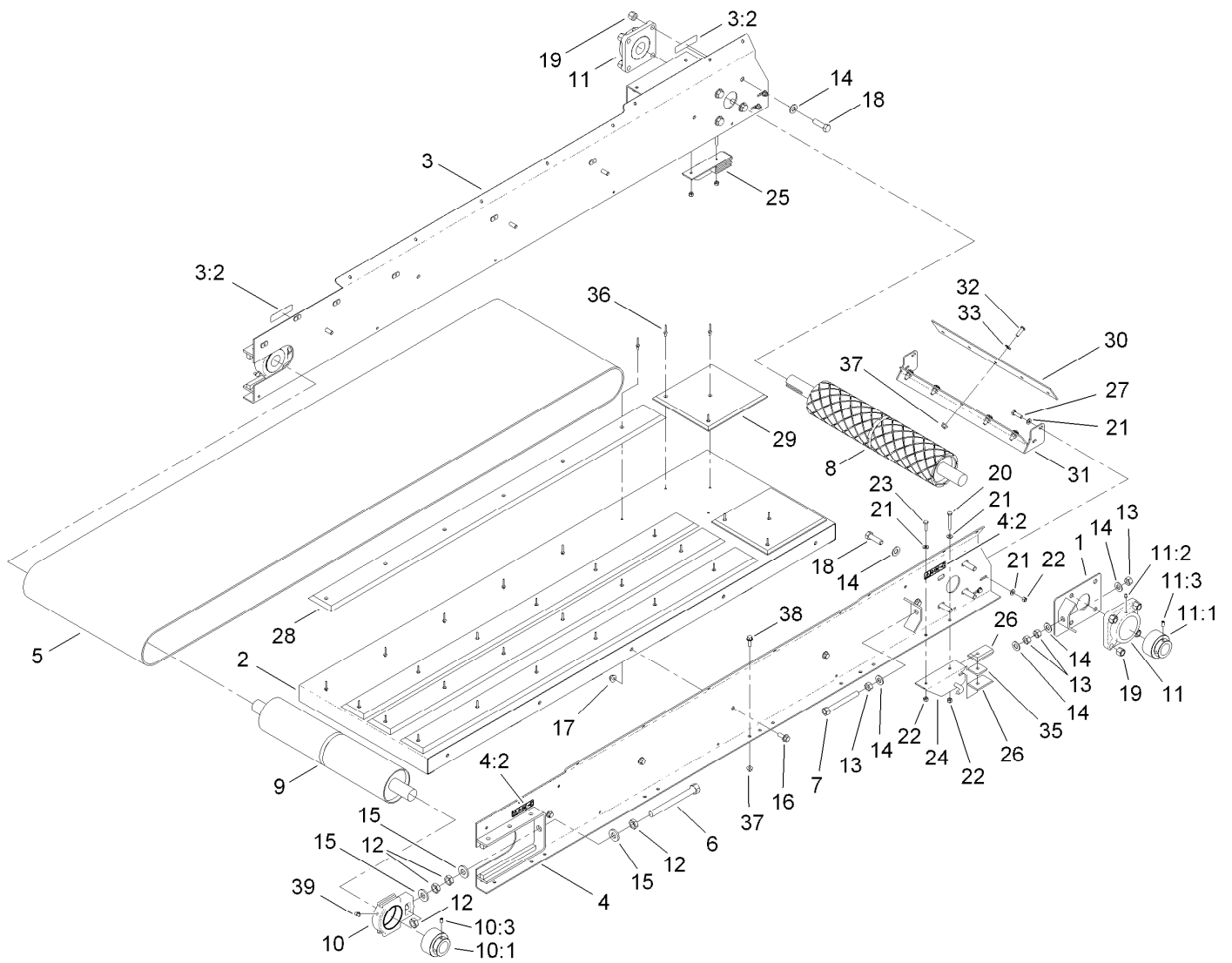
Contents

Bed Assembly	4
Bed Cover Assembly	6
Belt Drive Assembly	7
Hopper Assembly	8
Tailgate Assembly	9
Hydraulic System Assembly	10
Hydraulic Block Assembly No. T0000-7792	11
Wireless Electrical Assembly	12
Twin Spinner Assembly	13
Twin Spinner Hydraulic Assembly	15
Attachments and Accessories	16



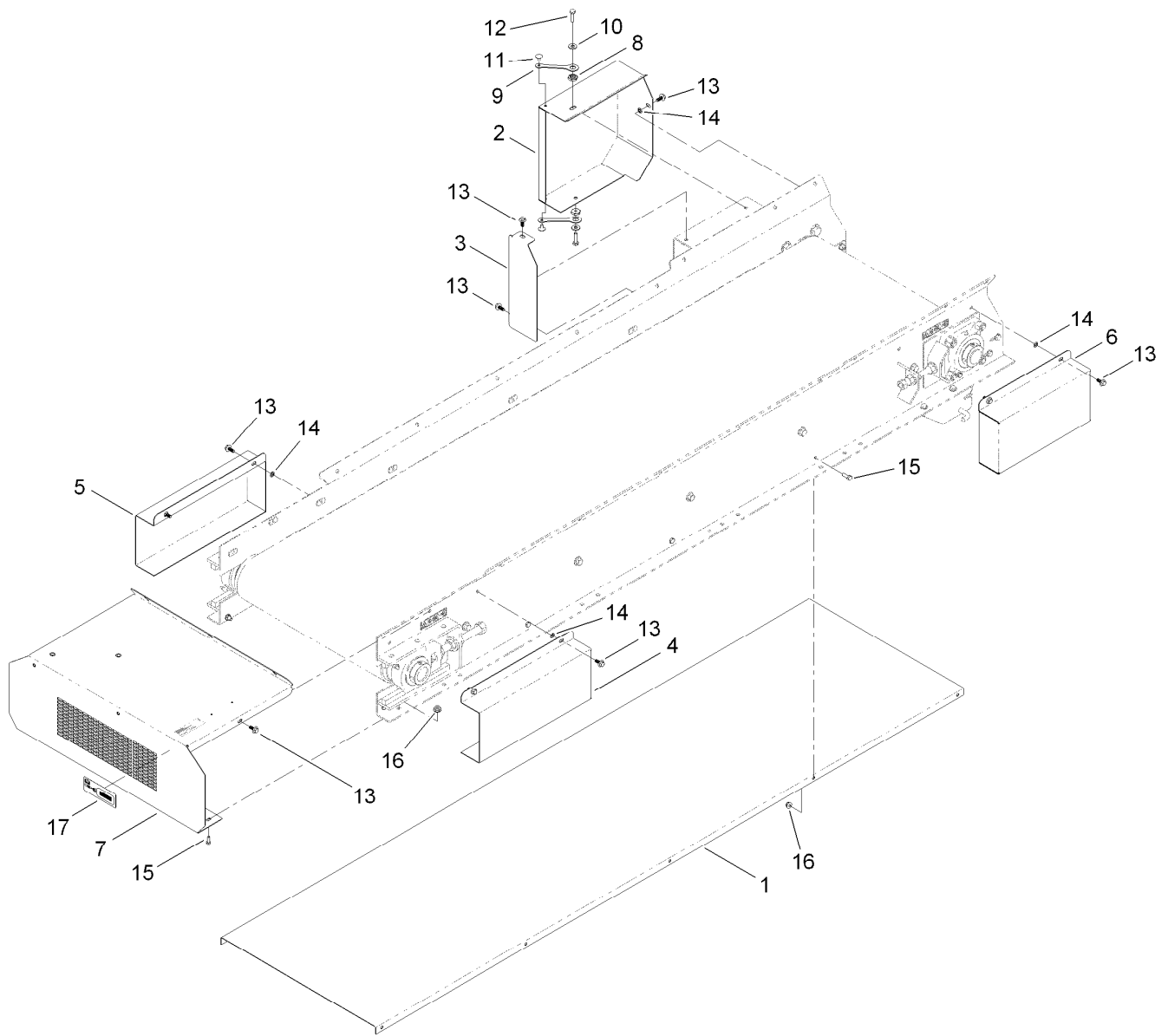
Bed Assembly

Ref.	Part Number	Qty.	Description	Ref.	Part Number	Qty.	Description
1	T36051675-01	1	Alignment Plate ASM	15	99-7667	6	Washer-Flat
2	T36051600-01	1	Conveyor Bed ASM	16	3234-42	10	Screw-HHF
3	119-6797	1	Right Conveyor Side ASM	17	104-8301	10	Nut-Flange, NI
3:2	119-0217	2	Decal-Danger	18	325-7	8	Screw-HH
4	119-6796	1	Left Conveyor ASM	19	3296-23	8	Nut-Lock, NI
4:2	119-0217	2	Decal-Danger	20	321-11	2	Screw-HH
5	T60191015	1	Belt-Conveyor	21	3256-22	12	Washer-Flat
6	T36051670-01	2	Tensioner Rod ASM	22	3296-42	8	Nut-Lock, NI
7	T36051660-01	1	Alignment Rod ASM	23	321-6	2	Screw-HH
8	T36051610	1	Roller-Drive	24	T36051560-01	1	Left Attachment ASM
9	T36051620	1	Roller-Idler	25	T36051570-01	1	Right Attachment ASM
10	T60114107	2	Take-Up Bearing ASM	26	T36051580	4	Bar-Bearing
10:1	119-6902	1	Bearing-Collar Lock	27	321-4	4	Screw-HH
10:3	3246-17	1	Setscrew-HSH	28	T36051690	4	Slider-Belt
11	T60116255	2	4-Bolt Bearing ASM	29	T36051680	2	Slider-Belt, Rear
11:1	119-6902	1	Bearing-Collar Lock	30	T36051135	1	Plate-Scraper
11:2	302-19	1	Fitting-Grease	31	T36051132-01	1	Scraper ASM
11:3	3246-17	1	Setscrew-HSH	32	119-6903	5	Screw-HSBH
12	3220-6	8	Nut-Jam	33	107-0279	5	Washer
13	3217-9	4	Nut-HH	35	T0000-2189	2	Spacer-Attachment
14	3256-26	12	Washer-Flat	36	3269-4	30	Rivet-Pop



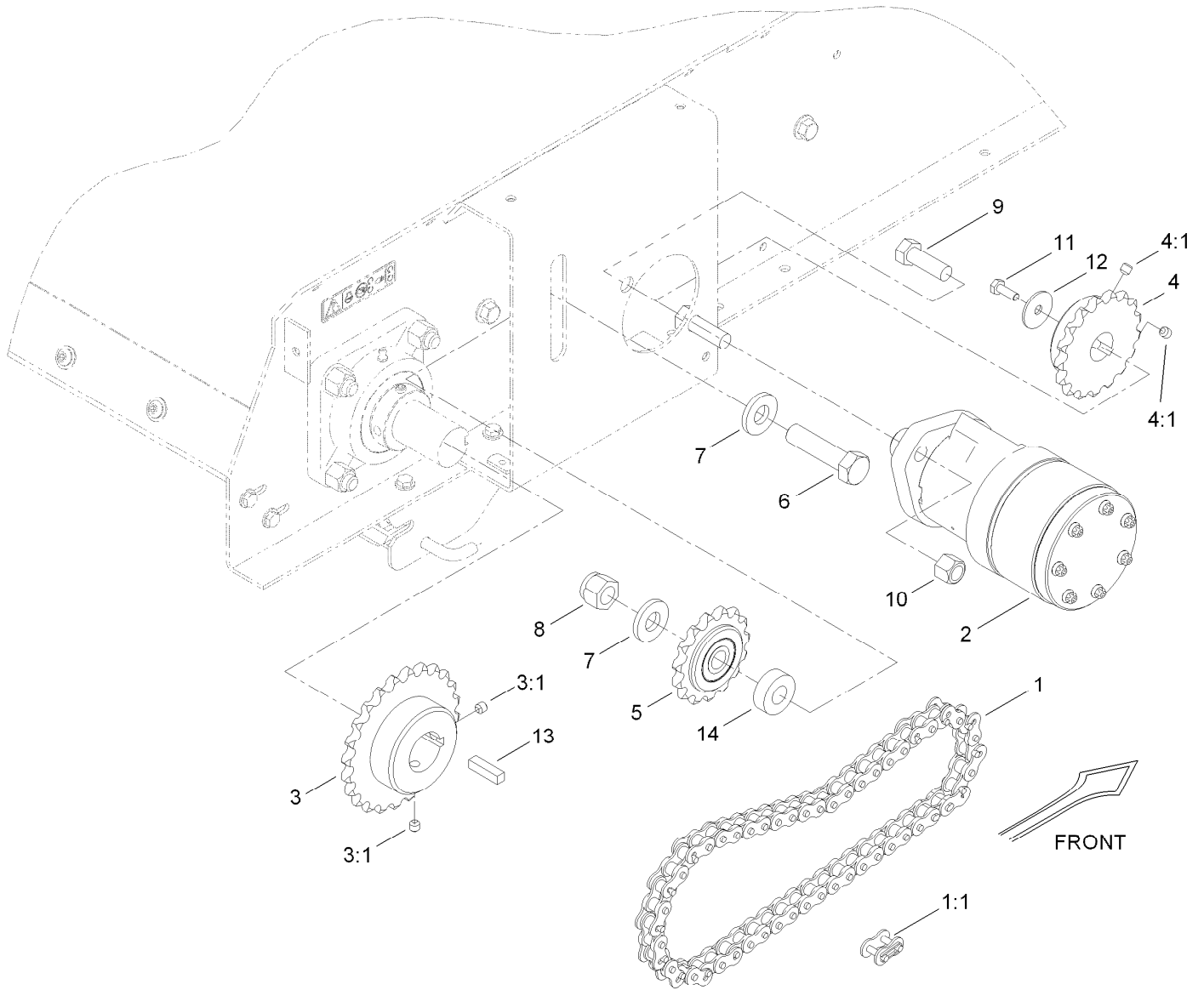
Bed Assembly (continued)

Ref.	Part Number	Qty.	Description	Ref.	Part Number	Qty.	Description
37	104-8300	15	Nut-Flange, NI	38	3234-29	10	Screw-HHF
				39	302-60	2	Fitting-Grease



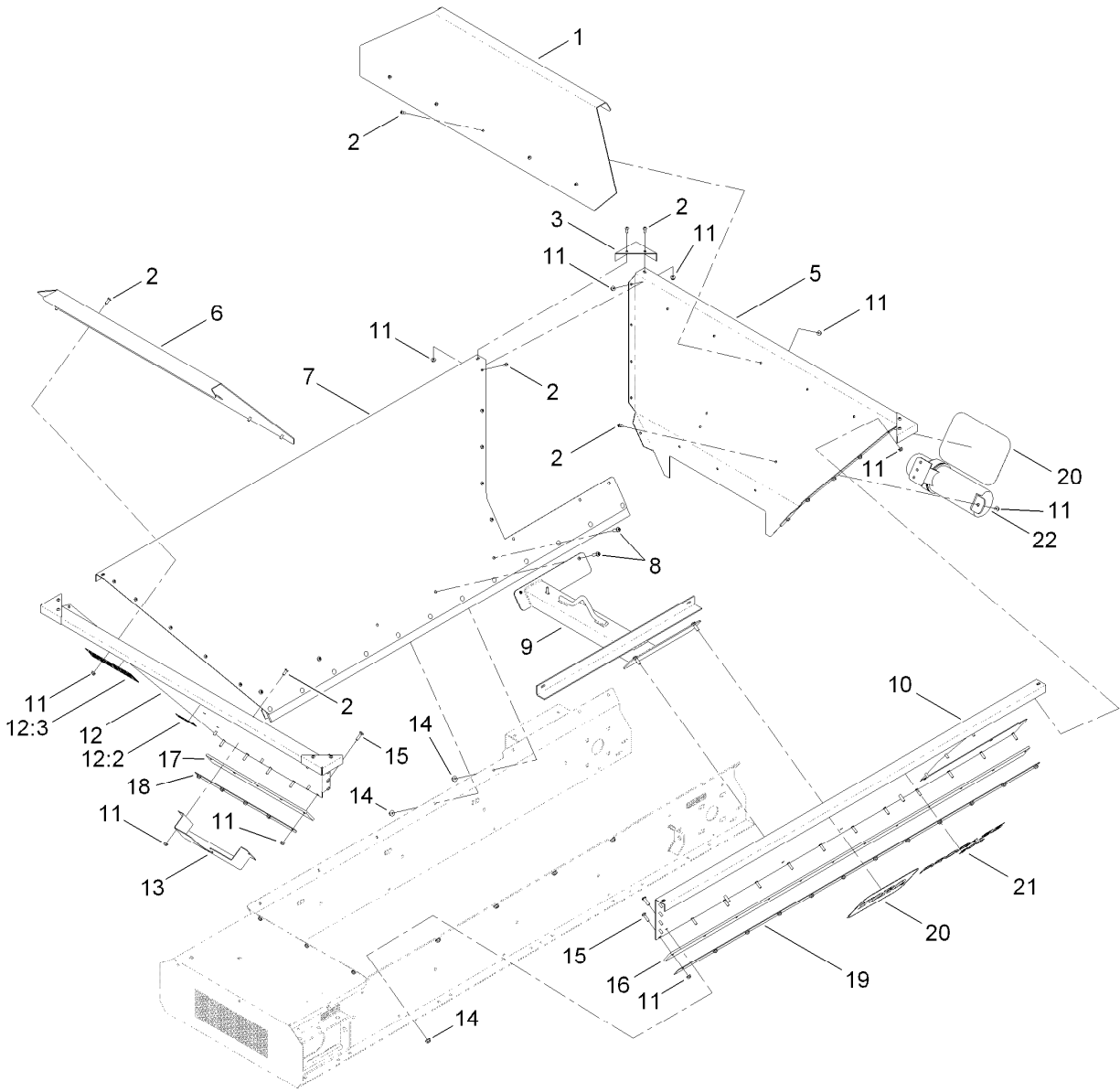
Bed Cover Assembly

<i>Ref.</i>	<i>Part Number</i>	<i>Qty.</i>	<i>Description</i>	<i>Ref.</i>	<i>Part Number</i>	<i>Qty.</i>	<i>Description</i>
1	T36051704	1	Guard-Bottom	10	3256-2	2	Washer-Flat
2	T36051640-03	1	Guard-Drive, RH	11	146489	2	Rivet
3	T36051645-01	1	Cap-Guard	12	321-6	2	Screw-HH
4	T36051630-03	1	Guard-Idler, LH	13	99-6810	11	Screw-HHF
5	T36051635-03	1	Guard-Idler, RH	14	106-8737	7	Nut-Retainer
6	T36051650-03	1	Guard-Drive, LH	15	321-4	12	Screw-HH
7	T0000-7789-01	1	Guard-Rinse, Front	16	104-7201	12	Nut-HF
8	119-0851	2	Nut-Shoulder	17	119-6809	1	Decal-Propass, Clean Out
9	117-8339	2	Lanyard-3 Inch				



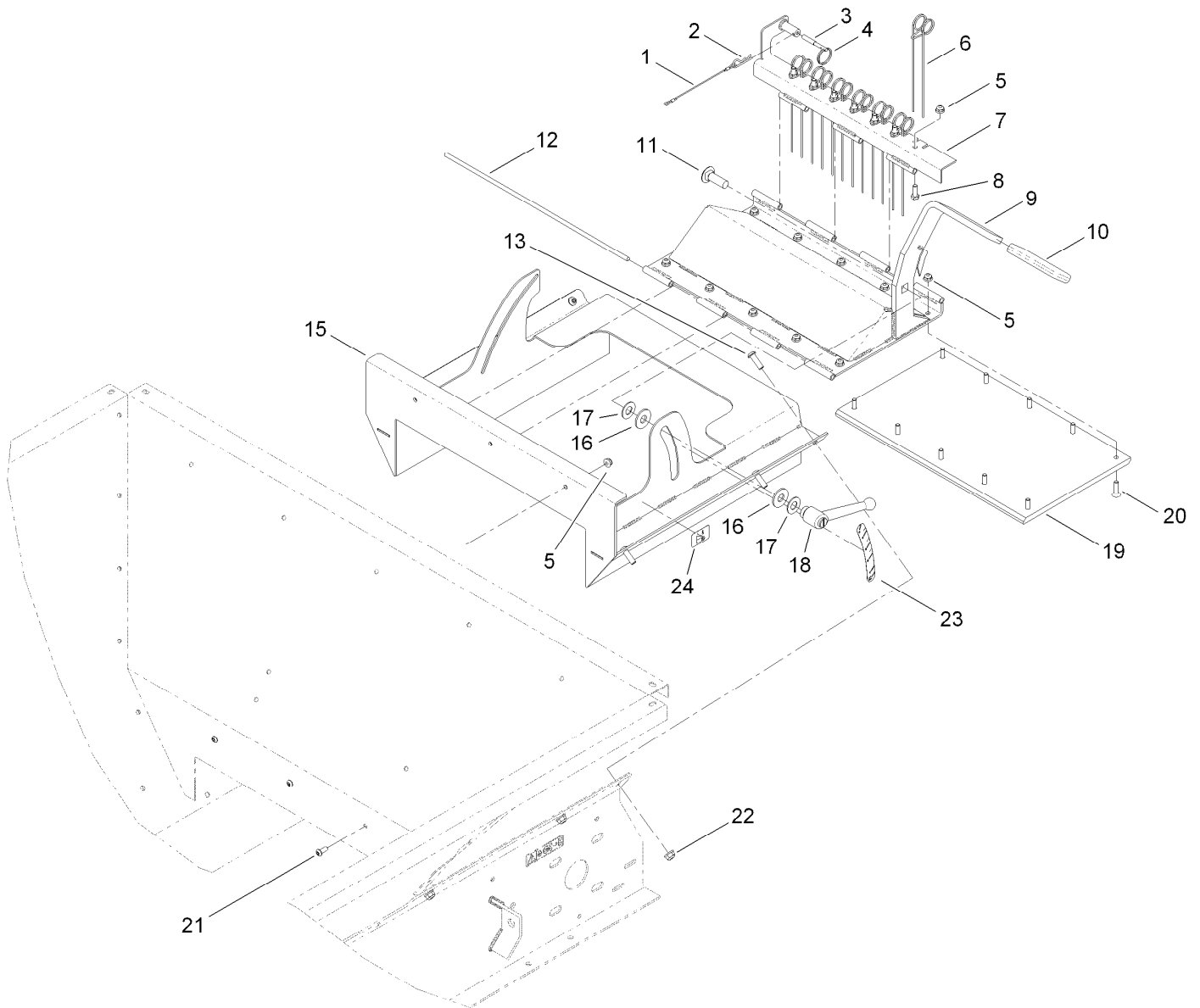
Belt Drive Assembly

Ref.	Part Number	Qty.	Description	Ref.	Part Number	Qty.	Description
1	T0000-7790	1	Chain-Drive, #50	7	99-7667	2	Washer-Flat
1:1	T60151066	1	Link-Connector, #50	8	3296-53	1	Nut-Lock, NI
2	T56011000	1	HYD Motor ASM	9	325-6	2	Screw-HH
3	T0000-6840	1	Sprocket	10	3296-23	2	Nut-Lock, NI
3:1	3246-2	2	Screw-Set, HSH	11	321-4	1	Screw-HH
4	T60133080	1	Sprocket	12	3256-57	1	Washer-Flat
4:1	3246-2	2	Screw-Set, HSH	13	T36051810	1	Key-Drive
5	T60134080	1	Sprocket-Idler	14	119-6905	1	Spacer
6	327-8	1	Screw-HH				



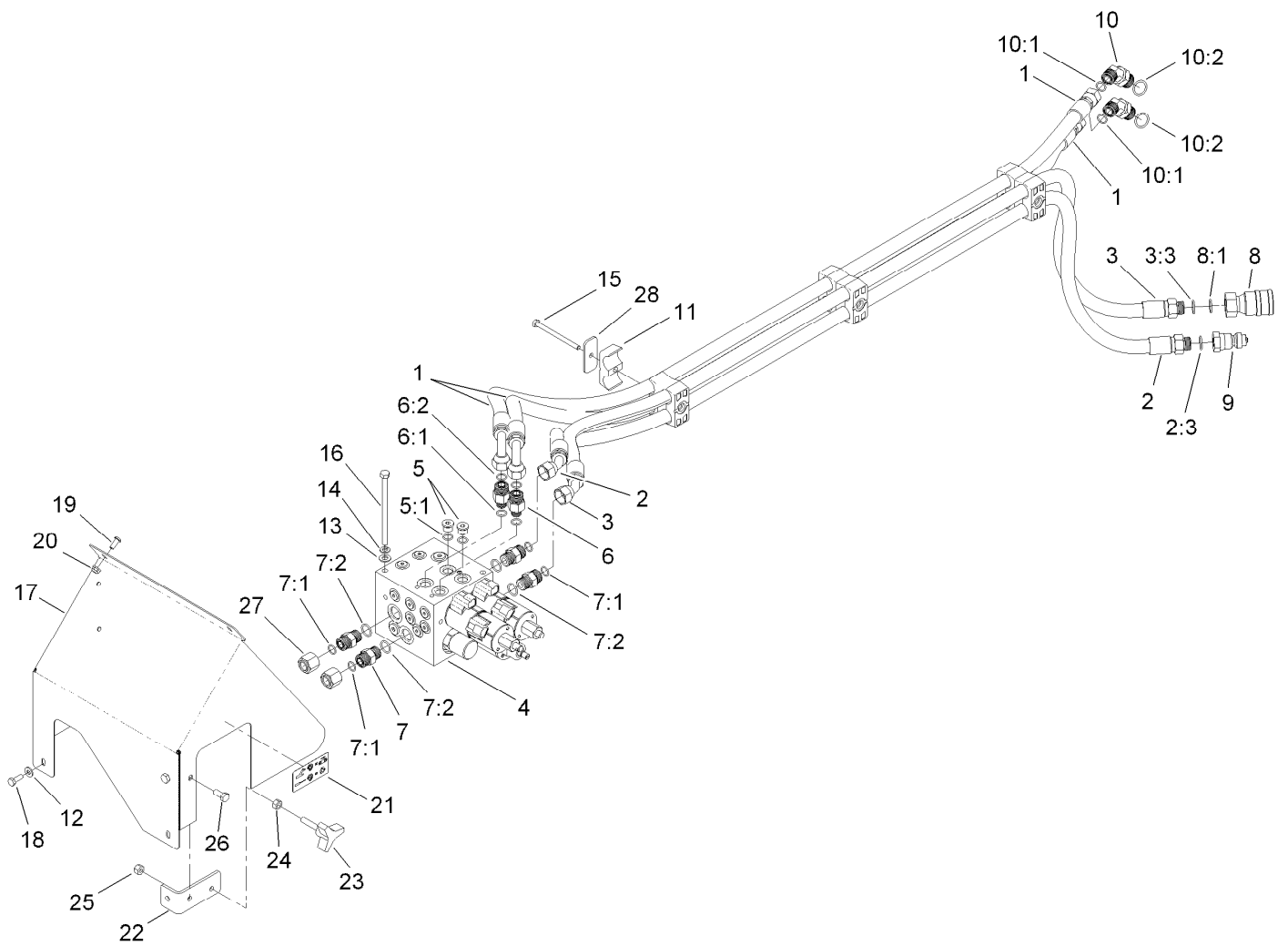
Hopper Assembly

<i>Ref.</i>	<i>Part Number</i>	<i>Qty.</i>	<i>Description</i>	<i>Ref.</i>	<i>Part Number</i>	<i>Qty.</i>	<i>Description</i>
1	T0001-2184-01	1	Extension-Hopper, Rear	12:3	119-6806	1	Decal-Danger
2	119-6906	50	Screw-HSBH	13	T36016084-01	1	Pocket-Control, Wireless
3	T36051116-01	4	Cap-Corner	14	104-8300	10	Nut-Flange, NI
5	T0000-7799-01	1	Wall-Hopper, Rear	15	3229-2	29	Screw-CARR
6	T0001-1626-01	1	Extension-Hopper, Front	16	T01-34550B	2	Skirt-Conveyor, Rubber
7	T36051112-01	1	Wall-Hopper, Right	17	T01-34551B	1	Rubber-Seal, Front
8	119-6903	10	Screw-HSBH	18	T36051140-01	1	Retainer-Skirt, Front
9	T01-44788D-03	1	Lift ASM	19	T36051540-01	2	Retainer-Skirt, Conveyor
10	T36051108-01	1	Wall-Hopper, Left	20	66-6140	3	Decal
11	104-7201	79	Nut-HF	21	119-6801	2	Decal-Propass 200, Wireless
12	119-6795	1	Wall-Hopper, Front	22	T0004-1839	1	Canister-Manual
12:2	119-0217	1	Decal-Danger				



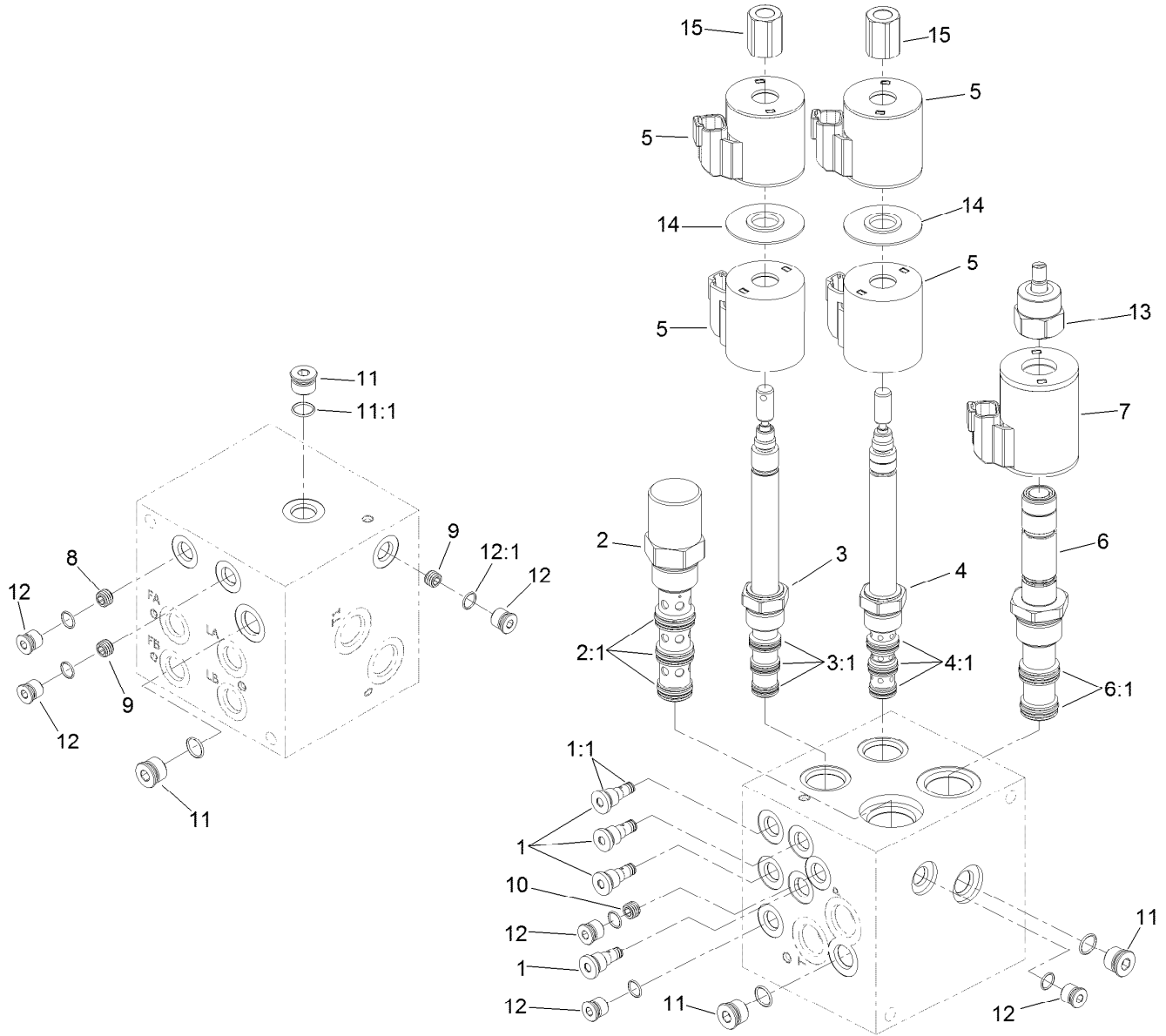
Tailgate Assembly

<i>Ref.</i>	<i>Part Number</i>	<i>Qty.</i>	<i>Description</i>	<i>Ref.</i>	<i>Part Number</i>	<i>Qty.</i>	<i>Description</i>
1	28-8070	1	Lanyard	13	119-6903	6	Screw-HSBH
2	3290-467	1	Pin-Hair	15	T0000-2561-01	1	Frame-Gate
3	T0001-6926	1	Pin-Tailgate	16	T0000-2623	2	Washer-Poly, Ultra High Molecular Weight
4	106-1392	1	Ring-Retaining, Spiral (EXT)	17	110-6894	2	Washer-Pivot
5	104-7201	20	Nut-HF	18	T0002-0682	1	Handle-Adjustable
6	T0000-2597	7	Tine-Gate	19	T36051127	1	Pad-Wear, Gate
7	T0000-2588-01	1	Gate Tine ASM	20	3290-141	10	Screw-HSFH
8	321-4	7	Screw-HH	21	119-6906	3	Screw-HSBH
9	T0000-2564-01	1	Gate	22	104-8300	6	Nut-Flange, NI
10	T62021000	1	Grip-Handle	23	119-6808	1	Decal-Propass, Volume
11	3233-2	1	Screw-CARR	24	119-6818	1	Decal-Tail Gate
12	T0000-2585	2	Rod-Hinge				



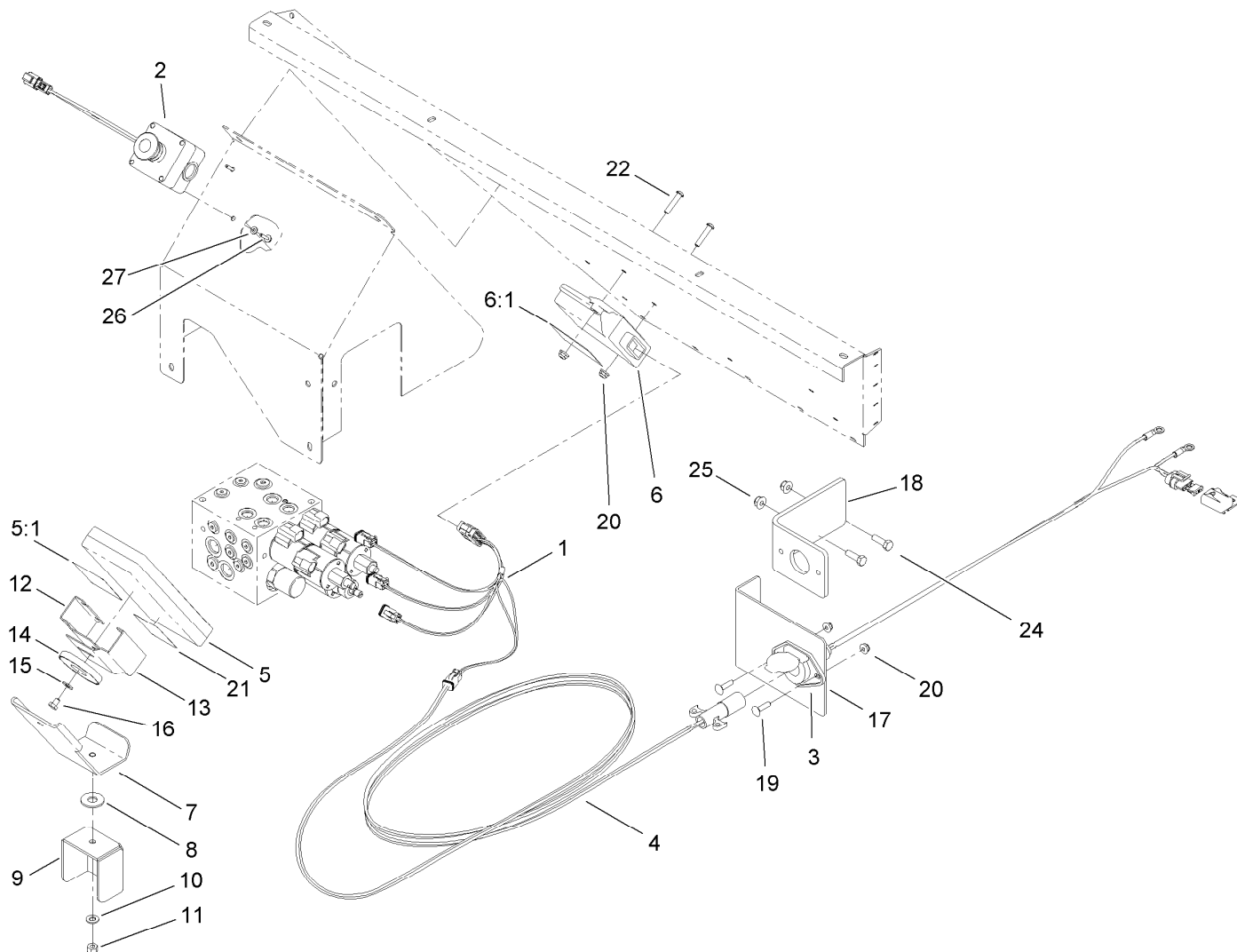
Hydraulic System Assembly

Ref.	Part Number	Qty.	Description	Ref.	Part Number	Qty.	Description
1	119-6945	2	HYD Hose ASM	10:2	237-80	1	O-Ring
2	119-6946	1	HYD Hose ASM	11	56-7974	12	Clamp-Tube
2:3	237-79	1	O-Ring	12	3256-22	2	Washer-Flat
3	119-6947	1	HYD Hose ASM	13	3256-23	2	Washer-Flat
3:3	237-79	1	O-Ring	14	3253-4	2	Washer-Lock
4	T0000-7792	1	HYD Block ASM	15	321-19	3	Screw-HH
5	353-989	2	Plug-Hex, Hollow	16	322-29	2	Screw-HH
5:1	237-42	1	O-Ring	17	T36053150-01	1	Guard-Control Panel
6	340-5	2	Fitting-Straight	18	321-4	2	Screw-HH
6:1	237-42	1	O-Ring	19	119-6906	2	Screw-HSBH
6:2	237-30	1	O-Ring	20	104-7201	2	Nut-HF
7	340-4	4	Fitting-HYD, Straight	21	119-6815	1	Decal-Tighten Bolts
7:1	237-30	1	O-Ring	22	120-0843	1	Bracket-Knob
7:2	237-79	1	O-Ring	23	108-2356	1	Knob
8	98-4699	1	Female-Disconnect, Quick	24	3217-6	1	Nut-Hex
8:1	100-4165	1	Seal Kit	25	3296-29	2	Nut-Lock, NI
9	98-4698	1	Male-Disconnect, Quick	26	322-3	2	Screw-HH
10	340-89	2	Fitting-HYD, 45 DEG	27	340-152	2	Cap-HYD
10:1	237-30	1	O-Ring	28	T36033040	3	Plate-Clamp



Hydraulic Block Assembly No. T0000-7792

Ref.	Part Number	Qty.	Description	Ref.	Part Number	Qty.	Description
1	120-9415	4	Valve-Check	7	120-0920	1	Coil-Valve
1:1	125-0100	1	Seal Kit	8	110-8883	1	Plug-Orifice (0.040)
2	120-9416	1	Valve-Pressure Compensator	9	110-8889	2	Plug-Orifice (0.020)
2:1	110-6111	1	Seal Kit	10	120-9422	1	Plug-Orifice (0.068)
3	120-9417	1	Valve-Solenoid	11	353-508	4	Plug-HH
3:1	110-8908	1	Spool Valve Seal Kit	11:1	237-42	1	O-Ring
4	120-9418	1	Valve-Solenoid	12	353-990	6	Plug ASM
4:1	110-8908	1	Spool Valve Seal Kit	12:1	237-78	1	O-Ring
5	119-4619	4	Coil-Solenoid	13	125-0101	1	Nut-Coil
6	120-9420	1	Valve-Proportional Flow	14	117-8316	2	Spacer-E Coil
6:1	114-5515	1	Seal Kit	15	125-0102	2	Nut-Coil

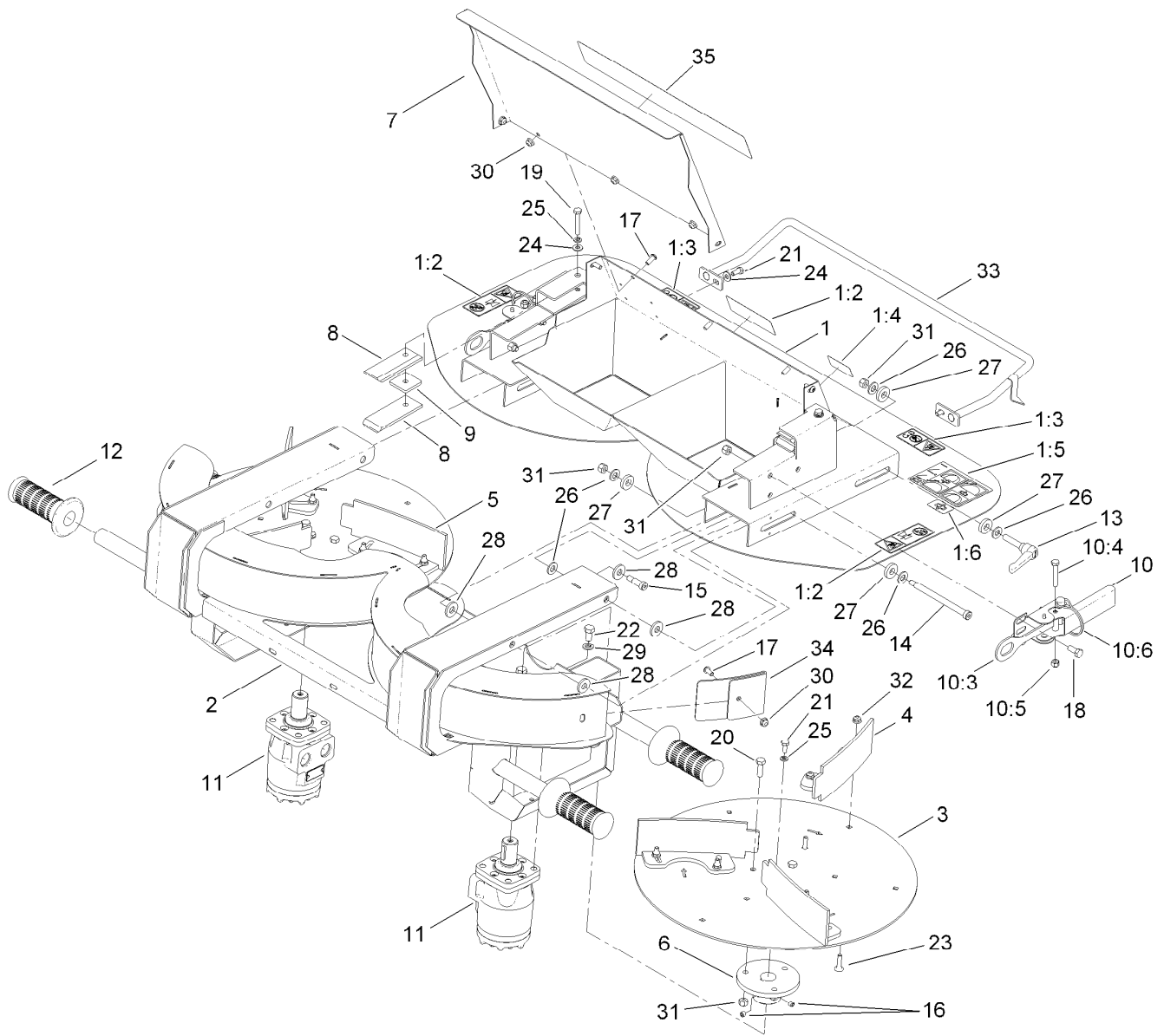


Wireless Electrical Assembly

Ref.	Part Number	Qty.	Description
1	119-6908	1	Harness-Wire, Bulkhead
2	119-6909	1	Stop-Emergency ●
3	119-6910	1	Harness-Wire, Universal Power Lead ●
4	119-6911	1	Harness-Wire, Intermediate Power ●
5	T0002-1764	1	2.4 Ghz Wireless Remote ASM
5:1	119-6813	1	Decal-Wireless Console
6	T0002-1765	1	Wireless Remote Base Unit ASM
6:1	119-6830	1	Decal-Base Unit
7	T0002-8685-01	1	Mount-Controller
8	T0000-2623	1	Washer-Poly, Ultra High Molecular Weight
9	T0002-8666-01	1	Base-Swivel
10	3256-23	1	Washer-Flat

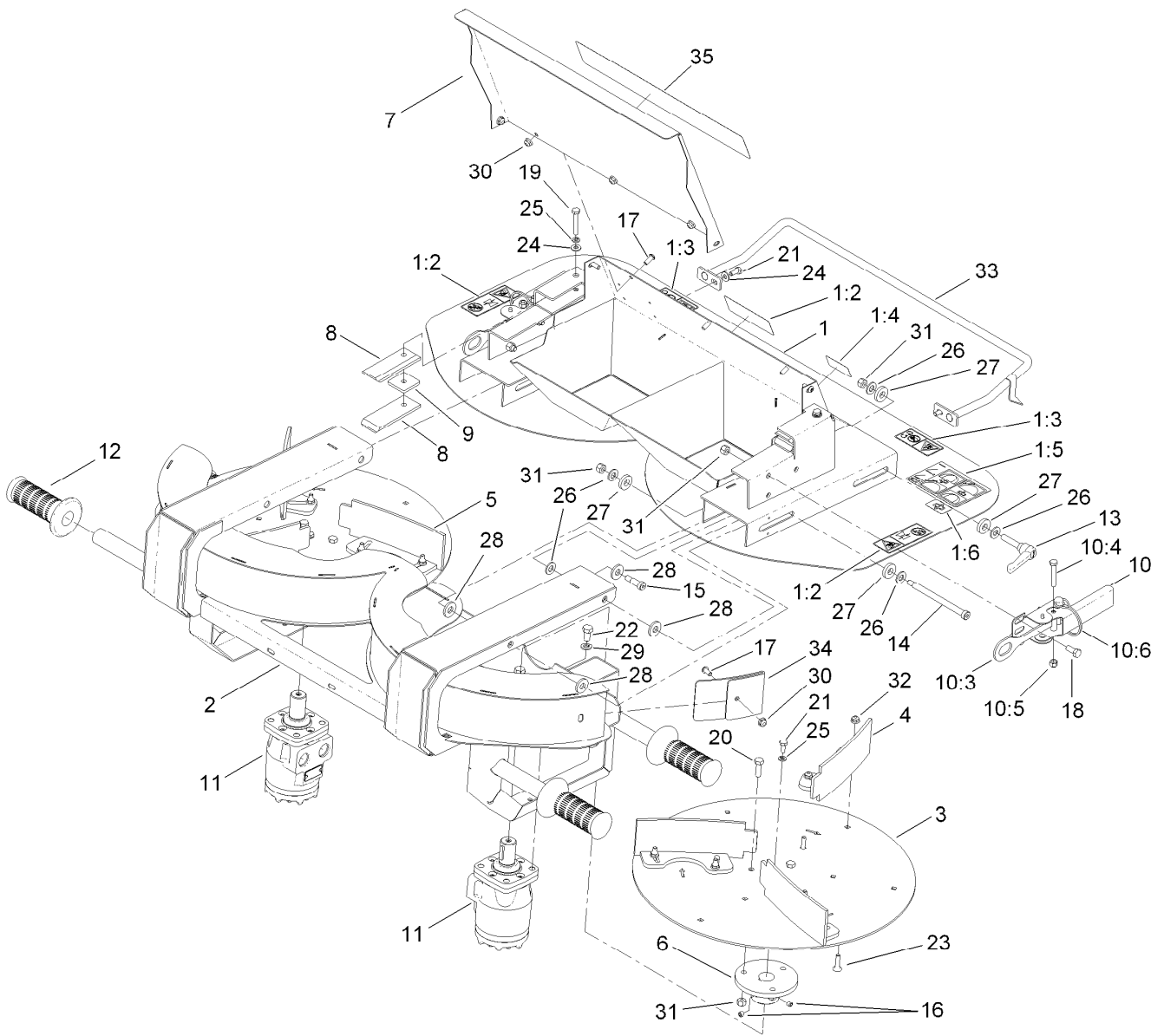
Ref.	Part Number	Qty.	Description
11	3296-29	1	Nut-Lock, NI
12	T0002-9252-01	1	Sleeve-Half
13	T0002-9249-01	1	Sleeve-Half
14	T0002-8729	1	Magnet-Ceramic, Encased
15	3256-22	1	Washer-Flat
16	321-1	1	Screw-HH
17	T36054020	1	Bracket-Socket
18	T36054030	1	Bracket-Socket, Heavy
19	3229-2	2	Screw-CARR
20	104-7201	4	Nut-HF
21	119-6819	1	Decal-Wireless Control
22	120-0834	2	Screw-HSBH
24	322-5	2	Screw-HH
25	104-8300	2	Nut-Flange, NI
26	98-1375	2	Screw-HWH
27	3256-14	2	Washer-Flat

● Not illustrated



Twin Spinner Assembly

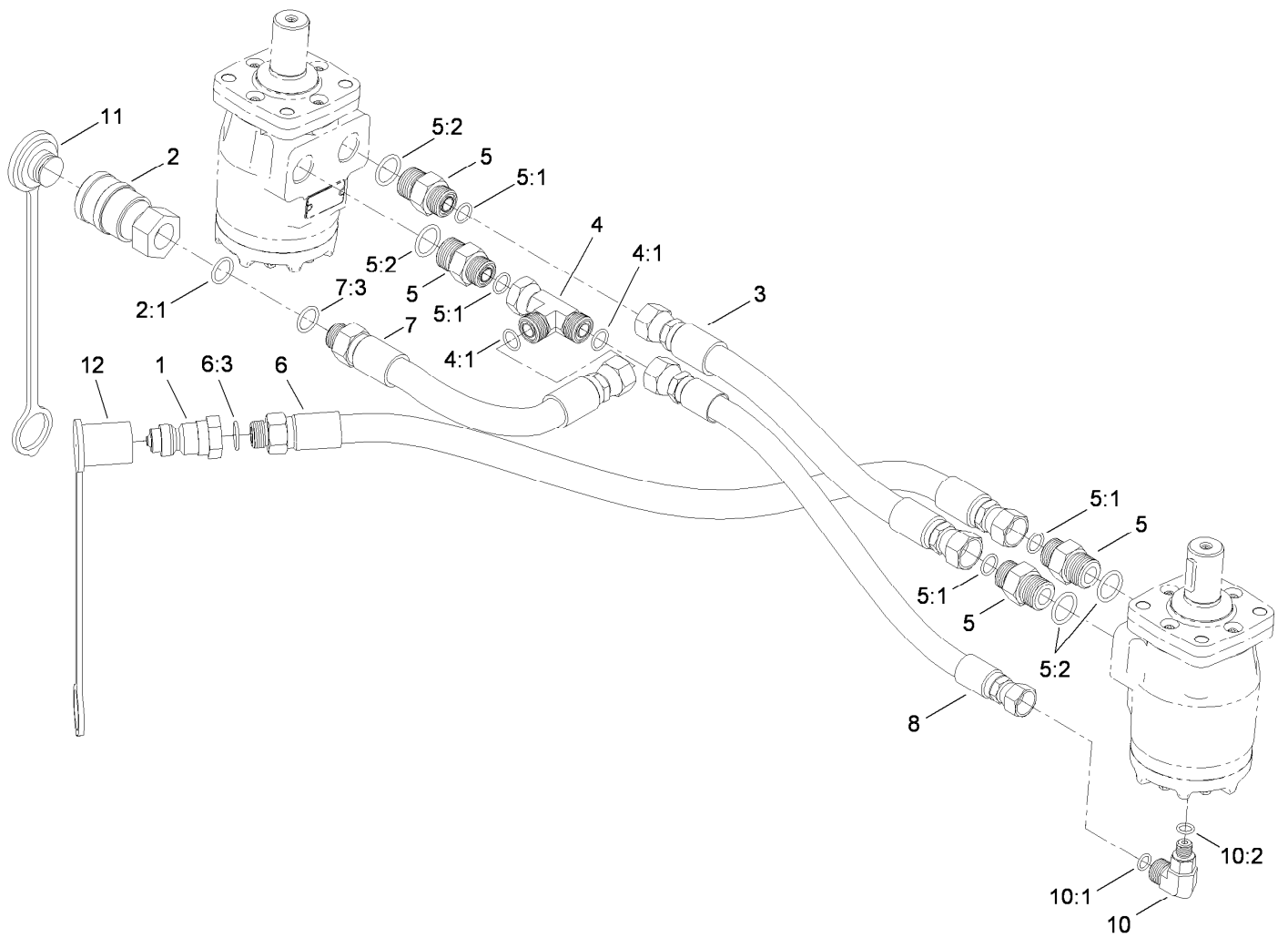
Ref.	Part Number	Qty.	Description	Ref.	Part Number	Qty.	Description
1	119-6793	1	Top Plate ASM	12	T62021010	4	Grip-Vinyl, Black
1:2	119-6804	3	Decal-Warning, Bystanders	13	T0000-2676	2	Handle-Adjustable
1:3	119-6805	2	Decal-Warning, Moving Parts	14	119-6914	2	Screw-Shoulder, HSH
1:4	119-6810	1	Decal-Propass, Lift	15	119-6915	2	Screw-Shoulder, HSH
1:5	119-6817	1	Decal-Fine Tuning	16	3246-2	4	Screw-Set, HSH
1:6	119-6816	1	Decal-Adjustment, Slide	17	119-6906	7	Screw-HSBH
2	T36054605-01	1	Spinner Frame ASM	18	322-3	6	Screw-HH
3	T36054790-01	2	Disk-Spinner	19	321-10	2	Screw-HH
4	T0001-2003-01	3	Left Curved Paddle ASM	20	322-5	6	Screw-HH
5	T0001-2002-01	3	Right Curved Paddle ASM	21	321-3	4	Screw-HH
6	T36054780	2	Hub-Disk, Spinner	22	323-4	8	Screw-HH
7	T0000-7676-01	1	Guard-Deflector, Sand	23	119-6920	12	Bolt-Carriage
8	T0000-2191	4	Slide-Attachment	24	3256-22	4	Washer-Flat
9	T0000-2189	2	Spacer-Attachment	25	3253-3	4	Washer-Lock
10	T36054750	2	Quick Attach Latch ASM	26	3256-24	10	Washer-Flat
10:3	T0002-1281-01	1	Hook ASM	27	T0000-2386	8	Washer-Plain
10:4	321-10	1	Screw-HH	28	T0000-2160	8	Washer-Plain
10:5	3296-42	1	Nut-Lock, NI	29	3253-21	8	Washer-Lock
10:6	100-1663	1	Pin-Hitch	30	104-7201	7	Nut-HF
11	T0001-9863	2	HYD Motor ASM	31	3296-29	16	Nut-Lock, NI
				32	119-6921	12	Nut-Hex, Flange



Twin Spinner Assembly (continued)

<i>Ref.</i>	<i>Part Number</i>	<i>Qty.</i>	<i>Description</i>
33	T0000-7686-01	1	Handle-Slide

<i>Ref.</i>	<i>Part Number</i>	<i>Qty.</i>	<i>Description</i>
34	T0002-2373-01	2	Plate-Wear, Spinner
35	119-6814	1	Decal-Operating System



Twin Spinner Hydraulic Assembly

<i>Ref.</i>	<i>Part Number</i>	<i>Qty.</i>	<i>Description</i>	<i>Ref.</i>	<i>Part Number</i>	<i>Qty.</i>	<i>Description</i>
1	98-4698	1	Male-Disconnect, Quick	7	120-0812	1	HYD Hose ASM
2	98-4699	1	Female-Disconnect, Quick	7:3	237-79	1	O-Ring
2:1	100-4165	1	Seal Kit	8	120-0810	1	HYD Hose ASM
3	117-0180	1	Hose-HYD	10	340-97	1	Fitting-HYD, 90 DEG
4	340-104	1	Fitting-HYD, Tee	10:1	237-22	1	O-Ring
4:1	237-30	2	O-Ring	10:2	237-78	1	O-Ring
5	340-6	4	Fitting-HYD, Straight	11	T56152150	1	Plug-Quick Connect, 1/2 Inch
5:1	237-30	1	O-Ring	12	T56152152	1	Cap-Quick Connect, 1/2 Inch
5:2	237-80	1	O-Ring				
6	120-0842	1	HYD Hose ASM				
6:3	237-79	1	O-Ring				

Attachments and Accessories

For 44700 ProPass-200 Top Dresser with Twin Spinner and Wireless Control

Product Name	Model/Part
Twin Spinner	44702
Conveyor and Swivel Kit	44703
Tow-Type Chassis	44704
Fender Kit, Tow-Type Chassis	44705
Hose Assembly Kit, Tow-Type Chassis	44706
Toro Workman Chassis	44707
Storage Stand	44712
Hydraulic Power Pack	44713

Notes:

Notes:

Notes:



Count on it.