



MODEL NO. 51580 - 1000001 & UP


OPERATOR'S
MANUAL

300 AIR RAKE™

IMPORTANT SAFETY INSTRUCTIONS



WARNING

To assure maximum safety, best performance, and to gain knowledge of the appliance, it is essential that you or any other operator of the appliance read and understand the contents of this manual before operating the appliance. Pay particular attention to the safety alert symbol  which means CAUTION, WARNING OR DANGER — “personal safety instruction.” Read and understand the instruction because it has to do with safety. FAILURE TO COMPLY WITH INSTRUCTION MAY RESULT IN PERSONAL INJURY, RISK OF FIRE OR ELECTRICAL SHOCK.

SAVE THESE INSTRUCTIONS!

BEFORE OPERATING

1. Read and understand the contents of this manual before using the appliance. Be thoroughly familiar with the proper use of the appliance.
2. Keep everyone, especially children and pets, away from area of operation. Never allow children to operate the appliance. It is not a toy. Never allow adults to operate unit without first reading the Operator's Manual.
3. Always wear safety goggles or other suitable eye protection.
4. Never operate the appliance in wet or damp conditions. DO NOT USE IN THE RAIN.
5. Electric shock could occur if appliance is used on wet surfaces. Do not expose to rain. Store indoors.
6. Dress properly. Do not wear loose clothing or jewelry. They can catch in moving parts. Pin up long hair. Always wear substantial footwear and long pants.
7. Always wear an approved dust mask when using unit in dusty conditions.
8. Use the right appliance. Do not use the appliance for any job except that for which it was intended.
9. Use only Toro attachments with the appliance.
10. To reduce the risk of electric shock, use only an approved UL extension cord suitable for outdoor use. Replace a damaged extension cord immediately.
11. Properly connect extension cord to power supply cord to prevent disconnection of the cords (Fig. 2).
12. Avoid unintentional starting. Do not carry plugged in appliance with finger on switch.
13. Do not handle plug or appliance with wet hands.
14. Don't abuse cord. Do not unplug by pulling on cord. To unplug, grasp the plug, not the cord.
15. Keep cord away from extreme heat, oil, and sharp edges. Replace damaged cords.
16. Never blow debris in the direction of bystanders or animals.
17. Do not use appliance with any blocked opening; keep free of dust, lint, hair, and anything that may reduce air flow.
18. Always be sure of your footing. Keep a firm hold on the handle and walk, never run. Use extra care on stairs.
19. Stop the motor and unplug the supply cord whenever you leave the appliance, before cleaning the housing, and when making any repairs or inspections.
20. When not in use, store your appliance in a dry place out of the reach of children.
21. Keep all fasteners tight to be sure the appliance is in safe working condition.
22. Never operate without proper guards or other protective safety devices in place.
23. Do not put hands or feet near rotating parts. Keep clear at all times.

SAFETY INSTRUCTIONS

24. If the appliance should start to vibrate abnormally, stop the motor and check immediately for the cause. Vibration is generally a warning of trouble.

25. Do not operate your appliance after it has been dropped or damaged. Return it to your nearest authorized service dealer for inspection or repair.

26. This appliance is provided with double insulation. Use only identical replacement parts. See page 3 for Servicing of Double Insulation Appliance.

27. When servicing use only identical replacement parts. Replace or repair damaged cords.

28. This appliance is intended for residential household use only.

ASSEMBLY INSTRUCTIONS

ATTACH OUTLET TUBE

1. Align tube so nozzle curves up when in use (Fig. 1).

2. Push tube onto blower outlet (Fig. 1).

Note: If tube cannot be pushed easily onto blower outlet, use a damp sponge to wipe inside of tube where it assembles to blower outlet.

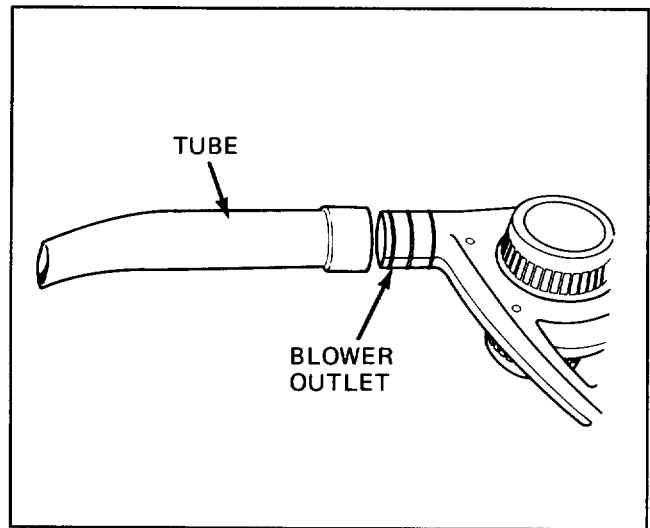
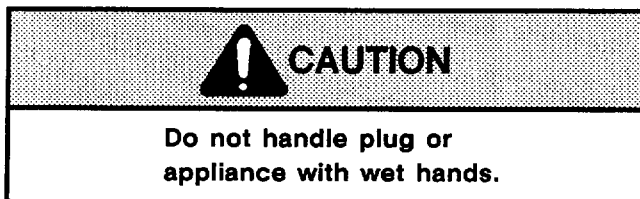


Figure 1

BEFORE OPERATING

SECURING POWER SUPPLY CORD



Note: The proper extension cord is a requirement for safe and efficient use of your appliance. Use only a UL listed extension cord, recommended for outdoor use and with a maximum length of 100 feet (minimum 16 gauge).

1. Secure the power supply cord and a suitable extension cord as shown in Figure 2.

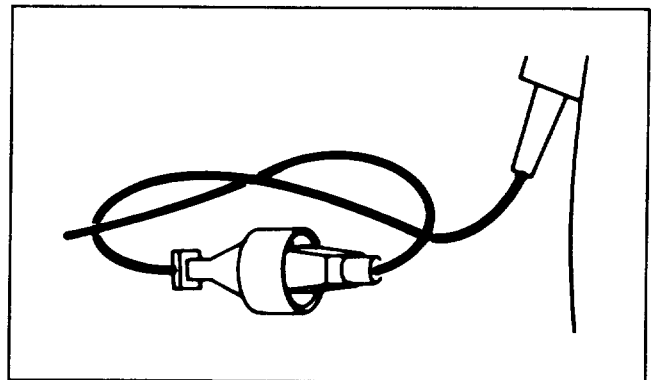


Figure 2

OPERATING INSTRUCTIONS



CAUTION

Always wear safety goggles or other suitable eye protection, long pants, and shoes while operating appliance. Be sure work area is clear of bystanders and pets.

Use extra care when cleaning debris from stairs.

BLOWER

Your blower will easily blow debris from patios, walkways, garages, lawns, bushes, etc. and many hard to reach places that debris can accumulate.

To turn blower on, push on/off switch (Fig. 3) to "on" position. To turn blower off, push on/off switch to "off" position.

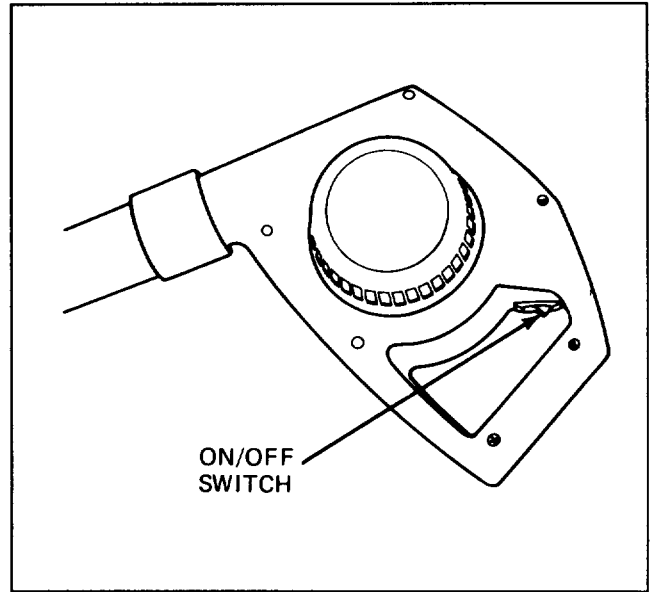


Figure 3

MAINTENANCE

SERVICING DOUBLE-INSULATED APPLIANCE

In this double-insulated appliance, two systems of insulation are provided instead of grounding. No grounding means is provided, nor should means

of grounding be added to the appliance. Servicing a double-insulated appliance requires extreme care and knowledge of the system. Servicing should be done only by an Authorized Toro Service Dealer who uses only identical, genuine Toro replacement parts.

PRODUCT IDENTIFICATION

A model and a serial number decal is located on the blower housing. Always refer to specific numbers on this decal in correspondence or when replacement parts are needed.

TORO SERVICE SUPPORT

If help – concerning safety, set-up, operation, maintenance, or troubleshooting – is ever needed, contact the local Authorized TORO Service Dealer or Distributor. Refer to the "Yellow Pages" for assistance. In addition to skilled service technicians, the dealer and distributor have factory approved accessories and replacement parts. Keep your TORO all TORO. Buy genuine TORO replacement parts and accessories.

The Toro Promise

A Full Two Year Residential Use Warranty

The Toro Company warrants this TORO Product for two years against defects in material or workmanship. To receive a replacement or repair, at Toro's option, just return the complete unit, postage prepaid, to the seller or any TORO Electric Service Dealer or the TORO Service Center, 5300 Shoreline Blvd., Mound, MN 55364, along with proof of purchase. This warranty covers product defects only. It does not cover incidental or consequential damages. Some states do not allow the exclusion or limitation of incidental or consequential damages, so the above limitation may not apply to you. This warranty gives you specific rights, and you may have other rights which vary from state to state.

COUNTRIES OTHER THAN THE UNITED STATES OR CANADA

Customers who have purchased TORO products exported from the United States or Canada should contact their TORO Distributor (Dealer) to obtain guarantee policies for your country, province, or state. If for any reason you are dissatisfied with your Distributor's service or have difficulty obtaining guarantee information, contact the TORO importer. If all other remedies fail, you may contact us at The Toro Company.