



14in Electric Trimmer

Model No. 51480—Serial No. 31200001 and Up

Operator's Manual



If you have questions or problems, contact us at www.Toro.com or call toll free 1-800-237-2654 (US) or 1-800-248-3258 (Canada) before returning this product.

Importer: SERVICIOS HOME DEPOT, S. DE R.L. DE C.V.

Ricardo Margain 605, Santa Engracia, San Pedro Garza García, Nuevo León, México, C.P. 66267 Tel. 01 800 004 6633

The warranty printed in the manual is not valid for Mexico.

General Safety Rules

WARNING: When using electric gardening appliances, basic safety precautions should always be followed to reduce the risk of fire, electric shock, and personal injury, including the following:

Read all instructions.

The term "power tool" in all of the warnings refers to your mains-operated (corded) power tool or battery-operated (cordless) power tool.

1. Work area safety

- Keep work area clean and well lit.** Cluttered or dark areas invite accidents.
- Do not operate power tools in explosive atmospheres, such as in the presence of flammable liquids, gases, or dust.** Power tools create sparks, which may ignite the dust or fumes.
- Keep children and bystanders away while operating a power tool.** Distractions can cause you to lose control.

2. Electrical safety

- Power tool plugs must match the outlet. Never modify the plug in any way. Do not use any adapter plugs with earthed (grounded) power tools.** Unmodified plugs and matching outlets will reduce risk of electric shock.
- Avoid body contact with earthed or grounded surfaces.** There is an increased risk of electric shock if your body is earthed or grounded.
- Do not abuse the cord. Never use the cord for carrying, pulling, or unplugging the power tool. Keep cord away from heat, oil, sharp edges, or moving parts.** Damaged or entangled cords increase the risk of electric shock.
- Do not expose power tools to rain or wet conditions.** Water entering a power tool will increase the risk of electric shock.
- If operating a power tool in a damp location is unavoidable, use a supply protected by a residual current device (RCD) in AUS or a ground fault interrupt (GFI) in the USA.**

Use of an RCD or GFI reduces the risk of electric shock.

- When operating a power tool outdoors, use an extension cord suitable for outdoor use.** Use of a cord suitable for outdoor use reduces the risk of electric shock.
- Disconnect the plug from the power source when the appliance is not in use.**

3. Personal safety

- Stay alert; watch what you are doing, and use common sense when operating a power tool. Do not use a power tool while you are tired or under the influence of drugs, alcohol, or medication.** A moment of inattention while operating power tools may result in serious personal injury.
- Use personal protective equipment. Always wear eye protection.** Protective equipment such as dust mask, non-skid safety shoes, hard hat, or hearing protection used for appropriate conditions will reduce personal injuries.
- Prevent unintentional starting. Ensure the switch is in the off-position before connecting to power source and/or battery pack, picking up or carrying the tool.** Carrying power tools with your finger on the switch or energizing power tools that have the switch on invites accidents.
- Do not overreach. Keep proper footing and balance at all times.** This enables better control of the power tool in unexpected situations.
- Dress properly. Do not wear loose clothing or jewelry. Keep your hair, clothing and gloves away from moving parts.** Loose clothes, jewelry, or long hair can be caught in moving parts.
- Keep hands and feet away from the cutting area.**
- The device should not be used by persons (including children) with reduced physical, sensory or mental abilities, or lack of experience or knowledge, unless such persons are supervised or training to operate the appliance by a person responsible for their safety. Children should be supervised to not use the device as a toy.**

4. Power tool use and care

- Do not force the power tool. Use the correct power tool for your application.** The correct power tool will do the job better and safer at the rate for which it was designed.
- Do not use the power tool if the switch does not turn it on and off.** Any power tool that cannot be controlled with the switch is dangerous and must be repaired.
- Disconnect the plug from the power source and/or the battery pack from the power tool before making any adjustments, changing accessories, or storing**



power tools. Such preventive safety measures reduce the risk of starting the power tool accidentally.

- D. **Remove the battery pack from the power tool before making any adjustments, changing accessories, or storing power tools.** Such preventive safety measures reduce the risk of starting the power tool accidentally.
 - E. **Store idle power tools out of the reach of children, and do not allow persons unfamiliar with the power tool or these instructions to operate the power tool.** Power tools are dangerous in the hands of untrained users.
 - F. **Store idle appliances indoors.** When not in use, appliances should be stored indoors in a dry and high or locked-up place, out of the reach of children.
 - G. **Maintain power tools. Check for misalignment or binding of moving parts, breakage of parts, and any other condition that may affect the operation of the power tool. If damaged, have the power tool repaired before use.** Many accidents are caused by poorly maintained power tools.
 - H. **Keep cutting tools sharp and clean.** Properly maintained cutting tools with sharp cutting edges are less likely to bind and are easier to control.
 - I. **Use the power tool in accordance with these instructions and in the manner intended for the particular type of power tool, taking into account the working conditions and the work to be performed.** Use of the power tool for operations different from those intended could result in a hazardous situation.
 - J. **Keep guards in place and in working order.**
5. **Service**

- A. **Have your power tool serviced by a qualified repair person using only identical replacement parts.** This will ensure that the safety of the power tool is maintained.
- B. **If the cord is damaged, it must be replaced by the manufacturer, its authorized service agent or a similarly qualified in order to avoid hazard.**

6. **Extension Cord**

Ensure that your extension cord is in good condition. When using an extension cord, use one heavy enough to carry the current your product will draw. An undersized extension cord will cause a drop in line voltage, resulting in loss of power and overheating. The following table lists the correct cord size depending on the length of the cord. If you are in doubt, use the next heavier gauge. The smaller the gauge number, the heavier the gauge.

Extension Cord Length	Minimum Wire Gauge (A.W.G.)
32.8 m (100 ft)	16
49.2 m (150 ft)	14

Note: Do not use an extension cord over 49.2 m (150 ft) long.

To reduce the risk of disconnection of the extension cord during use, connect the extension cord to the trimmer as illustrated in Operation (page 5).

SAVE THESE INSTRUCTIONS

Electrical specifications: 120V ~ 60Hz 5A

Safety and Instructional Decals



Safety decals and instructions are easily visible to the operator and are located near any area of potential danger. Replace any decal that is damaged or lost.

Symbol	Name	Designation/Explanation
AC	Alternating current	Type of current
A	Amperes	Current
Hz	Hertz	Frequency (cycles per second)
rpm	Revolutions per minute	Speed of string
V	Volts	Voltage

⚠ WARNING
To reduce the risk of electric shock, do not expose to water or operate on damp or wet ground - replace damaged cord immediately.

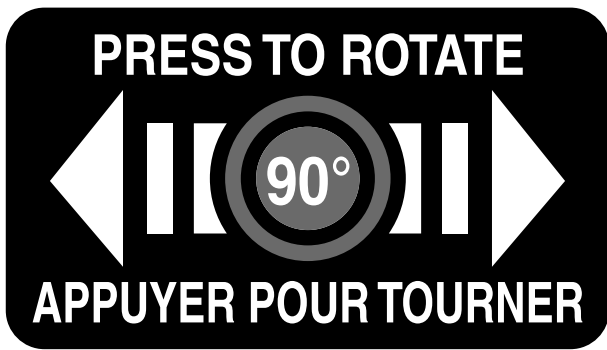
⚠ AVERTISSEMENT
Pour réduire le risque de choc électrique, évitez toute exposition à l'humidité et toute utilisation sur un sol humide ou détrempé. Remplacez immédiatement le cordon s'il est endommagé.

125-8323

⚠ WARNING
To reduce the risk of injury to persons, do not operate without guards in place.

⚠ AVERTISSEMENT
Pour réduire les risques de blessures, n'utilisez jamais la machine sans ses protections.

121-7615



121-7617

DESBROZADORA ELECTRICA / 14" Corded Electric String Trimmer

Marca/Brand: TORO
Modelo/Model: 51480
120 V~ 60 Hz 5A



Consumo energético/Energy consumption: 627.69 Wh
Consumo energético/Energy consumption (Modo espera/Stand by): N/A

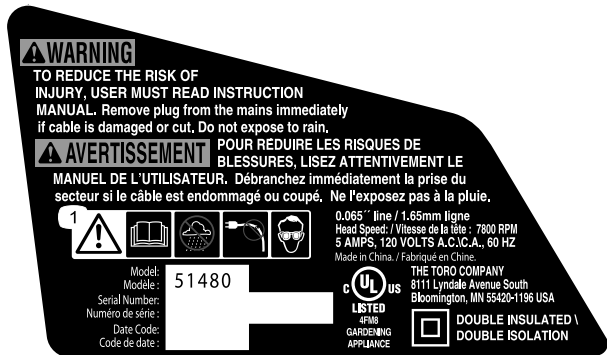
Importador/Imported by: SERVICIOS HOME DEPOT, S. DE R.L. DE C.V.
Ricardo Margain 605 Santa Engracia, San Pedro Garza García, N.L. C.P.
66267 Tel./Phone 01 800 004 6633

Lea y siga todas las instrucciones de seguridad y operación antes de usar este aparato/Read and follow all the safety and operation instructions before using this product.

HECHO EN CHINA/MADE IN CHINA

125-8325

125-8325



125-3274



125-8326

1. Warning—read the Operator's Manual; do not operate in wet conditions; do not operate if the cord is damaged; wear eye protection.

Setup

Loose Parts

Use the chart below to verify that all parts have been shipped.

Procedure	Description	Qty.	Use
1	Auxiliary handle	1	Install the auxiliary handle.
	Latch	1	
	Brace	1	
2	Guard	1	Install the guard.
	Phillips screw	1	
3	Edge guard	1	Install the edge guard.
4	No parts required	—	Adjust the trimmer height and the base position.

1

Installing the Auxiliary Handle

Parts needed for this procedure:

1	Auxiliary handle
1	Latch
1	Brace

1. Position the auxiliary handle on the shaft of the trimmer with the smooth surface facing the operator (Figure 1).

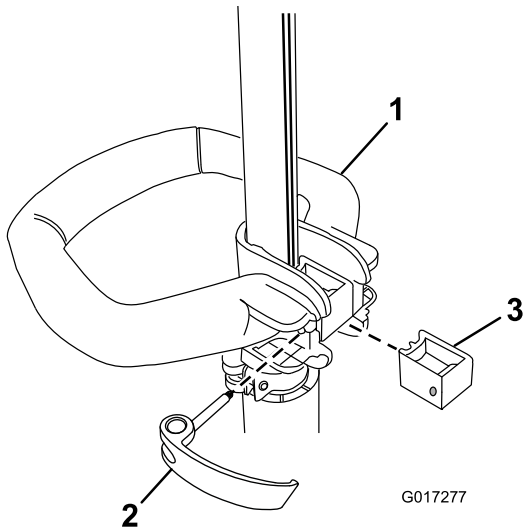


Figure 1

1. Auxiliary handle
2. Latch
3. Brace

2. Slide the brace into the auxiliary handle so that the brace rests in the groove along the shaft (Figure 1).
3. Slide the latch from the left through the handle and brace, and tighten the latch screw with a Phillips screwdriver (Figure 1).

2

Installing the Guard

Parts needed for this procedure:

1	Guard
1	Phillips screw

Procedure

1. Slide the guard onto the trimmer base as shown in Figure 2.

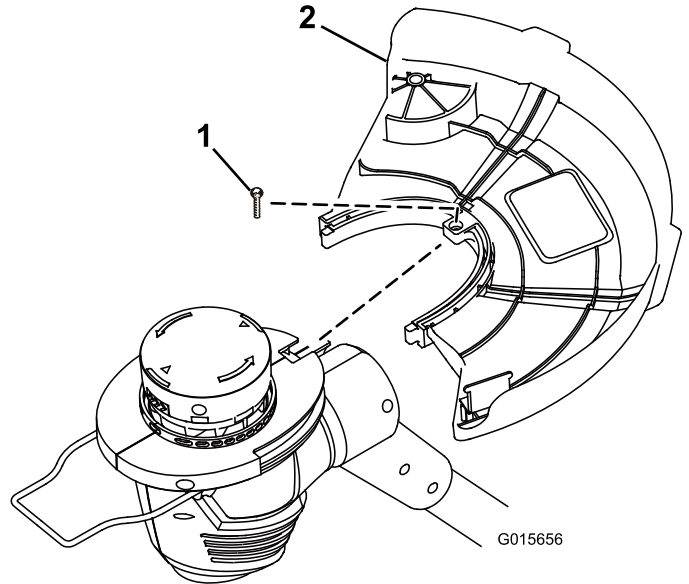


Figure 2

1. Phillips screw
2. Guard

2. Secure the guard using the Phillips screw.

3

Installing the Edge Guard

Parts needed for this procedure:

1	Edge guard
---	------------

Procedure

Insert the ends of the edge guard into the holes in the trimmer housing as shown in Figure 3.

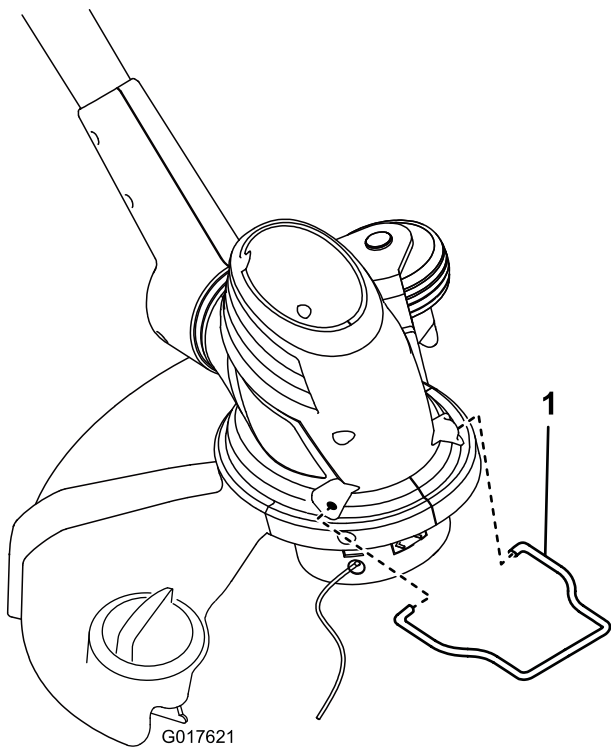


Figure 3

1. Edge guard

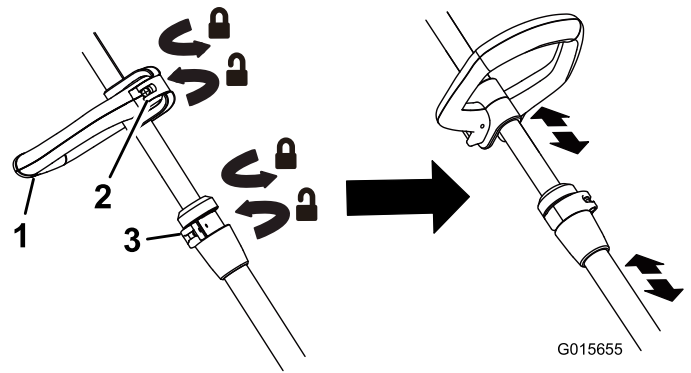


Figure 4

1. Auxiliary handle
2. Auxiliary-handle latch
3. Height-adjustment latch

- To adjust the trimmer height, open the height adjustment latch, then slide the shaft up or down to desired height, securing it in place with the latch (Figure 4).
- To adjust the position of the base, press down on the rotator button located at the base of the shaft, then move the base to face the desired direction (Figure 5).

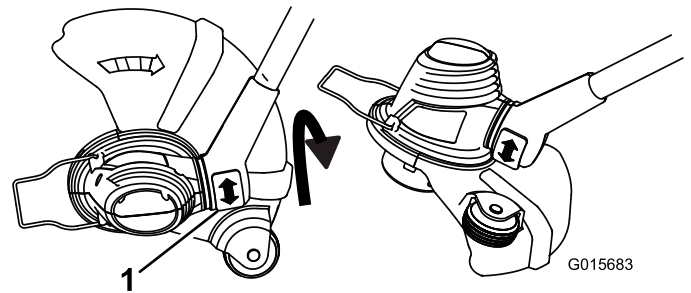


Figure 5

1. Rotator button

4

Adjusting the Trimmer Height and Base Position

No Parts Required

Procedure

- To adjust the auxiliary handle height, release the auxiliary handle latch, slide the auxiliary handle up or down to the desired height, then secure the auxiliary handle in place by closing the auxiliary latch (Figure 4).

Operation

Connecting to a Power Source

⚠ WARNING

If you do not fully seat the extension cord on the inlet plug, the loose plug could lead to overheating and cause a fire, possibly burning you or others.

Ensure that you fully seat the cord on the plug and use the cord lock feature to secure the cord.

NOTICE! Do not use a damaged cord.

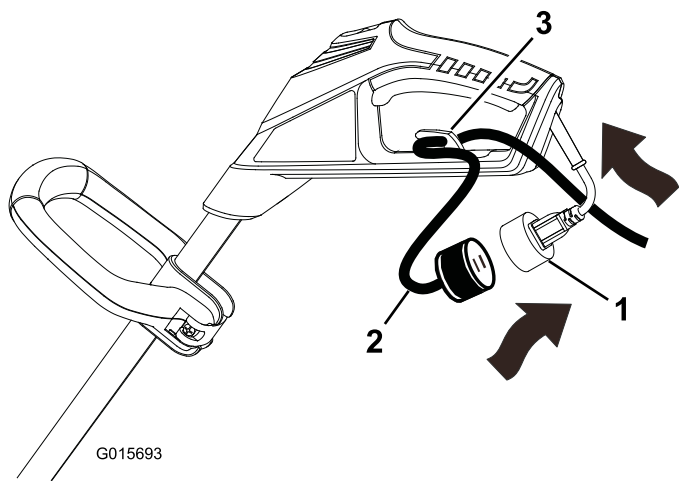


Figure 6

1. Inlet plug
2. Extension cord
3. Cord lock

Advancing the Line Manually

Disconnect the string trimmer from the power supply, then push the red button at the base of the spool retainer while pulling on the trimmer line to manually advance the line.

Trimming



Figure 8

Starting the Trimmer

To start the trimmer, slide the lock switch back to the On position, then squeeze the trigger (Figure 6).

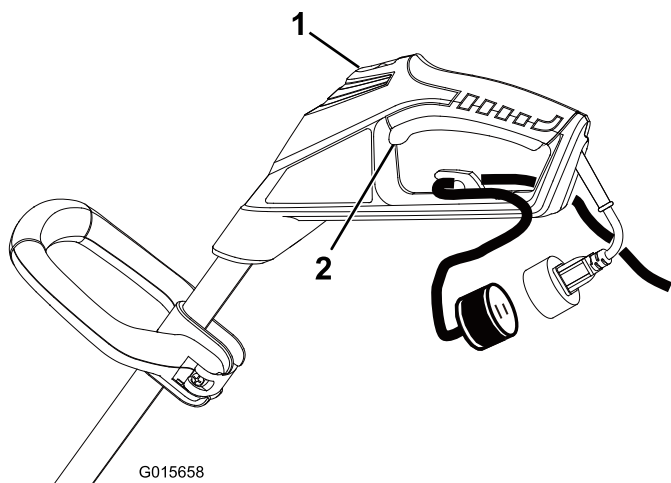


Figure 7

1. Lock switch
2. Trigger

Stopping the Trimmer

To stop the trimmer, release the trigger.

Advancing the Line

Note: The trimmer is equipped with an auto-feed head.

1. With the trimmer running, release the switch trigger.
2. Wait 2 seconds, then press the switch trigger.

Note: The line will extend approximately 6 mm (1/4 inch) with each stop and start of the switch trimmer until the line reaches the length of the grass deflector blade.

3. Resume trimming.

Edging

To convert the trimmer to an edger, press the rotator button and rotate the head as shown in Figure 9.

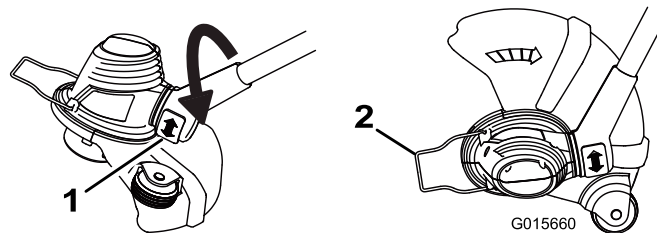


Figure 9

1. Rotator button
2. Edger guide

Operating Tips

- Keep the trimmer tilted toward the area being cut; this is the best cutting area.
- The string trimmer cuts when passing the unit from left to right. This avoids throwing debris at the operator.
- Use the tip of the string to do the cutting; do not force the string head into uncut grass.
- Using the trimmer along wire and picket fences, stone and brick walls, curbs, and wood can cause the line to rapidly wear and even break.
- Avoid trees and shrubs. Tree bark, wood moldings, siding, and fence posts can easily be damaged by the strings.

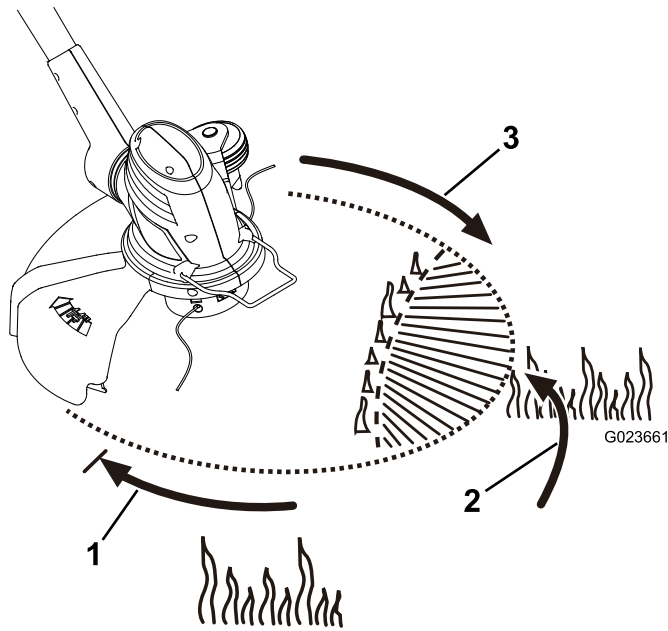


Figure 10

- 1. Direction of rotation
- 2. Ideal cutting range
- 3. String path

Maintenance

After each use of the trimmer, complete the following:

1. Wipe the trimmer clean with a damp cloth. **Do not hose the trimmer down or submerge it in water.**
2. Wipe or scrape clean any debris from the cutting-head area.
3. Check and tighten all fasteners. If any part is damaged or lost, repair or replace it.
4. Brush debris away from the air intake vents on the motor housing to prevent the motor from overheating.

Replacing the Spool

Note: Use only 1.65 mm (.065 in) diameter monofilament string. For best performance, use only Toro replacement string (part number 88512).

Important: Using a larger diameter string may cause the motor to overheat and fail.

1. Push in the tabs on the side of the spool retainer (Figure 11).

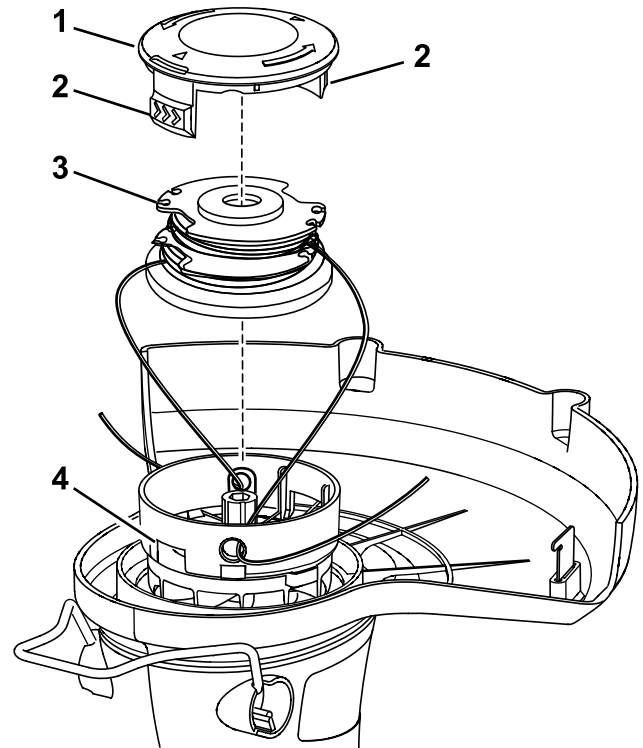


Figure 11

- | | |
|-------------------|----------|
| 1. Spool retainer | 3. Slots |
| 2. Spool | 4. Tabs |
-
2. Pull the spool retainer up to remove it.
 3. Remove the spool.
 4. Install the new spool, making sure that the strings are captured in the retaining slots on the new spool.
- Note:** Make sure that the ends of the strings extend approximately 152 mm (6 in).
5. Install the new spool so that the string ends align with the eyelets in the string head, and thread the string ends through the eyelets.
 6. Pull the strings extending from the string head so that the strings release from the slots in the spool.
 7. Install the spool retainer by pressing the tabs into the slots and pushing down on the spool until the spool retainer clicks into place.

Replacing the String

Important: Use only .065 inch (1.65 mm) diameter monofilament string. Do not use any other gauge or type of string, as this could damage the trimmer.

1. Remove the spool; refer to Replacing the Spool (page 7).
2. Remove any string remaining on the spool.
3. Insert the string into the anchor hole in the upper part of the spool (Figure 12).

Service

Toro has designed this product to give you years of trouble-free use. Should it need service, bring the product to an Authorized Toro Service Dealer who is specially trained to repair Toro products.

Double-insulated Appliance

In a double-insulated appliance, 2 systems of insulation are provided instead of grounding. No grounding means is provided on a double-insulated appliance, nor should a means for grounding be added to the appliance. Servicing a double-insulated appliance requires extreme care and knowledge of the system, and should be done only by the qualified service personnel at your Authorized Toro Service Dealer. Replacement parts for a double-insulated appliance must be identical to the parts that they replace. A double-insulated appliance is marked with the words "Double Insulation" or "Double Insulated." The symbol (square within a square) may also be marked on the appliance.

Storage

Store the trimmer and the extension cord indoors in a cool, dry location and out of the reach of children and animals.

NOTICE! Do not rest the trimmer on the guard, or it may warp and interfere with the cutting line.

Note: Devices for retaining extension cords are commercially available.

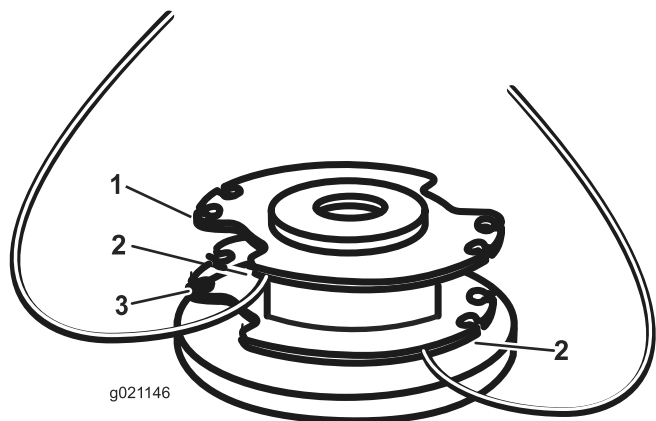


Figure 12

1. Slot in upper spool flange
2. Hole
3. Slot in lower spool flange

Note: Wind the string onto the spool in the direction shown by the arrows on the spool.

Note: The spool can accept up to 4.6 m (15 ft) of string.

4. Place the string ends in the slots on the upper spool flange, leaving about 152 mm (6 in) beyond the slot.

Note: Do not overfill the spool. After winding the string, there should be at least 6 mm (1/4 inch) between each of the wound strings and the outside edge of the spool.

5. Replace the spool and the spool retainer; refer to Replacing the Spool (page 7).

The Toro Promise - Electric Products

A Two-Year Full Warranty for Residential Use for the United States and Canada

The Toro Company and its affiliate, Toro Warranty Company, pursuant to an agreement between them, jointly warrant this product for two years against defects in material or workmanship when used for normal residential purposes.*

If you think your Toro Product contains a defect in materials or workmanship, if you have questions or problems, and before returning this product call toll free:

Trimmers:

1-800-237-2654 (US)
1-800-248-3258 (Canada)

Blowers:

1-888-367-6631 (US)
1-888-430-1687 (Canada)
1-800-574-3312 (Mexico)

Snowthrowers:

1-800-808-2963 (US)
1-800-808-3072 (Canada)

To receive a replacement or repair, at our option, return the complete unit to the seller. United States and Canada customers may return their product, with proof of purchase, to any Authorized Service Dealer. United States customers may also return their product, with proof of purchase, postage prepaid, to the Toro Service Center, 5500 SE Delaware, Ankeny, IA 50021.

This warranty covers product defects only. **Neither The Toro Company nor Toro Warranty Company is liable for indirect, incidental, or consequential damages in connection with the use of the Toro Products covered by this warranty, including any cost or expense of providing substitute equipment or service during reasonable periods of malfunction or non-use pending completion of repairs under this warranty. Some states do not allow exclusions of incidental or consequential damages, so the above exclusions may not apply to you.** This warranty gives you specific legal rights, and you may also have other rights which vary from state to state.

Countries Other than the United States and Canada

Customers who have purchased Toro products exported from the United States or Canada should contact their Toro Distributor (Dealer) to obtain guarantee policies for your country, province, or state. If for any reason you are dissatisfied with your Distributor's service or have difficulty obtaining guarantee information, contact the Toro importer. If all other remedies fail, you may contact us at Toro Warranty Company.

Australian Consumer Law

Australian customers will find details relating to the Australian Consumer Law either inside the box or at your local Toro Dealer.

* Residential use means use of the product on the same lot as your home.

Part Number 374-0262 Rev. D