



**Count on it.**

**Parts Catalog**

**Mauser KS-534 Full Safety Cab  
Kit**

**CT2120/CT2140/CT2240/LT3340 and  
Groundsmaster® 3400 Mowers**

**Model No. 02890—Serial No. 314000001 and Up**



# Ordering Replacement Parts

To order replacement parts, please supply the part number, the quantity, and the description of each part desired.

## Understanding Reference Numbers

Each identified part in an illustration has a reference number. The reference number for a part also appears in the parts list, along with other information about the part.

This catalog uses two special reference number formats, one to indicate parts in a service assembly and another to indicate the quantity of a given part in an illustration.

## Service Assembly Reference Numbers

Parts in service assemblies have reference numbers in the form a:b. The a represents the reference number of the entire service assembly and the b represents a sequential number unique to each part within the service assembly.

For example, a wheel assembly might be identified by reference number 6, the tire by 6:1, the valve by 6:2, and the wheel by 6:3. When you order the assembly identified by reference number 6, you receive all parts identified by reference numbers 6:1, 6:2, and 6:3. However, you may also order any part individually. Reference numbers of this type appear in illustration and in parts lists.

## Reference Numbers Indicating Quantity

In an illustration, if a reference number indicates more than one part, the reference number has the form nX y. The n represents the quantity of the part, the X is the multiplication symbol, and the y represents the reference number.

For example, in an illustration, the reference number 2X 37 means that two of the parts identified by reference number 37 are indicated.

# List of Abbreviations

**AR:** as required

**ASM:** assembly

**BBC:** blade brake control

**BHTF:** button head thread forming

**CARR:** carriage

**CCW:** counter clockwise

**CW:** clockwise

**DEG:** degrees

**DPA:** Dual Point Adjustment

**ECM:** electronic control module

**EXT:** external

**FH:** flat head

**GA:** gauge

**HD:** heavy-duty

**HF:** hex flange

**HH:** hex head

**HHF:** hex head flange

**HHFTF:** hex head flange thread forming

**HJ:** hex jam

**HLH:** hex lag head

**HOC:** height-of-cut

**HP:** high pressure

**HSBH:** hex socket button head

**HSFH:** hex socket flat head

**HSH:** hex socket head

**HWH:** hex washer head

**HWHTF:** hex washer head thread forming

**HYD:** hydraulic

**LH:** left hand

**LP:** low pressure

**LPG:** Liquefied Petroleum Gas

**NI:** nylon insert

**NPTF:** national pipe thread fine

**PFH:** phillips flat head

**PPH:** phillips pan head

**PPHTF:** phillips pan head thread forming

**PRH:** phillips round head

**PTH:** phillips truss head

**PTO:** power-take-off

**RH:** right hand

**ROPS:** roll-over protection system

**RRB:** rear roller brush

**SFH:** slotted fillister head

**SHH:** slotted hex head

**SHWH:** slotted hex washer head

**SPH:** slotted pan head

**SQH:** square head

**SRH:** slotted round head

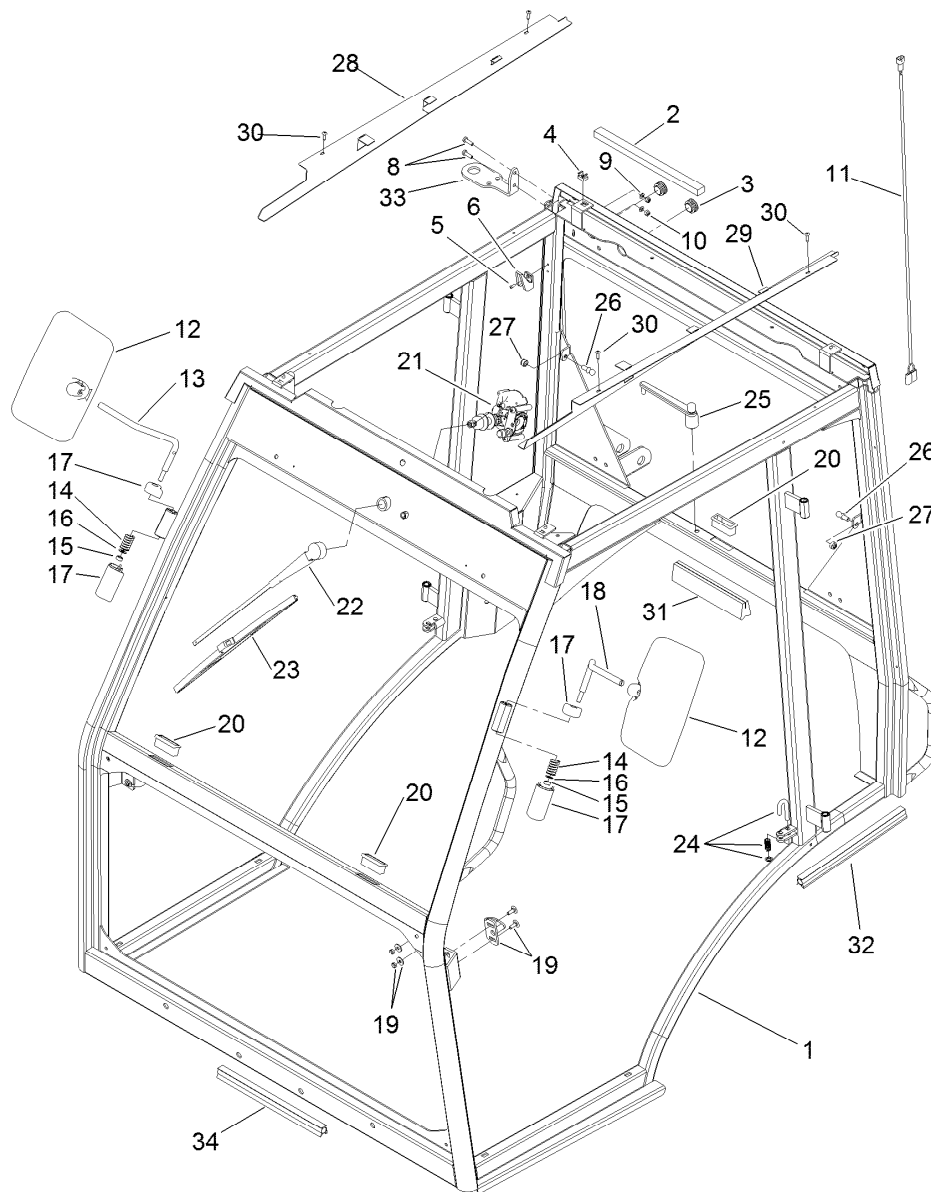
**STD:** standard

**TAP:** self tapping

**TTH:** torx truss head

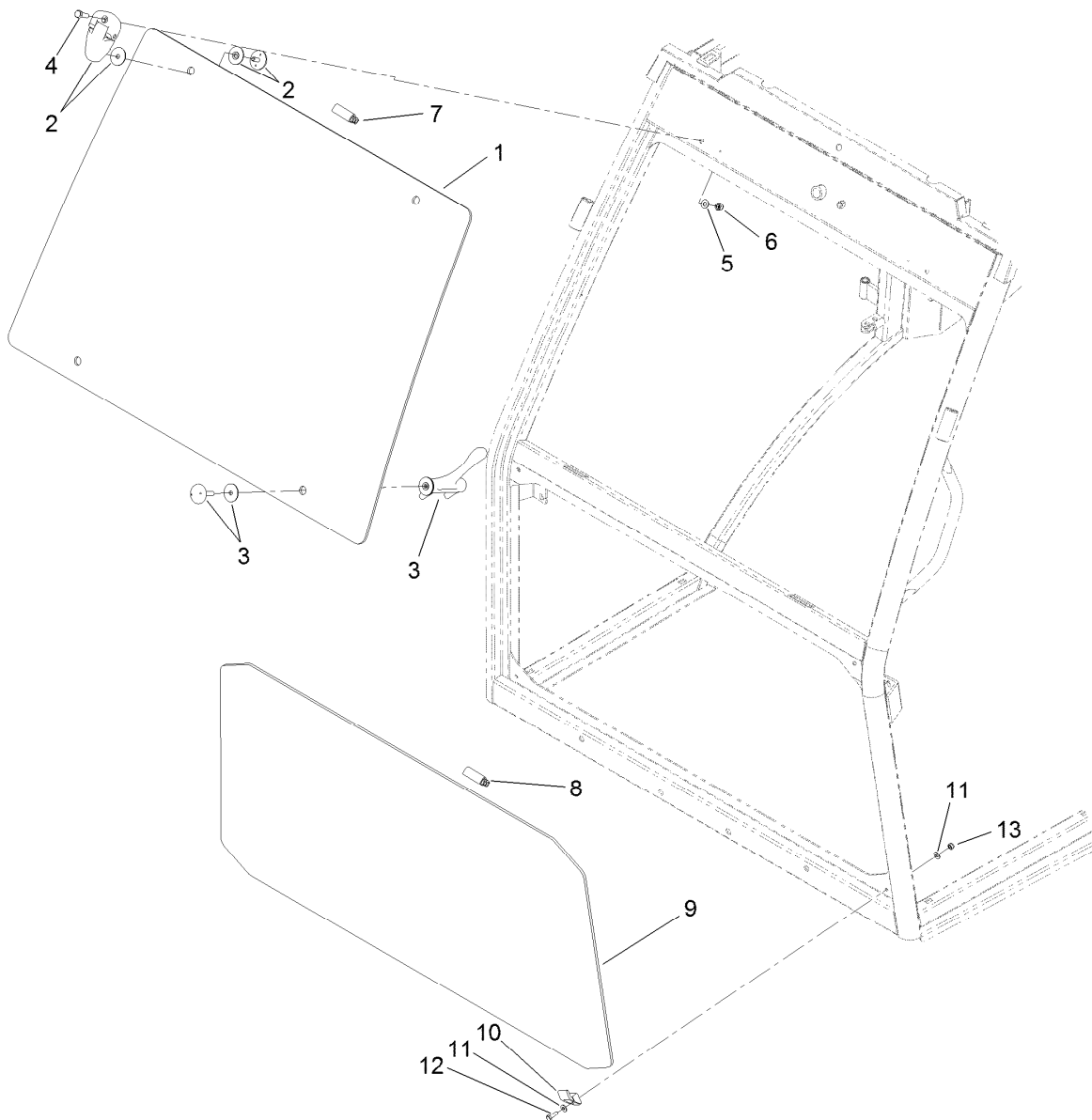
# Contents

Main Frame Assembly .....	4
Front Window Assembly .....	5
Rear Window Assembly .....	6
Left and Right Door Assembly .....	7
Left and Right Side Window Assembly .....	8
Roof Assembly .....	9
Roof Insert Assembly .....	10
Front Bracket and Support Assembly .....	12
Rear Support Assembly .....	13
Air Conditioning Assembly .....	14
Radio Installation Assembly .....	16
Washer Bottle Assembly .....	17
Noise Reduction Assembly .....	18
Attachments and Accessories .....	19



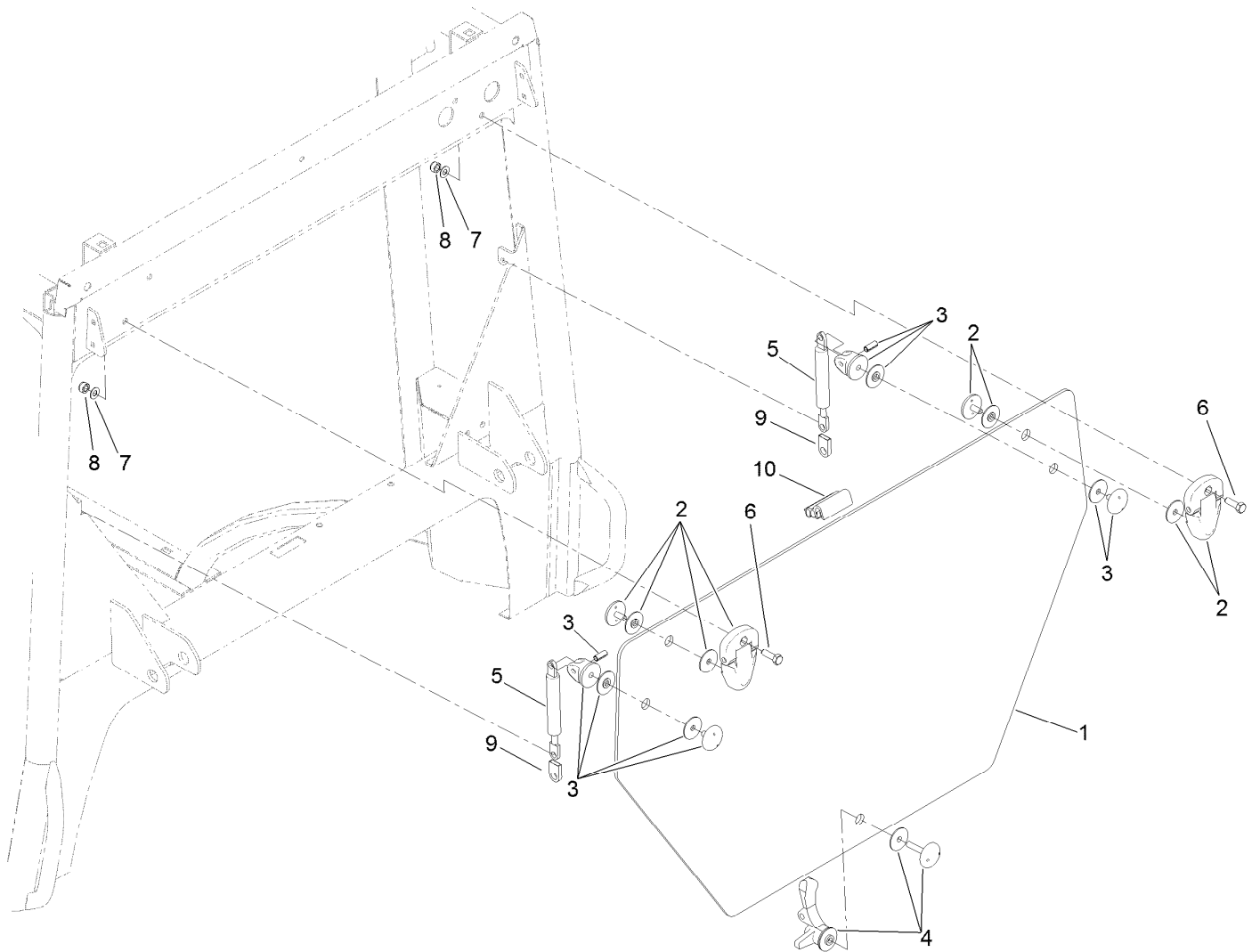
## Main Frame Assembly

Ref.	Part Number	Qty.	Description	Ref.	Part Number	Qty.	Description
1	111-7688	1	Frame-Cab	19	964105	2	Bolt-Locking
2	111-5357	5	Seal	20	111-5292	3	Insert
3	111-5343	2	Plug	21	111-5249	1	Motor-Wiper
4	111-5253	4	Nut-Captive	22	111-5338	1	Arm-Wiper
5	111-1694	1	Rivet	23	111-5337	1	Wiper ASM
6	964102	1	Hook	24	111-5352	1	Release-Spring, Door
8	09363	2	Screw-HH	25	111-5083	1	Stay-Window
9	ZWP1F000U	4	Washer-Plain	26	111-5367	2	Ball And Socket ASM
10	09438	2	Nut-Nyloc	27	09441	2	Nut-Hex, NI
11	111-5359	1	Harness-Beacon	28	111-5277	1	Trim-Top, Right
12	111-5346	2	Mirror-Side	29	111-5278	1	Trim-Top, Left
13	111-5336	1	Support-Mirror, Right	30	09320	6	Rivet
14	111-5344	2	Spring-Mirror	31	111-7072	1	Seal-Bulkhead, Rear
15	ZNH1H000U	2	Nut-Hex	32	111-5358	2	Seal-Rubber
16	09475	2	Washer	33	111-5283	1	Bracket-Beacon
17	111-5345	2	Cover-Mirror	34	111-5358	3	Seal-Rubber
18	111-5335	1	Support-Mirror, Left				



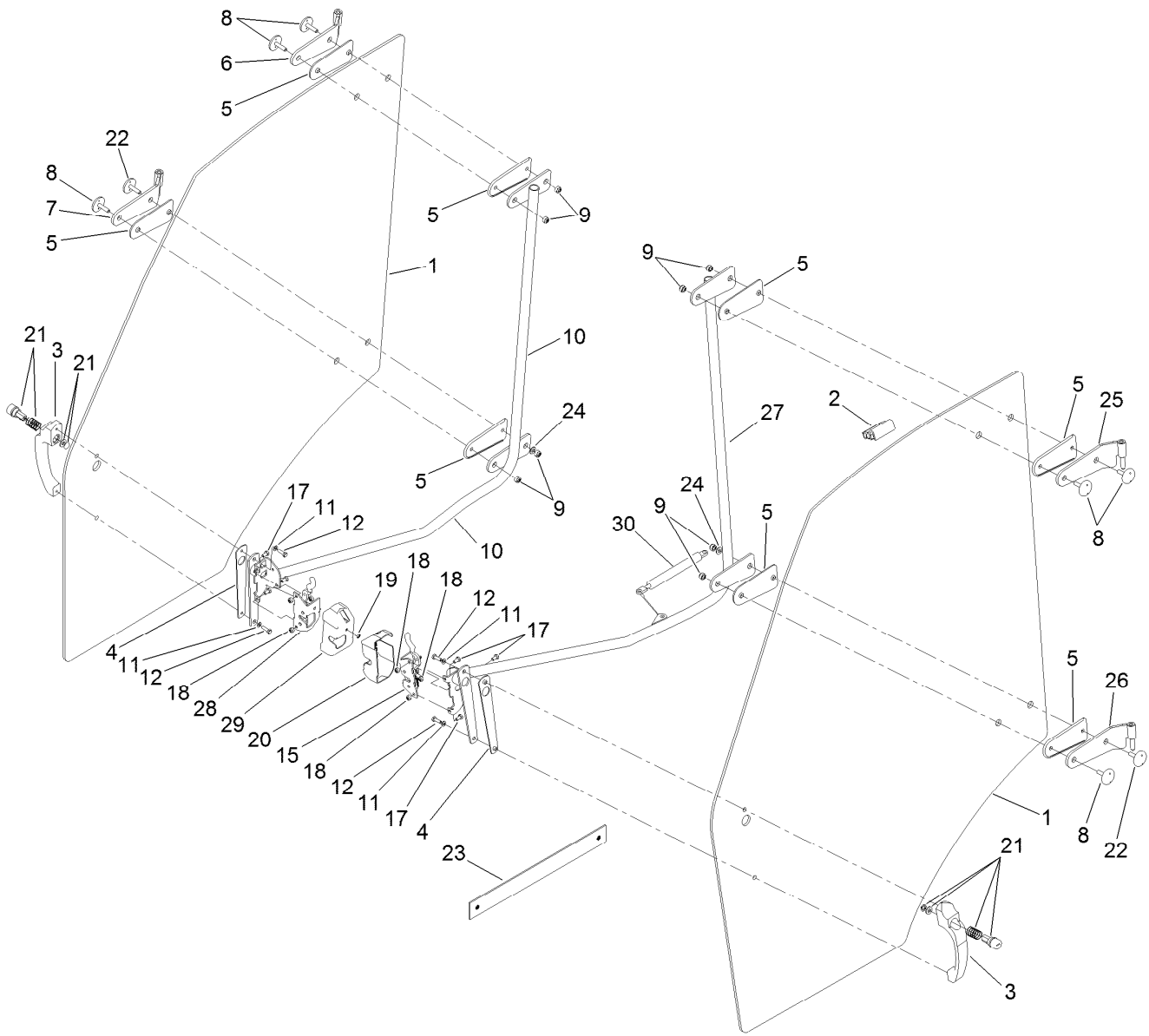
## Front Window Assembly

Ref.	Part Number	Qty.	Description
1	111-5074	1	Glass-Front
2	111-7689	2	Hinge, Window-Cab
3	111-5082	2	Buckle-Front
4	03162	2	Screw-HH
5	09475	2	Washer
6	09441	2	Nut-Hex, NI
7	964189	4	Seal
8	964189	3	Seal
9	111-5075	1	Glass-Lower, Front
10	111-5288	4	Fixing-Glass
11	ZWP1F000U	8	Washer-Plain
12	09363	4	Screw-HH
13	09438	4	Nut-Nyloc



## Rear Window Assembly

<i>Ref.</i>	<i>Part Number</i>	<i>Qty.</i>	<i>Description</i>
1	111-5076	1	Glass-Rear
2	111-7689	2	Hinge, Window-Cab
3	111-5291	2	Support
4	964230	1	Buckle
5	111-5266	2	Rear Gas Spring ASM
6	03162	2	Screw-HH
7	09475	2	Washer
8	09438	2	Nut-Nyloc
9	964208	2	Bracket
10	964189	4	Seal

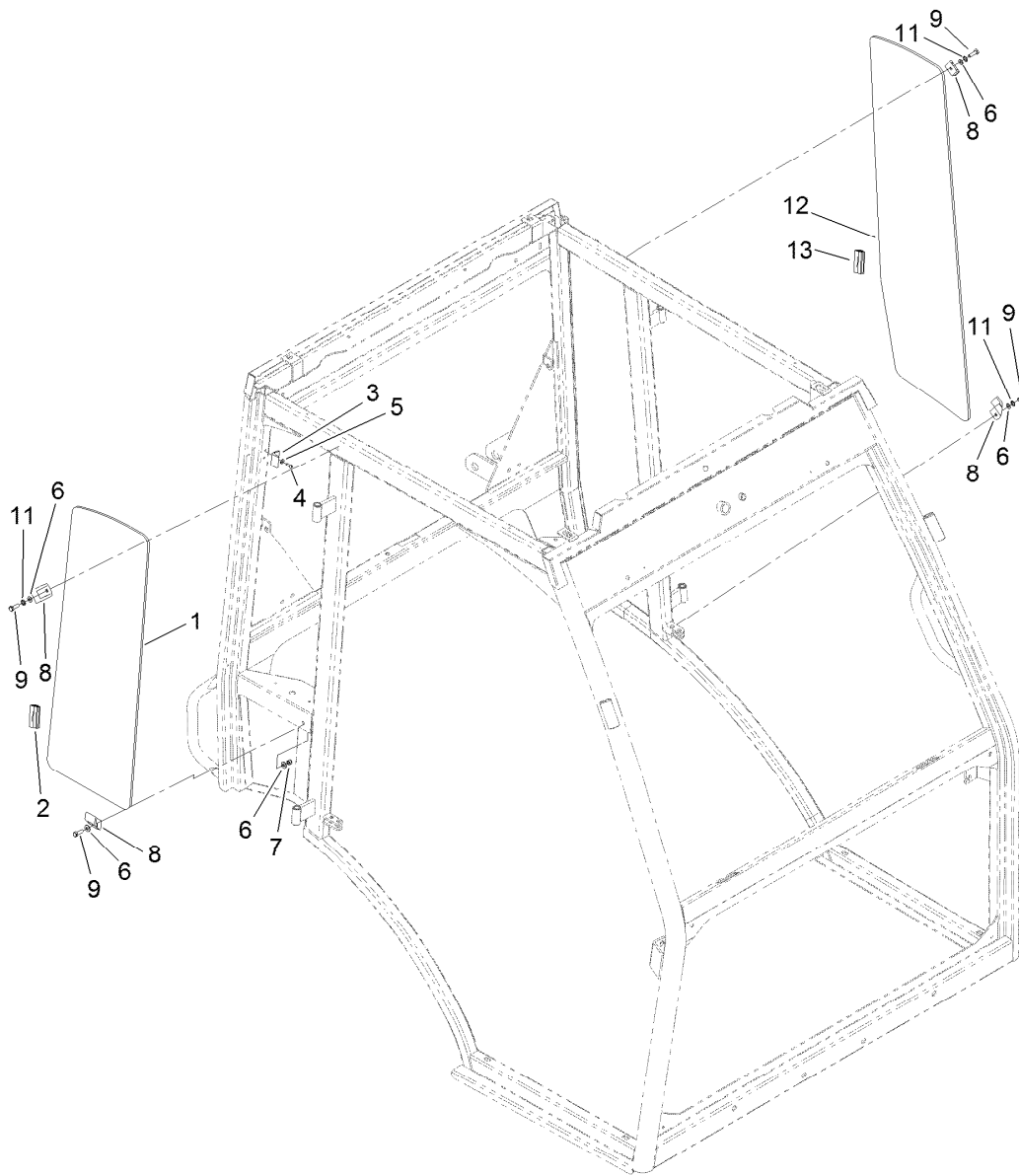


## Left and Right Door Assembly

Ref.	Part Number	Qty.	Description
1	111-5293	2	Glass-Door
2	964189	9	Seal
3	964210	2	Latch-Door, Outside
4	111-7691	2	Pad-Rubber, Door
5	111-5298	8	Pad-Rubber, Door
6	111-5301	1	Hinge-Upper, Right
7	111-5302	1	Hinge-Bottom, Right
8	111-7711	7	Screw
9	09441	8	Nut-Hex, NI
10	111-5307	1	Right Door Frame ASM
11	ZWP1F000U	4	Washer-Plain
12	09363	4	Screw-HH
15	111-5306	1	Lock-Door Right
17	09361	6	Screw-HH
18	09438	6	Nut-Nyloc

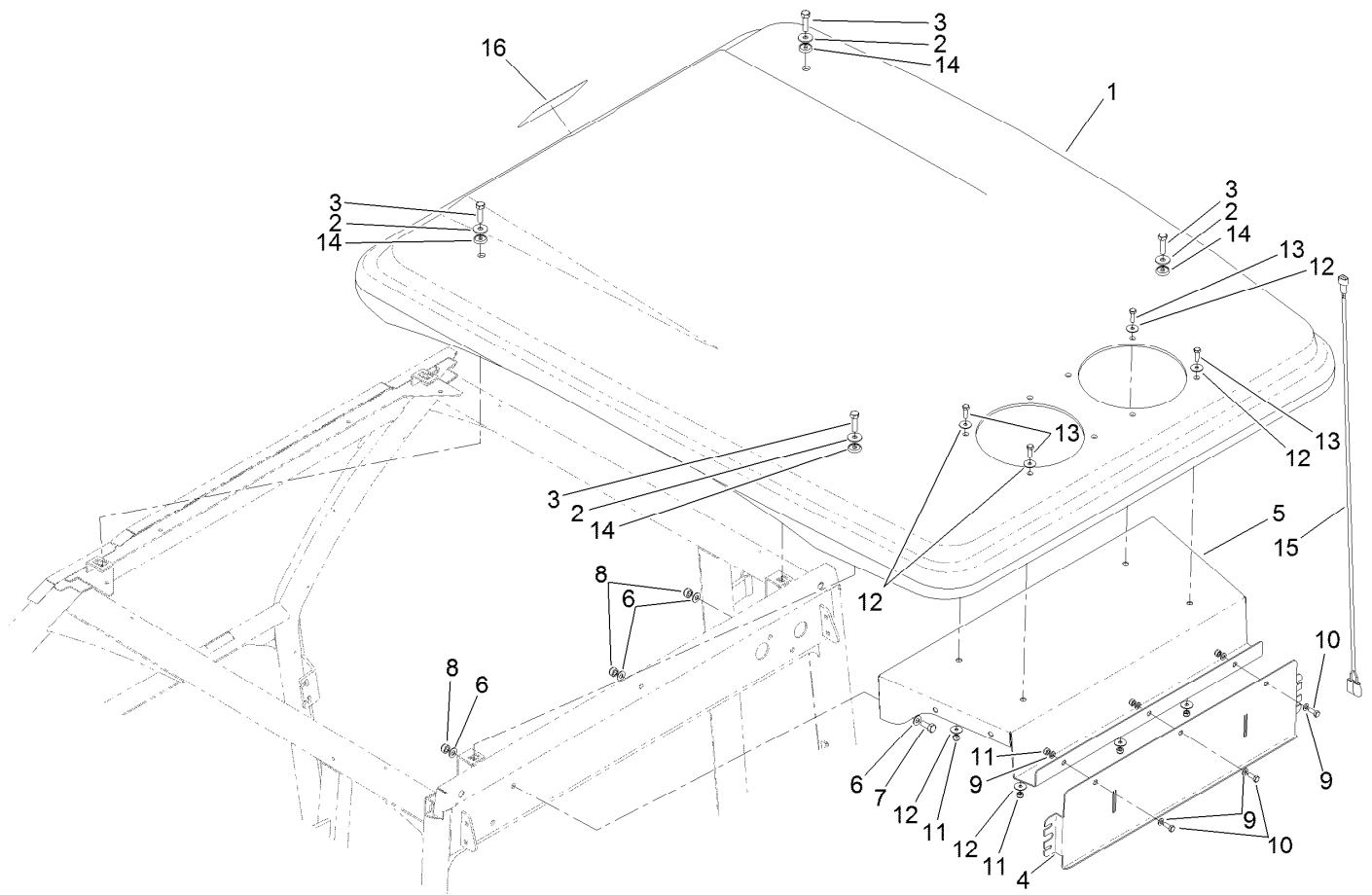
Ref.	Part Number	Qty.	Description
19	111-7692	2	Rivet
20	111-5308	1	Cover-Lock, Left
21	964211	2	Locking Device ASM
22	111-7710	1	Screw
23	111-7693	1	Strap, Door
24	111-5311	1	Washer
25	111-5297	1	Hinge-Left
26	111-7694	1	Hinge, Left-Lower
27	111-5295	1	Left Door Frame ASM
28	111-5294	1	Lock-Door, Left
29	111-5309	1	Cover-Lock, Right
30	111-5081	1	Spring-Door
99	09658	2	Washer ●
99	111-7708	1	Cap, Spring-Door ●

● Not illustrated



## Left and Right Side Window Assembly

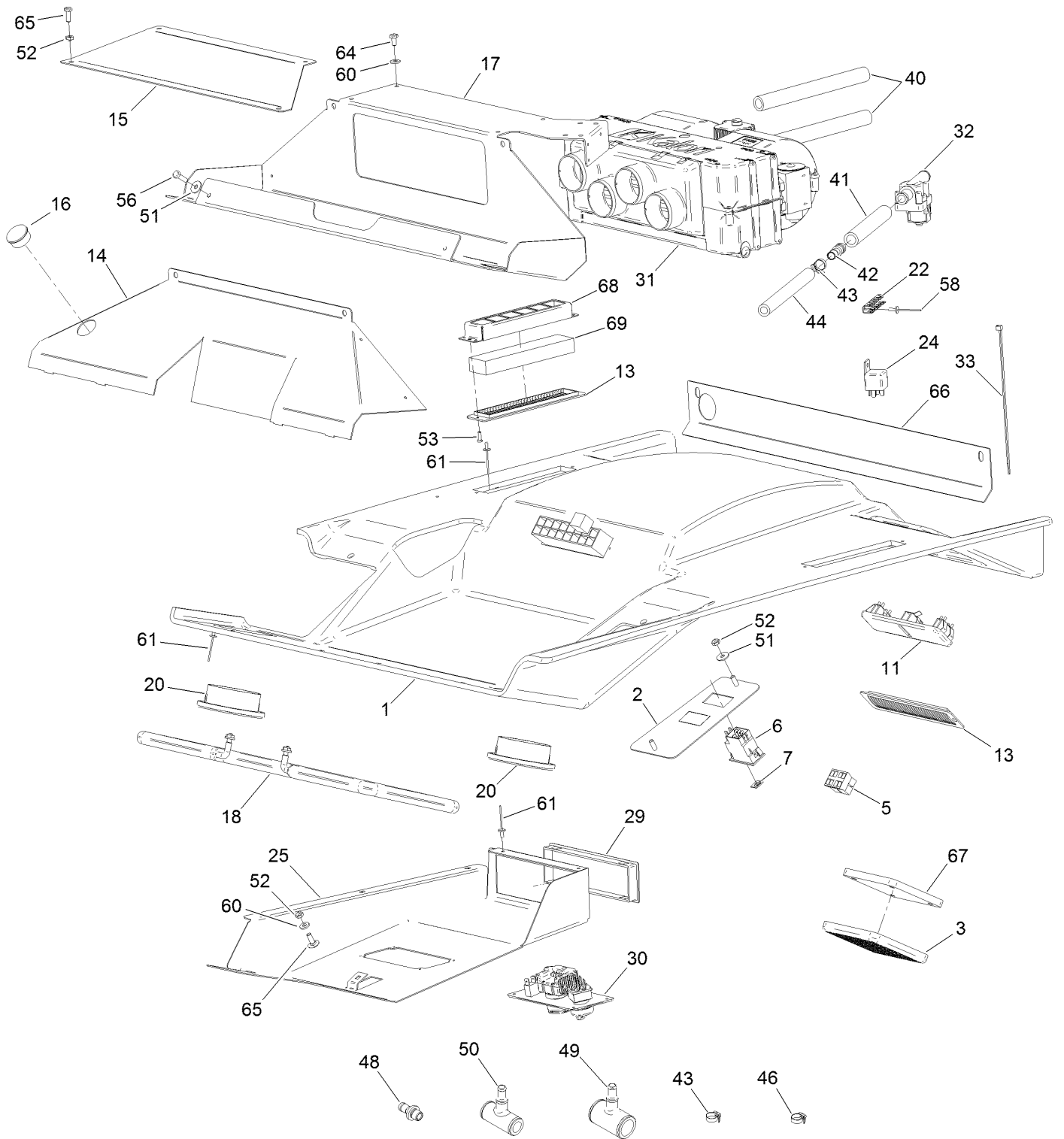
<i>Ref.</i>	<i>Part Number</i>	<i>Qty.</i>	<i>Description</i>
1	111-5289	1	Glass-Side
2	964189	3	Seal
3	111-5368	4	Support-Glass
4	MU710259	4	Rivet-Pop
5	09470	4	Washer
6	ZWP1F000U	5	Washer-Plain
7	09438	1	Nut-Nyloc
8	111-5288	4	Fixing-Glass
9	09363	4	Screw-HH
11	09473	3	Washer-Shakeproof
12	111-5077	1	Glass-Side
13	964189	3	Seal



## Roof Assembly

<i>Ref.</i>	<i>Part Number</i>	<i>Qty.</i>	<i>Description</i>	<i>Ref.</i>	<i>Part Number</i>	<i>Qty.</i>	<i>Description</i>
1	111-5084	1	Roof	9	09472	6	Washer-Plain
2	111-5311	4	Washer	10	09362	3	Screw-HH
3	09369	4	Screw-HH	11	09438	7	Nut-Nyloc
4	111-5265	1	Bracket-Number Plate	12	61-11-001	8	Washer
5	111-5264	1	Cover	13	09363	4	Screw-HH
6	09475	6	Washer	14	111-5310	4	Washer
7	09368	3	Screw-HH	15	111-5369	1	Harness-Rear, Lamp
8	09441	3	Nut-Hex, NI	16	67-1300	1	Decal

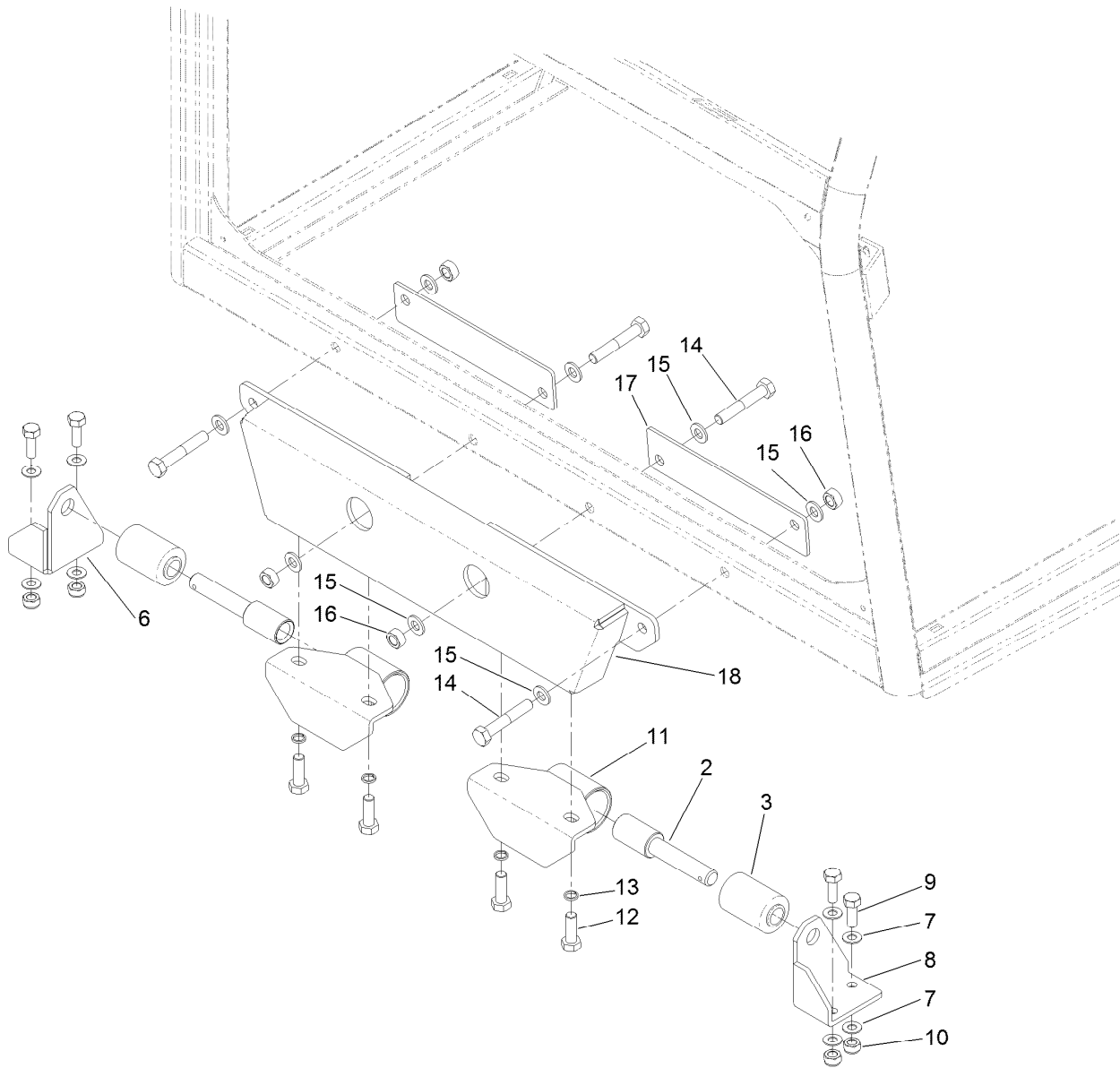
# Roof Insert Assembly



## Roof Insert Assembly (continued)

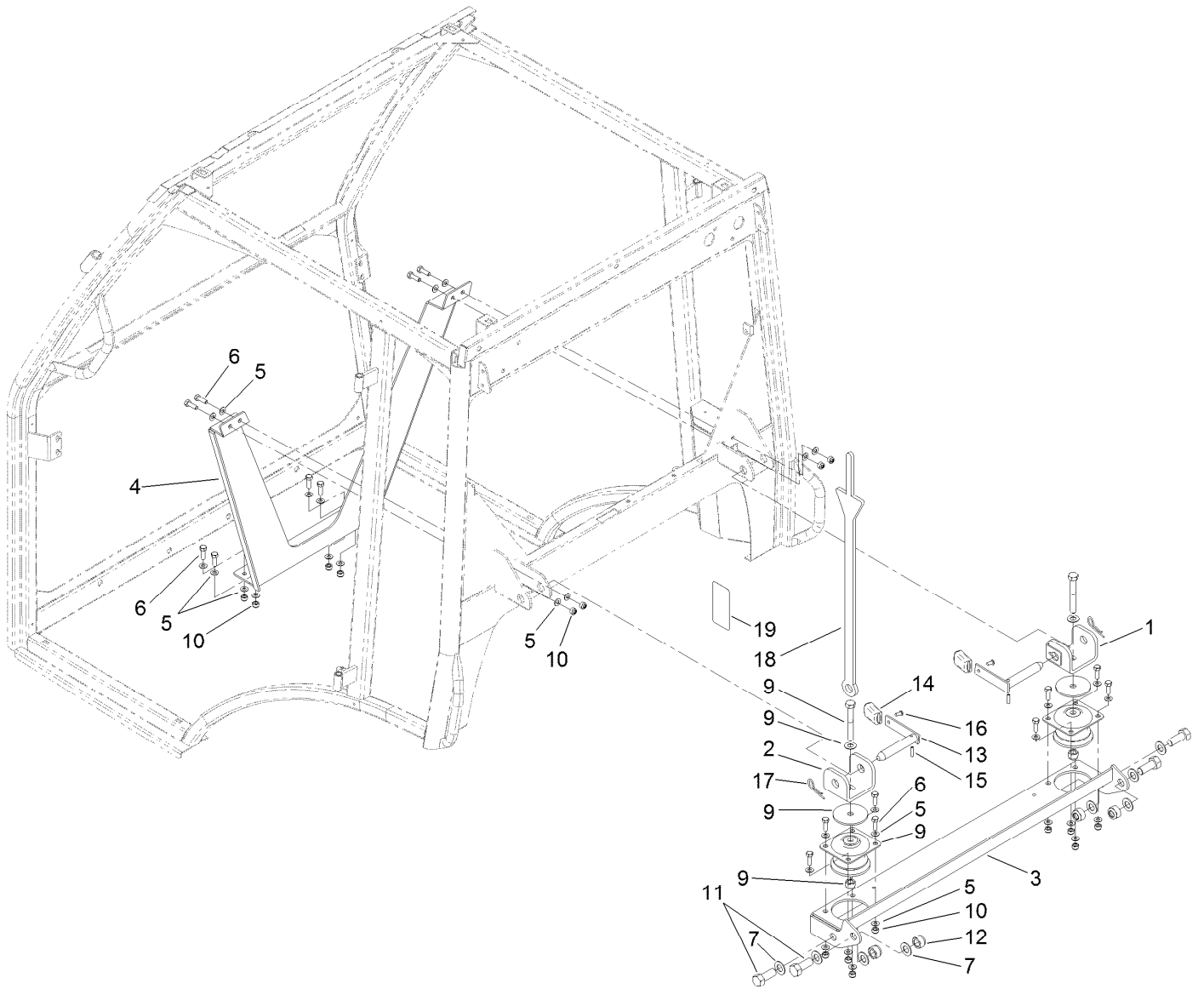
<i>Ref.</i>	<i>Part Number</i>	<i>Qty.</i>	<i>Description</i>	<i>Ref.</i>	<i>Part Number</i>	<i>Qty.</i>	<i>Description</i>
1	111-5286	1	Liner-Roof	48	111-1582	1	Pipe-Union
2	111-5274	1	Console	49	111-1569	1	Fitting-Tee
3	111-5287	2	Cover	50	111-1570	1	Fitting-Tee
5	111-5271	1	Fuse Box	51	61-11-001	4	Washer
6	111-5375	1	Switch	52	09438	5	Nut-Nyloc
7	111-5376	1	Symbol-Switch	53	ZDH1D012U	12	Screw-HH
11	111-1680	1	Interior Light	56	09363	2	Screw-HH
13	111-7455	3	Vent-Return, Air	58	111-1694	3	Rivet
14	111-5270	1	Duct-Air	60	ZWP1F000U	9	Washer-Plain
15	111-5279	1	Support	61	MU710259	8	Rivet-Pop
16	111-5343	1	Plug	64	09361	2	Screw-HH
17	111-5280	1	Bracket	65	09362	4	Screw-HH
18	111-5272	1	Visor-Sun	66	111-7695	1	Plate, Block-Terminal
20	111-5275	2	Nozzle	67	111-7696	2	Filter-Dust
22	111-5281	1	Bar-Ground	68	111-7697	3	Housing, Filter-Dust
24	111-5282	1	Relay	69	111-7698	3	Filter-Dust
25	111-5267	1	Console	99	09320	8	Rivet ●
29	111-5273	1	Cover-Radio	99	09362	1	Screw-HH ●
30	111-5380	1	Switch Console	99	09470	8	Washer ●
31	111-5269	1	Heating And Air Conditioning ASM	99	09657	14	Nut-Insert, NI ●
32	111-7456	1	Valve-Heating, Cab	99	09658	8	Washer ●
33	74-07-020	14	Tie-Cable	99	09704	8	Screw-Set ●
40	111-1564	1	Hose-Hot Water	99	111-1566	4	Hose-Hot Water ●
41	111-1564	1	Hose-Hot Water	99	111-1669	1	Harness-Wire, Interior Light ●
42	111-1563	2	Connector-Hose	99	111-5377	1	Cable-Wiper ●
43	910845	10	Clip-Jubilee	99	111-5378	1	Cable-Heating ●
44	111-1566	5	Hose-Hot Water	99	111-5379	1	Cable-Supply Line ●
46	111-1716	2	Clip-Jubilee	99	924438	2	Clamp-Hose ●

● Not illustrated



## Front Bracket and Support Assembly

Ref.	Part Number	Qty.	Description
2	111-5258	2	Pin
3	111-5257	2	Bearing
6	111-5254	1	Support-Front, Right
7	09479	8	Washer
8	111-5255	1	Support-Front, Left
9	09392	4	Screw-HH
10	ZNN1J000U	4	Nut-Hex, NI
11	111-7459	2	Bracket, Lower-Front
12	ZDH1L035U	4	Screw-HH
13	09599	4	Washer-Spring
14	ZBH1L070U	4	Bolt
15	HY09485	8	Washer-Plain
16	09650	4	Nut-Hex, Nyloc
17	111-7460	2	Plate-Spreader
18	111-7458	1	Bracket, Upper-Front



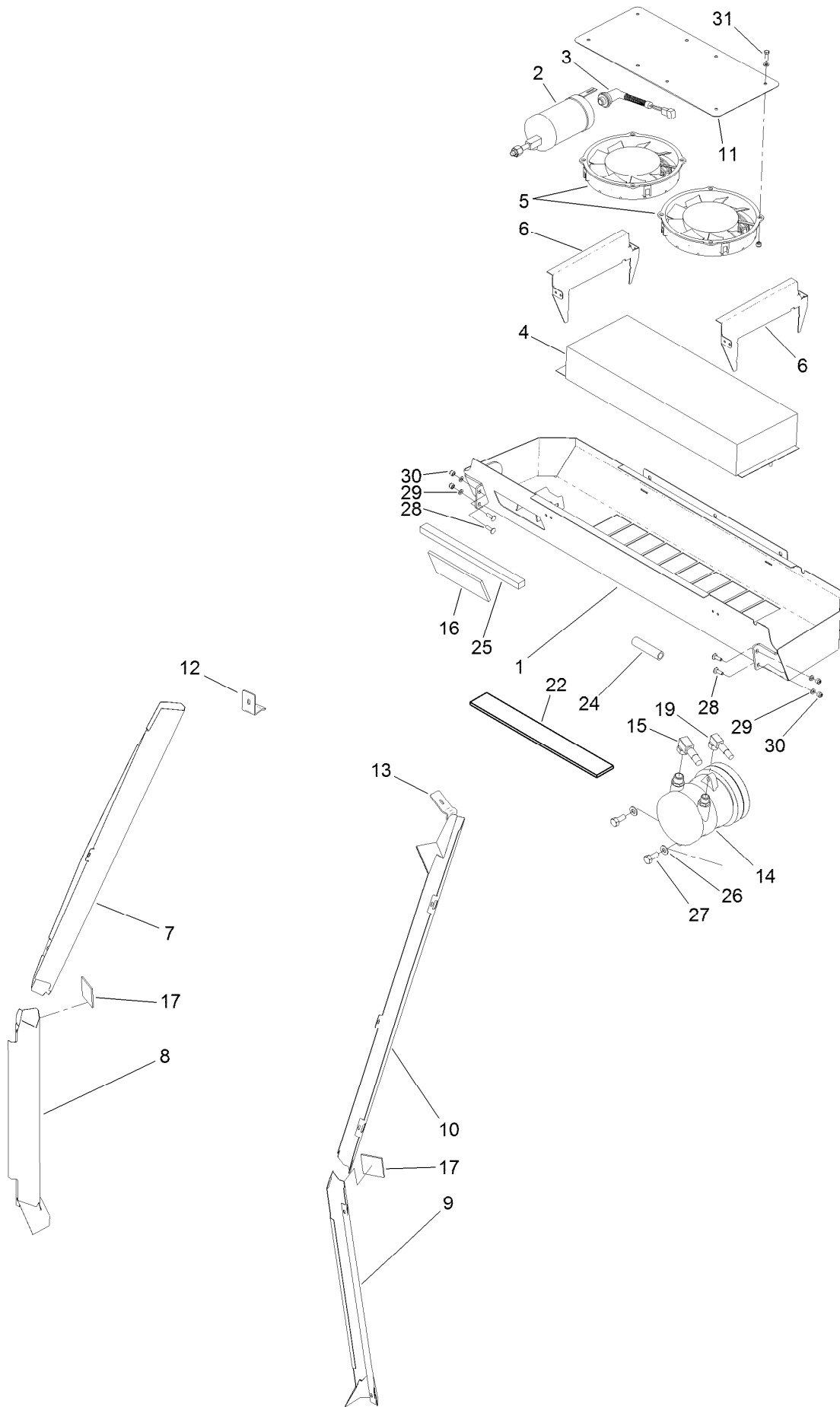
## Rear Support Assembly

Ref.	Part Number	Qty.	Description
1	111-5312	1	Support-Right
2	111-5260	1	Support-Left
3	111-5262	1	Support-Cross Member
4	111-5261	1	Support-Main
5	09475	16	Washer
6	03162	8	Screw-HH
7	ZWP1P000U	8	Washer-Plain
9	09614	2	Bolt
10	09441	8	Nut-Hex, NI
11	111-5370	4	Setscrew

Ref.	Part Number	Qty.	Description
12	09456	4	Nut
13	111-5263	2	Pin-Latch
14	111-7699	2	Grip, Pin-Locking
15	111-7700	2	Pin-Spiral
16	111-7701	2	Screw
17	111-7453	2	Pin-Secure
18	111-7030-01	1	Bracket-Support
19	111-7091	2	Decal-Stay, Safety
99	111-7454	1	Pin-Secure, String ●

● Not illustrated

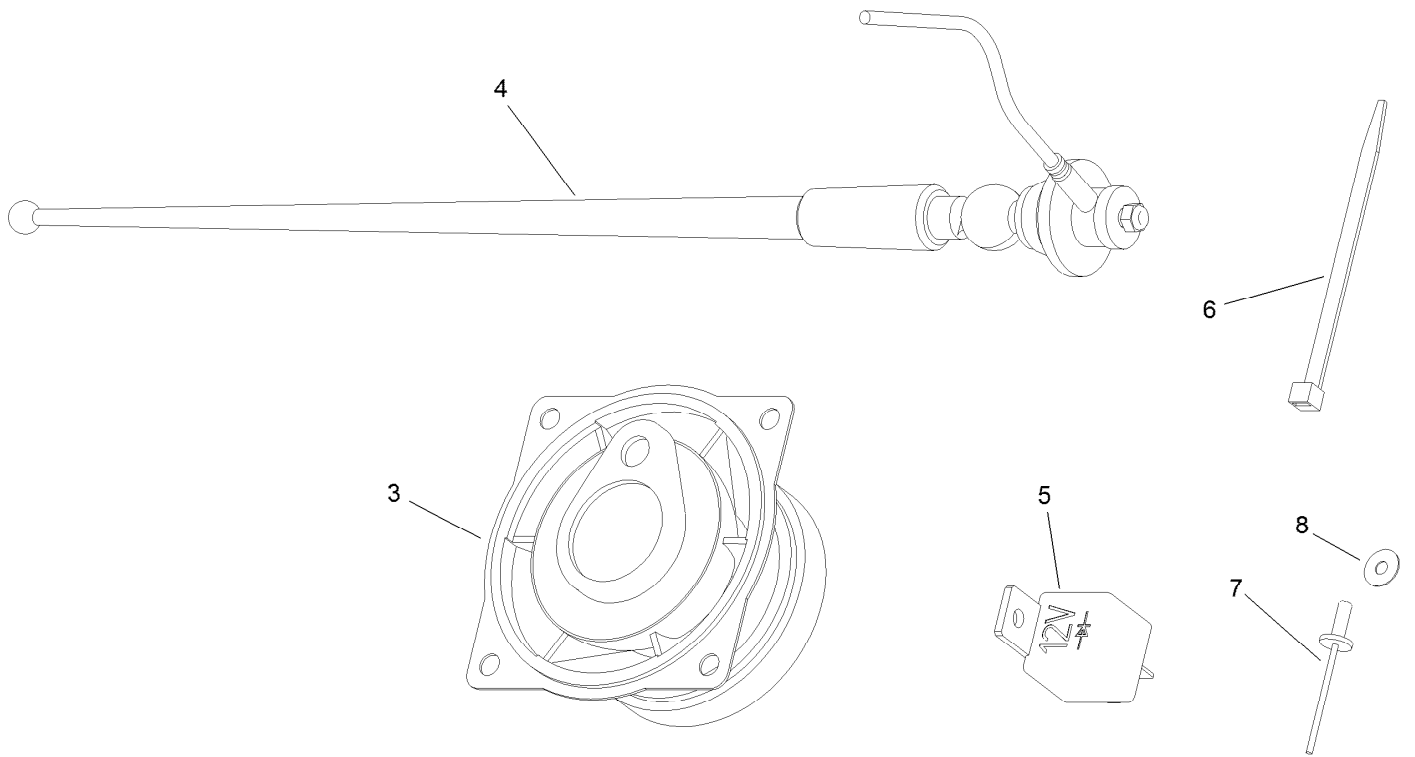
# Air Conditioning Assembly



## Air Conditioning Assembly (continued)

<i>Ref.</i>	<i>Part Number</i>	<i>Qty.</i>	<i>Description</i>	<i>Ref.</i>	<i>Part Number</i>	<i>Qty.</i>	<i>Description</i>
1	111-5491	1	Housing	17	111-5506	2	Rubber-Intermediate
2	111-5492	1	Tank-Collecting, Filter	18	111-1625	1	Clamp-Hose ●
3	111-5493	1	Switch-Pressure	19	111-5573	1	Hose-Climatic (Compressor To Condenser)
4	111-5495	1	Condenser	20	111-5574	1	Hose-Climatic (Condenser To Evaporator) ●
5	111-5494	2	Fan	21	111-5575	1	Cable-Air Conditioner ●
6	111-5496	2	Plate-Separating	22	111-5612	2	Tape-Sealant
7	111-5569	1	Plate-Cover, Upper-Right	22	111-7704	1	Hose-Climatic
8	111-5571	1	Plate-Cover, Lower-Right	24	111-5613	4	Tube-Transparent
9	111-5570	1	Plate-Cover, Lower-Left	25	111-5357	2	Seal
10	111-5568	1	Plate-Cover, Upper-Left	26	ZWQ1J000U	3	Washer-Plain
11	111-5501	1	Cover	27	50-11-005	3	Screw-HH
12	111-7702	1	Angle-Fastening	28	09668	4	Bolt-Coach
13	111-7703	1	Angle-Fastening	29	09472	12	Washer-Plain
14	111-1600	1	Compressor	30	09544	12	Nut-Nyloc
15	111-5572	1	Hose-Climatic (Evaporator To Compressor)	31	09363	8	Screw-HH
16	111-5614	1	Seal				

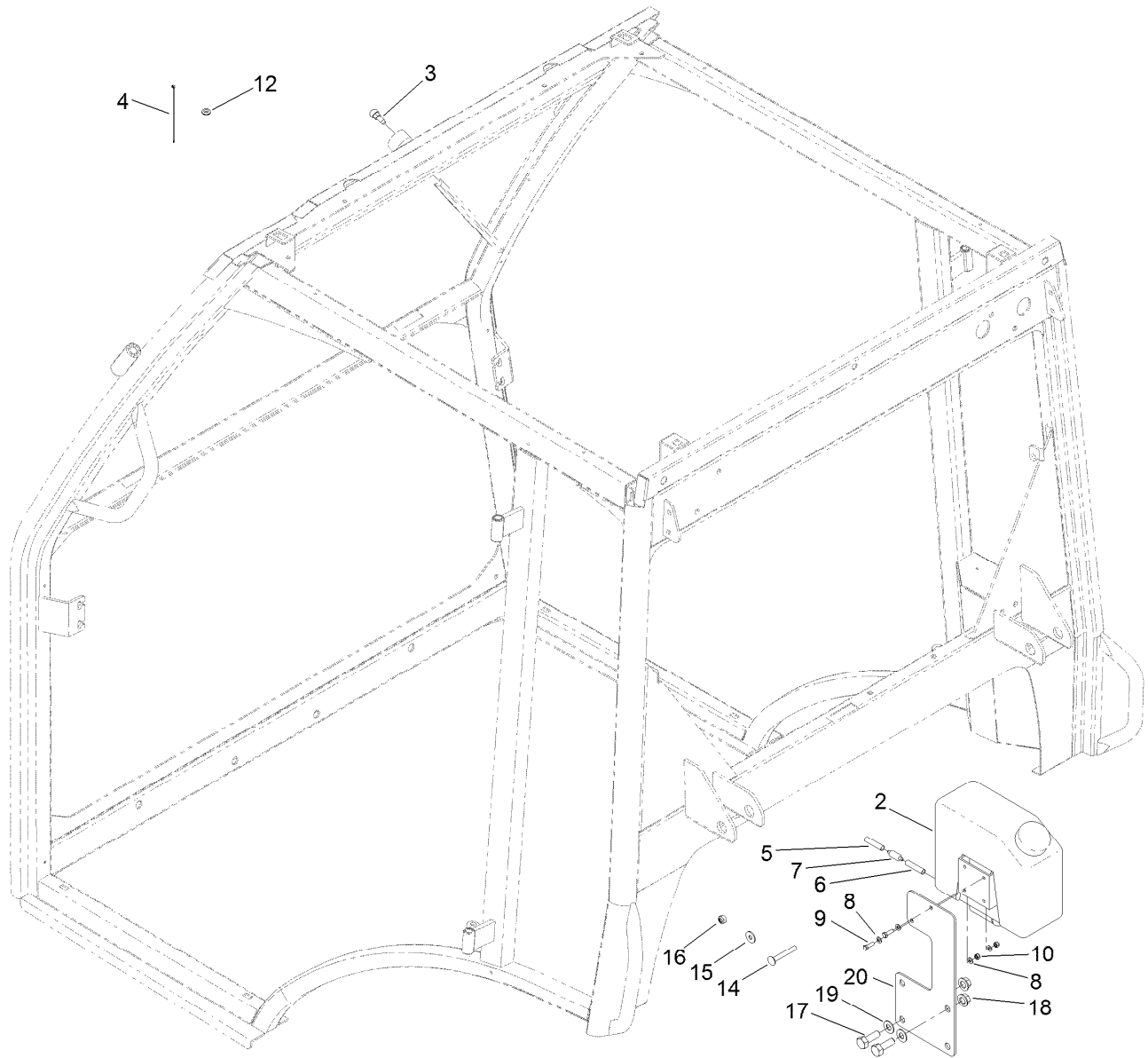
● Not illustrated



## Radio Installation Assembly

<i>Ref.</i>	<i>Part Number</i>	<i>Qty.</i>	<i>Description</i>
3	111-5268	2	Speaker-Cab
4	111-7707	1	Antenna-Radio
5	111-5282	1	Relay
6	74-07-020	3	Tie-Cable
7	09317	1	Rivet
8	09658	1	Washer
99	111-7705	1	Cable-Radio ●
99	111-7706	1	Cable-Speaker ●

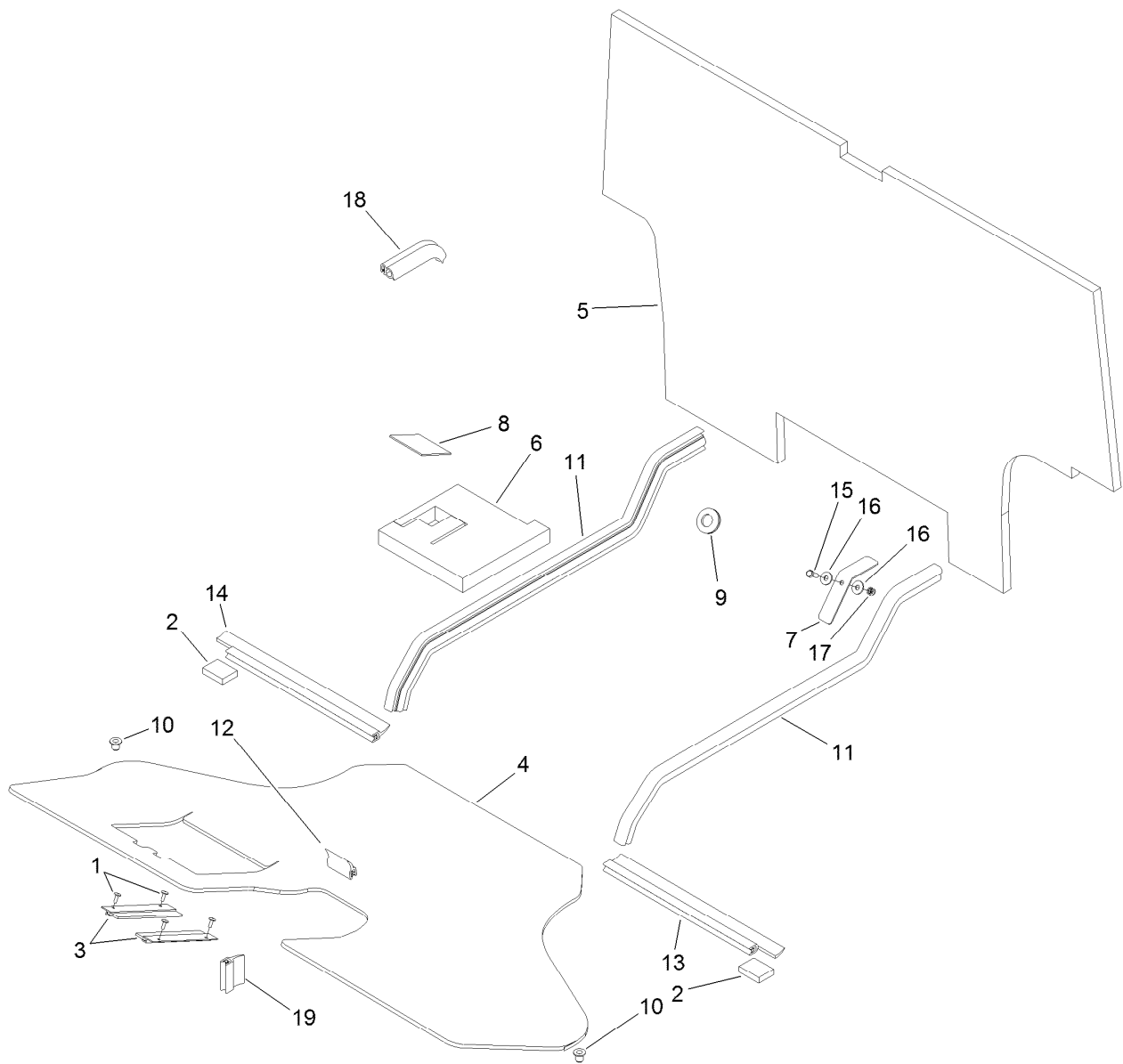
● Not illustrated



## Washer Bottle Assembly

Ref.	Part Number	Qty.	Description	Ref.	Part Number	Qty.	Description
2	111-5285	1	Washer Pump And Bottle ASM	12	111-1742	1	Grommet
3	111-5371	1	Nozzle-Washer	14	09549	4	Bolt
4	74-07-020	17	Tie-Cable	15	09267	4	Washer
5	111-5372	5	Hose-Washer	16	09441	4	Nut-Hex, NI
6	111-5372	1	Hose-Washer	17	09392	2	Screw-HH
7	111-5373	1	Valve-Non Return	18	63-11-015	2	Nut-Flanged
8	09470	4	Washer	19	09479	2	Washer
9	ZDH1E016U	2	Screw-HH	20	111-7313-03	1	Bracket-Washer, Bottle
10	09430	2	Nut-Nyloc	99	111-5374	1	Washer Cable ●
				99	111-7422	1	Harness-Washer ●

● Not illustrated



## Noise Reduction Assembly

<i>Ref.</i>	<i>Part Number</i>	<i>Qty.</i>	<i>Description</i>	<i>Ref.</i>	<i>Part Number</i>	<i>Qty.</i>	<i>Description</i>
1	111-1627	4	Rivet	11	111-7055	2	Seal-Bubble, Seat Plate
2	111-5386	2	Pad-Rubber	12	111-7056	1	Seal-Flipper, Steering Column
3	111-6571	2	Strip-Brush, Pedal Slot	13	111-7057	1	Seal-Flipper, Platform LH
4	111-6949	1	Pad-Mat, Platform	14	111-7071	1	Seal-Flipper, Platform RH
5	111-6992	1	Pad-Bulkhead	15	09362	1	Screw-HH
6	111-6995	1	Pad-Column	16	09262	2	Washer
7	111-7044-03	1	Plate-Hole, Latch	17	09438	1	Nut-Nyloc
8	111-7046	1	Pad-Bitumen	18	111-7053	2	Seal-Bubble, Side
9	111-7050	1	Grommet-Cable	19	111-7054	1	Seal-Flipper
10	111-7051	2	Plug-Platform				

# Attachments and Accessories

**For 02890 Mauser KS-534 Full Safety Cab Kit CT2120/CT2140/CT2240/LT3340  
and Groundsmaster 3400 Mowers**

<b>Product Name</b>	<b>Model/Part</b>
Air Conditioning Kit .....	02891
Air Conditioning Fit Kit .....	02892
Beacon .....	111-7134
Radio Harness Kit.....	111-7423



**Count on it.**