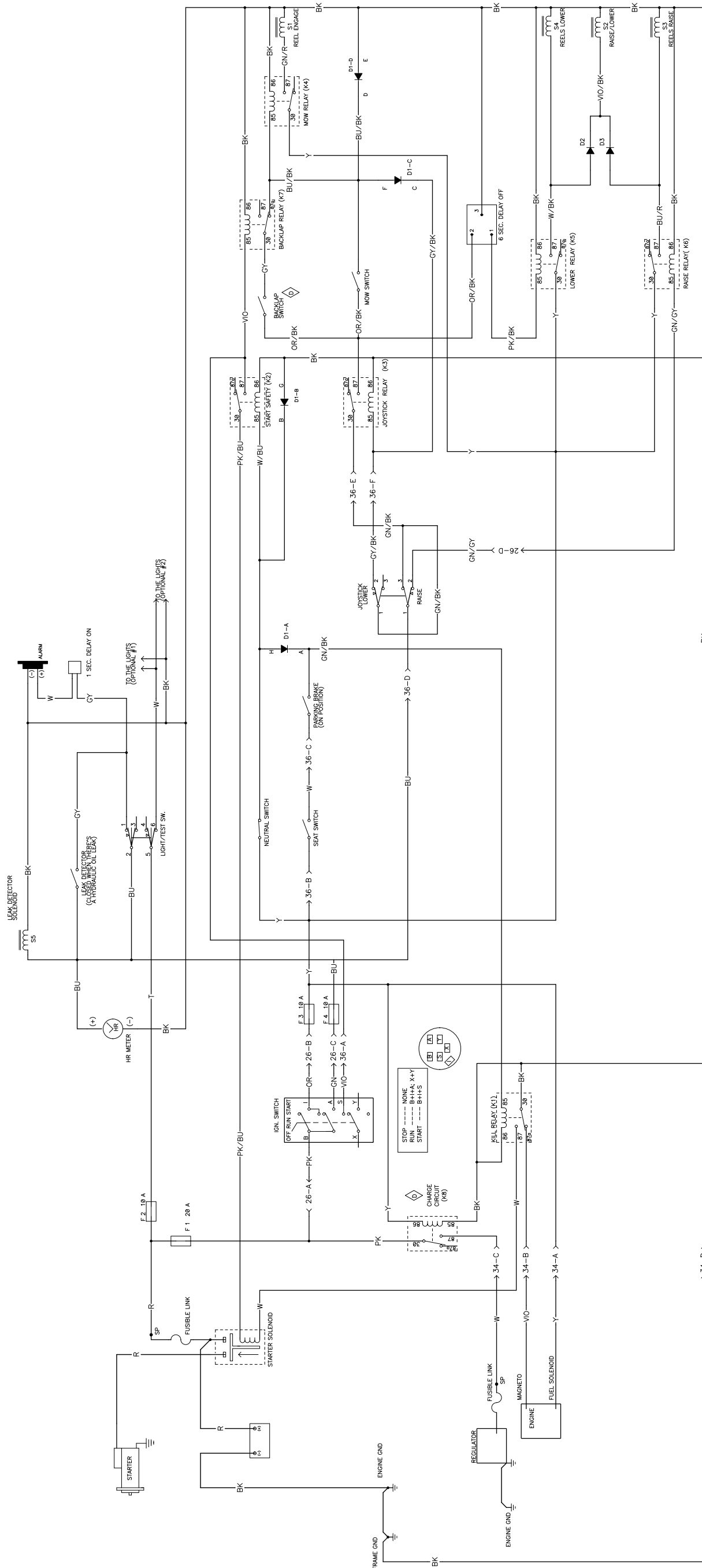




Greensmaster® 3150 2-Wheel Drive Traction Unit

Model No. 04358—Serial No. 314000001 and Up



Schematic—Electrical
 Model 04358
 Sheet 1 of 1 | DWG 115-5301 | Rev D

G025376