



Part No. 84-5510

**INSTALLATION
INSTRUCTIONS**
**BACK LAP KIT
FOR REELMASTER® 216 & 216D**
INSTALLATION

1. Release tension to the cutting unit drive belts.
2. On fixed suspension cutting units, remove the side guard from the front cutting units. On floating suspension cutting units, disconnect both ends of carrier frame and carrier frame bracket from end of cutting unit opposite drive pulley.
3. Remove (2) capscrews and locknuts securing rear roller bracket to cutting unit side plate.

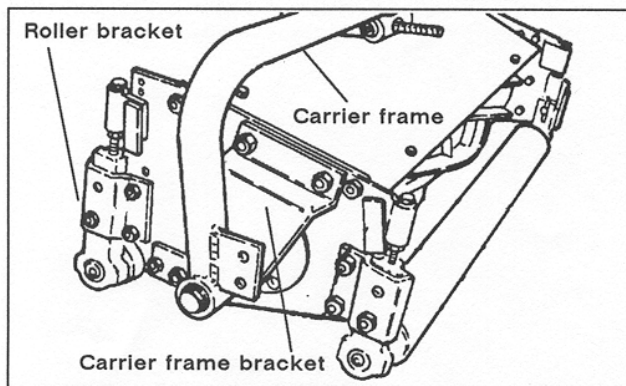


Figure 1

4. Using (2) new capscrews (included in kit) and (2) locknuts previously removed, mount appropriate attachment plate (left or right) to rear roller bracket and cutting unit side plate positioning as shown in figure 2. Do not tighten fasteners at this time.
5. Remove capscrew, washer and spacer from reel shaft end. Slide reel shaft gear onto reel shaft, aligning set screw with flat on reel shaft, then, tighten set screw.
6. Secure gear to reel shaft with washer and capscrew previously removed.
7. Slide driver gear onto attachment bracket pilot shaft aligning gears.
8. Position attachment plate so gears rotate smoothly, then, tighten mounting fasteners.
9. Reinstall side guard or carrier frame and carrier bracket to cutting unit.
10. Slide driver gear off attachment bracket pilot and repeat procedure on remaining cutting units.

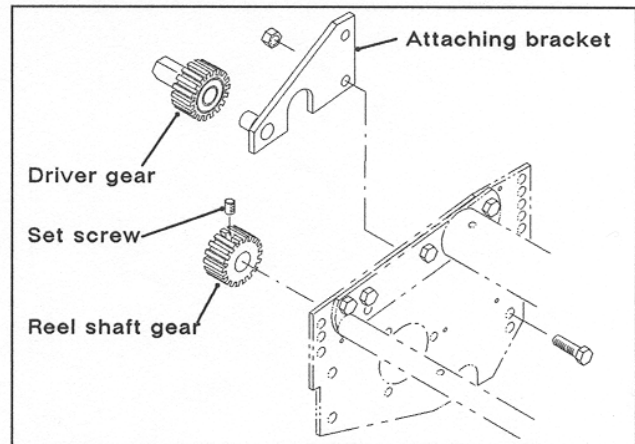


Figure 2

OPERATION

1. Release tension to the cutting unit drive belts.
2. Slide driver gear onto attachment bracket pilot shaft of cutting unit to be backlapped.
3. Connect a lapping machine to the driver gear. Backlap according to procedures in the Toro Sharpening Reel and Rotary Mowers Manual Form No. 80-300 PT.


CAUTION

Be careful when lapping the reel because contact with the reel or other moving parts can result in personal injury.


DANGER

Under no circumstances use a short handled paint brush. 29-9100 Handle assembly complete, or individual parts, are available from your local Authorized TORO Distributor.

4. After cutting unit is backlapped, slide driver gear off attachment bracket pilot and repeat procedure on remaining cutting units.
5. When backlap operation is completed on all cutting units, remove driver gear and store in memorable place. Do not leave on cutting unit.

Note: If cutting unit is to be used in a high height-of-cut, attachment bracket must be removed after backlapping is completed, otherwise it may remain on cutting unit.