



# Replacement Cable Kit

## 2012 and 2013 TimeMaster 30in Lawn Mowers

Model No. 130-6739

### Installation Instructions

#### ⚠ WARNING

#### CALIFORNIA Proposition 65 Warning

This product contains a chemical or chemicals known to the State of California to cause cancer, birth defects, or reproductive harm.

1. Remove the old self-propel cable and discard it.
2. Drill and deburr a 16 mm (5/8 inch) diameter hole in the mower housing in the location shown in Figure 1.

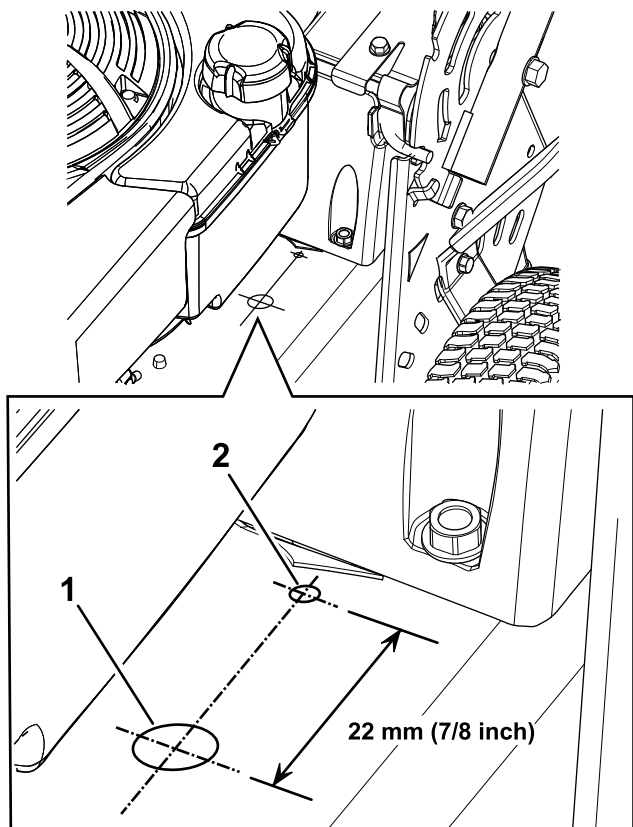


Figure 1

1. Drill and deburr a 16 mm (5/8 inch) diameter hole here.
2. Small hole (has a bolt in it to retain the fuse holder on electric-start models)

edge of the mower frame. On electric-start models, there is a bolt in the small hole to retain the fuse holder.

3. Insert the new cable from the top (spring end first) through the drilled hole.
4. Attach the cable spring end onto the transmission activation lever as shown in Figure 2.

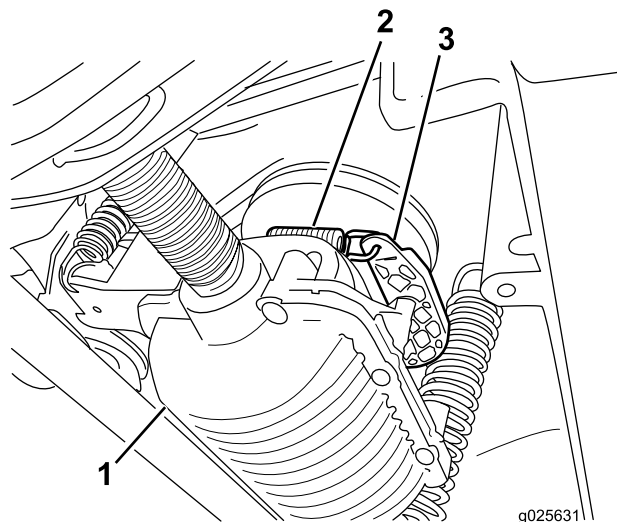


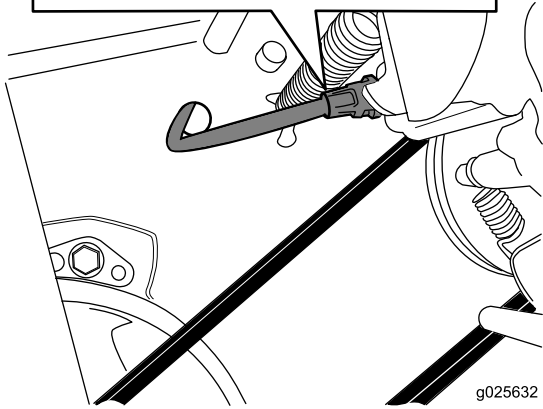
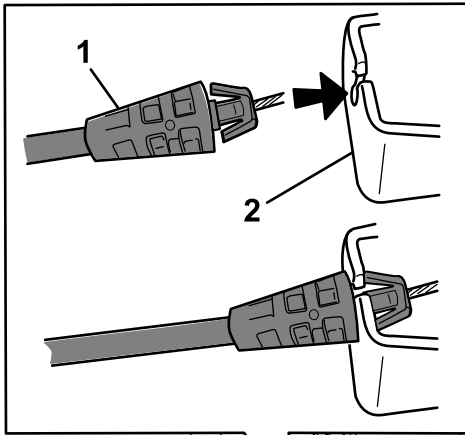
Figure 2

1. Transmission gear box
2. Cable spring end
3. Transmission activation lever

5. Insert the cable anchor into the hole in the bracket on the transmission case as shown in Figure 3.

**Note:** The center of both the drilled hole and the smaller hole should be the same distance from the left

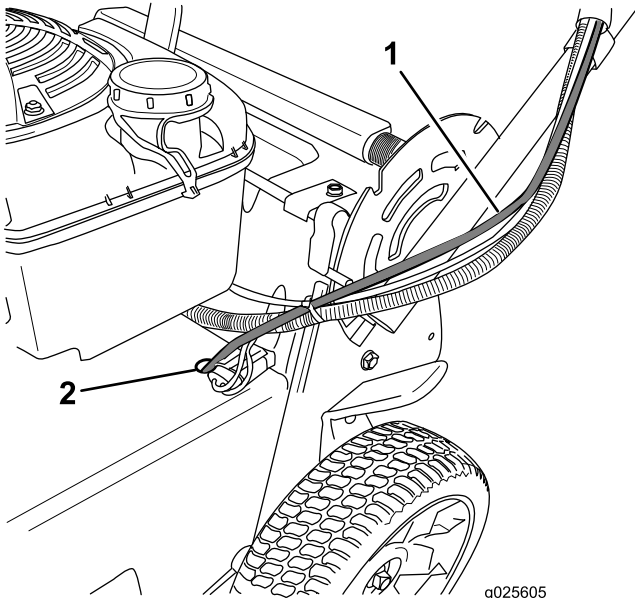




**Figure 3**

- 1. Cable anchor
- 2. Transmission case

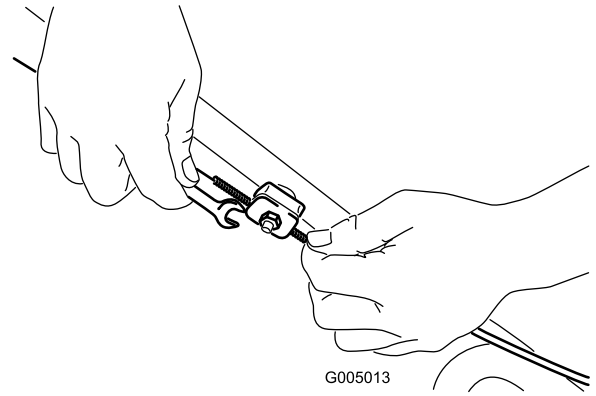
- 6. Route the cable upward along the left side of the handle as shown in Figure 4.



**Figure 4**

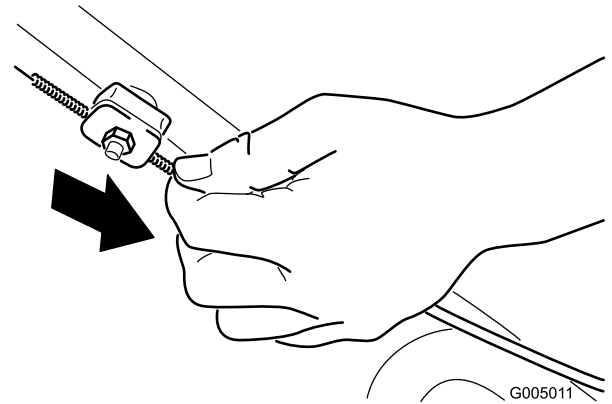
- 1. Self-propel-drive cable
- 2. Drilled hole

- 7. Secure the upper end of the cable to the traction lever.
- 8. Pull the upper handle all the way up.
- 9. Loosen the cable-support nut (Figure 5).



**Figure 5**

- 10. Pull the cable jacket down (toward the machine) until there is no slack in the cable (Figure 6).



**Figure 6**

- 11. Tighten the nut on the cable support.