



Count on it.

Parts Catalog

30in Stand-On Aerator

Model No. 29518—Serial No. 314000001 and Up

Model No. 39518—Serial No. 314000001 and Up



Ordering Replacement Parts

To order replacement parts, please supply the part number, the quantity, and the description of each part desired.

Understanding Reference Numbers

Each identified part in an illustration has a reference number. The reference number for a part also appears in the parts list, along with other information about the part.

This catalog uses two special reference number formats, one to indicate parts in a service assembly and another to indicate the quantity of a given part in an illustration.

Service Assembly Reference Numbers

Parts in service assemblies have reference numbers in the form a:b. The a represents the reference number of the entire service assembly and the b represents a sequential number unique to each part within the service assembly.

For example, a wheel assembly might be identified by reference number 6, the tire by 6:1, the valve by 6:2, and the wheel by 6:3. When you order the assembly identified by reference number 6, you receive all parts identified by reference numbers 6:1, 6:2, and 6:3. However, you may also order any part individually. Reference numbers of this type appear in illustration and in parts lists.

Reference Numbers Indicating Quantity

In an illustration, if a reference number indicates more than one part, the reference number has the form nX y. The n represents the quantity of the part, the X is the multiplication symbol, and the y represents the reference number.

For example, in an illustration, the reference number 2X 37 means that two of the parts identified by reference number 37 are indicated.

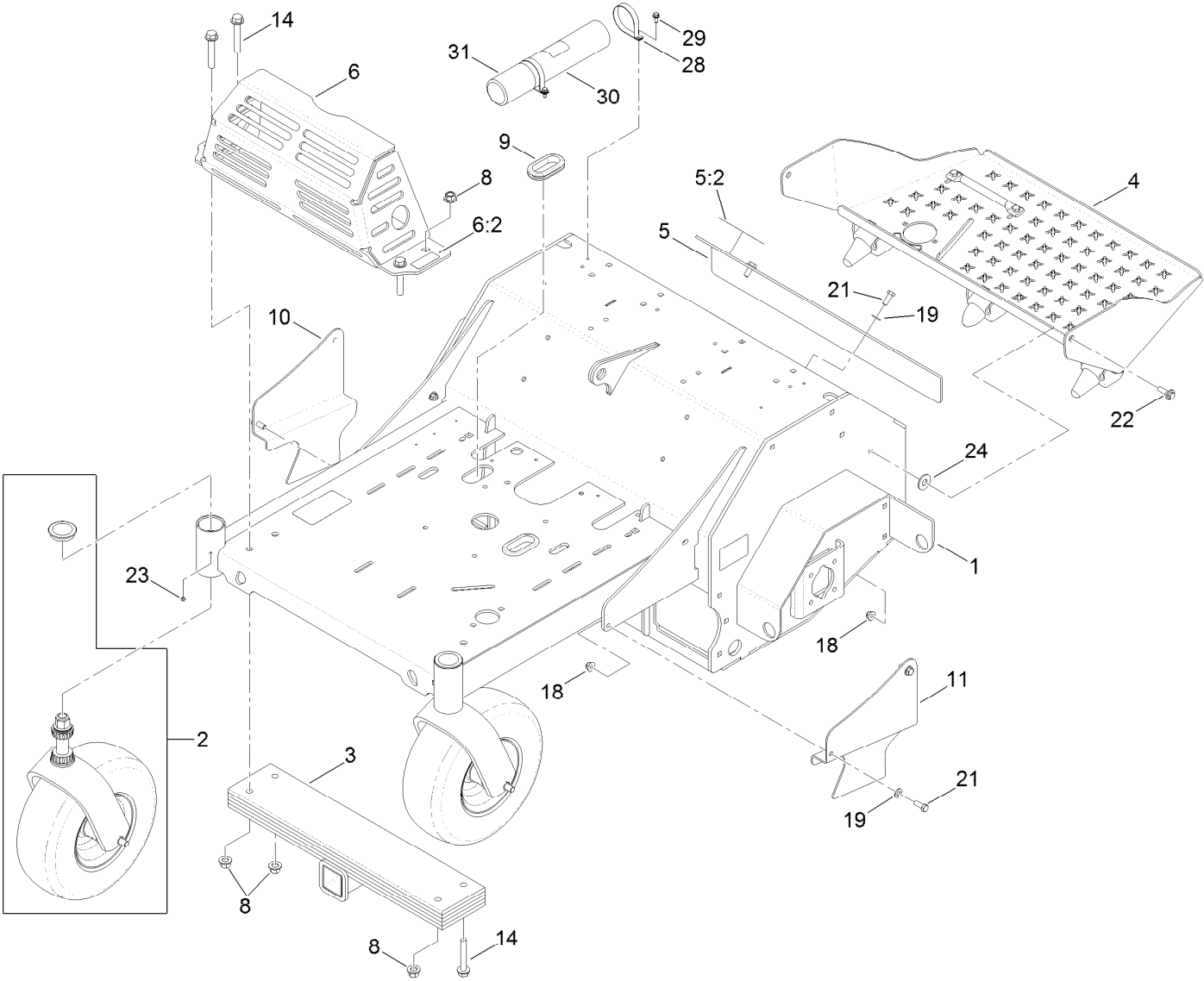
List of Abbreviations

AR: as required	HLH: hex lag head	PTO: power-take-off
ASM: assembly	HOC: height-of-cut	RH: right hand
BBC: blade brake control	HSBH: hex socket button head	ROPS: roll-over protection system
BHTF: button head thread forming	HSFH: hex socket flat head	RRB: rear roller brush
CARR: carriage	HSH: hex socket head	SFH: slotted fillister head
CCW: counter clockwise	HWH: hex washer head	SHH: slotted hex head
CW: clockwise	HWHTF: hex washer head thread forming	SHWH: slotted hex washer head
DEG: degrees	HYD: hydraulic	SPH: slotted pan head
DPA: Dual Point Adjustment	LH: left hand	SQH: square head
ECM: electronic control module	LP: Liquefied Petroleum Gas	SRH: slotted round head
EXT: external	LPG: Liquefied Petroleum Gas	STD: standard
FH: flat head	NI: nylon insert	TAP: self tapping
GA: gauge	NPTF: national pipe thread fine	TTH: torx truss head
HD: heavy-duty	PFH: phillips flat head	
HF: hex flange	PPH: phillips pan head	
HH: hex head	PPHTF: phillips pan head thread forming	
HHF: hex head flange	PRH: phillips round head	
HHFTF: hex head flange thread forming	PTH: phillips truss head	
HJ: hex jam		

Contents

Main Frame Assembly	4
Main Frame Decal Assembly No. 116-8138	6
Caster Wheel and Fork Assembly	8
Platform Assembly No. 116-9135	10
Tower Assembly	12
Ground Drive Assembly	14
Idler Arm Assembly No. 116-9307	16
RH Transaxle Assembly No. 116-9712	18
LH Transaxle Assembly No. 116-9713	20
Axle and Bearing Assembly No. 116-9545	22
Tine Assembly	24
RH Tine Wheel Assembly No. 116-6738	26
LH Tine Wheel Assembly No. 116-6739	28
Fuel Assembly	30
Motion Control Assembly	32
Electrical Assembly	34
Auxiliary Hydraulic Assembly	36
Manifold W/Check and Relief Valve Assembly No. 116-9549	38
Hydraulic Cylinder Assembly No. 116-6969	40
Hydraulic Pump Assembly No. 116-9129	42
Engine Assembly	44

Main Frame Assembly

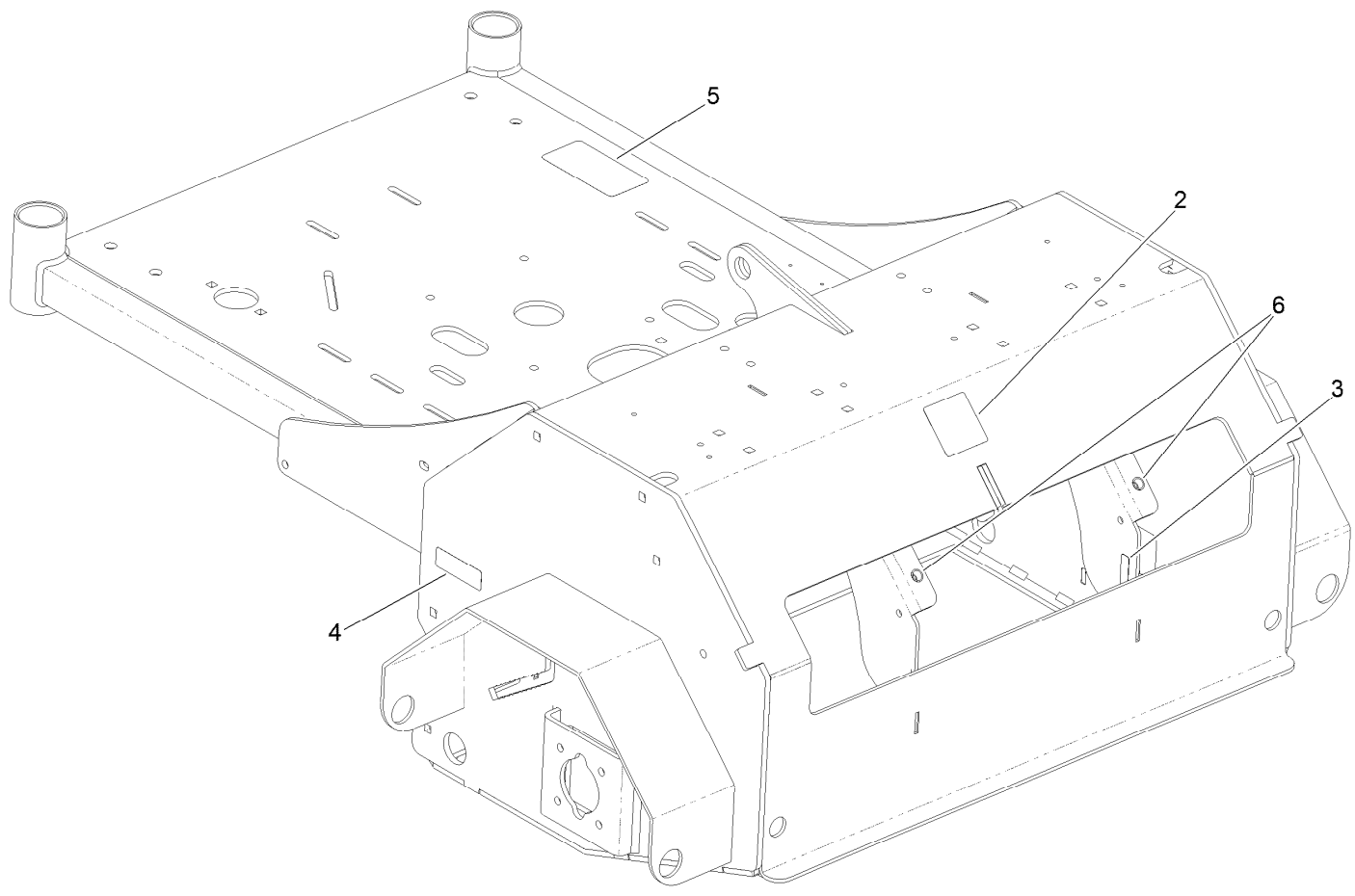


Main Frame Assembly (continued)

<i>Ref.</i>	<i>Part Number</i>	<i>Qty.</i>	<i>Description</i>	<i>Ref.</i>	<i>Part Number</i>	<i>Qty.</i>	<i>Description</i>
1	116-8138	1	Main Frame ASM	11	116-6611-01	1	Guard-Chain, LH
2		2	Front Caster ASM W/Fork ●	14	3234-40	4	Screw-HF
3	116-6536-01	1	Weight	18	104-8301	6	Nut-Flange, NI
4	116-9135	1	Platform ASM W/Rocker	19	3256-24	6	Washer-Flat
5	116-7300	1	Access Cover ASM	21	323-6	6	Screw-HH
5:2	121-6163	1	Decal-Tine Ground Operation (Ce)	22	614672	2	Bolt-Shoulder
6	116-8258	1	Muffler Guard ASM	23	1-811010	2	Plug
6:2	115-2047	2	Decal-Surface, Hot	24	3256-6	2	Washer-Flat
8	99-5107	4	Nut-Lock	28	107-1865	2	R-Clamp
9	126-0015	2	Grommet	29	32144-10	2	Screw-HWH
10	116-6612-01	1	Guard-Chain, RH	30	104-7050	1	Tube-Manual
				31	104-7048	1	Cap-Housing

● Not serviced separately

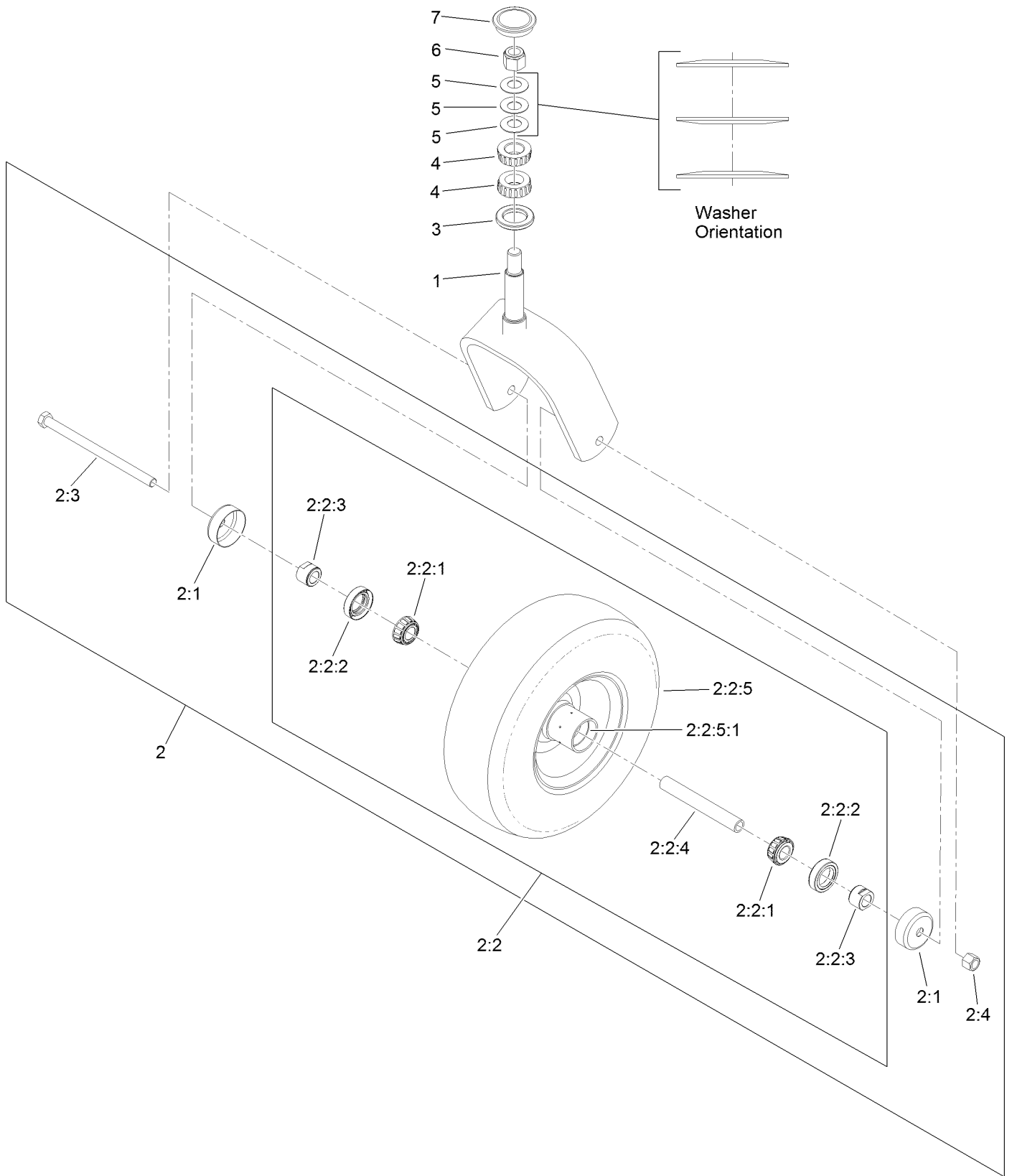
Main Frame Decal Assembly No. 116-8138



Main Frame Decal Assembly No. 116-8138 (continued)

<i>Ref.</i>	<i>Part Number</i>	<i>Qty.</i>	<i>Description</i>	<i>Ref.</i>	<i>Part Number</i>	<i>Qty.</i>	<i>Description</i>
2	121-6150	1	Decal-Warning	5	116-9391	1	Decal-Belt Routing
3	120-9570	1	Decal-Warning	6	32148-10	2	Insert-Nut
4	121-6161	2	Decal-Danger				

Caster Wheel and Fork Assembly

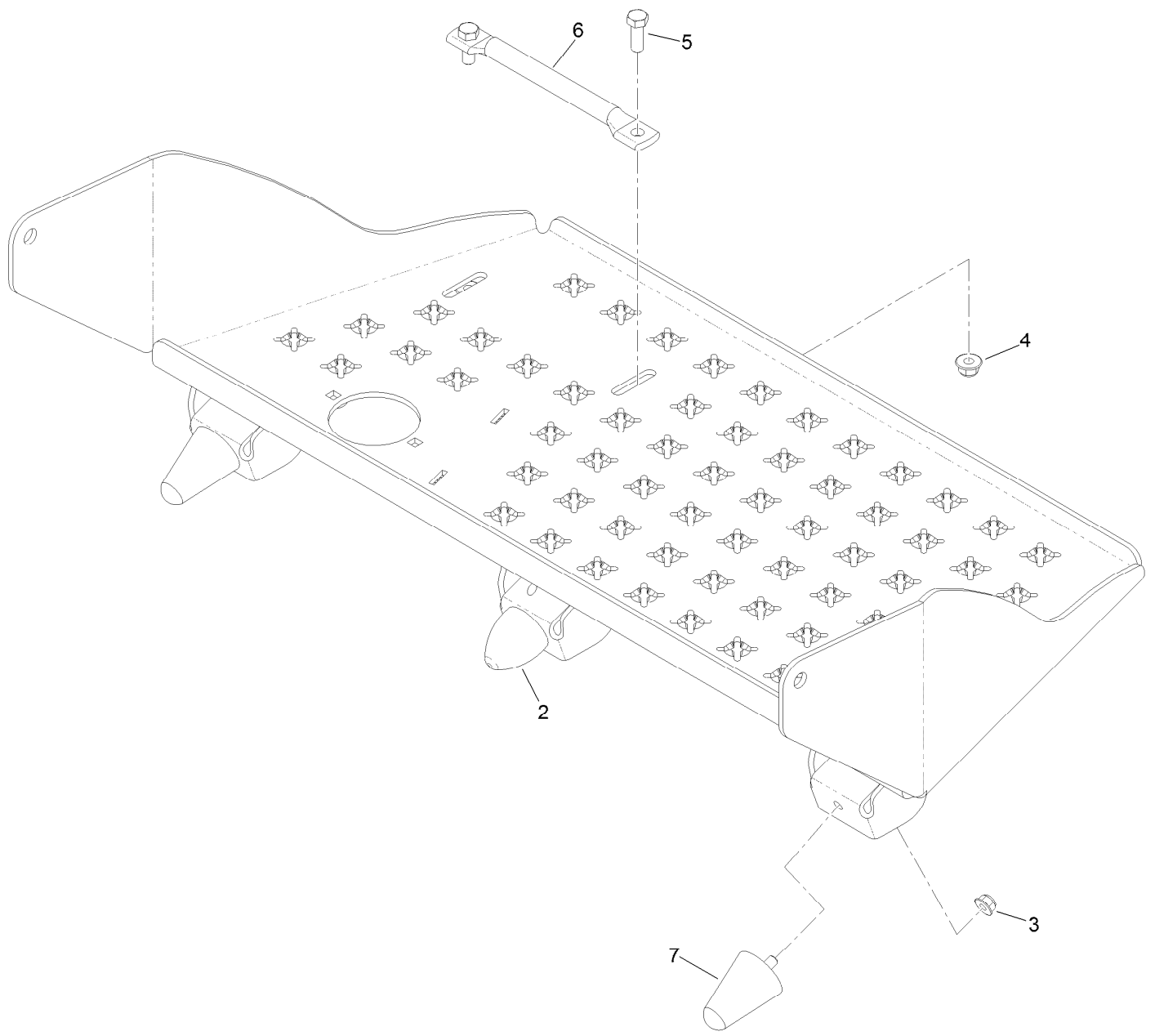


Caster Wheel and Fork Assembly (continued)

<i>Ref.</i>	<i>Part Number</i>	<i>Qty.</i>	<i>Description</i>	<i>Ref.</i>	<i>Part Number</i>	<i>Qty.</i>	<i>Description</i>
1	116-6704-01	1	Caster	2:2:5:1	1-633584	1	Bearing-Cup
2	109-9126	1	Wheel And Tire ASM	2:3	325-42	1	Screw-HH
2:1	103-2768	2	Guard-Seal	2:4	3296-23	1	Nut-Lock, NI
2:2		1	Wheel And Tire ASM ●	3	116-5647	1	Seal-Grease
2:2:1	1-633585	2	Bearing-Cone, Taper	4	1-543509	2	Bearing-Roller, Tapered
2:2:2	103-0063	2	Seal-Caster	5	1-633508	3	Washer-Bellville
2:2:3	103-3051	2	Spacer-Nut	6	3296-51	1	Nut-Lock, NI
2:2:4	103-3155	1	Axle-Caster	7	103-4882	1	Cap-Grease
2:2:5		1	Wheel And Tire ASM ●				

● Not serviced separately

Platform Assembly No. 116-9135

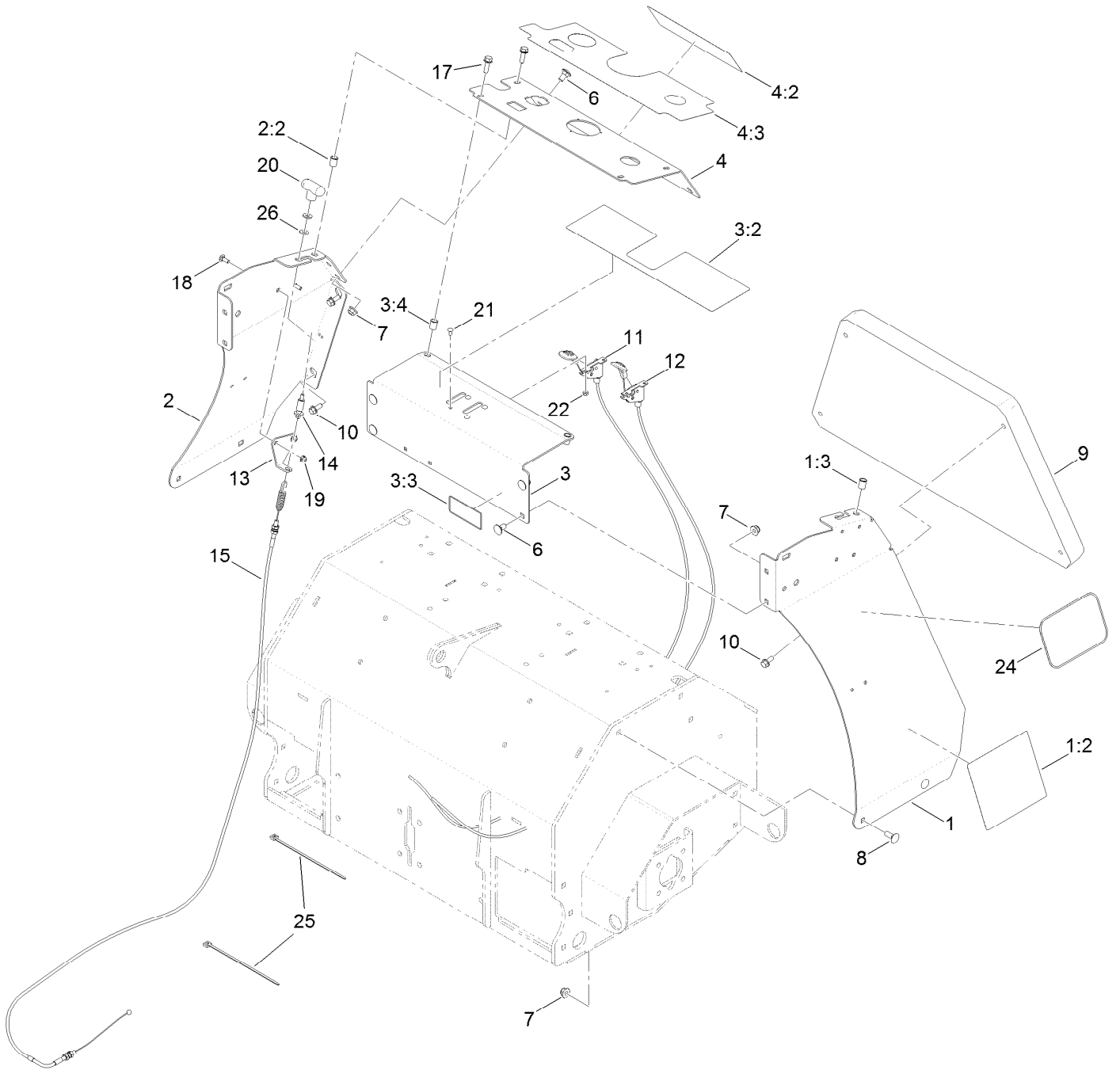


Platform Assembly No. 116-9135 (continued)

<i>Ref.</i>	<i>Part Number</i>	<i>Qty.</i>	<i>Description</i>
2	114-1926	1	Bumper-Rubber
3	104-8300	3	Nut-Flange, NI
4	104-8301	2	Nut-Flange, NI

<i>Ref.</i>	<i>Part Number</i>	<i>Qty.</i>	<i>Description</i>
5	323-6	2	Screw-HH
6	116-8950-01	1	Rocker-Pedal, Foot
7	114-1925	2	Bumper-Rubber

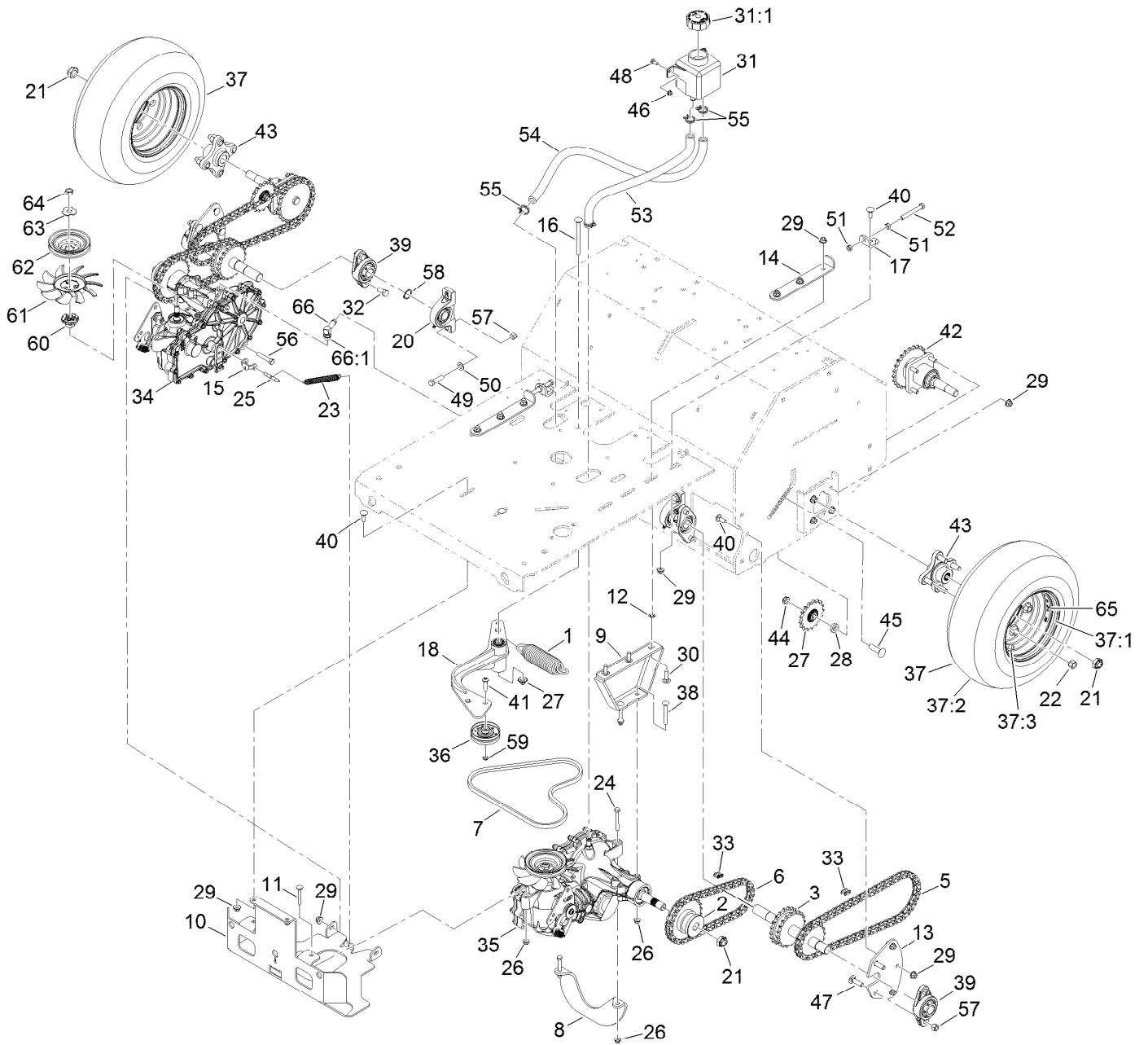
Tower Assembly



Tower Assembly (continued)

<i>Ref.</i>	<i>Part Number</i>	<i>Qty.</i>	<i>Description</i>	<i>Ref.</i>	<i>Part Number</i>	<i>Qty.</i>	<i>Description</i>
1	116-9387	1	LH Side Panel ASM	9	116-6959	1	Cushion-Black
1:2	116-9392	1	Decal-Service Aid Ce	10	3234-5	4	Screw-HHF
1:3	32148-7	1	Nut-Insert	11	109-9147	1	Control-Choke
2	116-7657	1	RH Side Panel ASM	12	109-3958	1	Control-Throttle
2:2	32148-7	1	Nut-Insert	13	116-6630	1	Bracket-Cable, Brake
3	126-3136	1	Plate W/Decal ASM	14	116-7504	1	Link-Cable, Brake
3:2	121-6164	1	Decal-Warning, Control Panel	15	116-7503	1	Cable-Brake
3:3	121-6162	1	Decal-Warning, Tines	17	3234-29	4	Screw-HHF
3:4	32148-7	2	Nut-Insert	18	3229-1	2	Bolt-CARR
4	116-9142	1	Console ASM	19	104-7201	2	Nut-HF
4:2	121-6166	1	Decal-Danger	20	116-7607	1	Knob-Tee
4:3	116-9132	1	Decal-Danger, Control Panel	21	1-807513	4	Bolt-CARR
6	3231-1	6	Screw-CARR	22	3296-2	4	Nut-Lock, NI
7	104-8301	10	Nut-Flange, NI	24	62-5550	2	Decal
8	3231-2	4	Bolt-CARR	25	1-303335	2	Tie-Plastic
				26	3256-2	2	Washer-Flat

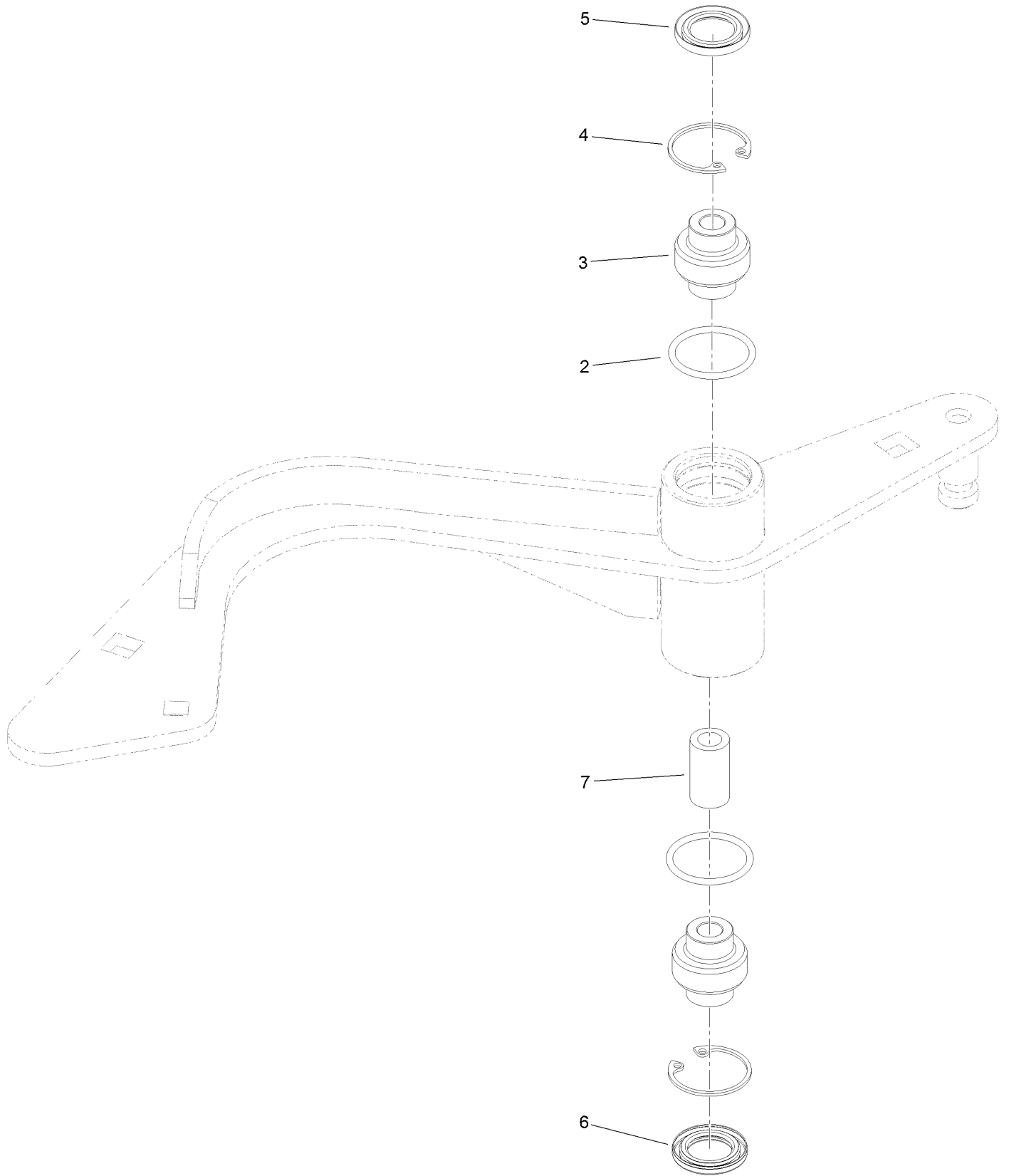
Ground Drive Assembly



Ground Drive Assembly (continued)

<i>Ref.</i>	<i>Part Number</i>	<i>Qty.</i>	<i>Description</i>	<i>Ref.</i>	<i>Part Number</i>	<i>Qty.</i>	<i>Description</i>
1	116-6317	1	Spring-Extension	37	116-6932	2	Tire ASM
2	116-9305	2	Hub-Drive, Chain	37:1	116-6977	1	Rim
3	116-9684	2	Jackshaft	37:2	116-6978	1	Tire
5	116-6895	2	Chain-Roller, #50, 65 Links	37:3	232-27	1	Stem-Valve
6	116-6896	2	Chain-Roller #50, 47 Pitches	38	3230-9	4	Screw-CARR
7	116-8874	1	Belt-4L Section	39	116-6777	4	Bearing-Flange, 2 Bolt
8	116-9127-03	1	Angle Brace	40	3231-2	10	Bolt-CARR
9	116-9710-03	2	Mount-Transmission	41	116-9927	1	Screw-HSBH
10	116-9711-03	1	Guard-Transmission	42	116-9545	2	Axle And Bearing ASM
11	3230-7	2	Bolt-CARR	43	116-3872	2	Hub-Offset
12	107-3154	6	Nut-Push	44	3296-45	2	Nut-Lock, NI
13	116-6596-01	2	Plate-Jackshaft	45	3233-14	2	Screw-CARR
14	116-6619	2	Plate-Adjustment, Transmission	46	104-7201	2	Nut-HF
15	116-7597	1	Yoke-Park Brake	47	3232-3	4	Bolt-CARR
16	9000779	1	Bolt	48	3229-1	2	Bolt-CARR
17	116-6723	2	Bracket-Hydro, Adjust	49	324-6	4	Screw-HH
18	116-9307	1	Idler Arm ASM	50	3256-25	4	Washer-Flat
20	116-6756	2	Bearing-Pillow Block	51	3217-7	4	Nut-Hex
21	116-2839	4	Nut-Lock	52	99-8664	2	Screw-HH
22	242-50	8	Nut-Lug	53	116-6775	1	Hose-Hydraulic
23	76-4660	1	Spring-Door	54	116-6776	1	Hose-Hydraulic
24	322-12	2	Screw-HH	55	109-3322	4	Clamp-Hose
25	116-7596	1	Pin-Brake, Park	56	323-10	2	Screw-HH
26	104-8300	8	Nut-Flange, NI	57	3296-48	8	Nut-Lock, NI
27	116-6719	2	Sprocket-Idler, 17T	58	32151-29	2	Ring-Retaining
28	104-8417	2	Washer	59	3296-59	1	Nut-Lock, NI
29	104-8301	27	Nut-Flange, NI	60	116-9705	2	Hub-Pulley
30	3231-25	6	Bolt-CARR	61	116-9706	2	Fan
31	109-2250	1	Vent-Tank, Hydro	62	116-9707	2	Pulley
31:1	109-3320	1	Cap-Reservoir, HYD	63	116-9708	2	Washer-Slotted
32	116-7109	4	Screw-HH	64	116-9714	2	Nut-Jam
33	116-6897	4	Link-Connecting, #50	65	126-2054	2	Decal-Torque Wheel Lug-Hub
34	116-9712	1	RH Transaxle ASM (No Fan)	66	109-6449	1	Fitting-Elbow, 90
35	116-9713	1	LH Transaxle ASM (No Fan)	66:1	237-42	1	O-Ring
36	116-9715	1	Pulley-Idler				

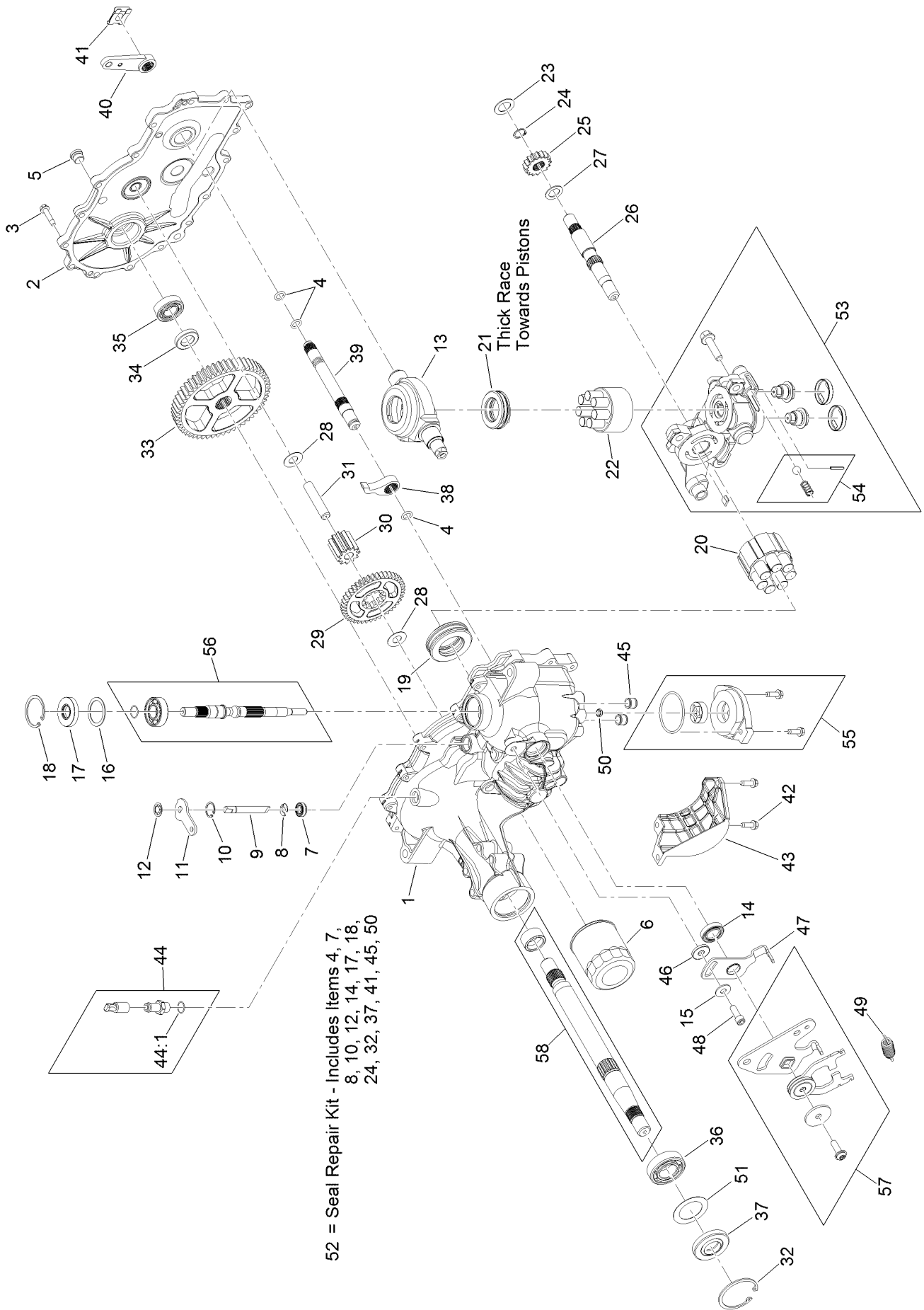
Idler Arm Assembly No. 116-9307



Idler Arm Assembly No. 116-9307 (continued)

<i>Ref.</i>	<i>Part Number</i>	<i>Qty.</i>	<i>Description</i>	<i>Ref.</i>	<i>Part Number</i>	<i>Qty.</i>	<i>Description</i>
2	106-7159	2	O-Ring	5	103-3506	1	Seal-Single Lip
3	103-3504	2	Bearing-Spherical	6	103-3505	1	Seal-Double Lip
4	32120-10	2	Ring-Snap	7	1-603401	1	Spacer-Fender

RH Transaxle Assembly No. 116-9712

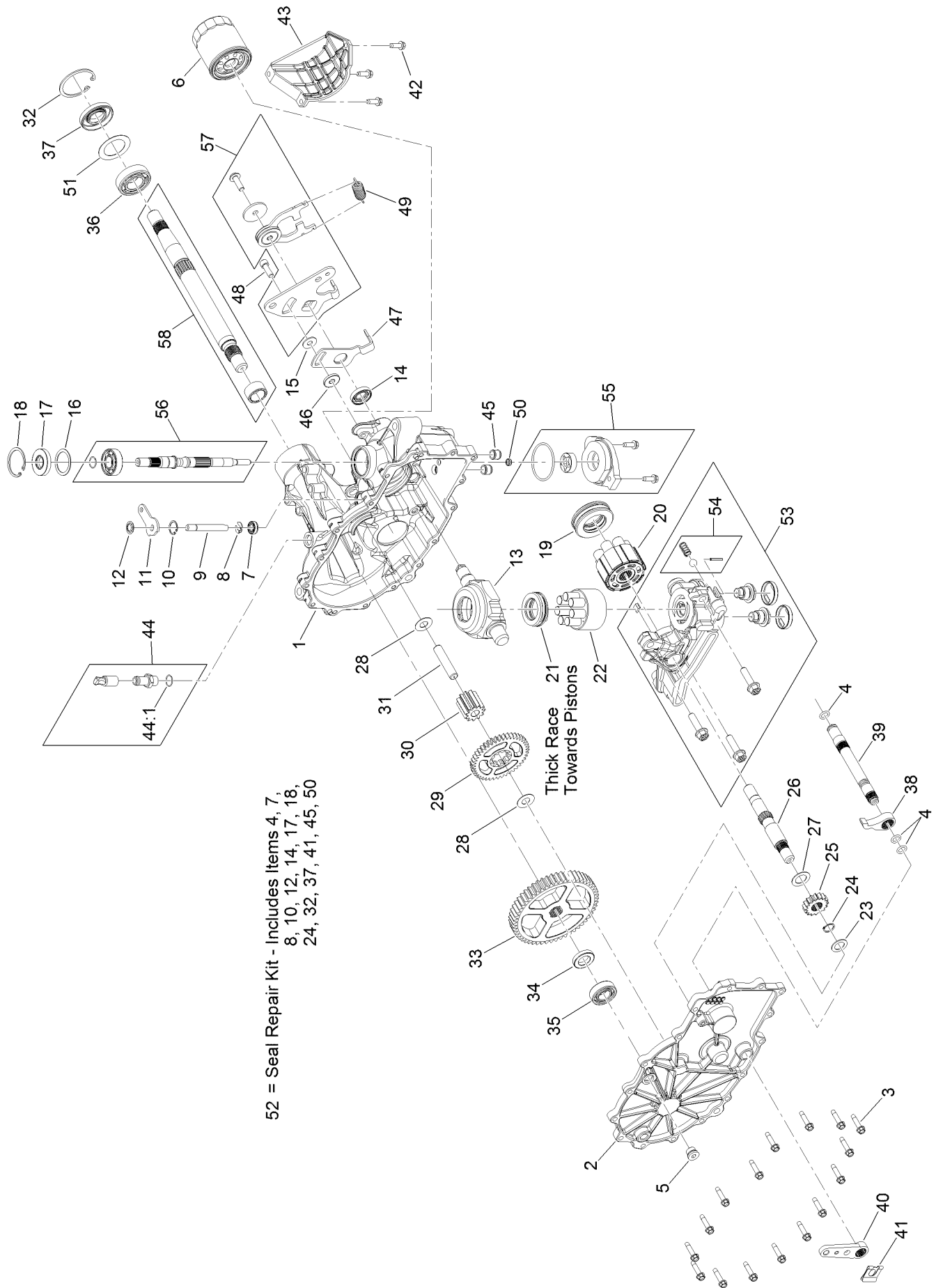


52 = Seal Repair Kit - Includes Items 4, 7, 8, 10, 12, 14, 17, 18, 24, 32, 37, 41, 45, 50

RH Transaxle Assembly No. 116-9712 (continued)

<i>Ref.</i>	<i>Part Number</i>	<i>Qty.</i>	<i>Description</i>	<i>Ref.</i>	<i>Part Number</i>	<i>Qty.</i>	<i>Description</i>
1	114-1676	1	Main Housing Kit	31	104-5329	1	Pin-Jackshaft
2	117-5358	1	Housing Side Kit	32	104-2169	1	Ring-Retaining
3	117-5359	16	Screw-HHF	33	114-1694	1	Gear-54T
4	114-1678	4	O-Ring	34	120-7975	1	Spacer
5	104-2189	1	Plug-Thread, Straight	35	126-0789	1	Bearing-Ball
6	109-3321	1	Element-Oil Filter, HYD	36	120-7976	1	Bearing-Ball
7	106-8676	1	Seal-Lip	37	104-2144	1	Seal
8	106-8677	1	Ring-Retaining, EXT	38	114-1697	1	Pawl-Brake
9	114-1685	1	Rod-Bypass	39	114-1698	1	Shaft-Brake, Inboard
10	106-8679	1	Ring-Retaining, Int	40	125-0021	1	Handle-Brake
11	106-8680	1	Arm-Bypass	41	131-0906	1	Ring-Retaining, EXT
12	106-8681	1	Ring-Retaining, EXT	42	104-2120	3	Screw
13	104-5304	1	Swashplate-Trunnion	43	120-7981	1	Guard-Filter, RH
14	104-5313	1	Seal-Lip	44	109-3278	1	Adapter-Straight
15	114-8491	1	Washer	44:1	237-42	1	O-Ring
16	104-5308	1	Spacer	45	126-3251	2	Tube-Charge
17	104-5310	1	Seal-Lip	46	114-8458	1	Spacer
18	104-5309	1	Ring-Retaining	47	114-8459	1	Arm-Neutral, Right
19	109-2865	1	Bearing-Thrust	48	106-8682	1	Screw-Sh
20	114-1689	1	Motor Cylinder Block Kit	49	115-8307	1	Spring-Extension
21	94-6922	1	Bearing-Thrust	50	131-0908	1	Seal-Gerotor
22	110-8561	1	Pump Block ASM	51	121-5745	1	Spacer
23	104-5339	1	Washer-Flat	52	109-3537	1	Seal Kit
24	104-5340	1	Ring-Retaining	53	120-7982	1	RH Center Section Charge Kit
25	126-0788	1	Gear-16T	54	114-8464	1	Charge Relief Kit
26	114-1691	1	Shaft-Motor	55	114-8465	1	Charge Kit
27	104-5360	1	Washer	56	117-5361	1	Input Shaft Kit
28	94-1933	2	Washer	57	126-2291	1	Control Arm Kit
29	125-0000	1	Gear-43T	58	114-8470	1	Axle Shaft Kit
30	120-7974	1	Gear-11T				

LH Transaxle Assembly No. 116-9713



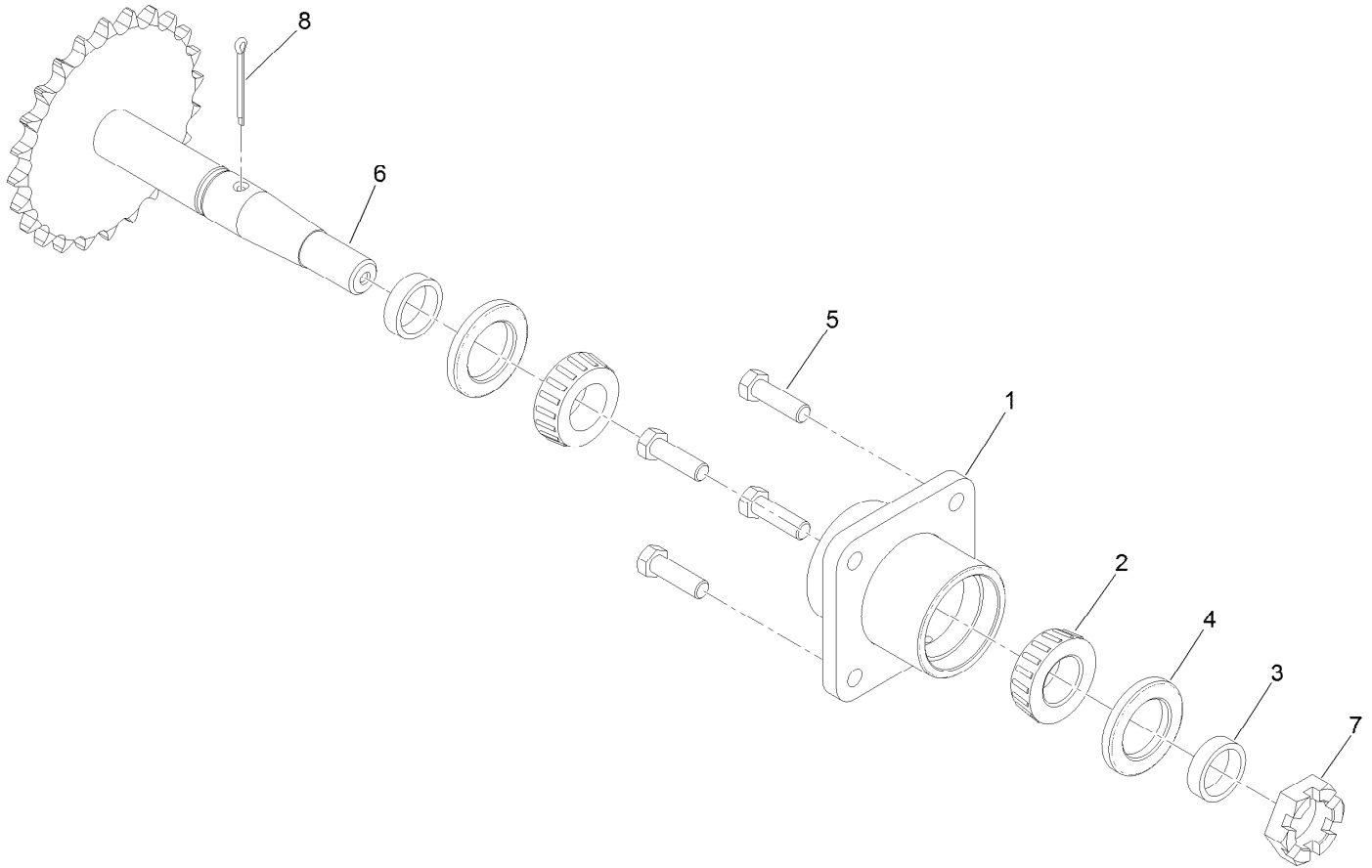
52 = Seal Repair Kit - Includes Items 4, 7, 8, 10, 12, 14, 17, 18, 24, 32, 37, 41, 45, 50

Thick Race
Towards
Pistons

LH Transaxle Assembly No. 116-9713 (continued)

<i>Ref.</i>	<i>Part Number</i>	<i>Qty.</i>	<i>Description</i>	<i>Ref.</i>	<i>Part Number</i>	<i>Qty.</i>	<i>Description</i>
1	114-8471	1	Main Housing Kit	31	104-5329	1	Pin-Jackshaft
2	114-8472	1	Side Cover Kit	32	104-2169	1	Ring-Retaining
3	117-5359	16	Screw-HHF	33	114-1694	1	Gear-54T
4	114-1678	4	O-Ring	34	120-7975	1	Spacer
5	104-2189	1	Plug-Thread, Straight	35	126-0789	1	Bearing-Ball
6	109-3321	1	Element-Oil Filter, HYD	36	120-7976	1	Bearing-Ball
7	106-8676	1	Seal-Lip	37	104-2144	1	Seal
8	106-8677	1	Ring-Retaining, EXT	38	114-1697	1	Pawl-Brake
9	114-1685	1	Rod-Bypass	39	114-1698	1	Shaft-Brake, Inboard
10	106-8679	1	Ring-Retaining, Int	40	125-0021	1	Handle-Brake
11	106-8680	1	Arm-Bypass	41	131-0906	1	Ring-Retaining, EXT
12	106-8681	1	Ring-Retaining, EXT	42	104-2120	3	Screw
13	104-5304	1	Swashplate-Trunnion	43	120-7981	1	Guard-Filter, RH
14	104-5313	1	Seal-Lip	44	109-3278	1	Adapter-Straight
15	114-8491	1	Washer	44:1	237-42	1	O-Ring
16	104-5308	1	Spacer	45	114-8455	2	Tube-Connecting
17	104-5310	1	Seal-Lip	46	114-8458	1	Spacer
18	104-5309	1	Ring-Retaining	47	114-8474	1	Arm-Neutral, Left
19	109-2865	1	Bearing-Thrust	48	106-8682	1	Screw-Sh
20	114-1689	1	Motor Cylinder Block Kit	49	115-8307	1	Spring-Extension
21	94-6922	1	Bearing-Thrust	50	131-0908	1	Seal-Gerotor
22	110-8561	1	Pump Block ASM	51	121-5745	1	Spacer
23	104-5339	1	Washer-Flat	52	109-3537	1	Seal Kit
24	104-5340	1	Ring-Retaining	53	120-7980	1	LH Center Section Charge Kit
25	126-0788	1	Gear-16T	54	114-8464	1	Charge Relief Kit
26	114-1691	1	Shaft-Motor	55	114-8465	1	Charge Kit
27	104-5360	1	Washer	56	117-5361	1	Input Shaft Kit
28	94-1933	2	Washer	57	126-0790	1	Control Arm Kit
29	125-0000	1	Gear-43T	58	114-8470	1	Axle Shaft Kit
30	120-7974	1	Gear-11T				

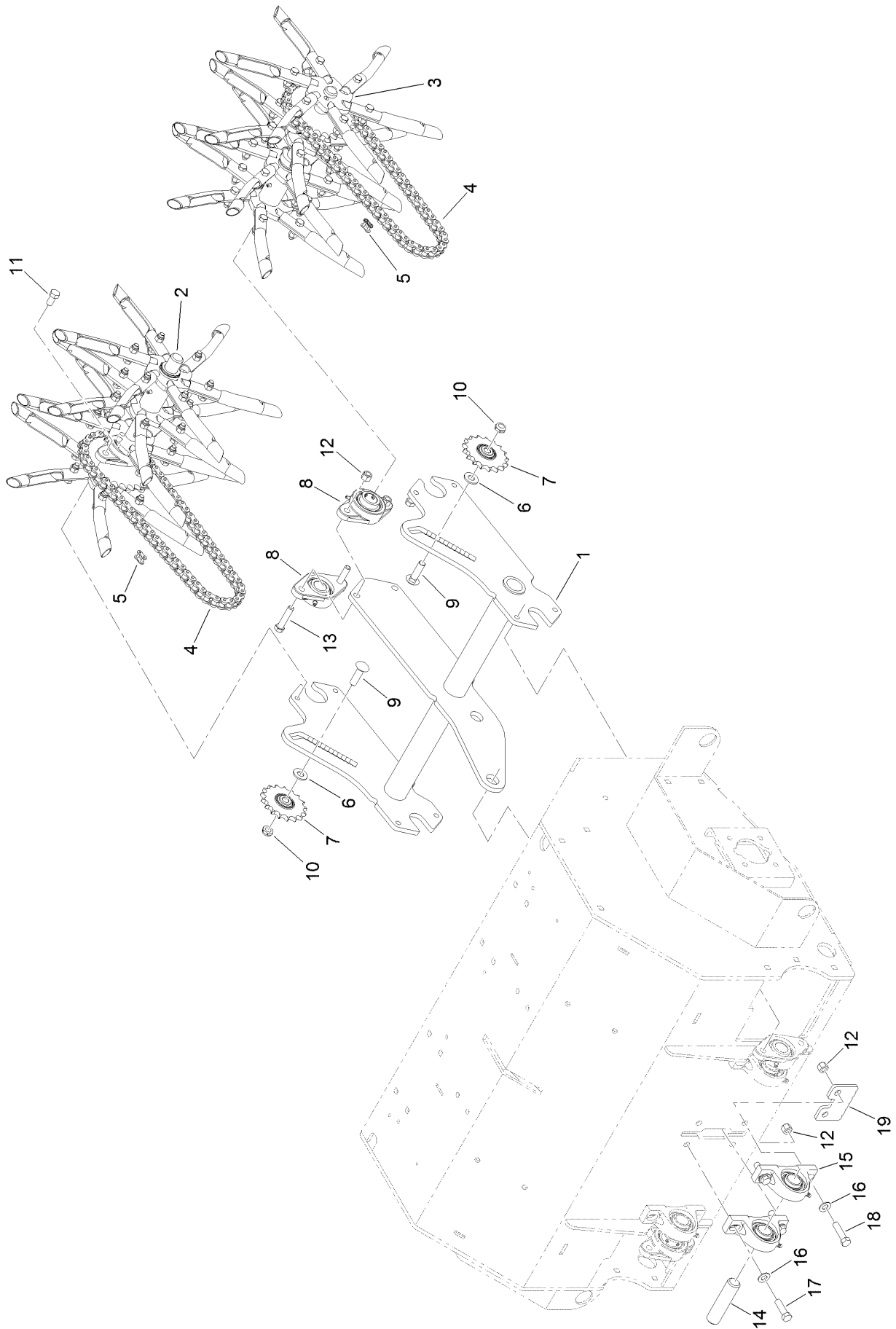
Axle and Bearing Assembly No. 116-9545



Axle and Bearing Assembly No. 116-9545 (continued)

<i>Ref.</i>	<i>Part Number</i>	<i>Qty.</i>	<i>Description</i>	<i>Ref.</i>	<i>Part Number</i>	<i>Qty.</i>	<i>Description</i>
1	116-6746-01	1	Mount-Bearing, Wheel	5	323-7	4	Screw-HH
2	1-543509	2	Bearing-Roller, Tapered	6	126-0459	1	Axle
3	116-6758	2	Spacer	7	99-3139	1	Nut
4	1-543511	2	Seal-Grease	8	1-806800	1	Pin-Cotter

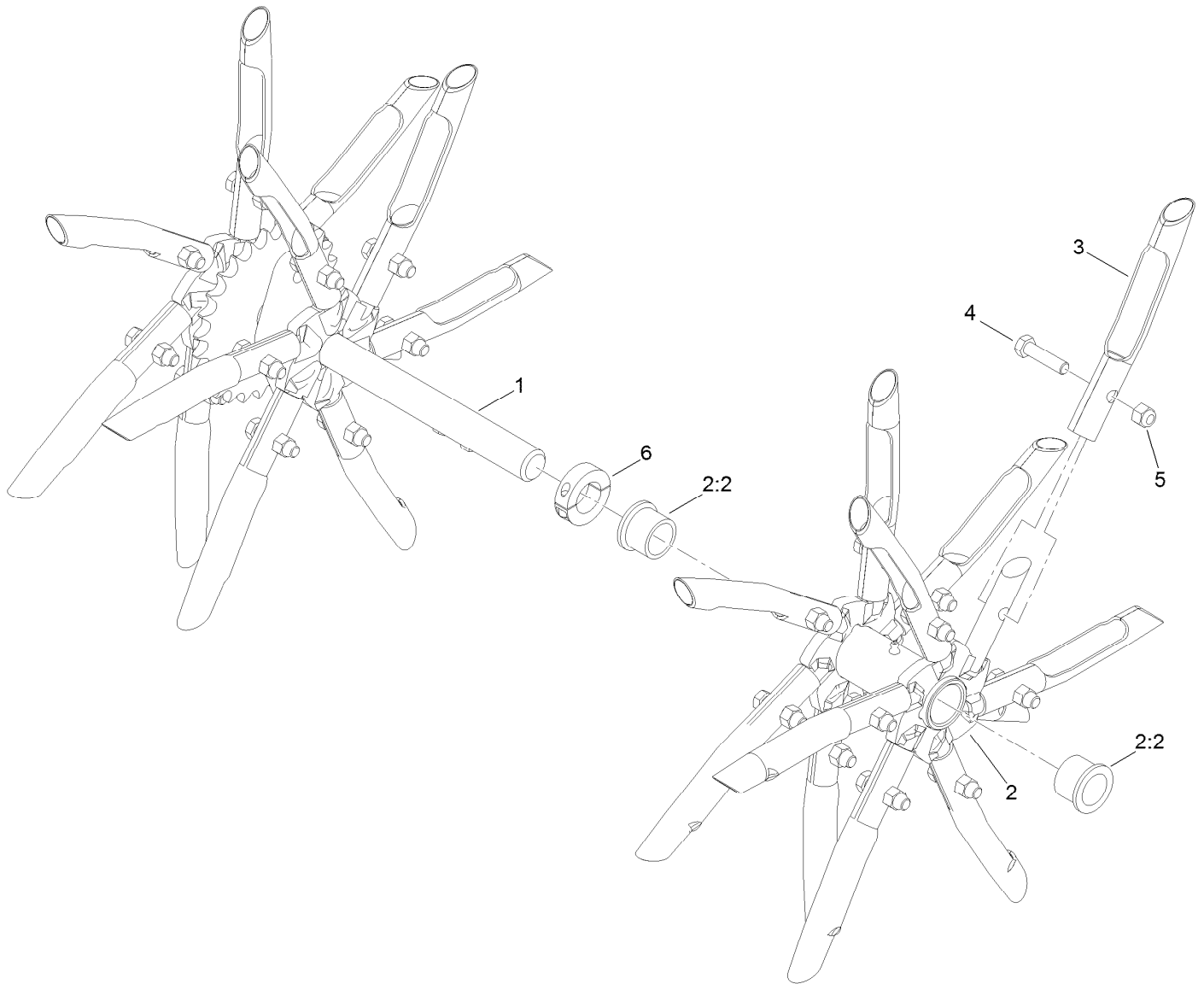
Tine Assembly



Tine Assembly (continued)

<i>Ref.</i>	<i>Part Number</i>	<i>Qty.</i>	<i>Description</i>	<i>Ref.</i>	<i>Part Number</i>	<i>Qty.</i>	<i>Description</i>
1	116-6553-03	1	Arm-Trail	11	116-7109	4	Screw-HH
2	116-6738	1	RH Tine Wheel ASM	12	3296-48	6	Nut-Lock, NI
3	116-6739	1	LH Tine Wheel ASM	13	324-8	2	Screw-HH
4	116-6895	2	Chain-Roller, #50, 65 Links	14	116-6629	1	Shaft
5	116-6897	2	Link-Connecting, #50	15	116-6756	2	Bearing-Pillow Block
6	87-7270	2	Washer-Thrust	16	3256-25	4	Washer-Flat
7	116-6719	2	Sprocket-Idler, 17T	17	324-6	2	Screw-HH
8	116-6777	2	Bearing-Flange, 2 Bolt	18	324-7	2	Screw-HH
9	3233-14	2	Screw-CARR	19	116-7327-01	1	Plate-Downstop
10	3296-45	2	Nut-Lock, NI				

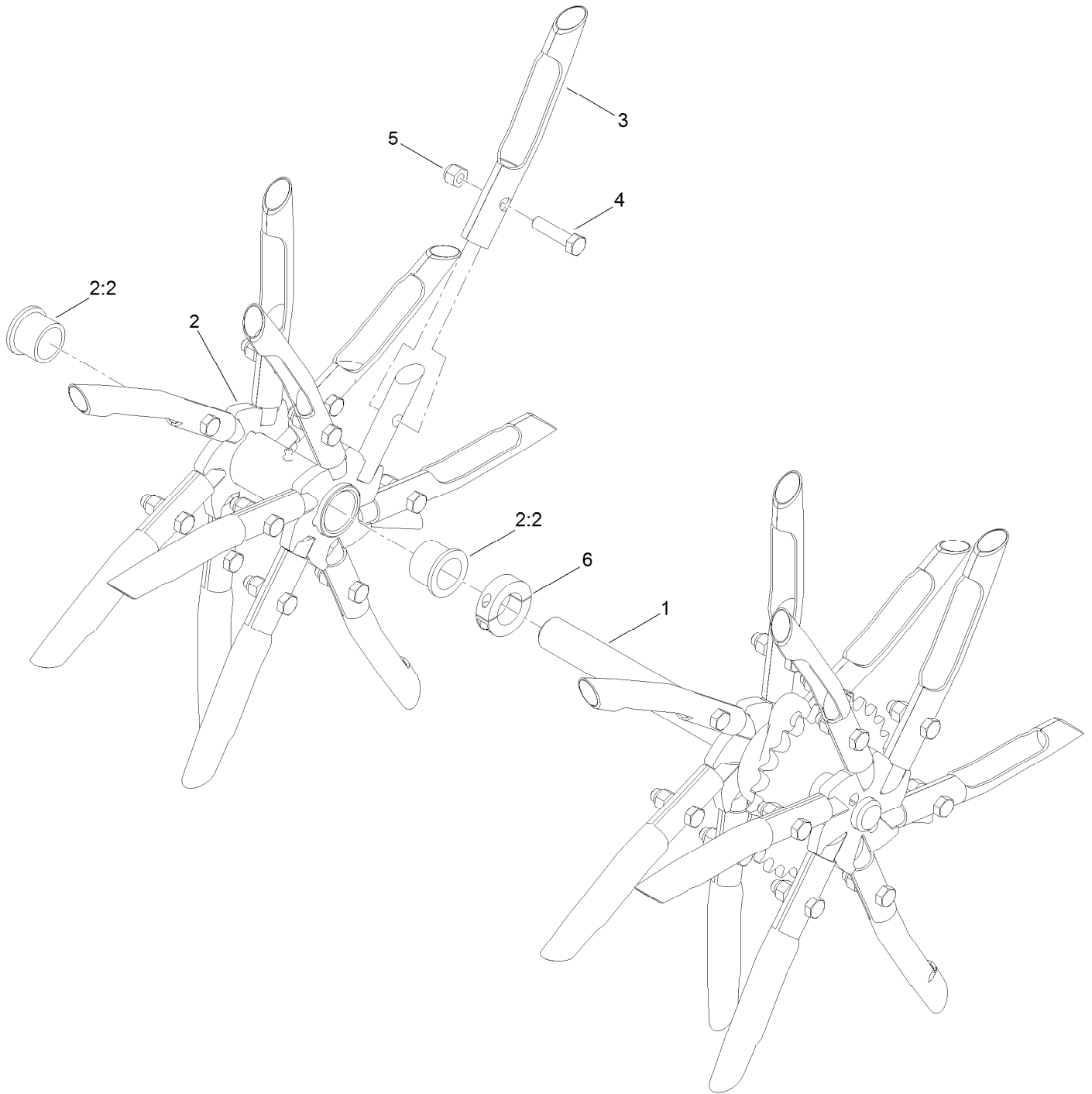
RH Tine Wheel Assembly No. 116-6738



RH Tine Wheel Assembly No. 116-6738 (continued)

<i>Ref.</i>	<i>Part Number</i>	<i>Qty.</i>	<i>Description</i>	<i>Ref.</i>	<i>Part Number</i>	<i>Qty.</i>	<i>Description</i>
1	116-6727	1	Shaft-Tine, RH	4	323-8	24	Screw-HH
2	116-6731	1	Float Tine Shaft ASM	5	3296-39	24	Nut-Lock, NI
2:2	94-8949	2	Bushing-Flange	6	116-7271	1	Collar-Locking
3	126-2143	24	Tine-Coring (3/4)				

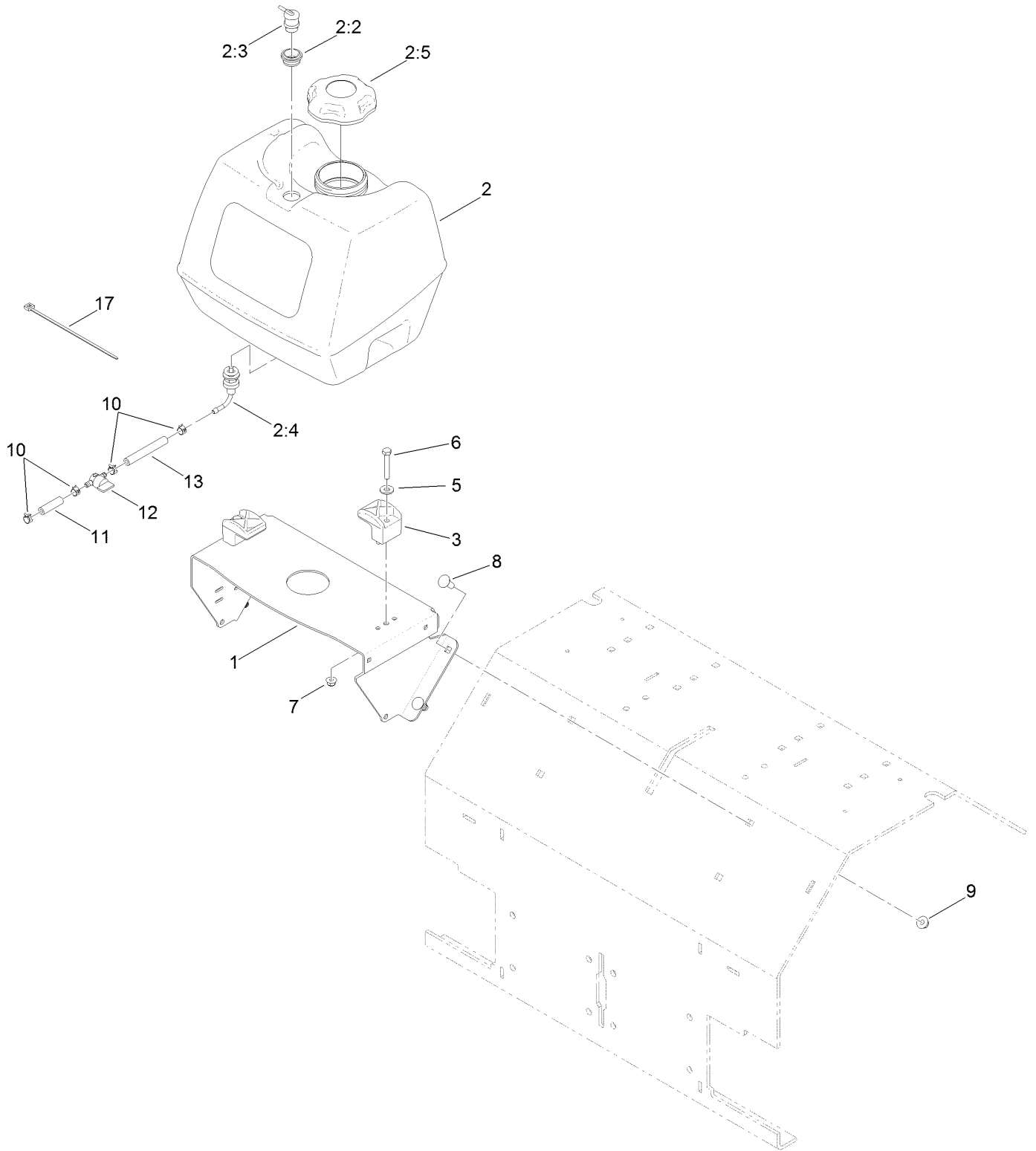
LH Tine Wheel Assembly No. 116-6739



LH Tine Wheel Assembly No. 116-6739 (continued)

<i>Ref.</i>	<i>Part Number</i>	<i>Qty.</i>	<i>Description</i>	<i>Ref.</i>	<i>Part Number</i>	<i>Qty.</i>	<i>Description</i>
1	116-6728	1	Shaft-Tine, LH	4	323-8	24	Screw-HH
2	116-6731	1	Float Tine Shaft ASM	5	3296-39	24	Nut-Lock, NI
2:2	94-8949	2	Bushing-Flange	6	116-7271	1	Collar-Locking
3	126-2143	24	Tine-Coring (3/4)				

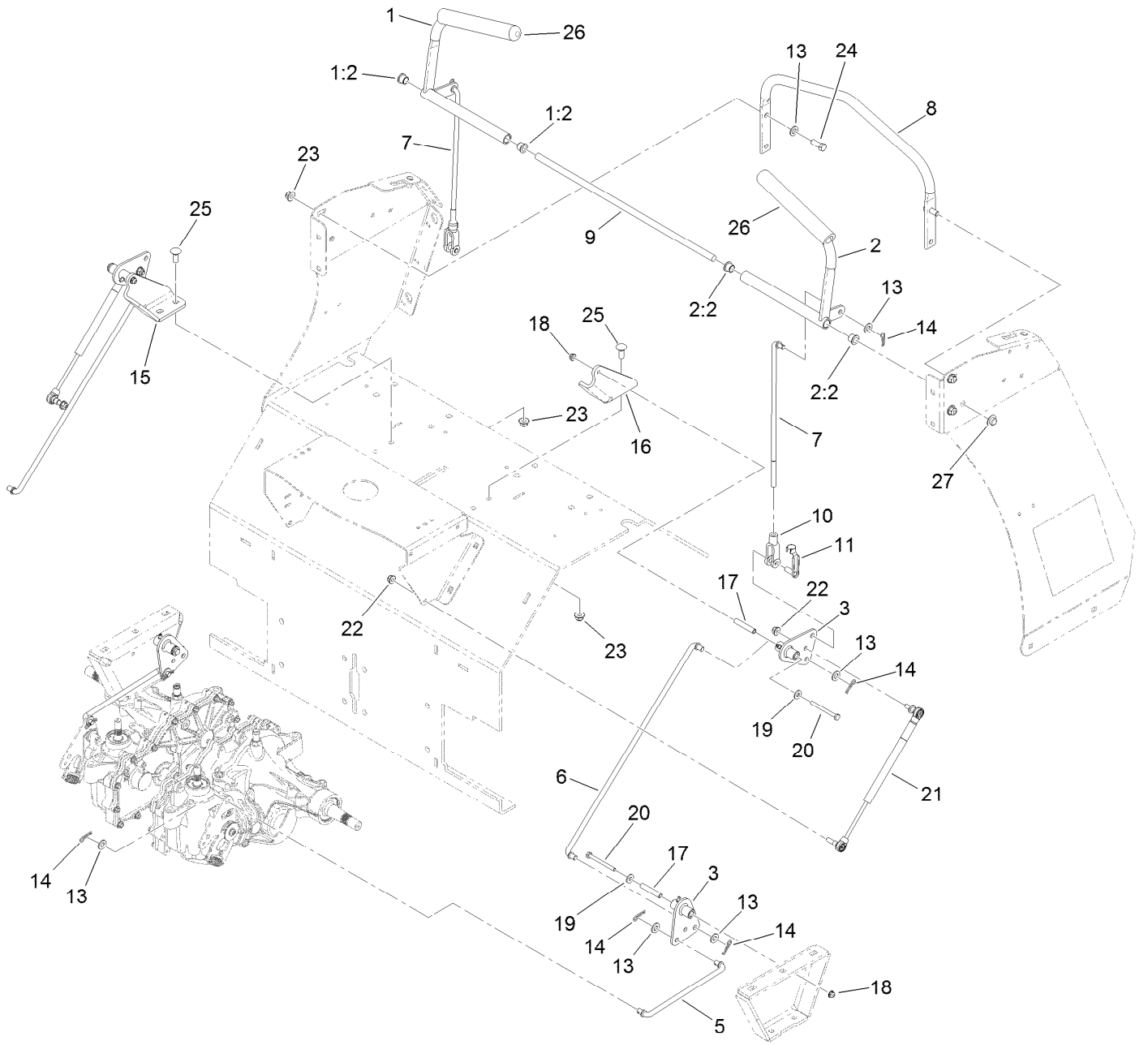
Fuel Assembly



Fuel Assembly (continued)

<i>Ref.</i>	<i>Part Number</i>	<i>Qty.</i>	<i>Description</i>	<i>Ref.</i>	<i>Part Number</i>	<i>Qty.</i>	<i>Description</i>
1	116-9541-01	1	Support-Tank, Fuel	7	104-8300	2	Nut-Flange, NI
2	126-1526	1	Fuel Tank ASM	8	3231-22	4	Screw-CARR
2:2	114-0284	1	Grommet	9	104-8301	4	Nut-Flange, NI
2:3	119-3547	1	Valve-Vent, Fuel	10	2412-98	4	Clamp-Hose
2:4	103-2605	1	Fitting-Fuel, Bulkhead	11	119-7856	1	Hose-Fuel
2:5	120-5461	1	Cap-Fuel, Ratcheting	12	1-603770	1	Valve-Fuel
3	107-4543	2	Clamp	13	105-8342	1	Hose-Fuel
5	3256-3	2	Washer-Flat	17	1-303335	3	Tie-Plastic
6	322-10	2	Screw-HH				

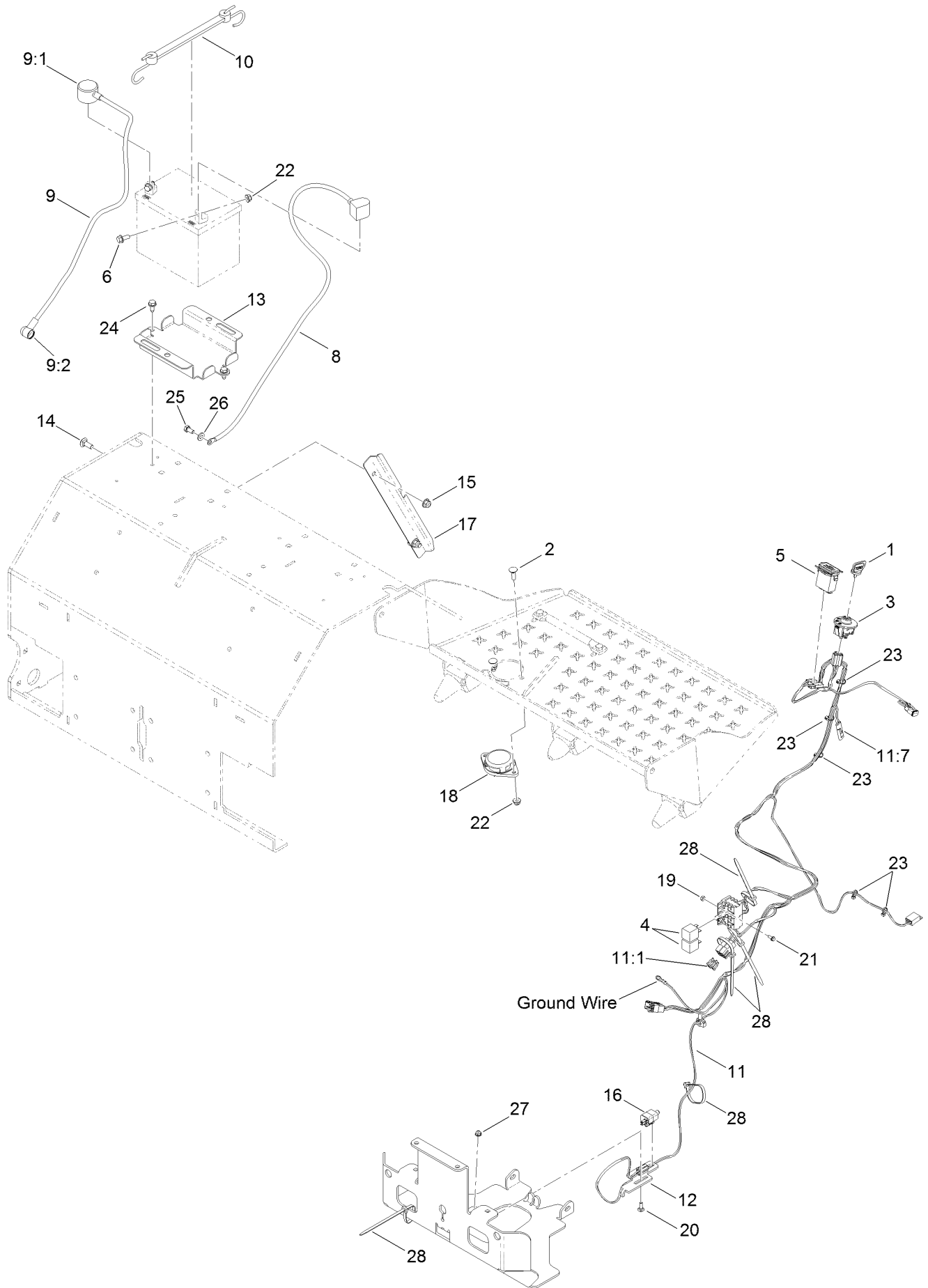
Motion Control Assembly



Motion Control Assembly (continued)

<i>Ref.</i>	<i>Part Number</i>	<i>Qty.</i>	<i>Description</i>	<i>Ref.</i>	<i>Part Number</i>	<i>Qty.</i>	<i>Description</i>
1	116-6567	1	RH Control Handle ASM	15	116-6576-03	1	Bracket-Pivot, RH
1:2	116-4279	2	Bearing-Flange	16	116-6577-03	1	Bracket-Pivot, LH
2	116-6566	1	LH Control Handle ASM	17	116-7224	4	Spacer
2:2	116-4279	2	Bearing-Flange	18	104-7201	4	Nut-Nyloc
3	126-0340	4	Bellcrank W/Zerk	19	3256-2	4	Washer
5	116-6722	2	Link-Control, Hydro	20	321-14	4	Screw-HH
6	116-9298	2	Link-Control, Bell Crank	21	116-0027	2	Damper-Control, Motion
7	116-6730	2	Link-Control, Bell Crank	22	104-8300	4	Nut-Nyloc
8	116-6608-03	1	Bar-Reference	23	104-8301	8	Nut-Nyloc
9	116-6607	1	Shaft-Pivot, Control	24	323-6	4	Screw-HH
10	1-633131	2	Yoke-Linkage, Brake	25	3231-2	4	Bolt-Carriage
11	103-2399	2	Pin-Clevis Spring	26	103-8153	2	Grip-Lever, Control
13	3256-24	14	Washer	27	32112-14	2	Nut-Push
14	1-806003	10	Hairpin-Cotter				

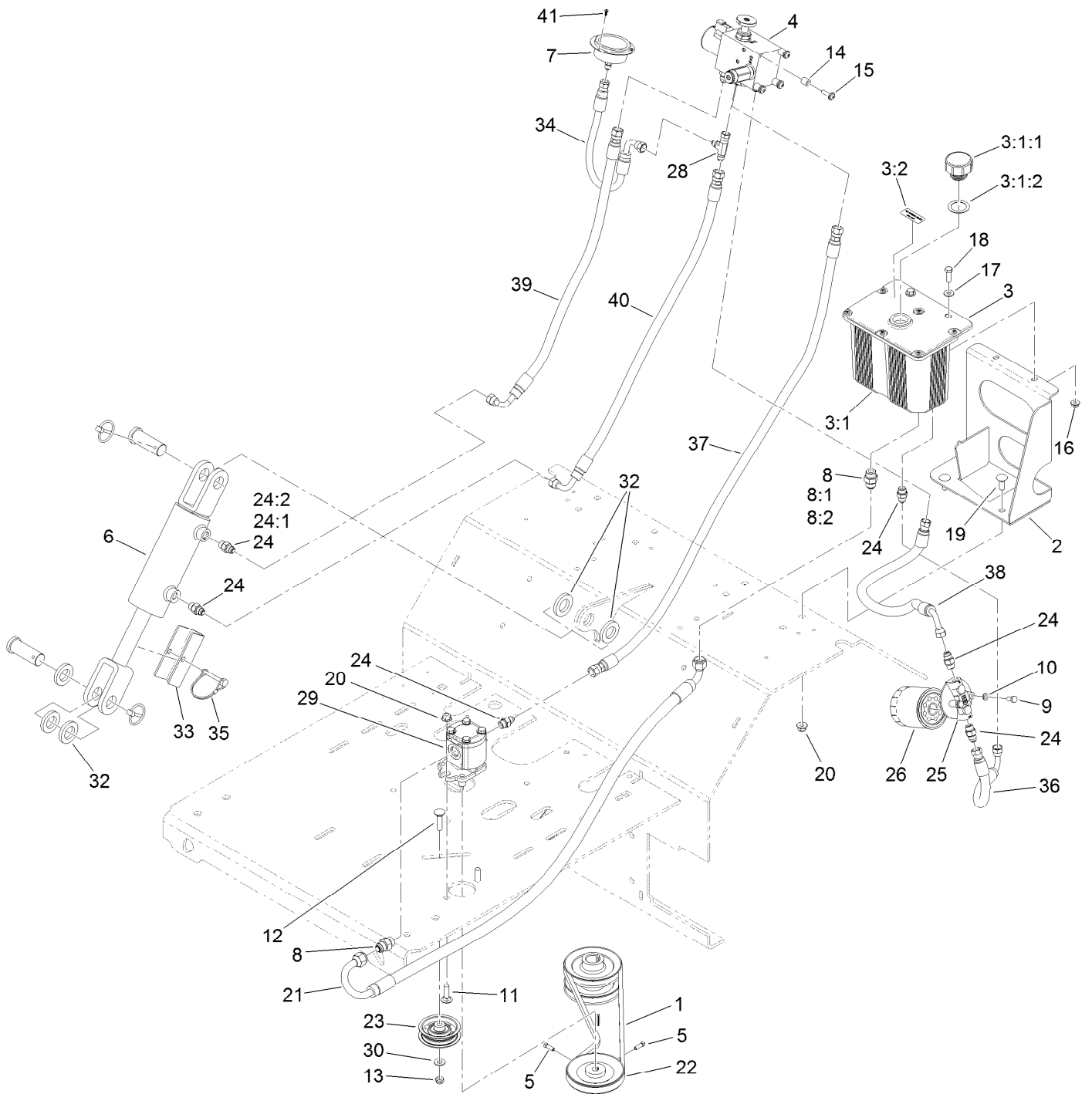
Electrical Assembly



Electrical Assembly (continued)

<i>Ref.</i>	<i>Part Number</i>	<i>Qty.</i>	<i>Description</i>	<i>Ref.</i>	<i>Part Number</i>	<i>Qty.</i>	<i>Description</i>
1	1-603511	1	Keys-Ignition (Spare Pair)	13	116-9383-03	1	Bracket-Battery
1	63-8360	1	Key-Ignition	14	3231-2	2	Bolt-CARR
2	3230-2	2	Bolt-CARR	15	104-8301	2	Nut-Flange, NI
3	117-2221	1	Switch-Ignition	16	110-6765	1	Switch
4	1-643275	2	Relay	17	116-9394-03	1	Guard-Harness
5	1-513374	1	Meter-Hour	18	92-6282	1	Switch-Seat
6	3234-5	2	Screw-HHF	19	3296-2	2	Nut-Lock, NI
8	117-6422	1	Cable-Battery, Black	20	3229-1	1	Bolt-CARR
9	109-7630	1	Positive Battery Cable ASM	21	3290-321	2	Screw-HWH
9:1	109-2407	1	Insulator-Battery	22	104-8300	4	Nut-Flange, NI
9:2	1-543393	1	Insulator-Solenoid	23	1-303287	5	Tie-Cable
10	104-2466	1	Holddown-Battery	24	32144-70	2	Screw-HWHTF
11	116-9382	1	Harness ASM	25	33114-016	1	Screw-HH
11:1	1-816001	2	Fuse-Blade Type, 20 Amp	26	33094-00	1	Washer-Plain
11:7	116-0053	1	Cap-Plug	27	104-7201	1	Nut-HF
12	116-7589	1	Mount-Switch	28	1-303335	5	Tie-Plastic

Auxiliary Hydraulic Assembly

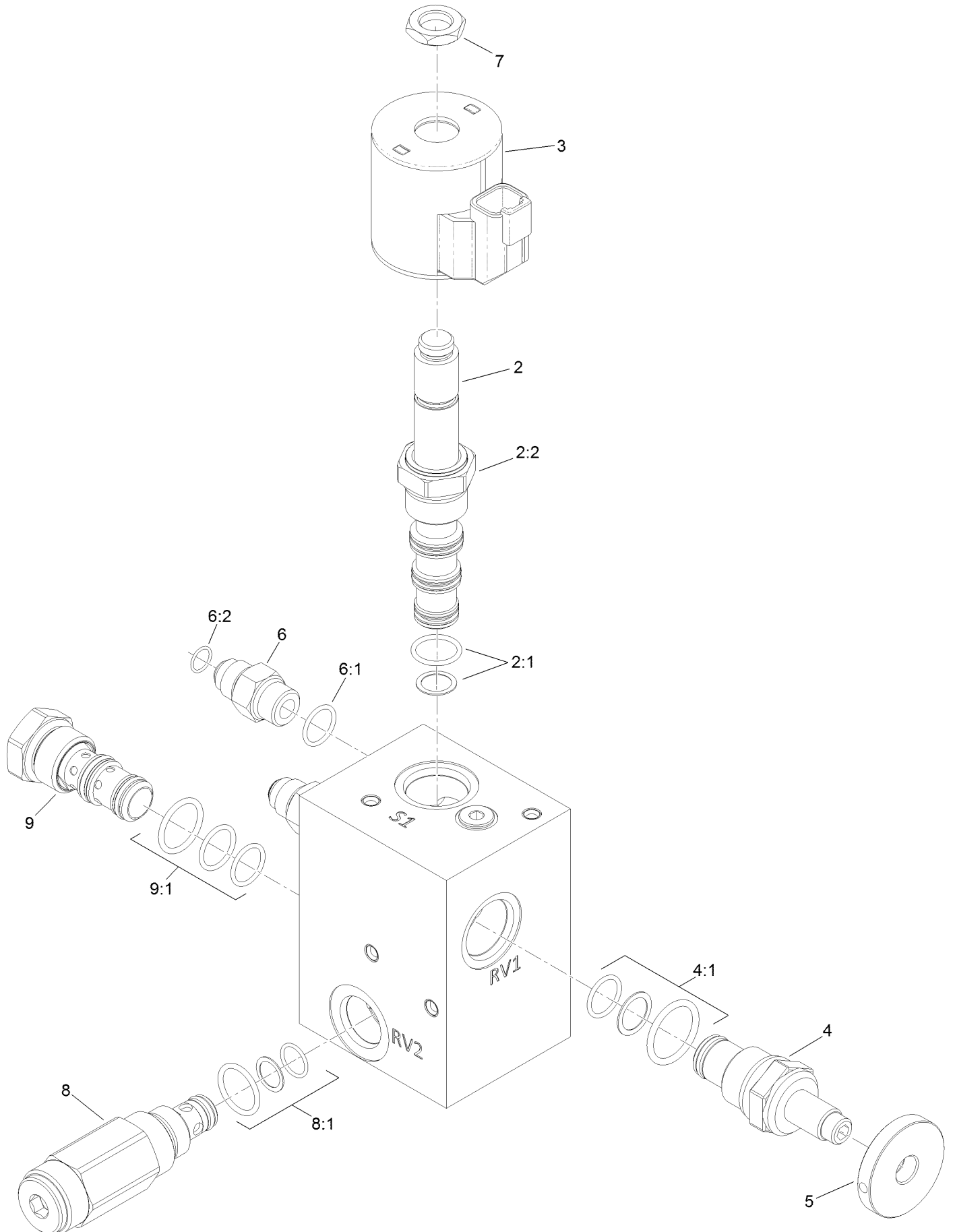


Auxiliary Hydraulic Assembly (continued)

<i>Ref.</i>	<i>Part Number</i>	<i>Qty.</i>	<i>Description</i>	<i>Ref.</i>	<i>Part Number</i>	<i>Qty.</i>	<i>Description</i>
1	116-8874	1	Belt-4L Section	19	3231-2	4	Bolt-CARR
2	116-6618-03	1	Bracket-Tank, Hydraulic	20	104-8301	6	Nut-Flange, NI
3	116-7557	1	Reservoir ASM	21	116-9309	1	Hose-Hydraulic
3:1		1	Tank-Hydraulic ●	22	116-6667	1	Pulley
3:1:1	103-1948	1	Cap-Reservoir, HYD	23	116-6760	1	Pulley-Idler, Flat
3:1:2	103-1949	1	Gasket-Cap	24	103-2156	6	Fitting-Straight
3:2	93-6686	1	Decal-Oil, HYD	24:1	1-603921	1	O-Ring
4	116-9549	1	Valve-Manifold	24:2	103-1020	1	O-Ring
5	3241-6	2	Screw-SQH	25	104-7836	1	Head-Filter
6	116-6969	1	HYD Cylinder ASM	26	1-633750	1	Filter-Oil, HYD
7	116-8178	1	Gauge-Pressure	28	353-877	1	Fitting-HYD, Tee (Swivel)
8	1-603990	2	Fitting-Straight	29	116-9129	1	Hydraulic Pump ASM
8:1	1-603920	1	O-Ring	30	3256-24	1	Washer-Flat
8:2	1-603992	1	O-Ring	32	116-6781	5	Spacer
9	321-3	2	Screw-HH	33	116-7307-01	1	Stop-Cylinder
10	1-805004	2	Washer-Lock	34	116-8180	1	HYD Hp Hose ASM
11	3231-25	2	Bolt-CARR	35	112-2583	1	Pin-Locking
12	3231-4	1	Screw-CARR	36	116-6675	1	Hose-Hydraulic, LP
13	3296-59	1	Nut-Lock, NI	37	116-8151	1	Hose-Hydraulic
14	22-7810	4	Spacer	38	116-9308	1	Hose-Hydraulic
15	110-9361	4	Screw-PPH, Sems	39	116-6677	1	Hose-Hydraulic
16	104-8300	2	Nut-Flange, NI	40	116-6678	1	Hose-Hydraulic, Hp
17	3256-2	2	Washer-Flat	41	363-8552	3	Screw-TAP
18	322-5	2	Screw-HH				

● Not serviced separately

Manifold W/Check and Relief Valve Assembly No. 116-9549



Manifold W/Check and Relief Valve Assembly No. 116-9549 (continued)

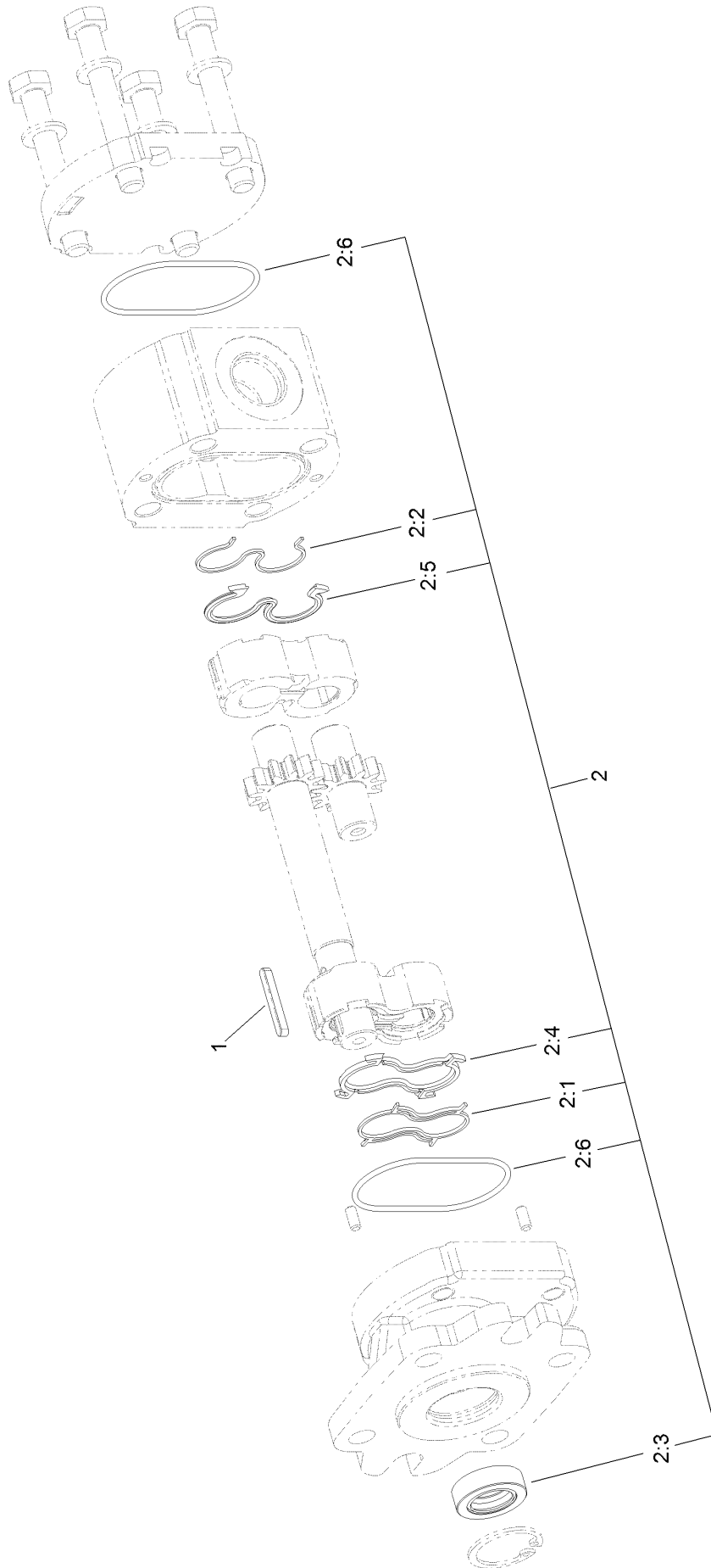
<i>Ref.</i>	<i>Part Number</i>	<i>Qty.</i>	<i>Description</i>	<i>Ref.</i>	<i>Part Number</i>	<i>Qty.</i>	<i>Description</i>
2	110-8906	1	Valve-Solenoid	6:1	1-603921	1	O-Ring
2:1	110-8908	1	Spool Valve Seal Kit	6:2	103-1020	1	O-Ring
2:2	110-2634	1	Nut-Coil	7	110-2634	1	Nut-Coil
3	119-4619	1	Coil-Solenoid	8	116-9716	1	Valve-Relief
4	116-9397	1	Valve-Relief, Poppet Style	8:1	116-9717	1	Seal Kit
4:1	116-9398	1	Relief Valve Seal Kit	9	116-9718	1	Valve-Check, P O
5	116-9396	1	Knob (1.5 Dia)	9:1	116-9719	1	Seal Kit
6	103-2156	4	Fitting-Straight				

Hydraulic Cylinder Assembly No. 116-6969 (continued)

<i>Ref.</i>	<i>Part Number</i>	<i>Qty.</i>	<i>Description</i>	<i>Ref.</i>	<i>Part Number</i>	<i>Qty.</i>	<i>Description</i>
1	116-7290	2	Pin-Clevis	3:3		1	Psp Seal ●
2	92-1298	2	Pin-Lynch	3:4		1	Bs Seal ●
3	127-3234	1	Seal Kit	3:5		1	Dust Seal ●
3:1		1	O-Ring ●	3:6		1	O-Ring ●
3:2		1	Backup Ring ●				

● Not serviced separately

Hydraulic Pump Assembly No. 116-9129

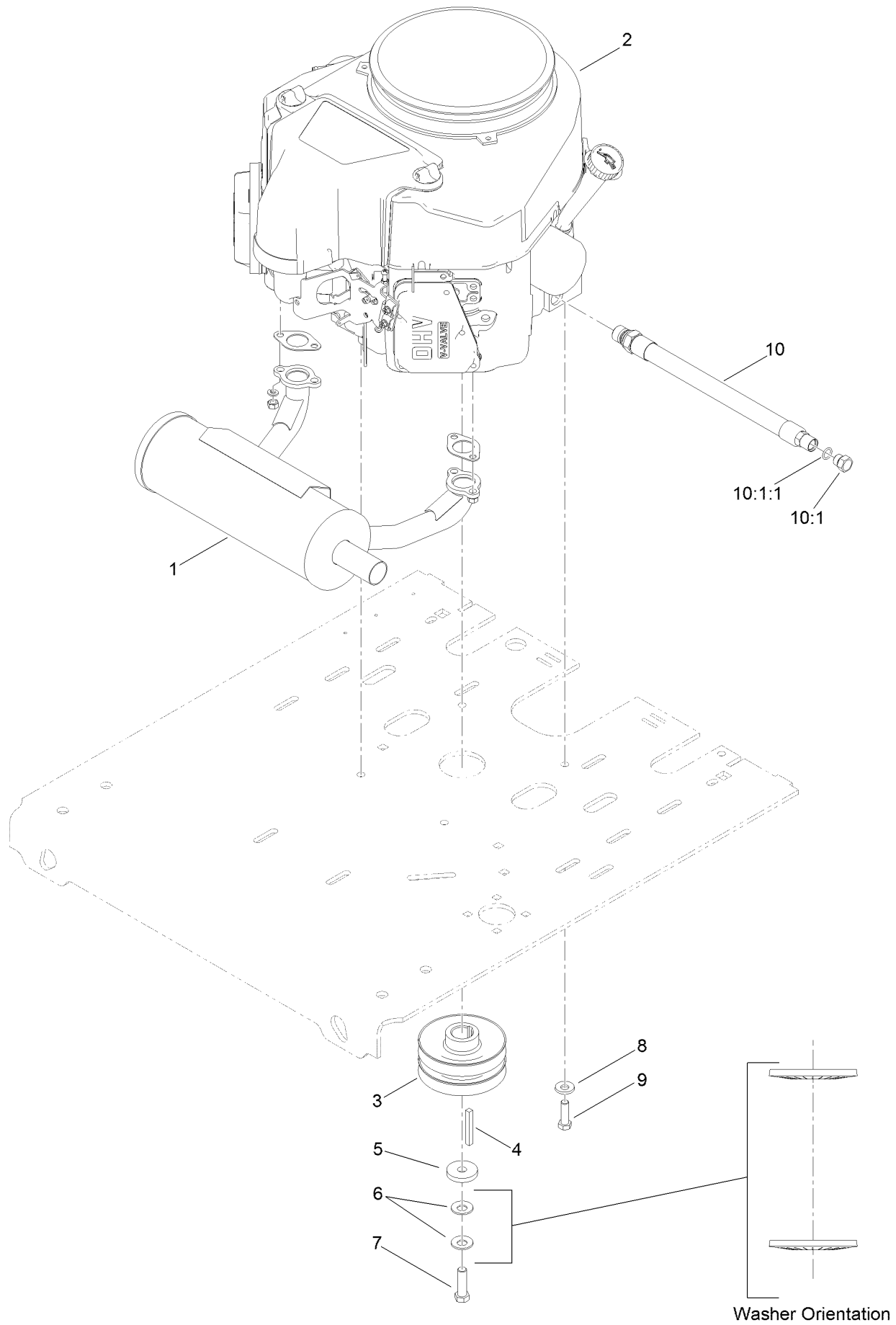


Hydraulic Pump Assembly No. 116-9129 (continued)

<i>Ref.</i>	<i>Part Number</i>	<i>Qty.</i>	<i>Description</i>	<i>Ref.</i>	<i>Part Number</i>	<i>Qty.</i>	<i>Description</i>
1	115-7855	1	Key-Square	2:3		1	Seal-Shaft ●
2	112-0199	1	Seal Kit	2:4		1	Seal-Upper ●
2:1		1	Seal-Anti Extrusion ●	2:5		1	Seal ●
2:2		1	Seal-Anti Extrusion ●	2:6		2	O-Ring ●

● Not serviced separately

Engine Assembly



Engine Assembly (continued)

<i>Ref.</i>	<i>Part Number</i>	<i>Qty.</i>	<i>Description</i>	<i>Ref.</i>	<i>Part Number</i>	<i>Qty.</i>	<i>Description</i>
1	116-3735	1	Muffler-Horizontal	7	109-9761	1	Screw-HH
2		1	Engine-Kaw Fs481V, Es ●■	8	98-5975	4	Washer-Belleville
3	116-9709	1	Pulley	9	323-7	4	Screw-HH
4	103-4177	1	Key	10	116-4924	1	Engine Oil Drain Hose ASM
5	1-543610	1	Washer-Clutch	10:1	353-508	1	Plug-HH
6	1-603610	2	Washer-Spring	10:1:1	237-42	1	O-Ring

● Not serviced separately

■ Obtain parts from www.kawpowerepc.com

Notes:

Notes:



Count on it.