



MODEL NO. 04353 -30001 &amp; UP

OPERATOR'S  
MANUAL
**GREENSMASTER® 3100**  
Traction Unit


The GREENSMASTER 3100 conforms to the American National Standards Institute's safety standards for riding mowers when 40 lbs. of ballast is added to rear wheel; thus Toro proudly displays the ANSI safety seal.

To assure maximum safety, optimum performance, and to gain knowledge of the product, it is essential that you or any other operator of the machine read and understand the contents of this manual before the engine is ever started. Pay particular attention to the SAFETY INSTRUCTIONS highlighted by this symbol -



The safety alert symbol means CAUTION, WARNING or DANGER - personal safety instruction. Failure to comply with the instruction may result in personal injury.



# FOREWORD

Your New GREENSMaster 3100 was developed to provide an efficient, trouble free and time-saving method of mowing high quality turf on the finest greens. The latest concepts in engineering, design and safety have been incorporated into this machine along with the highest quality parts and workmanship. Excellent service will be derived if proper operation and maintenance practices are followed.

We know, since you have purchased the industry leader in mowing excellence, that future performance and dependability are of prime importance. TORO also is concerned about future use of the machine and of safety to the user. Therefore, this manual should be read by you and those involved with the GREENSMaster 3100 to make sure that safety, proper set-up, operation and maintenance procedures are followed at all times. The major sections of the manual are:

- |                        |                     |                |
|------------------------|---------------------|----------------|
| 1. Safety Instructions | 3. Before Operating | 5. Maintenance |
| 2. Set-up Instructions | 4. Operation        |                |

Safety, mechanical and some general information in this manual is emphasized. DANGER, WARNING and CAUTION identify safety messages. Whenever the triangular safety symbol appears, it is followed by a safety message that must be read and understood. For more details concerning safety, read the safety instructions on pages 3,4 and 5. IMPORTANT identifies special mechanical information and NOTE identifies general information worthy of special attention.

## SERVICE AND REPAIR LITERATURE

The Greensmaster 3000/3000D Service Manual contains information for troubleshooting, testing and repair of the hydraulic system, brakes and cutting units for the Greensmaster 3100. To order this publication, contact your local authorized Toro Distributor. Ask for Form 90-743-ST, Greensmaster 3000/3000D Service Manual. A Vanguard V-Twin OHV Service and Repair Instruction Manual is also available. Ask for Briggs & Stratton Part No. 272144-9/88.

## OPTIONAL SPARK ARRESTER

In some areas there are local, state or federal regulations requiring that a spark arrester be used on the engine of this mower. If a spark arrester is required, order the following part from your local TORO Distributor:

- (1) 83-2240 Spark Arrester

These parts are approved by the United States Department of Agriculture and the United States Forest Service.

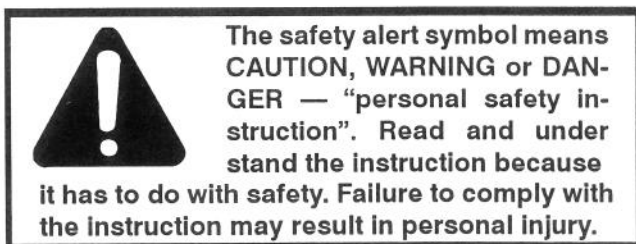
When mower is used or operated on any California forest, brush or grass covered land, a working order spark arrester must be attached to muffler. If not, the operator is violating state law, Section 442 Public Resources Code.

If help concerning set-up, operation, maintenance or safety is ever needed, contact the local Authorized TORO Distributor. In addition to genuine TORO replacement parts, the distributor also has optional equipment for the complete line of TORO turf care equipment. Keep your Toro all TORO. Buy genuine TORO parts and accessories.

# TABLE OF CONTENTS

	Page		Page
SAFETY INSTRUCTIONS .....	3-5	Inspection and Clean-up After Mowing .....	20
SAFETY AND INSTRUCTION DECALS .....	5-6	SERVICE INTERVAL CHART .....	21
LOOSE PARTS .....	7	LUBRICATION .....	22-23
SPECIFICATIONS .....	8	MAINTENANCE .....	24-30
SET UP INSTRUCTIONS .....	9-11	Changing Engine Oil and Filter .....	24
Remove, Activate and Charge Battery .....	9	Servicing Air Cleaner .....	24
Install Rear Wheel Assembly .....	9	Adjusting Throttle Control .....	25
Mount Seat .....	9	Adjusting Choke Control .....	25
Install Battery .....	10	Adjusting Carburetor and Speed Control ....	25
Mount Steering Wheel .....	10	Replacing Spark Plugs .....	26
Install Cutting Units .....	10	Fuel Filter Replacement .....	26
Rear Ballast .....	11	Changing Hydraulic Oil and Filter .....	26
BEFORE OPERATING .....	12-13	Checking Hydraulic Lines and Hoses .....	27
Check Engine Oil .....	12	Brake Adjustment .....	27
Filling Gas Tank .....	12	Rear Camshaft Adjustment .....	28
Check Hydraulic System .....	13	Adjusting Lift and Mow Pedal Height .....	28
Tire Pressure .....	13	Leveling Lift and Mow Pedals .....	29
CONTROLS .....	14-15	Adjusting Traction Pedal .....	29
PRE-OPERATING INSTRUCTIONS .....	16-18	Adjusting Cutting Unit Lift/Drop .....	29
Break-In Period .....	16	Adjusting Lift Cylinders .....	29
Starting Instructions .....	16	Seat Switch Maintenance .....	30
Check Interlock System Operation .....	16	Traction Switch Maintenance .....	30
Check Leak Detector Operation .....	17	Mow/Lift Switch Maintenance .....	30
Preparing Machine For Mowing .....	18	Battery Care .....	31
Training Period .....	18	ELECTRICAL SCHEMATIC .....	32
OPERATING INSTRUCTIONS .....	19-20	HYDRAULIC SCHEMATIC .....	33
Before Mowing .....	19	TROUBLE SHOOTING .....	34-38
Mowing Procedures .....	19	STORAGE .....	38
Leak Detector Operation .....	20	IDENTIFICATION AND ORDERING .....	38
Transport Operation .....	20	THE TORO PROMISE .....	Back Cover

## SAFETY INSTRUCTIONS



The Greensmaster 3100 was tested and certified by TORO for compliance with the B71.4 - 1984 specifications of the American National Standard Institute's safety standards for riding mowers when 40 lbs. of ballast is added to rear wheel. Hazard control and accident prevention are dependent upon the awareness, concern, and proper training of the personnel involved in the operation, transport, maintenance, and storage of the machine. Improper use or maintenance of the machine can result in injury or death. To reduce the potential for injury or death, comply with the following safety instructions.

**WARNING:** Engine exhaust contains carbon monoxide which is an odorless, deadly poison. Carbon monoxide is also known to the State of California to cause birth defects. Do not run engine indoors or in an enclosed area.

### BEFORE OPERATING

1. Read and understand the contents of this Operator's Manual before starting and operating the machine. Become familiar with all controls and know how to stop quickly. A replacement manual is available by sending complete Model and Serial Number to:

The Toro Company  
8111 Lyndale Avenue South  
Minneapolis, Minnesota 55420-1196

2. Never allow children to operate the machine or adults to operate it without proper instructions.

3. Become familiar with the controls and know how to stop the engine quickly.

# SAFETY INSTRUCTIONS

4. Keep all shields, safety devices and decals in place. If a shield, safety device or decal is defective or damaged, repair or replace it before operating the machine.
5. Always wear substantial shoes. Do not operate machine while wearing sandals, tennis shoes or sneakers. Do not wear loose fitting clothing because it could get caught in moving parts and possibly cause personal injury.
6. Wearing safety glasses, safety shoes, long pants and a helmet is advisable and required by some local ordinances and insurance regulations.
7. Make sure work area is clear of objects which might be picked up and thrown by the reels.
8. Do not carry passengers on the machine, and keep everyone, especially children and pets, away from the areas of operation.
9. Since gasoline is highly flammable, handle it carefully.
  - A. Use an approved gasoline container.
  - B. Do not remove cap from fuel tank when engine is hot or running. Remove cap slowly.
  - C. Do not smoke while handling gasoline.
  - D. Fill fuel tank outdoors and only to bottom of filler neck. **DO NOT OVERFILL.**
  - E. Wipe up any spilled gasoline.

## WHILE OPERATING

10. Do not run the engine in a confined area without adequate ventilation. Exhaust fumes are hazardous and could be deadly.
11. Sit on the seat when starting and operating the machine.
12. Check the safety interlock switches daily for proper operation; refer to page 16. If a switch should fail, replace the switch before operating the machine. **(After every two years, replace all three interlock switches in the safety system, regardless if they are working properly or not.)**
13. To start the engine:
  - A. Sit on the seat, depress lift pedal and release it to ensure cutting units are disengaged.
  - B. Verify that traction system is in neutral.
  - C. Verify that parking brake is set.
  - D. Proceed to start engine.
14. Using the machine demands attention, and to prevent loss of control:
  - A. Mow only in daylight or when there is good artificial light.
  - B. Watch for holes or other hidden hazards.
  - C. Do not drive close to sand traps, ditches, creeks or other hazards.
  - D. Reduce speed when making sharp turns. Avoid sudden stops and starts.
  - E. Before backing up, look to the rear to be sure no one is behind the machine.
  - F. Watch out for traffic when near or crossing roads. Always yield the right-of-way.
  - G. Apply the service brakes when going downhill to keep forward speed slow and to maintain control of the machine.
15. Keep hands, feet and clothing away from moving parts and the reel discharge area. The grass baskets must be in place during operation of the reels or thatchers for maximum safety. Shut the engine off before emptying the baskets.
16. Raise the cutting units when driving from one work area to another.
17. Do not touch engine, muffler or exhaust pipe while engine is running or soon after it is stopped because these areas could be hot enough to cause burns.
18. Stay clear of the rotating screen at side of the engine to prevent direct contact with body or clothing.
19. If a cutting unit strikes a solid object or vibrates abnormally, stop immediately, turn engine off, wait for all motion to stop and inspect for damage. A damaged reel or bedknife must be repaired or replaced before operation is continued.
20. Before getting off the seat:
  - A. Move shift selector to N neutral.
  - B. Depress the lift pedal to raise the cutting units, wait for the reels to stop spinning and release lift pedal.
  - C. Set the parking brake.
  - D. Stop the engine and remove key from ignition switch.
21. Traverse slopes carefully. Do not start or stop suddenly when traveling uphill or downhill.
22. Operator must be skilled and trained in how to drive on hillsides. Failure to use caution on slopes or hills may cause loss of control and vehicle to tip or roll possibly resulting in personal injury or death.
23. If engine stalls or loses headway and cannot make it to the top of a slope, do not turn machine around. Always back slowly straight down the slope.
24. **DON'T TAKE AN INJURY RISK!** When a person or pet appears unexpectedly in or near the mowing area, **STOP MOWING.** Careless operation, combined with terrain angles, ricochets, or improperly positioned guards can lead to thrown object injuries. Do not resume mowing until area is cleared.
25. Whenever machine is left unattended, make sure cutting units are fully raised and reels are not spinning, key is removed from ignition switch and parking brake is set.

# SAFETY INSTRUCTIONS

25. Whenever machine is left unattended, make sure cutting units are fully raised and reels are not spinning, key is removed from ignition switch and parking brake is set.

## MAINTENANCE

26. Before servicing or making adjustments to the machine, stop the engine, remove key from switch and pull wires off spark plugs to prevent accidental starting of the engine.

27. Be sure entire machine is in good operating condition. Keep all nuts, bolts, screws and hydraulic fittings tight.

28. Make sure all hydraulic line connectors are tight, and all hydraulic hoses and lines are in good condition before applying pressure to the system.

29. Keep body and hands away from pin hole leaks or nozzles that eject hydraulic fluid under high pressure. Use paper or cardboard, not hands, to search for leaks. Hydraulic fluid escaping under pressure can have sufficient force to penetrate skin and do serious damage. If fluid is ejected into the skin it must be surgically removed within a few hours by a doctor familiar with this form of injury or gangrene may result.

30. Before disconnecting or performing any work on the hydraulic system, all pressure in system must be relieved by stopping engine and lowering cutting units and attachments to the ground.

31. To reduce potential fire hazard, keep the engine area free of excessive grease, grass, leaves and accumulation of dirt.

32. If the engine must be running to perform a maintenance adjustment, keep hands, feet, clothing and any other parts of the body away from the cutting units, attachments and any moving parts, especially the screen at side of the engine. Keep everyone away.

33. Do not overspeed the engine by changing governor settings. To assure safety and accuracy, have an Authorized Toro Distributor check maximum engine speed with a tachometer. Maximum governed engine speed should be 2850 RPM.

34. Engine must be shut off before checking oil or adding oil to the crankcase.

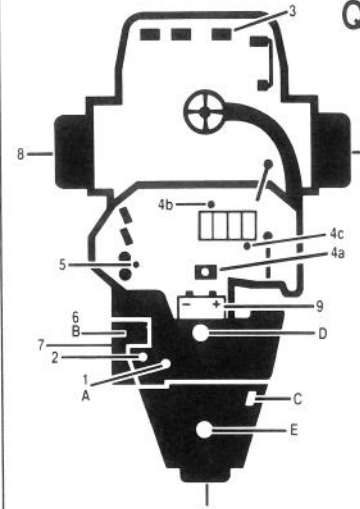
35. If major repairs are ever needed or if assistance is desired, contact an Authorized Toro Distributor.


36. At the time of manufacture, the GREENSMaster 3100 conformed to safety standards in effect for riding mowers. To make sure of optimum performance and continued safety certification of the machine, use genuine TORO replacement parts and accessories. Replacement parts and accessories made by other manufacturers could be dangerous, and such use could void the product warranty of The Toro Company.

## SAFETY AND INSTRUCTION DECALS

The following safety and instruction decals are installed on the traction unit. If any become damaged or illegible, replace them. Decal part numbers are listed below and in your Parts Catalog. Order replacements from your Authorized Toro Distributor.

### GREENSMaster 3100 QUICK REFERENCE AID





**SEE OPERATOR'S  
MANUAL**

**CHECK SERVICE (daily)**

<ul style="list-style-type: none"> <li>1. OIL LEVEL, ENGINE</li> <li>2. OIL LEVEL, HYDRAULIC TANK</li> <li>3. BRAKE FUNCTION</li> <li>4. INTERLOCK SYSTEM:                             <ul style="list-style-type: none"> <li>4a. SEAT INTERLOCK</li> <li>4b. MOW - LIFT INTERLOCK</li> <li>4c. TRACTION INTERLOCK</li> </ul> </li> </ul>	<ul style="list-style-type: none"> <li>5. LEAK DETECTOR ALARM</li> <li>6. AIR FILTER &amp; PRECLEANER</li> <li>7. ENGINE COOLING FINS</li> <li>8. TIRE PRESSURE (8 - 12 PSI FRONT, 8 - 15 PSI REAR) WHEEL NUT TORQUE (40 - 50 FT. - LB.)</li> <li>9. BATTERY</li> <li>10. LUBRICATION</li> </ul>
---	--



**FLUID SPECIFICATIONS CHANGE INTERVALS**

See operator's manual for initial change	FLUID TYPE	CAPACITY	CHANGE INTERVALS		FILTER PART NO.
			FLUID	FILTER	
A. ENGINE OIL	SAE 30 SG	* 1 3/4 qts	50 hrs.	100 hrs.	491056
B. AIR CLEANER				100 hrs.	394018
C. FUEL FILTER				1000 hrs.	83 - 1320
D. HYDRAULIC OIL	Mobil DTE 26	8 1/2 gal.	2000 hrs.	2000 hrs.	68 - 9880
E. FUEL TANK	Unleaded Gas	7 1/2 gal.			

\* including filter

**ON BACK OF SEAT  
(Part No. 83-1780)**

# SAFETY AND INSTRUCTION DECALS

DEPRESS LIFT PEDAL TO DISENGAGE   DEPRESS MOW PEDAL TO ENGAGE

BELOW MOW AND LIFT PEDALS  
(Part No. 51-0050)

**IMPORTANT**  
ENGINE MAXIMUM GOVERNED SPEED MUST NOT EXCEED 2850 R.P.M.  
71-3620

ON AIR CLEANER  
(Part No. 71-3620)

**WARNING**  
 **HOT**  


ON ENGINE  
(Part No. 63-8440)

 **HYDRAULIC OIL ONLY**  
USE MOBIL DTE 26 OR SHELL TELLUS 68

ON BACK OF SEAT  
(Part No. 58-6530)



**WARNING**  READ MANUAL

FAILURE TO FOLLOW THESE INSTRUCTIONS MAY RESULT IN INJURY.  
LOS OPERADORES DEBEN ESTAR MUY BIEN CAPACITADOS EN UNA OPERACION SEGURA.

- CHECK INTERLOCK SWITCHES DAILY, DO NOT DEFEAT. SEE INSTRUCTIONS IN MANUAL.
- APPLY BRAKES WHEN TRAVELING DOWN-HILL TO MAINTAIN VEHICLE CONTROL.
- KEEP BYSTANDERS AWAY FROM MACHINE.
- BEFORE LEAVING OPERATOR'S POSITION:
  - RAISE CUTTING UNITS FULLY AND INSURE REELS HAVE STOPPED SPINNING.
  - PLACE TRANSMISSION IN "NEUTRAL" POSITION.
  - SET PARKING BRAKE.
  - STOP ENGINE AND REMOVE KEY.

83-1790

ON STEERING COLUMN  
(Part No. 83-1790)

**2**  
  
**1**  
 **TRANSMISSION**  
83-1850

ON RIGHT HAND SHIELD  
(Part No. 83-1850)

**TO LOCK PARKING BRAKE**

1. DEPRESS BRAKE PEDAL.
2. DEPRESS LATCH AND RELEASE BRAKE PEDAL.

**TO RELEASE PARKING BRAKE,**  
DEPRESS BRAKE PEDAL.

PARKING BRAKE LATCH 



ABOVE PARKING BRAKE LATCH PEDAL  
(Part No. 27-2830)




**DANGER**

 NEVER PLACE HANDS OR FEET IN REEL AREA WHILE ENGINE IS RUNNING.

ON CUTTING UNIT PULL FRAMES  
(Part No. 62-5070)

BY GREASE FITTINGS ON REAR CASTOR PIVOT & ABOVE STEERING CYLINDER  
(Part No. 58-6520)

**IMPORTANT**


 THIS UNIT COMPLIES WITH ANSI B7 1.4-1984 WHEN EQUIPPED WITH REAR BALLAST PER OPERATOR'S MANUAL.


ON FRAME TUBE  
(Part No. 62-6280)



**INSTRUCTIONS**  
TO CHANGE STEERING ARM POSITION:


- PLACE TRANSMISSION IN NEUTRAL
- LOOSEN LOCKING LEVER
- ADJUST STEERING ARM POSITION
- TIGHTEN LOCKING LEVER 83-2050


ON STEERING ARM  
(Part No. 83-2050)




OPEN CHOKE CLOSED 

SLOW THROTTLE FAST 

OFF  ON 

START 

IGNITION 

FUSE  TEST  LIGHTS 

READ YOUR OPERATOR'S MANUAL FOR OPERATING AND SAFETY INSTRUCTIONS. TO GET A REPLACEMENT MANUAL SEND MODEL AND SERIAL NUMBERS TO: THE TORO CO. 8111 LYNDALE AVE. S. MPLS. MN 55420-1196

ON CONTROL PANEL  
(Part No. 83-0850)

# LOOSE PARTS

Description	Qty.	Use
Seat	1	Mount seat slides and seat cover to seat base
Hex Nut 5/16 – 18	4	
Seat Cover	1	
Wheel Assembly	1	Mount to castor fork
Steering Wheel	1	Mount steering wheel
Nut	1	
Cap	1	
Screw	1	
Capscrew 1/4 – 20 x 5/8 in. lg.	2	Secure battery cables to battery
Nut 1/4 – 20	2	
Gauge Bar	1	Use to set height-of-cut
Machine Screw #10 – 32 x 5/8" lg.	1	
Jam Nut #10	1	
Grass Basket	3	Mounts to pull frame
Ignition Keys	2	
Operator's Manual (Traction Unit)	2	Read before operating machine
Engine Manual	1	
Parts Catalog	1	
Set-Up Report Card	1	
Registration Card (Traction Unit)	1	Fill out and return to Toro
Registration Card (Cutting Unit)	1	

**Note:** Mounting fasteners for GREENSMaster 3100 cutting unit are included with the cutting units.

# SPECIFICATIONS

**Configuration:** Conforms to ANSI B71 .4 – 1984 specifications. Tricycle vehicle with front two wheels providing drive and rear wheel providing steering. Operator sits in center over No. 1 cutting unit with No. 2 & 3 cutting units in front of vehicle.

**Power:** 4-cycle gasoline engine, electric start, with output of 16 H.P. @ 3600 RPM. Maximum no load governed engine speed is 2850 RPM.

**Traction:** All hydraulic drive, consisting of multiple stack pump, valve, and two orbital gear motors to drive front wheels.

**Cutting Units:** All hydraulic drive consisting of three gear pump sections, three valve sections and three gear motors which drive the reels.

**Hydraulic Valve:** Five spool sections, first 3 spool sections control lowering, mowing and lift functions of the cutting units. Spools moved out, provide lowering and "MOW" operation, moved in provides "Lift" operation. Number 4 spool section controls traction functions, N (Neutral), 1 (Mow), and 2 (transport). Spool is controlled by direct linkage from hand shift lever with a positive detent feel in N, 1, and 2.

Number 5 spool section controls forward and reverse traction being infinitely variable in both forward and reverse from zero (spring loaded centering) to the maximum speeds.

**Tire Pressure :**

- 8 – 12 PSI – front
- 8 – 15 PSI – rear

**Brakes:** 6 in. drum-type mechanical with rack and pawl lock for parking.

**Hydraulic Filter:** 10 micron, cartridge type, 905 sq. in filter area for extra long life.

**Hydraulic Oil Reservoir:** 8.5 gal. capacity with internal baffle. Type fluid: Mobil DTE 26. Red dye is added at factory.

**Gas Tank:** 7.5 gal capacity.

**Fuel Filter:** Inline type.

**Fuel Pump:** Vacuum pulse type .

**Seat Adjustment:** 7 inches (forward and rearward).

**Wheel Bearings:**

Drive Wheels: Needle provided in wheel motors.

Rear Caster Wheel: Timken tapered roller.

**Electrical & Instrumentation:** Engine contains 15 amp alternator, circuit is fused at 20 amps. Instruments include ammeter and hour meter. Accessory terminal available at leak detector test switch if attachment of headlights is desired.

**Battery:** 12 Volt, Lead Acid, 32 Amp. Hour . Size: Length – 7.25 in. Width – 4.88 in. Height – 6.00 in.

**General Specifications:**

Width of Cut:	59 inches
Wheel Tread:	49–1/2 inches
Wheel Base:	46–7/8 inches
Overall Length:	90 inches
Overall Width:	69–3/4 inches
Overall Height:	48–1/2 inches
Net Weight (Wet):	1000 lb.
Shipping Weight (In carton):	1151 lb.

**Speeds:**

- 1st – 3.8 mph Approx.
- 2nd – 7.4 mph Approx.
- Rev. – 1.9 mph Approx.

Reels: 1975 RPM Approx.

**Clip:**

- 0.18 in. Approx. (11 Blade Cutting Unit)
- 0.25 in. Approx. (8 Blade Cutting Unit)
- 0.40 in. Approx. (5 Blade Cutting Unit)

**Accessories:**


- 5 Blade, 4 Bolt Cutting Unit, Model 04405
- 8 Blade, 4 Bolt Cutting Unit, Model 04408
- 11 Blade, 4 Bolt Cutting Unit, Model 04406
- 8 Blade, SPA Cutting Unit, Model 04468
- 11 Blade, SPA Cutting Unit, Model 04450
- 8 Blade, SPA Cutting Unit w/ Groomer, Model 04460
- 11 Blade, SPA Cutting Unit w/ Groomer, Model 04465
- Thatching Reels, Model No. 04416.
- Spiker Attachment, Model No. 04420.
- Variable Traction Speed Kit, Model No. 04422
- Individual Reel Shut Off Kit, Part No. 28–2150
- Basket Reinforcement Kit, Part No. 26–0900.
- Backapping Kit, Part No. 63–4960.

Specifications and design subject to change without notice.

# SET UP INSTRUCTIONS

## REMOVE, ACTIVATE AND CHARGE BATTERY

1. Remove wing nuts, washers, and battery clamp and lift out battery.

	<b>WARNING</b>
<p>Electrolyte gases are explosive and can cause serious injury to eyes, lungs and skin. Wear safety goggles and rubber gloves when working with electrolyte or battery. Charge the battery in a well ventilated place so gasses produced while charging can dissipate. Since the gases are explosive, keep open flames and electrical spark away from the battery; do not smoke. Nausea may result if the gases are inhaled. Unplug charger from electrical outlet before connecting to or disconnecting charger leads from battery posts.</p>	

2. Remove filler caps from battery and slowly fill each cell until electrolyte is up to fill line.
3. Replace filler caps and connect a battery charger to the battery posts. Charge the battery at a rate of 3 to 4 amperes for 4 to 8 hours.
4. When battery is charged, disconnect charger from electrical outlet and battery posts, and allow battery to sit for 5–10 minutes.
5. Remove filler caps. Slowly add electrolyte to each cell until level is up to fill line. Install filler caps.

**IMPORTANT:** Do not overfill battery. Electrolyte will overflow onto other parts of the machine and severe corrosion and deterioration will result.

## INSTALL REAR WHEEL ASSEMBLY

(Fig. 1 & 2)

1. Remove bolt and locknut from the wheel mount holes in the rear castor fork.
2. Install the rear wheel in the castor fork. Insert the bolt into one of the mounting holes, install a spacer and slide the bolt through the wheel.
3. Install another spacer onto the bolt and route the bolt through the remaining castor fork mounting hole.

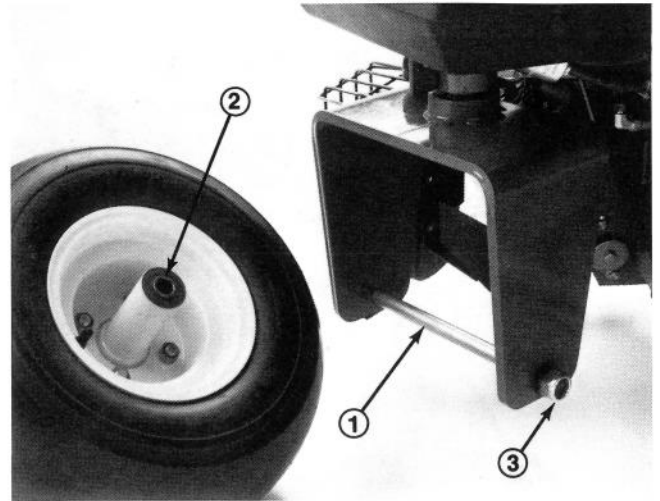


Figure 1

1. Bolt 2. Spacer 3. Locknut

4. Position the bend of the bolt head under the bottom edge of the castor fork. Install and tighten the locknut to secure the wheel to the castor fork.



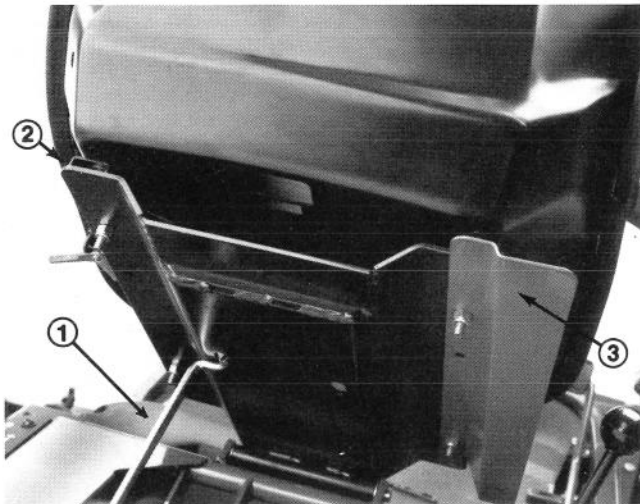
Figure 2

## MOUNT SEAT (Fig. 3)

**Note:** Mount seat slides in front set of mounting holes to gain an additional 3" in forward adjustment, or rear mounting holes for an additional 3" in rearward adjustment.

1. Support seat base in up position with the seat support rod.
2. Remove lock nuts securing seat slides to plywood shipping base. Discard lock nuts.
3. Secure seat, seat panel and seat slides to seat support with 5/16–18 lock nuts supplied in loose parts. Seat cover to be mounted on right side, positioned as shown in fig. 3.

# SET UP INSTRUCTIONS



**Figure 3**

1. Seat support    2. Seat slide    3. Seat panel

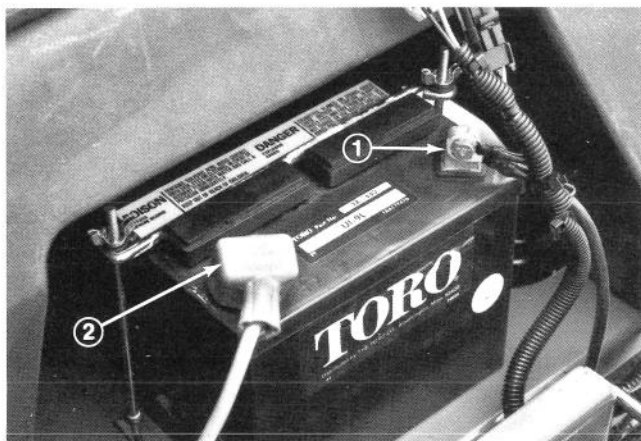
## INSTALL BATTERY (Fig. 4)

1. Mount battery with battery terminals toward the front of Greensmaster 3100.
2. Connect the positive battery cable (red) from the starter solenoid to the positive post (+) of the battery. Secure with wrench and coat terminal with petroleum jelly. Make sure the cable will clear seat, in rear most position, which could cause wear or damage to the cable.



### WARNING

Connecting cables to the wrong post could result in personal injury and/or damage to the electrical system. Make sure battery or cables do not interfere or rub on any moving or hot parts.



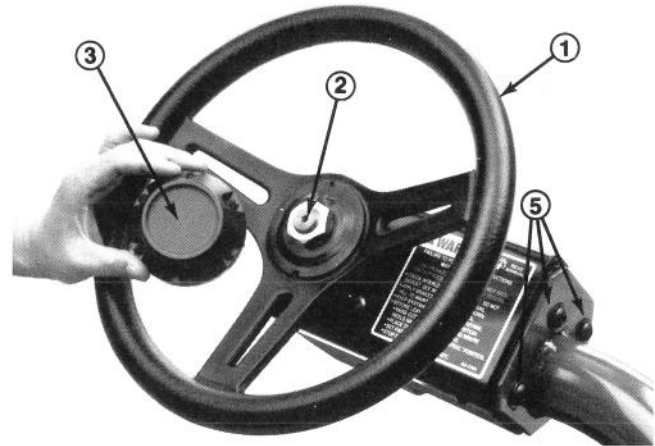
**Figure 4**

1. Negative (-)    2. Positive (+)

3. Connect the two black ground cables, one connected to engine base, the other to the machine frame, to the negative (-) post of the battery. Secure with wrench and coat terminal with petroleum jelly.
4. Install battery clamp, washers, and secure with wing nuts.
5. Place terminal cover over positive (+) battery post.

## INSTALL STEERING WHEEL (Fig. 5)

1. Slide steering wheel onto steering shaft.



**Figure 5**

1. Steering Wheel    4. Screw  
2. Jam Nut    5. Mounting screws  
3. Cap

2. Secure steering wheel to shaft with jam nut and tighten it to 35 ft-lb.
3. Install cap to steering wheel with screw.

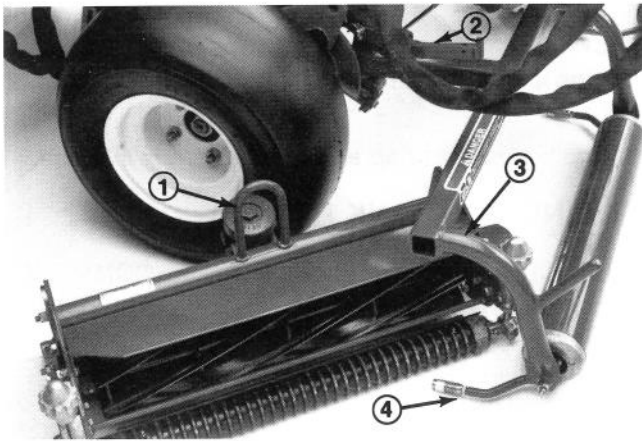
**NOTE:** Steering wheel may be adjusted fore and aft for operator comfort by loosening (3) mounting screws, pivoting steering wheel to desired operating position and re-tightening screws.

## INSTALL CUTTING UNITS (Fig. 6-10)

**Note:** When sharpening, setting height-of-cut, or performing other maintenance procedures on the cutting units, store the cutting unit reel motors in support tubes on front of frame to prevent damage to the hoses.

1. Remove cutting units from cartons. Assemble and adjust per the Operator's Manual for the cutting units. Use the Height Gauge bar from Loose Parts Kit to adjust height of cut.
2. Slide the cutting units under the pull frames and position the hoop on the top of cutting units over the lift arms (Fig. 6).

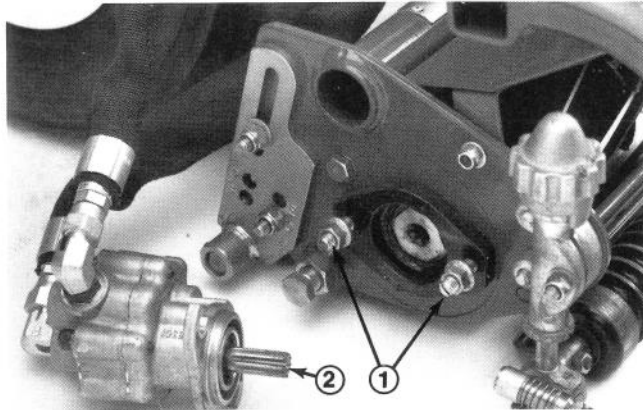
# SET UP INSTRUCTIONS



**Figure 6**

- 1. Hoop
- 2. Lift arm
- 3. Pull frame
- 4. Pull arm

3. Assemble the mount nuts for the reel drive motor to each cutting unit. Leave approximately 1/2 in. of threads exposed on each mount stud (Fig. 7).



**Figure 7**

- 1. Motor mount nuts
- 2. Coat with grease

4. Remove the protective covers from the cutting units and the reel drive motor shafts. Coat the spline shaft of the motor with clean grease and install the motor by rotating the motor clockwise so the motor flanges clear the studs. Rotate the motor counter-clockwise until the flanges are encircling the studs and tighten the mounting nuts (Fig. 7).

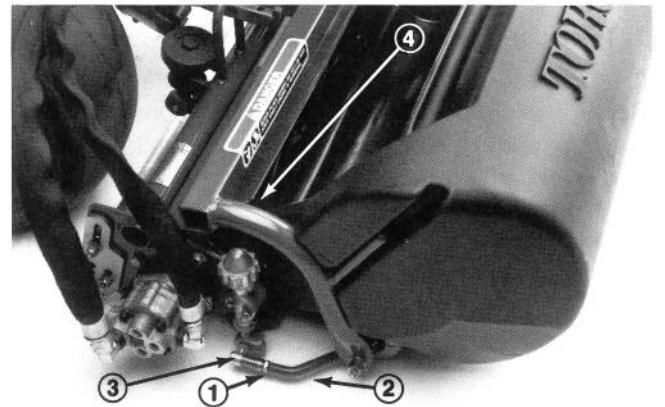
**Note:** Retain the protective covers for the cutting units. Install them whenever the reel drive motors are removed to protect the cutting unit bearings from contamination.

5. Slide the sleeve back on the ball joint and rotate the pull arm down so the socket fits over the ball stud. Release the sleeve so it slides over the stud and locks the assemblies together (Fig. 10).

6. Mount the baskets on the pull frames, loosen the jam nuts on the pull arms and adjust the ball sockets until there is 1/4 in. to 1/2 in. clearance between the lip of the basket and the reel blades (Fig. 8).

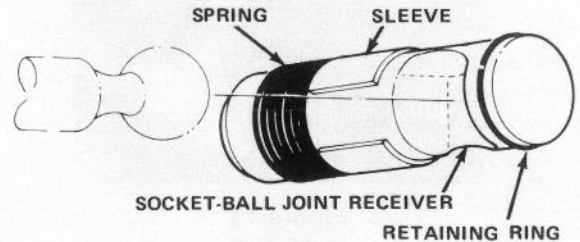
**Note:** This prevents the basket from tipping the cutting unit forward causing the hoop to come off the lift arm while in the mowing operation.

Be sure the basket lips are equidistant from the reel blades all across each reel. If the basket is too close to the reel, it is possible for the reel to contact the basket when the cutting unit is raised off the ground.



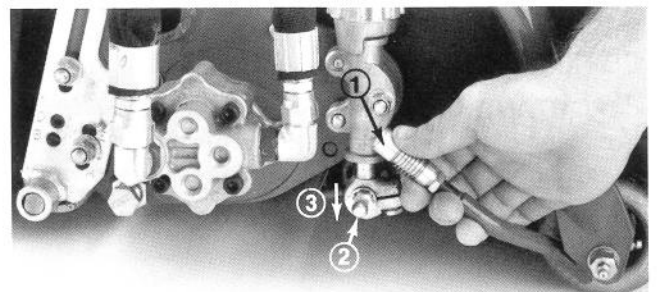
**Figure 8**

- 1. Jam nut
- 2. Pull arm
- 3. Ball joint—adjust for clearance
- 4. 1/4–1/2 in. clearance



**Figure 9**

7. Align the sockets in the ball joints so the open side of the socket is centered towards the ball stud (Fig. 9). Tighten the jam nuts to secure the sockets in position (Fig. 8).



**Figure 10**

- 1. Slide back to mount
- 2. Ball stud
- 3. Swing down

## REAR BALLAST

This unit complies with the ANSI B71.4-1984 Standard when 40 lbs. of calcium chloride ballast is added to rear wheel.

**IMPORTANT:** If a puncture occurs in a tire with calcium chloride, remove unit from turf area as quickly as possible. To prevent possible damage to turf, immediately soak affected area with water.

# BEFORE OPERATING

## CHECK ENGINE OIL (Fig. 11)

The engine is shipped with 1–3/4 quarts (w/ filter) of oil in the crankcase; however, level of oil must be checked before and after engine is first started.

1. Position machine on a level surface.
2. Unscrew dipstick and wipe it with a clean rag. Screw dipstick into the tube and make sure it is seated fully. Unscrew dipstick out of tube and check level of oil. If oil level is low, remove filler cap from valve cover (next to dipstick) and add enough oil to raise level to FULL mark on dipstick.

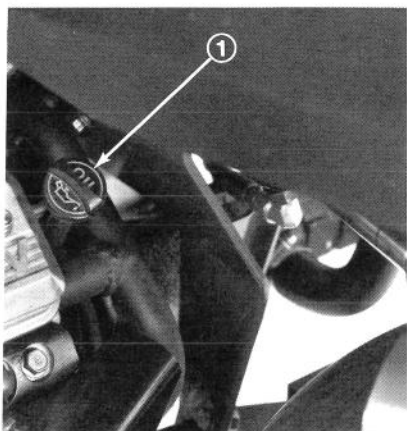


Figure 11  
1. Dipstick

3. The engine uses any high-quality detergent oil having the American Petroleum Institute -API- "service classification" SC, SD, SE, SF or SG. Recommended viscosity (weight) is SAE 30.
4. Pour oil into opening in valve cover until the oil level is up to the "FULL" mark on the dipstick. Add the oil slowly and check the level often during this process. DO NOT OVERFILL.

**IMPORTANT: Check level of oil every 8 operating hours or daily. Initially, change oil after the first 8 hours of operation; thereafter, under normal condi-**

**tions, change oil every 50 hours and filter every 100 hours. However, change oil more frequently when engine is operated in extremely dusty or dirty conditions.**

5. Install the filler cap and dipstick firmly in place.

## FILLING GAS TANK (Fig. 12)

THE TORO COMPANY STRONGLY RECOMMENDS THE USE OF CLEAN, FRESH **UNLEADED** REGULAR GASOLINE IN TORO GASOLINE POWERED PRODUCTS. UNLEADED GASOLINE BURNS CLEANER, EXTENDS ENGINE LIFE, AND PROMOTES GOOD STARTING BY REDUCING THE BUILD-UP OF COMBUSTION CHAMBER DEPOSITS. LEADED GASOLINE CAN BE USED IF UNLEADED IS NOT AVAILABLE.

**NOTE: NEVER USE METHANOL, GASOLINE CONTAINING METHANOL, GASOLINE CONTAINING MORE THAN 10% ETHANOL, GASOLINE ADDITIVES, PREMIUM GASOLINE, OR WHITE GAS BECAUSE ENGINE FUEL SYSTEM DAMAGE COULD RESULT.**



Figure 12  
1. Fuel tank cap

1. Fill the gasoline tank to bottom of filler neck. DO NOT OVERFILL. Install the cap and tighten securely in place.



## DANGER

Because gasoline is flammable, caution must be used when storing or handling it. Do not fill fuel tank while engine is running, hot or when machine is in an enclosed area. Vapors may build up and be ignited by a spark or flame source many feet away. DO NOT SMOKE while filling the fuel tank to prevent the possibility of an explosion. Always fill fuel tank outside and wipe up any spilled gasoline before starting engine. Use a funnel or spout to prevent spilling gasoline before starting engine and fill tank to about

1 inch from top of tank, not filler neck. Store gasoline in a clean safety-approved container and keep the cap in place on the container. Keep gasoline in a cool, well-ventilated place; never in an enclosed area such as a hot storage shed. To assure volatility, do not buy more than a 30 day supply of gasoline. Gasoline is a fuel for internal combustion engines; therefore, do not use it for any other purpose. Since many children like the smell of gas, keep it out of their reach because the fumes are explosive and dangerous to inhale.

# BEFORE OPERATING

## CHECK HYDRAULIC SYSTEM (Fig. 13)

The hydraulic system is designed to operate on Mobil DTE 26 or equivalent anti-wear hydraulic fluid. The machines large hydraulic oil tank and smaller auxiliary oil tank are filled at the factory with approximately 8.5 gallons of fluid. However, check level of hydraulic fluid before engine is first started and daily thereafter.

### Hydraulic Oil (Recommended brands):

Mobil	DTE 26
Shell	Tellus 68
Amoco	Rykon Oil #68
Conoco	Super Hydraulic Oil 68
Exxon	Nuto 68
Kendall	Kenoil R&O AW 68
Pennzoil	Penreco 68
Phillips	Magnus A 68
Standard	Energol HLP 68
Sun	Sunvis 831 WR
Union	Unax AW 68
Chevron	AW Hydraulic Oil 68

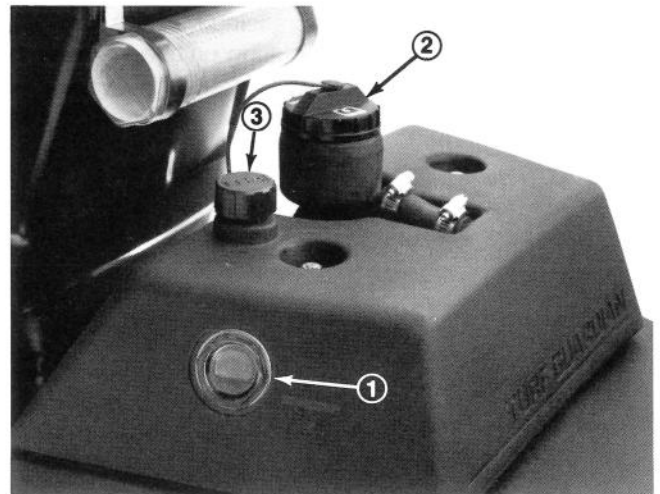
**Note:** All are interchangeable. Mobile SAE 10W30 or 10W40 may be substituted if the above oils are not available.

**IMPORTANT: Use only hydraulic oils specified. Other fluids could cause system damage.**

**Note:** A red dye additive for the hydraulic system oil is available in 2/3 oz. bottles. One bottle is sufficient for 4-6 gal. of hydraulic oil. Order Part No. 44-2500 from your Authorized Toro Distributor.

1. Park machine on a level surface. Make sure machine has cooled down so oil is cold. Check level of oil by viewing sight gauge on side of auxiliary oil tank. If oil level is up to FULL mark next to gauge, oil level is sufficient.

2. If oil level is below FULL mark on auxiliary tank, remove cap from hydraulic oil tank and slowly fill with Mobil DTE 26 or equivalent hydraulic oil until level is up to mark next to sight gauge. Do not mix oils. Install cap.



**Figure 13**

1. Sight gauge
2. Hydraulic tank cap
3. Auxiliary tank breather

**IMPORTANT:** To prevent system contamination, clean top of hydraulic oil containers before puncturing. Assure pour spout and funnel are clean.

**Note:** Make a close visual inspection of the hydraulic components. Inspect for leaks, loose fasteners, missing parts, improperly routed lines, etc. Make any corrections necessary.

## TIRE PRESSURE

The tires are over-inflated at the factory for shipping purposes. Reduce the pressure to the proper levels before starting the unit.

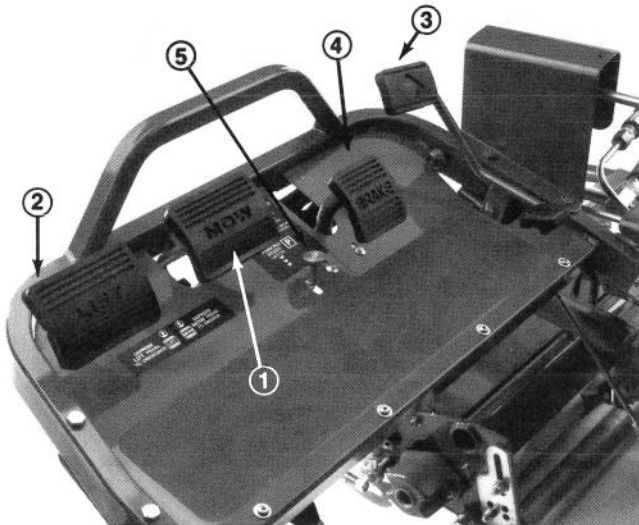
Vary the tire pressure for the drive wheels, depending upon your turf conditions, from a minimum of 8 P.S.I. to a maximum of 12 P.S.I.

Vary the tire pressure for the rear wheel from a minimum of 8 P.S.I. to a maximum of 15 P.S.I.

Traction on the Greensmaster 3100 can be improved with lower tire pressure.

# CONTROLS

**MOW PEDAL** (Fig. 14) – Depressing Mow Pedal FULLY during operation lowers the cutting units and starts the reels. The Mow Pedal will stay depressed due to detent action of the valve bank during operation. Operator need not hold pedal down.



**Figure 14**

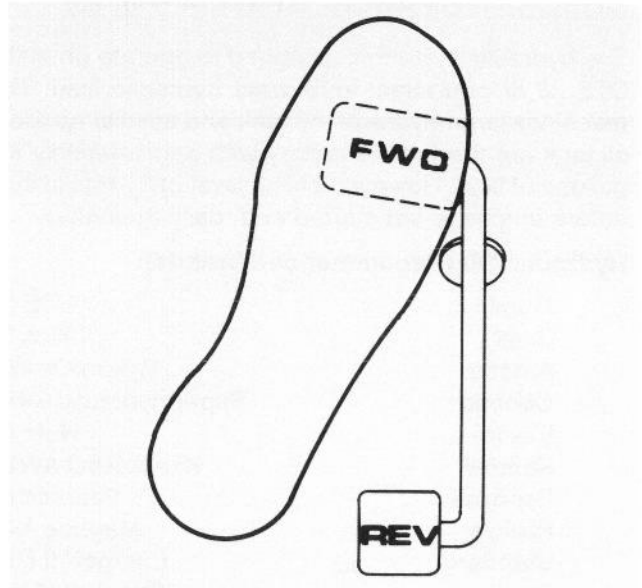
- |                   |                         |
|-------------------|-------------------------|
| 1. Mow pedal      | 4. Brake pedal          |
| 2. Lift pedal     | 5. Parking brake button |
| 3. Traction pedal |                         |

**BRAKE PEDAL** (Fig.14) –The Brake Pedal actuates an automotive drum-type mechanical brake located at each traction wheel.

**LIFT PEDAL** (Fig. 14) – Depressing the Lift Pedal during operation stops the reels from turning and lifts the cutting units. Lift Pedal must be FULLY depressed until cutting units are fully raised and have stopped rotation.

**PARKING BRAKE BUTTON** (Fig. 14) – Depressing the Brake Pedal to actuate the brake assembly, then depressing the small button indicated will keep the brakes actuated for parking. Disengage by depressing the brake pedal. Form the habit of locking the parking brake before you leave the machine.

**TRACTION PEDAL** (Fig. 14) –Traction pedal has two functions; one to make the machine move forward, the other to move it backward. Depress top of pedal to move forward and bottom of pedal to move backward. For operator comfort, do not rest heel of foot on reverse, when operating forward (Fig. 15).

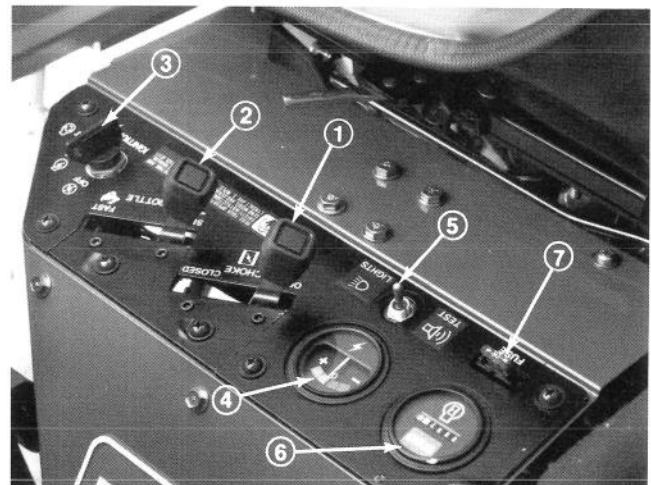


**Figure 15**

**THROTTLE CONTROL** (Fig. 16) – The Throttle Control gives the operator the ability to control the speed of the engine. Moving the Throttle Control toward the “FAST” position increases engine RPM; moving Throttle Control toward “SLOW” will decrease engine RPM.

**Note:** The engine cannot be stopped by the use of the throttle control.

**CHOKE** (Fig.16) – To start a cold engine, close carburetor choke by moving choke control forward to the “CLOSED” position. After engine starts, regulate choke to keep engine running smoothly. As soon as possible, open the choke by pulling it rearward to the “OPEN” position. A warm engine requires little or no choking.



**Figure 16**

- |                     |                                      |
|---------------------|--------------------------------------|
| 1. Choke control    | 5. Leak detector test / light switch |
| 2. Throttle control | 6. Hour meter                        |
| 3. Ignition switch  | 7. Fuse (20 amp)                     |
| 4. Ammeter          |                                      |

# CONTROLS

**IGNITION SWITCH** (Fig. 16) – Insert key into switch, turn clockwise as far as possible to “START” position to start engine. Release key as soon as engine starts; key will move to “ON” position. Turn key counter-clockwise to “OFF” position to stop engine.

**AMMETER** (Fig. 16) – The ammeter indicates the rate of battery charge and discharge.

**Note:** During normal operation there will be little or no movement of the Ammeter needle.

**FUSE** (Fig.16) – Fuse is part of the electrical circuit. It contains a 20 Amp fuse.

**LEAK DETECTOR TEST / LIGHT SWITCH** (Fig.16) – From middle operating position, move switch rearward to check operation of leak detector alarm and time delay. Move switch forward to operate optional headlights.

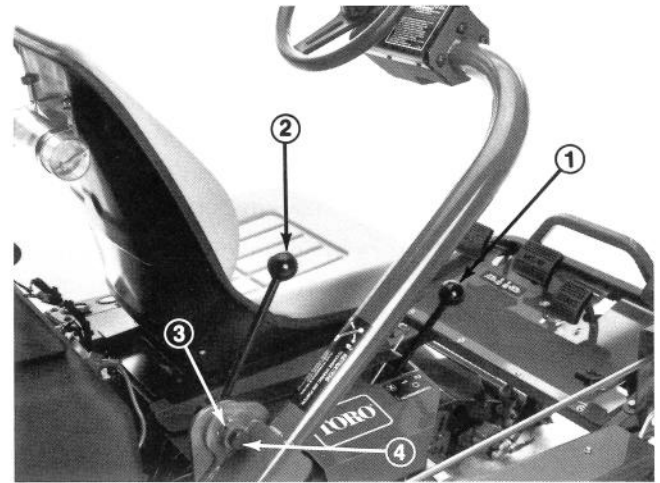
**HOUR METER** (Fig.16) – Indicates the total hours of machine operation. The hour meter starts to function whenever the key switch is rotated to “ON”.

**SEAT ADJUSTING HANDLE** (Fig.16) – Lever on left side of seat allows four inch fore and aft adjustment.

**SHIFT SELECTOR** (Fig. 17) – Located on the top of the right hand panel. Provides two (2) traction selections, plus a “NEUTRAL” position. It is permissible to shift from one selection to another while the Greensmaster 3100 is in motion. No damage will result.

1. Neutral – Used for starting Greensmaster 3100 engine.
2. No. 1 Position – Used for greens mowing operation.
3. No. 2 Position – Used for transport operation.

**Note:** If Greensmaster 3100 is operated in reverse with cutting units down the cutting units will be pulled off the lift arms.



**Figure 17**

1. Shift selector
2. Steering arm locking lever
3. Set screw
4. Adjusting bolt

**STEERING ARM LOCKING LEVER** (Fig.17) – Rotate lever rearward to loosen adjustment, raise or lower steering arm for operator comfort, then, forward to tighten adjustment.

**To adjust travel of locking lever:**

- A. Rotate lever rearward to loosen adjustment and move steering arm to lowest position.
- B. Loosen lever set screw.
- C. Rotate adjusting bolt (left hand thread) counter-clockwise to tighten or clockwise to loosen adjustment.
- D. Tighten set screw to lock adjustment.

# PRE-OPERATING INSTRUCTIONS

## BREAK-IN PERIOD

1. Refer to the Engine Manual supplied with the Greensmaster 3100 for oil change and maintenance procedures recommended during break-in period.
2. Only 8 hours of mowing operation is required for the Greensmaster 3100 break-in period.
3. Since the first hours of operation are critical to future dependability of the machine, monitor its functions and performance closely so that minor difficulties, which could lead to major problems, are noted and can be corrected. Inspect the Greensmaster 3100 frequently during break-in for signs of oil leakage, loose fasteners, or any other malfunction.
4. To assure optimum performance of the brake system, burnish (break-in) the brakes before use. To burnish brakes: Firmly apply brakes and drive machine at mowing speed until brakes are hot, as indicated by their smell. An adjustment to the brakes may be required after break-in, refer to Brake Adjustment, page 28.

## STARTING INSTRUCTIONS

**Note:** Inspect areas beneath mowers to be certain they are clear of debris.

1. Sit on seat, place shift selector in "Neutral", check mow and lift pedals to be sure they are level with one another.
2. Remove foot from traction pedal and make sure pedal is in neutral position.
3. Move choke lever to ON position – when starting a cold engine – and throttle lever to half throttle position.
4. Insert and rotate ignition key clockwise until the engine starts. After engine starts, regulate choke to keep engine running smoothly. As soon as possible, open the choke by pulling it rearward to the "OFF" position. A warm engine requires little or no choking.
5. Check the machine out with the following procedures after the engine has started:
  - A. Move throttle control to "FAST" position and momentarily engage reels by depressing the mow pedal (cutting units should drop and all reels should turn).
  - B. Operate lift pedal; cutting reels should stop and cutting units raise to full transport position.

**Note:** Stop the engine. Check the lip of each basket to be sure it is not in contact with the reel during operation. Re-adjust the pull arms if contact is noted; refer to Installing Cutting Units, page 10.

- C. Depress the brake pedal to keep the Greensmaster 3100 from moving and operate the traction pedal through the forward and reverse positions.


D. Continue the above procedure for 1–2 minutes; neutralize the traction lever and mow and lift pedals, lock the parking brake, and turn the engine off. Check for oil leaks; if oil leaks appear, check for tightness of hydraulic fittings. If oil leaks continue to appear, contact your local TORO Distributor for assistance and, if necessary, replacement parts.

**IMPORTANT:** Motor or wheel seals may show some trace of oil for a short period of time until the Greensmaster 3100 break-in period has transpired.

**Note:** Since the Greensmaster 3100 is brand-new and the bearings and reels are tight, it is necessary to use the "FAST" throttle control position for this check. A fast throttle setting may not be required after the break-in period.

## CHECK INTERLOCK SYSTEM OPERATION (Fig. 18)

The purpose of the interlock system is to prevent the engine from cranking or starting unless the operator is on the seat, the shift selector is in NEUTRAL and the cutting units are DISENGAGED. In addition, the engine will stop when the cutting units are engaged or if shift selector is in the No.1 or No.2 position with operator off the seat. Perform the following system checks daily to be sure the interlock system is operating correctly.

CAUTION

**THE INTERLOCK SWITCHES ARE FOR THE OPERATOR'S PROTECTION, SO DO NOT DISCONNECT THEM. CHECK OPERATION OF THE SWITCHES DAILY TO ASSURE INTERLOCK SYSTEM IS OPERATING. IF A SWITCH IS DEFECTIVE, REPLACE IT BEFORE OPERATING. REGARDLESS IF SWITCHES ARE OPERATING PROPERLY OR NOT, REPLACE THEM EVERY TWO YEARS TO ASSURE MAXIMUM SAFETY. DO NOT RELY ENTIRELY ON SAFETY SWITCHES – USE COMMON SENSE!**

1. Engage parking brake, move shift selector to neutral, remove foot from traction pedal and make sure pedal is in neutral position and depress lift pedal and release it. Lift off seat and try to start engine. The engine should not crank, which means the interlock system is operating correctly. If the engine did not crank, proceed to step 2. If engine cranked, contact your local TORO Distributor for assistance.

# PRE-OPERATING INSTRUCTIONS

2. Sit on the seat, engage parking brake and depress lift pedal fully and release it. Move shift selector to #1 and #2 positions while trying to start the engine in each position. The engine should not crank, which means traction switch on valve bank is operating correctly. If engine did not crank, proceed to step 3. If engine cranked, contact your local TORO Distributor for assistance.

3. Sit on the seat, engage parking brake, depress lift pedal and release it. Move shift selector to Neutral and try to start the engine. The engine should start and continue to run, which means traction switch and mow/lift switch on valve bank are operating correctly – proceed to step 4. If engine cranked but did not start, problem is not in the interlock system. If engine did not crank, contact your local TORO Distributor for assistance.

4. Sit on the seat, engage parking brake and move shift selector to neutral. Depress mow pedal and try to start engine. The engine should not crank, which means the mow-lift switch is operating correctly. If the engine did not crank, proceed to step 5. If engine cranked, contact your local TORO Distributor for assistance.

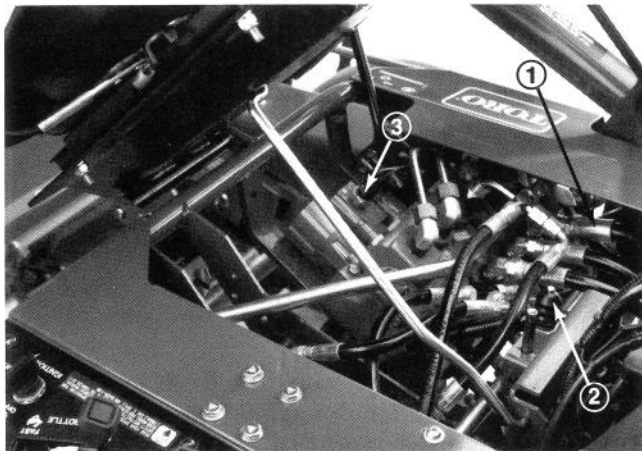


Figure 18

- 1. Traction switch
- 2. Seat switch
- 3. Mow/lift switch

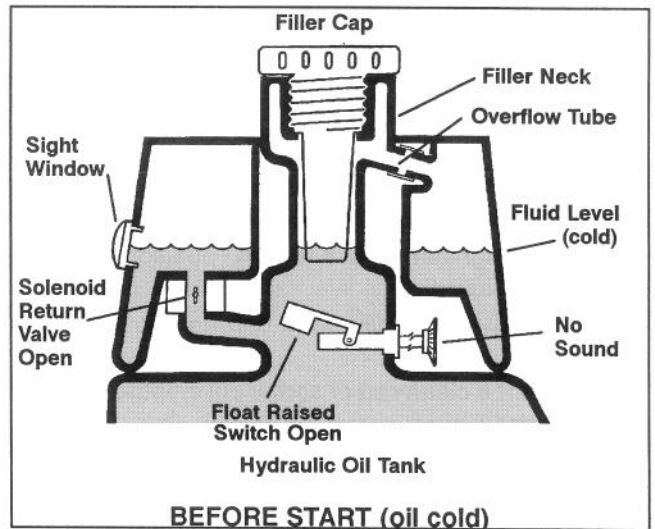
5. Sit on the seat, move shift selector to Neutral, depress lift pedal and release it. Start engine and drive to an open area that is free of debris and foreign objects. Keep all people, especially children away from front of machine and out of the area of operation. Move shift selector to Neutral, make sure mow pedal is disengaged, set throttle control at half speed and engage parking brake. Hold steering wheel, brace feet on foot deck and brake pedal, and move shift selector to #1 position. Carefully lift off the seat: the engine should stop. If engine stops, interlock system is operating correctly.

6. Repeat above check with shift selector in #2 position. If engine does not stop, stop the engine and find the problem before operating machine again. If assistance required, contact your local TORO Distributor.

## CHECK LEAK DETECTOR OPERATION

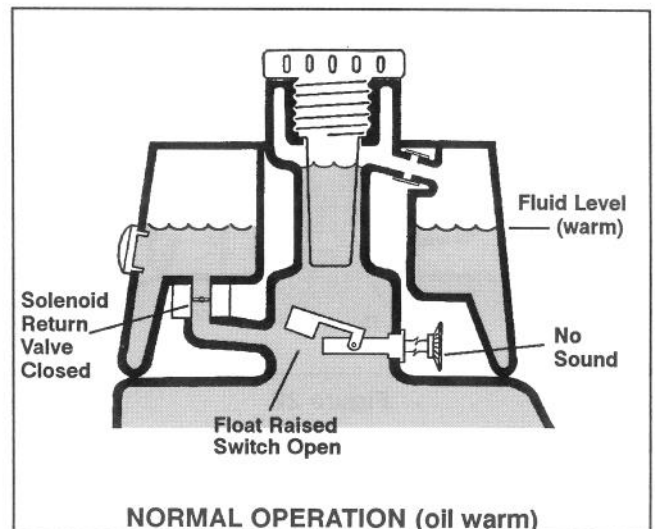
(Fig. 19–21)

The TURF GUARDIAN™ leak detector system is designed to assist in early detection of hydraulic oil system leaks. If the oil level, in the main hydraulic reservoir, is lowered by 4 to 6 ounces, the float switch in tank will close. After a 1 second delay the alarm will sound, alerting the operator. Expansion of oil, due to normal heating during machine operation, will cause oil to transfer into the auxiliary oil reservoir. The oil is allowed to return to the main tank when the ignition switch is turned off.



BEFORE START (oil cold)

Figure 19



NORMAL OPERATION (oil warm)

Figure 20

# PRE-OPERATING INSTRUCTIONS

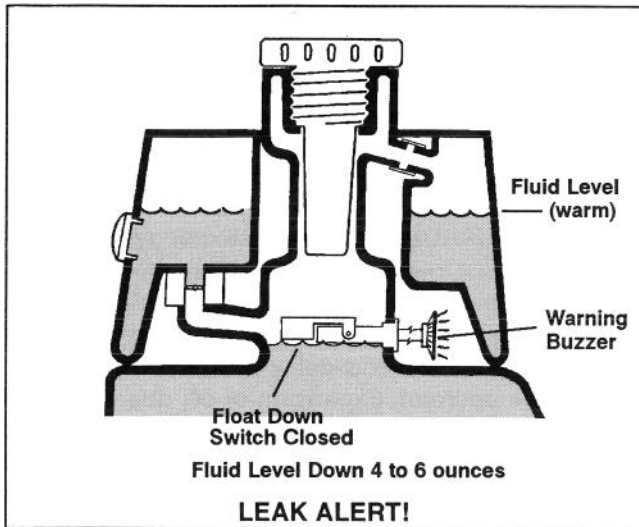


Figure 21

### To check system operation

- A. With ignition switch in the "ON" position, move Leak detector switch rearward and hold. After the one second time delay elapses the alarm should sound.
- B. Release leak detector switch.

### To check leak detector system operation

- A. Move ignition switch to "ON" position. **DO NOT START ENGINE.**
- B. Remove hydraulic tank cap and strainer from neck of tank.
- C. Insert a clean rod or screw driver into tank neck and gently push down on switch float (Fig. 22). Alarm should sound after one second delay.

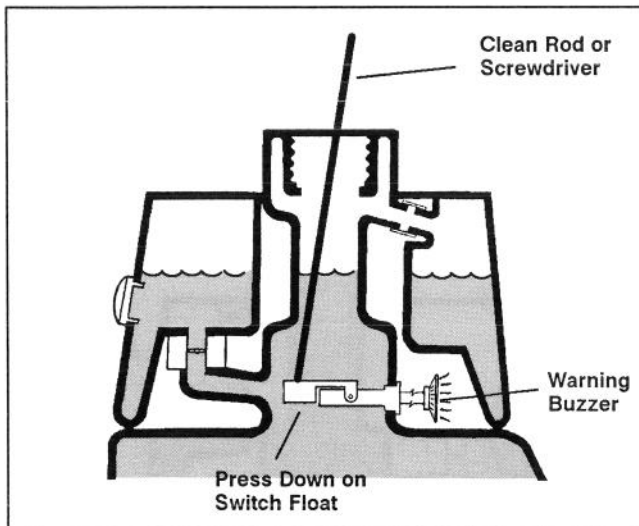


Figure 22

- D. Release float, alarm should stop sounding.
- E. Install strainer screen and hydraulic tank cap. Move ignition switch to "OFF" position.

## PREPARING MACHINE FOR MOWING

To assist in aligning the machine for successive cutting passes, it is suggested the following be done to the No. 2 and No. 3 cutting unit baskets:

1. Measure in approximately 5 inches from the outer edge of each basket.
2. Either place a strip of white tape or paint a line onto each basket paralleling the outer edge of each basket (Fig. 23)

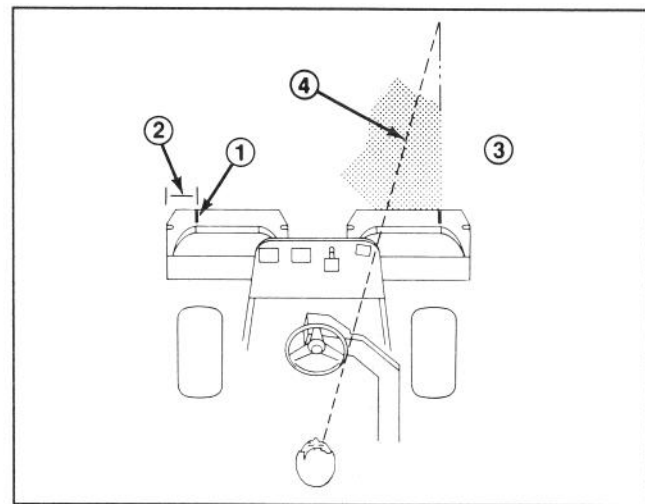


Figure 23

1. Alignment strip
2. Approx. 5 in.
3. Cut grass on right
4. Keep focal spot 6-10 ft ahead of machine

## TRAINING PERIOD

Before mowing greens with the GREENSMASTER 3100, The Toro Company suggests that you find a clear area and practice starting and stopping, raising and lowering cutting units, turning, etc. This training period will be beneficial to the operator in gaining confidence in the performance of the GREENSMASTER 3100.

**IMPORTANT:** If you shift to the No. 2 position while cutting greens, no increase in speed will result. However, a sudden increase in speed will develop when you actuate the lift pedal. For safety purposes, it is recommended that you use only the No. 1 position for cutting greens and the No. 2 position for transport.

# OPERATING INSTRUCTIONS

## BEFORE MOWING

Inspect the green for debris, remove the flag from the cup, and determine the direction best to mow. Base the direction to mow on the previous mowing direction. Always mow in an alternate pattern from the previous mowing, so that the grass blades will be less apt to lay down and therefore be difficult to trap between the reel blades and bed knife.

## MOWING PROCEDURES

1. Approach the green with the shift selector in the No. 1 position. Start on one edge of the green so the ribbon procedure of cutting may be used. This holds compaction to a minimum and leaves a neat, attractive pattern on the greens.

**IMPORTANT:** Shift to the No.1 position when approaching a green because machine speed will automatically be reduced when cutting units are engaged. Higher speed will resume when cutting units are disengaged.

2. Actuate the mow pedal as the front edge of the grass baskets cross the outer edge of the green. This procedure drops the cutting units to the turf and starts the reels.

**Note:** The No. 1 (rear) cutting unit reel will not start until all the cutting units are on the ground and No. 2 and No. 3 cutting units are cutting.

**IMPORTANT:** Familiarize yourself with the fact that the No. 1 cutting unit reel is delayed and therefore, you should practice to try to gain the required timing necessary to minimize the cleanup mowing operation.

3. Overlap a minimal amount with the previous cut on return passes. To assist in maintaining a straight line across the green and keep the machine an equal distance from the edge of the previous cut, establish an imaginary sight line approximately 6 to 10 feet ahead of the machine to the edge of the uncut portion of the green (Fig. 23 & 24). Some find it useful to include the outer edge of the steering wheel as part of the sight line; i.e. keep the steering wheel edge aligned with a point that is always kept the same distance away from the front of the machine (Fig. 23 & 24).

4. As the front of the baskets cross the edge of the green, depress the lift pedal. This will stop the reels and lifts the cutting units. Timing of this procedure is important, so the mowers do not cut into the fringe area. However, as much of the green as possible should be cut to minimize the amount of grass left to mow around the outer periphery.

5. Cut down on operating time and ease lineup for the next pass by momentarily turning the machine in opposite direction, then turning in the direction of the uncut portion; i.e., if intending to turn right, first swing slightly

left, then right. This will assist in getting the machine more quickly aligned for the next pass. Follow the same procedure for turning in the opposite direction. It's good practice to try to make as short a turn as possible. However, turn in a wider arc during warmer weather to minimize the possibility of bruising the turf.

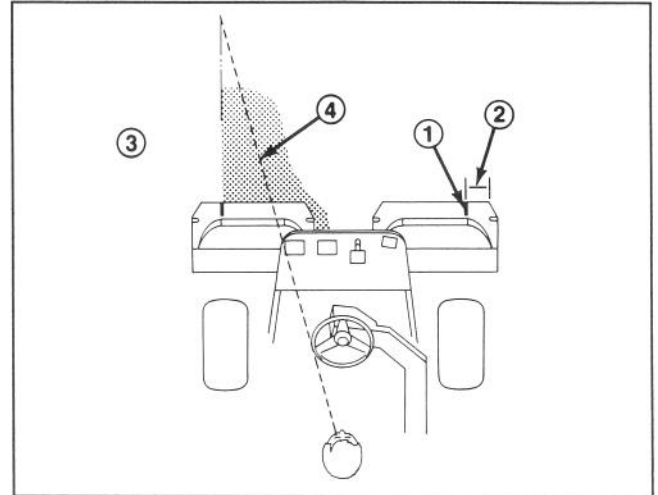


Figure 24

1. Alignment strip  
2. Approx. 5 in.

3. Cut grass on right  
4. Keep focal spot 6-10 ft  
ahead of machine

**Note:** Due to the nature of the power steering system, the steering wheel will not return to its original position after a turn has been completed.

**IMPORTANT:** The Greensmaster 3100 should never be stopped on a green with the cutting unit reels operating as damage to the turf may result. Stopping on a wet green with the Greensmaster 3100 may leave marks or indentations from the wheels.

6. If leak detector alarm sounds while cutting on a green, immediately raise cutting units, drive directly off the green and stop machine in a area away from green. Determine cause of alarm and correct problem.

**IMPORTANT:** Prolonged idling of the machine after heavy use may cause a false alarm in the leak detector system, due to oil contracting as it cools. If this occurs, turn engine off for approximately one minute, while the main hydraulic tank is refilled from auxiliary tank.

7. Finish cutting the green by mowing the outer periphery. Be sure to change the direction of cutting from the previous mowing. Always keep weather and turf conditions in mind and be sure to change the direction of mowing from the previous cutting. Replace the flag.

8. Empty the grass baskets of all clippings before transporting to the next green. Heavy wet clippings place an undue strain on the baskets and will add unnecessary weight to the machine, thereby increasing the load on the engine, hydraulic system, brakes, etc.

# OPERATING INSTRUCTIONS

## LEAK DETECTOR OPERATION

The leak detector alarm may sound for one of the following reasons:

1. A leak, of 4 to 6 ounces, has occurred.
2. The oil level, in the main reservoir, is reduced by 4 to 6 ounces due to contraction of oil by cooling.

If the alarm sounds, it should be turned off as quickly as possible and inspected for leaks. If the alarm sounds while operating on a green it may be appropriate to drive off the green first. The source of the leak should be determined and repaired before continuing operation. If a leak is not found, and a false leak is suspected, move ignition switch to "OFF" position and allow machine to stand for 1–2 minutes to allow the oil levels to stabilize. Then start machine and operate in a non-sensitive area to confirm no leak exists.

False alarms, due to oil contraction, may be caused by extended idling of the machine after normal operation. A false alarm may also occur, if machine is worked at a reduced work load after an extended period of a heavier work load. To avoid false alarms, turn machine off rather than idling for extended periods.

## TRANSPORT OPERATION

Make sure the cutting units are in the full up position. Set the shift selector in No. 2 if conditions will permit faster ground speed. Shift to No. 1 and operate at slower ground speeds in rough or hilly areas. Use the brakes to slow the machine while going down steep hills to avoid loss of control. Always approach rough areas at a reduced speed (shift selector in No. 1), and cross severe undulations carefully. Familiarize yourself with the width of the Greensmaster 3100. Do not attempt to pass between objects that are close together so that costly damage and down time can be prevented.

## INSPECTION AND CLEAN-UP AFTER MOWING

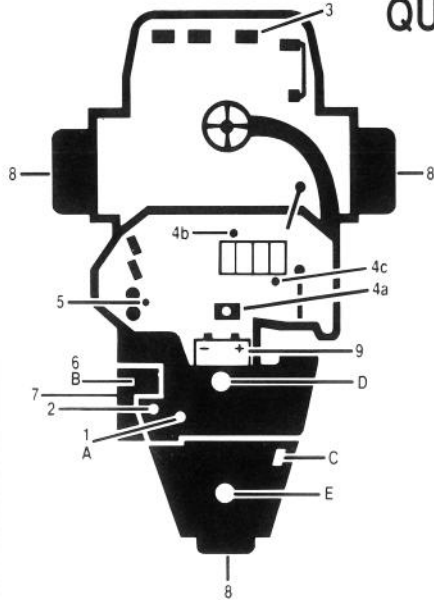
At the completion of mowing operation, thoroughly wash the machine with a garden hose without a nozzle so excessive water pressure will not cause contamination and damage to seals and bearings. After cleaning, it is recommended the machine be inspected for possible hydraulic fluid leaks, damage or wear to hydraulic and mechanical components and the cutting units checked for sharpness. Also, lubricate the mow and lift pedal and brake shaft assembly with SAE 30 oil or spray lubricant to deter corrosion and help keep the machine performing satisfactorily during the next mowing operation.

# SERVICE INTERVAL CHART

## GREENSMMASTER 3100 QUICK REFERENCE AID



SEE OPERATOR'S  
MANUAL



### CHECK SERVICE (daily)

1. OIL LEVEL, ENGINE
2. OIL LEVEL, HYDRAULIC TANK
3. BRAKE FUNCTION
4. INTERLOCK SYSTEM:
  - 4a. SEAT INTERLOCK
  - 4b. MOW - LIFT INTERLOCK
  - 4c. TRACTION INTERLOCK

### 5. LEAK DETECTOR ALARM

6. AIR FILTER & PRECLEANER
7. ENGINE COOLING FINS
8. TIRE PRESSURE  
(8 - 12 PSI FRONT, 8 - 15 PSI REAR)
9. BATTERY  
WHEEL NUT TORQUE (40 - 50 FT. - LB.)
10. LUBRICATION

### FLUID SPECIFICATIONS CHANGE INTERVALS

See operator's manual for initial change	FLUID TYPE	CAPACITY	CHANGE INTERVALS		FILTER PART NO.
			FLUID	FILTER	
A. ENGINE OIL	SAE 30 SG	* 1 3/4 qts.	50 hrs.	100 hrs.	491056
B. AIR CLEANER				100 hrs.	394018
C. FUEL FILTER				1000 hrs.	83 - 1320
D. HYDRAULIC OIL	Mobil DTE 26	8-1/2 gal.	2000 hrs.	2000 hrs.	68 - 9880
E. FUEL TANK	Unleaded Gas	7-1/2 gal.			

\* including filter

R3 - 1780

# LUBRICATION



## CAUTION

Before servicing or making adjustments to the machine, stop engine and remove key from the switch.

The traction unit has grease fittings that must be lubricated regularly with No. 2 General Purpose Lithium Base Grease. If machine is operated under normal conditions, lubricate all bearings and bushings after every 50 hours of operation.

The traction unit bearings and bushings that must be lubricated are: Rear wheel bearings (1) (Fig. 25), Steering fork shaft (1) (Fig. 26), Lift arm pivot (3), Pivot hinge (3) (Fig. 27), Pull frame shaft and roller (12) (Fig. 28), Power steering cylinder (1) (Fig. 29), Mow lift pivot (1) (Fig. 30) and Lift cylinders (3) (Fig. 31)

1. Wipe grease fitting clean so foreign matter cannot be forced into the bearing or bushing.
2. Pump grease into the bearing or bushing.
3. Wipe up excess grease.
4. Apply grease to reel motor spline shaft and onto lift arm when cutting unit is removed for service.
5. Apply a few drops of SAE 30 engine oil or spray lubricant (WD 40) to all pivot points daily after cleaning.

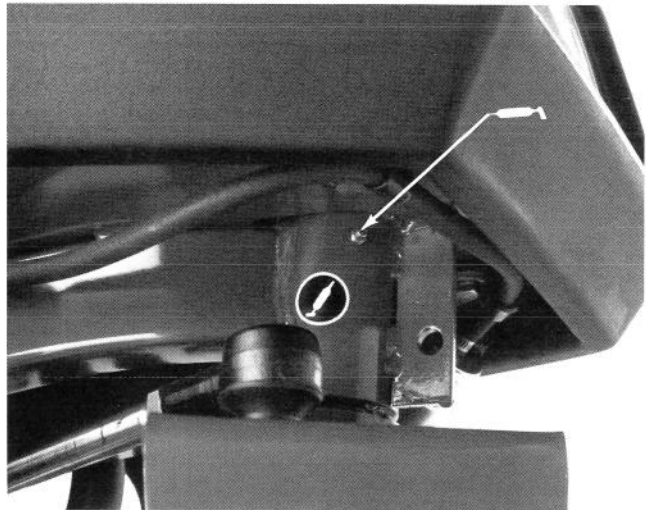


Figure 26

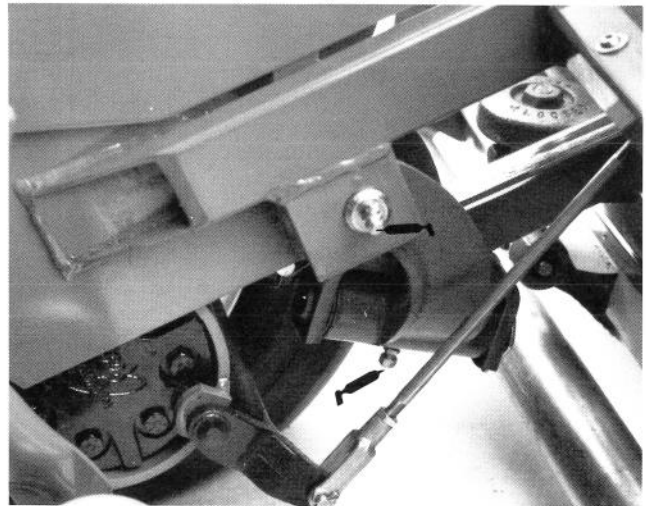


Figure 27



Figure 25

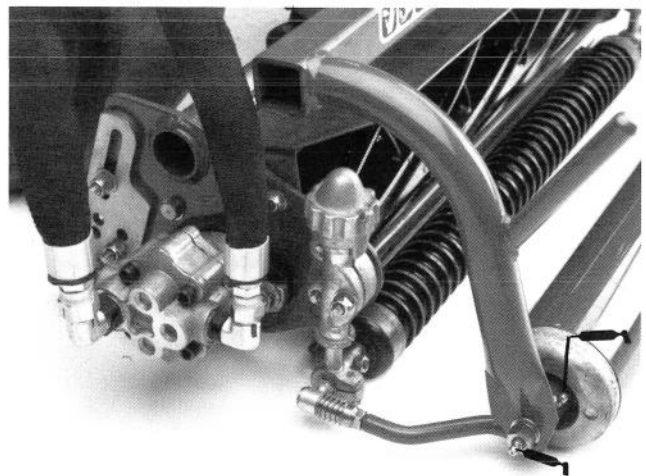


Figure 28

# LUBRICATION

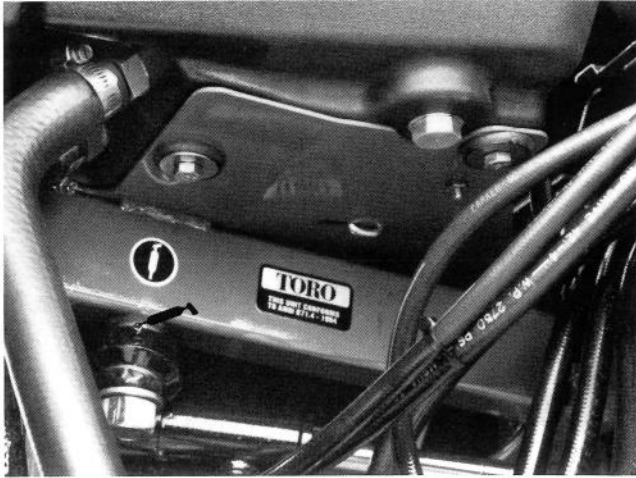


Figure 29

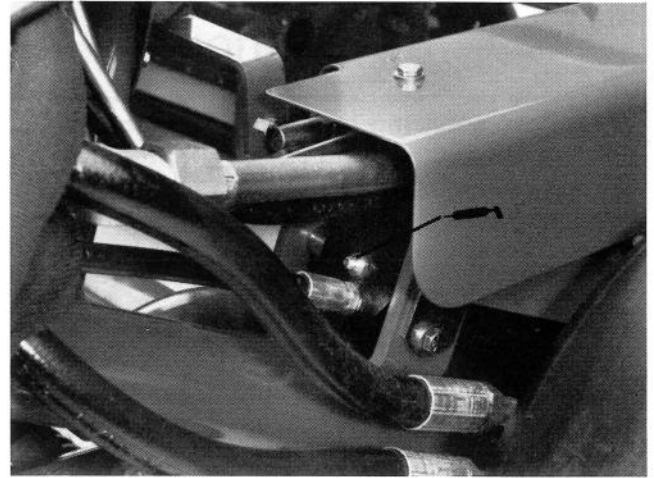


Figure 31



Figure 30

# MAINTENANCE



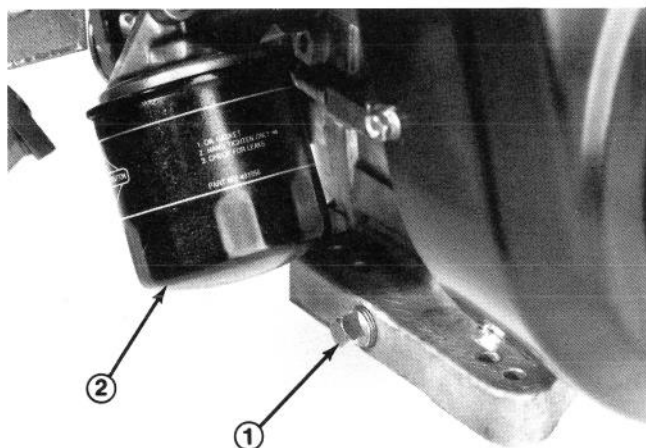
## CAUTION

Before servicing or making adjustments to the machine, stop engine and remove key from the switch.

## CHANGING ENGINE OIL AND FILTER (Fig. 32)

Change oil initially after the first 8 hours of operation, thereafter change oil every 50 hours and filter every 100 hours.

1. Remove drain plug and let oil flow into drain pan. When oil stops, install drain plug.



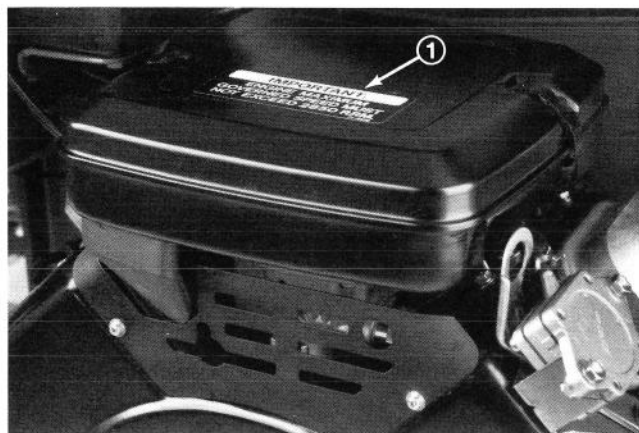
**Figure 32**  
1. Drain plug  
2. Oil filter

2. Remove oil filter. Apply a light coat of clean oil to the new filter gasket.
3. Screw filter on by hand until gasket contacts filter adapter, then tighten 1/2 to 3/4 turn further. **DO NOT OVER-TIGHTEN.**
4. Add oil to crankcase, refer to CHECK ENGINE OIL, Page 12.
5. Dispose of oil properly.

## SERVICING AIR CLEANER (Fig. 33–34)

Service air cleaner foam pre-cleaner after every 25 operating hours and air cleaner cartridge after every 100 operating hours. More frequent cleaning is required when operating in dusty or dirty conditions.

1. Release locking clips and remove air cleaner cover. Clean cover thoroughly.



**Figure 33**  
1. Air cleaner cover

2. Remove wing nut securing elements to air cleaner body.
3. If foam element is dirty, remove it from paper element. Clean thoroughly.



**Figure 34**  
1. Foam element    2. Paper element

A. **WASH** foam element in a solution of liquid soap and warm water. Squeeze to remove dirt, but do not twist because foam may tear.

B. **DRY** by wrapping in a clean rag. Squeeze rag and foam element to dry.

C. **SATURATE** element with clean engine oil. Squeeze element to remove excess oil and to distribute oil thoroughly. An oil damp element is desirable.

4. When servicing foam element, check condition of paper element. Clean by gently tapping on a flat surface or replace as required.

5. Reinstall foam element, paper element and air cleaner cover.

**IMPORTANT: Do not operate engine without air cleaner element because extreme engine wear and damage will likely result.**

# MAINTENANCE

## ADJUSTING THROTTLE CONTROL

(Fig. 35)

Proper throttle operation is dependent upon proper adjustment of throttle control. Before adjusting the carburetor, assure the throttle control is operating properly.

1. Loosen cable clamp screw securing cable to engine.
2. Move remote throttle control lever forward to FAST position.
3. Pull firmly on throttle cable until back of swivel contacts stop.

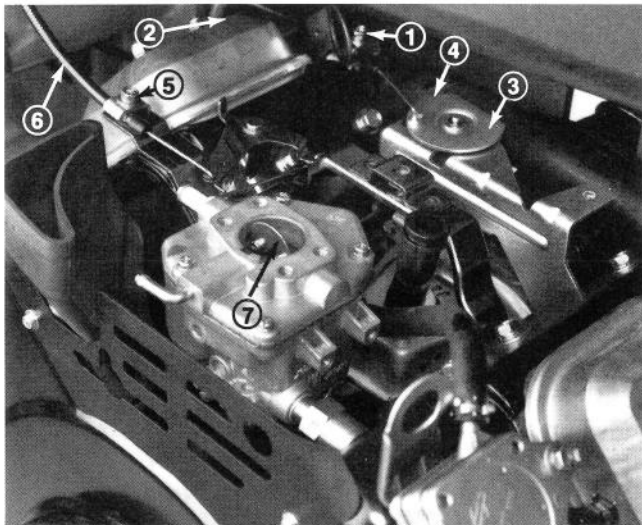


Figure 35

1. Throttle casing clamp screw
2. Throttle cable
3. Swivel
4. Stop
5. Choke casing clamp screw
6. Choke cable
7. Choke butterfly

4. Tighten cable clamp screw and check engine RPM setting.

High Idle:  $2800 + 50 - 100$

Low Idle:  $1400 \pm 50$

## ADJUSTING CHOKE CONTROL (Fig. 35)

1. Loosen cable clamp screw securing cable to engine.
2. Move remote choke control lever forward to CLOSED position.
3. Pull firmly on choke cable until choke butterfly is completely closed, then tighten cable clamp screw.

## ADJUSTING CARBURETOR AND SPEED CONTROL (Fig. 36)

**IMPORTANT:** Before the carburetor and speed control are adjusted, the throttle and choke controls must be adjusted properly.



### WARNING

Engine must be running during adjustment of the carburetor and speed control. To guard against possible personal injury, shift into neutral, and engage parking brake. Keep hands, feet, face, and other parts of the body away from the cutter blades, and any rotating engine parts.

1. Start engine and let it run at half throttle for approximately five minutes to warm up.

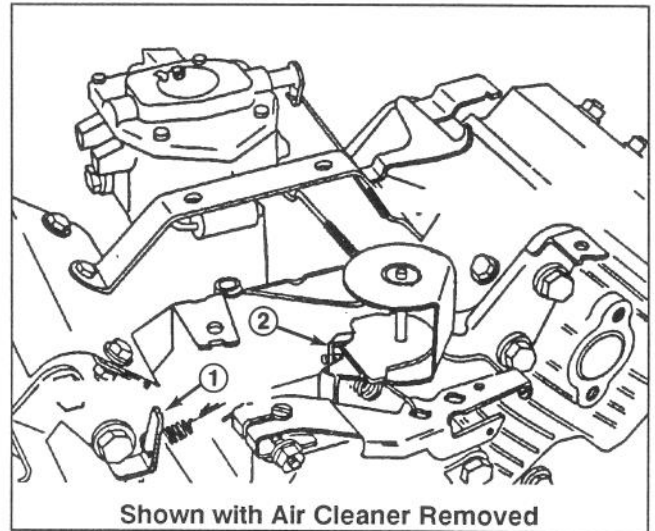


Figure 36

1. Governed idle spring anchor tang
2. High speed spring anchor tang

2. Move the throttle control to SLOW setting. Hold governor lever so throttle lever is in the idle position (against idle stop screw) and adjust idle stop screw to  $1400 \pm 50$  rpm by turning the screw in or out. Check speed with a tachometer.

3. Turn the idle mixture screw slowly clockwise (lean mixture) until the engine speed just starts to decrease. Note position of the needle.

Now turn the idle mixture screw slowly counterclockwise (rich mixture) until the engine speed just starts to decrease. Note position of the needle.

Set the screw midway between the rich and lean settings.

# MAINTENANCE

4. After the idle mixture has been adjusted, hold governor lever so throttle lever is in idle position (against idle stop screw) and readjust idle stop screw to bring speed to  $1200 \pm 50$  rpm.
5. With governor control lever in governed idle position (no tension on high speed spring) bend governed idle spring anchor tang to attain governed idle speed of  $1400 \pm 50$  rpm.
6. Move throttle control to FAST position. Bend high speed spring anchor tang to attain high speed of  $2800 + 50 - 100$  rpm.

## REPLACING SPARK PLUGS (Fig. 37)

Replace spark plugs after every 1000 operating hours or yearly, whichever occurs first. Recommended air gap is 0.030".

Correct spark plug to use is a Champion RC 12YC.

**Note:** The spark plug usually lasts a long time; however, the plug should be removed and checked whenever the engine malfunctions.

1. Clean area around spark plugs so foreign matter cannot fall into cylinder when spark plug is removed.
2. Pull spark plug wires off spark plugs and remove plugs from cylinder head.
3. Check condition of side electrode, center electrode, and center electrode insulator to assure there is no damage.

**IMPORTANT:** A cracked, fouled, dirty or otherwise malfunctioning spark plug must be replaced. Do not sand blast, scrape, or clean electrodes by using a wire brush because grit may eventually release from the plug and fall into the cylinder. The result is usually a damaged engine.

4. Set air gap between center and side of electrodes at 0.030". Install correctly gapped spark plug w/gasket seal, and tighten plug to 200 in-lb. If torque wrench is not used, tighten plug firmly.

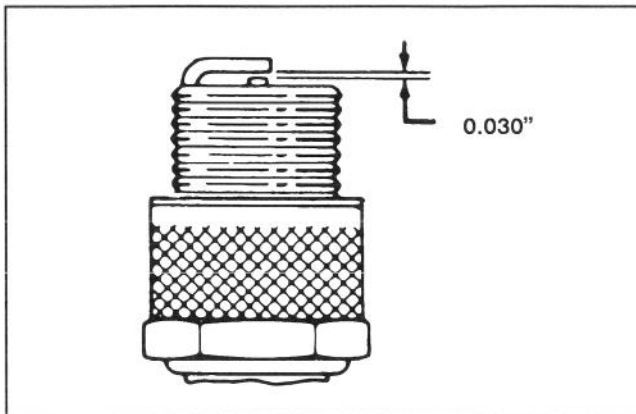


Figure 37

## FUEL FILTER REPLACEMENT (Fig. 38)

An in-line filter is incorporated into the fuel line between the fuel tank and carburetor. Replace the filter every 1000 hours or sooner if fuel flow is restricted. Be sure the arrow on the filter is pointing away from the fuel tank.

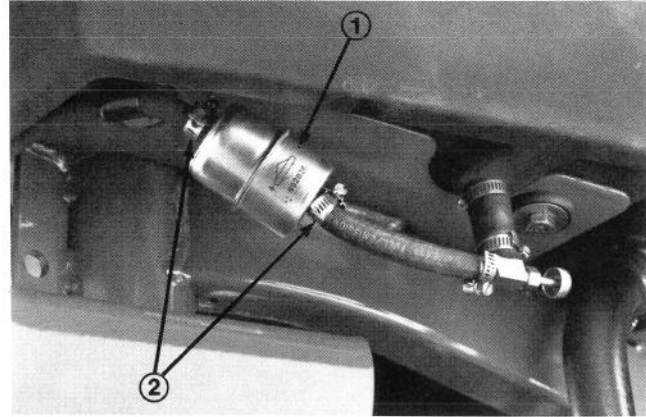


Figure 38

1. Fuel filter
2. Hose clamps



### CAUTION

Since gasoline is highly flammable, drain it outdoors and make sure engine is cool to prevent a potential fire hazard. Wipe up any gasoline that may have spilled. Do not drain gasoline near any open flame or where gasoline fumes may be ignited by a spark. Do not smoke a cigar, cigarette, or a pipe when handling gasoline.

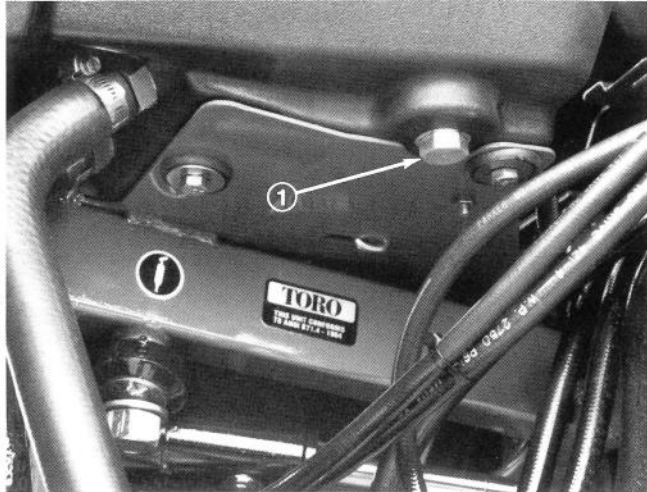
1. Close fuel shut off valve, loosen the hose clamp on the carburetor side of filter and remove the fuel line from the filter.
2. Place a drain pan under filter, loosen the remaining hose clamp and remove filter.
3. Install the new filter with arrow on the filter body pointing away from the fuel tank.

## CHANGING HYDRAULIC OIL AND FILTER (Fig. 39 & 40)

Normally, change hydraulic oil and filter after every 2000 operating hours. If oil becomes contaminated, contact your local TORO distributor because the system must be flushed. Contaminated oil looks milky or black when compared to clean oil.

1. Remove drain plug from reservoir and let hydraulic oil flow into drain pan. Reinstall and tighten plug when hydraulic oil stops draining.

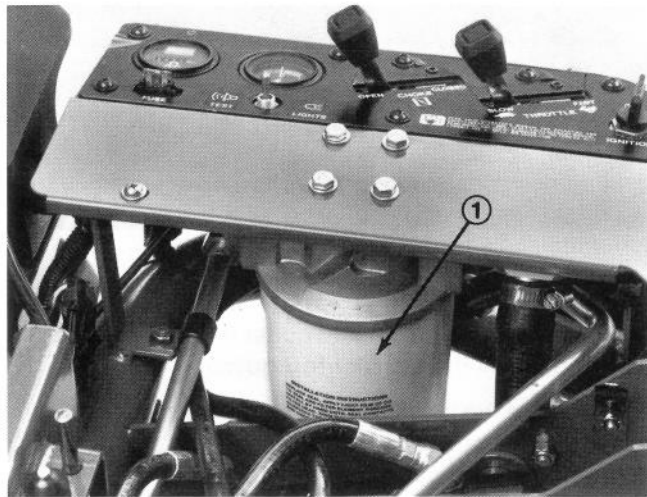
# MAINTENANCE



**Figure 39**

1. Hydraulic Reservoir Drain Plug

2. Clean area around filter mounting area . Place drain pan under filter and remove filter.



**Figure 40**

1. Hydraulic Filter

3. Fill the replacement filter with Mobil DTE 26 hydraulic fluid, lubricate the sealing gasket and hand turn until gasket contacts filter head. Then tighten 3/4 turn further. Filter should now be sealed.

4. Fill large hydraulic tank and small auxiliary tank with approximately 8.5 gallons of hydraulic oil. Refer to CHECK HYDRAULIC SYSTEM, Page 13.

5. Start the machine and run it at idle for 3 to 5 minutes to circulate the fluid and remove any air trapped in the system. Stop the machine and recheck the fluid level.

**NOTE:** If leak detector alarm sounds, turn key OFF, wait a few minutes for oil level to equalize in tanks. Recheck fluid level and add oil, if required.

6. Dispose of oil properly.

## CHECKING HYDRAULIC LINES AND HOSES

After every 100 operating hours, check hydraulic lines and hoses for leaks, kinked lines, loose mounting supports, wear, loose fittings, weather deterioration and chemical deterioration. Make all necessary repairs before operating.



### WARNING

Keep body and hands away from pin hole leaks or nozzles that eject high pressure hydraulic fluid. Use cardboard or paper to find hydraulic leaks. Hydraulic fluid escaping under pressure can penetrate skin and cause injury. Fluid accidentally injected into the skin must be surgically removed within a few hours by a doctor familiar with this form of injury or gangrene may result.

## BRAKE ADJUSTMENT (Fig. 41)

A brake adjustment rod is located on each side of the Greensmaster 3100 so the brakes can be equally adjusted. Adjust the brakes as follows:

1. Transport the Greensmaster 3100 and depress the brake pedal; both wheels should lock equally.

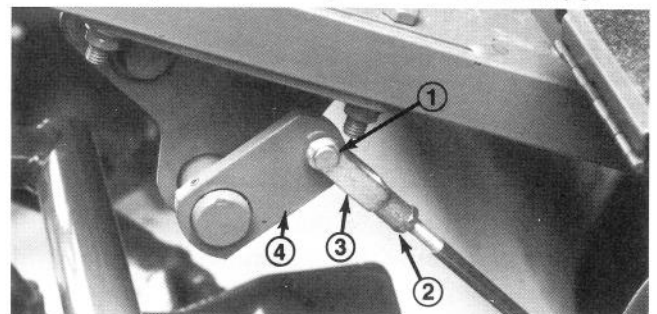


### CAUTION

As a safety precaution, always check brakes in a wide, open spaced, flat area which is free of other persons and obstructions before and after adjustment.

2. If the brakes do not lock equally, disconnect the brake rods by removing cotter pin and clevis pin.

3. Loosen jam nut and adjust clevis accordingly.



**Figure 41**

1. Clevis pin & cotter pin      3. Clevis  
2. Jam nut                      4. Brake shaft

4. Assemble clevis to brake shaft.

# MAINTENANCE

5. Check the amount of free travel of the brake pedal when adjustment is completed. There should be 1/2 in. to 1 in. travel before the brake shoes make contact with the brake drums. Re-adjust, if necessary, to achieve this setting.

6. Transport the Greensmaster 3100 and depress the brake pedal; both brakes should lock equally. Readjust, if necessary.

7. It is recommended that brakes be burnished annually, refer to Break-In Period, page 16.

## REAR CAMSHAFT ADJUSTMENT (Fig. 42)

A camshaft misaligned with the valve bank may cause the following:

- A. No increase in ground speed in No. 2 (transport) traction selection.
- B. Mow pedal will not stay depressed (in detent) without foot pressure.
- C. Slow lift of the cutting units.
- D. Slow or no drive to the cutting units.

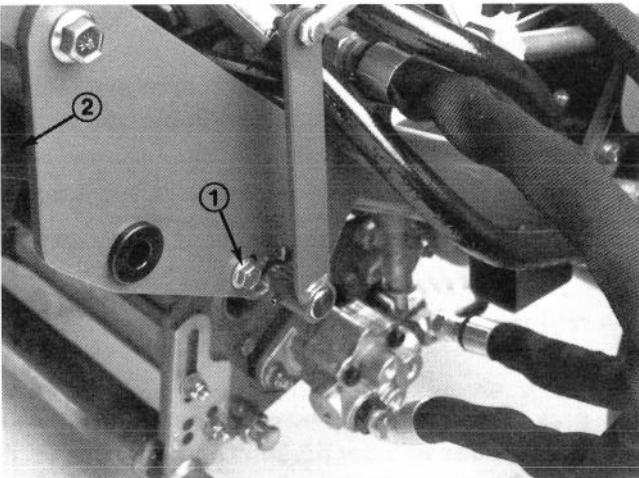


Figure 42

- 1. Mounting cap screws
- 2. Cam blocks

1. If one or more malfunctions occur, loosen the rear camshaft mounting cap screws and relocate the cam shaft until the condition is corrected.

2. Retighten the cap screws.



### CAUTION

You must readjust the mow-lift switch when the camshaft adjustment is completed, page 30, and the lift and mow pedal height, page 28.

## ADJUSTING LIFT AND MOW PEDAL HEIGHT (Fig. 43-44)

Adjust the lift and mow pedal to equal height to gain proper spool travel in the valve bank as follows:

1. Place 1, 2 and 3 spools in neutral (center of travel) and remove transfer rod guard from foot panel.
2. Loosen jam nut securing yoke on front of long control rod, remove cotter pin and clevis pin.
3. Move adjustment lever by hand to level the mow and lift pedals and adjust yoke on control rod until hole in yoke lines up with the adjustment lever hole.

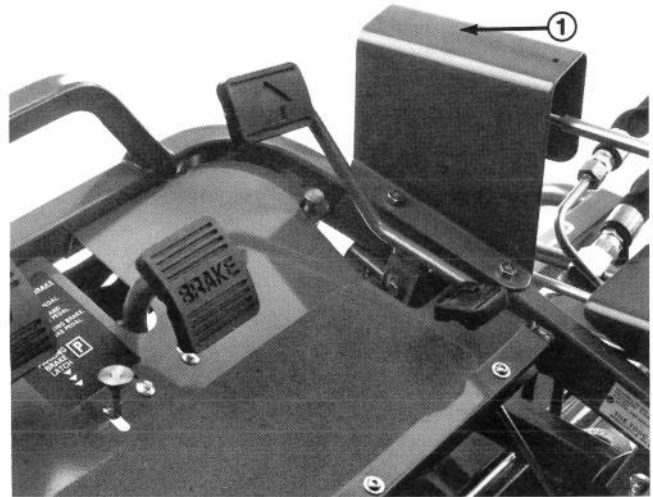


Figure 43

- 1. Transfer rod guard

4. Install the clevis pin and cotter pin. Tighten the jam nut and install the transfer rod guard.

5. Actuate the mow pedal by hand. Be sure the lift pivot under the pedals clears the stop welded to the frame, thereby allowing full spool travel.

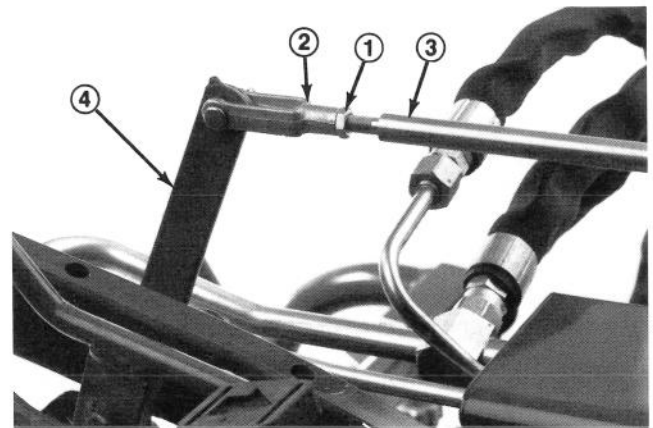


Figure 44

- 1. Jam nut
- 2. Yoke
- 3. Control rod
- 4. Adjustment lever

# MAINTENANCE

## LEVELING LIFT AND MOW PEDALS

(Fig. 45)

If lift and mow pedals are not level when in the neutral position, an adjustment to the lift pivot is required.

1. Loosen nut on back side of lift pivot.
2. Rotate eccentric screw to raise or lower lift pivot spring, leveling lift pivot and pedals.

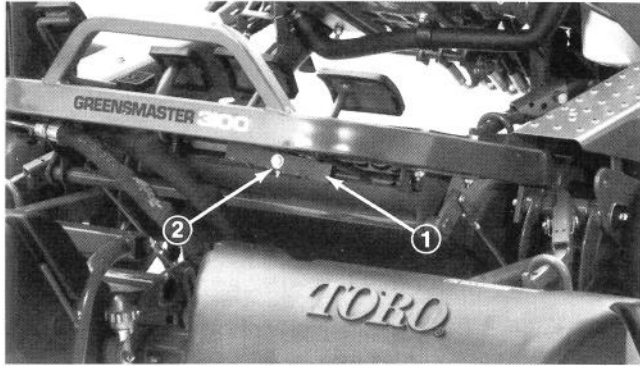


Figure 45

1. Lift Pivot 2. Eccentric Screw

3. While holding screw, tighten nut locking adjustment.

## ADJUSTING TRACTION PEDAL (Fig. 46)

To check forward and reverse operation of traction pedal proceed as follows:

### Forward

1. Press traction pedal fully forward until No. 5 section, valve spool is completely pulled out.
2. Pedal should contact pedal stop. If pedal contacts stop before spool is completely out, or if pedal does not make contact with stop, an adjustment to the stop is necessary.

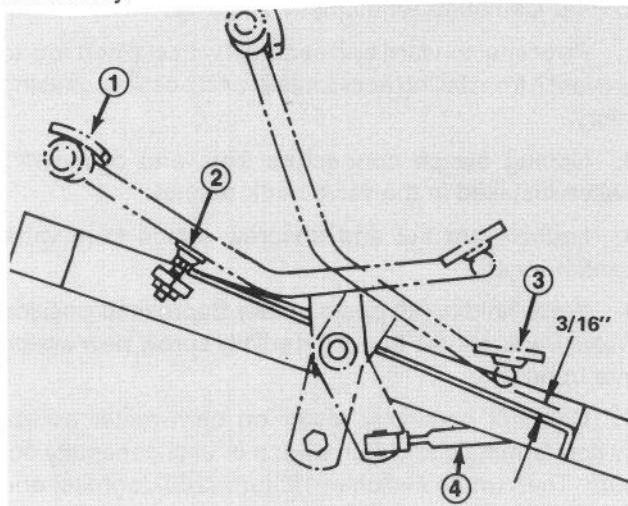


Figure 46

1. Fully forward 3. Reverse  
2. Pedal stop 4. Control rod

3. Loosen hex nut securing threaded rod to frame. Turn flange nut on rod to raise or lower stop (rod), while checking pedal.

4. When completed, retighten nut.

### Reverse

1. Press down on rear of traction pedal (reverse) until No. 5 section, spool valve is completely pushed in.
2. Check distance between bottom of pedal and footrest as shown in Fig. 46. Distance should be approximately 3/16". If distance is greater or less than 3/16" dimension, an adjustment to the traction control rod is required.
3. Remove jam nut and ball joint securing control rod to traction shaft pivot.
4. Loosen jamnuts securing ball joints to control rod and adjust ball joints and control rod to attain 3/16" dimension when reinstalled.

## ADJUSTING CUTTING UNIT LIFT/DROP

1. The machines cutting unit lift/drop circuit is equipped with a flow control valve. This valve is pre-set at the factory at approximately 3-1/2 turns open, but an adjustment may be required to compensate for differences in hydraulic oil temperatures, mowing speeds, etc. If an adjustment is required proceed as follows:

**Note:** Allow hydraulic oil to reach full operating temperature before adjusting flow control valve.

1. Raise seat and locate flow control valve mounted to main control valve.
2. Loosen jam nut, retaining adjusting knob on flow control. **When loosening jam nut, hold flow control knob to prevent it from rotating.**
3. Rotate knob 1/4 turn counterclockwise, if center cutting unit is dropping too late or 1/4 turn clockwise if center cutting unit is dropping too early.
4. After desired setting has been achieved, hold knob to prevent any rotation and tighten jam nut.

## ADJUSTING LIFT CYLINDERS

To regulate the height of the front cutting units, when in the raised (transport) position, the front lift cylinders may be adjusted.

1. Lower cutting units to the floor.
2. Loosen jam nut on clevis, of cutting unit lift cylinder, to be adjusted.
3. Disconnect cylinder clevis from lift arm.
4. Rotate clevis until desired height is attained.
5. Connect cylinder clevis to lift arm and tighten jam nut.

# MAINTENANCE

## SEAT SWITCH MAINTENANCE (Fig. 47)

1. Pivot seat forward and secure it with support rod to prevent it from falling accidentally and possibly causing injury.
2. Remove boot from button end of seat switch and retain for installation on replacement switch. Unplug switch connectors.

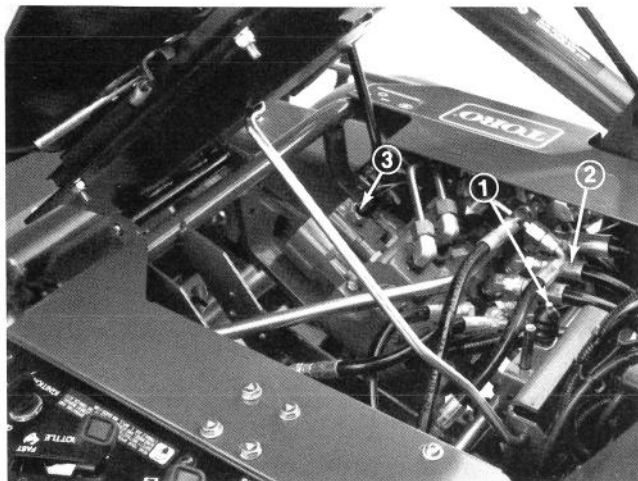


Figure 47

1. Seat switch      3. Mow/lift switch  
2. Traction switch

3. Loosen the jam nut and unscrew the switch from mounting bracket.
4. Screw new switch through mounting bracket until switch button is about 1/16 inch shorter than the top of the seat return spring pin. Install the boot into the mount grooves.
5. Carefully release the seat to its normally down position, but do not sit or apply force on the seat. There should be a slight gap between the switch and the seat plate.
6. Lock switch in place by tightening the jam nut to 75 in.-lb against the mounting bracket.

**IMPORTANT:** Switch threads will be damaged if the jam nut is over-tightened.

7. Connect continuity tester or ohm meter to switch terminals. With seat in the down position and no one on the seat, the switch circuit should not have continuity. If there is continuity, repeat steps 4–6. If there is no continuity, proceed to step 8.
8. Sit on the seat. The seat switch should have continuity. If there is no continuity, repeat steps 4–7. If there is continuity proceed to step 9.
9. Plug switch connectors together.

## TRACTION SWITCH MAINTENANCE

(Fig. 47)

1. Pivot seat forward and secure it with support rod to prevent it from falling accidentally and possibly causing injury.
2. Unplug switch connectors from traction switch installed in valve bank bonnet on selector valve section.
3. Loosen the jam nut and unscrew the switch from the mounting bracket.
4. Move shift selector to Neutral.
5. Partially screw new switch into bonnet.
6. Connect a continuity tester or ohm meter to the switch terminals and continue to turn the switch in until there is continuity. Then rotate switch in 1/2 turn (180 degrees).
7. Secure jam nut to 75 in.-lb. against the bonnet.

**IMPORTANT:** Switch threads will be damaged if the jam nut is over-tightened.

8. Connect continuity tester or ohm meter to switch terminals and move shift selector to the #1 and #2 positions. There should not be continuity when shift selector is in either of these positions. If there is continuity, repeat steps 5 and 6.
9. Move the shift selector lever to Neutral and connect continuity tester or ohm meter to switch terminals. The switch should show continuity. This means the switch is operating correctly.
10. Plug switch connectors together.

## MOW/LIFT SWITCH MAINTENANCE

(Fig. 46)

**IMPORTANT:** Spool travel for 1, 2 and 3 spools must be correct before Mow/Lift switch can be adjusted. Refer to Rear Camshaft Adjustment, page 28.

1. Pivot seat forward and secure it with support rod to prevent it from falling accidentally and possibly causing injury.
2. Unplug switch connectors from end of mow/lift switch installed in the valve bank bonnet.
3. Loosen jam nut and unscrew switch from valve bank bonnet.
4. While holding lift pedal in fully depressed position (valve bank spools fully IN) partially screw new switch into bonnet.
5. Connect continuity tester or ohm meter across switch terminals and turn switch in until continuity occurs. Then rotate switch in 1/2 turn (180 degrees) and secure jam nut to 75 in.-lb. against the bonnet.

**IMPORTANT:** Switch threads will be damaged if the jam nut is over-tightened.

# MAINTENANCE

6. Connect continuity tester or ohm meter to switch terminals and depress the mow pedal.

There should not be continuity. If there is continuity, repeat step 4. Proceed to step 7 if there is no continuity.

7. Depress the lift pedal and release it (neutral position). The switch circuit should have continuity.

8. Plug switch connectors together.

## BATTERY CARE

1. Battery electrolyte level must be properly maintained and the top of the battery kept clean. If the Greensmaster 3100 is stored in a location where temperatures are extremely high, the battery will run down more rapidly than if the machine is stored in a location where temperatures are cool.



### CAUTION

Since the gasses from the battery and the gasoline fumes are explosive, keep open flame and electrical spark away from the area; do not smoke.

2. Check the electrolyte level every 25 operating hours or, if machine is in storage, every 30 days.

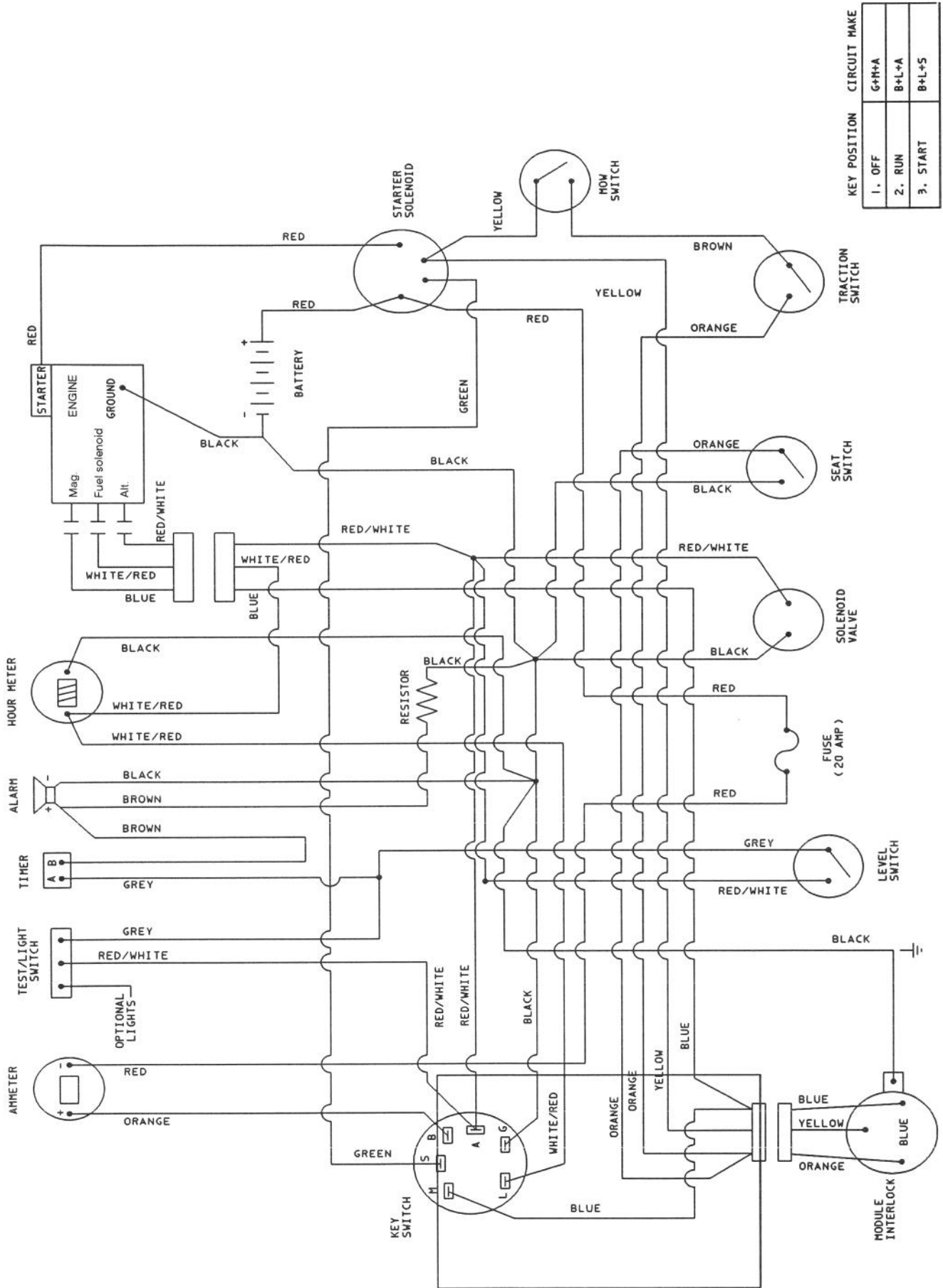
3. Maintain cell level with distilled or demineralized water. Do not fill cells above the bottom of the split ring inside each cell.

4. Keep top of battery clean by washing periodically with a brush dipped in ammonia or bicarbonate of soda solution. Flush the top surface with water after cleaning. Do not remove the fill caps while cleaning.

5. Battery cables must be tight on terminals to provide good electrical contact.

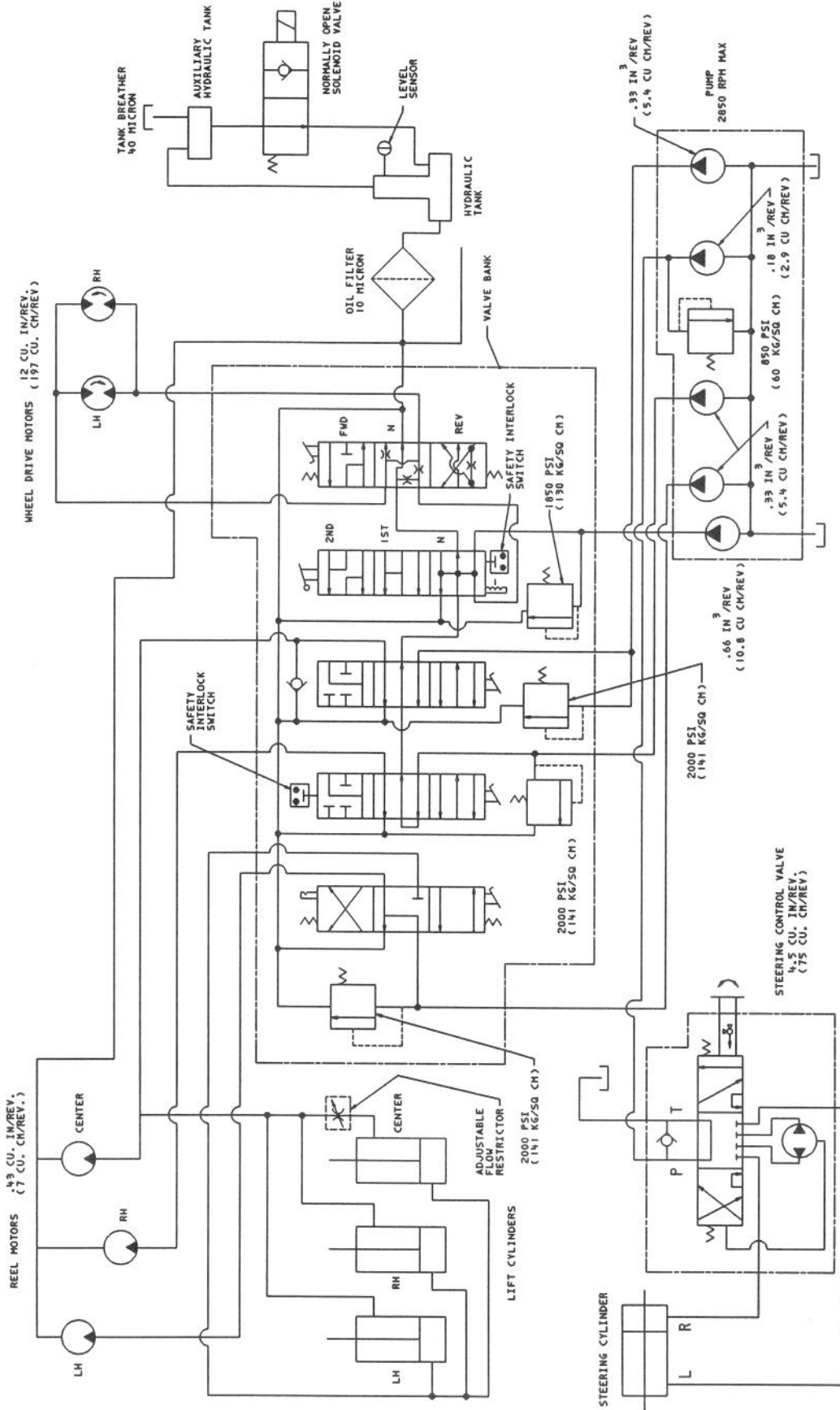
6. If corrosion occurs at terminals, disconnect cables, negative (-) cable first and scrape clamps and terminals separately. Reconnect cables, positive (+) cable first and coat terminals with petroleum jelly.

# ELECTRICAL SCHEMATIC



KEY POSITION	CIRCUIT MAKE
1. OFF	G+H+A
2. RUN	B+L+A
3. START	B+L+S

# HYDRAULIC SCHEMATIC



# TROUBLE SHOOTING

CONDITION	CAUSE	CORRECTION
<b>ENGINE:</b> 1. Loss of power	<ul style="list-style-type: none"> <li>• Out of fuel.</li> <li>• Clogged fuel line — debris in fuel tank.</li> <li>• Clogged fuel filter.</li> <li>• Low crankcase oil level.</li>   <li>• Wrong oil in crankcase.</li>   <li>• Carburetor fuel solenoid</li> <li>• Throttle cable set incorrectly.</li> <li>• Choke closed.</li> <li>• Plugged air cleaner element.</li>   <li>• Carburetor malfunction.</li> <li>• Ignition malfunction</li> <li>• Cooling fins plugged with debris. Engine overheating.</li> <li>• Internal engine malfunction</li> <li>• Engine—pump coupling loose.</li> <li>• Hydraulic system malfunction.</li> </ul>	<ul style="list-style-type: none"> <li>• Re—fill fuel tank.</li> <li>• Clean fuel tank. Use clean gasoline.</li> <li>• Replace filter.</li> <li>• Add oil to proper level. Check level more frequently.</li> <li>• Replace with correct oil. Refer to page 12.</li> <li>• Check solenoid and wiring</li> <li>• Repair as necessary.</li> <li>• Readjust.</li> <li>• Replace element. Service more frequently.</li> <li>• Repair as necessary.</li> <li>• Repair as necessary.</li> <li>• Clean fins. Repair engine as necessary.</li> <li>• Repair as necessary.</li> <li>• Repair or replace.</li> <li>• Refer to Hydraulic Trouble Shooting, (See below).</li> </ul>
2. Engine won't start.	<ul style="list-style-type: none"> <li>• Faulty ignition system.</li> <li>• No fuel.</li>   <li>• Defective starter system.</li>   <li>• Carburetor fuel solenoid.</li> </ul>	<ul style="list-style-type: none"> <li>• Repair as necessary</li> <li>• Check fuel level. Add gasoline to tank.</li> <li>• Check connections, solenoid, startermotor, ignition switch.</li> <li>• Check solenoid and wiring.</li> </ul>
<b>HYDRAULIC:</b> 1. No ground speed increase in #2 selection.	<ul style="list-style-type: none"> <li>• Maladjusted control lever.</li> <li>• Maladjusted rear camshaft.</li>   <li>• Mow—lift linkage binding or broken lift pivot spring.</li> <li>• Wrong detent parts in #4 spool.</li>   <li>• #2 or #3 spool relief valves stuck open. (Reel drive RPM will also be low on #1 or #3 cutting unit).</li> </ul>	<ul style="list-style-type: none"> <li>• Adjust. Refer to Traction Switch Adjustment, page 30.</li> <li>• Adjust by moving R.H. end of rear camshaft forward or L.H. end rear—ward. Refer to page 28.</li> <li>• Lubricate or repair machine.</li>   <li>• Remove valve bank &amp; repair #4 spool assembly.</li> <li>• Remove, and repair or replace relief cartridge.</li> </ul>
2. No #1 or Reverse Traction speed. Normal #2 speed.	<ul style="list-style-type: none"> <li>• Defective or missing disc seal between #3 or #4 valve sections.</li> <li>• Poppet inside #4 spool stuck open. Off seat.</li> <li>• Open traction relief cartridge in #4 spool section.</li> </ul>	<ul style="list-style-type: none"> <li>• Remove valve bank. Replace disc seal.</li> <li>• Remove valve bank. Repair #4 spool section.</li> <li>• Remove relief cartridge. Repair or replace.</li> </ul>

# TROUBLE SHOOTING

CONDITION	CAUSE	CORRECTION
3. No #1 or Reverse Traction speed. Normal #2 speed.	<ul style="list-style-type: none"> <li>• Traction motor lacks efficiency. Fluid leaking past internal gears.</li> <li>• Hydraulic pump lacks efficiency. Fluid leaking past internal gears.</li> </ul>	<ul style="list-style-type: none"> <li>• Test to identify faulty motor. Repair or replace motor.</li> <li>• Test to verify diagnosis. Repair or replace pump.</li> </ul>
4. Slow or no traction in all selections.	<ul style="list-style-type: none"> <li>• Brakes dragging.</li> <li>• Faulty O–ring seals around traction relief cartridge or inlet sleeve in #4 spool valve. Fluid leaking by to tank.</li> <li>• Worn or weak traction motor(s).</li> <li>• Pump excessively worn.</li> <li>• Traction relief in #4 spool valve open.</li> </ul>	<ul style="list-style-type: none"> <li>• Determine cause &amp; repair. Refer to page 28.</li> <li>• Remove relief and inlet sleeve. Replace O–rings.</li> <li>• Test to verify. Repair or replace motor(s).</li> <li>• Test to verify. Repair or replace.</li> <li>• Remove, repair or replace.</li> </ul>
5. Slow or no traction in all selections. (Reels affected)	<ul style="list-style-type: none"> <li>• Low oil level in reservoir.</li> <li>• Loose shift lever bracket.</li> <li>• Maladjusted rear camshaft.</li> <li>• Engine lacks power.</li> </ul>	<ul style="list-style-type: none"> <li>• Add oil to proper level. See page 13.</li> <li>• Readjust &amp; tighten shift lever.</li> <li>• Readjust. See page 28.</li> <li>• Repair as necessary.</li> </ul>
6. Binding shift lever	<ul style="list-style-type: none"> <li>• Lack of lubrication in #4 spool detent assembly.</li> </ul>	<ul style="list-style-type: none"> <li>• Remove valve bank. Dissassemble detent assembly &amp; repair.</li> </ul>
7. All 3 cutting units raise and lower too slowly.	<ul style="list-style-type: none"> <li>• Binding lift cylinders &amp; linkages. (lack of lubrication).</li> </ul>	<ul style="list-style-type: none"> <li>• Lubricate more frequently. Refer to page 22–23.</li> </ul>
8. Center cutting (#1) unit dropping too late or too early.	<ul style="list-style-type: none"> <li>• Maladjusted flow control valve.</li> </ul>	<ul style="list-style-type: none"> <li>• Readjust. See page 29.</li> </ul>
9. Front cutting units too high or too low when in raised (transport) position.	<ul style="list-style-type: none"> <li>• Maladjusted front lift cylinders.</li> </ul>	<ul style="list-style-type: none"> <li>• Readjust. See page 29.</li> </ul>
10. Cutting units lift too slowly.	<ul style="list-style-type: none"> <li>• Rear camshaft maladjusted.</li> <li>• #2 spool travel restricted by mow– lift switch.</li> <li>• Lift check poppet in #1 spool section stuck partially closed.</li> </ul>	<ul style="list-style-type: none"> <li>• Readjust. Refer to page 28.</li> <li>• Readjust switch. See page 30.</li> <li>• Remove lift check. Repair or replace.</li> </ul>
11. Cutting units drop during transport (between greens)	<ul style="list-style-type: none"> <li>• Internal lift cylinder leak.</li> <li>• Lift check plug seals in #1 spool body defective.</li> <li>• Detent stud loose in #1 spool.</li> <li>• #1 spool loose in valve body. Fluid bypassing.</li> </ul>	<ul style="list-style-type: none"> <li>• Raise units &amp; block them up. Remove lines from brazed tube &amp; remove blocks. Line which leaks fluid is attached to bad cylinder. Repair cylinder.</li> <li>• Remove lift check plugs. Replace O–ring assemblies.</li> <li>• Remove adjustment cap from #1 spool bonnet. Retighten stud with screwdriver.</li> <li>• Replace spool valve assembly.</li> </ul>

# TROUBLE SHOOTING

CONDITION	CAUSE	CORRECTION
12. Cutting units drop while machine is stored. (Overnight)	<ul style="list-style-type: none"> <li>• Normal condition.</li> </ul>	<ul style="list-style-type: none"> <li>• No repair necessary.</li> </ul>
13. One or more cutting units slow or no reel drive action.	<ul style="list-style-type: none"> <li>• Bed knife to reel adjustment too tight.</li> <li>• Tight reel bearings.</li> <li>• Rear camshaft maladjusted.</li> <li>• Poppet in relief cartridge off seat.</li>   <li>• Improper suction line(s) installed. Line collapsed.</li> <li>• Blockage in line fitting.</li> <li>• Excessively worn motor.</li>   <li>• Slow reel rpm — No. 1 C.U.</li>   <li>• Excessively worn pump.</li> <li>• Spool loose in valve body. Fluid leak past spool.</li> <li>• Steel pressure line damaged. Flow restricted. (Front cutting units only).</li> <li>• Low fluid level. (Will affect total machine performance).</li> </ul>	<ul style="list-style-type: none"> <li>• Readjust per instructions in Operator's Manual for cutting unit.</li> <li>• Repair as necessary.</li> <li>• Readjust. See page 28.</li> <li>• Remove and repair or replace relief cartridge.</li> <li>• Remove. Use genuine TORO parts only.</li> <li>• Repair as necessary.</li> <li>• Test to verify. Repair or replace motor.</li> <li>• Check lift cylinders for internal leakage. Repair or replace.</li> <li>• Test to verify. Repair or replace.</li> <li>• Replace spool valve assembly.</li>   <li>• Replace line.</li>   <li>• Add fluid. Refer to page 13.</li> </ul>
14. Center cutting unit (#1) reel operates in raised position.	<ul style="list-style-type: none"> <li>• Rear camshaft maladjusted. #3 spool too far out of body.</li> <li>• Restriction in brazed tube assembly on #3 spool section.</li> <li>• Restriction in valve return port between #3 spool section and R.H. cover.</li> </ul>	<ul style="list-style-type: none"> <li>• Readjust camshaft. See page 28.</li> <li>• Remove restriction.</li> <li>• Disassemble cover &amp; remove restriction.</li> </ul>
15. Reel drive pressure lines pulsates during operation.	<ul style="list-style-type: none"> <li>• Normal condition. Will vary from line to line.</li> </ul>	<ul style="list-style-type: none"> <li>• No repair necessary.</li> </ul>
16. Mow pedal won't stay down unless it is held down with foot. (#1 spool not in "detent").	<ul style="list-style-type: none"> <li>• Rear camshaft maladjusted.</li> <li>• Defective #1 spool detent.</li> </ul>	<ul style="list-style-type: none"> <li>• Readjust camshaft. See page 28.</li> <li>• Remove and repair.</li> </ul>
17. Leak detector alarm sounds.	<ul style="list-style-type: none"> <li>• Oil leak in system.</li> <li>• Low fluid level.</li> <li>• Oil contracting as it cools due to prolonged idling after heavy use.</li>   <li>• Solenoid valve fails to open.</li> </ul>	<ul style="list-style-type: none"> <li>• Repair as necessary.</li> <li>• Add fluid. Refer to page 13.</li> <li>• Turn engine off for approximately one minute, while the main hydraulic tank is refilled from auxiliary tank.</li> <li>• Repair as necessary.</li> </ul>

# TROUBLE SHOOTING

CONDITION	CAUSE	CORRECTION
18. Leak detector alarm fails to sound.	<ul style="list-style-type: none"> <li>• Leak detector float switch not operating properly.</li> <li>• Time delay operating incorrectly</li> <li>• Alarm not operating</li> <li>• Electrical malfunction</li> <li>• Solenoid valve fails to close.</li> </ul>	<ul style="list-style-type: none"> <li>• Check operation of leak detector float switch and wiring.</li> <li>• Replace.</li> <li>• Replace.</li> <li>• Test to verify. Repair as necessary.</li> <li>• Repair as necessary.</li> </ul>
<b>ELECTRICAL:</b>		
1. Engine starts (but should not) when shift selector is in gear.	<ul style="list-style-type: none"> <li>• Traction switch adjusted incorrectly or is defective.</li> </ul>	<ul style="list-style-type: none"> <li>• Refer to Traction Switch Maintenance, page 30.</li> </ul>
2. Engine starts (but should not) when mow pedal is depressed (reels engaged).	<ul style="list-style-type: none"> <li>• Mow/lift switch adjusted incorrectly or is defective.</li> </ul>	<ul style="list-style-type: none"> <li>• Refer to Mow/Lift Switch Maintenance, page 30.</li> </ul>
3. Engine starts (but should not) when operator is not on seat.	<ul style="list-style-type: none"> <li>• Seat switch adjusted incorrectly or is defective.</li> </ul>	<ul style="list-style-type: none"> <li>• Refer to Seat Switch Maintenance, page 29.</li> </ul>
4. Engine fails to crank, regardless of shift selector or mow pedal position.	<ul style="list-style-type: none"> <li>• Mow/lift switch, Traction switch and/or seat switch adjusted incorrectly or are defective.</li> <li>• Battery terminals corroded.</li> <li>• Mow/lift or traction switch wires are loose.</li> <li>• Battery is dead.</li> <li>• Solenoid is defective.</li> <li>• Ignition switch is defective.</li> <li>• Starter is defective.</li> <li>• Engine is seized.</li> <li>• Key Switch, Ammeter, or Solenoid wires loose.</li> <li>• Operator must be on seat.</li> </ul>	<ul style="list-style-type: none"> <li>• Refer to Traction Switch Maintenance, page 30.</li> <li>• Refer to Mow/Lift Switch Maintenance, page 30.</li> <li>• Refer to Seat Switch Maintenance, page 30.</li> <li>• Clean terminals.</li> <li>• Check wires and connect them properly.</li> <li>• Charge or replace battery.</li> <li>• Replace solenoid.</li> <li>• Replace ignition switch.</li> <li>• Replace or repair starter.</li> <li>• Repair engine.</li> <li>• Connect wires.</li> <li>• Sit on seat</li> </ul>
5. Engine cranks but does not start when shift selector and mow pedal are in neutral.	<ul style="list-style-type: none"> <li>• The cause of this problem is <u>unrelated</u> to interlock wiring system.</li> <li>• Rear camshaft maladjusted.</li> <li>• Engine or rectifier plug loose.</li> <li>• " I " terminal wire of key switch loose.</li> <li>• Engine trouble or out of gas.</li> </ul>	<ul style="list-style-type: none"> <li>• All interlock switches are OK; therefore, proceed to next cause.</li> <li>• Refer to Rear Camshaft Adjustment, Page 28.</li> <li>• Connect wire.</li> <li>• Connect wire.</li> <li>• Determine problem and correct.</li> </ul>

# TROUBLE SHOOTING

CONDITION	CAUSE	CORRECTION
6. Engine does not stop when mow pedal is depressed (reels engaged) as you get off the seat.	<ul style="list-style-type: none"> <li>• Mow/lift or seat switch adjusted incorrectly or are defective.</li> <li>• Seat return pin spring broken, missing or jammed down.</li> <li>• Seat pivot fails to rotate freely.</li> </ul>	<ul style="list-style-type: none"> <li>• Refer to Mow/Lift Switch Maintenance, page 30.</li> <li>• Refer to Seat Switch Maintenance, page 29.</li> <li>• Replace, loosen and lubricate parts so pin operates freely.</li> <li>• Loosen and lubricate seat pivot pin to assure free movement.</li> </ul>
7. Engine does not stop when shift selector is in gear as you get off the seat.	<ul style="list-style-type: none"> <li>• Traction or seat switch adjusted incorrectly or are defective.</li> <li>• Seat return pin spring broken, missing or jammed down.</li> <li>• Seat pivot fails to rotate freely.</li> </ul>	<ul style="list-style-type: none"> <li>• Refer to Traction Switch Maintenance, page 30.</li> <li>• Refer to Seat Switch Maintenance, page 29.</li> <li>• Replace, loosen and lubricate parts so pin operates freely.</li> <li>• Loosen and lubricate seat pivot pin to assure free movement.</li> </ul>
8. Engine does not continue to run when sitting on seat and shift selector is placed in gear or mow pedal is depressed.	<ul style="list-style-type: none"> <li>• Seat switch adjusted incorrectly or is defective.</li> <li>• Seat return pin spring jammed in up position.</li> </ul>	<ul style="list-style-type: none"> <li>• Refer to Seat Switch Maintenance, page 29.</li> <li>• Loosen and lubricate jammed parts so pin operates freely. Replace spring if defective.</li> </ul>
9. Engine stops regardless of shift selector or mow pedal position (even if both are in "Neutral") as you get off the seat.	<ul style="list-style-type: none"> <li>• Mow/lift switch and/or Traction switch adjusted incorrectly or are defective.</li> <li>• Mow/lift and/or traction switchwires are loose.</li> <li>• Traction switch extension plugwires are loose.</li> <li>• "B" terminal wire of key switch is loose.</li> </ul>	<ul style="list-style-type: none"> <li>• Refer to Switch Maintenance, pages 29 &amp; 30.</li> <li>• Connect wires.</li> <li>• Connect wires.</li> <li>• Connect wire.</li> </ul>
10. Engine seems to "cut-out" too much during transport. Note: Some "cut-out" is normal.	<ul style="list-style-type: none"> <li>• Seat is lifting off seat switch button too easily.</li> </ul>	<ul style="list-style-type: none"> <li>• Adjust seat switch: refer to Seat Switch Maintenance, page 29.</li> <li>• Instruct operator to sit back in seat during transport.</li> </ul>
11. Engine does not stop when ignition key is rotated to OFF position.	<ul style="list-style-type: none"> <li>• Connector off ignition switch.</li> <li>• Ignition switch is defective.</li> <li>• Wires in connector have shorted.</li> <li>• Engine timing or carburetor adjustment is incorrect.</li> </ul>	<ul style="list-style-type: none"> <li>• Push connector onto ignition switch terminals.</li> <li>• Replace ignition switch.</li> <li>• Repair affected wires.</li> <li>• Adjust carburetor or engine timing.</li> </ul>
12. Battery does not charge.	<ul style="list-style-type: none"> <li>• Defective or missing fuse.</li> <li>• Loose wire(s) in electrical system.</li> <li>• Defective regulator or engine charging circuit.</li> </ul>	<ul style="list-style-type: none"> <li>• Install new fuse.</li> <li>• Check all connections and make all necessary repairs.</li> <li>• Install new regulator or repair engine charging circuit.</li> </ul>

## STORAGE

If you wish to store the GREENSMaster 3100 for a long period of time, the following steps should be accomplished prior to storage:

1. Remove accumulations of dirt and old grass clippings. Sharpen reels and bedknives, if necessary; refer to Cutting Unit Operator's Manual. Use a rust preventive on bedknives and reel blades. Grease and oil all lubrication points; refer to Lubrication, page 22.
2. Block up wheels to remove tire weight.
3. Drain and replace hydraulic fluid and filter, inspect hydraulic lines and fittings. Replace, if necessary; refer to Changing Hydraulic Oil and Filter and Checking Hydraulic Lines and Hoses, pages 26 and 27.
4. All fuel should be removed from fuel tank; run the engine until it stops from lack of fuel. The small amount of fuel that remains in the bottom of the tank should be removed by absorbing it with a clean dry cloth. Replace fuel filter; refer to Fuel Filter Replacement, page 26.

5. While engine is still warm, drain oil from crankcase. Refill with fresh oil; refer to Changing Engine OIL and Filter, page 24.

6. Remove spark plugs, pour 1 ounce of SAE 30 oil into cylinders and crank slowly to distribute oil. Replace spark plugs; refer to Replacing Spark Plugs, page 26.

7. Clean dirt and chaff from cylinder, cylinder head fins and blower housing.

8. Remove the battery and charge it fully. Either store it on the shelf or on the machine. Leave the cables disconnected if stored on the machine. Store the battery in a cool atmosphere to avoid quick deterioration of the charge in the battery.

9. If possible, store in a warm, dry location.

## IDENTIFICATION AND ORDERING

### MODEL AND SERIAL NUMBERS

The GREENSMaster 3100 has two identification numbers: a model number and a serial number. The two numbers are stamped on a plate which is riveted on the right inside of the footrest support. In any correspondence concerning the GREENSMaster 3100, supply model and serial numbers to be sure that correct information and replacement parts are obtained.

To order replacement parts from an authorized TORO Distributor, supply the following information:

1. Model and serial numbers of the machine.
2. Part number, description and quantity of parts desired.

**Note:** Do not order by reference number if a parts catalog is being used; use the part number.

# The Toro Promise

## A ONE YEAR LIMITED WARRANTY

*The Toro Company promises to repair your TORO Product if defective in materials or workmanship. The following time periods from the date of purchase apply:*

Commercial Products . . . . . 1 Year

*The costs of parts and labor are included, but the customer pays the transportation costs on walk rotary mowers with cutting unit widths of less than 25".*

If you feel your TORO product is defective and wish to rely on The Toro Promise, the following procedure is recommended:

1. Contact your Authorized TORO Distributor or Commercial Dealer (the Yellow Pages of your telephone directory is a good reference source).
2. The TORO Distributor or Commercial Dealer will advise you on the arrangements that can be made to inspect and repair your product.
3. The TORO Distributor or Commercial Dealer will inspect the product and advise you whether the product is defective and, if so, make all repairs necessary to correct the defect without an extra charge to you.

If for any reason you are dissatisfied with the distributor's analysis of the defect or the service performed, you may contact us.

Write:

TORO Commercial Products Service Department  
8111 Lyndale Avenue South  
Minneapolis, Minnesota 55420

The above remedy of product defects through repair by an Authorized TORO Distributor or Commercial Dealer is the purchaser's sole remedy for any defect.

**THERE IS NO OTHER EXPRESS WARRANTY. ALL IMPLIED WARRANTIES OF MERCHANTABILITY AND FITNESS FOR USE ARE LIMITED TO THE DURATION OF THE EXPRESS WARRANTY.**

Some states do not allow limitations on how long an implied warranty lasts, so the above limitation may not apply to you.

This Warranty applies only to parts or components which are defective and does not cover repairs necessary due to normal wear, misuse, accidents, or lack of proper maintenance. Regular, routine maintenance of the unit to keep it in proper condition is the responsibility of the owner.

All warranty repairs reimbursable under the Toro Promise must be performed by an Authorized TORO Commercial Dealer or Distributor using Toro approved replacement parts.

Repairs or attempted repairs by anyone other than an Authorized TORO Distributor or Commercial Dealer are not reimbursable under the Toro Promise. In addition, these unauthorized repair attempts may result in additional malfunctions, the correction of which is not covered by warranty.

**THE TORO COMPANY IS NOT LIABLE FOR INDIRECT, INCIDENTAL OR CONSEQUENTIAL DAMAGES IN CONNECTION WITH THE USE OF THE PRODUCT INCLUDING ANY COST OR EXPENSE OF PROVIDING SUBSTITUTE EQUIPMENT OR SERVICE DURING PERIODS OF MALFUNCTION OR NON-USE.**

Some states do not allow the exclusion or limitation of incidental or consequential damages, so the above limitation or exclusion may not apply to you.

This warranty gives you specific legal rights, and you may also have other rights which vary from state to state.

### COUNTRIES OTHER THAN THE UNITED STATES OR CANADA

Customers who have purchased TORO products exported from the United States or Canada should contact their TORO Distributor (Dealer) to obtain guarantee policies for your country, province or state. If for any reason

you are dissatisfied with your Distributor's service or have difficulty obtaining guarantee information, contact the TORO importer. If all other remedies fail, you may contact us at The Toro Company.