



Power Max 724/826 OE Snowthrower

Model No. 37772—Serial No. 315000001 and Up

Model No. 37775—Serial No. 315000001 and Up

Operator's Manual

⚠ WARNING

CALIFORNIA Proposition 65 Warning

This product contains a chemical or chemicals known to the State of California to cause cancer, birth defects, or reproductive harm.

The engine exhaust from this product contains chemicals known to the State of California to cause cancer, birth defects, or other reproductive harm.

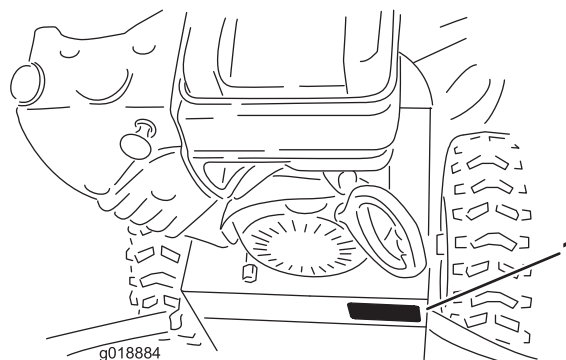


Figure 1

1. Model and serial number location

Model No.	_____
Serial No.	_____

Introduction

This machine is intended to be used by residential homeowners or professional, hired operators. It is designed for removing snow from paved surfaces, such as driveways and sidewalks, and other surfaces for traffic on residential or commercial properties. It is not designed for removing materials other than snow, nor is a model with a pivoting scraper designed for clearing off gravel surfaces.

Read this information carefully to learn how to operate and maintain your machine properly and to avoid injury and machine damage. You are responsible for operating the machine properly and safely.

You may contact Toro directly at www.Toro.com for machine and accessory information, help finding a dealer, or to register your machine.

Whenever you need service, genuine Toro parts, or additional information, contact an Authorized Service Dealer or Toro Customer Service and have the model and serial numbers of your machine ready. Figure 1 identifies the location of the model and serial numbers on the machine. Write the numbers in the space provided.

This manual identifies potential hazards and has safety messages identified by the safety alert symbol (Figure 2), which signals a hazard that may cause serious injury or death if you do not follow the recommended precautions.



Figure 2

1. Safety alert symbol

This manual uses 2 words to highlight information. **Important** calls attention to special mechanical information and **Note** emphasizes general information worthy of special attention.

Contents

Introduction	1
Safety	2
Training	3
Preparation.....	3
Operation.....	3
Clearing a Clogged Discharge Chute	4
Maintenance and Storage.....	4
Toro Snowthrower Safety	4
Safety and Instructional Decals	5

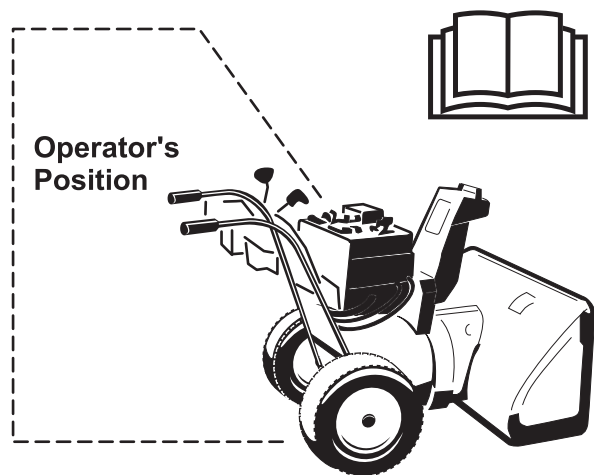


Setup	7	Operating Tips	18
1 Installing the Upper Handle.....	7	Maintenance	19
2 Installing the Traction Control Linkage	8	Recommended Maintenance Schedule(s)	19
3 Installing the Chute.....	9	19
4 Installing the Chute Control Rod.....	10	Preparing for Maintenance.....	19
5 Checking the Engine Oil Level.....	10	Checking the Engine Oil Level	19
6 Checking the Tire Pressure.....	11	Checking and Adjusting the Skids and	
7 Checking the Skids and Scraper	11	Scraper.....	20
8 Checking the Traction Drive Operation.....	11	Checking and Adjusting the Traction Cable	20
Product Overview	12	Checking and Adjusting the Auger/Impeller	
Operation	13	Cable	21
Freewheeling or Using the Self-propel Drive.....	13	Checking the Auger Gearbox Oil Level.....	21
Filling the Fuel Tank	13	Changing the Engine Oil	22
Starting the Engine	14	Lubricating the Hex Shaft.....	22
Stopping the Engine	16	Replacing the Spark Plug	23
Operating the Traction Drive	16	Adjusting the Discharge Chute Latch	24
Operating the Speed Selector	16	Replacing the Drive Belts.....	24
Operating the Auger/Impeller Drive.....	17	Storage	24
Operating the Quick Stick™	17	Preparing the Machine for Storage	24
Unclogging the Discharge Chute	18	Removing the Machine from Storage.....	24
Preventing Freeze-up.....	18	Troubleshooting	25

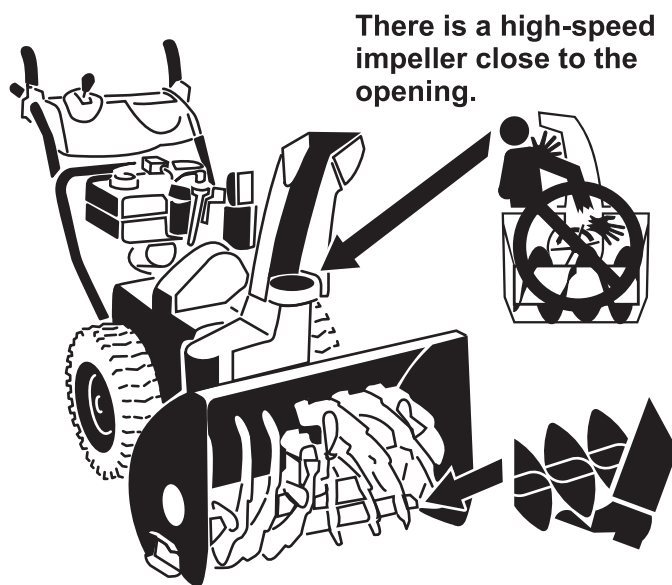
Safety

Before Operating

- Read and understand the contents of this manual before operating the snowthrower.
- Become familiar with all controls and know how to stop the engine quickly.



Caution: Improper use may result in loss of fingers, hands, or feet.



The low-speed auger has a moving pinch point close to the opening.

This machine meets or exceeds the B71.3 specifications of the American National Standards Institute in effect at the time of production.

Read and understand the contents of this manual before the engine is ever started.

▲This is the safety alert symbol. It is used to alert you to potential personal injury hazards. Obey all safety messages that follow this symbol to avoid possible injury or death.

Improperly using or maintaining this machine could result in injury or death. To reduce this potential, comply with the following safety instructions.

Training

- Read, understand and follow all instructions on the machine and in the manual(s) before operating this machine. Be thoroughly familiar with the controls and the proper use of the machine. Know how to stop the machine and disengage the controls quickly.
- Never allow children to operate the machine. Never allow adults to operate the machine without proper instruction.
- Keep the area of operation clear of all persons, particularly small children.
- Exercise caution to avoid slipping or falling, especially when operating the machine in reverse.

Preparation

- Thoroughly inspect the area where the machine is to be used and remove all doormats, sleds, boards, wires, and other foreign objects.
- Disengage all clutches and shift into neutral before starting the engine.
- Do not operate the machine without wearing adequate winter garments. Avoid loose fitting clothing that can get caught in moving parts. Wear footwear that will improve footing on slippery surfaces.
- Handle fuel with care; it is highly flammable.
 - Use an approved fuel container.
 - Never add fuel to a running engine or hot engine.
 - Fill fuel tank outdoors with extreme care. Never fill fuel tank indoors.
 - Never fill containers inside a vehicle or on a truck or trailer bed with a plastic liner. Always place containers on the ground, away from your vehicle, before filling.
 - When practical, remove gas-powered machinery from the truck or trailer and refuel it on the ground. If this is not possible, then refuel such machinery on a trailer with a portable container, rather than from a gasoline dispenser nozzle.
 - Keep the nozzle in contact with the rim of the fuel tank or container opening at all times, until refueling is complete. Do not use a nozzle lock-open device.
 - Replace gasoline cap securely and wipe up spilled fuel.
 - If fuel is spilled on clothing, change clothing immediately.
- Use extension cords and receptacles as specified by the manufacturer for all machines with electric starting motors.
- Adjust the collector housing to clear gravel or crushed rock surface.
- Never attempt to make any adjustments while the engine is running (except when specifically recommended by manufacturer).
- Always wear safety glasses or eye shields during operation or while performing an adjustment or repair to protect

eyes from foreign objects that may be thrown from the machine.

Operation

- Do not put hands or feet near or under rotating parts. Keep clear of the discharge opening at all times.
- Exercise extreme caution when operating on or crossing gravel drives, walks, or roads. Stay alert for hidden hazards or traffic.
- After striking a foreign object, stop the engine, remove the ignition key, thoroughly inspect the machine for any damage, and repair the damage before restarting and operating the machine.
- If the machine should start to vibrate abnormally, stop the engine and check immediately for the cause. Vibration is generally a warning of trouble.
- Stop the engine whenever you leave the operating position, before unclogging the auger/impeller housing or discharge chute, and when making any repairs, adjustments or inspections.
- When cleaning, repairing or inspecting the machine, stop the engine and make certain the auger/impeller and all moving parts have stopped. Disconnect the spark plug wire and keep the wire away from the plug to prevent someone from accidentally starting the engine.
- Do not run the engine indoors, except when starting the engine and for transporting the machine in or out of the building. Open the outside doors; exhaust fumes are dangerous.
- Exercise extreme caution when operating on slopes.
- Never operate the machine without proper guards, and other safety protective devices in place and working.
- Never direct the discharge toward people or areas where property damage can occur. Keep children and others away.
- Do not overload the machine capacity by attempting to clear snow at too fast a rate.
- Never operate the machine at high transport speeds on slippery surfaces. Look behind and use care when operating in reverse.
- Disengage power to the auger/impeller when machine is transported or not in use.
- Use only attachments and accessories approved by the manufacturer of the machine (such as wheel weights, counterweights, or cabs).
- Never operate the machine without good visibility or light. Always be sure of your footing, and keep a firm hold on the handles. Walk; never run.
- Never touch a hot engine or muffler.

Clearing a Clogged Discharge Chute

⚠ WARNING

Hand contact with the rotating rotor blades inside the discharge chute is the most common cause of injury associated with machines. Never use your hand to clean out the discharge chute.

To clear the chute:

- **Shut the engine off!**
- Wait 10 seconds to be sure the rotor blades have stopped rotating.
- Always use the cleanout tool mounted on the snowthrower, not your hands.

Maintenance and Storage

- Check all fasteners at frequent intervals for proper tightness to be sure the machine is in safe working condition.
- Never store the machine with fuel in the fuel tank inside a building where ignition sources are present such as hot water heaters, space heaters, or clothes dryers. Allow the engine to cool before storing in any enclosure.
- Always refer to the *Operator's Manual* for important details if the machine is to be stored for an extended period.
- Maintain or replace safety and instruction labels, as necessary.
- Run the machine a few minutes after throwing snow to prevent freeze-up of the rotor blades.

Toro Snowthrower Safety

The following list contains safety information specific to Toro machines or other safety information that you must know.

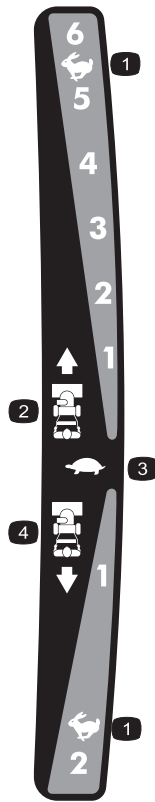
- **Rotating auger/impeller can amputate or injure fingers or hands.** Stay behind the handles and away from the discharge opening while operating the machine. **Keep your face, hands, feet, and any other part of your body or clothing away from moving or rotating parts.**
- Before adjusting, cleaning, inspecting, troubleshooting, or repairing the machine, **stop the engine, remove the key, and wait for all moving parts to stop. Disconnect the wire from the spark plug and keep it away from the spark plug to prevent someone from accidentally starting the engine.**
- **Before** leaving the operating position, stop the engine, remove the key, and wait for all moving parts to stop.
- To unclog the discharge chute, stay in the operating position and release the left hand (traction) lever. While running the auger/impeller, push down on the handles to

raise the front of the machine a few inches (centimeters) off the pavement. Then lift the handles quickly to bump the front of the machine on the pavement. Repeat if necessary until a stream of snow comes out the discharge chute.

- If you cannot unclog the discharge chute by bumping the front of the machine, **stop the engine, wait for all moving parts to stop, and use the cleanout tool; never use your hand.**
- If a shield, safety device, or decal is damaged, illegible, or lost, repair or replace it before beginning operation.
- **Do not** smoke while handling gasoline.
- **Do not** use the machine on a roof.
- Do not touch the engine while it is running or soon after it has stopped because the engine may be hot enough to cause a burn.
- Perform only those maintenance instructions described in this manual. Before performing any maintenance, service, or adjustment, stop the engine, remove the key, and disconnect the wire from the spark plug. If major repairs are ever needed, contact your Authorized Service Dealer.
- Do not change the governor settings on the engine.
- When storing the machine for more than 30 days, drain the fuel from the fuel tank to prevent a potential hazard. Store fuel in an approved fuel container. Remove the key from the ignition switch before storing the machine.
- Purchase only genuine Toro replacement parts and accessories.

Safety and Instructional Decals

Important: Safety and instruction decals are located near areas of potential danger. Replace damaged decals.



121-6823

- | | |
|-------------------|-------------------|
| 1. Fast | 3. Slow |
| 2. Forward speeds | 4. Reverse speeds |



121-6817

1. Cutting dismemberment, impeller and cutting dismemberment, auger hazards—keep bystanders a safe distance from the snowthrower.



121-1239

Reorder part no. 121-1215



121-1240

Reorder part no. 120-7194

- | | |
|------------------------------------------------------------------------------------------------------------------------------------------------------------------------|----------------------------------------------------------------------------------------------------------------------------------------------------------------------|
| 1. Traction drive—squeeze the lever to engage; release the lever to disengage. | 4. Cutting dismemberment hazard, impeller—keep away from moving parts; remove the ignition key and read the instructions before servicing or performing maintenance. |
| 2. Warning—read the <i>Operator's Manual</i> . | 5. Thrown object hazard—keep bystanders a safe distance from the snowthrower. |
| 3. Cutting/dismemberment hazard, impeller—do not place your hand in the chute; stop the engine before leaving the operating position, use the tool to clear the chute. | 6. Auger/impeller drive—squeeze the lever to engage; release the lever to disengage. |



Briggs & Stratton Part No. 273676

1. Stop
2. Slow
3. Fast



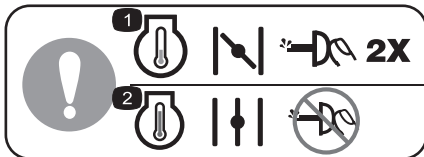
Briggs & Stratton Part No. 275949

1. Choke on (Choke)
2. Choke off (Run)



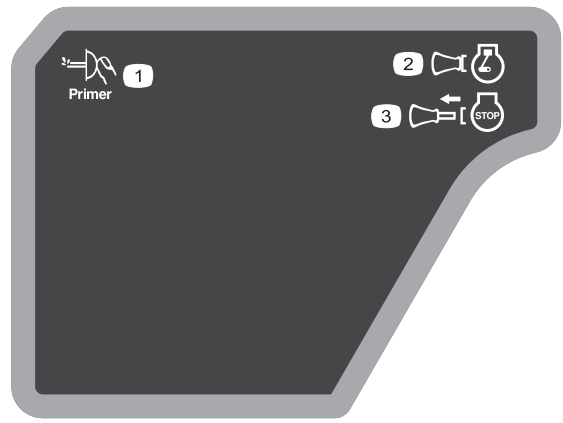
Briggs & Stratton Part No. 276925

1. Warning—read the *Operator's Manual*.
2. Warning—fire hazard.
3. Warning—toxic gas inhalation hazard.
4. Warning—hot surface/burn hazard.



Briggs & Stratton Part No. 277566

1. When starting a cold engine, close the choke and press the primer two times.
2. When starting a warm engine, open the choke and do not press the primer.



Briggs & Stratton Part No. 277588

1. Primer
2. Ignition key in (Engine—Run)
3. Ignition key out (Engine—Stop)



Briggs & Stratton Part No. 278866

1. Fuel—On
2. Fuel—Off

Setup

Loose Parts

Use the chart below to verify that all parts have been shipped.

Procedure	Description	Qty.	Use
1	Handle bolts	2	Install the upper handle.
	Curved washers	2	
	Locknuts	2	
2	Hairpin cotter	2	Install the traction control linkage.
	Flat washer	3	
3	Nut	2	Install the chute.
	Carriage bolt	2	
	Flat washer	2	
4	Carriage bolts	2	Install the chute control rod.
	Locknuts	2	
5	No parts required	–	Check the engine oil level.
6	No parts required	–	Check the tire pressure.
7	No parts required	–	Check the skids and scraper.
8	No parts required	–	Check the operation of the traction drive.

1

Installing the Upper Handle

Parts needed for this procedure:

2	Handle bolts
2	Curved washers
2	Locknuts

Procedure

1. Lift and rotate the upper handle and position it over the lower handle (Figure 3).
2. Install 2 handle bolts, 2 curved washers, and 2 locknuts in the lower handle holes (Figure 3).

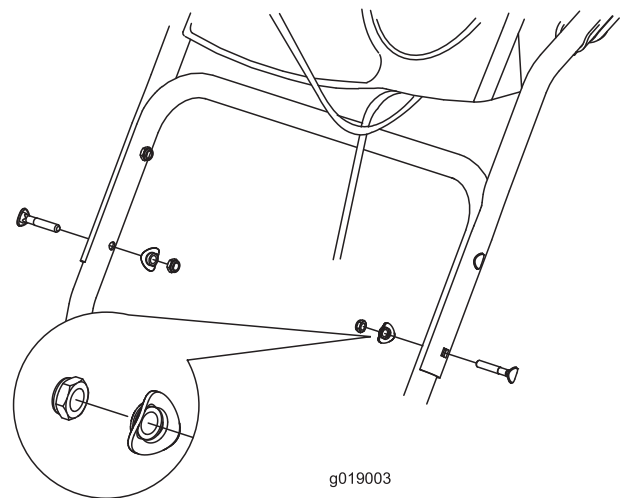


Figure 3

2

Installing the Traction Control Linkage

Parts needed for this procedure:

2	Hairpin cotter
3	Flat washer

Procedure

1. Insert the lower end of the rod into the lower link arm so that the bent end of the speed control rod faces rearward (Figure 4).

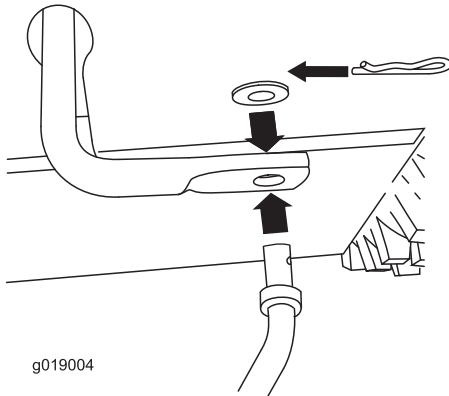


Figure 4

2. Secure the lower end of the speed control rod with a flat washer and a hairpin cotter (Figure 4).
3. Place a flat washer on the trunnion (Figure 5).

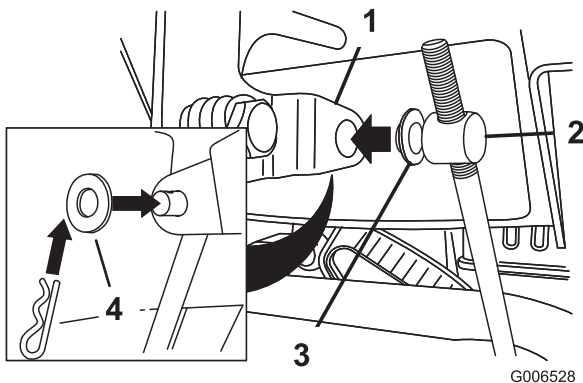


Figure 5

- | | |
|-------------------------|-----------------|
| 1. Speed selector lever | 3. Inner washer |
| 2. Trunnion | 4. Outer washer |

4. Shift the speed selector lever into Position R2.
5. Rotate the lower link arm fully upward (counterclockwise) (Figure 6).

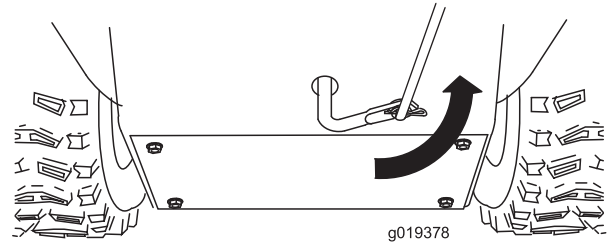


Figure 6

6. Pull up on the speed control rod and insert the trunnion into the hole in the speed selector lever (Figure 5).

Note: If the trunnion does not fit into the hole when you lift up on the speed control rod, rotate the trunnion upward or downward on the speed control rod until it fits.

7. Secure the trunnion and upper end of the speed control rod with a washer and a hairpin cotter.

Note: For easier installation, look down through the opening in the speed selector (Figure 7).

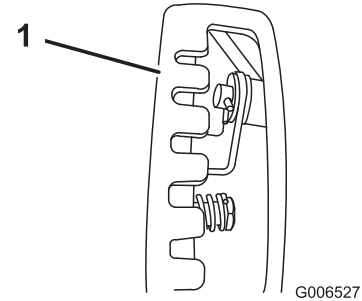


Figure 7

1. Speed selector

3

Installing the Chute

Parts needed for this procedure:

2	Nut
2	Carriage bolt
2	Flat washer

Procedure

1. Place the chute on the frame and the align the discharge chute mount to the chute support.

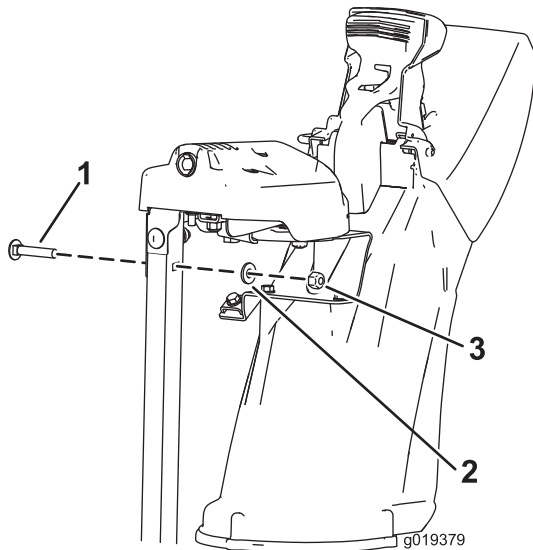


Figure 8

1. Carriage bolt
2. Flat washer
3. Nut

-
2. Secure the discharge chute mount using 2 bolts, 2 nuts, and 2 flat washers.

4

Installing the Chute Control Rod

Parts needed for this procedure:

2	Carriage bolts
2	Locknuts

Procedure

1. Unwrap the Quick Stick and rotate it so that it is upright and in the center.
2. Hold the blue trigger cap down and pull the lever fully rearward.
Note: The discharge chute and deflector should face forward. If they do not, hold the blue trigger cap down (but do not move the Quick Stick) and rotate the discharge chute until they do.
3. Align the flattened back end of the long chute control rod with the flattened front end of the short rod that extends from the control panel so that they nest together (Figure 9).

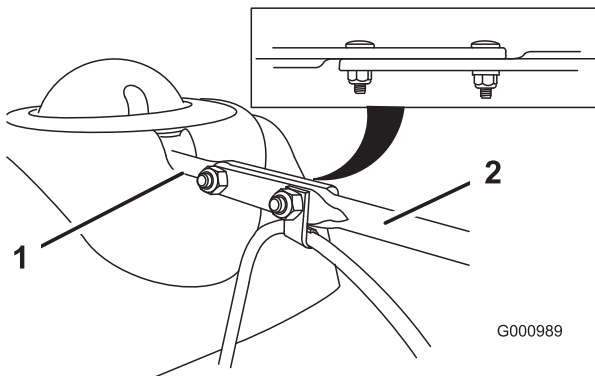


Figure 9

1. Short rod
2. Long chute control rod

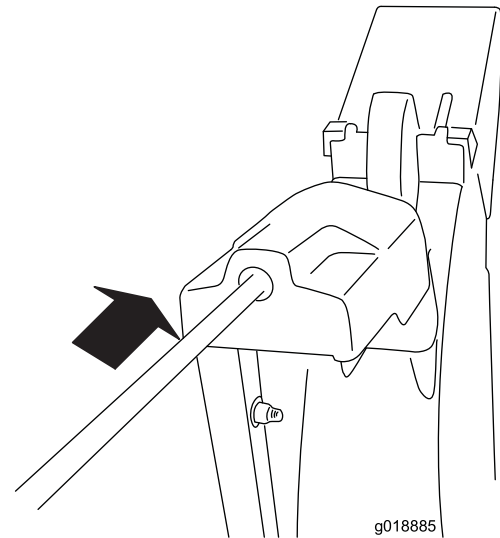


Figure 10

5. Align the holes in the nested ends of the rods and insert 2 carriage bolts (in the loose parts bag) through the short rod from the left side of the machine (from the operating position).
6. Insert the cable clip that supports the deflector cable onto the forward carriage bolt, and secure the carriage bolts with locknuts from the loose parts bag (Figure 11).

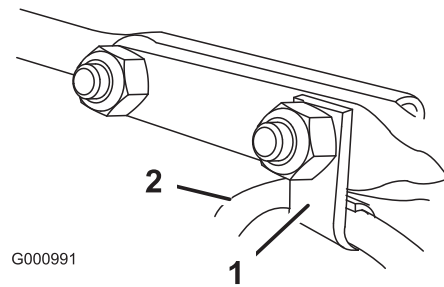


Figure 11

1. Cable clip
2. Deflector cable

4. Insert the front end of the rod into the opening in the back of the chute gear cover until it slides into the chute gear (Figure 10).

5

Checking the Engine Oil Level

No Parts Required

Procedure

Your machine comes with oil in the engine crankcase.

Note: Before starting the engine, check the oil level and add oil if necessary.

Use automotive detergent oil with an API service classification of SF, SG, SH, SJ, SL, or higher. Refer to your engine owner's manual.

Use Figure 12 below to select the best oil viscosity for the outdoor temperature range expected:

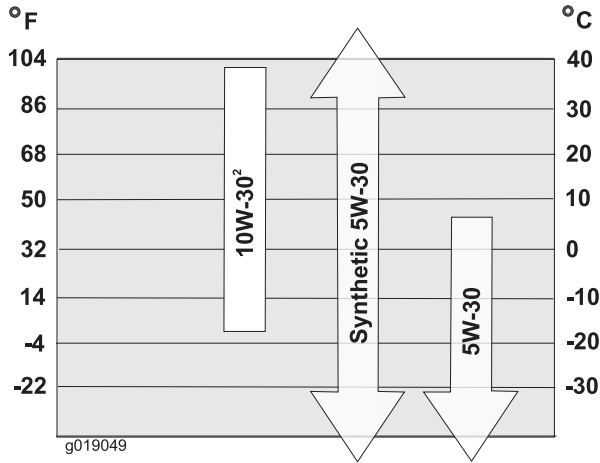


Figure 12

Engine Oil Capacities

Model	Engine Oil Capacity
37771	18 to 20 oz. (0.53 to 0.59 l)
37772	

1. Remove the dipstick and **slowly** pour oil into the oil fill tube to raise the oil level to the Full mark on the dipstick. **Do not overfill.** (Figure 13).

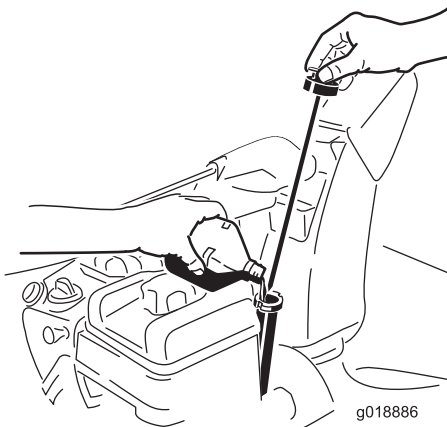


Figure 13

2. Install the dipstick securely.

Note: Do not spill oil around the oil fill tube; oil could leak onto traction parts and cause the traction to slip.

6

Checking the Tire Pressure

No Parts Required

Procedure

The tires are overinflated at the factory for shipping. Reduce the pressure equally in both tires to between 17 and 20 psi (116 and 137 kPa).

7

Checking the Skids and Scraper

No Parts Required

Procedure

Refer to Checking and Adjusting the Skids and Scraper in Maintenance.

8

Checking the Traction Drive Operation

No Parts Required

Procedure

⚠ CAUTION

If the traction drive is not properly adjusted, the machine may move in the direction opposite of what you intended, causing injury and/or property damage.

Carefully check the traction drive and adjust it properly, if necessary.

Note: To check the traction drive operation, the self-propel feature must be engaged by ensuring the wheels are pinned in the axle. Refer to (page).

1. Start the engine; refer to Starting the Engine.
2. Move the speed selector to Position R1; refer to Operating the Speed Selector.

3. Squeeze the left hand (traction) lever to the hand-grip (Figure 14).

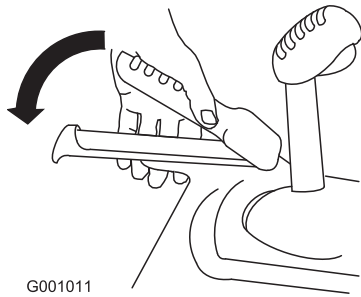


Figure 14

The machine should move rearward. If the machine does not move or moves forward, complete the following:

- A. Release the traction lever and stop the engine.
 - B. Disconnect the trunnion from the speed selector lever (Figure 5).
 - C. Turn the trunnion downward (clockwise) on the speed control rod (Figure 5).
 - D. Connect the trunnion to the speed selector lever (Figure 5).
4. Release the traction lever.
 5. Move the speed selector to the Position 1; refer to Operating the Speed Selector.
 6. Squeeze the left hand (traction) lever to the hand-grip (Figure 14).

The machine should move forward. If the machine does not move or moves rearward, complete the following:

- A. Release the traction lever and stop the engine.
 - B. Disconnect the trunnion from the speed selector lever (Figure 5).
 - C. Turn the trunnion upward (counterclockwise) on the speed control rod (Figure 5).
 - D. Connect the trunnion to the speed selector lever (Figure 5).
7. If you made any adjustments, repeat this procedure until no adjustments are required.

Important: If the machine moves when the traction lever is in the released position, check the traction cable (refer to **Checking and Adjusting the Traction Cable**) or take the machine to an Authorized Service Dealer for service.

Product Overview

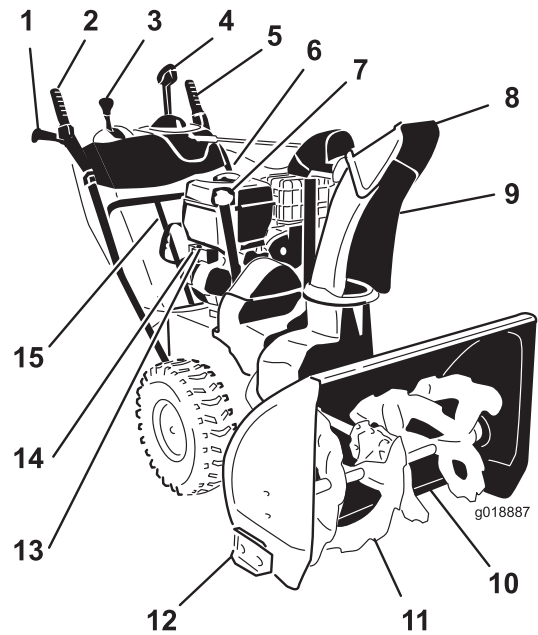


Figure 15

- | | |
|-----------------------------------------|------------------------------|
| 1. Hand-grip (2) | 9. Discharge chute |
| 2. Auger/impeller lever | 10. Scraper |
| 3. Speed selector lever | 11. Auger |
| 4. Quick Stick™ discharge chute control | 12. Skid (2) |
| 5. Traction lever | 13. Electric starter button |
| 6. Fuel tank cap | 14. Electric starter plug-in |
| 7. Engine oil fill tube/dipstick | 15. Snow cleanout tool |
| 8. Chute deflector | |

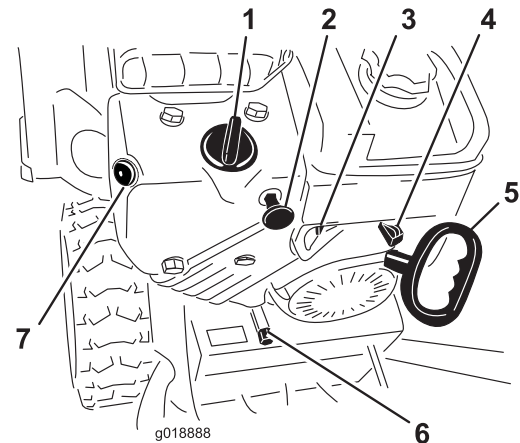


Figure 16

- | | |
|-----------------------|-------------------|
| 1. Choke | 5. Recoil starter |
| 2. Ignition switch | 6. Oil drain plug |
| 3. Fuel shutoff valve | 7. Primer |
| 4. Throttle | |

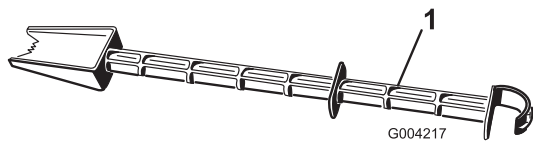


Figure 17

1. Snow cleanout tool (attached to the handle)

Operation

Note: Determine the left and right sides of the machine from the normal operating position.

Freewheeling or Using the Self-propel Drive

You can operate the snowthrower with the self-propel feature engaged or disengaged (freewheeling).

To freewheel, slide the wheels inward and insert the axle pins through the axle holes, but not through the wheel hubs (Figure 18).

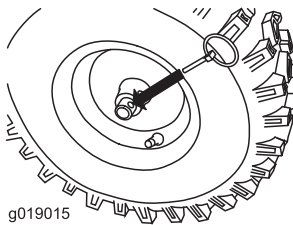


Figure 18

To self-propel, axle pin through the holes in the wheel hubs and the inner axle holes (Figure 19).

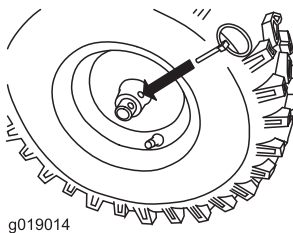


Figure 19

Filling the Fuel Tank

⚠ DANGER

Gasoline is extremely flammable and explosive. A fire or explosion from gasoline can burn you and others.

- To prevent a static charge from igniting the gasoline, place the container and/or machine on the ground before filling, not in a vehicle or on an object.
- Fill the tank outdoors when the engine is cold. Wipe up spills.
- Do not handle gasoline when smoking or around an open flame or sparks.
- Store gasoline in an approved fuel container, out of the reach of children.
- For best results, use only clean, fresh, unleaded gasoline with an octane rating of 87 or higher ((R+M)/2 rating method).
- Oxygenated fuel with up to 10% ethanol or 15% MTBE by volume is acceptable.
- **Do Not** use ethanol blends of gasoline (such as E15 or E85) with more than 10% ethanol by volume. Performance problems and/or engine damage may result which may not be covered under warranty.
- **Do Not** use gasoline containing methanol.
- **Do Not** store fuel either in the fuel tank or fuel containers over the winter unless a fuel stabilizer is used.
- **Do Not** add oil to gasoline.

Important: To reduce starting problems, add fuel stabilizer to the fuel all season, mixing it with gasoline less than 30 days old. *Do not add oil to the gasoline.*



Figure 20

1. 1-1/2 inch (3.8 cm)
-

Starting the Engine

1. Check the engine oil level. Refer to Checking the Engine Oil Level in Maintenance.
2. Turn the fuel shutoff valve 1/4 turn counterclockwise to open it (Figure 21).

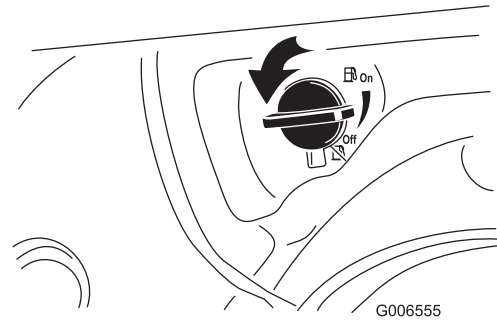


Figure 21

3. Insert the ignition key (Figure 22).

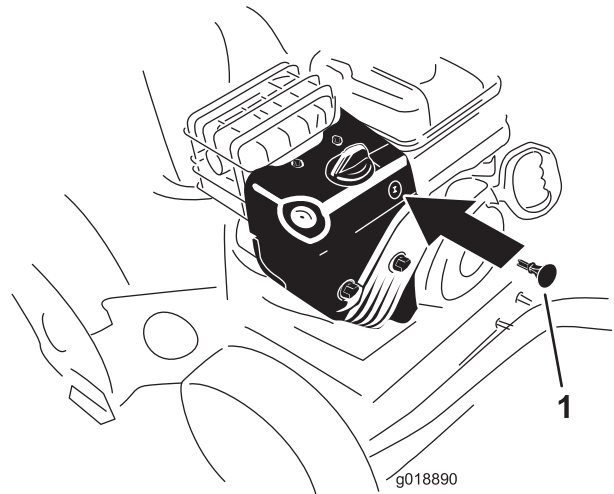


Figure 22

1. Ignition key
-

- Firmly push in the primer with your thumb 2 times (15°F or -9°C or above) or 4 times (below 15°F or -9°C), holding the primer in for a second before releasing it each time (Figure 23).

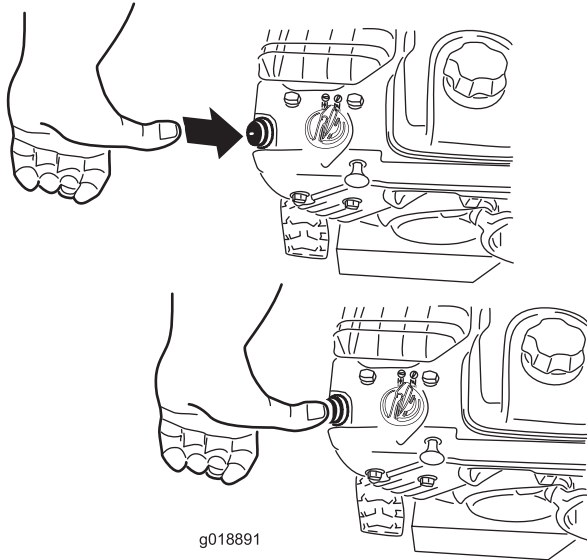


Figure 23

- Rotate the choke to the Choke position (Figure 24).

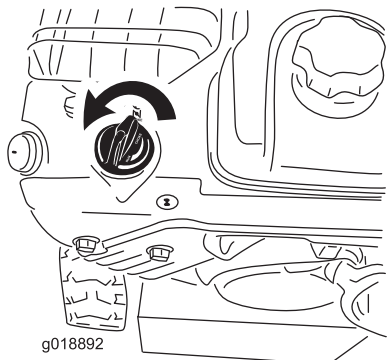


Figure 24

- Move the throttle to the Fast position (Figure 25).

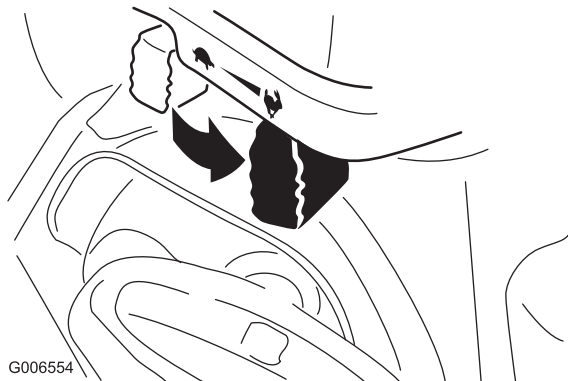


Figure 25

- Start the machine pulling the recoil starter or pressing the electric-starter button (Figure 26).

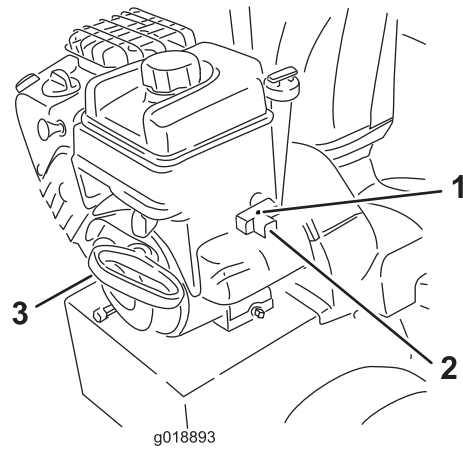


Figure 26

- | | |
|-----------------------------|-------------------|
| 1. Electric-starter button | 3. Recoil starter |
| 2. Electric starter plug-in | |

Note: To use the electric starter, connect a power cord to the electric starter plug-in first and then to a power outlet. Use only a UL-listed, 16-gauge extension cord recommended for outdoor use that is not longer than 50 feet (15 m).

⚠ WARNING

The electrical cord can become damaged, causing a shock or fire.

Thoroughly inspect the electrical cord before using the machine. If the cord is damaged, do not operate the machine. Replace or repair the damaged cord immediately. Contact an Authorized Service Dealer for assistance.

Important: To prevent damaging the electric starter, run it in short cycles (5 seconds maximum, then wait one minute before trying to start it again). If the engine still does not start, take the machine to an Authorized Service Dealer for service.

- Disconnect the power cord from the power outlet first and then from the machine (electric start only).
- Allow the engine to warm up for several minutes, move the choke toward the Run position. Wait for the engine to run smoothly before each choke adjustment.

⚠ CAUTION

If you leave the machine plugged into a power outlet, someone can inadvertently start the machine and injure people or damage property.

Unplug the power cord whenever you are not starting the machine.

Stopping the Engine

1. Move the throttle to the Slow position, and then to the Stop position (Figure 27).



Figure 27

2. Wait for all moving parts to stop before leaving the operating position.
3. Remove the ignition key.
4. Close the fuel shutoff valve by rotating it clockwise (Figure 28).

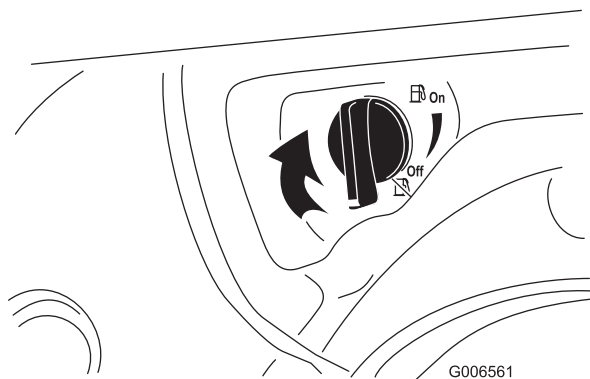


Figure 28

5. Pull the recoil starter 3 or 4 times. This helps prevent the recoil starter from freezing up.

Operating the Traction Drive

⚠ CAUTION

If the traction drive is not properly adjusted, the machine may move in the direction opposite of what you intended, causing injury and/or property damage.

Carefully check the traction drive and adjust it properly, if necessary; refer to Checking the Traction Drive Operation in Setup for more information.

Important: If the machine moves when the traction lever is in the released position, check the traction cable (refer to Checking and Adjusting the Traction Cable) or take the machine to an Authorized Service Dealer for service.

Important: To operate the traction drive, you must operate the machine with the self-propel feature engaged. Refer to Freewheeling or Using the Self-propel Drive.

1. To engage the traction drive, squeeze the left hand (traction) lever to the handgrip (Figure 29).

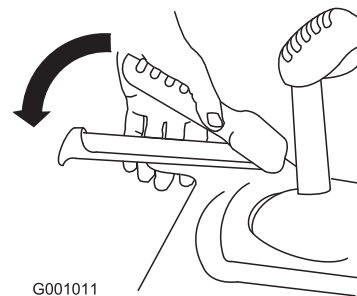


Figure 29

2. To stop the traction drive, release the traction lever.

Operating the Speed Selector

The speed selector has 6 forward and 2 reverse gears. To change speeds, release the traction lever and shift the speed selector lever to the desired position (Figure 30). The lever locks in a notch at each speed selection.

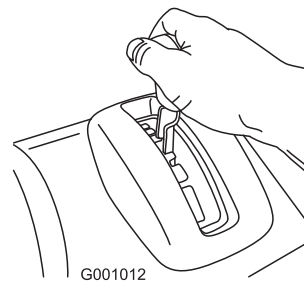


Figure 30

Operating the Auger/Impeller Drive

1. To engage the auger/ impeller drive, squeeze the right hand (auger/ impeller) lever to the handgrip (Figure 31).

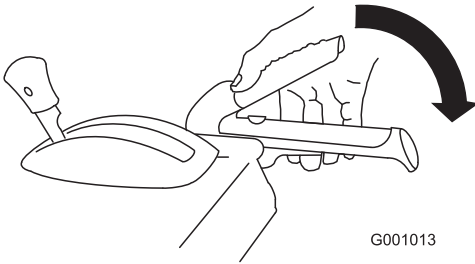


Figure 31

2. To stop the auger and impeller, release the right hand lever.

Important: When you engage both the auger/impeller lever and the traction lever, the traction lever locks the auger/impeller lever down, freeing your right hand. To release both levers, simply release the left hand (traction) lever.

3. If the auger and impeller continue to rotate when you release the auger/impeller lever, do not operate the machine. Check the auger/impeller cable (refer to Checking and Adjusting the Auger/Impeller Cable) and adjust it if necessary. Otherwise, take the machine to an Authorized Dealer for service.

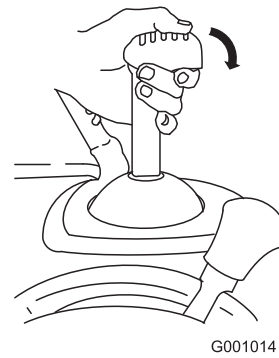
⚠ WARNING

If the auger and impeller continue to rotate when you release the auger/impeller lever, do not operate the machine, as you could seriously injure yourself or others.

Take it to an Authorized Service Dealer for service.

Operating the Quick Stick™

Hold the blue trigger cap down to use the Quick Stick to move the discharge chute and the chute deflector. Release the trigger cap to lock the discharge chute and chute deflector into position (Figure 32).

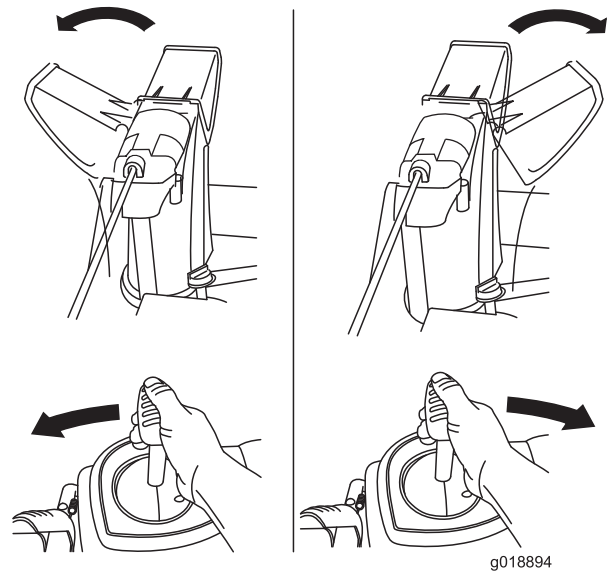


G001014

Figure 32

Moving the Discharge Chute

Hold the blue trigger cap down and move the Quick Stick to the left to move the discharge chute to the left; move the Quick Stick to the right to move the discharge chute to the right (Figure 33).



g018894

Figure 33

- If the chute does not move, refer to Adjusting the Discharge Chute Latch.
- If the chute does not turn as far to the left as it does to the right, ensure that the cable is routed to the inside of the handles. Refer to Installing the Upper Handle.
- If the chute does not lock into place when you release the trigger cap, refer to Adjusting the Discharge Chute Latch.

Moving the Chute Deflector

Hold the blue trigger cap down and move the Quick Stick forward to lower the chute deflector; move it rearward to raise the chute deflector (Figure 34).

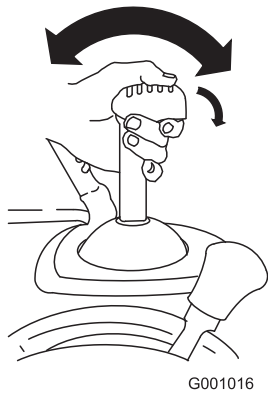


Figure 34

Unclogging the Discharge Chute

⚠ WARNING

If the auger/impeller is running but there is no snow coming out of the discharge chute, the discharge chute may be clogged.

Never use your hands to clear a clogged discharge chute. This could result in personal injury.

- To unclog the discharge chute, stay in the operating position and release the left hand (traction) lever. While running the auger/impeller, push down on the handles to raise the front of the machine a few inches (centimeters) off the pavement. Then lift the handles quickly to bump the front of the machine on the pavement. Repeat if necessary until a stream of snow comes out the discharge chute.
- If you cannot unclog the discharge chute by bumping the front of the machine, **stop the engine, wait for all moving parts to stop, and use the snow cleanout tool; never use your hand.**

Important: Unclogging the discharge chute by bumping the front of the machine on the pavement may cause the skids to move. Adjust the skids and tighten the skid bolts securely.

Preventing Freeze-up

- In snowy and cold conditions, some controls and moving parts may freeze. **Do not use excessive force when trying to operate frozen controls.** If you have difficulty operating any control or part, start the engine and let it run for a few minutes.
- After using the machine, let the engine run for a few minutes to prevent moving parts from freezing. Engage the auger/impeller to clear any remaining snow from inside the housing. Rotate the Quick Stick to prevent it

from freezing. Stop the engine, wait for all moving parts to stop, and remove all ice and snow from the machine.

- With the engine off, pull the recoil starter handle several times and push the electric-starter button once to prevent the recoil and electric starters from freezing up.

Operating Tips

⚠ DANGER

When the machine is in operation, the impeller and auger rotate and can injure or amputate hands or feet.

- Before adjusting, cleaning, inspecting, troubleshooting, or repairing the machine, stop the engine and wait for all moving parts to stop. Disconnect the wire from the spark plug and keep it away from the plug to prevent someone from accidentally starting the engine.
- Remove an obstruction from the discharge chute; refer to Unclogging the Discharge Chute. If necessary, use the snow cleanout tool, not your hands, to remove an obstruction from the discharge chute.
- Stay behind the handles and away from the discharge opening while operating the machine.
- Keep face, hands, feet, and any other part of your body or clothing away from concealed, moving, or rotating parts.

⚠ WARNING

The impeller can throw stones, toys, and other foreign objects and cause serious personal injury to the operator or to bystanders.

- Keep the area to be cleared free of all objects that the auger could pick up and throw.
- Keep all children and pets away from the area of operation.
- Always set the throttle to the Fast position when throwing snow.
- If the engine slows down under a load or the wheels slip, shift the machine into a lower gear.
- If the front of the machine rides up, shift the machine into a lower gear. If the front continues to ride up, lift up on the handles.

Maintenance

Note: Determine the left and right sides of the machine from the normal operating position.

Recommended Maintenance Schedule(s)

Maintenance Service Interval	Maintenance Procedure
After the first 2 hours	<ul style="list-style-type: none"> • Inspect the traction cable and adjust it if necessary. • Inspect the auger/impeller cable and adjust it if necessary.
After the first 5 hours	<ul style="list-style-type: none"> • Change the engine oil.
Before each use or daily	<ul style="list-style-type: none"> • Check the engine oil level and add oil if necessary.
Yearly	<ul style="list-style-type: none"> • Check the skids and the scraper and adjust them if necessary. • Inspect the traction cable and adjust or replace it if necessary. • Inspect the auger/impeller cable and adjust or replace it if necessary. • Check the auger gearbox oil and add oil if necessary. • Change the engine oil. • Lubricate the hex shaft. • Replace the spark plug.
Yearly or before storage	<ul style="list-style-type: none"> • Check the air pressure in the tires and inflate them to 17–20 psi (116–137 kPa). • Drain the gasoline and run the engine to dry out the fuel tank and the carburetor at the end of the season. • Have an Authorized Service Dealer inspect and replace the traction drive belt and/or the auger/impeller drive belt, if necessary.

Important: You can find more information about maintaining and servicing your machine at www.Toro.com.

Important: Refer to your engine operator's manual for additional maintenance procedures. For engine adjustments, repairs, or warranty service not covered in this manual, contact an Authorized Briggs & Stratton Servicing Dealer.

Service Interval: Before each use or daily

Preparing for Maintenance

1. Move the machine to a level surface.
2. Stop the engine and wait for all moving parts to stop.
3. Disconnect the spark plug wire. Refer to Replacing the Spark Plug.

Checking the Engine Oil Level

Service Interval: Before each use or daily—Check the engine oil level and add oil if necessary.

1. Remove the dipstick, wipe it clean, then fully install the dipstick.
2. Remove the dipstick and check the oil level (Figure 35). If the oil level is below the Add mark on the dipstick, add oil. Refer to Filling the Engine with Oil.

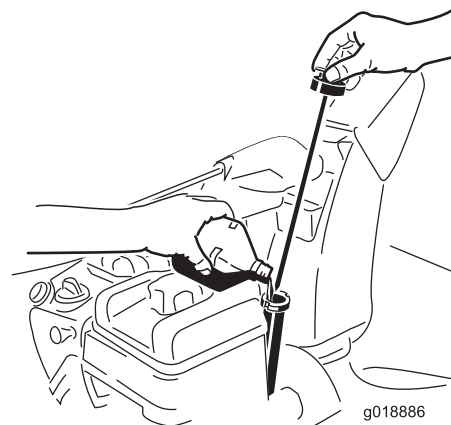


Figure 35

Checking and Adjusting the Skids and Scraper

Service Interval: Yearly—Check the skids and the scraper and adjust them if necessary.

Check the skids and the scraper to ensure that the auger does not contact the paved or gravel surface. Adjust the skids and the scraper as needed to compensate for wear.

1. Check the tire pressure. Refer to Checking the Tire Pressure.
2. Loosen the nuts that secure both skids to the auger sides until the skids slide up and down easily.

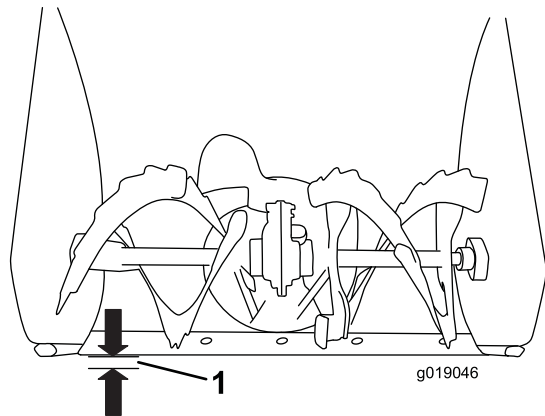


Figure 36

1. 1/8 inch (3 mm)

Important: The auger blades must be supported above the ground by the skids.

3. Ensure that the scraper is 1/8 inch (3 mm) above and parallel to a level surface.

Note: If the pavement is cracked, rough, or uneven, adjust the skids to raise the scraper. For gravel surfaces, adjust the skids further down to prevent the machine from picking up rocks.

4. Move the skids down until they are even with the ground.
5. Firmly tighten the nuts that secure both skids to the auger sides.

Note: To quickly adjust the skids if they loosen, support the scraper 1/8 inch (3 mm) off the pavement, then adjust the skids down to the pavement.

Note: If the skids become excessively worn, you can turn them over and set the unused side toward the pavement.

Checking and Adjusting the Traction Cable

Service Interval: After the first 2 hours—Inspect the traction cable and adjust it if necessary.

Yearly—Inspect the traction cable and adjust or replace it if necessary.

If the machine does not drive in the forward or reverse speeds or it drives when you release the traction lever, adjust the traction cable.

If the left hand (traction) cable is not properly adjusted, do the following steps:

1. Loosen the jam nut.
2. Engage the traction lever and hold it in place (Figure 37).

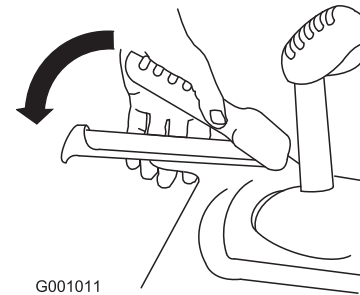


Figure 37

3. Loosen or tighten the turnbuckle to adjust spring length to 2.18 inches (5.5 cm) (Figure 38).

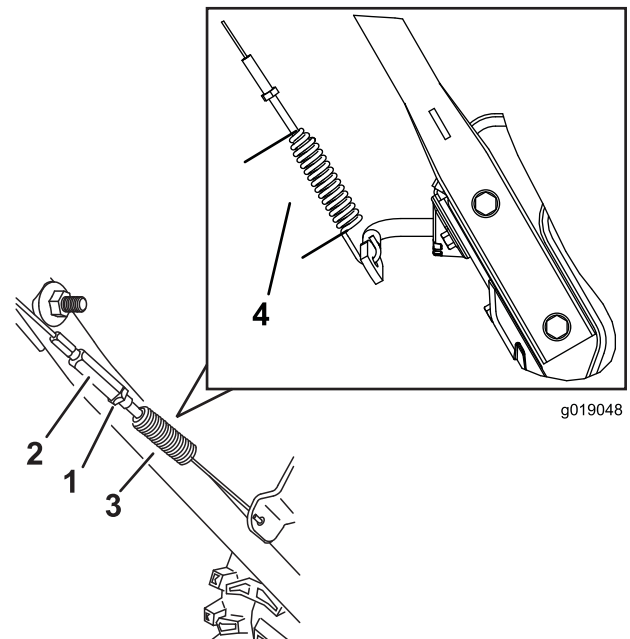


Figure 38

- | | |
|---------------|-------------------------|
| 1. Jam nut | 3. Spring |
| 2. Turnbuckle | 4. 2.18 inches (5.5 cm) |

4. Tighten the jam nut (Figure 38), ensuring there is slight tension on the cable.
5. If the traction cable is properly adjusted but a problem remains, contact an Authorized Service Dealer.

Checking and Adjusting the Auger/Impeller Cable

Service Interval: After the first 2 hours—Inspect the auger/impeller cable and adjust it if necessary.

Yearly—Inspect the auger/impeller cable and adjust or replace it if necessary.

1. Loosen the jam nut.
2. Engage the auger/impeller lever and hold it in place (Figure 39).

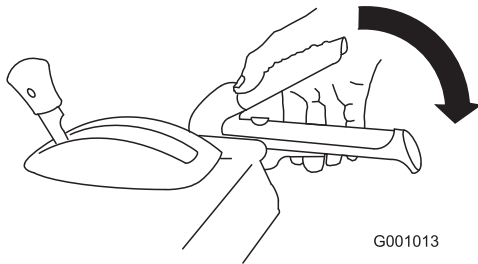


Figure 39

3. Loosen or tighten the turnbuckle to adjust the spring length to 2.75 inches (7 cm) (Figure 40)

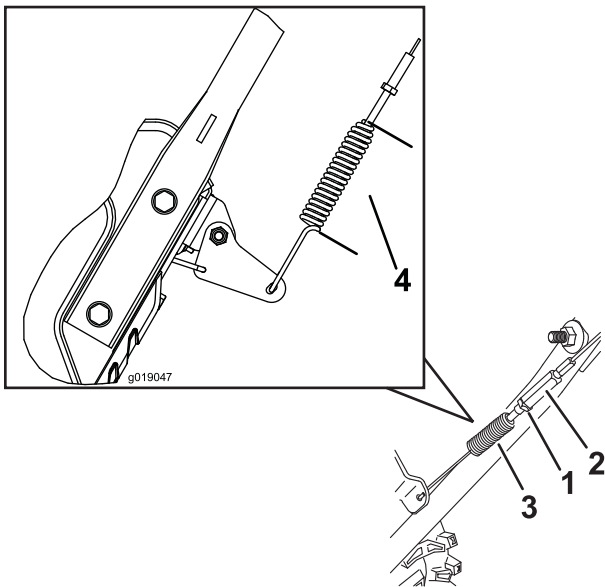


Figure 40

- | | |
|---------------|-----------------------|
| 1. Jam nut | 3. Spring |
| 2. Turnbuckle | 4. 2.75 inches (7 cm) |

4. Tighten the jam nut (Figure 40), ensuring there is slight tension on the cable.
5. If the auger/impeller cable is properly adjusted but a problem remains, contact an Authorized Service Dealer.

Checking the Auger Gearbox Oil Level

Service Interval: Yearly—Check the auger gearbox oil and add oil if necessary.

1. Move the machine to a level surface.
2. Clean the area around the pipe plug (Figure 41).

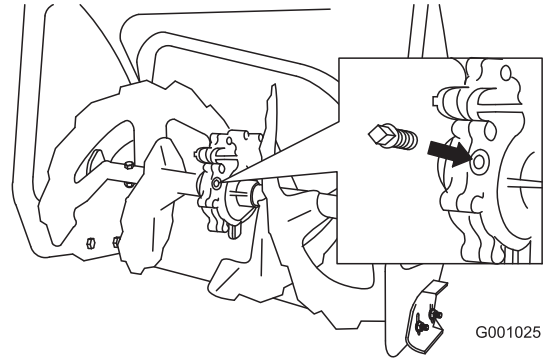


Figure 41

3. Remove the pipe plug from the gearbox.
4. Check the oil level in the gearbox. The oil should be 3/8 inch (9.5 mm) below the filler opening.
5. If the oil level is low, add GL-5 or GL-6, SAE 80-90 EP gear oil lubricant to the gearbox until the oil level is 3/8 inch below the filler opening.

Note: Do not use synthetic oil.

6. Install the pipe plug in the gearbox.

Changing the Engine Oil

Service Interval: After the first 5 hours—Change the engine oil.

Yearly—Change the engine oil.

If possible, run the engine just before changing the oil because warm oil flows better and carries more contaminants.

Use automotive detergent oil with an API service classification of SF, SG, SH, SJ, SL, or higher. Refer to your engine owner's manual.

Use Figure 42 below to select the best oil viscosity for the outdoor temperature range expected:

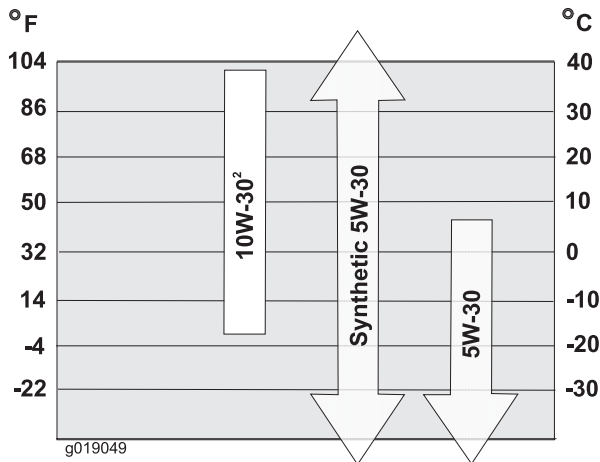


Figure 42

Engine Oil Capacities

Model	Engine Oil Capacity
37772	18 to 20 oz. (0.53 to 0.59 l)
37775	

1. Clean the area around the oil drain cap (Figure 43).

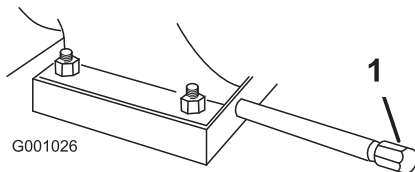


Figure 43

1. Oil drain cap
2. Slide an oil drain pan under the drain extension and remove the oil drain cap.
3. Drain the oil.

Note: Dispose of the used oil properly at a local recycling center.
4. Install the oil drain cap.
5. Fill the crankcase with oil. Refer to Filling the Engine Crankcase with Oil.

Lubricating the Hex Shaft

Service Interval: Yearly—Lubricate the hex shaft.

Lightly lubricate the hex shaft yearly with automotive engine oil (Figure 44).

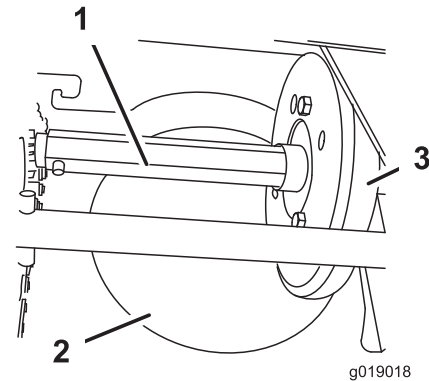


Figure 44

1. Hex shaft
2. Steel friction pulley
3. Rubber wheel

Important: Do not get oil on the rubber wheel or the steel friction pulley because the traction drive will slip (Figure 44).

1. Drain the gasoline from the fuel tank.
2. Tip the machine forward onto its auger housing and block it so that it cannot fall.
3. Remove the back cover (Figure 45).

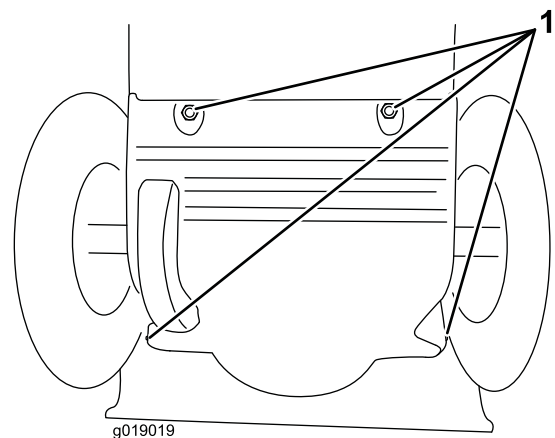


Figure 45

1. Screws
4. Move the speed selector lever to Position R2.
5. Dip your finger in automotive engine oil and **lightly** lubricate hex shaft.
6. Move the speed selector lever to Position 6.
7. Lubricate the other end of the hex shaft.
8. Move the speed selector lever forward and rearward a few times.

- Install the back cover and return the machine to the operating position.

Replacing the Spark Plug

Service Interval: Yearly—Replace the spark plug.

Use a **Champion QC12YC** or equivalent spark plug.

Note: To access the spark plug, you must first remove the upper snow hood (Figure 46).

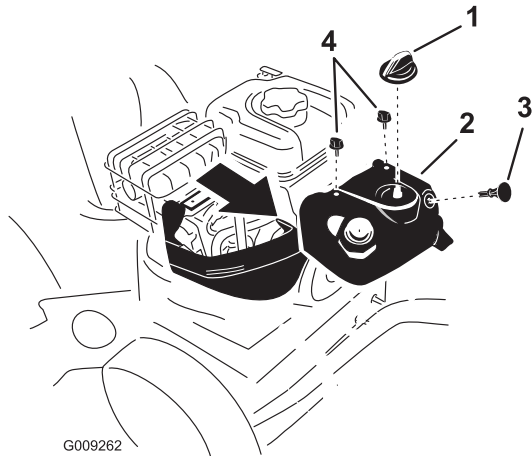


Figure 46

- | | |
|--------------------|-----------------|
| 1. Choke knob | 3. Ignition key |
| 2. Upper snow hood | 4. Screw (2) |

- Remove the choke knob and the ignition key (Figure 46).
- Remove the 2 screws that secure the upper snow hood to the machine (Figure 46).
- Slowly** remove the upper snow hood, ensuring that the primer bulb hose and the ignition wire remain connected.
- Remove the bracket thumb screw and the bracket (Figure 47).

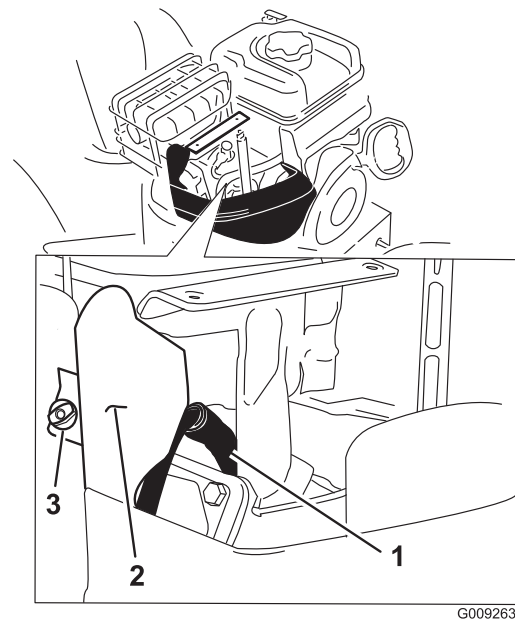


Figure 47

- | | |
|--------------------|----------------|
| 1. Spark-plug wire | 3. Thumb screw |
| 2. Bracket | |

- Clean around the base of the spark plug (Figure 47).
- Remove and discard the old spark plug.

Note: You will need a ratchet wrench extension to remove the spark plug.

- Set the gap between the electrodes on a new spark plug at 0.030 inch (0.76 mm) (Figure 48).

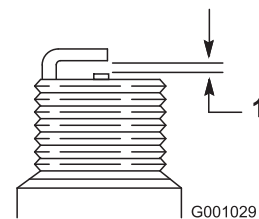


Figure 48

- 0.030 inch (0.76 mm)

- Install the new spark plug, tighten it firmly, and attach the ignition wire to the spark plug.
- Install the bracket with the thumb screw that you removed in step 4.
- Ensure that the primer bulb hose and the ignition wire are connected and clear of the carburetor bracket.
- Secure the upper snow hood to the machine with the 2 screws that you previously removed.
- Align the tab on the choke control knob with the slot on the upper snow hood.
- Connect the choke control knob to the choke shaft on the carburetor.

Adjusting the Discharge Chute Latch

If the discharge chute does not lock into the desired position or does not unlock so that you can move it to another position, adjust the discharge chute latch.

1. Loosen the clamp fastener on the chute support plate until the cable is free.

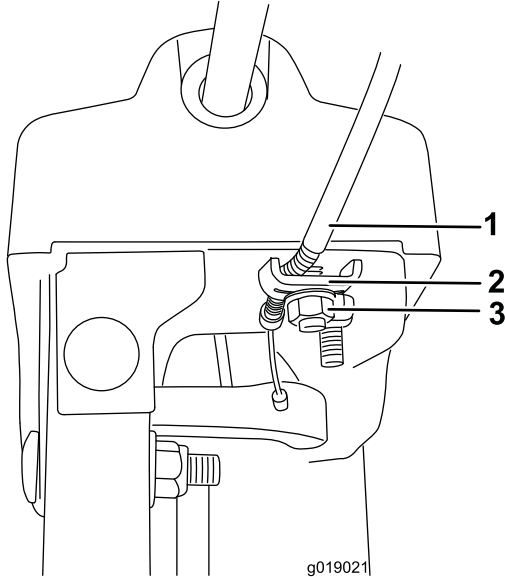


Figure 49

1. Cable conduit
2. Cable clamp
3. Clamp fastener

2. Remove any slack in the cable by pulling the cable conduit rearward.
3. Tighten the clamp fastener while holding the cable in place.

Replacing the Drive Belts

If the auger/impeller drive belt or the traction drive belt becomes worn, oil-soaked, or otherwise damaged, have an Authorized Service Dealer replace the belt.

Storage

⚠ WARNING

- Gasoline vapors can explode.
- Do not store gasoline more than 30 days.
- Do not store the machine in an enclosure near an open flame.
- Allow the engine to cool before storing it.

Preparing the Machine for Storage

1. On the last refueling of the year, add fuel stabilizer to fresh fuel as directed by the engine manufacturer.
Note: Fuel should not be stored longer than suggested by the fuel stabilizer manufacturer.
2. Run the engine for 10 minutes to distribute the conditioned fuel through the fuel system.
3. Run the machine until the engine runs out of fuel.
4. Prime the engine and start it again.
5. Allow the engine to run until it stops. When you can no longer start the engine, it is sufficiently dry.
6. Stop the engine and allow it to cool.
7. Remove the ignition key.
8. Clean the machine thoroughly.
9. Touch up chipped surfaces with paint available from an Authorized Service Dealer. Sand affected areas before painting, and use a rust preventative to prevent the metal parts from rusting.
10. Tighten all loose screws, bolts, and locknuts. Repair or replace any damaged parts.
11. Cover the machine and store it in a clean, dry place out of the reach of children.

Removing the Machine from Storage

1. Remove the spark plug and spin the engine rapidly using the starter to blow the excess oil from the cylinder.
2. Install the spark plug and tighten it firmly.
3. Connect the spark plug wire.
4. Perform the annual maintenance procedures as given in the Recommended Maintenance Schedule.

Troubleshooting

Problem	Possible Cause	Corrective Action
Electric starter does not turn (electric-start models only)	<ol style="list-style-type: none"> 1. The power cord is disconnected at the outlet or the machine. 2. The power cord is worn, corroded, or damaged. 3. The power outlet is not energized. 	<ol style="list-style-type: none"> 1. Connect the power cord to the outlet and/or the machine. 2. Replace the power cord. 3. Have a qualified electrician energize the outlet.
Engine does not start or starts hard	<ol style="list-style-type: none"> 1. The key is not in the ignition or is in the Stop position. 2. The choke is in the Off position and the primer has not been pressed. 3. The fuel shutoff valve is not open. 4. The throttle is not in the Fast position. 5. The fuel tank is empty or the fuel system contains stale fuel. 6. The spark plug wire is loose or disconnected. 7. The spark plug is pitted, fouled, or the gap is incorrect. 8. The fuel vent cap is restricted. 9. The engine oil level in the engine crankcase is too low or too high. 	<ol style="list-style-type: none"> 1. Insert the key into the ignition and turn it to the On position. 2. Move the choke to the On position and press the primer 3 times. 3. Open the fuel shutoff valve. 4. Move the throttle to the Fast position. 5. Drain and/or fill the fuel tank with fresh gasoline (not more than 30 days old). If the problem persists, contact an Authorized Service Dealer. 6. Connect the wire to the spark plug. 7. Check the spark plug and adjust the gap if necessary. Replace the spark plug if it is pitted, fouled, or cracked. 8. Remove the vent restriction or replace the fuel cap. 9. Add or drain oil to adjust the oil level in the engine crankcase to the Full mark on the dipstick.
Engine runs rough	<ol style="list-style-type: none"> 1. The choke is in the On position. 2. The fuel shutoff valve is not completely open. 3. The fuel tank is nearly empty or contains stale fuel. 4. The spark plug wire is loose. 5. The spark plug is pitted, fouled, or the gap is incorrect. 6. The engine oil level in the engine crankcase is too low or too high. 	<ol style="list-style-type: none"> 1. Move the choke to the Off position. 2. Open the fuel shutoff valve. 3. Drain and fill the fuel tank with fresh gasoline (not more than 30 days old). If the problem persists, contact an Authorized Service Dealer. 4. Connect the wire to the spark plug. 5. Check the spark plug and adjust the gap if necessary. Replace the spark plug if it is pitted, fouled, or cracked. 6. Add or drain oil to adjust the oil level in the engine crankcase to the Full mark on the dipstick.

Problem	Possible Cause	Corrective Action
Engine runs, but the machine discharges snow poorly or not at all	<ol style="list-style-type: none"> 1. The throttle is not in the Fast position when throwing snow. 2. The machine is moving too fast to clear the snow. 3. You are trying to remove too much snow per swath. 4. You are trying to remove extremely heavy or wet snow. 5. The discharge chute is plugged. 6. The auger/impeller drive belt is loose or is off the pulley. 7. The auger/impeller drive belt is worn or broken. 	<ol style="list-style-type: none"> 1. Move the throttle to the Fast position. 2. Shift the machine into a lower gear. 3. Reduce the amount of snow removed per swath. 4. Don't overload the machine with extremely heavy or wet snow. 5. Unclog the discharge chute. 6. Install and/or adjust the auger/impeller drive belt; refer to www.Toro.com for servicing information or take the machine to an Authorized Service Dealer. 7. Replace the auger/impeller drive belt; refer to www.Toro.com for servicing information or take the machine to an Authorized Service Dealer.
Discharge chute either does not lock into place or does not move	<ol style="list-style-type: none"> 1. The discharge chute latch is not properly adjusted. 	<ol style="list-style-type: none"> 1. Adjust the discharge chute latch.
The machine does not properly clear the snow off the surface	<ol style="list-style-type: none"> 1. The skids and/or scraper are not properly adjusted. 2. The pressure in the tires is not equal. 	<ol style="list-style-type: none"> 1. Adjust the skids and/or the scraper. 2. Check and adjust the pressure in one or both tires.

Notes:

Notes:

Notes:



Emission Control Warranty Statement

For the United States, California, and Canada

Your Warranty Rights and Obligations

The California Air Resources Board (CARB), the U.S. Environmental Protection Agency (EPA), and The Toro Company, are pleased to explain the emission control system warranty on your 2013 –2014 small off-road engine/equipment. In California and the United States, new small off-road engines/equipment must be designed, built, and certified to meet stringent anti-smog standards. The Toro Company warrants the emission control system on your small off-road engine/equipment for the period of time listed below, provided there has been no abuse, neglect, or improper maintenance of your small off-road engine/equipment.

Your emission control system may include parts such as the carburetor, fuel-injection system, the ignition system, catalytic converter, fuel tanks, fuel lines, fuel caps, valves, canisters, filters, vapor hoses, clamps, connectors, and other associated emission-related components.

Where a warrantable condition exists, The Toro Company will repair your small off-road engine/equipment at no cost to you including diagnosis, parts and labor.

Manufacturer's Warranty Coverage

This emission control system is warranted for two years. If any emission-related part on your engine/equipment is defective, the part will be repaired or replaced by The Toro Company.

Owner Responsibilities

As the small off-road engine owner, you are responsible for the performance of the required maintenance listed in your *Operator's Manual*. We recommend that you retain all receipts covering maintenance on your small off-road engine/equipment, but we cannot deny warranty solely for the lack of receipts.

As the small off-road engine/equipment owner, you should however be aware that we may deny you warranty coverage if your small off-road engine/equipment or a part has failed due to abuse, neglect, improper maintenance or unapproved modifications.

You are responsible for presenting your small off-road engine/equipment to a Toro Distribution Center or Service Center as soon as a problem exists. The warranty repairs should be completed in a reasonable amount of time, not to exceed thirty (30) days.

If you have any questions regarding your warranty coverage, contact us at:

Customer Care Department, Consumer Division
Toro Warranty Company
8111 Lyndale Avenue South
Bloomington, MN 55420-1196
Toll free at 800-348-2424 (U.S. customers)
Toll free at 800-544-5364 (Canadian customers)

General Emissions Warranty Coverage

The Toro Company and its affiliate, Toro Warranty Company, jointly warrant to the initial owner and each subsequent purchaser that the small off-road engine/equipment is:

- Designed, built, and certified to conform with all applicable emissions regulations; and
- Free from defects in materials and workmanship that could cause the failure of a warranted part; and
- Identical in all material respects to the parts as described in the application for certification.

The warranty period begins on the date the small off-road engine/equipment is delivered to an ultimate purchaser. The warranted period is two years.

Subject to certain conditions and exclusions as stated below, the warranty on evaporative emissions-related parts is as follows:

1. Any warranted part that is not scheduled for replacement as required maintenance in the written instructions supplied, is warranted for the warranty period stated above. If the part fails during the period of warranty coverage, the part will be repaired or replaced by The Toro Company. Any such part repaired or replaced under warranty will be warranted for the remainder of the warranty period.
2. Any warranted part that is scheduled only for regular inspection in the written instructions supplied is warranted for the warranty period stated above. Any such part repaired or replaced under the warranty will be warranted for the remainder of the warranty period.
3. Any warranted part that is scheduled for replacement as required maintenance in the written instructions supplied is warranted for the period of time before the first scheduled replacement date for that part. If the part fails before the first scheduled replacement, the part will be repaired or replaced by The Toro Company. Any such part repaired or replaced under warranty will be warranted for the remainder of the period prior to the first scheduled replacement point for the part.
4. Repair or replacement of any warranted part under the warranty provisions herein must be performed at an Authorized Service Dealer at no charge to the owner.
5. Notwithstanding the provisions herein, warranty services or repairs will be provided at all Service Dealers authorized to service the subject engines or equipment.
6. The small off-road engine/equipment owner will not be charged for diagnostic labor that is directly associated with diagnosis of a defective, emission-related warranted part, provided that such diagnostic work is performed at an Authorized Service Dealer.
7. The Toro Company is liable for damages to other engine/equipment components caused by a failure under warranty of any emissions part.
8. Throughout the small off-road engine/equipment warranty period stated above, The Toro Company will maintain a supply of warranted parts sufficient to meet the expected demand for such parts.
9. Manufacturer approved replacement parts may be used in the performance of any warranty maintenance or repairs and must be provided without charge to the owner. Such use will not reduce the warranty obligations of The Toro Company.
10. Add-on or modified parts that are not approved by The Toro Company may not be used. The use of a non-approved add-on or modified parts by the purchaser will be grounds for disallowing a warranty claim. The Toro Company will not be liable to warrant failures of warranted parts caused by the use of a non-approved add-on or modified parts.

Warranted Parts

The following emission warranty parts are covered, to the extent these parts were present on the Toro engine/equipment and/or Toro supplied fuel system:

1. Fuel System Parts
 - Carburetor and internal parts
 - Cold starting enrichment (primer or choke)
 - Fuel pump
 - Fuel line, fittings, and clamps
 - Fuel tank, cap, and tether
 - Carbon canister
2. Air Induction System
 - Air cleaner
 - Intake manifold
 - Crankcase vent and line(s)
 - Purge line and fittings
3. Ignition System
 - Spark plug(s) and wire(s)
 - Magneto ignition system
4. Catalytic Exhaust System
 - Catalytic converter
 - Exhaust manifold
 - Air injector system and valve(s)
5. Miscellaneous Items Used in Emission Control System
 - Valves, switches, and linkages
 - Connectors, fittings, and brackets



The Toro Total Coverage Guarantee
A Three-Year Limited Warranty (45 Day Limited Warranty for Commercial Use)

Power Max HD and
Power Max
Two-Stage Snowthrowers

Conditions and Products Covered

The Toro Company and its affiliate, Toro Warranty Company, pursuant to an agreement between them, jointly promise to repair the Toro Product listed below if used for residential purposes*, if defective in materials or workmanship or if it stops functioning due to the failure of a component for the period listed below.

This warranty covers the cost of parts and labor, but you must pay transportation costs.

The following time periods apply from the date of purchase:

Products	Warranty Period
Power Max HD and Power Max Snowthrowers and Attachments	3 years
— Power Max HD and Power Max Chute	Guaranteed for Life Warranty (original owner only)
— Power Max HD and Power Max Deflector	Guaranteed for Life Warranty (original owner only)
— Power Max HD and Power Max Anti-Clogging System (Plastic Impeller Housing cover)	Guaranteed for Life Warranty (original owner only)

Limited Warranty for Commercial Use

Gas-powered Toro Products used for commercial, institutional, or rental use, are warranted for 45 days against defects in materials or workmanship. Components failing due to normal wear are not covered by this warranty.

Instructions for Obtaining Warranty Service

If you think that your Toro Product contains a defect in materials or workmanship, follow this procedure:

1. Contact any Authorized Toro Service Dealer to arrange service at their dealership. To locate a dealer convenient to you, refer to the *Yellow Pages* of your telephone directory (look under "Lawn Mowers") or access our web site at www.Toro.com. You may also call the numbers listed in item #3 to use the 24-hour Toro Dealer locator system.
2. Bring the product and your proof of purchase (sales receipt) to the Service Dealer. The dealer will diagnose the problem and determine if it is covered under warranty.
3. If for any reason you are dissatisfied with the Service Dealer's analysis or with the assistance provided, contact us at:

Customer Care Department, Consumer Division
The Toro Company
8111 Lyndale Avenue South
Bloomington, MN 55420-1196
Toll free at 866-336-5205 (U.S. customers)
Toll free at 866-854-9033 (Canadian customers)

Countries Other than the United States or Canada

Customers who have purchased Toro products exported from the United States or Canada should contact their Toro Distributor (Dealer) to obtain guarantee policies for your country, province, or state. If for any reason you are dissatisfied with your Distributor's service or have difficulty obtaining guarantee information, contact the Toro importer. If all other remedies fail, you may contact us at Toro Warranty Company.

Australian Consumer Law

Australian customers will find details relating to the Australian Consumer Law either inside the box or at your local Toro Dealer.

*Residential purposes means use of the product on the same lot as your home. Use at more than one location, or institutional or rental use, is considered commercial use, and the commercial use warranty would apply.

Owner Responsibilities

You must maintain your Toro Product by following the maintenance procedures described in the *Operator's Manual*. Such routine maintenance, whether performed by a dealer or by you, is at your expense.

Items and Conditions Not Covered

There is no other express warranty except for special emission system coverage and engine warranty coverage on some products. This express warranty does not cover the following:

- Cost of regular maintenance service or replacement of wear parts, such as rotor blades (paddles), scraper blades, belts, fuel, lubricants, oil changes, spark plugs, cable/linkage or brake adjustments
- Any product or part which has been altered or misused and requires replacement or repair due to accidents or lack of proper maintenance
- Repairs necessary due to failure to use fresh fuel (less than one month old), or failure to properly prepare the unit prior to any period of non-use over one month
- Pickup and delivery charges
- Operational misuse, neglect, or accidents
- Repairs or attempted repairs by anyone other than an Authorized Toro Service Dealer

General Conditions

All repairs covered by these warranties must be performed by an Authorized Toro Service Dealer using Toro approved replacement parts. Repair by an Authorized Toro Service Dealer is your sole remedy under this warranty.

Neither The Toro Company nor Toro Warranty Company is liable for indirect, incidental, or consequential damages in connection with the use of the Toro Products covered by these warranties, including any cost or expense of providing substitute equipment or service during reasonable periods of malfunction or non-use pending completion of repairs under these warranties.

All implied warranties of merchantability (that the product is fit for ordinary use) and fitness for use (that the product is fit for a particular purpose) are limited to the duration of the expressed warranty.

Some states do not allow exclusions of incidental or consequential damages, or limitations on how long an implied warranty lasts, so the above exclusions may not apply to you.

This warranty gives you specific legal rights, and you may also have other rights which vary from state to state.



Souffleuse à neige Power Max 724/826 OE

N° de modèle 37772—N° de série 315000001 et suivants

N° de modèle 37775—N° de série 315000001 et suivants

Manuel de l'utilisateur

⚠ ATTENTION

CALIFORNIE

Proposition 65 - Avertissement

Ce produit contient une ou des substances chimiques considérées par l'état de Californie comme capables de provoquer des cancers, des anomalies congénitales ou d'autres troubles de la reproduction.

Les gaz d'échappement de ce produit contiennent des substances chimiques considérées par l'état de Californie comme susceptibles de provoquer des cancers, des malformations congénitales et autres troubles de la reproduction.



Figure 1

1. Emplacement des numéros de modèle et de série

N° de modèle _____

N° de série _____

Introduction

Cette machine est destinée au grand public, aux professionnels et aux utilisateurs temporaires. Elle est conçue pour déblayer la neige sur les surfaces revêtues, telles allées et trottoirs, et autres surfaces de circulation des propriétés résidentielles et commerciales. Elle n'est pas conçue pour enlever autre chose que la neige et n'est pas non plus équipée d'une lame pivotante pour le nettoyage du gravier.

Lisez attentivement ces informations pour apprendre comment utiliser et entretenir correctement votre machine, et éviter de l'endommager ou de vous blesser. Vous êtes responsable de l'utilisation sûre et correcte de la machine.

Vous pouvez contacter Toro directement sur le site www.Toro.com pour tout renseignement concernant un produit ou un accessoire, pour obtenir l'adresse des dépositaires ou pour enregistrer votre machine.

Pour obtenir des prestations de service, des pièces Toro d'origine ou des renseignements complémentaires, munissez-vous des numéros de modèle et de série du produit et contactez un dépositaire-réparateur ou le service client Toro agréé. La Figure Figure 1 indique l'emplacement des numéros de modèle et de série de la machine. Inscrivez les numéros dans l'espace réservé à cet effet.

Les mises en garde de ce manuel soulignent les dangers potentiels et sont signalées par le symbole de sécurité (Figure 2), qui indique un danger pouvant entraîner des blessures graves ou mortelles si les précautions recommandées ne sont pas respectées.



Figure 2

1. Symbole de sécurité

Ce manuel utilise deux termes pour faire passer des renseignements essentiels. **Important**, pour attirer l'attention sur des informations mécaniques spécifiques et **Remarque**, pour insister sur des informations d'ordre général méritant une attention particulière.

Table des matières

Introduction	1
Sécurité	2
Apprendre à se servir de la machine.....	3
Avant d'utiliser la machine	3
Utilisation.....	3
Pour déboucher l'éjecteur	4
Entretien et remisage	4



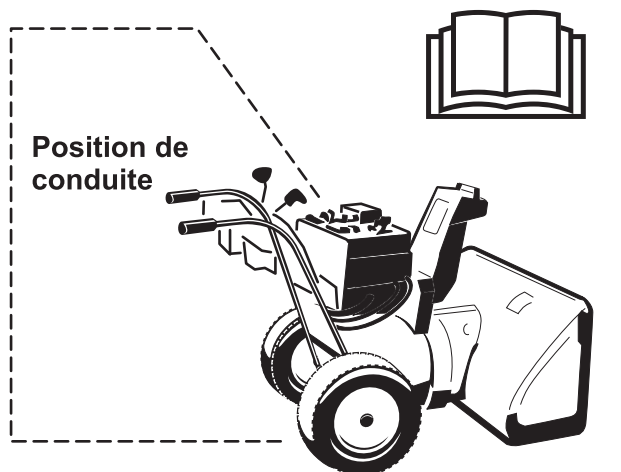
Sécurité des souffleuses à neige Toro	4
Autocollants de sécurité et d'instruction	5
Mise en service	8
1 Montage de la partie supérieure du guidon	8
2 Montage de la tringlerie de commande de déplacement.....	9
3 Montage de l'éjecteur.....	10
4 Montage de la tige d'orientation de l'éjecteur.....	10
5 Contrôle du niveau d'huile moteur	11
6 Contrôle de la pression des pneus	12
7 Contrôle de la lame racleuse et des patins	12
8 Contrôle du fonctionnement de la transmission aux roues.....	12
Vue d'ensemble du produit	13
Utilisation	14
Fonctionnement en roue libre ou utilisation de l'autotraction.....	14
Remplissage du réservoir de carburant.....	15
Démarrage du moteur.....	15
Arrêt du moteur	17
Fonctionnement de la transmission aux roues.....	17
Utilisation du sélecteur de vitesses.....	18
Utilisation de la commande de la vis sans fin/turbine.....	18
Utilisation du Quick Stick™.....	18

Dégagement de l'éjecteur.....	19
Prévention du blocage par le gel.....	19
Conseils d'utilisation	20
Entretien	21
Programme d'entretien recommandé	21
Préparation à l'entretien.....	21
Contrôle du niveau d'huile moteur	21
Contrôle et réglage des patins et de la lame racleuse	22
Contrôle et réglage du câble de commande de déplacement.....	22
Contrôle et réglage du câble de commande de la vis sans fin/turbine.....	23
Contrôle du niveau d'huile du boîtier d'engrenages de la vis sans fin.....	23
Vidange et remplacement de l'huile moteur	24
Graissage de l'arbre hexagonal.....	24
Remplacement de la bougie.....	25
Réglage du verrou de l'éjecteur	26
Remplacement des courroies d'entraînement.....	26
Remisage	27
Préparation de la machine au remisage	27
Remise en service après remisage	27
Dépistage des défauts	28

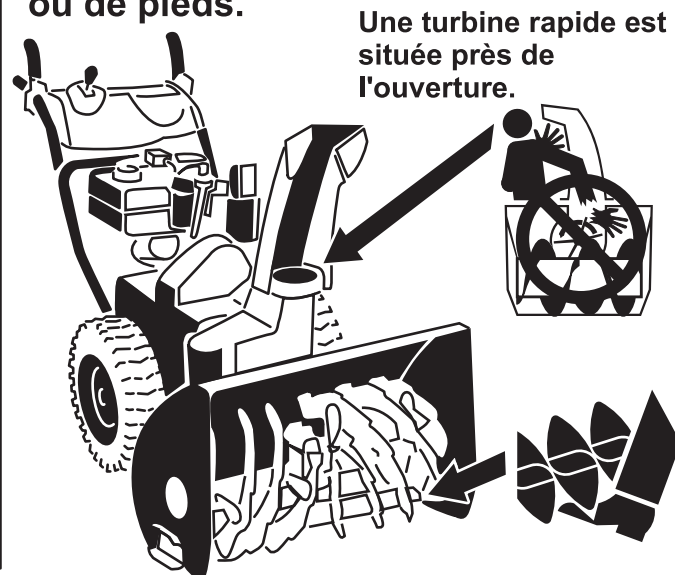
Sécurité

Avant l'utilisation

- Lisez et assimilez le contenu de ce manuel avant d'utiliser la déneigeuse.
- Familiarisez-vous avec toutes les commandes et apprenez à arrêter le moteur rapidement.



Prudence : un usage incorrect peut entraîner la perte de doigts, de mains ou de pieds.



Cette machine est conforme ou supérieure aux spécifications de la norme B71.3 de l'American National

Standards Institute en vigueur au moment de la production.

Lisez et assimilez le contenu de ce manuel avant même de mettre le moteur en marche.

▲Voici le triangle de sécurité. Il signale les dangers potentiels susceptibles de causer des blessures. Respectez tous les messages de sécurité qui suivent ce symbole pour éviter des accidents, potentiellement mortels.

L'utilisation ou l'entretien incorrect de cette machine peut occasionner des accidents, parfois mortels. Pour réduire les risques, respectez les consignes de sécurité suivantes.

Apprendre à se servir de la machine

- Avant l'utilisation, vous devez lire, comprendre et respecter toutes les instructions qui figurent sur la machine et dans le(s) manuel(s). Familiarisez-vous avec les commandes et l'utilisation correcte de la machine. Apprenez à arrêter la machine et à débrayer les commandes rapidement.
- Ne laissez jamais un enfant utiliser la machine. N'autorisez jamais aucun adulte à utiliser la machine sans instructions adéquates.
- N'admettez personne dans la zone de travail, et surtout pas d'enfants.
- Faites attention de ne pas glisser ou tomber, surtout en marche arrière.

Avant d'utiliser la machine

- Inspectez soigneusement la zone de travail et enlevez tous les paillasons, traîneaux, planches, fils de fer ou autres objets qui s'y trouvent.
- Vérifiez que toutes les commandes sont débrayées et que le changement de vitesse est au point mort avant de mettre le moteur en marche.
- N'utilisez jamais la machine sans porter des vêtements d'hiver adaptés. Ne portez pas de vêtements amples qui risquent de s'accrocher dans les pièces mobiles. Portez des chaussures offrant une bonne prise sur les surfaces glissantes.
- Manipulez le carburant avec prudence car il est très inflammable.
 - Conservez le carburant dans un bidon homologué.
 - N'ajoutez jamais de carburant lorsque le moteur tourne ou est chaud.
 - Remplissez le réservoir très soigneusement à l'extérieur, jamais à l'intérieur.
 - Ne remplissez jamais les bidons de carburant à l'intérieur d'un véhicule ou sur le plateau d'une remorque dont le revêtement est en plastique. Posez toujours les bidons sur le sol, à l'écart du véhicule, avant de les remplir.

- Si possible, descendez la machine du véhicule ou de la remorque et posez-la à terre avant de remplir le réservoir de carburant. Si ce n'est pas possible, laissez la machine dans le véhicule ou sur la remorque, mais remplissez le réservoir à l'aide d'un bidon, et non directement à la pompe.
- Maintenez le pistolet en contact avec le bord du réservoir ou du bidon jusqu'à la fin du remplissage. N'utilisez pas un dispositif de verrouillage du pistolet en position ouverte.
- Refermez bien le bouchon du réservoir ou du bidon, et essuyez le carburant éventuellement répandu.
- Si du carburant s'est répandu sur vos vêtements, changez-vous immédiatement.
- Utilisez des rallonges et des prises spécifiées par le fabricant pour toutes les machines équipées de démarreurs électriques.
- Réglez le carter de ramassage pour éviter de ramasser des cailloux ou du gravier.
- N'entreprenez jamais de réglages lorsque le moteur est en marche, sauf si le fabricant le demande expressément.
- Portez toujours des lunettes de sécurité ou une protection oculaire pendant le travail, et lors de tout réglage ou toute réparation pour protéger vos yeux des objets pouvant être projetés par la machine.

Utilisation

- N'approchez pas les mains ni les pieds des pièces en rotation. Ne vous tenez jamais devant l'ouverture d'éjection.
- Soyez très prudent lorsque vous traversez ou déneigez des routes, trottoirs ou allées de gravier. Faites attention aux dangers cachés et à la circulation.
- Après avoir heurté un obstacle, arrêtez le moteur, enlevez la clé de contact et vérifiez soigneusement l'état de la machine. Effectuez les réparations éventuellement nécessaires avant de redémarrer et de reprendre le travail.
- Si la machine se met à vibrer de façon anormale, coupez le moteur et cherchez-en immédiatement la cause. Les vibrations indiquent généralement la présence d'un problème.
- Arrêtez toujours le moteur avant de quitter la position de conduite, de déboucher le carter de la vis sans fin/turbine ou le guide d'éjection, ou d'entreprendre tout réglage, inspection ou réparation.
- Avant tout nettoyage, toute inspection ou toute réparation de la machine, arrêtez le moteur et attendez l'arrêt complet de la vis sans fin/turbine et de toutes les pièces mobiles. Débranchez et éloignez le fil de la bougie pour éviter tout risque de démarrage accidentel.
- Ne faites pas tourner le moteur à l'intérieur, sauf pour faire démarrer la machine et la rentrer ou la sortir du bâtiment. Ouvrez les portes vers l'extérieur pour aérer, car les gaz d'échappement sont dangereux.

- Soyez extrêmement prudent sur un terrain en pente.
- N'utilisez pas la machine si tous les capots et autres dispositifs de protection appropriés ne sont pas en place et en bon état de marche.
- Ne dirigez jamais l'éjection vers des personnes ou des endroits qui pourraient subir des dommages matériels. Tenez les enfants et les animaux à distance.
- Ne surchargez pas la machine en essayant de déblayer trop vite.
- N'utilisez jamais la machine à grande vitesse sur un sol glissant. Regardez derrière vous et soyez très prudent lorsque vous faites marche arrière.
- Débrayez la vis sans fin/turbine avant de transporter la machine et de la remiser.
- N'utilisez que des accessoires et équipements agréés par le constructeur de la machine (masses de roue, contrepoids, cabine, etc.).
- N'utilisez jamais la machine à moins de disposer d'une visibilité et d'un éclairage suffisants. Veillez à ne pas perdre l'équilibre et tenez bien le guidon. Marchez, ne courez pas.
- Ne touchez jamais le moteur ou le silencieux s'il est chaud.

Pour déboucher l'éjecteur

⚠ ATTENTION

Le contact avec le rotor en marche à l'intérieur de l'éjecteur est une cause courante de blessures associées aux machines. N'utilisez jamais vos mains pour nettoyer l'éjecteur.

Pour déboucher l'éjecteur :

- **Arrêtez le moteur!**
- Attendez 10 secondes que les pales du rotor ne tournent plus.
- Utilisez toujours l'outil de nettoyage installé sur la souffleuse à neige, jamais vos mains.

Entretien et remisage

- Contrôlez fréquemment le serrage de toutes les fixations pour garantir le fonctionnement sûr de la machine.
- Ne remisez jamais une machine dont le réservoir contient du carburant dans un local contenant des sources possibles d'inflammation, telles que chaudières, radiateurs, séchoirs à linge, etc. Laissez refroidir le moteur avant de ranger la machine dans un local fermé.
- Suivez toujours les instructions de remisage qui figurent dans le *Manuel de l'utilisateur* avant de remiser la machine pour une durée prolongée, afin de n'oublier aucune opération importante.

- Remplacez les autocollants d'instruction ou de sécurité manquants ou endommagés au besoin.
- Après avoir utilisé la souffleuse à neige, laissez-la tourner à vide quelques minutes pour éviter que les pales du rotor ne soient bloquées par le gel.

Sécurité des souffleuses à neige Toro

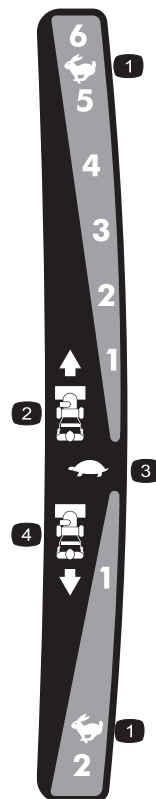
La liste suivante contient des instructions de sécurité spécifiques aux machines Toro ou d'autres informations essentielles que vous devez connaître.

- **La vis sans fin/turbine en rotation peut sectionner ou blesser les mains et les doigts.** Restez derrière le guidon et n'approchez pas de l'ouverture d'éjection durant l'utilisation de la machine. **N'approchez pas le visage, les mains, les pieds et toute autre partie du corps ou vos vêtements des pièces mobiles ou rotatives.**
- Avant de régler, nettoyer, contrôler, dépanner ou réparer la machine, **arrêtez le moteur, enlevez la clé de contact et attendez l'arrêt complet de toutes les pièces mobiles. Débranchez la bougie et éloignez le fil pour éviter tout risque de démarrage accidentel.**
- **Avant** de quitter la position de conduite, coupez le moteur, enlevez la clé de contact et attendez l'arrêt de toutes les pièces en mouvement.
- Pour déboucher l'éjecteur, restez à la position de fonctionnement et débloquez le levier (de déplacement) gauche. La vis sans fin/turbine étant en marche, appuyez sur le guidon pour soulever l'avant de la machine de quelques centimètres. Soulevez ensuite le guidon rapidement pour cogner le sol avec l'avant de la machine. Répétez cette procédure au besoin jusqu'à ce que la neige sorte régulièrement par l'éjecteur.
- S'il est impossible de déboucher l'éjecteur en cognant l'avant de la machine sur le sol, **arrêtez le moteur, attendez l'arrêt complet de toutes les pièces mobiles, puis dégagez l'obstruction à l'aide d'un outil de nettoyage et jamais avec la main.**
- Si un déflecteur, un dispositif de sécurité ou un autocollant manque, est endommagé ou illisible, réparez ou remplacez-le avant d'utiliser la machine.
- **Ne fumez pas** lorsque vous manipulez de l'essence.
- **N'utilisez pas** la machine sur un toit.
- Ne touchez jamais au moteur en marche ou juste après l'avoir arrêté, car il peut être très chaud et vous brûler.
- N'effectuez que les opérations d'entretien décrites dans ce manuel. Avant d'entreprendre des réglages, des entretiens ou des réparations, arrêtez le moteur, enlevez la clé de contact et débranchez la bougie. Si la machine requiert une réparation importante, faites appel à votre vendeur réparateur Toro agréé.
- Ne modifiez pas le réglage du régulateur sur le moteur.

- Si vous remisez la machine plus d'un mois, vidangez le réservoir de carburant pour éviter les risques d'incendie. Conservez le carburant dans un bidon homologué. Ne laissez pas la clé dans le commutateur d'allumage lorsque vous rangez la machine.
- N'achetez que des pièces et des accessoires Toro d'origine.

Autocollants de sécurité et d'instruction

Important: Les autocollants de sécurité et d'instruction sont placés près des endroits potentiellement dangereux. Remplacez les autocollants endommagés.



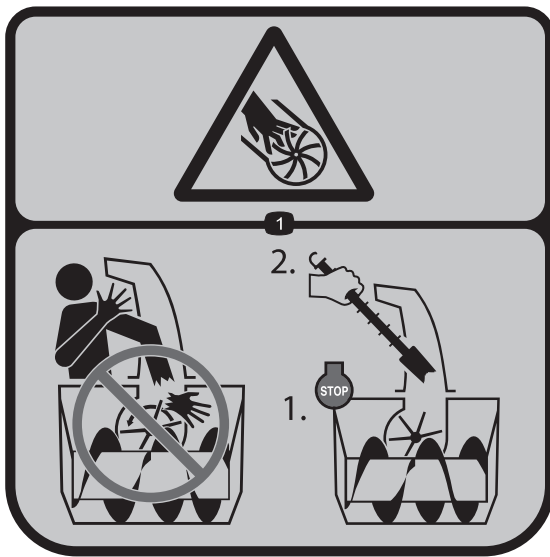
121-6823

- | | |
|-----------------------------|-------------------------------|
| 1. Haut régime | 3. Bas régime |
| 2. Vitesses en marche avant | 4. Vitesses en marche arrière |



121-6817

1. Risque de coupure/mutilation par la turbine et la vis sans fin – Tenez les spectateurs à bonne distance de la souffleuse à neige.



121-1239

Réf. de renouvellement de commande 121-1215



121-1240

Réf. de renouvellement de commande 120-7194

1. Transmission aux roues – Serrez le levier pour l'engager; desserrez le levier pour la désengager.
2. Attention – lisez le *Manuel de l'utilisateur*.
3. Risque de blessure/mutilation par la turbine – Ne placez pas les mains dans l'éjecteur. Arrêtez le moteur avant de quitter la position de conduite, dégagez l'éjecteur avec l'outil de nettoyage.
4. Risque de coupure/mutilation par la turbine – N'approchez pas des pièces en mouvement, enlevez la clé de contact et lisez les instructions avant de procéder à des entretiens ou des révisions.
5. Risque de projections – Tenez les spectateurs à bonne distance de la machine.
6. Entraînement de la vis sans fin/turbine – serrez le levier pour l'engager; desserrez le levier pour la désengager.



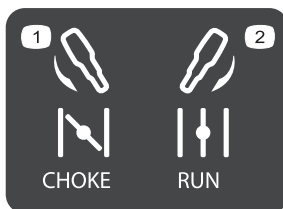
Réf. Briggs & Stratton 273676

1. Arrêt
2. Bas régime
3. Haut régime



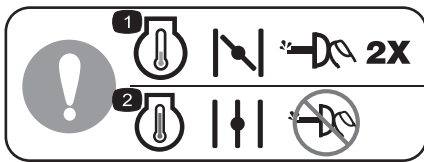
Réf. Briggs & Stratton 276925

1. Attention – lisez le *Manuel de l'utilisateur*.
2. Attention – risque d'incendie.
3. Attention – risque d'intoxication par inhalation de gaz.
4. Attention – surface chaude/risque de brûlure.



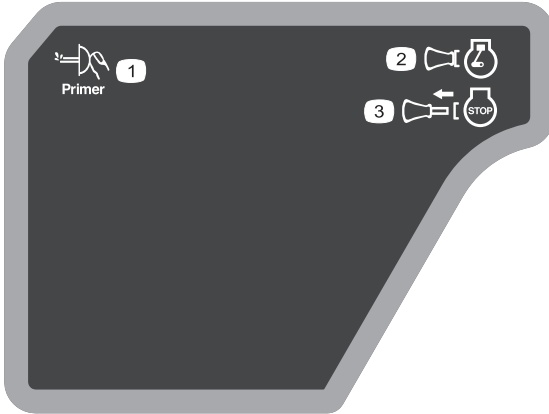
Réf. Briggs & Stratton 275949

1. Starter fermé (starter sélectionné)
2. Starter ouvert (marche)



Réf. Briggs & Stratton 277566

1. Pour démarrer le moteur à froid, fermez le starter et appuyez sur l'amorceur à trois reprises.
2. Pour démarrer le moteur à chaud, ouvrez le starter et n'appuyez pas sur l'amorceur.



Réf. Briggs & Stratton 277588

1. Amorceur
2. Clé de contact en place (Moteur – Marche)
3. Clé de contact sortie (Moteur – Arrêt)



Réf. Briggs & Stratton 278866

1. Alimentation activée
2. Alimentation désactivée

Mise en service

Pièces détachées

Reportez-vous au tableau ci-dessous pour vérifier si toutes les pièces ont été expédiées.

Procédure	Description	Qté	Utilisation
1	Boulons de guidon	2	Montez la partie supérieure du guidon.
	Rondelles bombées	2	
	Contre-écrous	2	
2	Goupille fendue	2	Montez la tringlerie de commande de déplacement.
	Rondelle plate	3	
3	Écrou	2	Montez l'éjecteur.
	Boulon de carrosserie	2	
	Rondelle plate	2	
4	Boulons de carrosserie	2	Montez la tige d'orientation de l'éjecteur.
	Contre-écrous	2	
5	Aucune pièce requise	–	Contrôle du niveau d'huile moteur.
6	Aucune pièce requise	–	Contrôlez la pression des pneus.
7	Aucune pièce requise	–	Contrôlez la lame racleuse et les patins.
8	Aucune pièce requise	–	Contrôlez le fonctionnement de la transmission.

1

Montage de la partie supérieure du guidon

Pièces nécessaires pour cette opération:

2	Boulons de guidon
2	Rondelles bombées
2	Contre-écrous

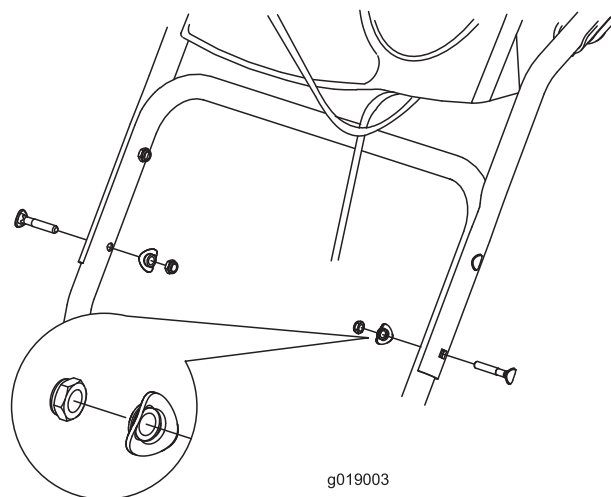


Figure 3

Procédure

1. Soulevez et faites pivoter la partie supérieure du guidon pour la placer au-dessus de la partie inférieure (Figure 3).
2. Installez 2 boulons de guidon, 2 rondelles bombées et 2 contre-écrous dans les trous inférieurs du guidon (Figure 3).

2

Montage de la tringlerie de commande de déplacement

Pièces nécessaires pour cette opération:

2	Goupille fendue
3	Rondelle plate

Procédure

1. Insérez l'extrémité dans le bras de liaison inférieur de sorte que l'extrémité courbe de la tige de commande de vitesse soit dirigée vers l'arrière (Figure 4).

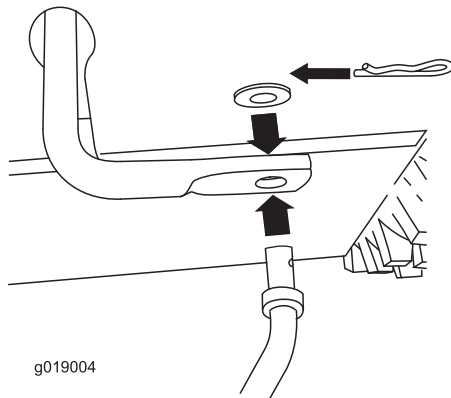


Figure 4

2. Fixez l'extrémité inférieure de la tige de commande de vitesse avec une rondelle plate et une goupille fendue (Figure 4).
3. Placez une rondelle plate sur le tourillon (Figure 5).

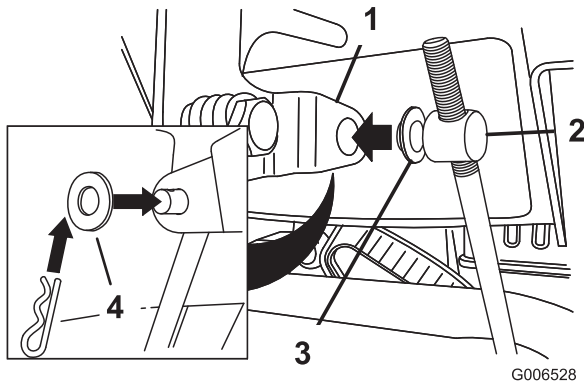


Figure 5

1. Levier sélecteur de vitesse
2. Tourillon
3. Rondelle intérieure
4. Rondelle extérieure

4. Placez le sélecteur de vitesses à la position R2.
5. Tournez le bras de liaison inférieur complètement vers le haut (sens anti-horaire) (Figure 6).

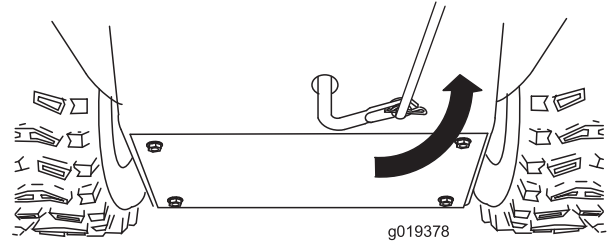


Figure 6

6. Tirez la tige de commande de vitesse et insérez le tourillon dans le trou du levier sélecteur de vitesses (Figure 5).

Remarque: Si le tourillon ne rentre pas dans le trou lorsque vous soulevez la tige de commande de vitesses, tournez-le en haut ou en bas sur la tige jusqu'à ce qu'il rentre dans le trou.

7. Fixez le tourillon et l'extrémité supérieure de la tige de commande de vitesse avec une rondelle et une goupille fendue.

Remarque: Pour faciliter l'installation, regardez par l'ouverture du sélecteur de vitesses (Figure 7).

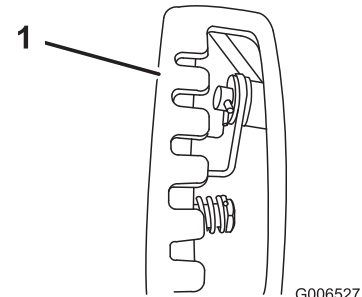


Figure 7

1. Levier de changement de vitesses

3

Montage de l'éjecteur

Pièces nécessaires pour cette opération:

2	Écrou
2	Boulon de carrosserie
2	Rondelle plate

Procédure

1. Placez l'éjecteur sur le cadre et alignez la patte de montage sur le support de l'éjecteur.

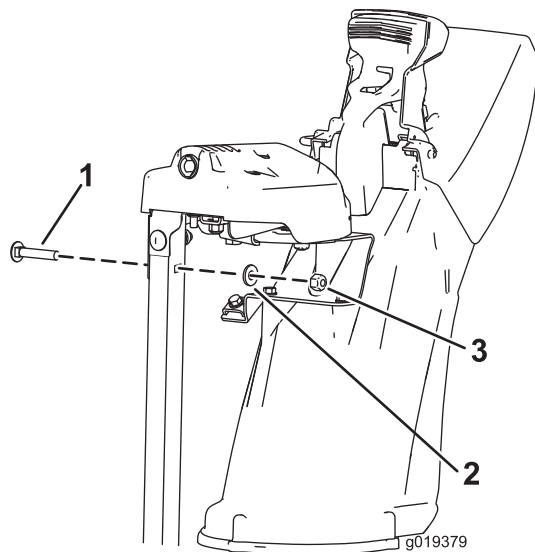


Figure 8

1. Boulon de carrosserie
2. Rondelle plate
3. Écrou

2. Fixez le support de l'éjecteur à l'aide de 2 boulons, 2 écrous et 2 rondelles plates.

4

Montage de la tige d'orientation de l'éjecteur

Pièces nécessaires pour cette opération:

2	Boulons de carrosserie
2	Contre-écrous

Procédure

1. Déballez le Quick Stick et tournez-le de façon à le redresser et le centrer.
2. Appuyez sur le déclencheur bleu et tirez le levier à fond en arrière.

Remarque: L'éjecteur et le déflecteur doivent être tournés vers l'avant. S'ils ne le sont pas, maintenez le déclencheur bleu enfoncé (mais sans bouger le Quick Stick) et tournez l'éjecteur jusqu'à ce qu'ils soient orientés correctement.

3. Alignez l'extrémité plate arrière de la longue tige d'orientation de l'éjecteur sur l'extrémité plate avant de la tige courte qui part du panneau de commande de façon à les engager l'une dans l'autre (Figure 9).

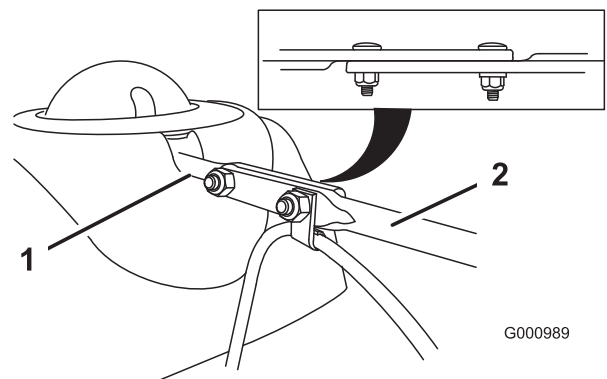


Figure 9

1. Tige courte
2. Tige longue

4. Insérez l'avant de la tige dans l'ouverture au dos du couvercle du secteur denté de l'éjecteur jusqu'à ce qu'il glisse dans le secteur denté (Figure 10).

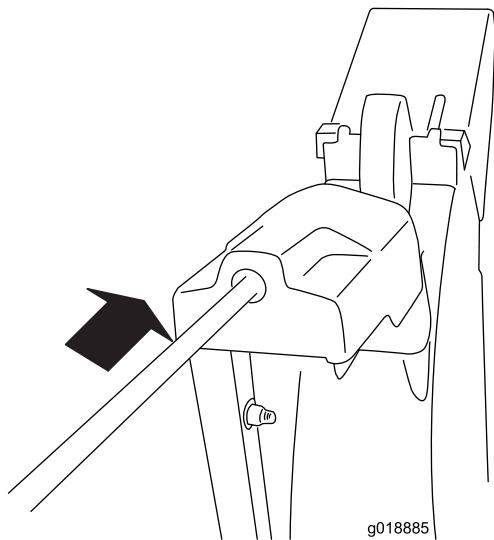


Figure 10

5

Contrôle du niveau d'huile moteur

Aucune pièce requise

Procédure

À la livraison de la machine, le carter moteur contient de l'huile.

Remarque: Avant de mettre le moteur en marche, vérifiez le niveau d'huile moteur et faites l'appoint si nécessaire.

Utilisez une huile détergente automobile de classe de service API SF, SG, SH, SJ, SL ou supérieure. Reportez-vous au manuel du propriétaire du moteur.

Reportez-vous à la Figure 12 ci-dessous pour sélectionner la viscosité d'huile la mieux adaptée pour la plage de température extérieure anticipée :

5. Alignez les trous des extrémités réunies des tiges et insérez 2 boulons de carrosserie (pris dans le sachet de pièces détachées) dans la tige courte par le côté gauche de la machine (vu de la position d'utilisation).
6. Insérez le serre-câble qui supporte le câble du déflecteur sur le boulon avant et fixez les boulons au moyens de contre-écrous fournis dans le sachet de pièces détachées (Figure 11).

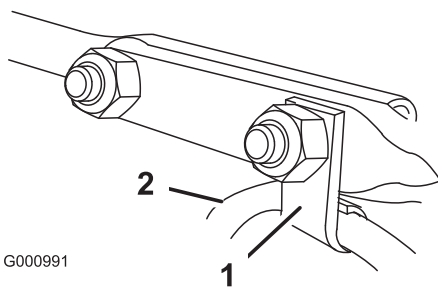


Figure 11

1. Serre-câble
2. Câble de déflecteur

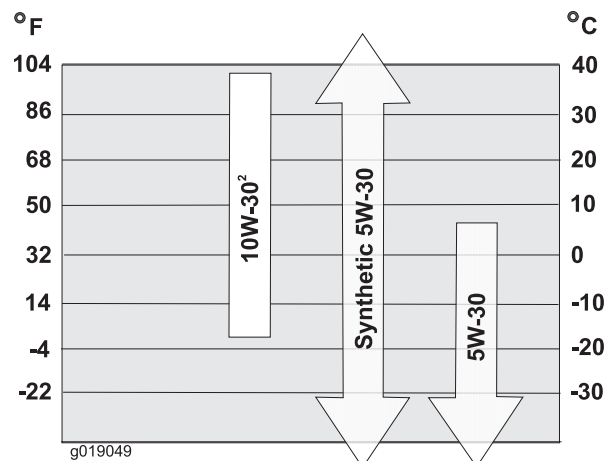


Figure 12

7. Maintenez le déclencheur bleu enfoncé et faites effectuer un cercle au Quick Stick pour vérifier que l'éjecteur et le déflecteur fonctionnent correctement.

Capacités d'huile moteur

Modèle	Capacité d'huile moteur
37771	0,53 à 0,59 l (18 à 20 oz)
37772	

1. Retirez la jauge et versez de l'huile **lentement** dans le goulot de remplissage pour faire monter le niveau de liquide jusqu'au repère du plein (Full) sur la jauge. **Ne remplissez pas excessivement**(Figure 13).

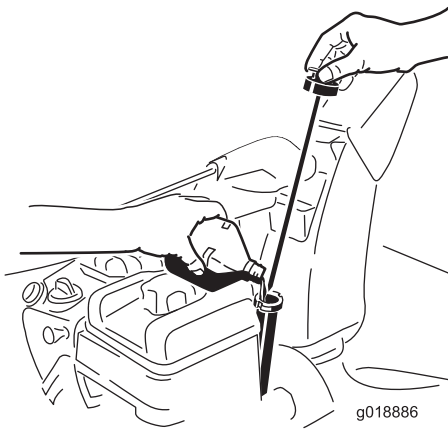


Figure 13

2. Revissez la jauge fermement en place.

Remarque: Ne laissez pas couler d'huile autour du goulot de remplissage, car elle risque de se répandre sur les pièces de la transmission et de la faire patiner.

6

Contrôle de la pression des pneus

Aucune pièce requise

Procédure

Les pneus sont surgonflés à l'usine pour l'expédition. Avant d'utiliser la machine, réduisez la pression des deux pneus à une même valeur comprise entre 1,16 et 1,37 bar (17 et 20 psi).

7

Contrôle de la lame racleuse et des patins

Aucune pièce requise

Procédure

Reportez-vous à la rubrique Contrôle et réglage des patins et de la lame racleuse de la section Entretien.

8

Contrôle du fonctionnement de la transmission aux roues

Aucune pièce requise

Procédure

⚠ PRUDENCE

Si la transmission n'est pas réglée correctement, la machine risque de se déplacer dans la direction opposée à celle recherchée, et de causer des blessures et/ou des dommages matériels.

Vérifiez soigneusement la transmission et réglez-la au besoin.

Remarque: Pour contrôler la transmission aux roues, la fonction automotrice doit être engagée en fixant les roues dans l'essieu Voir (page).

1. Mettez le moteur en marche; voir Démarrage du moteur.
2. Placez le sélecteur de vitesses à la position R1; voir Utilisation du sélecteur de vitesses.
3. Serrez le levier gauche (déplacement) contre la poignée (Figure 14).

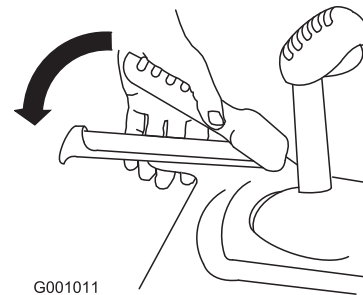


Figure 14

La machine devrait reculer. Si ce n'est pas le cas, ou si la machine se déplace en avant, procédez comme suit :

- A. Relâchez le levier de commande de déplacement et coupez le moteur.
 - B. Retirez le tourillon du sélecteur de vitesses (Figure 5).
 - C. Tournez le tourillon vers le bas (sens horaire) sur la tige de commande de vitesse (Figure 5).
 - D. Remettez le tourillon sur le sélecteur de vitesses (Figure 5).
4. Relâchez le levier de commande de déplacement.

5. Placez le sélecteur de vitesses à la position 1; voir Utilisation du sélecteur de vitesses.
6. Serrez le levier gauche (déplacement) contre la poignée (Figure 14).

La machine devrait avancer. Si la machine ne bouge pas ou se déplace en arrière, procédez comme suit :

- A. Relâchez le levier de commande de déplacement et coupez le moteur.
 - B. Retirez le tourillon du sélecteur de vitesses (Figure 5).
 - C. Tournez le tourillon vers le haut (sens antihoraire) sur la tige de commande de vitesse (Figure 5).
 - D. Remettez le tourillon sur le sélecteur de vitesses (Figure 5).
7. Recommencez cette procédure jusqu'à ce qu'aucun réglage supplémentaire ne soit requis.

Important: Si la machine se déplace alors que le levier de commande de déplacement est desserré, vérifiez le câble de commande de déplacement (voir Contrôle et réglage du câble de commande de déplacement) ou portez la machine chez un réparateur agréé pour la faire réviser.

Vue d'ensemble du produit

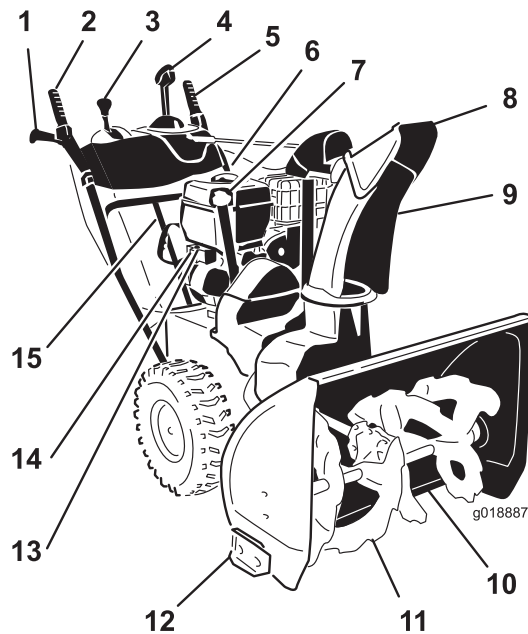


Figure 15

- | | |
|------------------------------------------------------|------------------------------------|
| 1. Poignée (2) | 9. Éjecteur |
| 2. Entraînement de la vis sans fin/turbine | 10. Lame racluse |
| 3. Levier sélecteur de vitesse | 11. Vis sans fin |
| 4. Commande d'orientation de l'éjecteur Quick Stick™ | 12. Patin (2) |
| 5. Levier de commande de déplacement | 13. Bouton de démarreur électrique |
| 6. Bouchon du réservoir de carburant | 14. Prise de démarreur électrique |
| 7. Goulot de remplissage/jauge d'huile moteur | 15. Outil de déneigement |
| 8. Déflecteur d'éjecteur | |

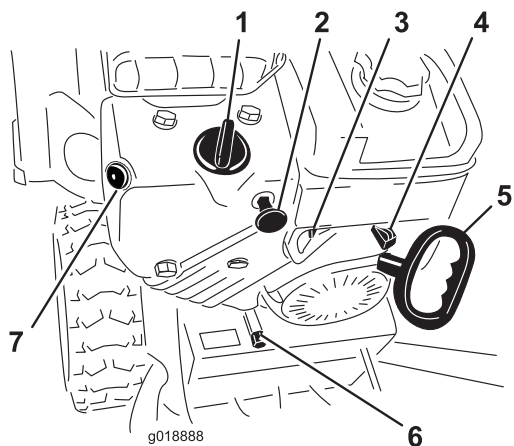


Figure 16

- | | |
|-----------------------------------|-------------------------------|
| 1. Starter | 5. Démarreur à lanceur |
| 2. Commutateur d'allumage | 6. Bouchon de vidange d'huile |
| 3. Robinet d'arrivée de carburant | 7. Amorceur |
| 4. Commande d'accélérateur | |

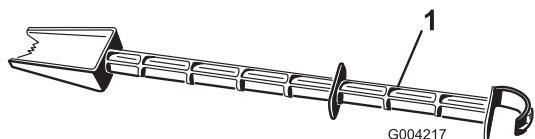


Figure 17

1. Outil de déneigement (attaché au guidon)

Utilisation

Remarque: Les côtés gauche et droit de la machine sont déterminés d'après la position d'utilisation normale.

Fonctionnement en roue libre ou utilisation de l'autotraction

La souffleuse à neige peut être utilisée en roue libre ou en autopropulsion.

Pour déplacer la machine en roue libre, glissez les roues vers l'intérieur et insérez les goupilles dans les trous de l'essieu, mais pas dans les moyeux (Figure 18).

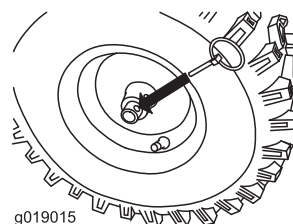


Figure 18

Pour que la machine se propulse automatiquement, insérez la goupille dans les trous des moyeux de roue et dans les trous intérieurs des essieux (Figure 19).

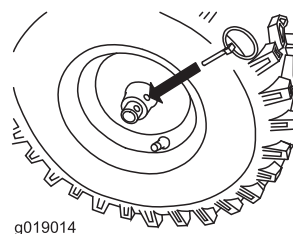


Figure 19

Remplissage du réservoir de carburant

⚠ DANGER

L'essence est extrêmement inflammable et explosive. Un incendie ou une explosion causé(e) par de l'essence peut vous brûler, ainsi que les personnes se tenant à proximité.

- Pour éviter que l'électricité statique n'enflamme l'essence, posez le récipient et/ou la machine directement sur le sol, pas dans un véhicule ou sur un support quelconque, avant de faire le plein.
- Faites le plein du réservoir de carburant à l'extérieur quand le moteur est froid. Essuyez le carburant éventuellement répandu.
- Ne fumez jamais en manipulant de l'essence et tenez-vous à l'écart des flammes nues ou des sources d'étincelles.
- Conservez l'essence dans un récipient homologué, hors de la portée des enfants.
- Pour assurer le fonctionnement optimal de la machine, utilisez uniquement de l'essence sans plomb propre et fraîche avec un indice d'octane de 87 ou plus (méthode de calcul $[R+M]/2$).
- L'utilisation de carburant oxygéné contenant jusqu'à 10 % d'éthanol ou 15 % de MTBE par volume est tolérée.
- N'utilisez **pas** de mélanges d'essence à l'éthanol (E15 ou E85 par exemple) avec plus de 10 % d'éthanol par volume. Cela peut entraîner des problèmes de performances et/ou des dommages au moteur qui peuvent ne pas être couverts par la garantie.
- N'utilisez **pas** d'essence contenant du méthanol.
- Ne stockez **pas** le carburant dans le réservoir ou dans des bidons de carburant pendant l'hiver à moins d'utiliser un stabilisateur de carburant.
- N'ajoutez **pas** d'huile à l'essence.

Important: Pour réduire les problèmes de démarrage, ajoutez un stabilisateur à chaque plein et utilisez de l'essence stockée depuis moins d'un mois. *N'ajoutez pas d'huile à l'essence.*

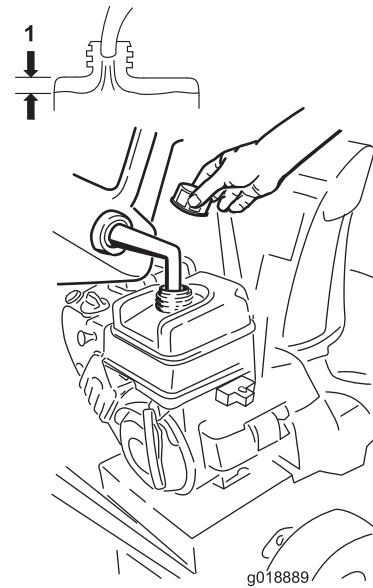


Figure 20

1. 3,8 cm (1-1/2 po)

Démarrage du moteur

1. Contrôlez le niveau d'huile moteur. Voir Contrôle du niveau d'huile moteur à la section Entretien.
2. Ouvrez le robinet de carburant en le tournant de 1/4 de tour dans le sens antihoraire (Figure 21).

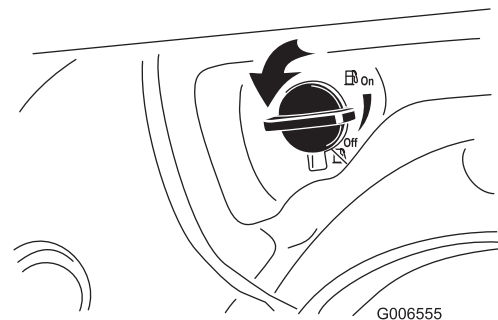


Figure 21

3. Insérez la clé de contact dans le commutateur d'allumage (Figure 22).

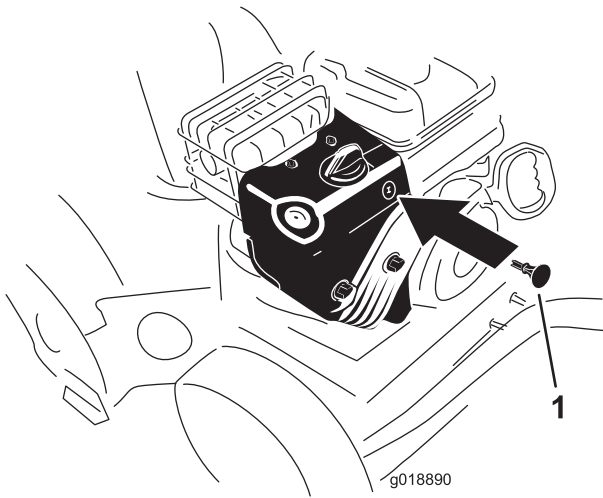


Figure 22

1. Clé de contact

4. Appuyez fermement à 2 reprises sur l'amorceur avec le pouce (à partir de $-9\text{ }^{\circ}\text{C}$ [$15\text{ }^{\circ}\text{F}$]) ou à 4 reprises (en dessous de $-9\text{ }^{\circ}\text{C}$ [$15\text{ }^{\circ}\text{F}$]), en marquant une pause d'une seconde chaque fois (Figure 23).

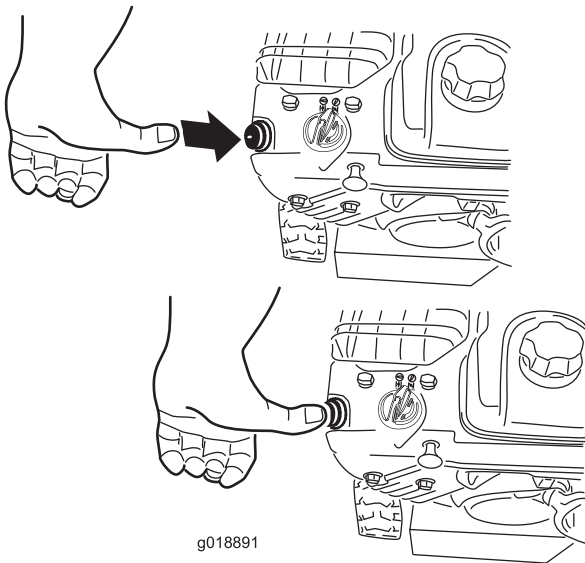


Figure 23

5. Tournez la commande de starter à la position Starter sélectionné (Figure 24).

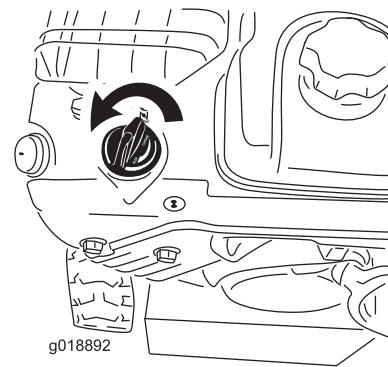


Figure 24

6. Placez la commande d'accélérateur en position haut régime (Figure 25).

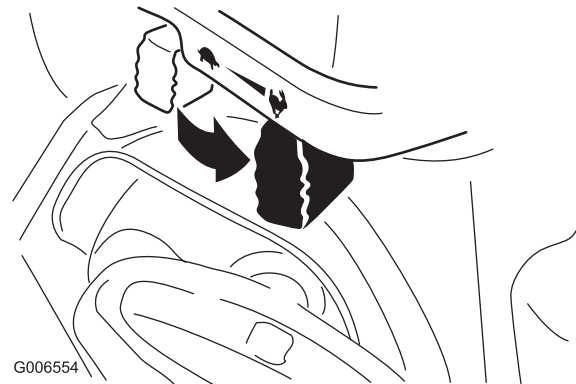


Figure 25

7. Démarrez la machine en tirant sur le lanceur ou en appuyant sur le bouton du démarreur électrique (Figure 26).

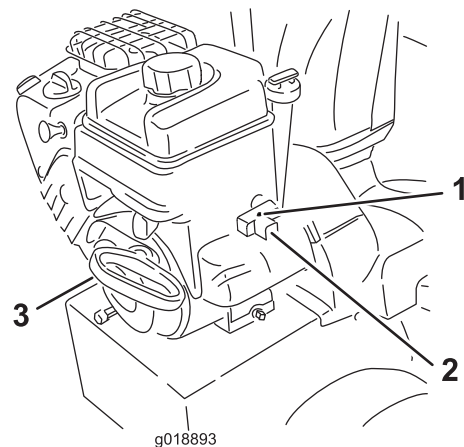


Figure 26

- | | |
|----------------------------------|------------------------|
| 1. Bouton de démarreur | 3. Démarreur à lanceur |
| 2. Prise de démarreur électrique | |

Remarque: Pour utiliser le démarreur électrique, raccordez un cordon d'alimentation d'abord au

démarrateur puis à une prise d'alimentation. Utilisez uniquement une rallonge homologuée UL de calibre 16 recommandée pour l'utilisation à l'extérieur de 15 m (50') de longueur maximum.

⚠ ATTENTION

Le cordon d'alimentation peut être endommagé et provoquer un choc électrique ou un incendie.

Examinez soigneusement la rallonge avant d'utiliser la machine. Si la rallonge est endommagée, n'utilisez pas la machine. Réparez ou remplacez immédiatement le cordon d'alimentation s'il est endommagé. Adressez-vous à un réparateur agréé.

Important: Pour éviter d'endommager le démarreur électrique, ne l'actionnez que brièvement (5 secondes maximum, puis attendez une minute avant de recommencer). Si le moteur ne démarre toujours pas, portez la machine chez un réparateur Toro agréé pour la faire réviser.

8. Débranchez le cordon d'alimentation, d'abord de la prise puis de la machine (démarrage électrique seulement).
9. Laissez chauffer le moteur quelques minutes; tournez la commande de starter vers la position Marche. Attendez que le moteur tourne régulièrement avant de modifier le réglage du starter.

⚠ PRUDENCE

Si vous laissez la machine branchée à une prise secteur, elle risque d'être mise en marche accidentellement, et de blesser quelqu'un ou de causer des dommages matériels.

Débranchez le cordon d'alimentation quand la machine ne sert pas.

Arrêt du moteur

1. Déplacez la commande d'accélérateur en position Bas régime, puis en position Arrêt (Figure 27).



Figure 27

2. Attendez l'arrêt de toutes les pièces mobiles avant de quitter la position d'utilisation.
3. Enlevez la clé de contact.
4. Fermez le robinet de carburant en le tournant dans le sens horaire (Figure 28).

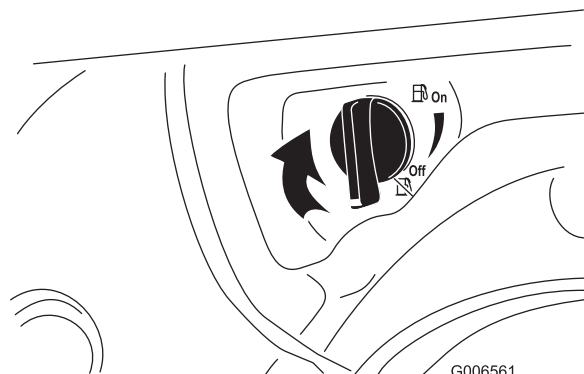


Figure 28

5. Tirez sur le lanceur à 3 ou 4 reprises. Ceci aide à éviter le gel du lanceur.

Fonctionnement de la transmission aux roues

⚠ PRUDENCE

Si la transmission n'est pas réglée correctement, la machine risque de se déplacer dans la direction opposée à celle recherchée, et de causer des blessures et/ou des dommages matériels.

Vérifiez soigneusement la transmission et réglez-la au besoin. Pour plus de renseignements, consultez la rubrique Contrôle du fonctionnement de la transmission aux roues à la rubrique Préparation.

Important: Si la machine se déplace alors que le levier de commande de déplacement est desserré, vérifiez le câble de commande de déplacement (voir Contrôle et réglage du câble de commande de déplacement) ou

portez la machine chez un réparateur agréé pour la faire réviser.

Important: Pour actionner la transmission aux roues, la fonction d'autotraction de la machine doit être engagée. Voir Fonctionnement en roue libre ou utilisation du système d'autotraction.

1. Pour engager la transmission aux roues, serrez le levier gauche (déplacement) contre la poignée (Figure 29).

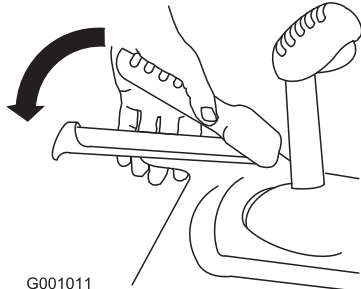


Figure 29

2. Pour arrêter le déplacement de la machine, relâchez le levier.

Utilisation du sélecteur de vitesses

Le sélecteur permet de sélectionner 6 vitesses en marche avant et 2 en marche arrière. Pour changer de vitesse, relâchez le levier de commande de déplacement et placez le sélecteur à la position voulue (Figure 30). Le levier s'engage dans un cran pour chaque vitesse choisie.

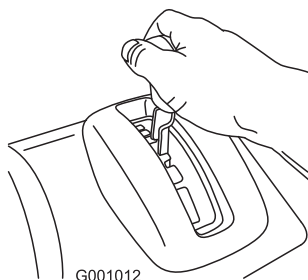


Figure 30

Utilisation de la commande de la vis sans fin/turbine

1. Pour engager la vis sans fin/turbine, serrez le levier droit (vis sans fin/turbine) contre la poignée (Figure 31).

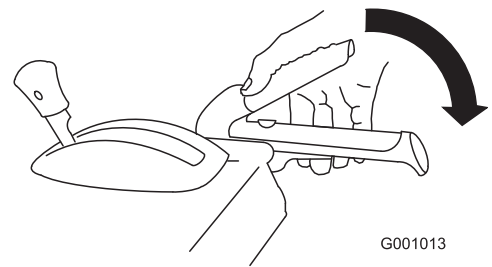


Figure 31

2. Relâchez le levier droit pour arrêter la vis sans fin et la turbine.

Important: Lorsque vous engagez à la fois le levier de commande de la vis sans fin/turbine et le levier de commande de déplacement, ce dernier bloque le levier de la vis sans fin/turbine, ce qui libère votre main droite. Pour relâcher les deux leviers, il suffit de relâcher le levier gauche (déplacement).

3. Si la vis sans fin et la turbine continuent de tourner après que vous avez relâché le levier de commande, n'utilisez pas la machine. Contrôlez le câble de commande de la vis sans fin/turbine (voir Contrôle et réglage du câble de commande de la vis sans fin/turbine) et réglez-le au besoin. Portez sinon la machine chez un dépositaire agréé pour la faire réviser.

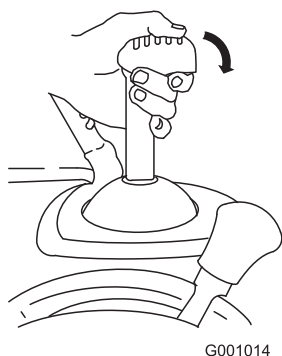
⚠ ATTENTION

Si la vis sans fin et la turbine continuent de tourner après que vous avez relâché le levier de commande de la vis sans fin/turbine, n'utilisez pas la machine. Vous pourriez vous blesser gravement ou blesser d'autres personnes.

Portez-la chez un réparateur Toro agréé pour la faire réviser.

Utilisation du Quick Stick™

Appuyez de façon continue sur le déclencheur bleu pour utiliser le Quick Stick afin de déplacer l'éjecteur et son déflecteur. Relâchez le déclencheur pour bloquer l'éjecteur et le déflecteur en position (Figure 32).



G001014

Figure 32

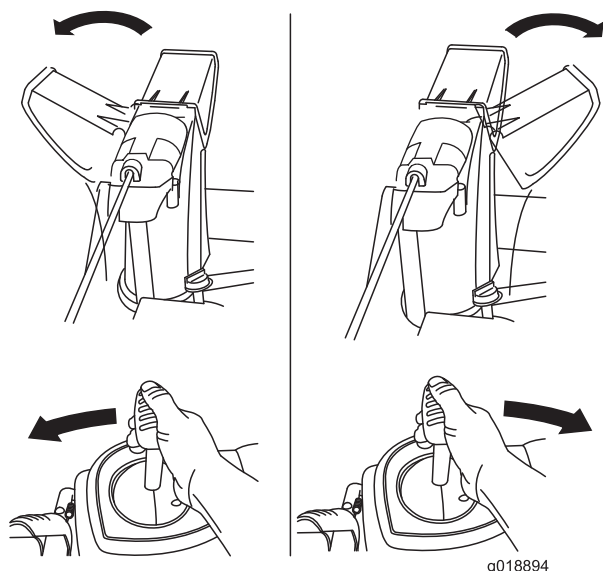


G001016

Figure 34

Déplacement de l'éjecteur

Appuyez de façon continue sur le déclencheur bleu puis déplacez le Quick Stick vers la gauche pour orienter l'éjecteur à gauche, ou vers la droite pour orienter l'éjecteur à droite (Figure 33).



g018894

Figure 33

- Si l'éjecteur ne bouge pas, reportez-vous à la section Réglage du verrou de l'éjecteur.
- Si l'éjecteur ne tourne pas autant à gauche qu'à droite, vérifiez que le câble passe à l'intérieur du guidon. Voir Montage de la partie supérieure du guidon.
- Si l'éjecteur ne se bloque pas en position quand vous relâchez le déclencheur, reportez-vous à la section Réglage du verrou de l'éjecteur.

Déplacement du déflecteur

Maintenez le déclencheur bleu enfoncé et déplacez le Quick Stick vers l'avant pour abaisser le déflecteur, ou vers l'arrière pour l'élever (Figure 34).

Dégagement de l'éjecteur

⚠ ATTENTION

Si la vis sans fin/turbine fonctionne mais que la neige n'est pas éjectée, l'éjecteur est peut-être bouché.

N'utilisez jamais vos mains pour déboucher un éjecteur obstrué. Vous pourriez vous blesser.

- Pour déboucher l'éjecteur, restez à la position de fonctionnement et débloquez le levier (de déplacement) gauche. La vis sans fin/turbine étant en marche, appuyez sur le guidon pour soulever l'avant de la machine de quelques centimètres. Soulevez ensuite le guidon rapidement pour cogner le sol avec l'avant de la machine. Répétez cette procédure au besoin jusqu'à ce que la neige sorte régulièrement par l'éjecteur.
- S'il est impossible de déboucher l'éjecteur en cognant l'avant de la machine sur le sol, **arrêtez le moteur, attendez l'arrêt complet de toutes les pièces mobiles, puis dégagez l'obstruction à l'aide d'un outil de nettoyage et jamais avec la main.**

Important: Les patins peuvent être déplacés si vous cognez l'avant de la machine sur le sol pour déboucher l'éjecteur. Réglez les patins et serrez leurs boulons fermement.

Prévention du blocage par le gel

- Dans certaines conditions enneigées et par temps froid, certaines commandes et pièces mobiles peuvent être bloquées par le gel. **Ne forcez jamais les commandes pour les faire fonctionner lorsqu'elles sont gelées.** Si certaines commandes ou pièces sont difficiles à utiliser, mettez le moteur en marche et laissez-le tourner quelques minutes.
- Après utilisation de la machine, laissez le moteur tourner quelques minutes pour éviter que les pièces mobiles ne

soient bloquées par le gel. Engagez la vis sans fin/turbine pour évacuer toute la neige encore présente dans le carénage. Tournez le Quick Stick pour l'empêcher d'être bloqué par le gel. Arrêtez le moteur, attendez l'arrêt de toutes les pièces mobiles et enlevez la glace et la neige qui se trouvent sur la machine.

- Une fois le moteur arrêté, tirez la poignée du lanceur à plusieurs reprises et appuyez une fois sur le bouton du démarreur électrique pour empêcher les démarreurs électrique et à lanceur de geler.

Conseils d'utilisation

⚠ DANGER

Quand la machine est en marche, la vis sans fin et la turbine tournent et peuvent blesser ou sectionner les mains ou les pieds.

- Avant de régler, nettoyer, contrôler, dépanner ou réparer la machine, coupez le moteur et attendez l'arrêt complet de toutes les pièces mobiles. Débranchez le fil de la bougie et éloignez-le pour éviter tout risque de démarrage accidentel.
- Retirez l'obstruction de l'éjecteur; voir Dégagement de l'éjecteur. Le cas échéant, dégagez l'éjecteur à l'aide de l'outil de nettoyage, jamais avec la main.
- Restez derrière le guidon et n'approchez pas de l'ouverture d'éjection durant l'utilisation de la machine.
- Gardez les pieds, les mains, le visage et toute autre partie du corps ou les vêtements à l'écart des pièces cachées, mobiles ou en rotation.

⚠ ATTENTION

Des pierres, des jouets ou d'autres objets peuvent être ramassés et projetés par la turbine et blesser gravement l'utilisateur ou des personnes à proximité.

- Ne laissez pas d'objets susceptibles d'être ramassés et projetés par la vis sans fin dans la zone à déblayer.
- Tenez les enfants et les animaux domestiques à l'écart de la zone de travail.
- Réglez toujours la commande d'accélérateur sur haut régime pour déblayer la neige.
- Si le moteur ralentit sous l'effet d'une charge ou si les roues patinent, sélectionnez une vitesse plus basse.
- Si l'avant de la machine se soulève, sélectionnez une vitesse plus basse. Si l'avant continue de se soulever, soulevez la machine par les poignées.

Entretien

Remarque: Les côtés gauche et droit de la machine sont déterminés d'après la position d'utilisation normale.

Programme d'entretien recommandé

Périodicité d'entretien	Procédure d'entretien
Après les 2 premières heures de fonctionnement	<ul style="list-style-type: none">• Contrôlez et réglez le câble de commande de déplacement au besoin.• Contrôlez et réglez le câble de commande de la vis sans fin/turbine au besoin.
Après les 5 premières heures de fonctionnement	<ul style="list-style-type: none">• Vidangez et remplacez l'huile moteur.
À chaque utilisation ou une fois par jour	<ul style="list-style-type: none">•• Contrôlez le niveau d'huile moteur et faites l'appoint si nécessaire.
Une fois par an	<ul style="list-style-type: none">• Contrôlez les patins et la lame racleuse et réglez-les au besoin.• Contrôlez le câble de commande de déplacement et réglez-le ou remplacez-le au besoin.• Contrôlez le câble de commande de la vis sans fin/turbine et réglez-le ou remplacez-le au besoin.• Contrôlez le niveau d'huile du boîtier d'engrenages de la vis sans fin et faites l'appoint si nécessaire.• Vidangez et remplacez l'huile moteur.• Graissez l'arbre hexagonal.• Remplacez la bougie.
Une fois par an ou avant le remisage	<ul style="list-style-type: none">• Vérifiez la pression des pneus et gonflez-les à 1,16–1,37 bar (17–20 psi).• En fin de saison, vidangez le réservoir de carburant et faites tourner le moteur pour assécher complètement le réservoir et le carburateur.• Demandez à un réparateur agréé de contrôler et de remplacer la courroie de déplacement et/ou la courroie d'entraînement de la vis sans fin/turbine le cas échéant.

Important: Vous trouverez d'autres informations sur l'entretien et la révision de la machine sur le site www.Toro.com.

Important: Reportez-vous au manuel de l'utilisateur du moteur pour toutes procédures d'entretien supplémentaires. Pour les réglages, réparations ou entretiens couverts par la garantie qui ne sont pas traités dans ce manuel, adressez-vous à un réparateur Briggs & Stratton agréé.

Périodicité des entretiens: À chaque utilisation ou une fois par jour

2. Ressortez la jauge et vérifiez le niveau d'huile (Figure 35). Faites l'appoint si le niveau est en dessous du repère "Add" sur la jauge. Voir Plein d'huile du carter moteur.

Préparation à l'entretien

1. Amenez la machine sur un sol plat et horizontal.
2. Coupez le moteur et attendez l'arrêt de toutes les pièces mobiles.
3. Débranchez le fil de la bougie. Voir Remplacement de la bougie.

Contrôle du niveau d'huile moteur

Périodicité des entretiens: À chaque utilisation ou une fois par jour—Contrôlez le niveau d'huile moteur et faites l'appoint si nécessaire.

1. Retirez la jauge, essuyez-la sur un chiffon et remettez-la dans le goulot de remplissage.

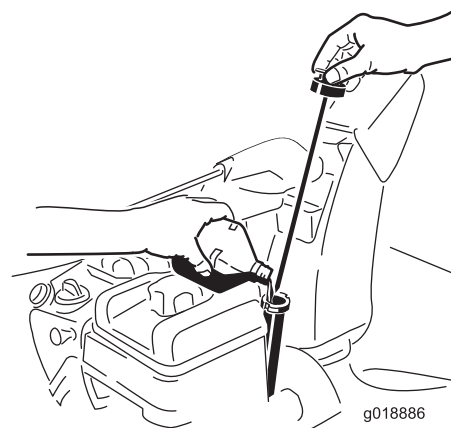


Figure 35

Contrôle et réglage des patins et de la lame racleuse

Périodicité des entretiens: Une fois par an—Contrôlez les patins et la lame racleuse et réglez-les au besoin.

Contrôlez les patins et la lame racleuse pour vérifier que la vis sans fin ne touche pas le sol. Réglez les patins et la lame racleuse selon les besoins pour compenser l'usure.

1. Contrôlez la pression des pneus. Voir Contrôle de la pression des pneus.
2. Desserrez les écrous de fixation des deux patins aux côtés de la vis sans fin jusqu'à ce que les patins puissent glisser aisément vers le haut et vers le bas.

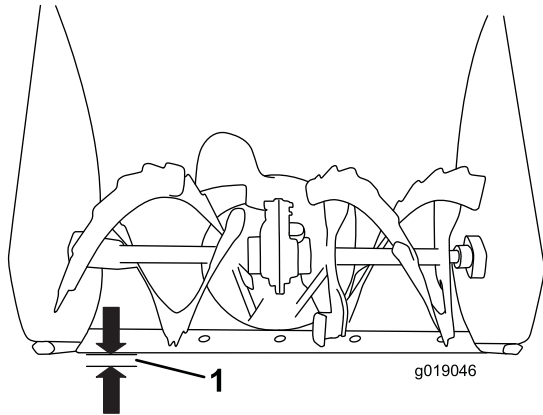


Figure 36

1. 3 mm (1/8 po)

Important: Les patins doivent supporter les lames de la vis sans fin au-dessus du sol.

3. Vérifiez que la lame racleuse est bien parallèle et à 3 mm (1/8 po) de la surface du sol.

Remarque: Si le sol est fissuré, inégal ou irrégulier, réglez les patins de manière à élever la lame racleuse. Sur le gravier, réglez les patins plus bas pour éviter que la machine ne ramasse des cailloux.

4. Abaissez les patins jusqu'à ce qu'ils soient de niveau avec le sol.
5. Serrez fermement les écrous qui fixent les patins aux côtés de la vis sans fin.

Remarque: Pour régler rapidement les patins s'ils sont desserrés, supportez la lame racleuse à 3 mm (1/8 po) du sol, puis rapprochez les patins du sol.

Remarque: Si les patins sont excessivement usés, vous pouvez les retourner et les régler pour vous servir du côté intact.

Contrôle et réglage du câble de commande de déplacement

Périodicité des entretiens: Après les 2 premières heures de fonctionnement—Contrôlez et réglez le câble de commande de déplacement au besoin.

Une fois par an—Contrôlez le câble de commande de déplacement et réglez-le ou remplacez-le au besoin.

Si la machine ne bouge pas en marche avant ou arrière, ou si elle se déplace quand vous relâchez le levier de commande de déplacement, réglez le câble de commande de déplacement.

Si le câble gauche (déplacement) est mal réglé, procédez comme suit :

1. Desserrez l'écrou de blocage.
2. Engagez le levier de commande de déplacement et maintenez-le en place (Figure 37).

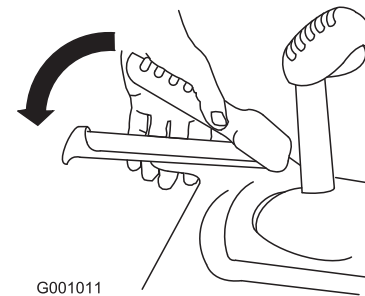


Figure 37

3. Desserrez ou serrez le tendeur afin de régler la longueur du ressort à 5,5 cm (2,18 po) (Figure 38).

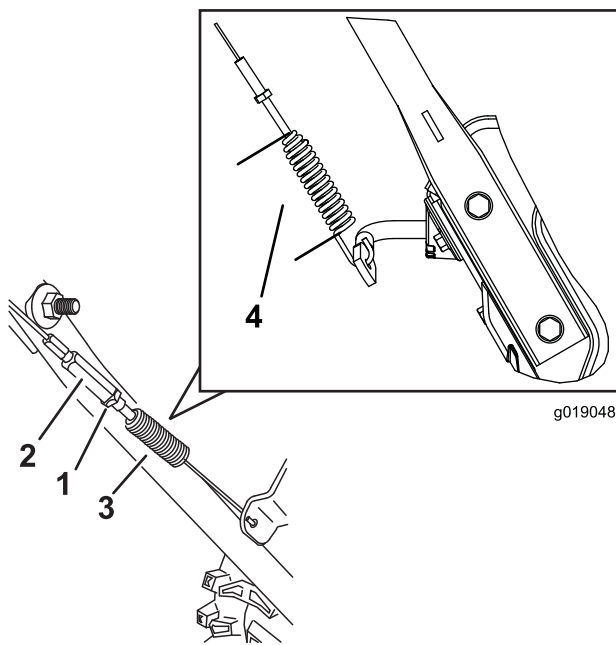


Figure 38

- | | |
|---------------------|---------------------|
| 1. Écrou de blocage | 3. Ressort |
| 2. Tendeur | 4. 5,5 cm (2,18 po) |

4. Serrez le contre-écrou (Figure 38) en vérifiant que le câble est légèrement tendu.
5. Si le câble de commande déplacement est correctement réglé mais qu'un problème subsiste, contactez un réparateur agréé.

Contrôle et réglage du câble de commande de la vis sans fin/turbine

Périodicité des entretiens: Après les 2 premières heures de fonctionnement—Contrôlez et réglez le câble de commande de la vis sans fin/turbine au besoin.

Une fois par an—Contrôlez le câble de commande de la vis sans fin/turbine et réglez-le ou remplacez-le au besoin.

1. Desserrez l'écrou de blocage.
2. Engagez le levier de la vis sans fin/turbine et maintenez-le en place (Figure 39).

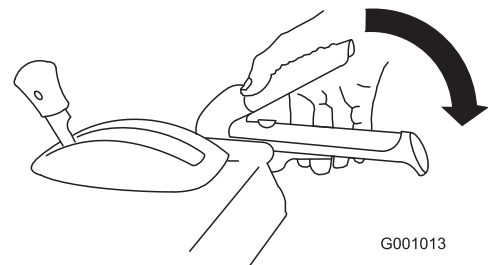


Figure 39

3. Desserrez ou serrez le tendeur pour régler la longueur du ressort à 7 cm (2,75 po) (Figure 40).

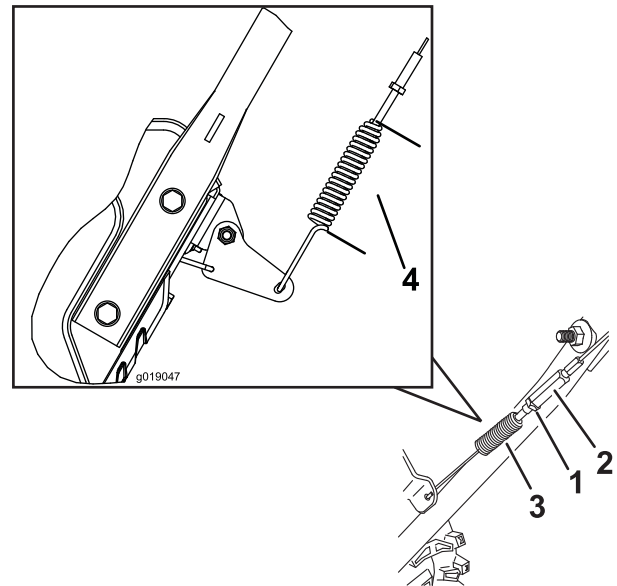


Figure 40

- | | |
|---------------------|-------------------|
| 1. Écrou de blocage | 3. Ressort |
| 2. Tendeur | 4. 7 cm (2,75 po) |

4. Serrez le contre-écrou (Figure 40) en vérifiant que le câble est légèrement tendu.
5. Si le câble de commande de la vis sans fin/turbine est correctement réglé mais qu'un problème subsiste, contactez un réparateur agréé.

Contrôle du niveau d'huile du boîtier d'engrenages de la vis sans fin

Périodicité des entretiens: Une fois par an—Contrôlez le niveau d'huile du boîtier d'engrenages de la vis sans fin et faites l'appoint si nécessaire.

1. Amenez la machine sur un sol plat et horizontal.
2. Nettoyez la surface autour du bouchon de tuyau (Figure 41).

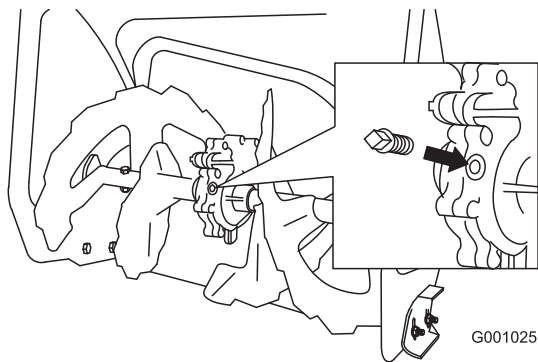


Figure 41

3. Retirez le bouchon de tuyau du boîtier d'engrenages.
4. Vérifiez le niveau d'huile dans le boîtier d'engrenages. Le niveau d'huile doit se situer à 9,5 mm (3/8 po) sous l'orifice de remplissage.
5. Si le niveau est trop bas, ajoutez de l'huile pour engrenages GL-5 ou GL-6, SAE 80-90 EP dans le boîtier d'engrenages jusqu'à ce que le niveau soit à 3/8 pouce en dessous de l'orifice de remplissage.

Remarque: N'utilisez pas d'huile synthétique.

6. Remettez le bouchon de tuyau dans le boîtier d'engrenages.

Vidange et remplacement de l'huile moteur

Périodicité des entretiens: Après les 5 premières heures de fonctionnement—Vidangez et remplacez l'huile moteur.

Une fois par an—Vidangez et remplacez l'huile moteur.

Dans la mesure du possible, faites tourner le moteur juste avant la vidange pour réchauffer l'huile, afin de faciliter son écoulement et d'entraîner plus d'impuretés.

Utilisez une huile détergente automobile de classe de service API SF, SG, SH, SJ, SL ou supérieure. Reportez-vous au manuel du propriétaire du moteur.

Reportez-vous à la Figure 42 ci-dessous pour sélectionner la viscosité d'huile la mieux adaptée pour la plage de température extérieure anticipée :

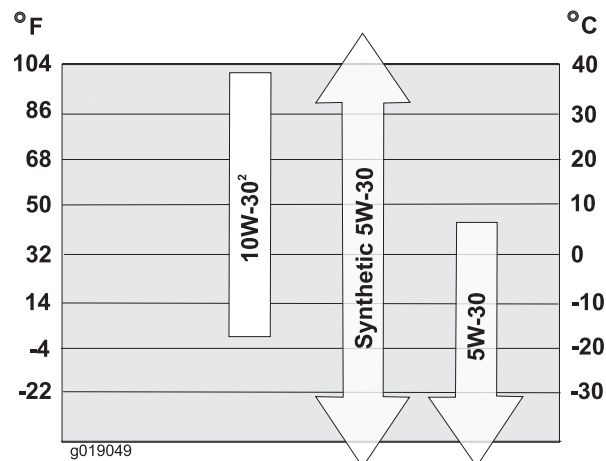


Figure 42

Capacités d'huile moteur

Modèle	Capacité d'huile moteur
37772	0,53 à 0,59 l (18 à 20 oz)
37775	

1. Nettoyez la surface autour du bouchon de vidange d'huile (Figure 43).

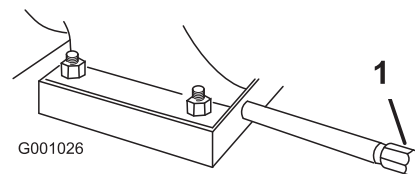


Figure 43

1. Bouchon de vidange d'huile
2. Placez un bac de vidange sous le tube de vidange et retirez le bouchon.
3. Vidangez l'huile.

Remarque: Débarrassez-vous correctement de l'huile usagée en la déposant dans un centre de recyclage agréé.
4. Remettez le bouchon de vidange.
5. Remplissez le carter moteur. Voir Plein d'huile du carter moteur.

Graissage de l'arbre hexagonal

Périodicité des entretiens: Une fois par an—Graissez l'arbre hexagonal.

Graissez légèrement l'arbre hexagonal une fois par an avec de l'huile moteur de type automobile (Figure 44).

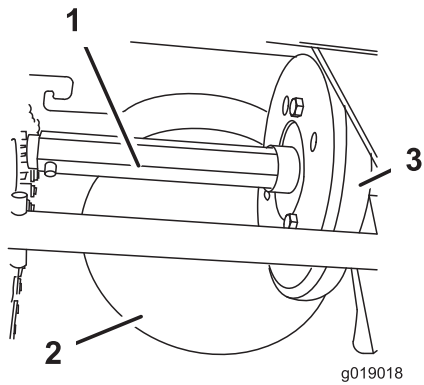


Figure 44

1. Arbre hexagonal
2. Poulie à friction en acier
3. Roue en caoutchouc

Important: Veillez à ne pas faire couler d'huile sur la roue en caoutchouc ou la poulie à friction en acier, sinon la transmission patinera (Figure 44).

1. Vidangez le réservoir de carburant.
2. Basculez la machine en avant sur le carter de la vis sans fin et calez-la pour qu'elle ne puisse pas tomber.
3. Retirez le couvercle arrière (Figure 45).

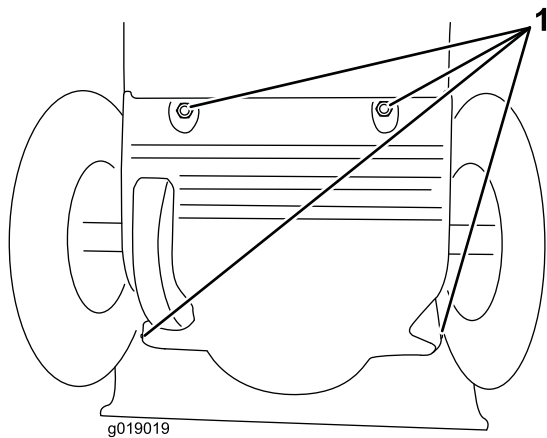


Figure 45

1. Vis

4. Placez le sélecteur de vitesses à la position R2.
5. Graissez **légèrement** l'arbre hexagonal à l'aide de votre doigt plongé dans l'huile moteur.
6. Placez le sélecteur de vitesses à la position 6.
7. Lubrifiez l'autre extrémité de l'arbre hexagonal.
8. Déplacez le sélecteur de vitesses en avant et en arrière à plusieurs reprises.
9. Montez le couvercle arrière et redressez la machine en position normale.

Remplacement de la bougie

Périodicité des entretiens: Une fois par an—Remplacez la bougie.

Utilisez une bougie **Champion QC12YC** ou équivalente.

Remarque: Vous devez retirer le capot anti-neige supérieur pour accéder à la bougie d'allumage (Figure 46).

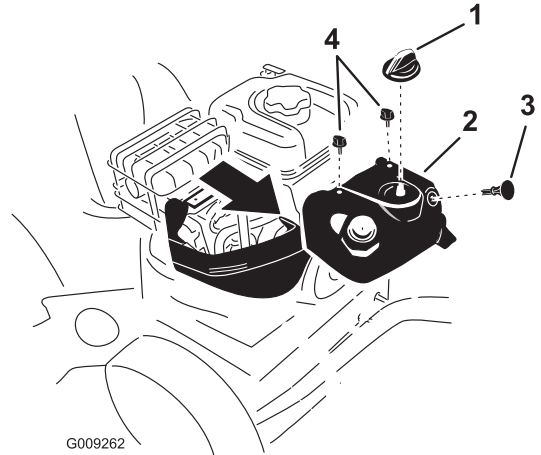


Figure 46

1. Commande de starter
2. Capot anti-neige supérieur
3. Clé de contact
4. Vis (2)

1. Enlevez la commande de starter et la clé de contact (Figure 46).
2. Enlevez les 2 vis qui fixent le capot anti-neige à la machine (Figure 46).
3. Enlevez **lentement** le capot anti-neige supérieur, en prenant soin de ne pas débrancher le flexible de la poire d'amorceur ni le câble d'allumage.
4. Enlevez la vis à oreilles du support et le support (Figure 47).

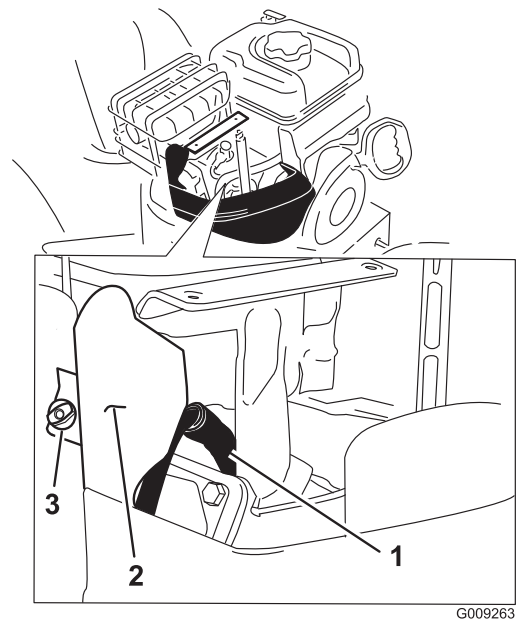


Figure 47

1. Fil de bougie
2. Support
3. Vis à oreilles

5. Nettoyez la surface autour de la base de la bougie (Figure 47).
6. Enlevez la bougie d'allumage usagée et mettez-la au rebut.

Remarque: Vous aurez besoin d'une rallonge de clé à cliquet pour enlever la bougie.

7. Réglez l'écartement des électrodes de la nouvelle bougie à 0,76 mm (0,030 po) (Figure 48).

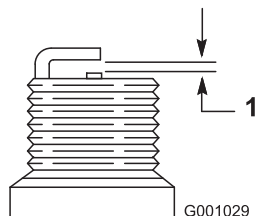


Figure 48

1. 0,76 mm (0,030 po)

8. Installez la nouvelle bougie d'allumage, serrez-la fermement et reliez le câble d'allumage à la bougie.
9. Fixez le support avec la vis à oreilles retirée à l'étape 4.
10. Le flexible de la poire d'amorceur et le câble d'allumage doivent être connectés et écartés du support du carburateur.
11. Fixez le capot anti-neige supérieur à la machine au moyen des 2 vis retirées précédemment.
12. Alignez la languette de la commande de starter sur la fente dans le capot anti-neige supérieur.
13. Montez la commande de starter sur son axe sur le carburateur.

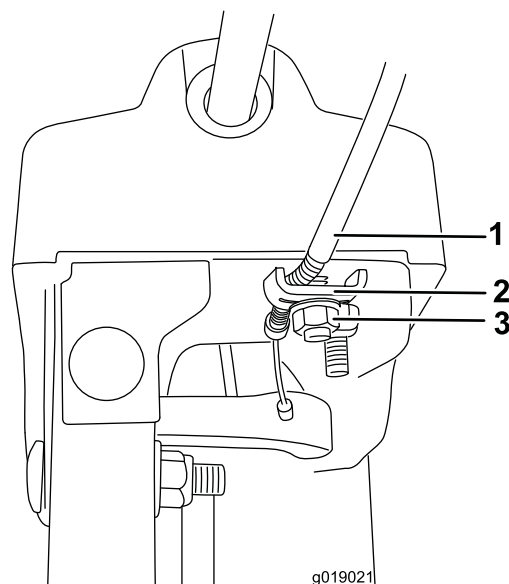


Figure 49

1. Gaine du câble
2. Serre-câble
3. Fixation de serre-câble

2. Éliminez le mou du câble en tirant la gaine en arrière.
3. Serrez la fixation de serre-câble tout en maintenant le câble en place.

Remplacement des courroies d'entraînement

Si la courroie d'entraînement de la vis sans fin/turbine ou la courroie de transmission est usée, imbibée d'huile ou autrement endommagée, demandez à un réparateur agréé de remplacer la courroie.

Réglage du verrou de l'éjecteur

Si l'éjecteur ne se bloque pas à la position voulue ou ne se débloque pas quand vous voulez modifier sa position, réglez son verrou.

1. Desserrez la fixation du serre-câble sur la plaque de support de l'éjecteur jusqu'à ce que le câble soit dégagé.

Remisage

⚠ ATTENTION

- Les vapeurs d'essence sont explosives.
- Ne conservez pas l'essence plus d'un mois.
- Ne remisez pas la machine dans un local fermé où se trouve une flamme nue.
- Laissez refroidir le moteur avant de remiser la machine.

Préparation de la machine au remisage

1. Lors du dernier plein de la saison, ajoutez un stabilisateur au carburant neuf selon les instructions du constructeur du moteur.

Remarque: Le carburant ne doit pas être stocké plus longtemps que ne le recommande le fabricant du stabilisateur.

2. Faites tourner le moteur 10 minutes pour faire circuler le carburant traité dans tout le circuit d'alimentation.
3. Laissez tourner le moteur de la machine jusqu'à ce qu'il s'arrête faute de carburant.
4. Amorcez et remettez le moteur en marche.
5. Laissez tourner le moteur jusqu'à ce qu'il s'arrête. Le moteur est suffisamment sec lorsqu'il n'y a plus moyen de le faire démarrer.
6. Arrêtez le moteur et laissez-le refroidir.
7. Enlevez la clé de contact.
8. Nettoyez soigneusement la machine.
9. Retouchez les surfaces écaillées avec une peinture en vente chez un dépositaire-réparateur agréé. Poncez les zones abîmées avant de les peindre et utilisez un produit anti-rouille pour prévenir la corrosion.
10. Serrez toutes les vis, tous les boulons et tous les contre-écrous qui en ont besoin. Réparez ou remplacez les pièces endommagées.
11. Couvrez la machine et remisez-la dans un endroit propre et sec, hors de la portée des enfants.

Remise en service après remisage

1. Déposez la bougie et faites tourner le moteur rapidement à l'aide du lanceur pour éliminer l'excédent d'huile dans le cylindre.
2. Montez la bougie et serrez-la fermement.

3. Branchez la bougie.
4. Effectuez les procédures d'entretien annuelle qui sont indiquées dans le Programme d'entretien recommandé.

Dépistage des défauts

Problème	Cause possible	Mesure corrective
Le démarreur électrique ne fonctionne pas (modèles à démarrage électrique seulement).	<ol style="list-style-type: none"> 1. Le cordon d'alimentation n'est pas branché à la prise secteur ou à la machine. 2. Le cordon d'alimentation est usé, corrodé ou endommagé. 3. La prise n'est pas sous tension. 	<ol style="list-style-type: none"> 1. Raccordez le cordon d'alimentation à la prise et/ou la machine. 2. Changez le cordon d'alimentation. 3. Demandez à un électricien qualifié de mettre la prise sous tension.
Le moteur ne démarre pas ou démarre difficilement.	<ol style="list-style-type: none"> 1. La clé ne se trouve pas dans le commutateur d'allumage ou se trouve à la position Arrêt. 2. Le starter se trouve à la position fermée et l'amorceur n'a pas été actionné. 3. Le robinet d'essence est fermé. 4. La commande d'accélérateur ne se trouve pas à la position Haut régime. 5. Le réservoir de carburant est vide ou le circuit d'alimentation contient du carburant qui n'est pas frais. 6. Le fil de la bougie est mal branché ou débranché. 7. La bougie est piquée ou encrassée, ou l'écartement des électrodes est incorrect. 8. Le bouchon d'aération du réservoir de carburant est bouché. 9. Le niveau d'huile dans le carter moteur est trop bas ou trop élevé. 	<ol style="list-style-type: none"> 1. Introduisez la clé dans le commutateur d'allumage et tournez-la à la position Contact établi. 2. Placez le starter à la position ouverte et appuyez à 3 reprises sur l'amorceur. 3. Ouvrez le robinet d'arrivée de carburant. 4. Placez la commande d'accélérateur en position Haut régime. 5. Vidangez et/ou faites le plein du réservoir de carburant avec de l'essence fraîche (qui n'a pas été stockée plus d'un mois). Si le problème persiste, consultez un dépositaire réparateur agréé. 6. Branchez le fil de la bougie. 7. Contrôlez la bougie et réglez l'écartement des électrodes au besoin. Remplacez la bougie si elle est piquée, encrassée ou fissurée. 8. Éliminez l'obstruction ou changez le bouchon. 9. Faites l'appoint ou vidangez suffisamment d'huile pour amener le niveau au repère du plein sur la jauge.
Le moteur tourne irrégulièrement.	<ol style="list-style-type: none"> 1. Le starter se trouve à la position en service. 2. Le robinet d'essence n'est pas complètement ouvert. 3. Le réservoir de carburant est presque vide ou contient du carburant pas frais. 4. Le fil de la bougie est mal branché. 5. La bougie est piquée ou encrassée, ou l'écartement des électrodes est incorrect. 6. Le niveau d'huile dans le carter moteur est trop bas ou trop élevé. 	<ol style="list-style-type: none"> 1. Réglez le starter à la position fermée. 2. Ouvrez le robinet d'arrivée de carburant. 3. Vidangez et faites le plein du réservoir de carburant avec de l'essence fraîche (qui n'a pas été stockée plus d'un mois). Si le problème persiste, consultez un dépositaire réparateur agréé. 4. Branchez le fil de la bougie. 5. Contrôlez la bougie et réglez l'écartement des électrodes au besoin. Remplacez la bougie si elle est piquée, encrassée ou fissurée. 6. Faites l'appoint ou vidangez suffisamment d'huile pour amener le niveau au repère du plein sur la jauge.

Problème	Cause possible	Mesure corrective
Le moteur tourne mais la machine éjecte mal la neige ou pas du tout.	<ol style="list-style-type: none"> 1. La commande 'accélérateur ne se trouve pas à la position Haut régime lors du déneigement. 2. La machine se déplace trop rapidement pour déneiger correctement. 3. Vous tentez de déblayer une quantité de neige trop importante par bande. 4. Vous tentez de déblayer de la neige très lourde ou très mouillée. 5. L'éjecteur est obstrué. 6. La courroie de la vis sans fin/turbine est détendue ou ne se trouve plus sur la poulie. 7. La courroie de la vis sans fin/turbine est usée ou cassée. 	<ol style="list-style-type: none"> 1. Placez la commande d'accélérateur en position Haut régime. 2. Sélectionnez un rapport inférieur. 3. Réduisez la quantité de neige déblayée par bande. 4. Ne surchargez pas la machine avec de la neige très lourde ou mouillée. 5. Dégagez l'éjecteur. 6. Montez et/ou réglez la courroie d'entraînement de la vis sans fin/turbine. Consultez le site www.Toro.com pour de plus amples informations d'entretien ou portez la machine chez un réparateur agréé. 7. Remplacez la courroie d'entraînement de la vis sans fin/turbine. Consultez le site www.Toro.com pour de plus amples informations d'entretien ou portez la machine chez un réparateur agréé.
L'éjecteur ne se verrouille pas en place ou ne bouge pas.	<ol style="list-style-type: none"> 1. Le verrou de l'éjecteur est mal réglé. 	<ol style="list-style-type: none"> 1. Réglez le verrou de l'éjecteur
La machine ne déblaye pas correctement la neige.	<ol style="list-style-type: none"> 1. Les patins et/ou la lame racleuse sont mal réglés. 2. Les pneus ne sont pas gonflés à la même pression. 	<ol style="list-style-type: none"> 1. Réglez les patins et/ou la lame racleuse. 2. Contrôlez et ajustez la pression de l'un ou des deux pneus.



Déclaration de garantie de conformité à la réglementation sur le contrôle des émissions

Pour les États-Unis, la Californie et le Canada

Droits et obligations de garantie

La direction californienne des ressources atmosphériques (CARB), l'agence américaine de défense de l'environnement (EPA) et The Toro Company ont le plaisir de vous présenter la garantie du système antipollution dont bénéficie votre petit moteur/équipement non routier année-modèle 2013–2014. Les moteurs de petite cylindrée/équipements non routiers utilisés en Californie et aux États-Unis, doivent être conçus, construits et certifiés pour satisfaire à des normes anti-smog strictes. The Toro Company garantit le système antipollution de votre moteur de petite cylindrée/équipements non routiers pour la durée mentionnée ci-dessous, sauf en cas d'usage abusif, de mauvais traitement ou de mauvais entretien du moteur/de l'équipement.

Votre système antipollution peut comprendre des pièces comme le carburateur, le système d'injection de carburant, le système d'allumage, le catalyseur, les réservoirs de carburant, les conduites d'alimentation, les bouchons de carburant, les vannes, les filtres à charbon actif, les filtres, les flexibles de vapeur, les colliers, les raccords et autres composants antipollution connexes.

Lorsqu'une condition couverte par la garantie existe, The Toro Company s'engage à réparer votre moteur de petite cylindrée/équipements non routiers gratuitement, frais de diagnostic, pièces et main-d'œuvre compris.

Garantie du fabricant

Ce système antipollution bénéficie d'une garantie de deux ans. Toute pièce du système antipollution de votre moteur/équipement qui s'avère défectueuse sera réparée ou remplacée par The Toro Company.

Responsabilités du propriétaire

En tant que propriétaire d'un moteur de petite cylindrée non routier, vous devez effectuer les entretiens nécessaires énoncés dans le *manual de l'utilisateur*. Nous vous conseillons de conserver tous les reçus relatifs à l'entretien de votre moteur de petite cylindrée/équipement non routier, mais nous ne pouvons réfuter la garantie simplement pour non présentation des reçus.

En tant que propriétaire de moteurs de petite cylindrée/équipements non routiers, vous devez néanmoins être informé que nous pourrions éventuellement refuser d'appliquer la garantie en cas de panne des moteurs de petite cylindrée/équipements non routiers ou de toute pièce causée par un usage abusif, un mauvais traitement ou un mauvais entretien, ou encore des modifications non agréées.

Vous êtes dans l'obligation de confier votre moteur de petite cylindrée/équipement non routier à un centre de réparation ou un réparateur agréé dès qu'un problème se présente. Les réparations couvertes par la garantie doivent être effectuées le plus rapidement possible, dans un délai de trente (30) jours.

Pour tous renseignements concernant la couverture de garantie, veuillez nous contacter à l'adresse suivante :

Customer Care Department, Consumer Division
Toro Warranty Company
8111 Lyndale Avenue South
Bloomington, MN 55420-1196
Numéro vert : 800-348-2424 (aux États-Unis)
Numéro vert : 800-544-5364 (au Canada)

Garantie générale du système antipollution

The Toro Company et sa filiale, Toro Warranty Company, garantissent conjointement au propriétaire initial et à chaque acquéreur suivant que le petit moteur/équipement non routier est :

- Conçu, construit et certifié pour satisfaire à la réglementation sur les émissions en vigueur; et
- Exempt de tout défaut de matériau ou vice de fabrication pouvant entraîner la défaillance d'une pièce garantie; et
- En tous points identique aux pièces décrites dans la demande de certification.

La période de garantie commence à la date de réception du petit moteur/équipement non routier par le dernier acheteur. La période de garantie est de deux ans.

Sous réserve de certaines conditions et exclusions énoncées ci-après, la garantie sur les pièces liées au système antipollution se présente comme suit :

1. Toute pièce sous garantie dont le remplacement n'est pas prévu dans le cadre de l'entretien courant, tel que stipulé dans les instructions écrites fournies, est couverte pour la période de garantie stipulée ci-dessus. En cas de défaillance de la pièce pendant la période de garantie, cette dernière sera réparée ou remplacée par The Toro Company. Toute pièce ainsi réparée ou remplacée dans le cadre de la garantie sera couverte pendant le restant de la période de garantie.
2. Toute pièce sous garantie dont seul le contrôle régulier est stipulé dans les instructions écrites fournies, est couverte pour la période de garantie stipulée ci-dessus. Toute pièce ainsi réparée ou remplacée dans le cadre de la garantie sera couverte pendant le restant de la période de garantie.
3. Les pièces à remplacer dans le cadre de l'entretien courant, tel que stipulé dans les instructions écrites, sont couvertes par la garantie jusqu'à la date du premier remplacement prévu. En cas de défaillance de la pièce avant le premier remplacement prévu, cette dernière sera réparée ou remplacée par The Toro Company. Toute pièce ainsi réparée ou remplacée sous garantie bénéficiera d'une garantie égale à la durée restante avant le premier remplacement prévu.
4. Les réparations ou remplacements des pièces couvertes aux termes de la présente garantie doivent être effectués à titre gracieux par un dépositaire-réparateur agréé.
5. Nonobstant les dispositions de la présente, les entretiens ou réparations au titre de la garantie seront proposés par tous les dépositaires-réparateurs agréés pour l'entretien des moteurs ou équipements concernés.
6. Le propriétaire du petit moteur/de l'équipement non routier ne sera pas tenu de payer les diagnostics effectués sur une pièce défectueuse liée au système antipollution, dans la mesure où le diagnostic est réalisé chez un dépositaire réparateur agréé.
7. The Toro Company est responsable des dommages occasionnés à d'autres composants du moteur /de l'équipement par la panne d'une pièce sous garantie du système antipollution.
8. Durant toute la période de garantie des petits moteurs/équipements non routier telle que stipulée ci-dessus, The Toro Company disposera d'un stock suffisant de pièces sous garantie pour répondre à la demande anticipée pour ce type de pièces.
9. Des pièces de rechange agréées par le fabricant peuvent être utilisées pour les entretiens et réparations sous garantie

et doivent être fournies gracieusement. Une telle utilisation ne limitera pas l'obligation de garantie de The Toro Company.

10. L'utilisation de pièces ajoutées ou modifiées non agréées par The Toro Company n'est pas autorisée. L'utilisation par l'acheteur de pièces ajoutées ou modifiées non agréées constituera un motif de rejet d'une réclamation au titre de la garantie. The Toro Company ne sera pas tenue de couvrir les pannes des pièces sous garantie causées par l'utilisation de pièces ajoutées ou modifiées non agréées.

Pièces couvertes par la garantie

Les pièces suivantes du système antipollution sont couvertes par la garantie dans la mesure où ces pièces étaient présentes sur le moteur/l'équipement Toro et/ou le système d'alimentation fourni par Toro :

1. Pièces du système d'alimentation
 - Carburateur et organes internes
 - Système d'enrichissement pour démarrage à froid (système d'amorçage ou starter)
 - Pompe à carburant
 - Conduites d'alimentation, raccords et colliers
 - Réservoir de carburant, bouchon et sangle de retenue
 - Filtre à charbon actif
2. Système d'admission d'air
 - Filtre à air
 - Collecteur d'admission
 - Événement et conduite(s) de recyclage des gaz du carter
 - Conduite de purge et raccords
3. Circuit d'allumage
 - Bougie(s) d'allumage et fil(s)
 - Circuit d'allumage par magnéto
4. Échappement catalytique
 - Catalyseur
 - Collecteur d'échappement
 - Système d'injection d'air et valve(s)
5. Composants divers utilisés dans le système antipollution
 - Valves, contacteurs et tringleries
 - Connecteurs, raccords et supports



La garantie intégrale Toro

Une garantie limitée de trois ans (garantie limitée de 45 jours pour usage commercial)

Souffleuses à neige Power Max et Power Max à deux phases

Conditions et produits couverts

The Toro Company et sa filiale Toro Warranty, en vertu de l'accord passé entre elles, s'engagent conjointement à réparer le produit Toro mentionné ci-dessous utilisé à des fins résidentielles normales* s'il présente un défaut de fabrication ou cesse de fonctionner suite à la défaillance d'un composant pendant la période indiquée ci-dessous.

Cette garantie couvre le coût des pièces et de la main-d'œuvre, mais le transport est à votre charge.

Durées de la garantie à compter de la date d'achat :

Produits	Période de garantie
Souffleuses à neige et accessoires Power Max HD et Power Max	3 ans
— Éjecteur Power Max HD et Power Max	Garantie à vie (propriétaire d'origine uniquement)
— Déflecteur Power Max HD et Power Max	Garantie à vie (propriétaire d'origine uniquement)
— Système anti-colmatage Power Max HD et Power Max	Garantie à vie (propriétaire d'origine uniquement)

(Couvercle du carter de turbine en plastique)

Garantie limitée pour usage commercial

Les produits Toro à moteur à essence utilisés à des fins commerciales, par des institutions ou donnés en location sont couverts contre tout défaut de fabrication ou de matériau pendant une période de 45 jours. Les défaillances de composants dues à une usure normale ne sont pas couvertes par cette garantie.

Comment faire intervenir la garantie

Si vous pensez que votre produit Toro présente un vice de matériau ou de fabrication, procédez comme suit :

1. Demandez à un dépositaire-réparateur Toro agréé de prendre en charge votre produit. Pour trouver le dépositaire ou le réparateur le plus proche, consultez les *Pages Jaunes* (sous « Tondeuses à gazon ») ou rendez-vous sur notre site web à www.Toro.com. Vous pouvez aussi appeler les numéros indiqués au point 3 pour consulter notre système permanent de localisation des dépositaires Toro.
2. Lorsque vous vous rendez chez le dépositaire-réparateur, apportez le produit et une preuve d'achat (reçu). Le dépositaire-réparateur diagnostiquera le problème et déterminera s'il est couvert par la garantie.
3. Si, pour une raison quelconque, vous n'êtes pas satisfait du diagnostic de votre dépositaire-réparateur ou des conseils prodigués, n'hésitez pas à nous contacter à l'adresse suivante :

Customer Care Department, Consumer Division
The Toro Company
8111 Lyndale Avenue South
Bloomington, MN 55420-1196

Autres pays que les États-Unis et le Canada

Pour les produits Toro exportés des États-Unis ou du Canada, demandez à votre distributeur (dépositaire) Toro la police de garantie applicable dans votre pays, région ou état. Si, pour une raison quelconque, vous n'êtes pas satisfait des services de votre distributeur, ou si vous avez du mal à vous procurer des renseignements concernant la garantie, adressez-vous à l'importateur Toro. En dernier recours, adressez-vous à Toro Warranty Company.

Droits des consommateurs australiens

Les clients australiens trouveront les détails relatifs aux droits des consommateurs australiens à l'intérieur du carton ou auprès de leur dépositaire Toro local.

*L'usage résidentiel normal désigne l'utilisation du produit sur le terrain où se trouve votre domicile. L'utilisation dans plusieurs lieux ou par des institutions ou la location est considérée comme un usage commercial, couvert par la garantie commerciale.

Numéro vert : 866-336-5205 (aux États-Unis)
Numéro vert : 866-854-9033 (au Canada)

Responsabilités du propriétaire

L'entretien de votre produit Toro doit être conforme aux procédures décrites dans le *Manuel de l'utilisateur*. Cet entretien courant est à vos frais, qu'il soit effectué par vous-même ou par un dépositaire-réparateur.

Ce que la garantie ne couvre pas

Il n'existe aucune autre garantie expresse, à part la garantie spéciale du système antipollution et du moteur pour certains produits. Cette garantie expresse ne couvre pas :

- Les frais normaux d'entretien ou de remplacement de pièces d'usure telles que pales de rotor (palettes), lames racleuses, courroies, carburant, lubrifiants, changements d'huile, bougies, réglages de câble/tringlerie ou des freins.
- Les produits ou pièces ayant subi des modifications ou un usage abusif, et nécessitant un remplacement ou une réparation en raison d'un accident ou d'un défaut d'entretien.
- Les réparations requises en raison de l'utilisation de carburant non frais (vieux de plus d'un mois) ou d'une mauvaise préparation de la machine avant toute période de non utilisation de plus d'un mois.
- Les frais de prise à domicile et de livraison.
- Tout dégât dû à un usage abusif, à un mauvais traitement ou à des accidents.
- Les réparations ou tentatives de réparation par quiconque autre qu'un dépositaire-réparateur Toro agréé.

Conditions générales

Toutes les réparations couvertes par les présentes garanties doivent être effectuées par un dépositaire-réparateur Toro agréé, à l'aide de pièces de rechange agréées par Toro. La réparation par un dépositaire-réparateur Toro agréé est le seul dédommagement auquel cette garantie donne droit.

The Toro Company et Toro Warranty Company déclinent toute responsabilité en cas de dommages secondaires ou indirects liés à l'utilisation des produits Toro couverts par ces garanties, notamment quant aux coûts et dépenses encourus pour se procurer un équipement ou un service de substitution durant une période raisonnable pour cause de défaillance ou d'indisponibilité en attendant la réparation sous garantie.

Toutes les garanties implicites relatives à la qualité marchande (à savoir que le produit est apte à l'usage courant) et à l'aptitude à l'emploi (à savoir que le produit est apte à un usage spécifique) sont limitées à la durée de la garantie expresse.

L'exclusion de la garantie des dommages secondaires ou indirects, ou les restrictions concernant la durée de la garantie implicite, ne sont pas autorisées dans certains états et peuvent donc ne pas s'appliquer dans votre cas.

Cette garantie vous accorde des droits spécifiques, auxquels peuvent s'ajouter d'autres droits qui varient selon les états.