



MODEL NO. 07341

**INSTALLATION
INSTRUCTIONS**
**1/3 AREA FLATBED KIT
For Workman 3000 Series**

NOTE: A radiator cover is not required when using a 1/3 bed, but it may, if material being carried could spill into radiator.

NOTE: If there is a 2/3 bed installed on vehicle, raise it and lower safety support to hold it up.

NOTE: The Workman 3300-D requires longer channel hold down brackets and an additional box spacer (included with the Workman 3300-D) under each of the rubber cushions.

1. Remove machine screws and locknuts securing the spacer blocks to under side of bed (Fig. 1).

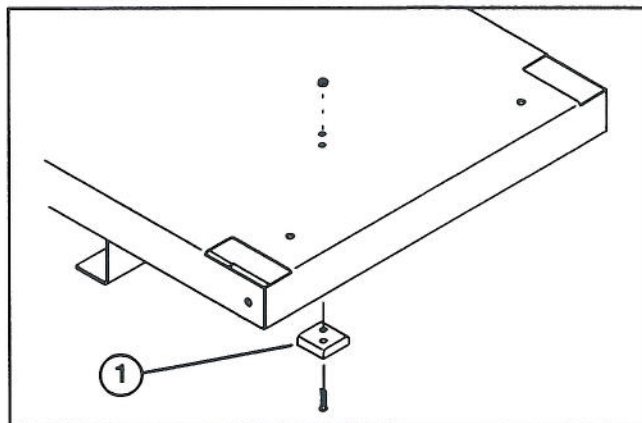


Figure 1
1. Spacer block

2. Mount the spacer blocks to the box spacers with fasteners previously removed, then remount box spacers to underside of bed using with new machine screws and locknuts (Fig. 2).

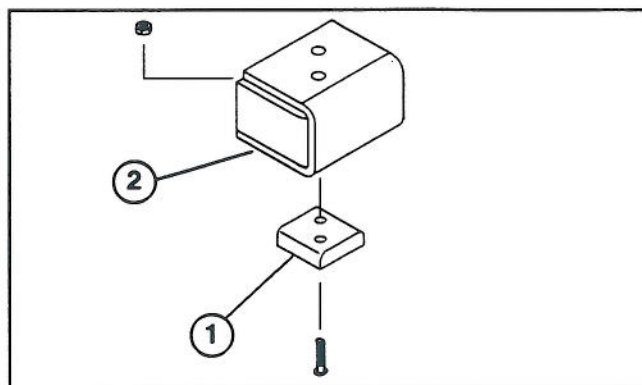


Figure 2
1. Spacer block
2. Box spacer

3. Mount channel hold down brackets to vehicle frame with the (4) 5/16-18 x 5/8" lg. capscrews and washers (Fig. 3).

4. Place bed on channel hold down brackets. Secure bed to brackets with (2) 5/16-18 x 2-1/2" lg. capscrews and locknuts (Fig. 3).

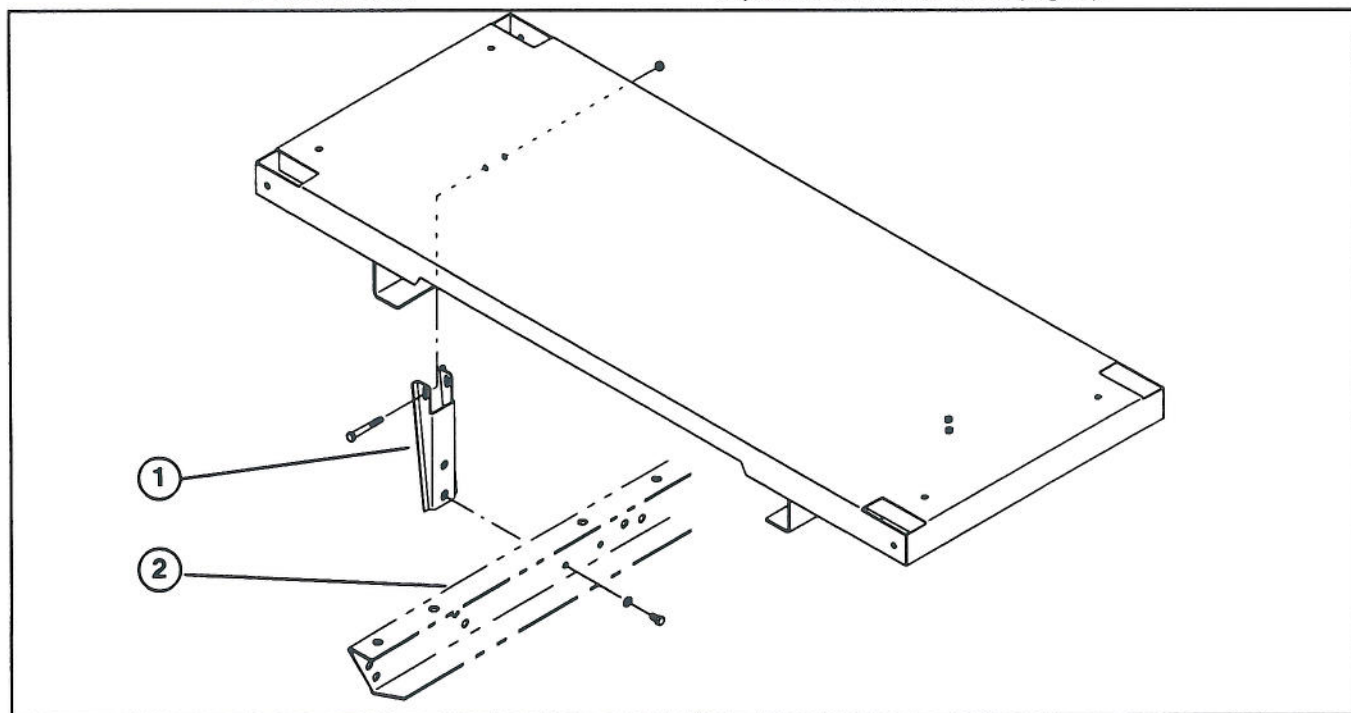


Figure 3
1. Channel hold down bracket
2. Vehicle frame