



MODEL NO. 30475

INSTALLATION INSTRUCTIONS

MULCHER KIT

Groundsmaster® 455-D



CAUTION

Before servicing or making adjustments to the machine, lower cutting unit, stop engine and remove key from the switch.

INSTALL CENTER MULCHER SCREEN

1. Remove covers from top of deck.
2. Pivot (tilt) cutting unit to the upright position, refer to Operator's Manual for procedure.

IMPORTANT: Move lift valve to "FLOAT" position before stopping engine and disconnecting hoses from traction unit. This releases oil pressure from system and eases reconnecting of hoses.

3. Position center mulcher screen into deck as shown in figure 1.
4. Rotate cutter blades to assure there is enough clearance between blades and mulcher screen. There should be approximately .50" clearance.
5. Using mulcher screen as a template, mark (7) mounting hole locations in bottom of deck and (1) in deck baffle.

6. Remove screen from deck and drill (8) 13/32" dia. holes at locations marked.

7. Secure mulcher screen to bottom of deck with (7) 3/8-16 x 6" lg. carriage bolts and flange lock nuts.

8. Secure mulcher screen to deck baffle with 3/8-16 x 3/4" lg. carriage bolt and flange lock nut.

INSTALL WING MULCHER SCREENS

1. Position left or right mulcher screen into deck as shown in figure 1.

2. Rotate cutter blades to assure there is enough clearance between blades and mulcher screen. There should be approximately .50" clearance.

3. Using mulcher screen as a template, mark (3) mounting hole locations in bottom of deck.

4. Remove screen from deck and drill (3) 13/32" dia. holes at locations marked.

5. Secure mulcher screen to bottom of deck with (3) 3/8-16 x 6" lg. carriage bolts and flange lock nuts.

6. Repeat procedure on opposite wing deck.

7. Lower deck into operating position, refer to Operator's Manual for procedure. Install deck covers.

IMPORTANT: If mulcher screens are removed from decks, mounting holes must be plugged with capscrews and locknuts.

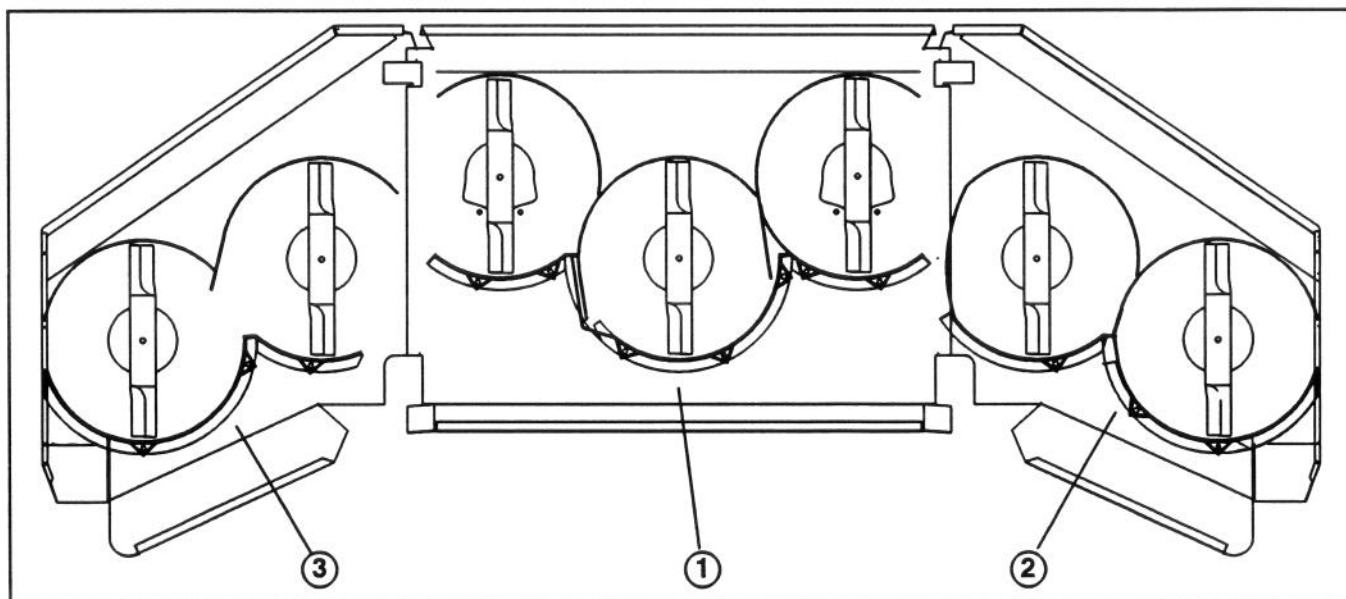


Figure 1

1. Center Deck Mulcher Screen

2. Left Wing Deck Mulcher Screen

3. Right Wing Deck Mulcher Screen