



**Count on it.**

**Parts Catalog**

**Heavy-Duty Centerline Trencher  
RT600 Trencher**

Model No. 25431—Serial No. 313000001 and Up

Model No. 25431E—Serial No. 313000001 and Up



# Ordering Replacement Parts

To order replacement parts, please supply the part number, the quantity, and the description of each part desired.

## Understanding Reference Numbers

Each identified part in an illustration has a reference number. The reference number for a part also appears in the parts list, along with other information about the part.

This catalog uses two special reference number formats, one to indicate parts in a service assembly and another to indicate the quantity of a given part in an illustration.

## Service Assembly Reference Numbers

Parts in service assemblies have reference numbers in the form a:b. The a represents the reference number of the entire service assembly and the b represents a sequential number unique to each part within the service assembly.

For example, a wheel assembly might be identified by reference number 6, the tire by 6:1, the valve by 6:2, and the wheel by 6:3. When you order the assembly identified by reference number 6, you receive all parts identified by reference numbers 6:1, 6:2, and 6:3. However, you may also order any part individually. Reference numbers of this type appear in illustration and in parts lists.

## Reference Numbers Indicating Quantity

In an illustration, if a reference number indicates more than one part, the reference number has the form nX y. The n represents the quantity of the part, the X is the multiplication symbol, and the y represents the reference number.

For example, in an illustration, the reference number 2X 37 means that two of the parts identified by reference number 37 are indicated.

# List of Abbreviations

**AR:** as required

**ASM:** assembly

**BBC:** blade brake control

**BHTF:** button head thread forming

**CARR:** carriage

**CCW:** counter clockwise

**CW:** clockwise

**DEG:** degrees

**DPA:** Dual Point Adjustment

**ECM:** electronic control module

**EXT:** external

**FH:** flat head

**GA:** gauge

**HD:** heavy-duty

**HF:** hex flange

**HH:** hex head

**HHF:** hex head flange

**HHFTF:** hex head flange thread forming

**HJ:** hex jam

**HLH:** hex lag head

**HOC:** height-of-cut

**HP:** high pressure

**HSBH:** hex socket button head

**HSFH:** hex socket flat head

**HSH:** hex socket head

**HWH:** hex washer head

**HWHTF:** hex washer head thread forming

**HYD:** hydraulic

**LH:** left hand

**LP:** low pressure

**LPG:** Liquefied Petroleum Gas

**NI:** nylon insert

**NPTF:** national pipe thread fine

**PFH:** phillips flat head

**PPH:** phillips pan head

**PPHTF:** phillips pan head thread forming

**PRH:** phillips round head

**PTH:** phillips truss head

**PTO:** power-take-off

**RH:** right hand

**ROPS:** roll-over protection system

**RRB:** rear roller brush

**SFH:** slotted fillister head

**SHH:** slotted hex head

**SHWH:** slotted hex washer head

**SPH:** slotted pan head

**SQH:** square head

**SRH:** slotted round head

**STD:** standard

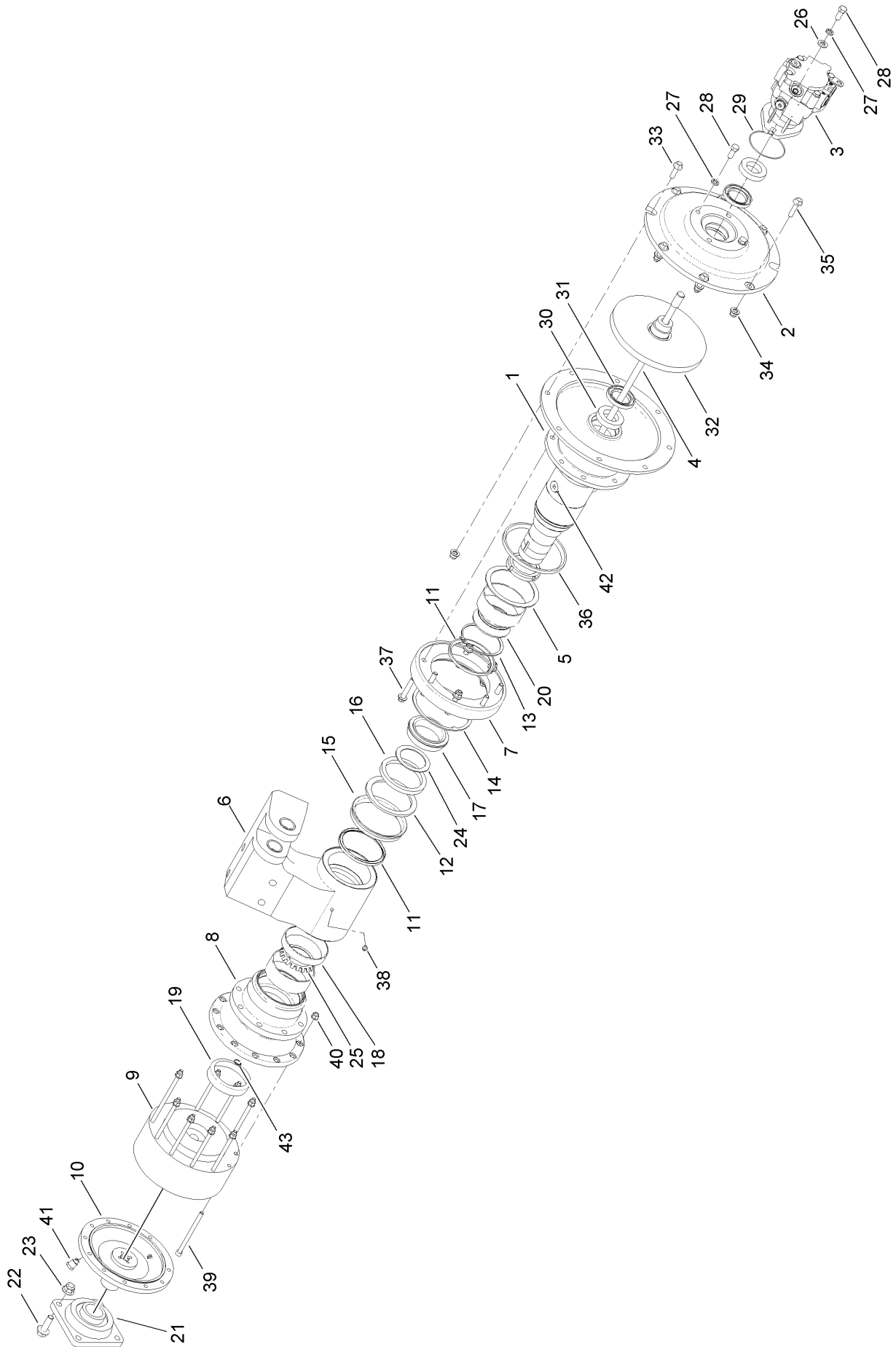
**TAP:** self tapping

**TTH:** torx truss head

# Contents

Trencher Drive Assembly .....	4
Hydraulic Motor Assembly No. AU87430035 .....	6
Trencher Frame Assembly .....	8
Lockout Valve Assembly No. AUH672547 .....	10
Hydraulic Hose and Fitting Assembly .....	12

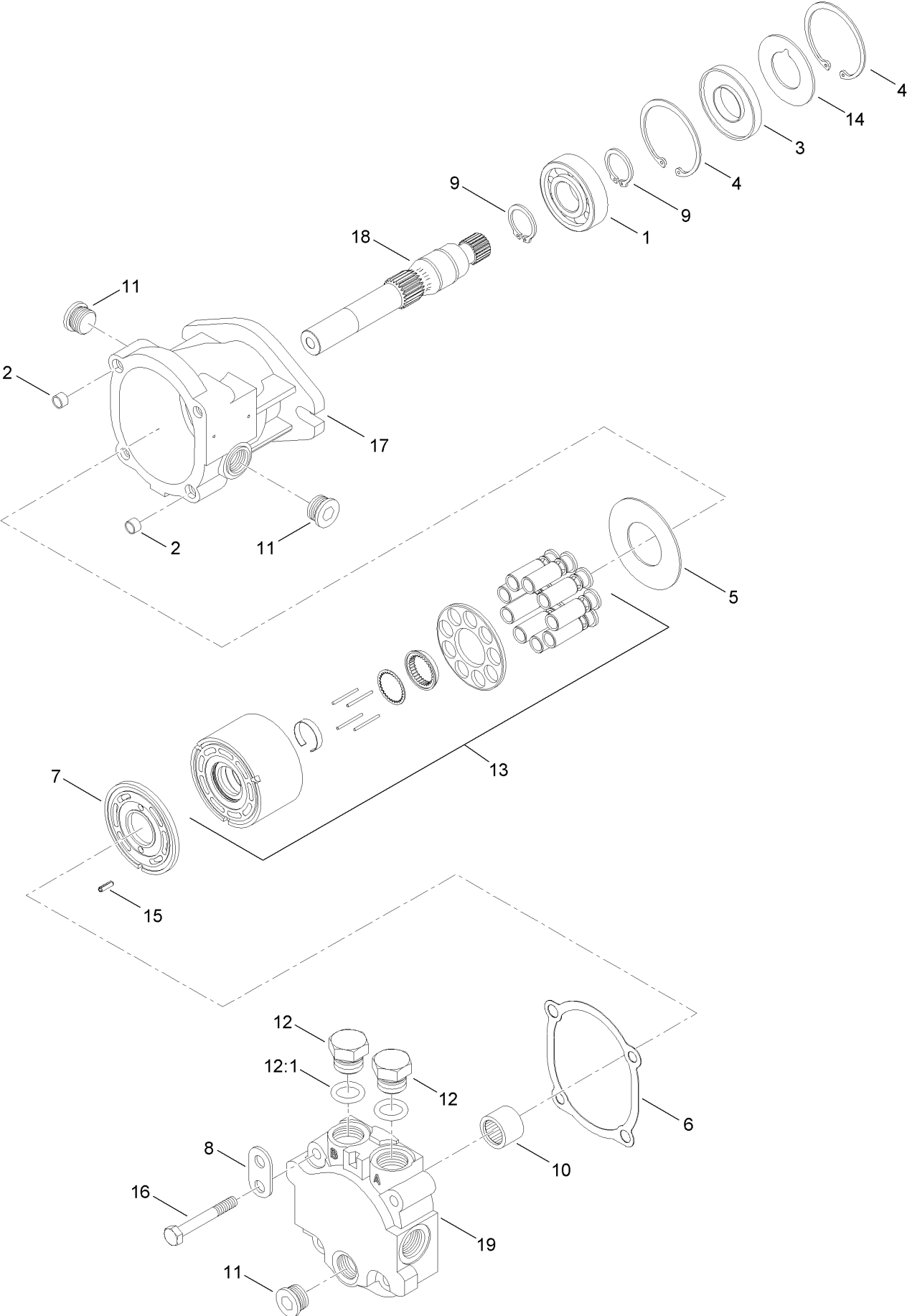
# Trencher Drive Assembly



## Trencher Drive Assembly (continued)

<i>Ref.</i>	<i>Part Number</i>	<i>Qty.</i>	<i>Description</i>	<i>Ref.</i>	<i>Part Number</i>	<i>Qty.</i>	<i>Description</i>
1	AU125974-03	1	Pivot-Boom	23	AU100529	4	Nut-HHF
2	AUH434811-03	1	Cover-Flywheel	24	AUL112617	1	Washer-Shim
3	AU87430035	1	HYD Motor ASM	25	AU55-1015	1	Washer-Lock, Bearing
4	AU116461A1	1	Shaft-Drive, Trencher	26	AUH274894	2	Washer
5	AUH437581	1	Washer-Thrust, Thin	27	3253-7	4	Washer-Lock
6	AU116743A1-03	1	Mount-Boom	28	117-3266	4	Screw-HH
7	AUH437580-03	1	Spacer-Pivot, Boom	29	AU238-5155	1	O-Ring
8	AU125980-03	1	Hub-Sprocket, Digging	30	AUG13075	2	Bearing-Ball
9	AU107470	1	Gearbox-Planetary	31	AUH438061	2	Seal-Flywheel
10	AUH428714-03	1	Cover-Planetary	32	AU116343A1	1	Flywheel-Drive, Trencher
11	AUH437505	2	Seal-Urethane	33	AU100830	2	Screw
12	AUH437582	1	Washer-Thrust, Thick	34	AU100528	15	Nut-HHF, Lock
13	AUS64875	1	Ring-Retaining, External	35	AU100348	6	Screw-HHF
14	AU103885A1	1	Ring-Wear	36	AUH437506	1	Seal-Urethane
15	AUH433852	1	Seal-Planetary, Urethane	37	33106-070	7	Screw-HHF
16	AUH428839	1	Seal	38	302-2	1	Fitting-Grease
17	AUA63185	1	Bearing	39	AU126667	12	Screw-HSH
18	AUA63171	1	Bearing	40	103-9511	12	Nut-Lock, NI
19	AUA67327	1	Cup-Bearing	41	AU221-675	2	Plug-Pipe
20	AUA67328	1	Bearing-Cone	42	AU41-1020	2	Plug-Npt
21	AUH758292	1	Bearing	43	93-7972	1	Ring-Retaining, Internal
22	AU100832	4	Screw-Flange				

# Hydraulic Motor Assembly No. AU87430035

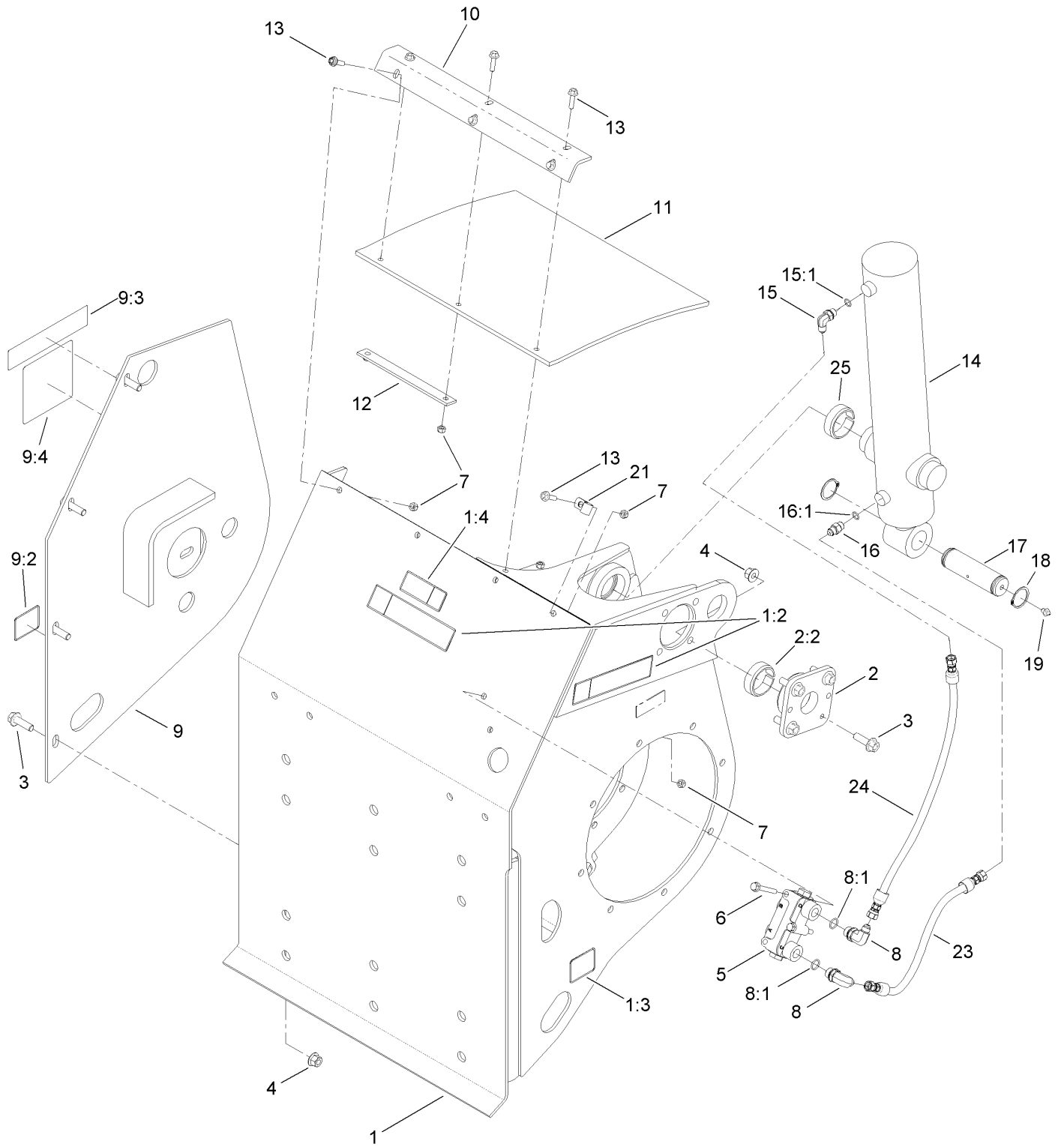


# Hydraulic Motor Assembly No. AU87430035 (continued)

<i>Ref.</i>	<i>Part Number</i>	<i>Qty.</i>	<i>Description</i>	<i>Ref.</i>	<i>Part Number</i>	<i>Qty.</i>	<i>Description</i>
1	AUA29183	1	Bearing	11	92-5717	3	Plug-Pipe
2	AUN13994	2	Pin-Spring	12	69-3130	2	Plug
3	127-6214	1	Seal-Lip	12:1		1	O-Ring ●
4	69-3200	2	Ring-Retaining	13	AU234383A1	1	Cylinder Block Kit
5	AU100700A1	1	Plate-Thrust	14	95-4400	1	Washer-Backup
6	AU100701A1	1	Gasket-End Cap	15	131-3800	1	Pin-Slotted
7	AU100702A1	1	Plate-Valve	16	127-6213	4	Screw-HH
8	AU100703A1	1	Bracket-Lifting	17		1	Housing ●
9	69-3170	2	Ring-Retaining	18	AU87431908	1	Shaft
10	AU132391A1	1	Bearing-Needle	19	AU87431909	1	Cap-End

● Not serviced separately

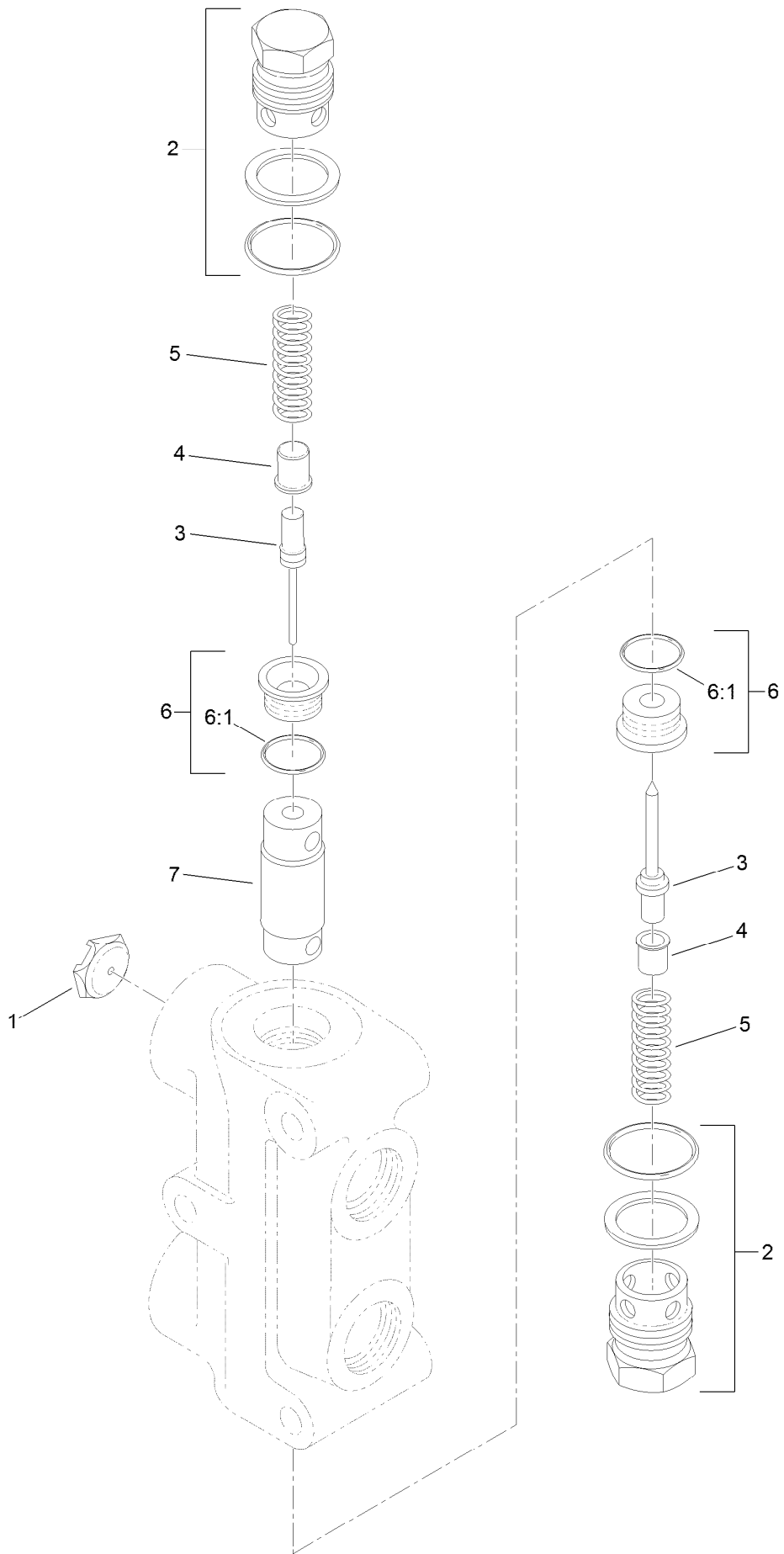
# Trencher Frame Assembly



## Trencher Frame Assembly (continued)

<i>Ref.</i>	<i>Part Number</i>	<i>Qty.</i>	<i>Description</i>	<i>Ref.</i>	<i>Part Number</i>	<i>Qty.</i>	<i>Description</i>
1	127-1200	1	Frame-Trencher	9:4	125-6693	1	Decal-Transmission Fluid
1:2	125-6670	2	Decal-Danger, Entanglement	10	AU117207A1-03	1	Angle-Dirt Deflector
1:3	125-6694	1	Decal-Tie Down	11	AU117206A1	1	Deflector-Dirt
1:4	125-6671	1	Decal-Danger, Underground Hazard	12	AU117205A1-03	1	Strip-Dirt Deflector
2	AU123494A1	1	Pivot Block ASM	13	AU100874	7	Screw-HHF
2:2	AUH436164	1	Bushing	14	AU127214	1	Cylinder-Boom Lift
3	AU100830	8	Screw	15	353-374	1	Fitting-Elbow, 90 DEG
4	115-1115	8	Nut-Lock, HHF	15:1	237-42	1	O-Ring
5	AUH672547	1	HYD Lockout Valve ASM	16	353-384	1	Fitting-Straight
6	33104-060	2	Screw-HHF	16:1	237-42	1	O-Ring
7	33024-00	9	Nut-Lock, NI	17	AU221253A1	1	Pin-Pivot
8	353-537	2	Fitting-Elbow, 90 DEG	18	32151-35	2	Ring-Retaining, External
8:1	237-79	1	O-Ring	19	302-2	1	Fitting-Grease
9	127-1201	1	Support-Bearing	21	AU515-23159	1	Clamp
9:2	125-6694	1	Decal-Tie Down	23	127-1202	1	Hose ASM
9:3	125-6670	1	Decal-Danger, Entanglement	24	127-1203	1	Hose ASM
				25	AUH436164	1	Bushing

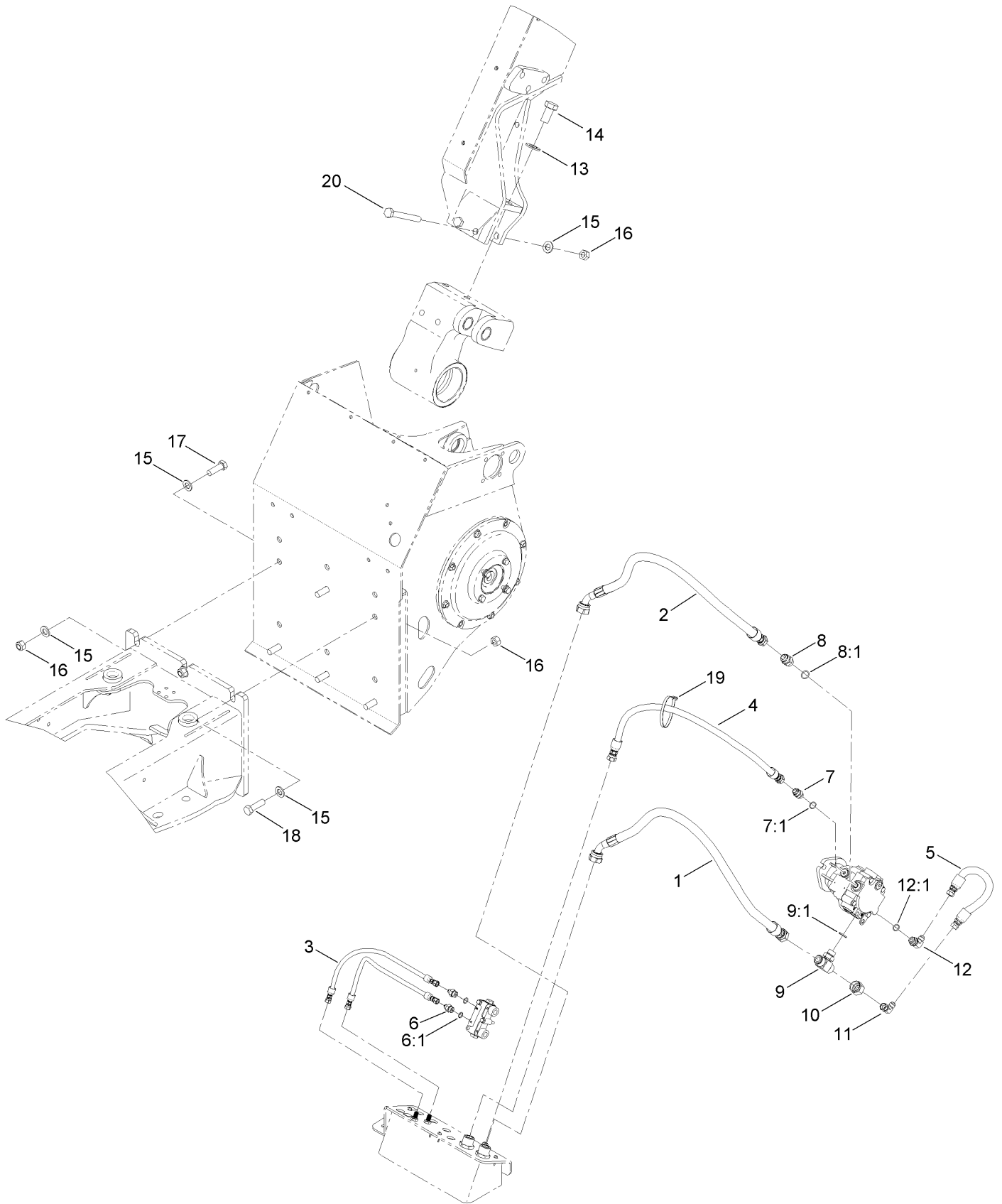
# Lockout Valve Assembly No. AUH672547



# Lockout Valve Assembly No. AUH672547 (continued)

<i>Ref.</i>	<i>Part Number</i>	<i>Qty.</i>	<i>Description</i>	<i>Ref.</i>	<i>Part Number</i>	<i>Qty.</i>	<i>Description</i>
1	AUH270603	1	Plate-Orifice	5	AU85069C1	2	Spring
2	AUA43525	2	Plug ASM	6	AUN13369	2	Seat ASM
3	AUF88777	2	Poppet	6:1	AUL33213	1	O-Ring
4	AUN13488	2	Eyelet-Poppet	7	AUN13489	1	Plunger

# Hydraulic Hose and Fitting Assembly



## Hydraulic Hose and Fitting Assembly (continued)

<i>Ref.</i>	<i>Part Number</i>	<i>Qty.</i>	<i>Description</i>	<i>Ref.</i>	<i>Part Number</i>	<i>Qty.</i>	<i>Description</i>
1	127-1204	1	Hose ASM	10	AUH439323	1	Fitting-Restrictor
2	127-1205	1	Hose ASM	11	01-201-2410	1	Fitting-Elbow, 90
3	127-1206	2	Hose ASM HYD	12	353-426	1	Fitting-90 DEG
4	127-1207	1	Hose ASM	12:1	237-80	1	O-Ring
5	127-1208	1	Hose ASM	13	AUH426833	2	Washer
6	AU218-5058	2	Connector	14	AU426-1632	2	Bolt
6:1	237-79	1	O-Ring	15	AUH426817	13	Washer-Flat
7	353-385	1	Fitting-Straight	16	120-7252	8	Nut-Lock
7:1	237-80	1	O-Ring	17	AU426-1236	4	Screw-HH
8	AU218-5064	1	Fitting-Straight	18	AU426-1240	2	Bolt
8:1	237-81	1	O-Ring	19	3334-945	1	Tie-Cable
9	AU91-203003-12-1	1	Fitting-Tee	20	AU426-12104	2	Screw-HH
9:1	237-81	1	O-Ring				

**Notes:**

**Notes:**



**Count on it.**