



**Count on it.**

**Parts Catalog**

**Power Clear® 418 ZE  
Snowthrower**

Model No. 38282—Serial No. 312000001 and Up



# Ordering Replacement Parts

To order replacement parts, please supply the part number, the quantity, and the description of each part desired.

## Understanding Reference Numbers

Each identified part in an illustration has a reference number. The reference number for a part also appears in the parts list, along with other information about the part.

This catalog uses two special reference number formats, one to indicate parts in a service assembly and another to indicate the quantity of a given part in an illustration.

## Service Assembly Reference Numbers

Parts in service assemblies have reference numbers in the form a:b. The a represents the reference number of the entire service assembly and the b represents a sequential number unique to each part within the service assembly.

For example, a wheel assembly might be identified by reference number 6, the tire by 6:1, the valve by 6:2, and the wheel by 6:3. When you order the assembly identified by reference number 6, you receive all parts identified by reference numbers 6:1, 6:2, and 6:3. However, you may also order any part individually. Reference numbers of this type appear in illustration and in parts lists.

## Reference Numbers Indicating Quantity

In an illustration, if a reference number indicates more than one part, the reference number has the form nX y. The n represents the quantity of the part, the X is the multiplication symbol, and the y represents the reference number.

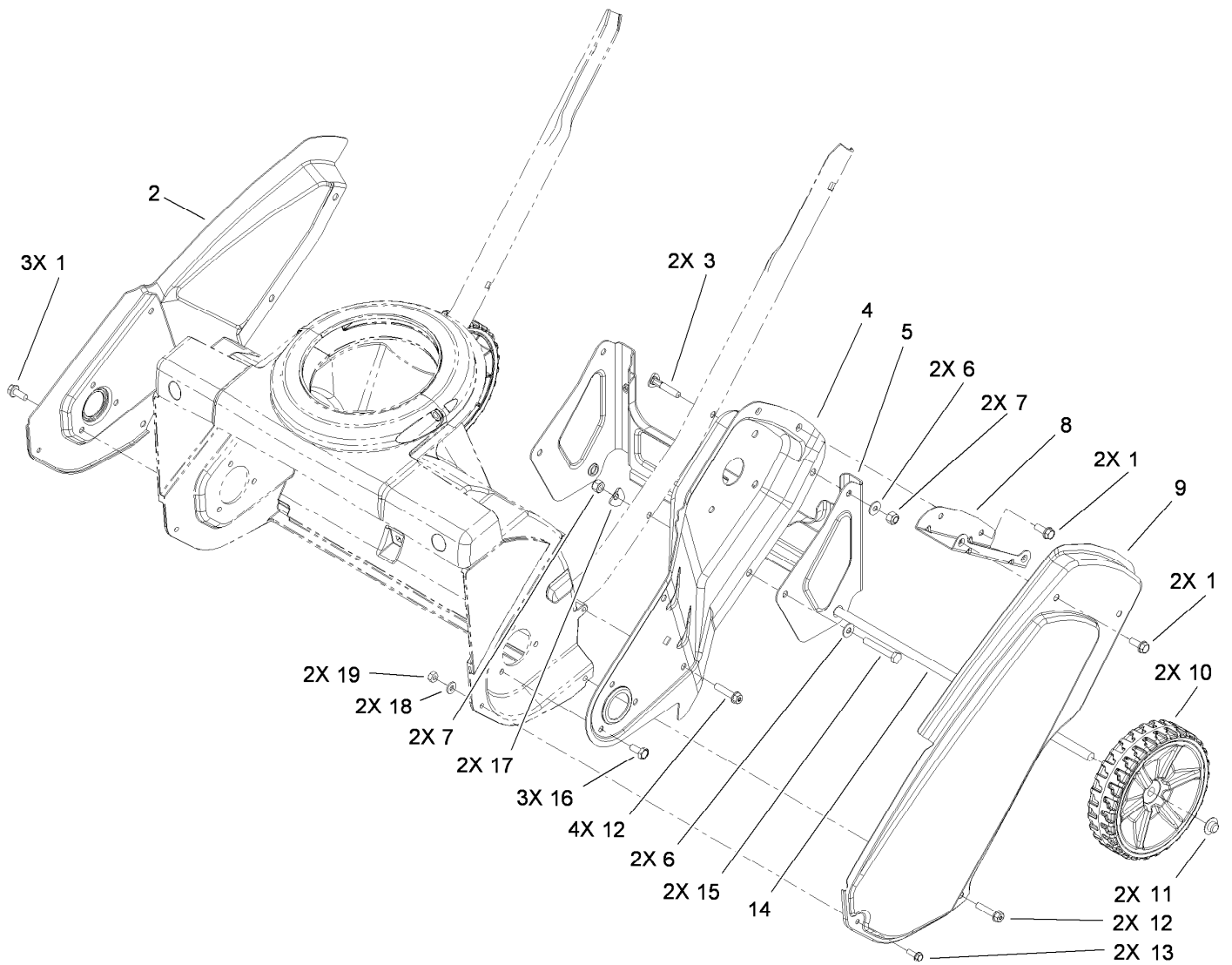
For example, in an illustration, the reference number 2X 37 means that two of the parts identified by reference number 37 are indicated.

# List of Abbreviations

<b>AR:</b> as required	<b>HLH:</b> hex lag head	<b>PTO:</b> power-take-off
<b>ASM:</b> assembly	<b>HOC:</b> height-of-cut	<b>RH:</b> right hand
<b>BBC:</b> blade brake control	<b>HSBH:</b> hex socket button head	<b>ROPS:</b> roll-over protection system
<b>BHTF:</b> button head thread forming	<b>HSFH:</b> hex socket flat head	<b>RRB:</b> rear roller brush
<b>CARR:</b> carriage	<b>HSH:</b> hex socket head	<b>SFH:</b> slotted fillister head
<b>CCW:</b> counter clockwise	<b>HWH:</b> hex washer head	<b>SHH:</b> slotted hex head
<b>CW:</b> clockwise	<b>HWHTF:</b> hex washer head thread forming	<b>SHWH:</b> slotted hex washer head
<b>DEG:</b> degrees	<b>HYD:</b> hydraulic	<b>SPH:</b> slotted pan head
<b>DPA:</b> Dual Point Adjustment	<b>LH:</b> left hand	<b>SQH:</b> square head
<b>ECM:</b> electronic control module	<b>LP:</b> Liquefied Petroleum Gas	<b>SRH:</b> slotted round head
<b>EXT:</b> external	<b>LPG:</b> Liquefied Petroleum Gas	<b>STD:</b> standard
<b>FH:</b> flat head	<b>NI:</b> nylon insert	<b>TAP:</b> self tapping
<b>GA:</b> gauge	<b>NPTF:</b> national pipe thread fine	<b>TTH:</b> torx truss head
<b>HD:</b> heavy-duty	<b>PFH:</b> phillips flat head	
<b>HF:</b> hex flange	<b>PPH:</b> phillips pan head	
<b>HH:</b> hex head	<b>PPHTF:</b> phillips pan head thread forming	
<b>HHF:</b> hex head flange	<b>PRH:</b> phillips round head	
<b>HHFTF:</b> hex head flange thread forming	<b>PTH:</b> phillips truss head	
<b>HJ:</b> hex jam		

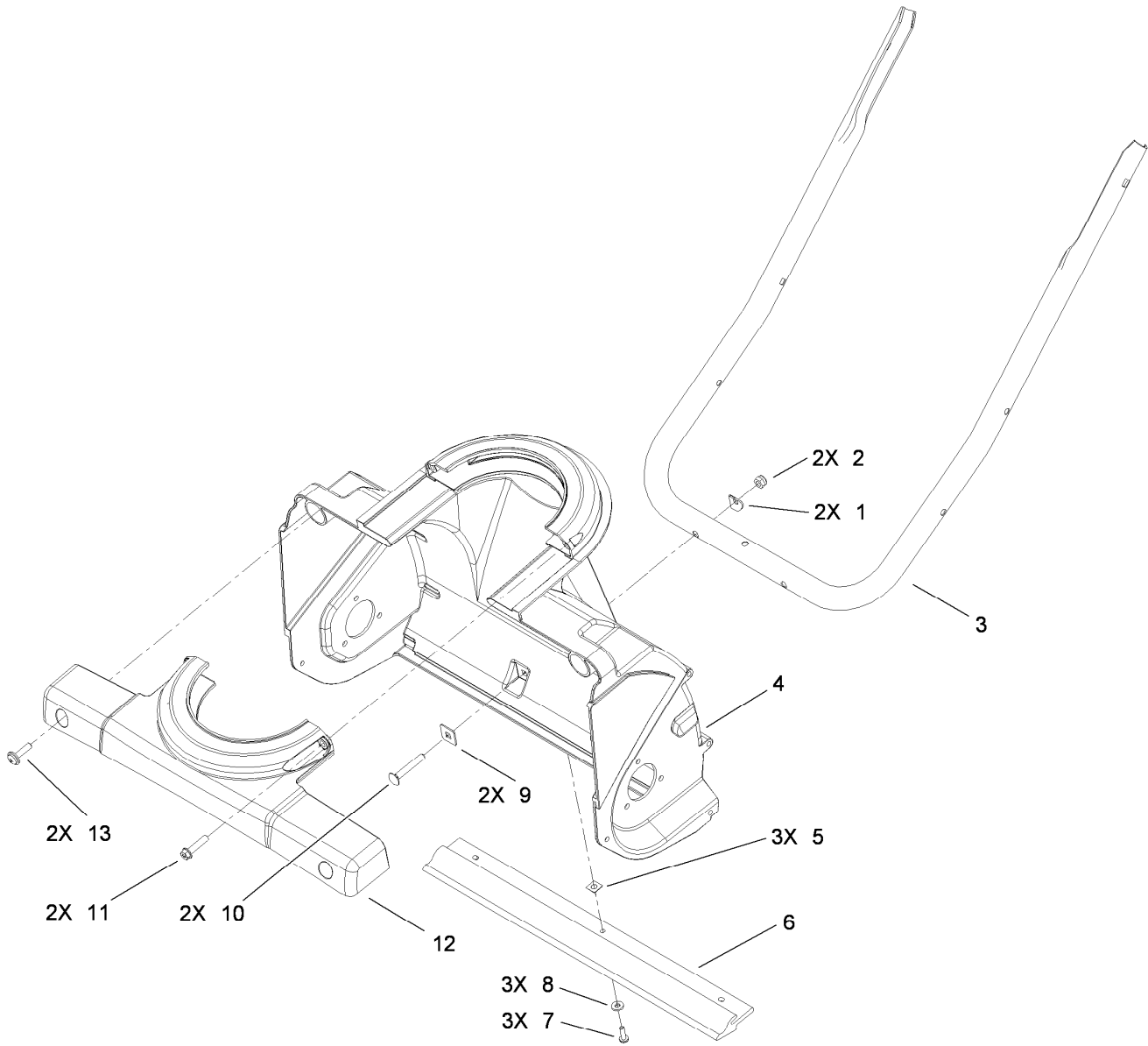
# Contents

Main Frame and Wheel Assembly .....	4
Auger Housing Assembly .....	5
Rotor Drive Assembly .....	6
Belt and Drive Assembly .....	7
Engine Assembly .....	8
Electric Start Engine Assembly No. 119-1975 .....	9
Shroud Assembly .....	10
Handle Assembly .....	11
Deflector Chute Control Assembly .....	12
Attachments and Accessories .....	13



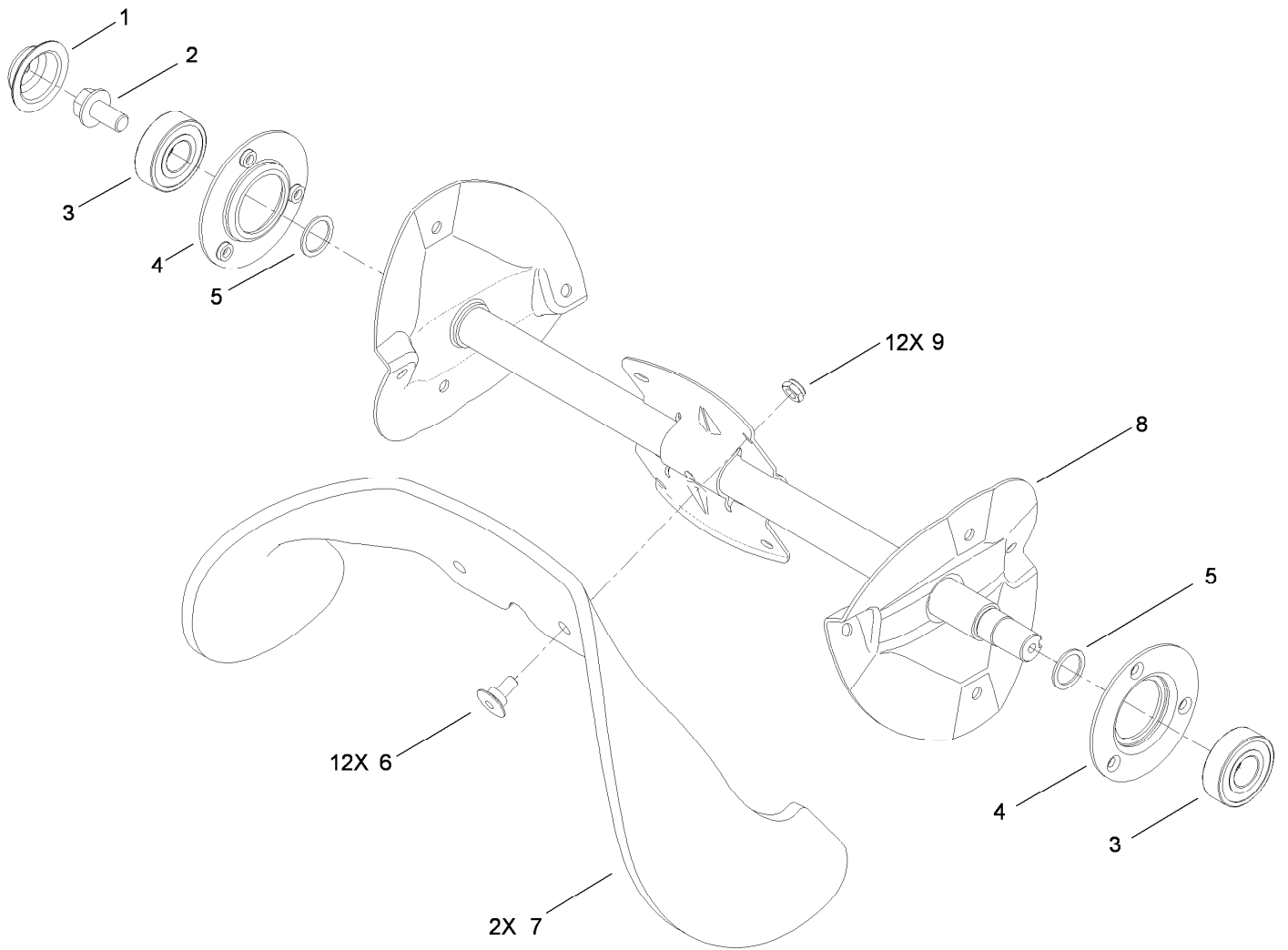
## Main Frame and Wheel Assembly

Ref.	Part Number	Qty.	Description	Ref.	Part Number	Qty.	Description
1	32144-85	7	Screw-HWH	11	3290-320	2	Retainer-Push On
2	117-7704-03	1	Sideplate-RH	12	46-8094	6	Screw-Plastite
3	117-7737	2	Screw-Handle	13	32105-23	2	Screw
4	117-2349-03	1	Sideplate-LH	14	117-2339	1	Axle
5	117-7702-03	1	Bracket-Wheel	15	321-53	2	Screw-HH
6	3256-1	4	Washer-Flat	16	114-9291	3	Screw-HH, Taptite
7	3296-73	4	Nut-Lock, NI	17	3-7501	2	Washer
8	117-2334-03	1	Bracket-Cover, Belt	18	3256-14	2	Washer-Flat
9	117-7703-03	1	Cover-Belt	19	3296-2	2	Nut-Lock, NI
10	117-2306	2	Wheel ASM				



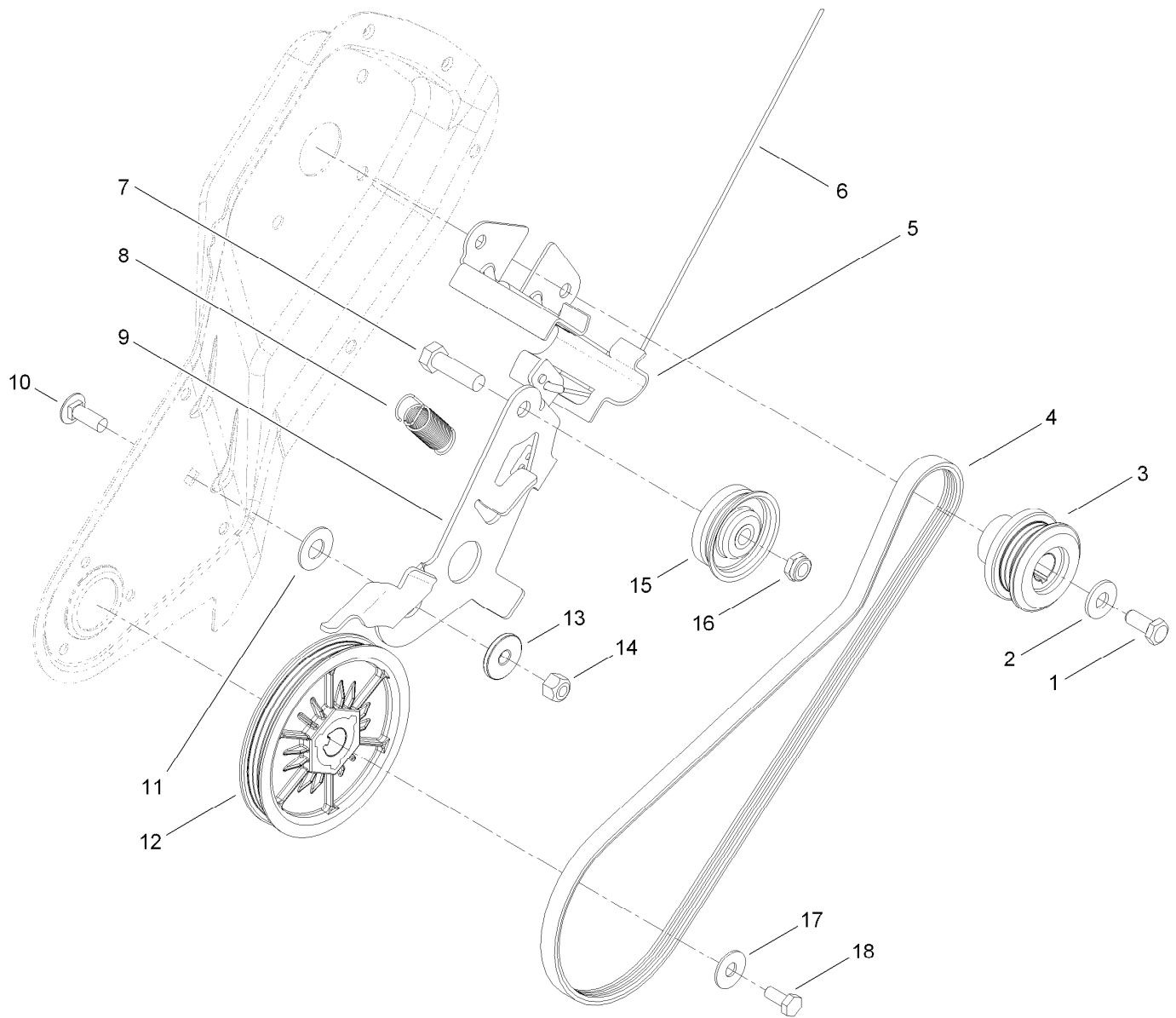
## Auger Housing Assembly

Ref.	Part Number	Qty.	Description
1	3-7501	2	Washer
2	3296-73	2	Nut-Lock, NI
3	117-2348-03	1	Handle-Lower
4	117-2331	1	Housing-Lower
5	32115-19	3	Nut-Clip, U
6	117-7717	1	Scraper
7	32144-34	3	Screw-HWHTF
8	3256-14	3	Washer-Flat
9	75-9040	2	Washer-Square
10	3229-5	2	Screw-CARR
11	46-8094	2	Screw-Plastite
12	117-2332	1	Retainer-Chute
13	110-9361	2	Screw-PPH, Sems



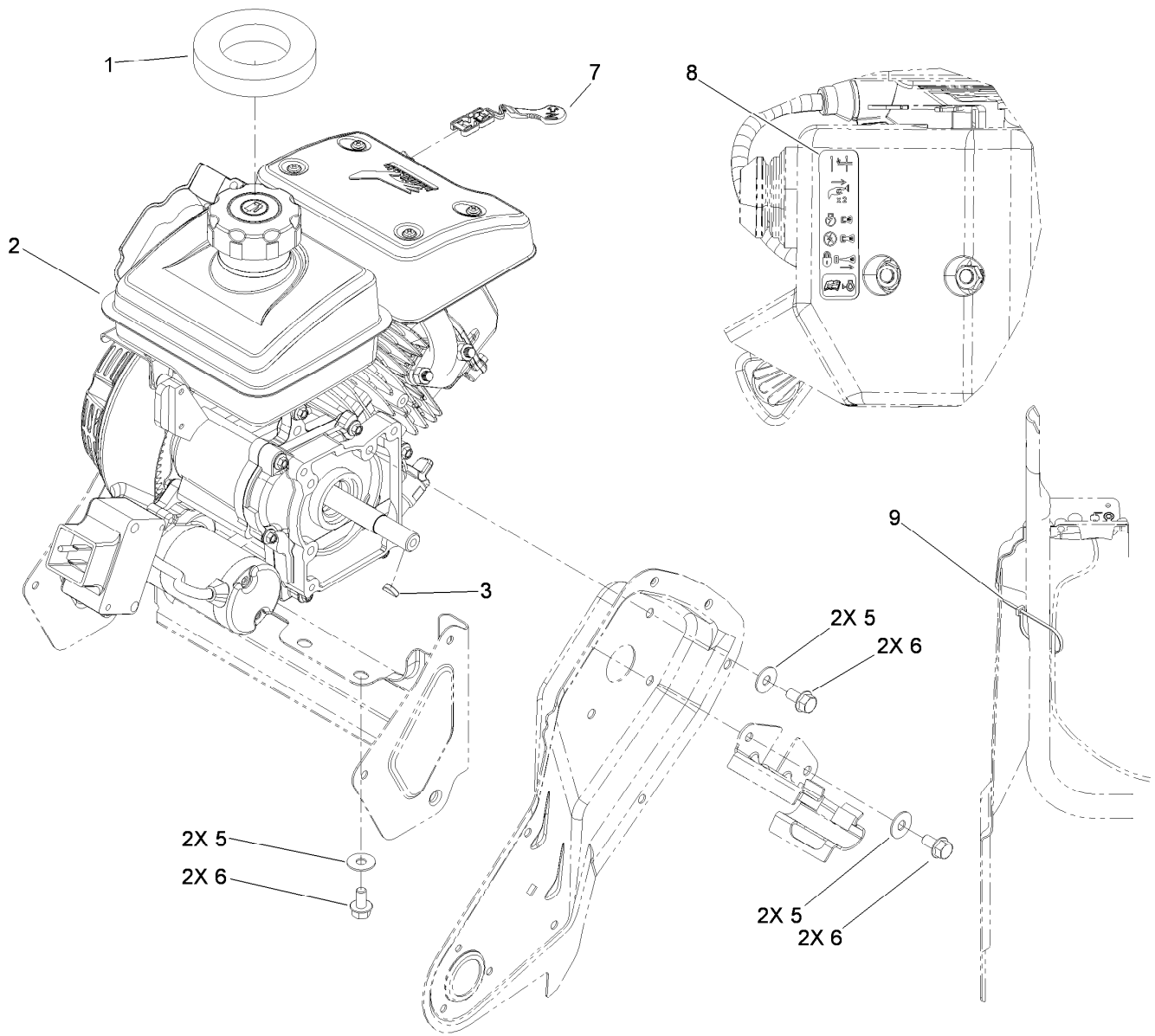
## Rotor Drive Assembly

<i>Ref.</i>	<i>Part Number</i>	<i>Qty.</i>	<i>Description</i>
1	117-7720	1	Cap-Sideplate, RH
2	110-9380	1	Screw-HWH
3	100-1048	2	Bearing-Ball
4	112-8105	2	Flange-Bearing
5	52-7280	2	Washer-Thrust
6	84-1970	12	Screw
7	117-7700	2	Blade-Rotor
8	117-2315-03	1	Rotor ASM
9	3296-56	12	Nut-Lock, NI



## Belt and Drive Assembly

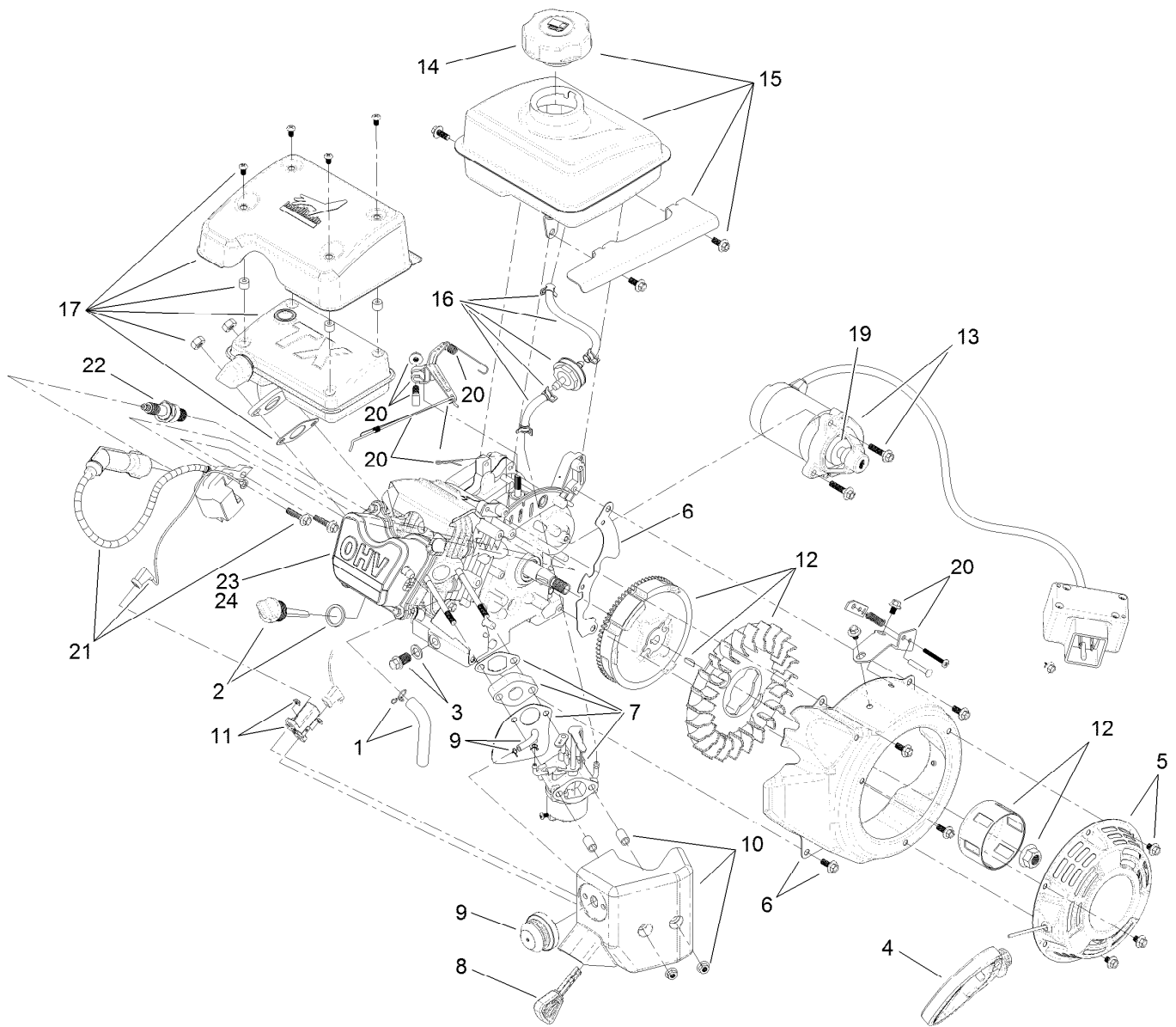
<i>Ref.</i>	<i>Part Number</i>	<i>Qty.</i>	<i>Description</i>	<i>Ref.</i>	<i>Part Number</i>	<i>Qty.</i>	<i>Description</i>
1	3235-6	1	Screw-HH	10	3230-10	1	Screw-CARR
2	3256-71	1	Washer-Flat	11	25-5640	1	Washer
3	117-7734	1	Pulley-Engine	12	117-7732	1	Rotor Pulley ASM
4	117-7733	1	Belt-V, Ribbed	13	117-7711	1	Bushing-Idler
5	119-2907	1	Guide-Belt	14	3296-29	1	Nut-Lock, NI
6	117-7721	1	Cable-Clutch	15	117-9105	1	Pulley-Idler
7	323-44	1	Screw-HH	16	3296-59	1	Nut-Lock, NI
8	117-7715	1	Spring-Brake	17	3290-456	1	Washer-Belleville
9	117-7735	1	Arm-Idler	18	110-9381	1	Screw-HH



## Engine Assembly

Ref.	Part Number	Qty.	Description
1	117-7723	1	Seal-Tank
2	119-1975	1	Engine-Lc154Fds-1
3	3257-3	1	Key-Woodruff
5	3290-456	6	Washer-Belleville
6	33104-016	6	Screw-HHF
7	117-7727	1	Lever-Choke
8	120-0149	1	Decal-Controls, Engine
9	614249	1	Tie-Cable

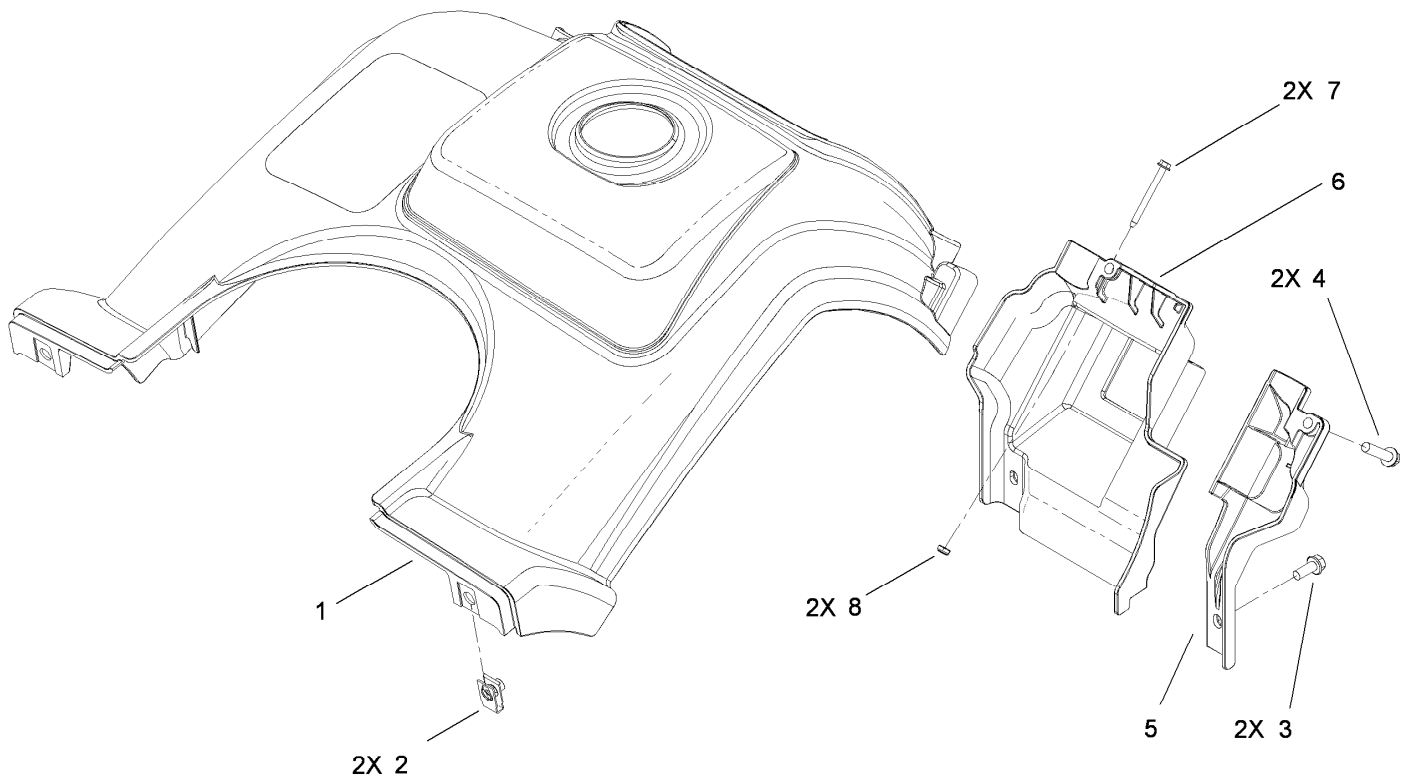




## Electric Start Engine Assembly No. 119-1975

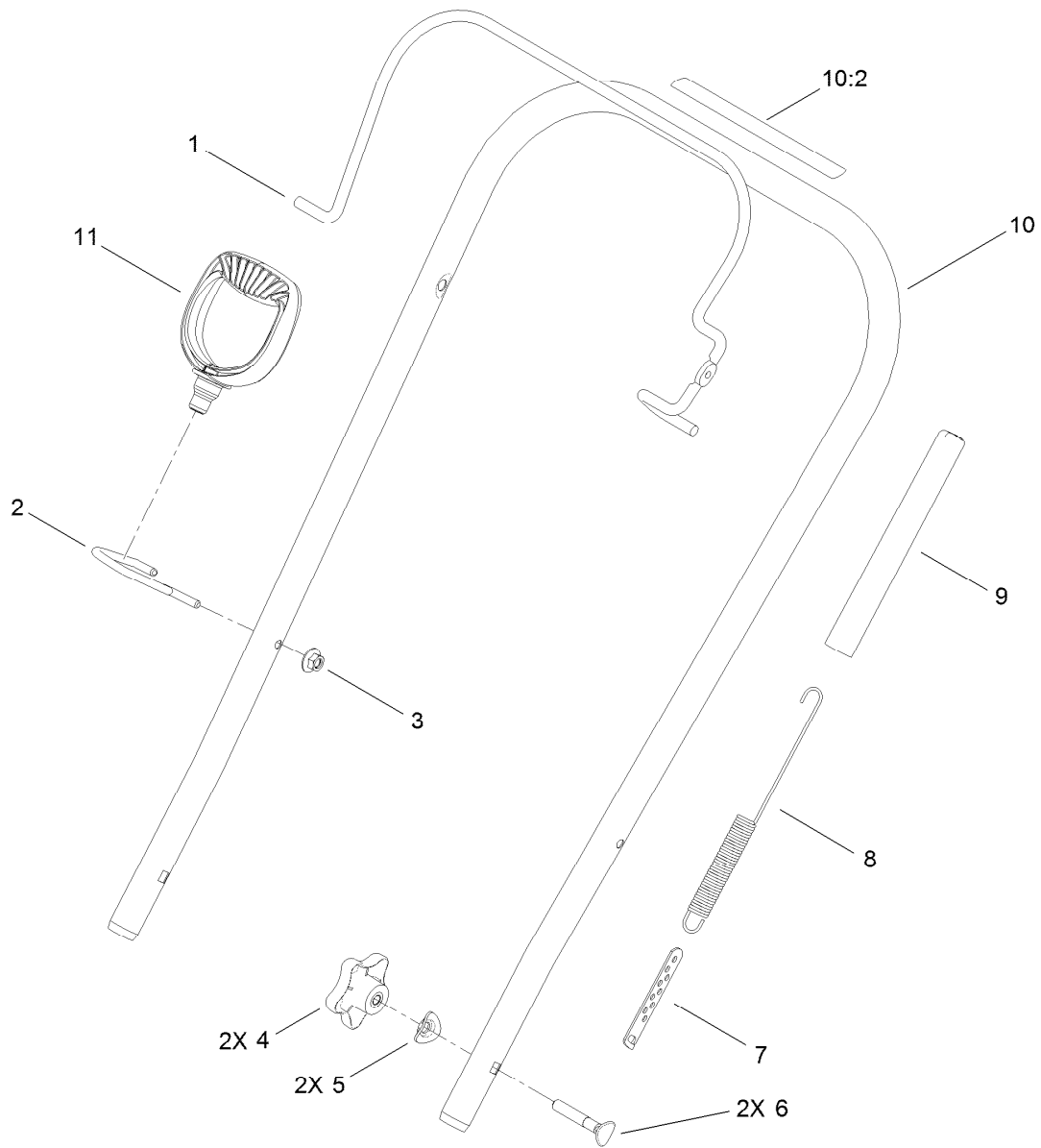
Ref.	Part Number	Qty.	Description	Ref.	Part Number	Qty.	Description
1	119-1921	1	Breather Tube Kit	14	120-4410	1	Fuel Cap ASM
2	119-1922	1	Dipstick And O-Ring Kit	15	119-1998	1	Fuel Tank And Cap ASM
3	119-1923	1	Drain Plug Kit	16	120-4401	1	Filter, Fuel Line And Clamp Kit
4	119-1924	1	Mitten Grip Kit	17	119-1938	1	Muffler Kit
5	119-1925	1	Recoil ASM Kit	18	119-1939	1	Gasket, Seal And O-Ring Kit ●
6	119-1926	1	Blower Shroud Kit	19	119-1940	1	Pinion Kit
7	119-1980	1	Complete Carb Service Kit	20	119-1987	1	Governor Arm, Spring, Link, Hardware Kit
7	119-1988	1	Carb Float And Needle Kit	21	119-1960	1	Ignition Kit
8	119-1929	1	Key And Lanyard Kit	22	119-1961	1	Spark Plug
9	119-1981	1	Primer Bulb Kit	23	121-0466	1	Valve Cover ASM
10	119-1982	1	Heater Box Kit	24	121-0110	1	Gasket-Cover, Valve
11	119-1932	1	Switch Kit				
12	119-1933	1	Flywheel Kit				
13	119-1983	1	Electric Starter Kit				

● Not illustrated



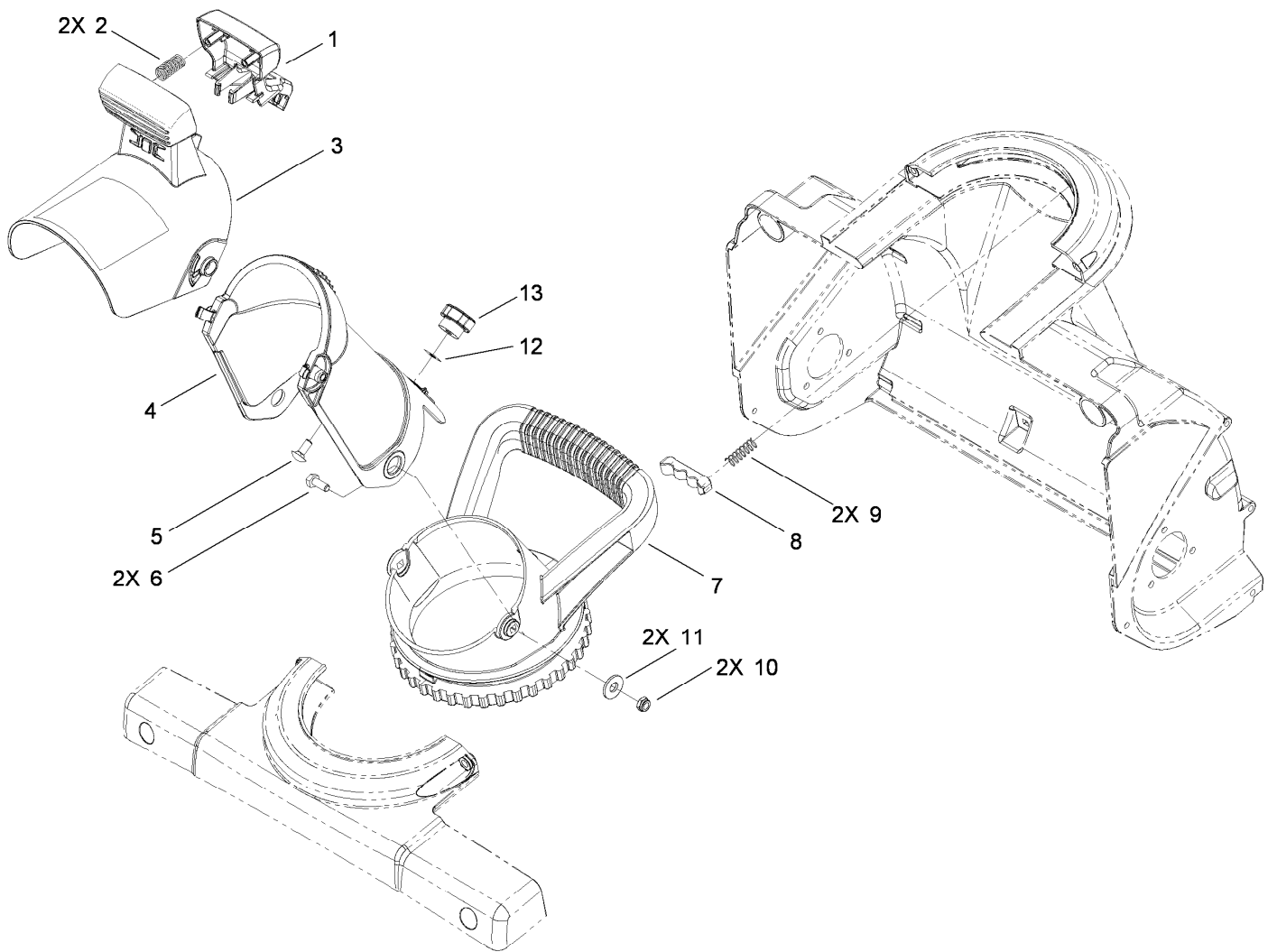
## Shroud Assembly

Ref.	Part Number	Qty.	Description
1	120-7739	1	Shroud ASM
2	107069	2	Clip
3	32144-85	2	Screw-HWH
4	46-8094	2	Screw-Plastite
5	117-7719	1	Shroud-Lower, LH
6	117-7707	1	Shroud-Lower, RH
7	117-9106	2	Screw-HWH
8	3296-9	2	Nut-Lock



## Handle Assembly

Ref.	Part Number	Qty.	Description
1	117-7718-03	1	Bail-Clutch
2	120-9804	1	Guide-Rope
3	114-3778	1	Nut-Lock, NI
4	106-4161	2	Knob-Handle
5	107-3844	2	Washer
6	92-2260	2	Screw-Handle
7	71-5330	1	Adjuster-Cable, Clutch
8	119-2913	1	Spring-Clutch
9	114-3796	1	Cover-Spring
10	117-7743	1	Upper Handle ASM
10:2	117-7713	1	Decal-Safety
11	117-9104	1	Handle-Recoil



## Deflector Chute Control Assembly

Ref.	Part Number	Qty.	Description
1	117-2314	1	Trigger-Deflector
2	110-9360	2	Spring-Compression
3	117-7742	1	Chute Deflector ASM
4	117-2312	1	Chute-Discharge
5	3229-11	1	Screw-CARR
6	321-3	2	Screw-HH
7	117-2345	1	Handle-Chute
8	75-9160	1	Detent-Chute
9	75-9170	2	Spring-Compression
10	3296-56	2	Nut-Lock, NI
11	3256-81	2	Washer-Flat
12	32115-15	1	Pushnut-Retainer, Bolt
13	233-67	1	Knob-Chute

# Attachments and Accessories

## For 38282 Power Clear 418 ZE Snowthrower

**Product Name**

**Model/Part**

Case of 24 12-Ounce Bottles 5W30 Winter Oil ..... 38907

**Notes:**

**Notes:**



**Count on it.**