



**Count on it.**

**Parts Catalog**

**Power Clear® 180 Snowthrower**

Model No. 38282—Serial No. 311003001 and Up



# Ordering Replacement Parts

To order replacement parts, please supply the part number, the quantity, and the description of each part desired.

## Understanding Reference Numbers

Each identified part in an illustration has a reference number. The reference number for a part also appears in the parts list, along with other information about the part.

This catalog uses two special reference number formats, one to indicate parts in a service assembly and another to indicate the quantity of a given part in an illustration.

## Service Assembly Reference Numbers

Parts in service assemblies have reference numbers in the form a:b. The a represents the reference number of the entire service assembly and the b represents a sequential number unique to each part within the service assembly.

For example, a wheel assembly might be identified by reference number 6, the tire by 6:1, the valve by 6:2, and the wheel by 6:3. When you order the assembly identified by reference number 6, you receive all parts identified by reference numbers 6:1, 6:2, and 6:3. However, you may also order any part individually. Reference numbers of this type appear in illustration and in parts lists.

## Reference Numbers Indicating Quantity

In an illustration, if a reference number indicates more than one part, the reference number has the form nX y. The n represents the quantity of the part, the X is the multiplication symbol, and the y represents the reference number.

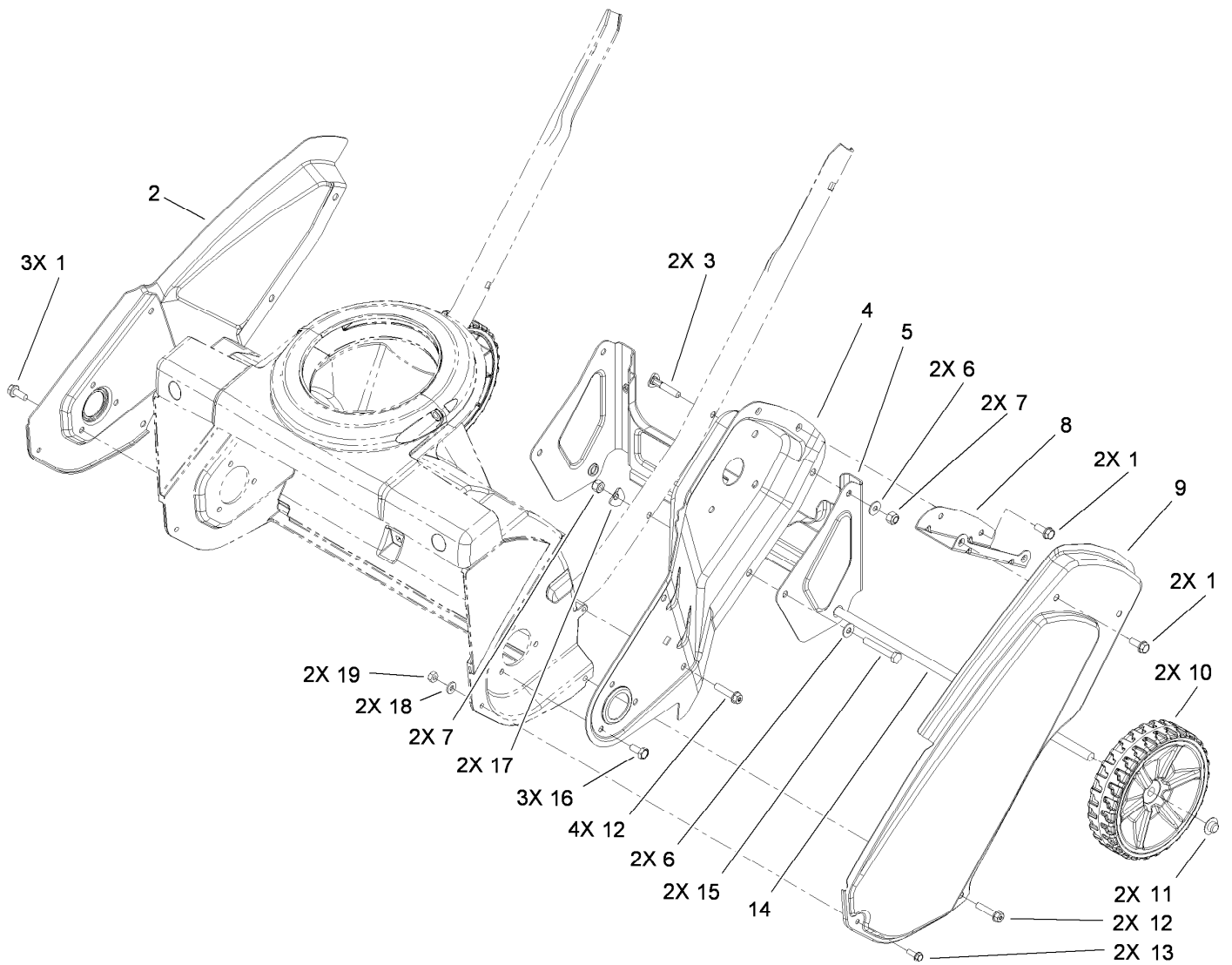
For example, in an illustration, the reference number 2X 37 means that two of the parts identified by reference number 37 are indicated.

# List of Abbreviations

|  |  |  |
|--|--|--|
| <b>AR:</b> as required                       | <b>HLH:</b> hex lag head                       | <b>PTO:</b> power-take-off               |
| <b>ASM:</b> assembly                         | <b>HOC:</b> height-of-cut                      | <b>RH:</b> right hand                    |
| <b>BBC:</b> blade brake control              | <b>HSBH:</b> hex socket button head            | <b>ROPS:</b> roll-over protection system |
| <b>BHTF:</b> button head thread forming      | <b>HSFH:</b> hex socket flat head              | <b>RRB:</b> rear roller brush            |
| <b>CARR:</b> carriage                        | <b>HSH:</b> hex socket head                    | <b>SFH:</b> slotted fillister head       |
| <b>CCW:</b> counter clockwise                | <b>HWH:</b> hex washer head                    | <b>SHH:</b> slotted hex head             |
| <b>CW:</b> clockwise                         | <b>HWHTF:</b> hex washer head thread forming   | <b>SHWH:</b> slotted hex washer head     |
| <b>DEG:</b> degrees                          | <b>HYD:</b> hydraulic                          | <b>SPH:</b> slotted pan head             |
| <b>DPA:</b> Dual Point Adjustment            | <b>LH:</b> left hand                           | <b>SQH:</b> square head                  |
| <b>ECM:</b> electronic control module        | <b>LP:</b> Liquefied Petroleum Gas             | <b>SRH:</b> slotted round head           |
| <b>EXT:</b> external                         | <b>LPG:</b> Liquefied Petroleum Gas            | <b>STD:</b> standard                     |
| <b>FH:</b> flat head                         | <b>NI:</b> nylon insert                        | <b>TAP:</b> self tapping                 |
| <b>GA:</b> gauge                             | <b>NPTF:</b> national pipe thread fine         | <b>TTH:</b> torx truss head              |
| <b>HD:</b> heavy-duty                        | <b>PFH:</b> phillips flat head                 |  |
| <b>HF:</b> hex flange                        | <b>PPH:</b> phillips pan head                  |  |
| <b>HH:</b> hex head                          | <b>PPHTF:</b> phillips pan head thread forming |  |
| <b>HHF:</b> hex head flange                  | <b>PRH:</b> phillips round head                |  |
| <b>HHFTF:</b> hex head flange thread forming | <b>PTH:</b> phillips truss head                |  |
| <b>HJ:</b> hex jam                           |  |  |

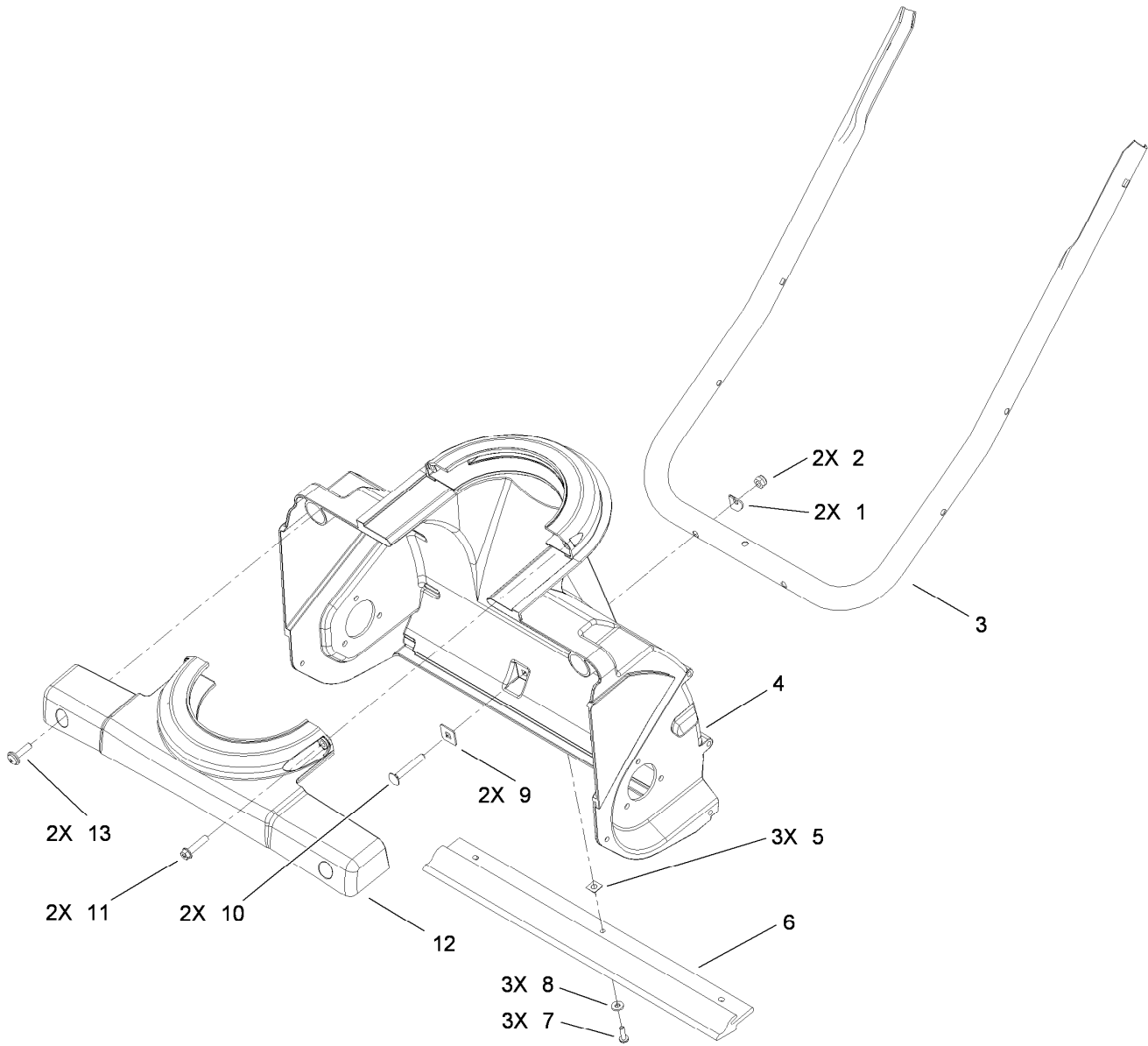
# Contents

|   |    |
|---|----|
| Main Frame and Wheel Assembly .....                         | 4  |
| Auger Housing Assembly .....                                | 5  |
| Rotor Drive Assembly .....                                  | 6  |
| Belt and Drive Assembly .....                               | 7  |
| Engine Assembly .....                                       | 8  |
| Electric Start Engine Component Assembly No. 119-1975 ..... | 9  |
| Shroud Assembly .....                                       | 10 |
| Handle Assembly .....                                       | 11 |
| Deflector Chute Control Assembly .....                      | 12 |
| Attachments and Accessories .....                           | 13 |



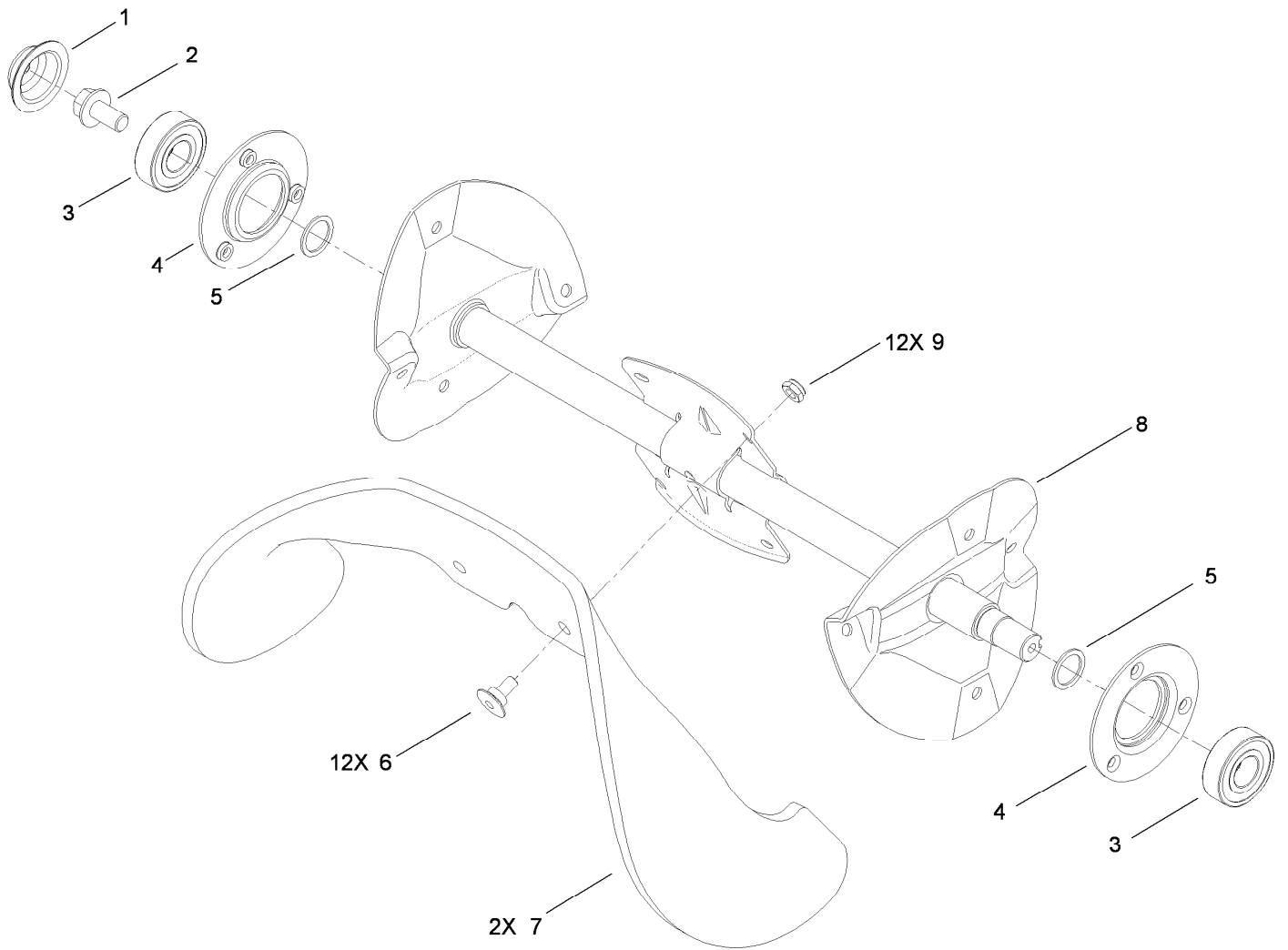
## Main Frame and Wheel Assembly

| <i>Ref.</i> | <i>Part Number</i> | <i>Qty.</i> | <i>Description</i>  | <i>Ref.</i> | <i>Part Number</i> | <i>Qty.</i> | <i>Description</i> |
|-------------|--------------------|-------------|---------------------|-------------|--------------------|-------------|--------------------|
| 1           | 32144-85           | 7           | Screw-HWH           | 11          | 3290-320           | 2           | Retainer-Push On   |
| 2           | 117-7704-03        | 1           | Sideplate-RH        | 12          | 46-8094            | 6           | Screw-Plastite     |
| 3           | 117-7737           | 2           | Screw-Handle        | 13          | 32105-23           | 2           | Screw              |
| 4           | 117-2349-03        | 1           | Sideplate-LH        | 14          | 117-2339           | 1           | Axle               |
| 5           | 117-7702-03        | 1           | Bracket-Wheel       | 15          | 321-53             | 2           | Screw-HH           |
| 6           | 3256-1             | 4           | Washer-Flat         | 16          | 114-9291           | 3           | Screw-HH, Taptite  |
| 7           | 3296-73            | 4           | Nut-Lock, NI        | 17          | 3-7501             | 2           | Washer             |
| 8           | 117-2334-03        | 1           | Bracket-Cover, Belt | 18          | 3256-14            | 2           | Washer-Flat        |
| 9           | 117-7703-03        | 1           | Cover-Belt          | 19          | 3296-2             | 2           | Nut-Lock, NI       |
| 10          | 117-2306           | 2           | Wheel ASM           |             |                    |             |                    |



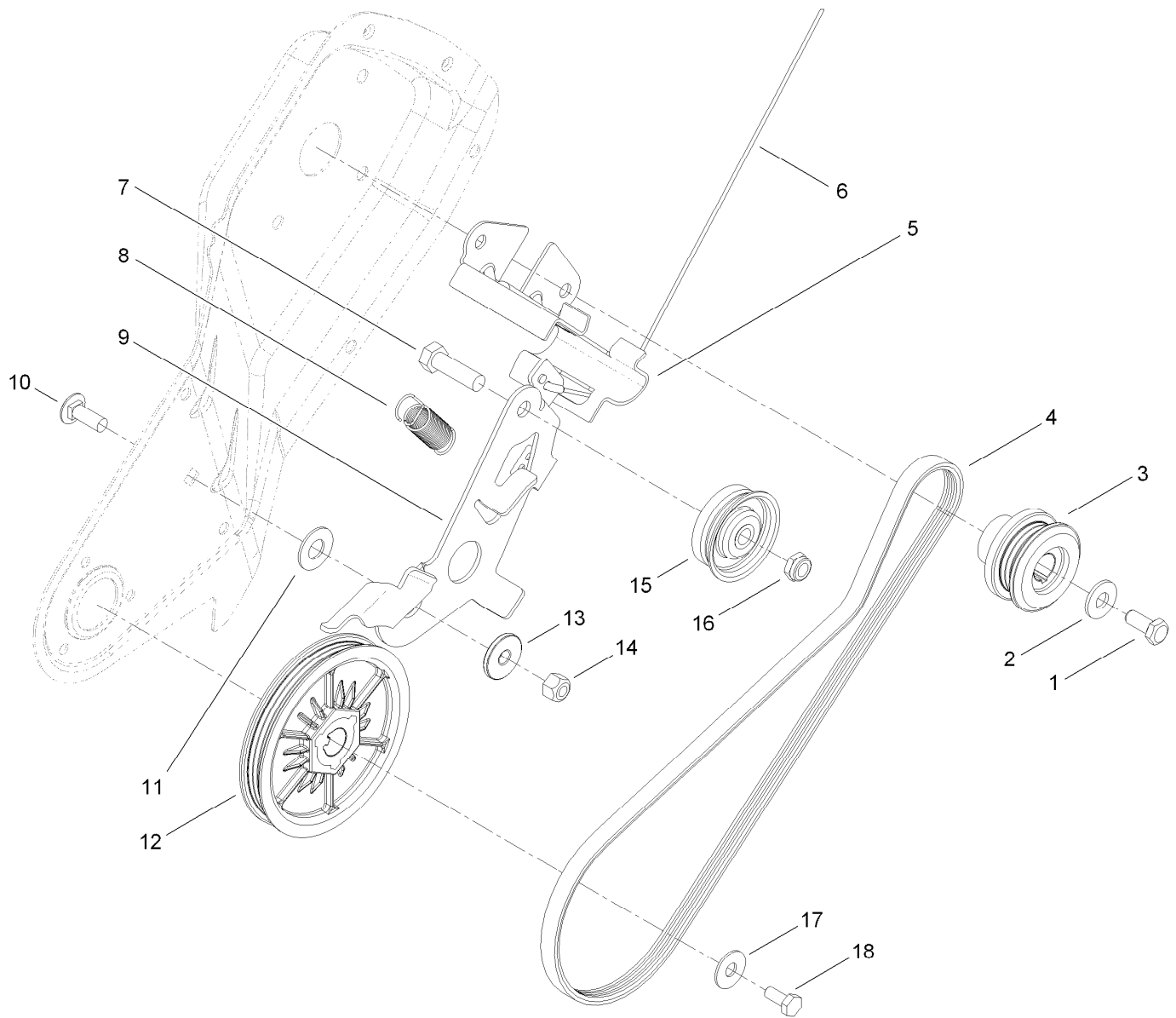
## Auger Housing Assembly

| Ref. | Part Number | Qty. | Description     |
|------|-------------|------|-----------------|
| 1    | 3-7501      | 2    | Washer          |
| 2    | 3296-73     | 2    | Nut-Lock, NI    |
| 3    | 117-2348-03 | 1    | Handle-Lower    |
| 4    | 117-2331    | 1    | Housing-Lower   |
| 5    | 32115-19    | 3    | Nut-Clip, U     |
| 6    | 117-7717    | 1    | Scraper         |
| 7    | 32144-34    | 3    | Screw-HWHTF     |
| 8    | 3256-14     | 3    | Washer-Flat     |
| 9    | 75-9040     | 2    | Washer-Square   |
| 10   | 3229-5      | 2    | Screw-CARR      |
| 11   | 46-8094     | 2    | Screw-Plastite  |
| 12   | 117-2332    | 1    | Retainer-Chute  |
| 13   | 110-9361    | 2    | Screw-PPH, Sems |



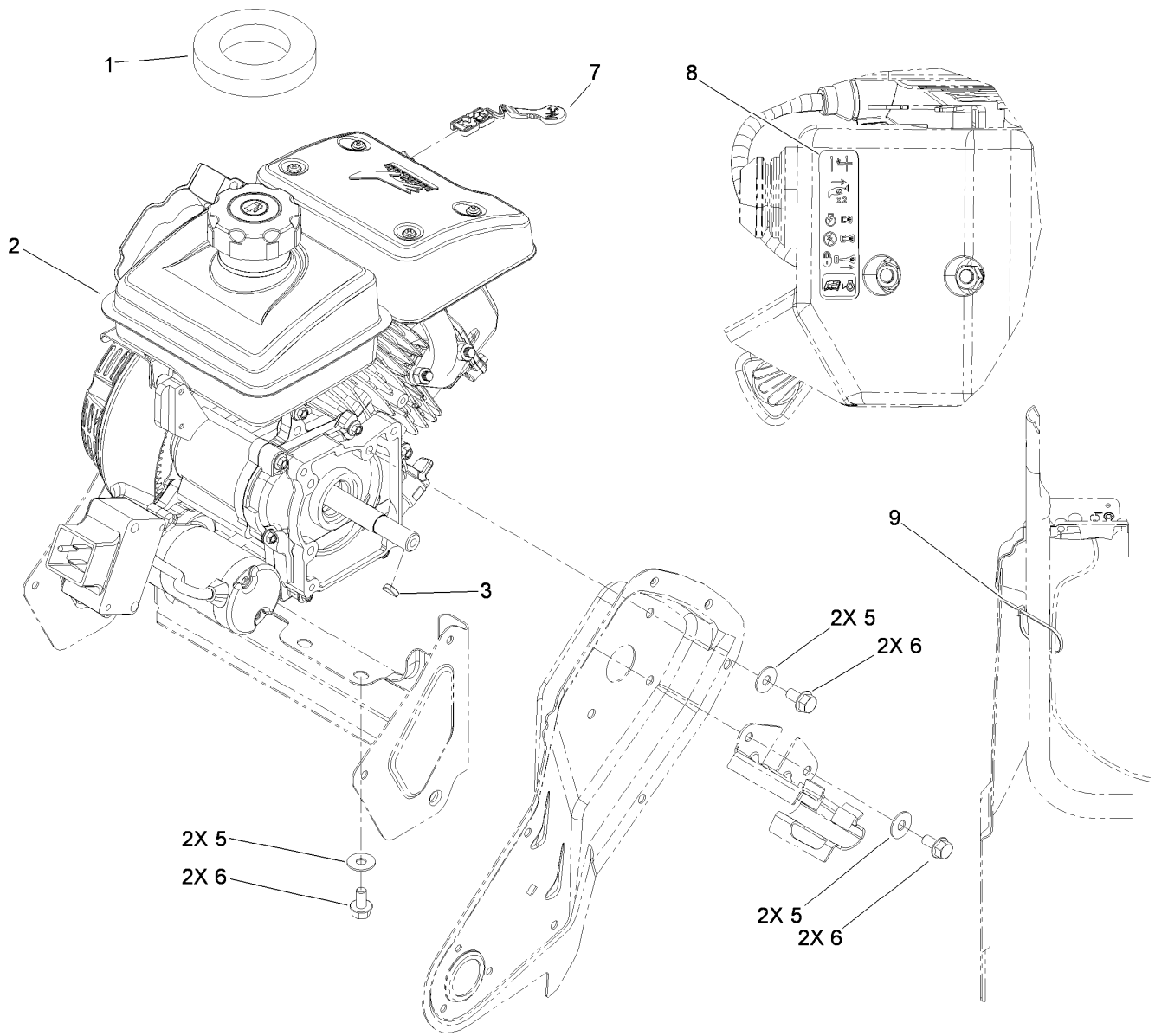
## Rotor Drive Assembly

| <i>Ref.</i> | <i>Part Number</i> | <i>Qty.</i> | <i>Description</i> |
|-------------|--------------------|-------------|--------------------|
| 1           | 117-7720           | 1           | Cap-Sideplate, RH  |
| 2           | 110-9380           | 1           | Screw-HWH          |
| 3           | 100-1048           | 2           | Bearing-Ball       |
| 4           | 112-8105           | 2           | Flange-Bearing     |
| 5           | 52-7280            | 2           | Washer-Thrust      |
| 6           | 84-1970            | 12          | Screw              |
| 7           | 117-7700           | 2           | Blade-Rotor        |
| 8           | 117-2315-03        | 1           | Rotor ASM          |
| 9           | 3296-56            | 12          | Nut-Lock, NI       |



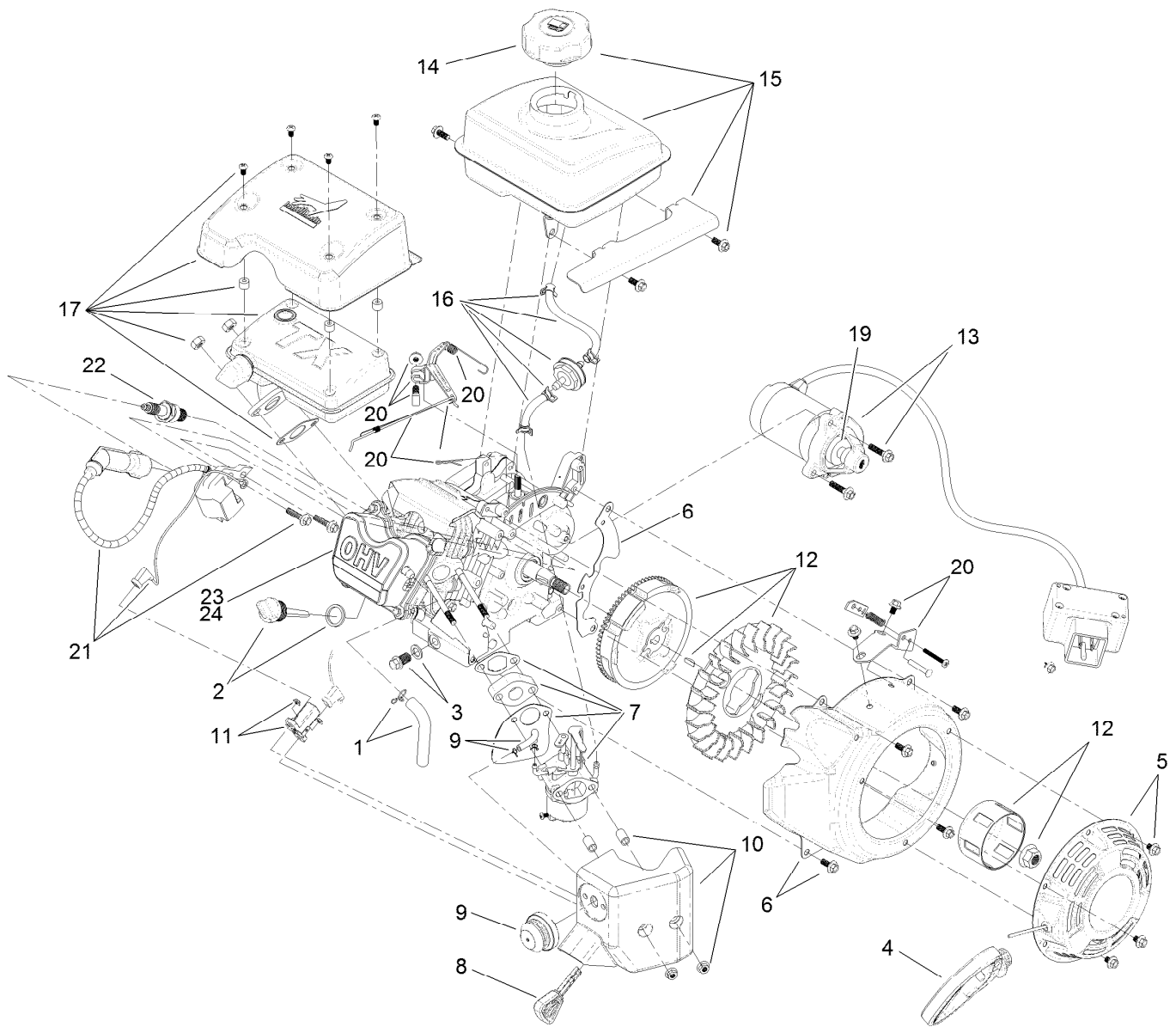
## Belt and Drive Assembly

| <i>Ref.</i> | <i>Part Number</i> | <i>Qty.</i> | <i>Description</i> | <i>Ref.</i> | <i>Part Number</i> | <i>Qty.</i> | <i>Description</i> |
|-------------|--------------------|-------------|--------------------|-------------|--------------------|-------------|--------------------|
| 1           | 3235-6             | 1           | Screw-HH           | 10          | 3230-10            | 1           | Screw-CARR         |
| 2           | 3256-71            | 1           | Washer-Flat        | 11          | 25-5640            | 1           | Washer             |
| 3           | 117-7734           | 1           | Pulley-Engine      | 12          | 117-7732           | 1           | Rotor Pulley ASM   |
| 4           | 117-7733           | 1           | Belt-V, Ribbed     | 13          | 117-7711           | 1           | Bushing-Idler      |
| 5           | 119-2907           | 1           | Guide-Belt         | 14          | 3296-29            | 1           | Nut-Lock, NI       |
| 6           | 117-7721           | 1           | Cable-Clutch       | 15          | 117-9105           | 1           | Pulley-Idler       |
| 7           | 323-44             | 1           | Screw-HH           | 16          | 3296-59            | 1           | Nut-Lock, NI       |
| 8           | 117-7715           | 1           | Spring-Brake       | 17          | 3290-456           | 1           | Washer-Belleville  |
| 9           | 117-7735           | 1           | Arm-Idler          | 18          | 110-9381           | 1           | Screw-HH           |



## Engine Assembly

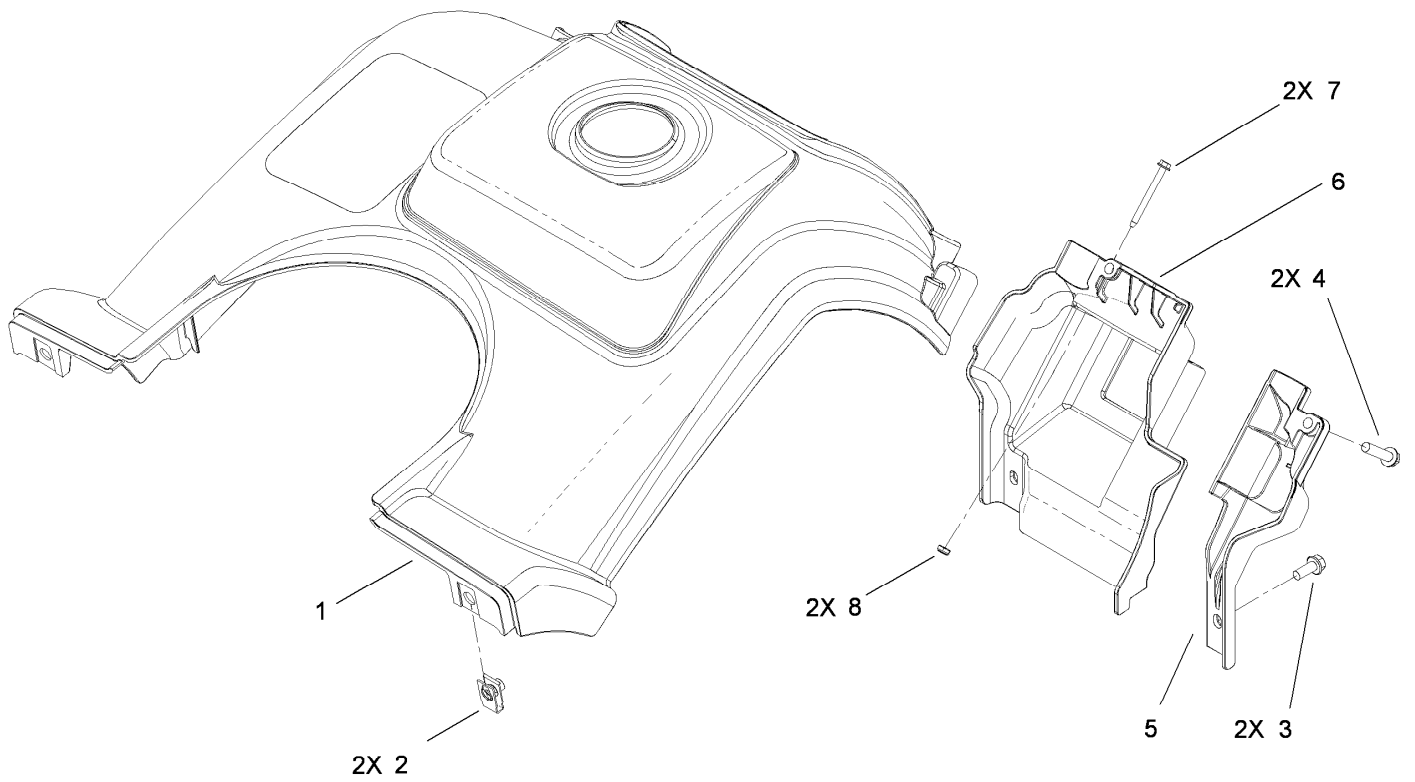
| Ref. | Part Number | Qty. | Description            |
|------|-------------|------|------------------------|
| 1    | 117-7723    | 1    | Seal-Tank              |
| 2    | 119-1975    | 1    | Engine-Lc154Fds-1      |
| 3    | 3257-3      | 1    | Key-Woodruff           |
| 5    | 3290-456    | 6    | Washer-Belleville      |
| 6    | 33104-016   | 6    | Screw-HHF              |
| 7    | 117-7727    | 1    | Lever-Choke            |
| 8    | 120-0149    | 1    | Decal-Controls, Engine |
| 9    | 614249      | 1    | Tie-Cable              |



## Electric Start Engine Component Assembly No. 119-1975

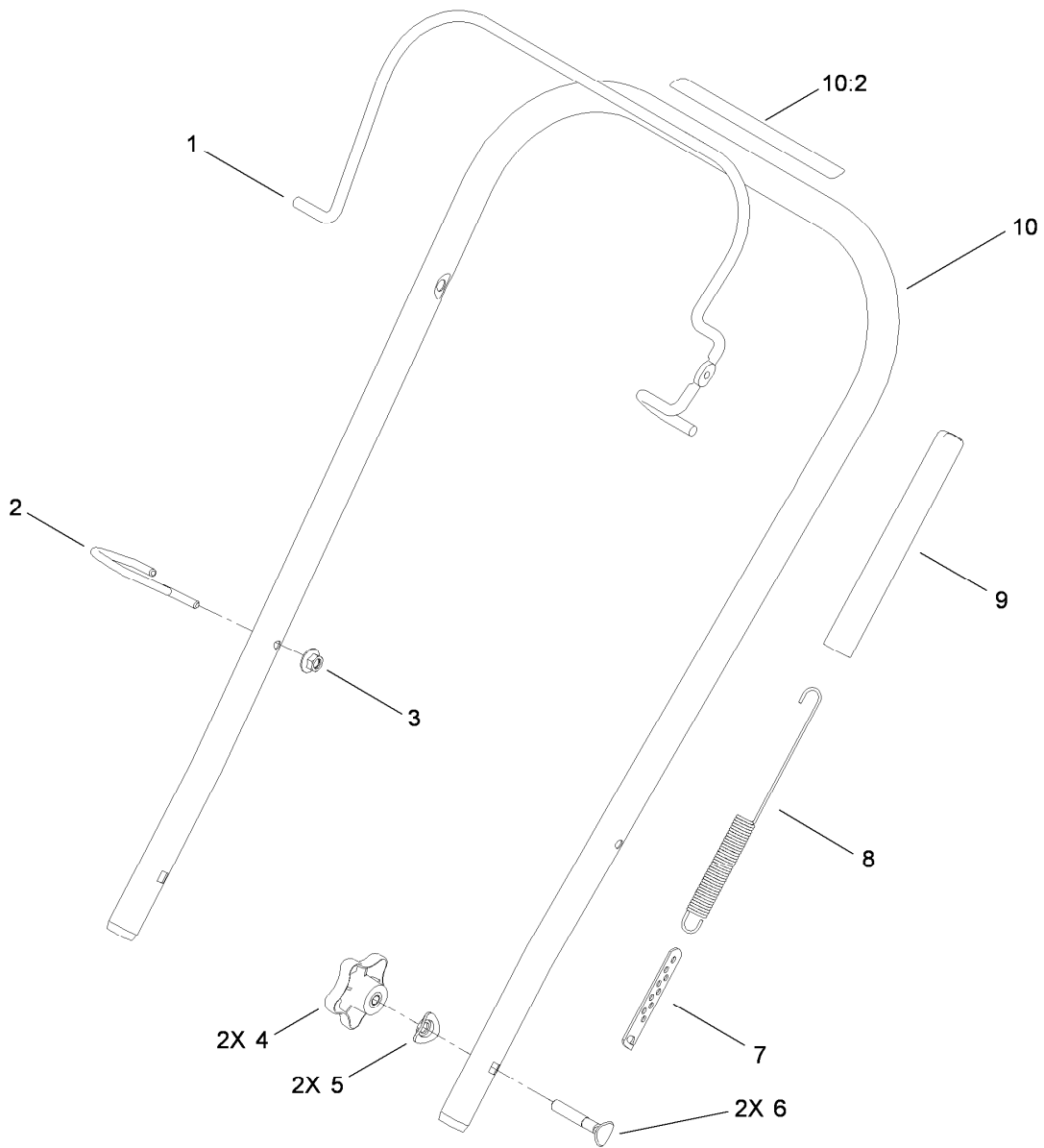
| Ref. | Part Number | Qty. | Description               | Ref. | Part Number | Qty. | Description                              |
|------|-------------|------|---------------------------|------|-------------|------|--|
| 1    | 119-1921    | 1    | Breather Tube Kit         | 15   | 119-1985    | 1    | Fuel Tank, Cap And Hardware Kit          |
| 2    | 119-1922    | 1    | Dipstick And O-Ring Kit   | 16   | 119-1937    | 1    | Fuel Line, Filter And Clamp Kit          |
| 3    | 119-1923    | 1    | Drain Plug Kit            | 17   | 119-1938    | 1    | Muffler Kit                              |
| 4    | 119-1924    | 1    | Mitten Grip Kit           | 18   | 119-1939    | 1    | Gasket, Seal And O-Ring Kit ●            |
| 5    | 119-1925    | 1    | Recoil ASM Kit            | 19   | 119-1940    | 1    | Pinion Kit                               |
| 6    | 119-1926    | 1    | Blower Shroud Kit         | 20   | 119-1987    | 1    | Governor Arm, Spring, Link, Hardware Kit |
| 7    | 119-1980    | 1    | Complete Carb Service Kit | 21   | 119-1960    | 1    | Ignition Kit                             |
| 7    | 119-1988    | 1    | Carb Float And Needle Kit | 22   | 119-1961    | 1    | Spark Plug                               |
| 8    | 119-1929    | 1    | Key And Lanyard Kit       | 23   | 121-0110    | 1    | Gasket-Cover, Valve                      |
| 9    | 119-1981    | 1    | Primer Bulb Kit           | 24   | 121-0466    | 1    | Valve Cover ASM                          |
| 10   | 119-1982    | 1    | Heater Box Kit            |      |             |      |  |
| 11   | 119-1932    | 1    | Switch Kit                |      |             |      |  |
| 12   | 119-1933    | 1    | Flywheel Kit              |      |             |      |  |
| 13   | 119-1983    | 1    | Electric Starter Kit      |      |             |      |  |
| 14   | 119-1984    | 1    | Fuel Cap ASM Kit          |      |             |      |  |

● Not illustrated



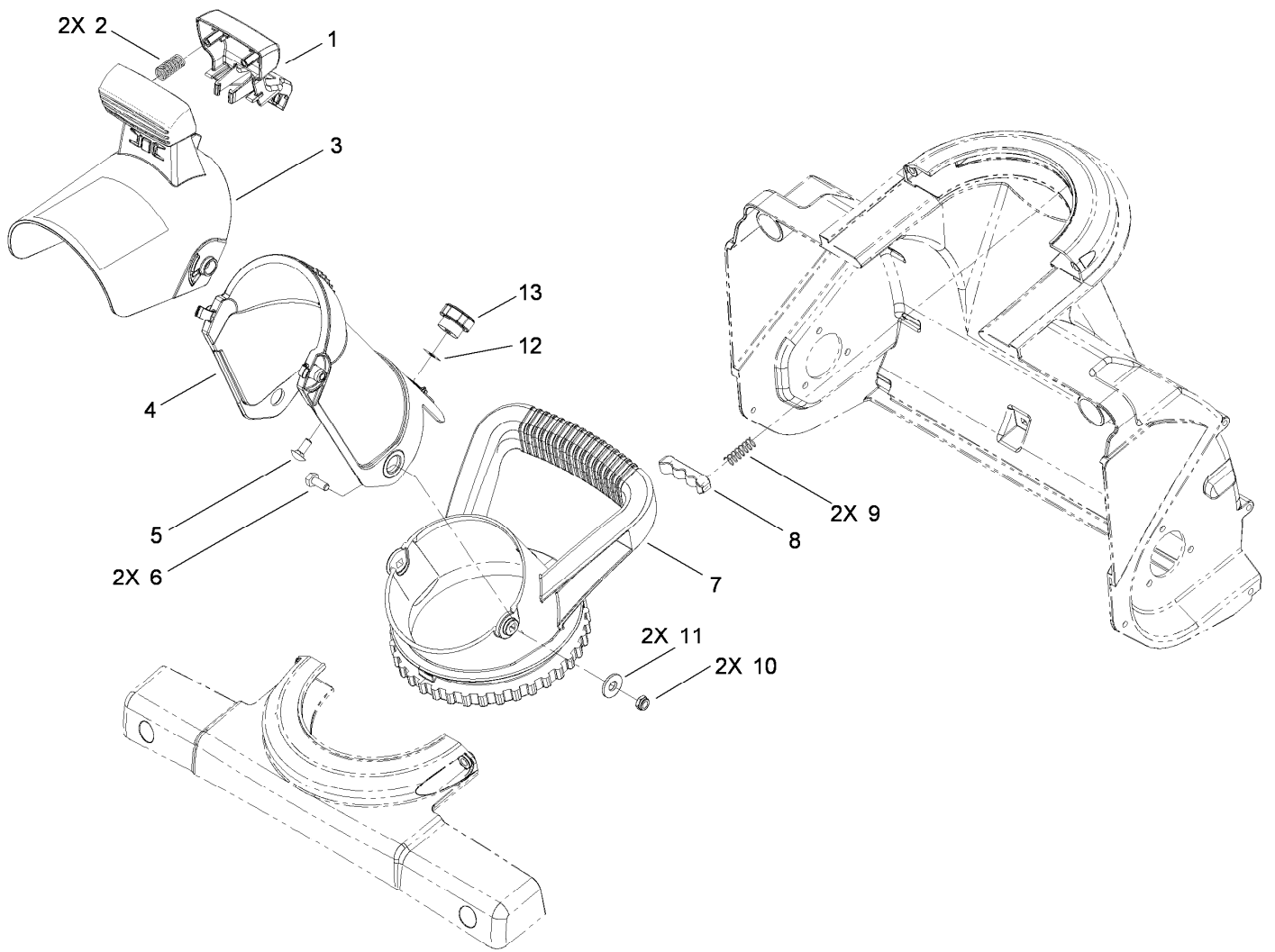
## Shroud Assembly

| <i>Ref.</i> | <i>Part Number</i> | <i>Qty.</i> | <i>Description</i> |
|-------------|--------------------|-------------|--------------------|
| 1           | 117-7744           | 1           | Shroud ASM         |
| 2           | 107069             | 2           | Clip               |
| 3           | 32144-85           | 2           | Screw-HWH          |
| 4           | 46-8094            | 2           | Screw-Plastite     |
| 5           | 117-7719           | 1           | Shroud-Lower, LH   |
| 6           | 117-7707           | 1           | Shroud-Lower, RH   |
| 7           | 117-9106           | 2           | Screw-HWH          |
| 8           | 3296-9             | 2           | Nut-Lock           |



## Handle Assembly

| <b>Ref.</b> | <b>Part Number</b> | <b>Qty.</b> | <b>Description</b>     |
|-------------|--------------------|-------------|------------------------|
| 1           | 117-7718-03        | 1           | Bail-Clutch            |
| 2           | 117-7712           | 1           | Guide-Rope, Recoil     |
| 3           | 114-3778           | 1           | Nut-Lock, NI           |
| 4           | 106-4161           | 2           | Knob-Handle            |
| 5           | 107-3844           | 2           | Washer                 |
| 6           | 92-2260            | 2           | Screw-Handle           |
| 7           | 71-5330            | 1           | Adjuster-Cable, Clutch |
| 8           | 119-2913           | 1           | Spring-Clutch          |
| 9           | 114-3796           | 1           | Cover-Spring           |
| 10          | 117-7743           | 1           | Upper Handle ASM       |
| 10:2        | 117-7713           | 1           | Decal-Safety           |



## Deflector Chute Control Assembly

| Ref. | Part Number | Qty. | Description            |
|------|-------------|------|------------------------|
| 1    | 117-2314    | 1    | Trigger-Deflector      |
| 2    | 110-9360    | 2    | Spring-Compression     |
| 3    | 117-7742    | 1    | Chute Deflector ASM    |
| 4    | 117-2312    | 1    | Chute-Discharge        |
| 5    | 3229-11     | 1    | Screw-CARR             |
| 6    | 321-3       | 2    | Screw-HH               |
| 7    | 117-2345    | 1    | Handle-Chute           |
| 8    | 75-9160     | 1    | Detent-Chute           |
| 9    | 75-9170     | 2    | Spring-Compression     |
| 10   | 3296-56     | 2    | Nut-Lock, NI           |
| 11   | 3256-81     | 2    | Washer-Flat            |
| 12   | 32115-15    | 1    | Pushnut-Retainer, Bolt |
| 13   | 233-67      | 1    | Knob-Chute             |

# Attachments and Accessories

## For 38282 Power Clear 180 Snowthrower

**Product Name**

**Model/Part**

Case of 24 12-Ounce Bottles 5W30 Winter Oil ..... 38907

**Notes:**

**Notes:**



**Count on it.**