



Count on it.

Parts Catalog

Pro Sneak 360 Vibratory Plow

Model No. 25400—Serial No. 313000001 and Up

Model No. 25400A—Serial No. 314000001 and Up

Model No. 25400C—Serial No. 314000001 and Up



Ordering Replacement Parts

To order replacement parts, please supply the part number, the quantity, and the description of each part desired.

Understanding Reference Numbers

Each identified part in an illustration has a reference number. The reference number for a part also appears in the parts list, along with other information about the part.

This catalog uses two special reference number formats, one to indicate parts in a service assembly and another to indicate the quantity of a given part in an illustration.

Service Assembly Reference Numbers

Parts in service assemblies have reference numbers in the form a:b. The a represents the reference number of the entire service assembly and the b represents a sequential number unique to each part within the service assembly.

For example, a wheel assembly might be identified by reference number 6, the tire by 6:1, the valve by 6:2, and the wheel by 6:3. When you order the assembly identified by reference number 6, you receive all parts identified by reference numbers 6:1, 6:2, and 6:3. However, you may also order any part individually. Reference numbers of this type appear in illustration and in parts lists.

Reference Numbers Indicating Quantity

In an illustration, if a reference number indicates more than one part, the reference number has the form nX y. The n represents the quantity of the part, the X is the multiplication symbol, and the y represents the reference number.

For example, in an illustration, the reference number 2X 37 means that two of the parts identified by reference number 37 are indicated.

List of Abbreviations

AR: as required

ASM: assembly

BBC: blade brake control

BHTF: button head thread forming

CARR: carriage

CCW: counter clockwise

CW: clockwise

DEG: degrees

DPA: Dual Point Adjustment

ECM: electronic control module

EXT: external

FH: flat head

GA: gauge

HD: heavy-duty

HF: hex flange

HH: hex head

HHF: hex head flange

HHFTF: hex head flange thread forming

HJ: hex jam

HLH: hex lag head

HOC: height-of-cut

HP: high pressure

HSBH: hex socket button head

HSFH: hex socket flat head

HSH: hex socket head

HWH: hex washer head

HWHTF: hex washer head thread forming

HYD: hydraulic

LH: left hand

LP: low pressure

LPG: Liquefied Petroleum Gas

NI: nylon insert

NPTF: national pipe thread fine

PFH: phillips flat head

PPH: phillips pan head

PPHTF: phillips pan head thread forming

PRH: phillips round head

PTH: phillips truss head

PTO: power-take-off

RH: right hand

ROPS: roll-over protection system

RRB: rear roller brush

SFH: slotted fillister head

SHH: slotted hex head

SHWH: slotted hex washer head

SPH: slotted pan head

SQH: square head

SRH: slotted round head

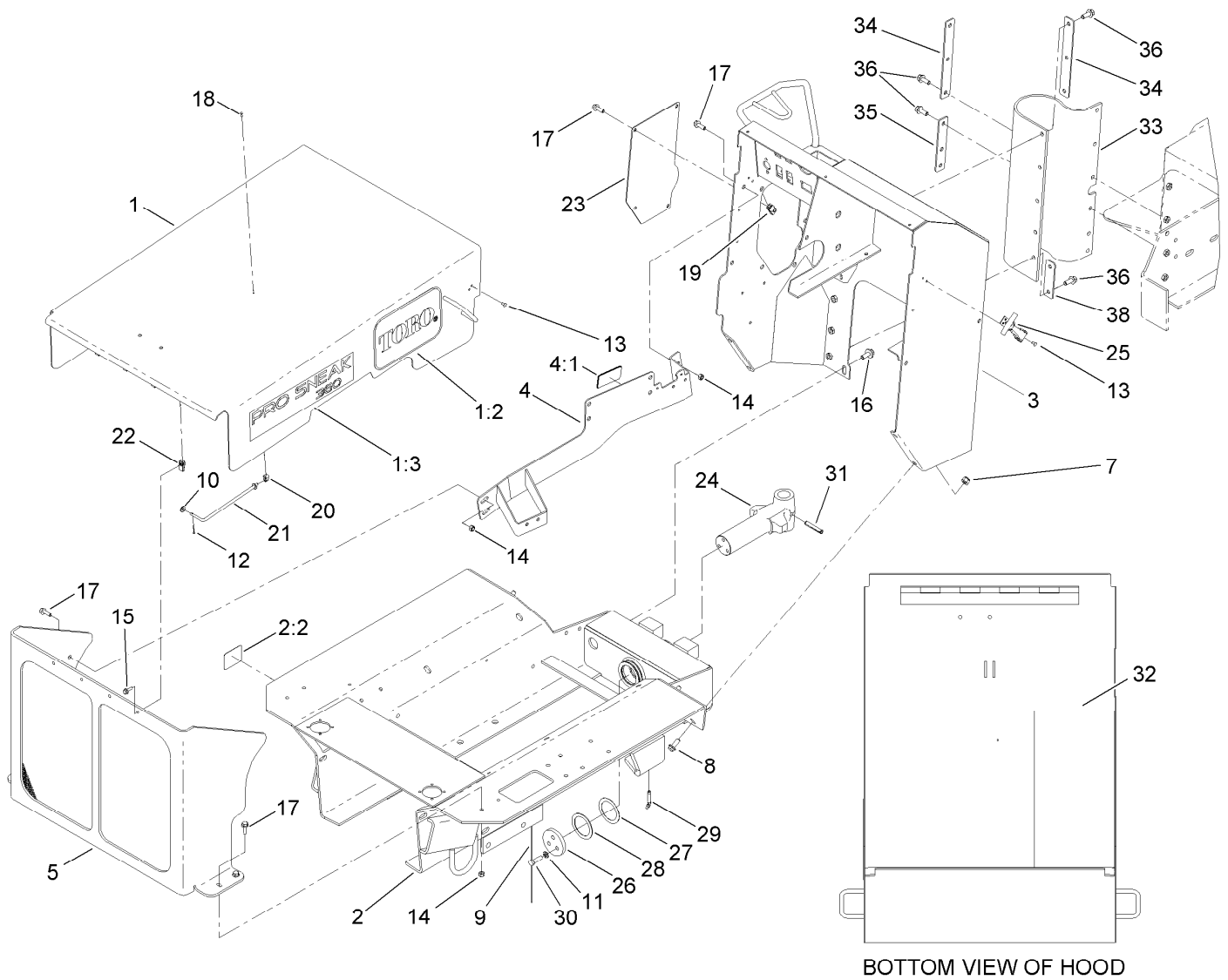
STD: standard

TAP: self tapping

TTH: torx truss head

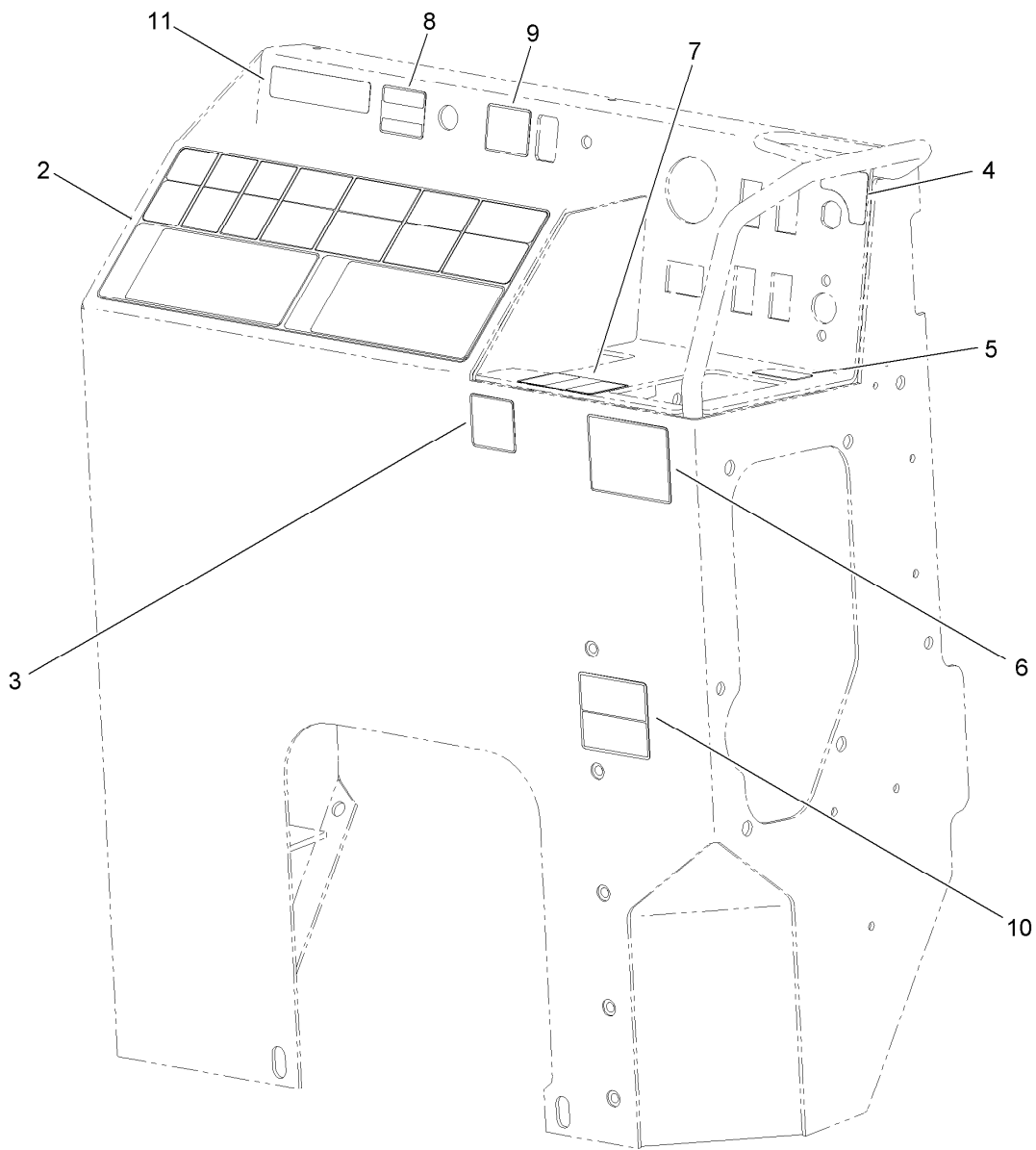
Contents

| | |
|--|----|
| Frame, Console and Hood Assembly | 4 |
| Console and Decal Assembly No. 127-1027 | 5 |
| Seat and Rear Frame Assembly | 6 |
| Transmission and Drive Axle Assembly | 8 |
| Drive Axle Assembly No. AU110858A1-03 | 10 |
| Transmission Assembly No. AU104951 | 12 |
| Drive Shaft Assembly No. AU111086A1 | 13 |
| Engine, Air Cleaner and Exhaust Assembly | 14 |
| Air Cleaner Assembly No. 106-5277 | 16 |
| Hydraulic Reservoir Assembly | 17 |
| Radiator Assembly | 18 |
| Hydraulic Steering Valve, Cylinder and Hose Assembly | 20 |
| Hydraulic Steering Valve Assembly No. AU407213A1 | 22 |
| Variable Pump and Hose Assembly | 24 |
| Hydraulic Variable Pump Assembly No. AU239918A1 | 26 |
| Hydraulic Motor and Hose Assembly | 28 |
| Hydraulic Piston Motor Assembly No. AU239920A2 | 30 |
| 3 Way Plow and Hose Assembly | 32 |
| 3 Way Hydraulic Plow Valve Assembly No. AU106887 | 34 |
| Fuel Tank Assembly | 36 |
| Ground Drive Control Assembly | 38 |
| Neutral Switch Mounting Assembly No. 125-6646 | 40 |
| Ground Drive - Pump Control Assembly | 41 |
| Roll-Over Protection System Assembly | 42 |
| Electrical Harness Assembly | 44 |
| Dash Assembly | 46 |
| Battery Assembly | 48 |
| Brake Assembly | 50 |
| Brake Caliper Assembly No. AUH673926 | 52 |
| Plow Frame, Blade Mounting and Transmission Assembly | 53 |
| Gear Case Assembly No. AUH530204 | 54 |
| Plow Cylinder Assembly | 56 |
| Plow Pivot and Quick Attach Slide Assembly | 58 |
| 26 Inch Tire Assembly | 59 |
| Attachments and Accessories | 60 |



Frame, Console and Hood Assembly

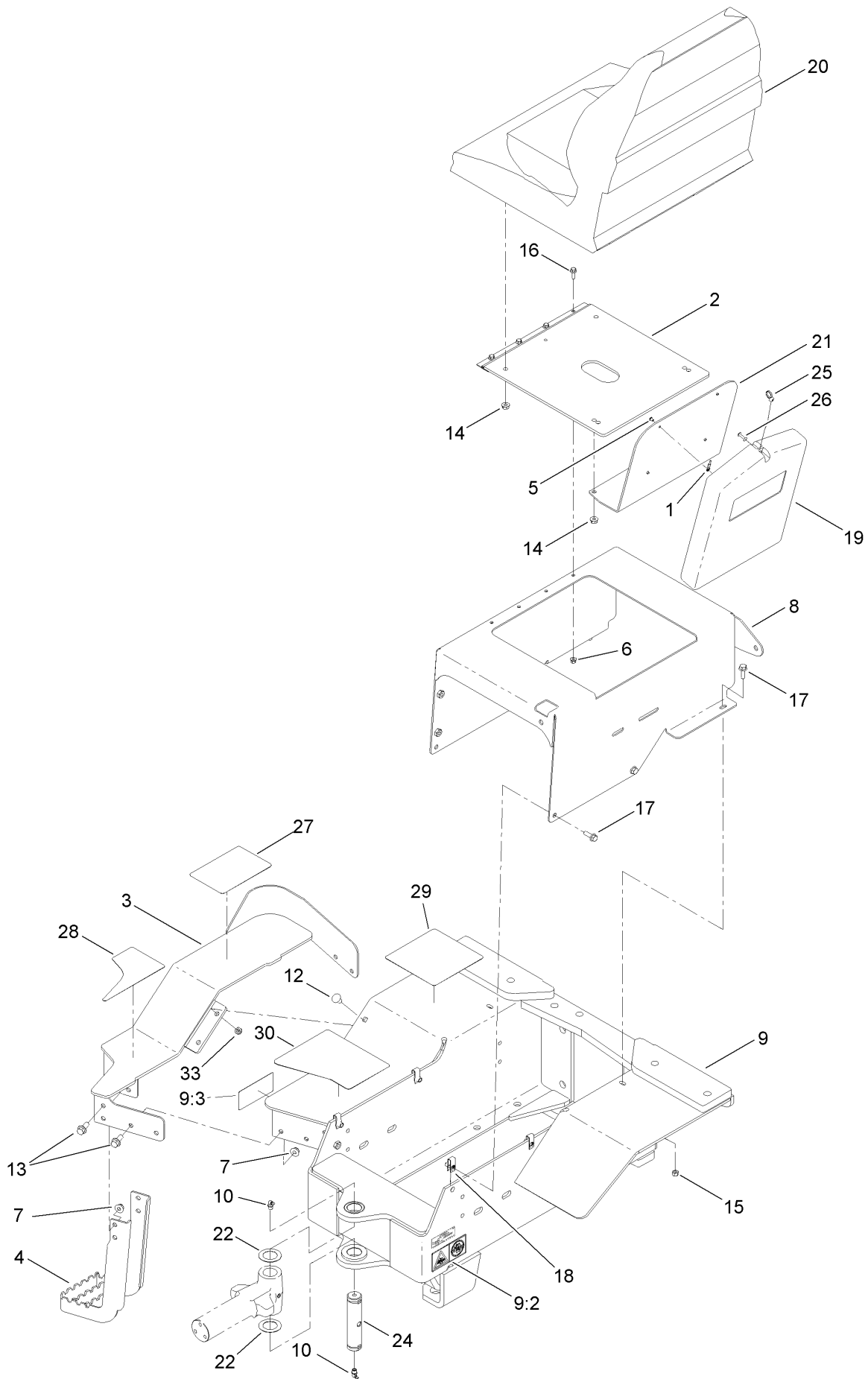
| Ref. | Part Number | Qty. | Description | Ref. | Part Number | Qty. | Description |
|------|-------------|------|------------------------------|------|-------------|------|---------------------|
| 1 | 127-1007 | 1 | Hood And Decal ASM | 17 | 33104-025 | 11 | Screw-HHF |
| 1:2 | 66-6140 | 2 | Decal | 18 | 923786 | 1 | Rivet |
| 1:3 | 125-6685 | 2 | Decal | 19 | AU100862 | 4 | Nut-U |
| 2 | 127-1026 | 1 | Front Frame And Decal ASM | 20 | AU104990 | 1 | Holder-Prop, Rod |
| 2:2 | 125-6694 | 2 | Decal-Tie Down | 21 | AU107384-03 | 1 | Rod-Hood |
| 3 | 127-1027 | 1 | Console And Decal ASM | 22 | AU108120 | 4 | Nut-U |
| 4 | 127-1028 | 1 | Center Bracket And Decal ASM | 23 | AU119023-01 | 1 | Panel-Cover |
| 4:1 | 125-6687 | 1 | Decal-Danger, Starting | 24 | AU127310A1 | 1 | Pivot-Articulation |
| 5 | 125-8456-01 | 1 | Support-Grill And Hood | 25 | ST35289 | 2 | Latch-Flex, Draw |
| 7 | 103-9511 | 4 | Nut-Lock, NI | 26 | AUH182543 | 1 | Cap |
| 8 | 108-1531 | 4 | Screw-HHF | 27 | AUH191148 | 2 | Shim-Thin |
| 9 | AU391-620 | 1 | Wire-Steel | 28 | AUH191155 | 2 | Shim |
| 10 | AU496-21028 | 1 | Washer | 29 | AUH672990 | 1 | Fitting-Grease |
| 11 | 3253-21 | 3 | Washer-Lock | 30 | AUH95877 | 3 | Screw-HH |
| 12 | 3272-6 | 1 | Pin-Cotter | 31 | AU38-12436 | 1 | Pin-Slotted, Spring |
| 13 | 3290-409 | 8 | Rivet | 32 | 127-1072 | 1 | Tape-Heat Shield |
| 14 | 33024-00 | 7 | Nut-Lock, NI | 33 | 125-6620 | 1 | Shield, Rubber |
| 15 | 33103-020 | 4 | Screw-HHF | 34 | 125-6649-03 | 2 | Plate |
| 16 | 33106-025 | 2 | Screw-HHF | 35 | 125-6648-03 | 1 | Plate |
| | | | | 36 | 3234-11 | 11 | Screw-HHF |
| | | | | 38 | 127-1092-03 | 1 | Plate |



Console and Decal Assembly No. 127-1027

| <i>Ref.</i> | <i>Part Number</i> | <i>Qty.</i> | <i>Description</i> |
|-------------|--------------------|-------------|----------------------------|
| 2 | 125-6673 | 1 | Decal-Safety |
| 3 | 125-6674 | 1 | Decal-Parking Brake |
| 4 | 125-6677 | 1 | Decal-Ignition |
| 5 | 125-6679 | 1 | Decal-Glow Plug |
| 6 | 125-6680 | 1 | Decal-Ground Drive Control |
| 7 | 125-6675 | 1 | Decal-Attachment Lift |
| 8 | 125-6683 | 1 | Decal-Throttle |
| 9 | 125-6682 | 1 | Decal-PTO, Vibe Plow |
| 10 | 125-8491 | 1 | Decal-Warning, Shield |
| 11 | 117-2718 | 1 | Decal-Arrester, Spark |

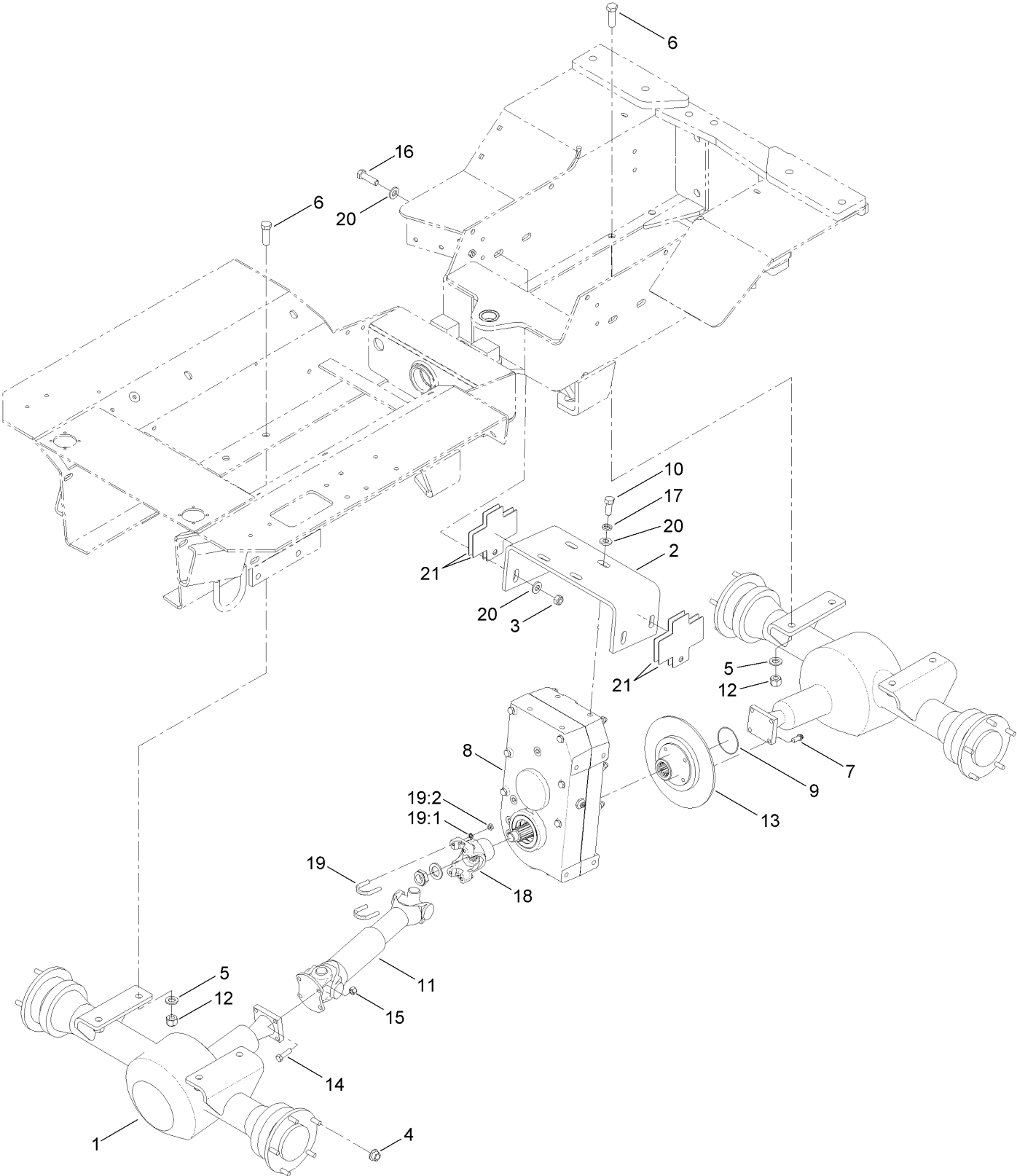
Seat and Rear Frame Assembly



Seat and Rear Frame Assembly (continued)

| <i>Ref.</i> | <i>Part Number</i> | <i>Qty.</i> | <i>Description</i> | <i>Ref.</i> | <i>Part Number</i> | <i>Qty.</i> | <i>Description</i> |
|-------------|--------------------|-------------|------------------------------------|-------------|--------------------|-------------|---------------------------------|
| 1 | AUR46465 | 1 | Lanyard | 15 | 33024-00 | 2 | Nut-Lock, NI |
| 2 | 125-8463-01 | 1 | Plate-Seat | 16 | 33103-020 | 4 | Screw-HHF |
| 3 | 125-6650-01 | 1 | Platform-Extension | 17 | 33104-025 | 6 | Screw-HHF |
| 4 | 125-6656-01 | 1 | Step-Platform | 18 | 127-8408 | 4 | Nut-U |
| 5 | 1-803035 | 4 | Rivet-Pop | 19 | AU103216 | 1 | Holder-Manual |
| 6 | 81-0130 | 4 | Nut-Flange, NI | 20 | AU125667 | 1 | Seat-Non Suspension |
| 7 | 104-8301 | 8 | Nut-Flange, NI | 21 | AU125684-01 | 1 | Plate-Mount, Operator Manual |
| 8 | 127-1098 | 1 | Support-Seat | 22 | AUH257915 | 2 | Shim |
| 9 | 127-1025 | 1 | Rear Frame And Decal ASM | 24 | AUH371054 | 1 | Pin-Pivot |
| 9:2 | 125-6672 | 1 | Decal-Danger, Articulated Joint | 25 | AUR40745 | 1 | Strap-Tie, Nylon |
| 9:3 | 125-8487 | 1 | Decal-Warning, Step Extension | 26 | AUR46463 | 1 | Post-Manual |
| 10 | 302-33 | 2 | Fitting-Grease | 27 | 127-1078 | 1 | Tread-Floor Board |
| 12 | 3231-21 | 2 | Screw-CARR | 28 | 127-1077 | 1 | Tread-Floor Board |
| 13 | 3234-11 | 8 | Screw-HHF | 29 | 127-1080 | 1 | Tread-Floor Board |
| 14 | 68-9400 | 4 | Nut-Flange | 30 | 127-1079 | 1 | Tread-Floor Board |
| | | | | 33 | 3296-59 | 2 | Nut-Lock, NI |

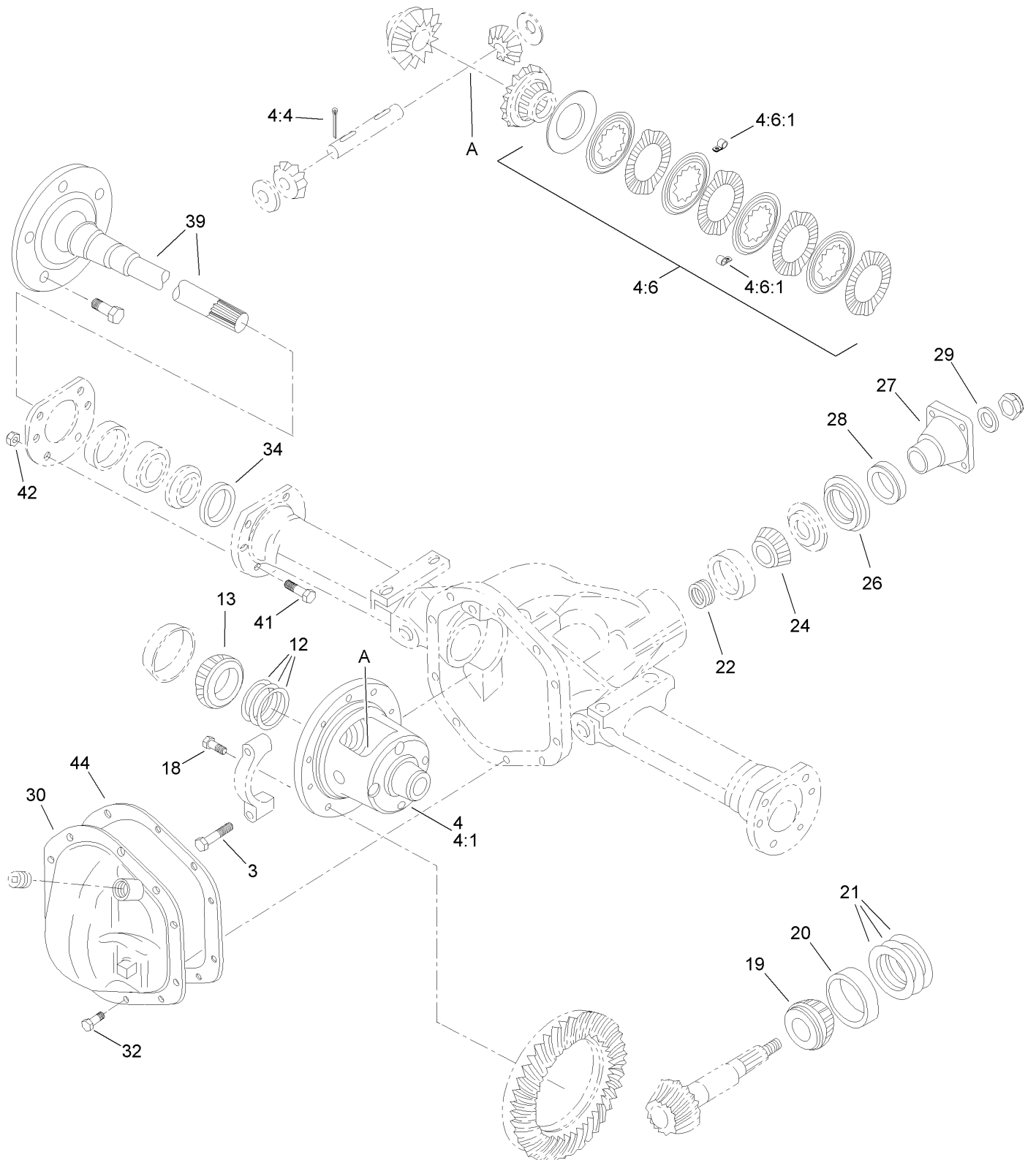
Transmission and Drive Axle Assembly



Transmission and Drive Axle Assembly (continued)

| <i>Ref.</i> | <i>Part Number</i> | <i>Qty.</i> | <i>Description</i> | <i>Ref.</i> | <i>Part Number</i> | <i>Qty.</i> | <i>Description</i> |
|-------------|--------------------|-------------|--------------------|-------------|--------------------|-------------|---------------------|
| 1 | AU110858A1-03 | 2 | Drive Axle ASM | 13 | AU87403381 | 1 | Flange-Companion |
| 2 | 127-1093-03 | 1 | Bracket-Mounting | 14 | 3211-5 | 4 | Screw-HH |
| 3 | 97-1206 | 4 | Locknut | 15 | AU232-4616 | 4 | Nut-Hex |
| 4 | AU131-918 | 20 | Nut | 16 | 325-7 | 4 | Screw-HH |
| 5 | AU896-11014 | 8 | Washer-Flat | 17 | 3253-7 | 4 | Washer-Lock |
| 6 | AU426-928 | 8 | Bolt | 18 | AU131687A1 | 1 | Yoke-Transmission |
| 7 | AU79-1612 | 4 | Screw-12 Pt Flange | 19 | AUH183566 | 1 | Bolt-U (2 Per Pack) |
| 8 | AU104951 | 1 | Transmission ASM | 19:1 | 3219-2 | 2 | Nut-Hex |
| 9 | AU238-5036 | 1 | O-Ring, Sae | 19:2 | 3253-4 | 2 | Washer-Lock |
| 10 | 325-5 | 4 | Screw-HH | 20 | AUH274894 | 12 | Washer |
| 11 | AU111086A1 | 1 | Drive Shaft ASM | 21 | 127-1094-03 | 7 | Shim-Bracket |
| 12 | AU232-4119 | 8 | Nut | | | | |

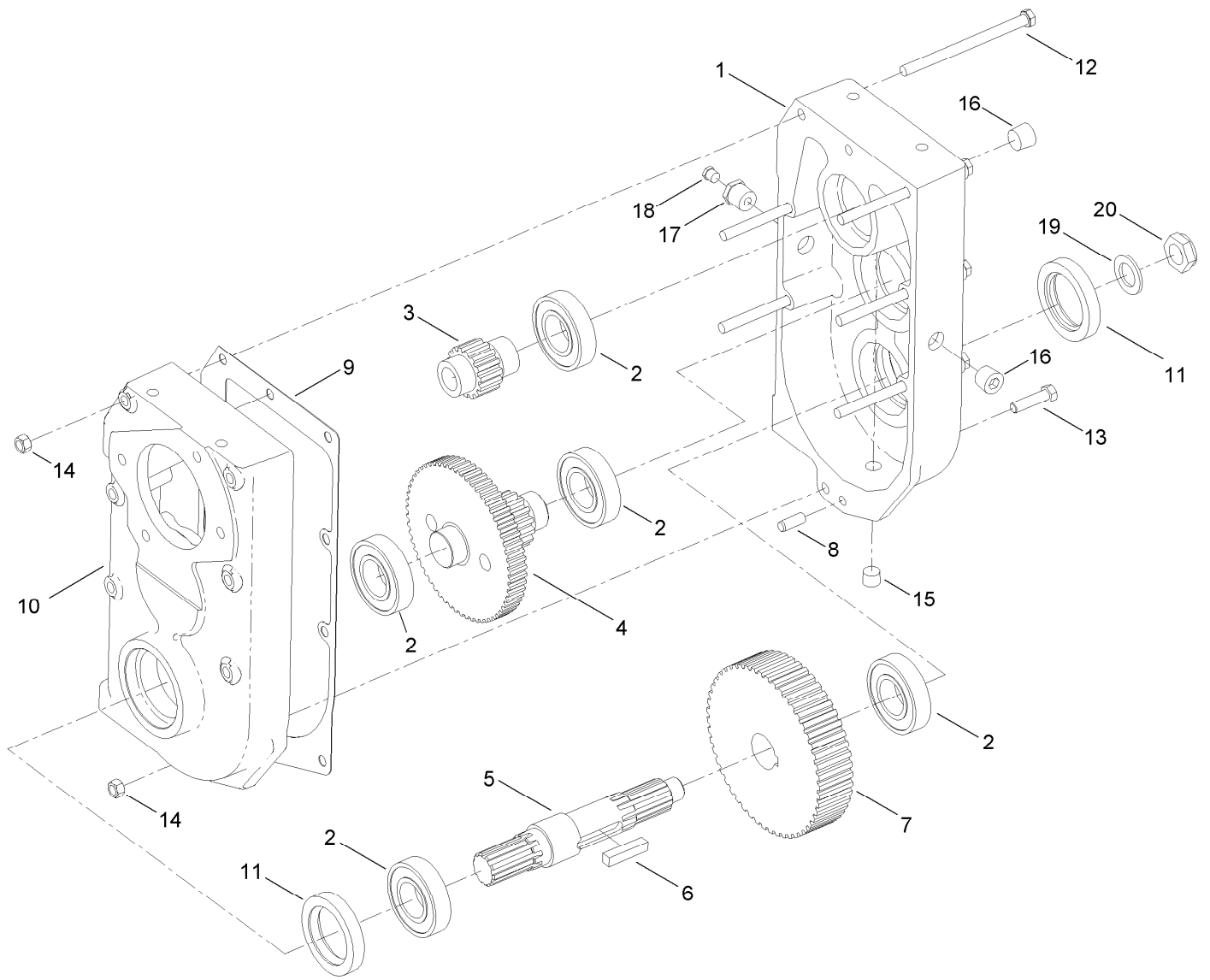
Drive Axle Assembly No. AU110858A1-03



Drive Axle Assembly No. AU110858A1-03 (continued)

| <i>Ref.</i> | <i>Part Number</i> | <i>Qty.</i> | <i>Description</i> | <i>Ref.</i> | <i>Part Number</i> | <i>Qty.</i> | <i>Description</i> |
|-------------|--------------------|-------------|--|-------------|--------------------|-------------|--------------------|
| 3 | AU413-836 | 4 | Bolt | 21 | AUH198176 | 1 | Shim |
| 4 | AU100862A1 | 1 | Case ASM | 22 | AUH198044 | 1 | Shim |
| 4:1 | AU100863A1 | 1 | Case | 22 | AUH198010 | 1 | Shim |
| 4:4 | AU38-11624 | 1 | Pin-Spring, Slotted | 22 | AUH198036 | 1 | Shim |
| 4:5 | AUH226746 | 2 | Washer ● | 22 | AUH198028 | 1 | Shim |
| 4:6 | AUH572370 | 1 | Differential Disc Kit (Matched Set) | 24 | AU128239R91 | 1 | Bearing-Taper |
| 4:6:1 | AUH226753 | 4 | Clip | 26 | AUN8427 | 1 | Seal |
| 12 | AUH198283 | 1 | Shim | 27 | AUH197582 | 1 | End-Yoke |
| 12 | AUH198275 | 1 | Shim | 28 | AUH196998 | 1 | Slinger |
| 12 | AUH198267 | 1 | Shim | 29 | AUH197574 | 1 | Washer |
| 12 | AUH198259 | 1 | Shim | 30 | AUN8428 | 1 | Cover |
| 13 | AU300426R91 | 2 | Bearing-Taper | 32 | AUH226555 | 10 | Bolt |
| 18 | AU117383A1 | 10 | Bolt | 34 | AUH198093 | 2 | Seal |
| 19 | AU128241R91 | 1 | Bearing-Taper | 39 | AU252266A1 | 2 | Shaft |
| 20 | AU128242R1 | 1 | Cup-Bearing | 41 | AUH263103 | 8 | Bolt |
| 21 | AUH198150 | 1 | Shim | 42 | AU232-4616 | 8 | Nut-Hex |
| 21 | AUH198168 | 1 | Shim | 43 | AUH384453 | 1 | Baffle-Oil ● |
| | | | | 44 | AUM20704 | 1 | Maker-Gasket |

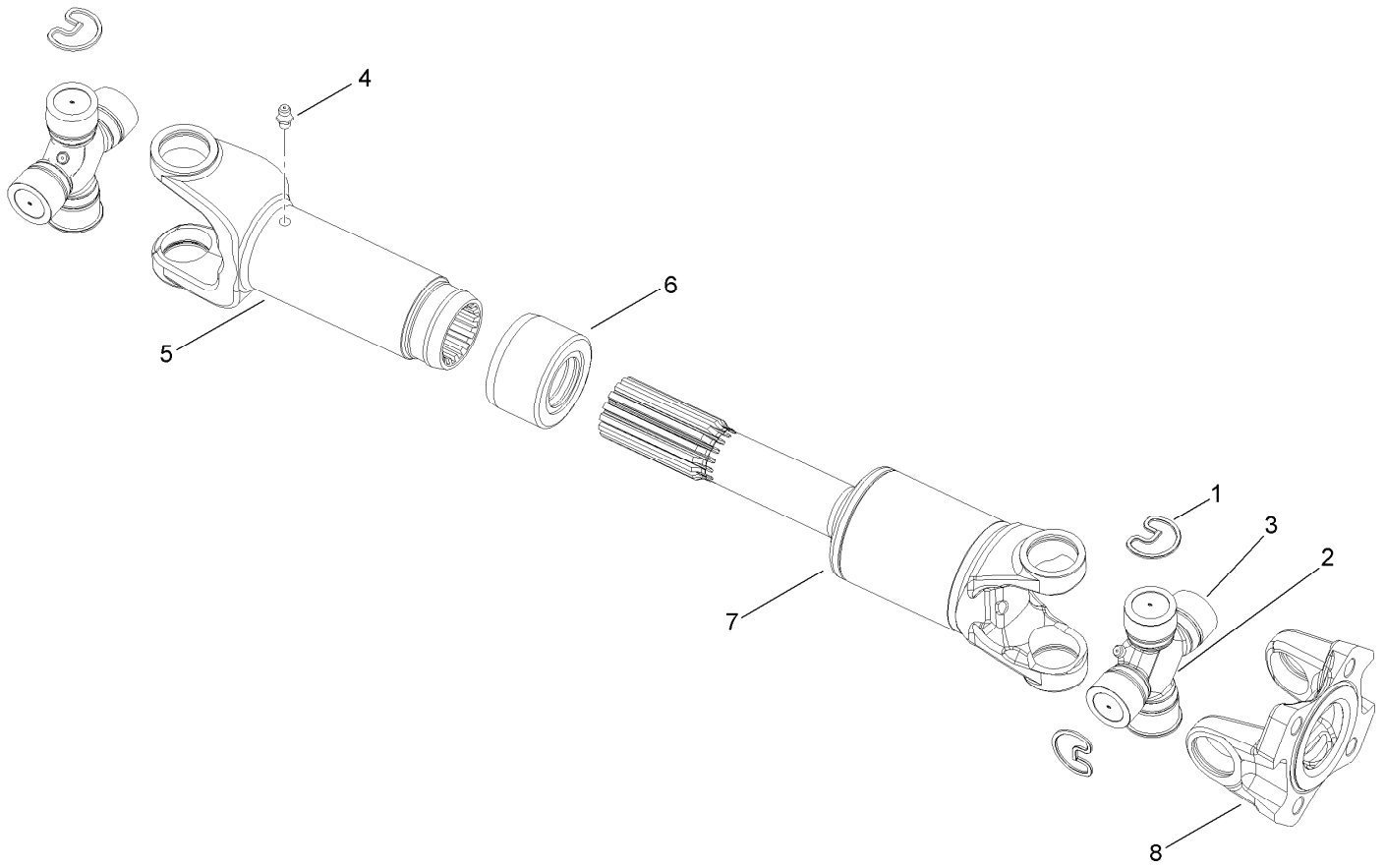
● Not illustrated



Transmission Assembly No. AU104951

| Ref. | Part Number | Qty. | Description |
|------|-------------|------|---------------------------|
| 1 | AU104545 | 1 | Case-Gear |
| 2 | AUA26581 | 5 | Bearing |
| 3 | AUH253112 | 1 | Gear-Motor, 18 Teeth |
| 4 | AUH253153 | 1 | Gear-Cluster, 59/15 Teeth |
| 5 | AUH253138 | 1 | Shaft-Output |
| 6 | AUH70045 | 1 | Key-Square |
| 7 | AUH253146 | 1 | Gear-Reduction, 51 Teeth |
| 8 | AUH755272 | 2 | Pin-Dowel |
| 9 | AUH413153 | 1 | Gasket |
| 10 | AU104546 | 1 | Case-Gear |

| Ref. | Part Number | Qty. | Description |
|------|-------------|------|-----------------------|
| 11 | AUH754226 | 2 | Seal-Oil |
| 12 | AU426-688 | 6 | Screw-HH |
| 13 | 323-43 | 1 | Screw-HH |
| 14 | 603773 | 7 | Nut |
| 15 | 97-2206 | 1 | Fitting-HYD |
| 16 | AU217-439 | 5 | Plug-Hex Socket, Pipe |
| 17 | AU221-87 | 1 | Fitting-Straight |
| 18 | AUR11152 | 1 | Vent |
| 19 | AUH224501 | 1 | Washer |
| 20 | 3296-60 | 1 | Nut-Lock, NI |

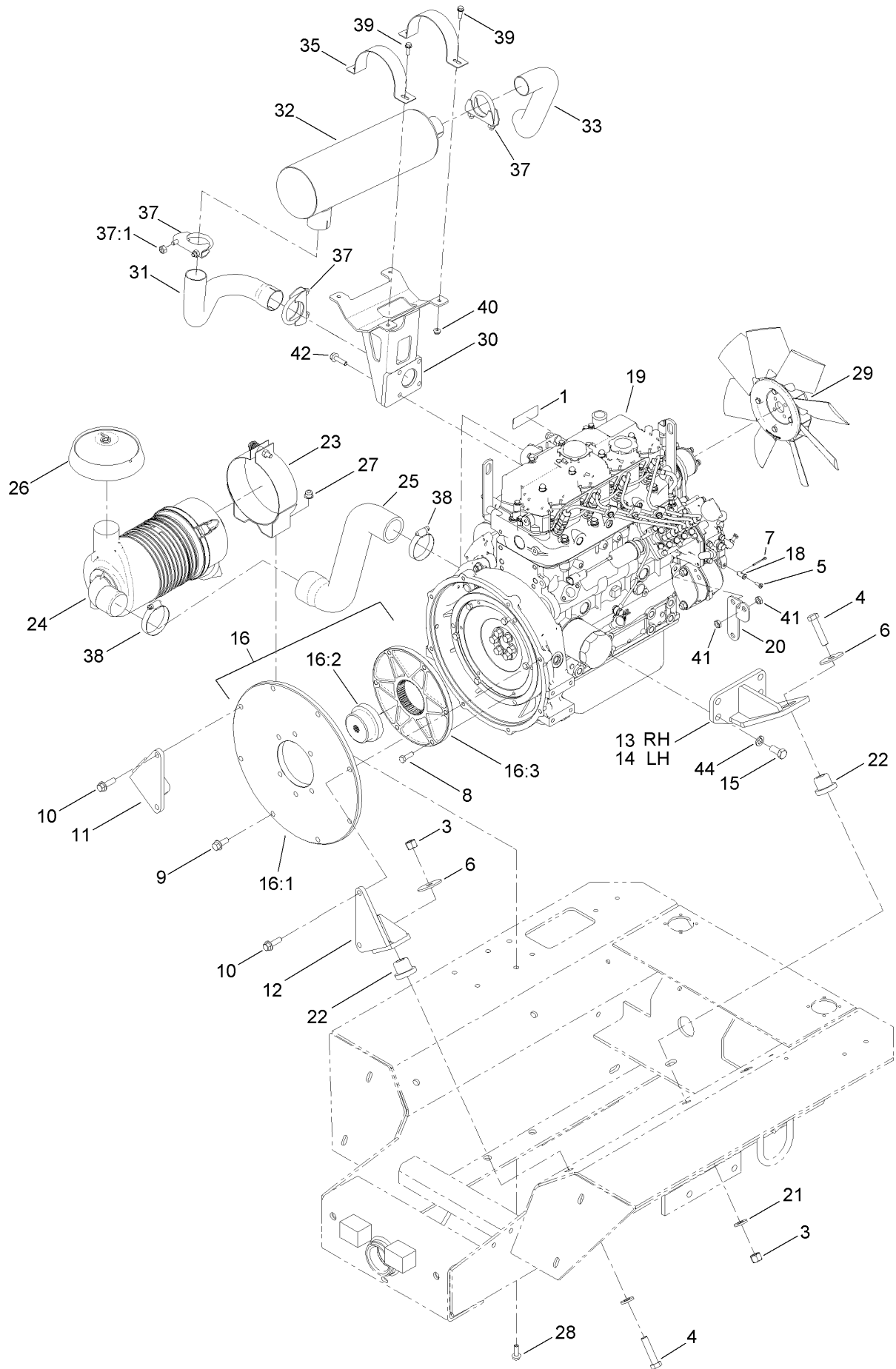


Drive Shaft Assembly No. AU111086A1

| <i>Ref.</i> | <i>Part Number</i> | <i>Qty.</i> | <i>Description</i> |
|-------------|--------------------|-------------|--------------------|
| 1 | AU11256 | 6 | Ring-Retaining |
| 2 | | 2 | Journal ● |
| 3 | | 8 | Cup-Bearing ● |
| 4 | AU219-10 | 1 | Fitting-Lube |
| 5 | AU102834A1 | 1 | Yoke |
| 6 | AU230556A1 | 1 | Seal |
| 7 | | 1 | Shaft ● |
| 8 | AUH251777 | 1 | Flange |

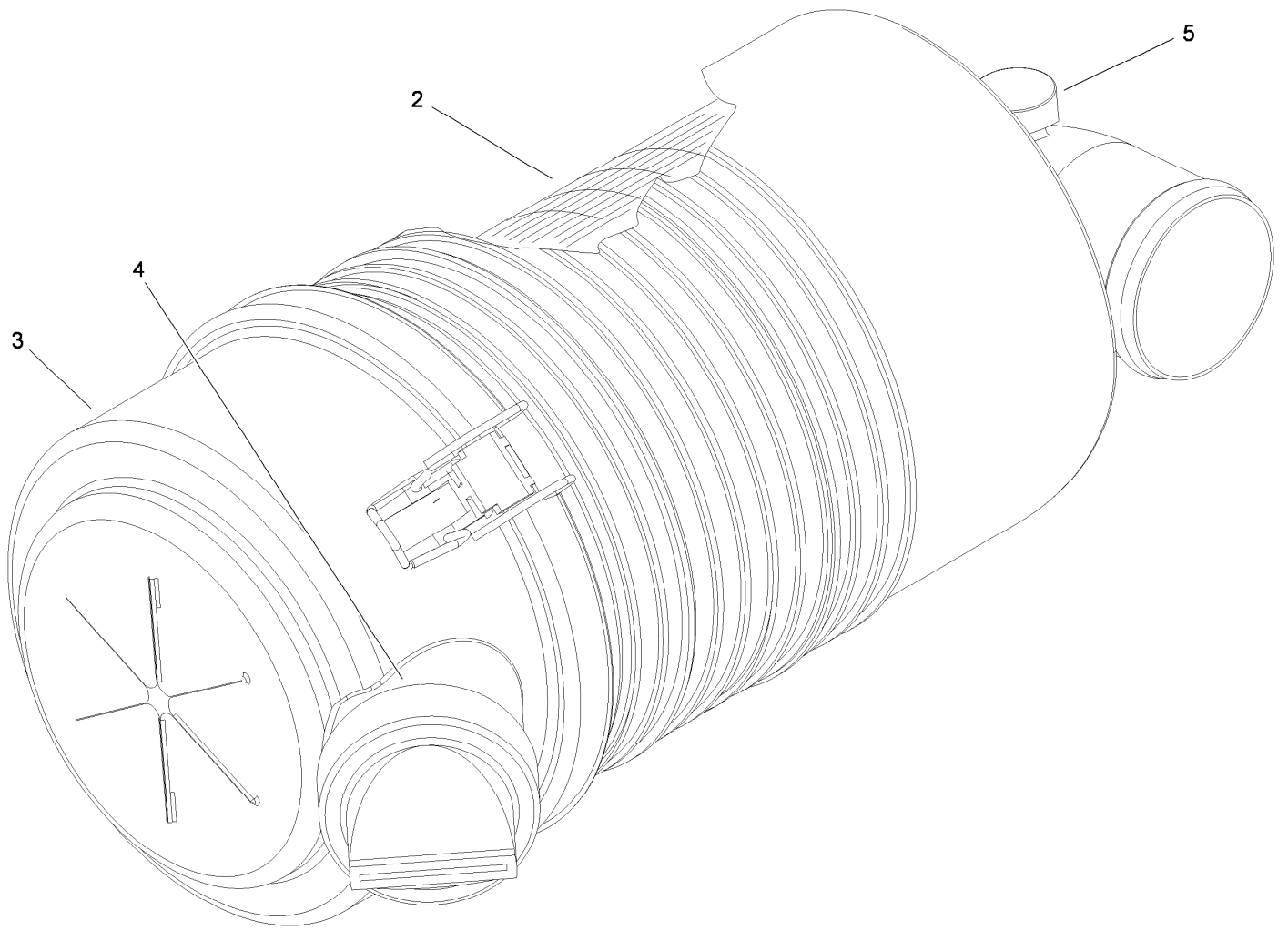
● Not serviced separately

Engine, Air Cleaner and Exhaust Assembly



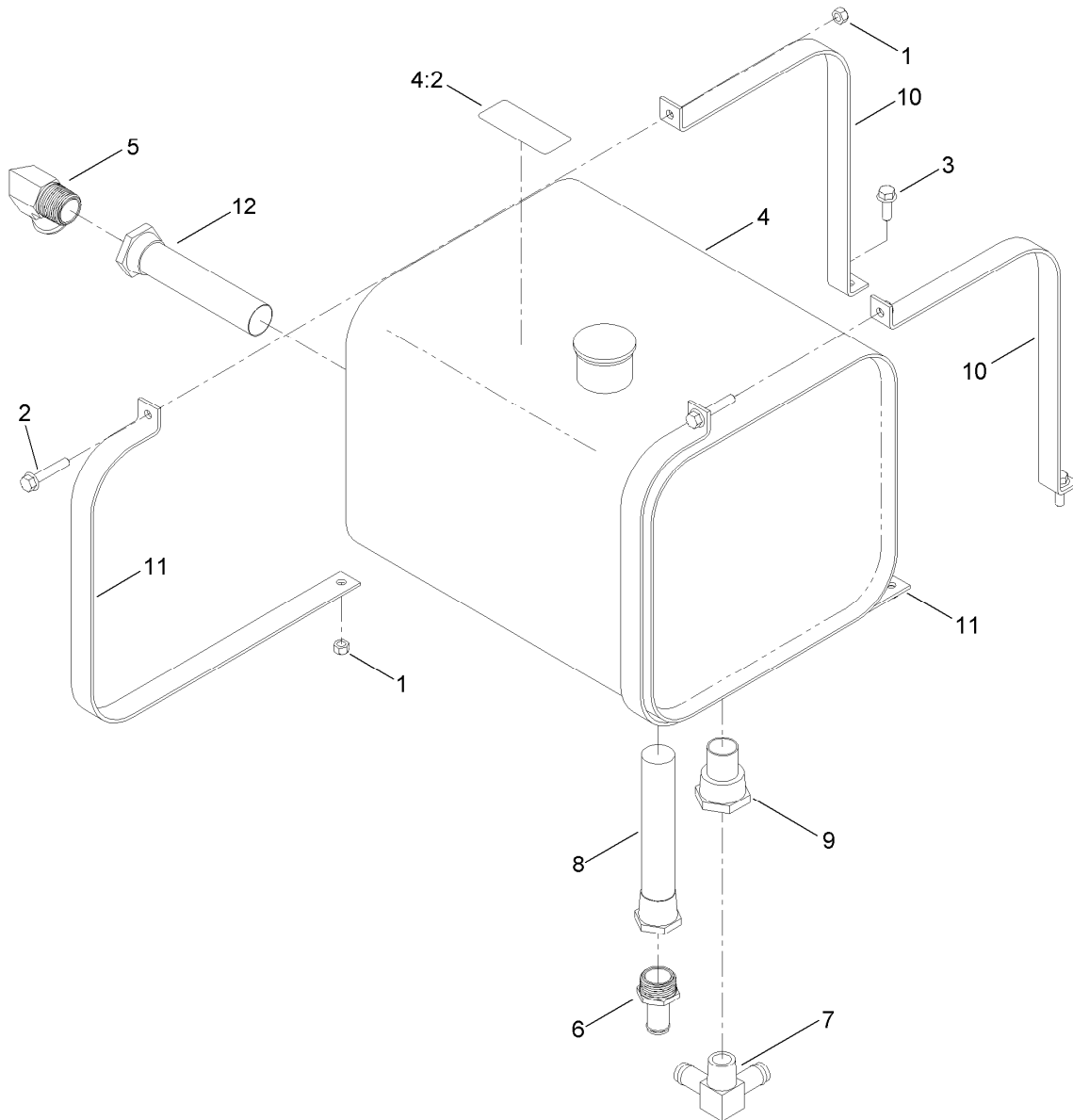
Engine, Air Cleaner and Exhaust Assembly (continued)

| <i>Ref.</i> | <i>Part Number</i> | <i>Qty.</i> | <i>Description</i> | <i>Ref.</i> | <i>Part Number</i> | <i>Qty.</i> | <i>Description</i> |
|-------------|--------------------|-------------|-----------------------------|-------------|--------------------|-------------|------------------------|
| 1 | 125-6688 | 1 | Decal-Danger, Starter Fluid | 22 | AUH426395 | 4 | Mount-Rubber |
| 3 | AU232-4118 | 4 | Nut-Hex | 23 | AU104649 | 1 | Band-Air Cleaner |
| 4 | 325-9 | 4 | Screw-HH | 24 | 106-5277 | 1 | Air Cleaner ASM |
| 5 | 3250-31 | 1 | Screw-PPH | 25 | 125-6605 | 1 | Hose-Air Inlet |
| 6 | AU496-81018 | 4 | Washer-Flat | 26 | AU104635 | 1 | Hood-Rain |
| 7 | 3272-7 | 1 | Pin-Cotter | 27 | AU100526 | 2 | Nut-Torque, Prevailing |
| 8 | AU426-516 | 6 | Screw-HH | 28 | AU100873 | 2 | Screw-HH |
| 9 | 3234-11 | 4 | Screw-HHF | 29 | AU125618 | 1 | Fan |
| 10 | 119-4061 | 4 | Screw-HHF | 30 | 125-6616 | 1 | Support-Muffler |
| 11 | AU104923-03 | 1 | Mount-Engine, Left Rear | 31 | 125-6611 | 1 | Tube-Exhaust |
| 12 | AU104924-03 | 1 | Mount-Motor, RH | 32 | AU106006 | 1 | Muffler-Exhaust |
| 13 | AU125520-03 | 1 | Mount-Engine, Front (RH) | 33 | 125-6612 | 1 | Tube-Exhaust |
| 14 | AU125521-03 | 1 | Mount-Engine, Frame (LH) | 35 | 125-6613 | 2 | Bracket-Muffler |
| 15 | AU514-842 | 8 | Screw-HH | 37 | 2112-6 | 3 | Clamp-Muffler |
| 16 | AU125558 | 1 | Pump Drive Coupler Kit | 37:1 | 3218-2 | 2 | Nut-Jam |
| 16:1 | AU105006 | 1 | Plate-Mounting, Pump | 38 | 2412-130 | 2 | Clamp-Hose |
| 16:2 | AU105005 | 1 | Hub-9T | 39 | 117-8304 | 4 | Screw-HHF |
| 16:3 | AU125557 | 1 | Flange-Flywheel | 40 | 104-7201 | 4 | Nut-HF |
| 18 | AU126701 | 1 | Pin-Throttle | 41 | 3220-3 | 2 | Nut-HJ |
| 19 | AU129101 | 1 | Engine-Tier 4I | 42 | 33104-030 | 4 | Screw-HHF |
| 20 | AU130183-03 | 1 | Bracket-Cable, Throttle | 44 | 48-8070 | 8 | Washer-Lock |
| 21 | AUH274894 | 4 | Washer | | | | |



Air Cleaner Assembly No. 106-5277

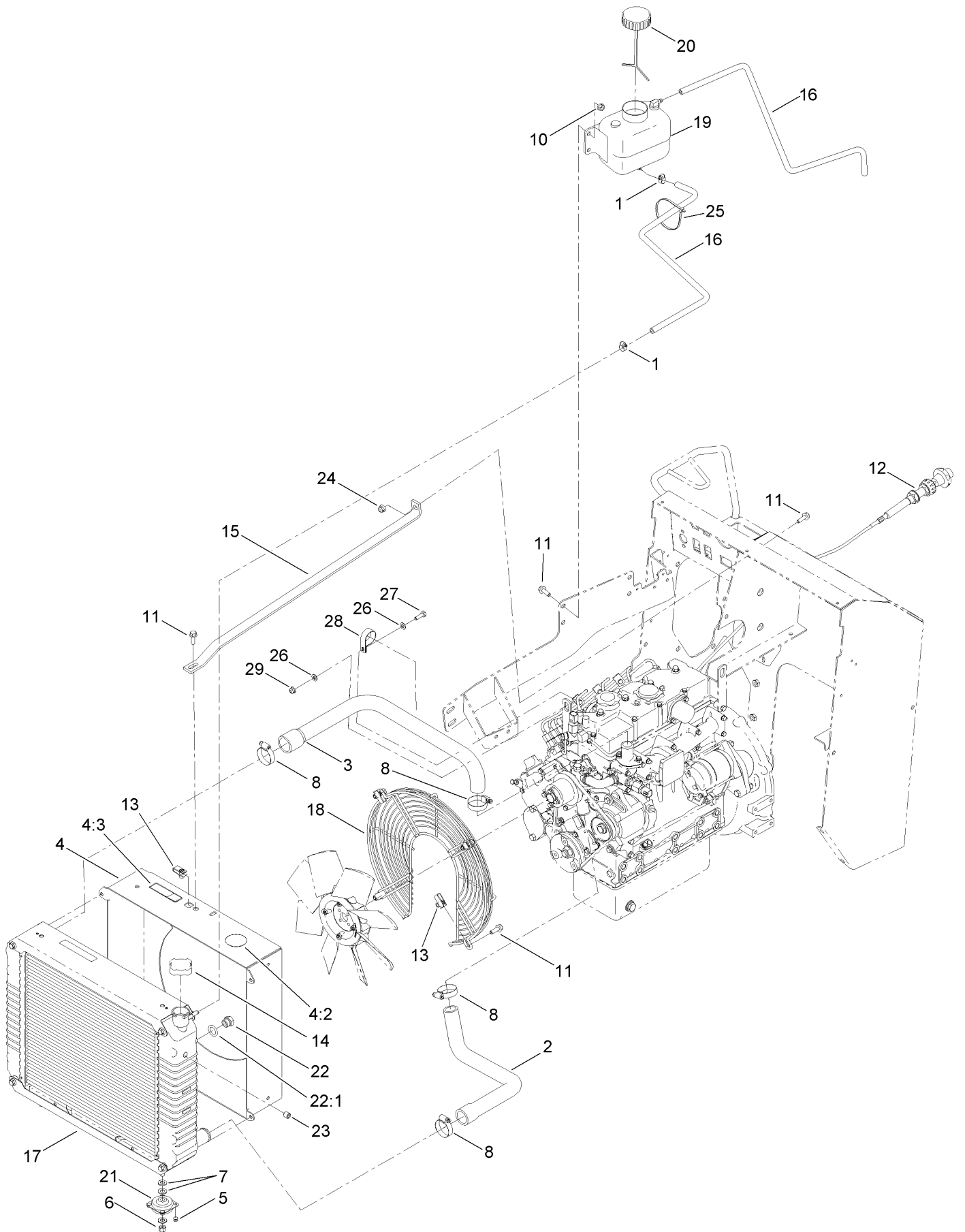
| <i>Ref.</i> | <i>Part Number</i> | <i>Qty.</i> | <i>Description</i> |
|-------------|--------------------|-------------|--------------------|
| 2 | 108-3810 | 1 | Filter-Air |
| 3 | 98-9771 | 1 | Cover ASM |
| 4 | 87-9400 | 1 | Valve-Vacuator |
| 5 | 285-17 | 1 | Plug-Pipe |



Hydraulic Reservoir Assembly

| <i>Ref.</i> | <i>Part Number</i> | <i>Qty.</i> | <i>Description</i> |
|-------------|--------------------|-------------|------------------------|
| 1 | 33024-00 | 4 | Nut-Lock, NI |
| 2 | 33104-045 | 2 | Screw-HHF |
| 3 | 33104-025 | 2 | Screw-HHF |
| 4 | 127-1097 | 1 | Tank-Hydraulic W/Decal |
| 4:2 | 125-8483 | 1 | Decal-HYD Fluid |
| 5 | AU217-166 | 1 | Fitting-Elbow, 90 |
| 6 | AU217-384 | 1 | Fitting-Straight |
| 7 | AUD64786 | 1 | Fitting-Elbow, Lateral |
| 8 | AUH151399 | 1 | Filter ASM |
| 9 | AUH428193 | 1 | Inducer-Pressure |
| 10 | AUH435811-03 | 2 | Strap-Tank |
| 11 | AUH435847-03 | 2 | Strap-Tank |
| 12 | AUH584631 | 1 | Filter ASM |

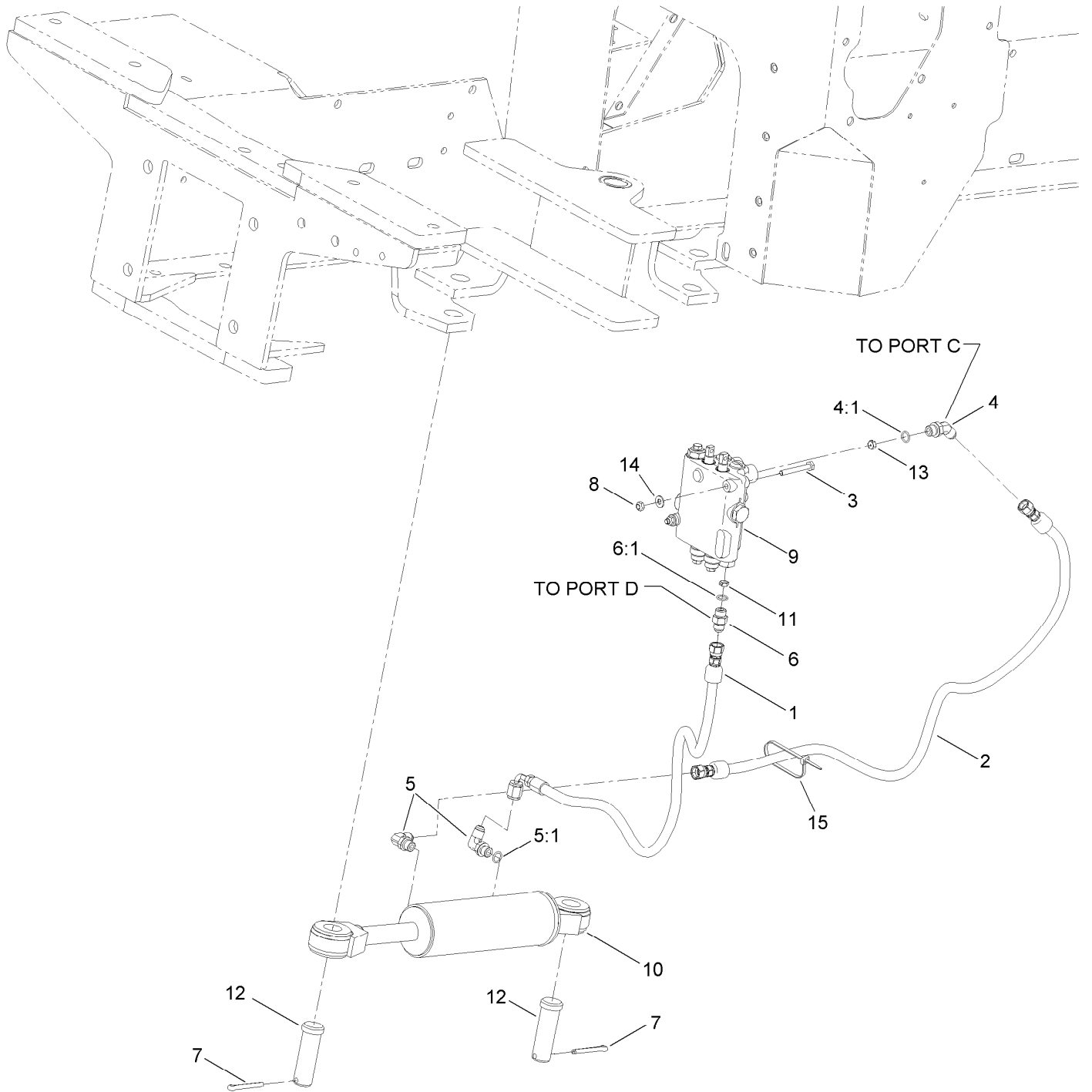
Radiator Assembly



Radiator Assembly (continued)

| <i>Ref.</i> | <i>Part Number</i> | <i>Qty.</i> | <i>Description</i> | <i>Ref.</i> | <i>Part Number</i> | <i>Qty.</i> | <i>Description</i> |
|-------------|--------------------|-------------|-----------------------|-------------|--------------------|-------------|------------------------|
| 1 | 2412-108 | 2 | Clamp-Worm | 16 | 127-0762 | 2 | Hose-Coolant, Overflow |
| 2 | 125-6606 | 1 | Hose-Radiator, Lower | 17 | AU125546 | 1 | Radiator |
| 3 | 125-6607 | 1 | Hose-Radiator, Upper | 18 | AU125574 | 1 | Guard-Finger |
| 4 | 127-1029 | 1 | Fan Shroud ASM | 19 | AU138189A1 | 1 | Tank-Recovery, Coolant |
| 4:2 | 117-3276 | 1 | Decal-Danger | 20 | 87-7050 | 1 | Cap-Reservoir |
| 4:3 | 120-0627 | 1 | Decal-Warning | 21 | AUH433370 | 2 | Mount-Radiator |
| 5 | AU151-539 | 8 | Rivet | 22 | AU218-5156 | 2 | Plug-Hex HD |
| 6 | AU232-4116 | 2 | Nut-Hex | 22:1 | 237-79 | 1 | O-Ring |
| 7 | AU496-21041 | 6 | Washer-Flat | 23 | 99-8551 | 1 | Plug-Pipe |
| 8 | 2412-111 | 4 | Clamp | 24 | 104-3082 | 1 | Nut-Lock, HHF |
| 10 | 33004-00 | 4 | Nut-HF | 25 | 3290-378 | 1 | Tie-Cable |
| 11 | 33104-025 | 10 | Screw-HHF | 26 | 3256-3 | 2 | Washer-Flat |
| 12 | AU112937A1 | 1 | Cable-Throttle | 27 | 322-5 | 1 | Screw-HH |
| 13 | AU100862 | 5 | Nut-U | 28 | 2412-74 | 1 | R-Clamp |
| 14 | AU105197 | 1 | Cap-Radiator, 13 Psi | 29 | 104-8300 | 1 | Nut-Flange, NI |
| 15 | AU107293-03 | 1 | Bar-Support, Radiator | | | | |

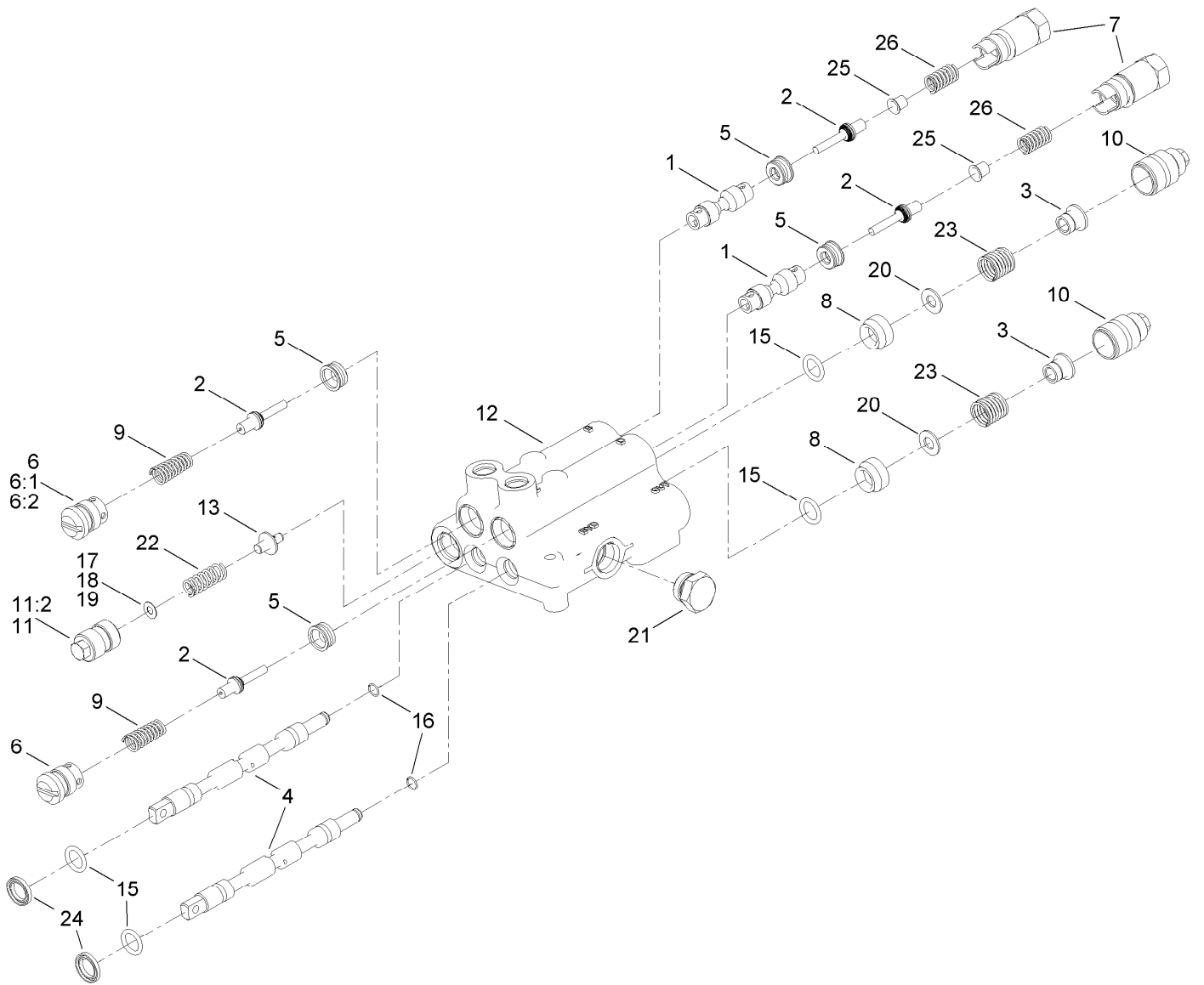
Hydraulic Steering Valve, Cylinder and Hose Assembly



Hydraulic Steering Valve, Cylinder and Hose Assembly (continued)

| <i>Ref.</i> | <i>Part Number</i> | <i>Qty.</i> | <i>Description</i> | <i>Ref.</i> | <i>Part Number</i> | <i>Qty.</i> | <i>Description</i> |
|-------------|--------------------|-------------|-----------------------|-------------|--------------------|-------------|------------------------|
| 1 | 127-1001 | 1 | Hose ASM | 7 | AU432-1628 | 2 | Pin-Cotter |
| 2 | 127-1002 | 1 | Hose ASM | 8 | 146375 | 2 | Nut-Lock, Cone |
| 3 | 321-11 | 2 | Screw-HH | 9 | AU407213A1 | 1 | HYD Steering Valve ASM |
| 4 | 353-212 | 1 | Fitting-Elbow, 45 DEG | 10 | AU125471 | 1 | HYD Cylinder ASM |
| 4:1 | 237-42 | 1 | O-Ring | 11 | AUH433173 | 1 | Plate-Orifice |
| 5 | 353-374 | 2 | Fitting-Elbow, 90 DEG | 12 | AUH67272 | 2 | Pin-Clevis |
| 5:1 | 237-42 | 1 | O-Ring | 13 | AUH746875 | 1 | Plate-Orifice |
| 6 | 353-384 | 1 | Fitting-Straight | 14 | AUH426767 | 2 | Washer-Flat |
| 6:1 | 237-42 | 1 | O-Ring | 15 | 3334-945 | 1 | Tie-Cable |

Hydraulic Steering Valve Assembly No. AU407213A1

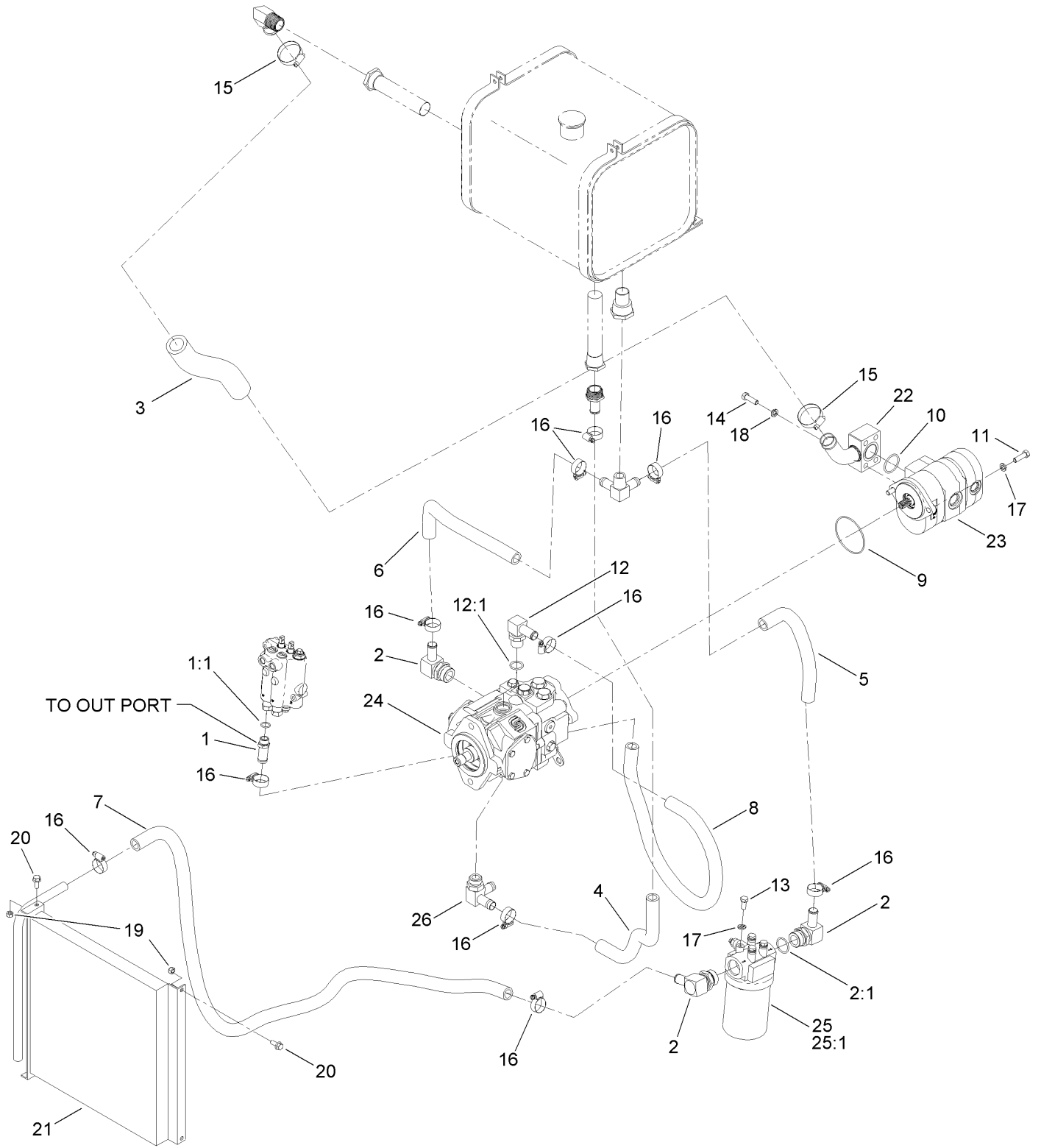


Hydraulic Steering Valve Assembly No. AU407213A1 (continued)

| <i>Ref.</i> | <i>Part Number</i> | <i>Qty.</i> | <i>Description</i> | <i>Ref.</i> | <i>Part Number</i> | <i>Qty.</i> | <i>Description</i> |
|-------------|--------------------|-------------|--------------------|-------------|--------------------|-------------|--------------------|
| 1 | 127-6238 | 2 | Plunger | 12 | | 1 | Body ● |
| 2 | 58-6290 | 4 | Poppet | 13 | 92-2568 | 1 | Poppet |
| 3 | 127-6237 | 2 | Spacer | 15 | 58-6450 | 4 | O-Ring |
| 4 | 106-6750 | 2 | Spool | 16 | AUN9257 | 2 | Ring-Retaining |
| 5 | 117-9228 | 4 | Seat-Hardened | 17 | 58-6470 | 1 | Washer |
| 6 | 99-3526 | 2 | Plug ASM | 18 | 58-6480 | 1 | Washer |
| 6:1 | 60-5720 | 1 | O-Ring | 19 | 58-6490 | 1 | Washer |
| 6:2 | 59-7730 | 1 | Washer-Backup | 20 | 65-2770 | 2 | Washer |
| 7 | 58-6380 | 2 | Plug | 21 | 127-6239 | 1 | Plug ASM |
| 8 | 58-6400 | 2 | Bushing | 22 | 106-0267 | 1 | Spring |
| 9 | AUH364182 | 2 | *obs* Lock-Spring | 23 | 99-3531 | 2 | Spring |
| 10 | 58-6420 | 2 | Cap | 24 | 58-6320 | 2 | Wiper |
| 11 | 69-1830 | 1 | Plug ASM | 25 | 60-6440 | 2 | Eyelet |
| 11:2 | 58-6750 | 1 | O-Ring | 26 | 58-6410 | 2 | Spring |

● Not serviced separately

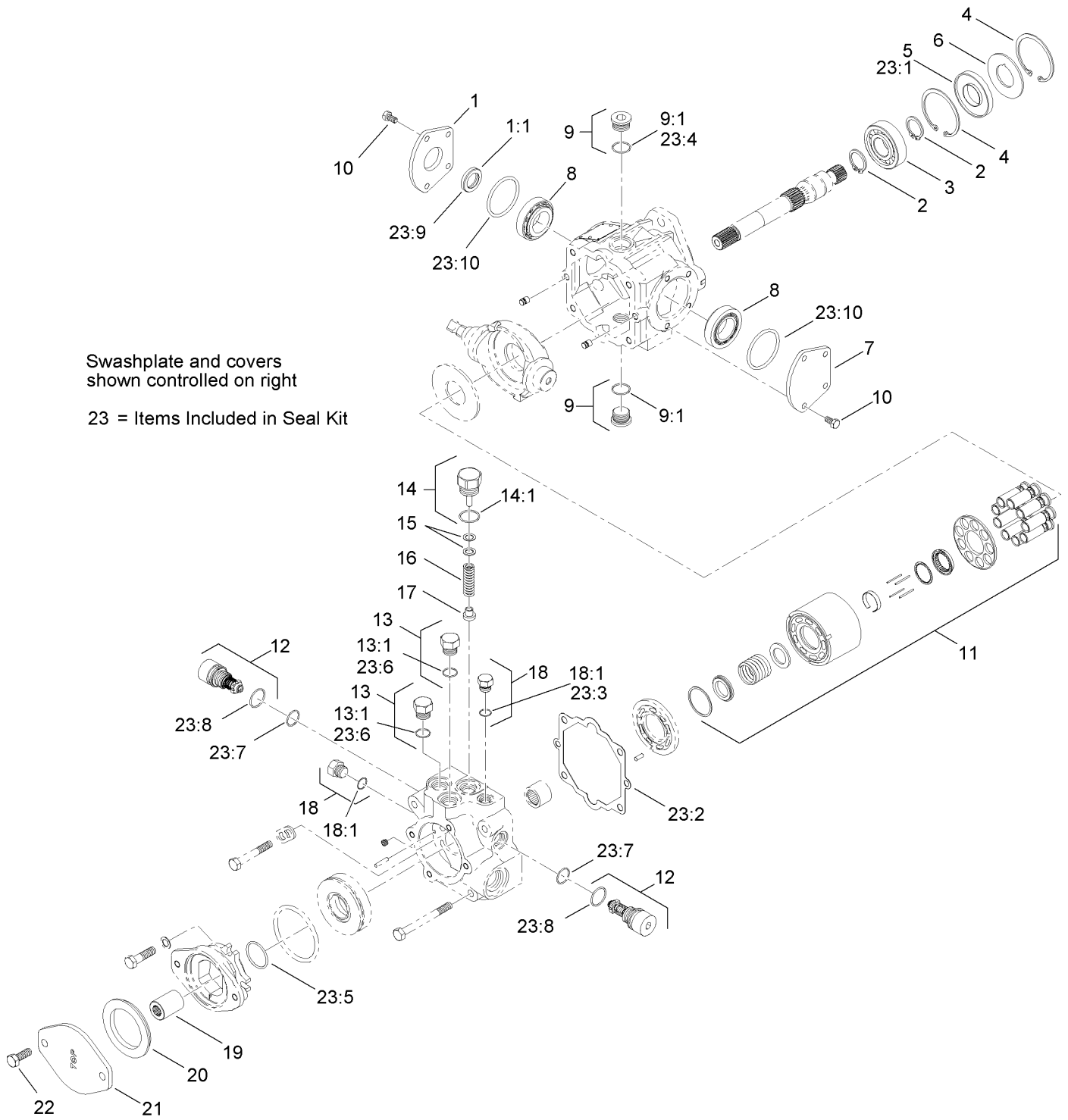
Variable Pump and Hose Assembly



Variable Pump and Hose Assembly (continued)

| <i>Ref.</i> | <i>Part Number</i> | <i>Qty.</i> | <i>Description</i> | <i>Ref.</i> | <i>Part Number</i> | <i>Qty.</i> | <i>Description</i> |
|-------------|--------------------|-------------|---------------------------------|-------------|--------------------|-------------|-----------------------|
| 1 | 83-1480 | 1 | Fitting-Straight | 13 | 323-4 | 3 | Screw-HH |
| 1:1 | 237-79 | 1 | O-Ring | 14 | 324-10 | 4 | Screw-HH |
| 2 | 98-0971 | 3 | Fitting-Elbow, 90 | 15 | 2412-3 | 2 | Clamp-Hose |
| 2:1 | 237-117 | 1 | O-Ring | 16 | 2412-129 | 10 | Clamp-Hose |
| 3 | 125-8543 | 1 | Hose-Suction | 17 | 3253-21 | 5 | Washer-Lock |
| 4 | 125-8544 | 1 | Hose-Return, PTO | 18 | 3253-6 | 4 | Washer-Lock |
| 5 | 125-8545 | 1 | Hose-HYD | 19 | 33024-00 | 4 | Nut-Lock, NI |
| 6 | 125-8546 | 1 | Hose-HYD | 20 | 33104-020 | 4 | Screw-HHF |
| 7 | 125-8547 | 1 | Hose-HYD | 21 | AU112963A1 | 1 | Cooler-Oil |
| 8 | 127-1005 | 1 | Hose | 22 | 127-6556 | 1 | Flange-Pump |
| 9 | AU238-5152 | 1 | O-Ring | 23 | 127-6550 | 1 | HYD Pump ASM (Double) |
| 10 | AU238-5222 | 1 | O-Ring | 24 | AU239918A1 | 1 | HYD Variable Pump ASM |
| 11 | 323-7 | 2 | Screw-HH | 25 | AUD121629 | 1 | Oil Filter ASM |
| 12 | 353-987 | 1 | Fitting-HYD, 90 DEG (Barbed) | 25:1 | 110-4146 | 1 | Filter-HYD |
| 12:1 | 237-81 | 1 | O-Ring | 26 | AUH339762 | 1 | Tee |

Hydraulic Variable Pump Assembly No. AU239918A1

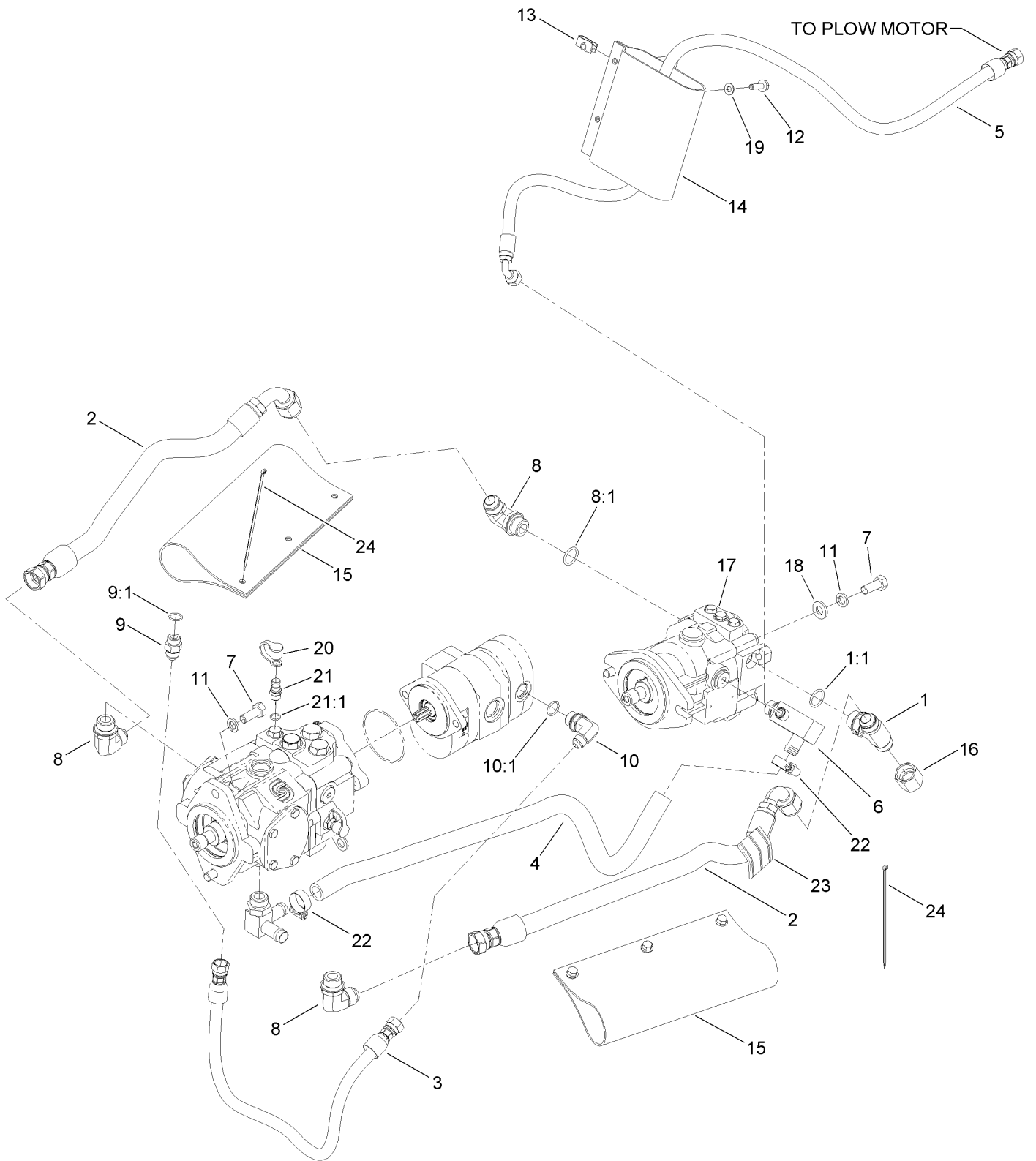


Hydraulic Variable Pump Assembly No. AU239918A1 (continued)

| <i>Ref.</i> | <i>Part Number</i> | <i>Qty.</i> | <i>Description</i> | <i>Ref.</i> | <i>Part Number</i> | <i>Qty.</i> | <i>Description</i> |
|-------------|--------------------|-------------|-----------------------|-------------|--------------------|-------------|-----------------------|
| 1 | 110-6499 | 1 | Trunnion Cover ASM | 16 | 110-6474 | 1 | Spring |
| 1:1 | 110-6478 | 1 | Seal-Lip | 17 | 84-0480 | 1 | Poppet-Relief, Charge |
| 2 | 69-3170 | 2 | Ring-Retaining | 18 | 94-9415 | 2 | Plug ASM |
| 3 | 75-0460 | 1 | Bearing-Ball | 18:1 | | 1 | O-Ring ● |
| 4 | 69-3200 | 2 | Ring-Retaining | 19 | 127-6226 | 1 | Coupling |
| 5 | 110-6471 | 1 | Seal-Lip | 20 | 107-4377 | 1 | Seal-A, Pad |
| 6 | 95-4400 | 1 | Washer-Backup | 21 | 107-4378 | 1 | Cover |
| 7 | 84-0440 | 1 | Cover-Trunnion | 22 | 69-3400 | 2 | Screw |
| 8 | 110-6483 | 2 | Bearing Kit | 23 | 910643 | 1 | Seal Kit |
| 9 | 69-3130 | 2 | Plug | 23:1 | | 1 | Seal-Lip ● |
| 9:1 | | 1 | O-Ring ● | 23:2 | | 1 | Gasket-End Cap ● |
| 10 | 112-0151 | 8 | Screw | 23:3 | | 2 | O-Ring ● |
| 11 | 127-6247 | 1 | Cylinder Block Kit | 23:4 | | 2 | O-Ring ● |
| 12 | 127-6228 | 2 | Valve-Solenoid, Check | 23:5 | | 1 | O-Ring ● |
| 13 | 88-8210 | 2 | Plug | 23:6 | | 2 | O-Ring ● |
| 13:1 | 237-80 | 1 | O-Ring | 23:7 | | 1 | O-Ring ● |
| 14 | 110-6486 | 1 | Plug-Relief, Charge | 23:8 | | 1 | R-Ring ● |
| 14:1 | 28-3570 | 1 | O-Ring | 23:9 | | 1 | Seal-Lip ● |
| 15 | 92-1353 | 1 | Shim Kit | 23:10 | | 2 | O-Ring ● |

● Not serviced separately

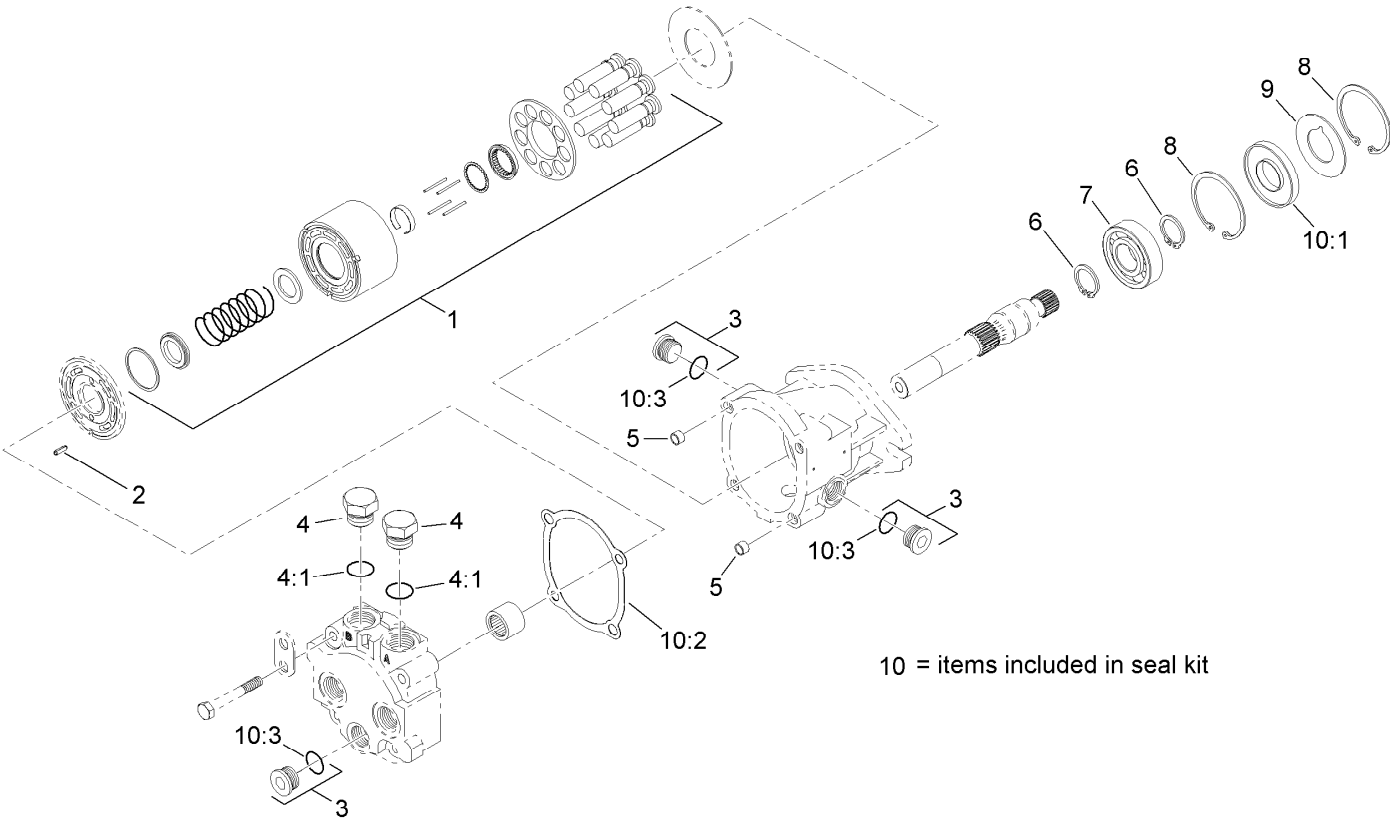
Hydraulic Motor and Hose Assembly



Hydraulic Motor and Hose Assembly (continued)

| <i>Ref.</i> | <i>Part Number</i> | <i>Qty.</i> | <i>Description</i> | <i>Ref.</i> | <i>Part Number</i> | <i>Qty.</i> | <i>Description</i> |
|-------------|--------------------|-------------|--------------------------|-------------|--------------------|-------------|-------------------------------------|
| 1 | 97-0939 | 1 | Fitting-Branch, Tee | 12 | 33104-025 | 2 | Screw-HHF |
| 1:1 | 237-81 | 1 | O-Ring | 13 | AU100862 | 2 | Nut-U |
| 2 | 125-8549 | 2 | Hose (Pump To Reg Valve) | 14 | AU107409 | 1 | Boot-Hose |
| 3 | 127-1003 | 1 | Hose ASM | 15 | AU123989A1 | 2 | Boot-Hose |
| 4 | 127-1005 | 1 | Hose | 16 | AU218-335 | 1 | Cap |
| 5 | 127-1021 | 1 | Hose ASM | 17 | AU239920A2 | 1 | Fixed Displacement HYD Motor ASM |
| 6 | 127-1023 | 1 | Fitting-90 DEG (Special) | 18 | AUH274894 | 2 | Washer |
| 7 | 325-5 | 4 | Screw-HH | 19 | 3256-23 | 2 | Washer-Flat |
| 8 | 353-369 | 3 | Fitting-Elbow, 90 DEG | 20 | 354-79 | 2 | Cap-Dust |
| 8:1 | 237-81 | 1 | O-Ring | 21 | 59-7410 | 2 | Fitting-Diagnostic |
| 9 | 353-388 | 1 | Fitting-Straight | 21:1 | 237-42 | 1 | O-Ring |
| 9:1 | 237-79 | 1 | O-Ring | 22 | 2412-129 | 2 | Clamp-Hose |
| 10 | 353-426 | 1 | Fitting-90 DEG | 23 | AU112950 | 2 | Protector-Hose, 4 Inch |
| 10:1 | 237-80 | 1 | O-Ring | 24 | 3334-945 | 6 | Tie-Cable |
| 11 | 3253-7 | 4 | Washer-Lock | | | | |

Hydraulic Piston Motor Assembly No. AU239920A2

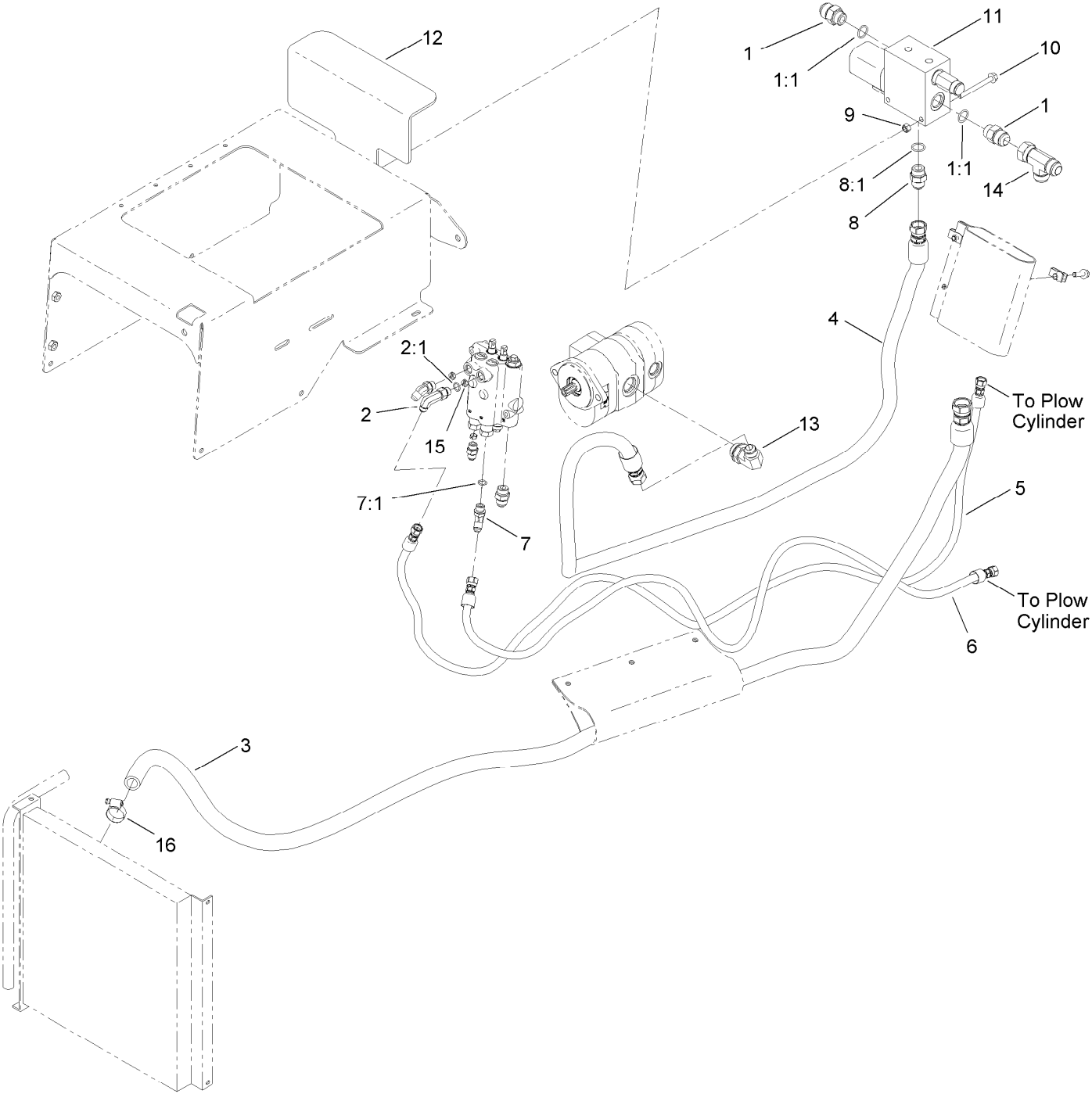


Hydraulic Piston Motor Assembly No. AU239920A2 (continued)

| <i>Ref.</i> | <i>Part Number</i> | <i>Qty.</i> | <i>Description</i> | <i>Ref.</i> | <i>Part Number</i> | <i>Qty.</i> | <i>Description</i> |
|-------------|--------------------|-------------|--------------------|-------------|--------------------|-------------|--------------------|
| 1 | 127-6247 | 1 | Cylinder Block Kit | 7 | 75-0460 | 1 | Bearing-Ball |
| 2 | 83-3880 | 1 | Pin-Spring | 8 | 69-3200 | 2 | Ring-Retaining |
| 3 | 92-5717 | 3 | Plug-Pipe | 9 | 95-4400 | 1 | Washer-Backup |
| 4 | 69-3130 | 2 | Plug | 10 | 127-6246 | 1 | Seal Kit |
| 4:1 | | 1 | O-Ring ● | 10:1 | 69-3190 | 1 | Seal-Lip |
| 5 | 69-3230 | 1 | Pin-Spring | 10:2 | | 1 | Gasket-Cap, End ● |
| 6 | 69-3170 | 2 | Ring-Retaining | 10:3 | | 3 | O-Ring ● |

● Not serviced separately

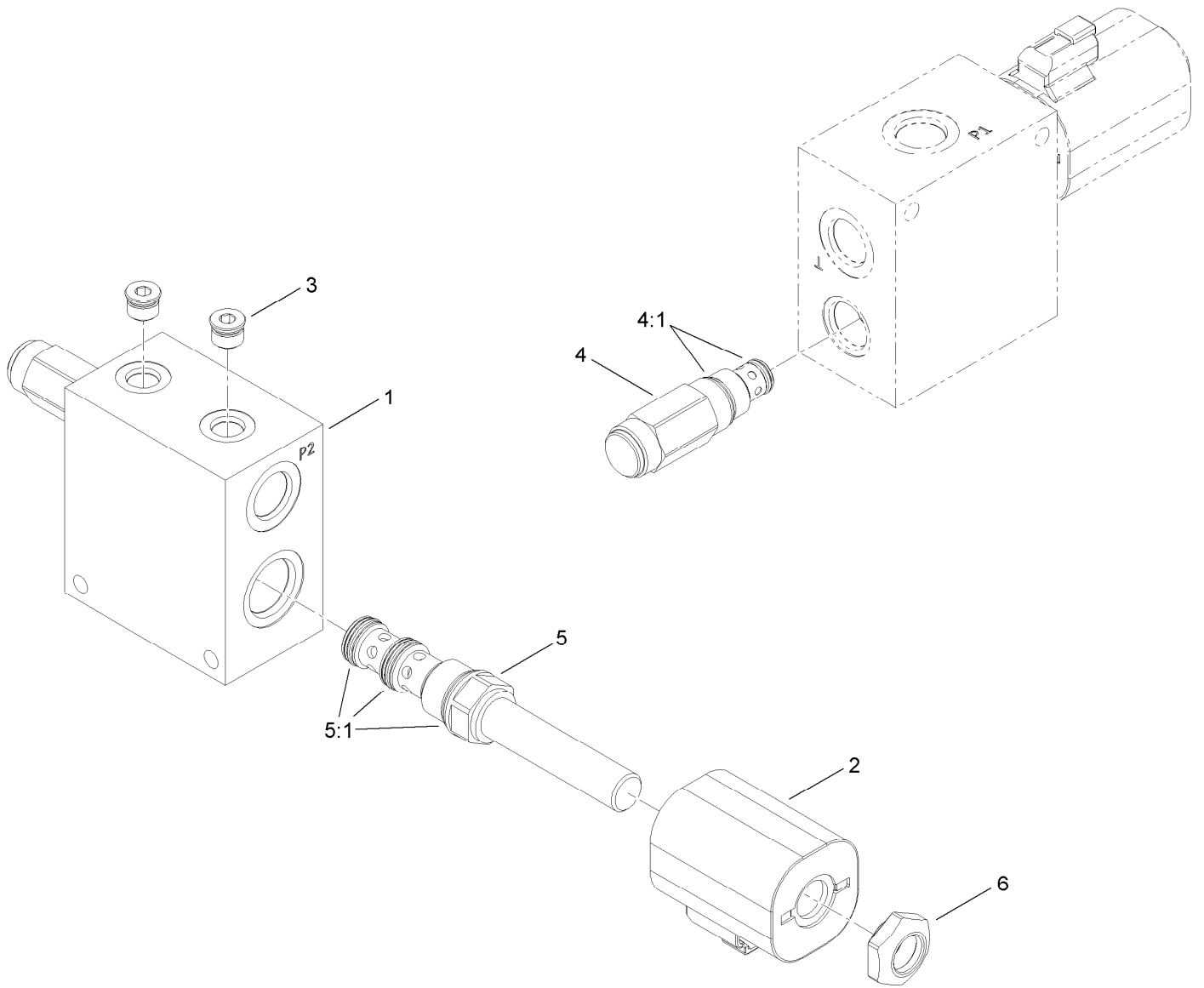
3 Way Plow and Hose Assembly



3 Way Plow and Hose Assembly (continued)

| <i>Ref.</i> | <i>Part Number</i> | <i>Qty.</i> | <i>Description</i> | <i>Ref.</i> | <i>Part Number</i> | <i>Qty.</i> | <i>Description</i> |
|-------------|--------------------|-------------|-------------------------|-------------|--------------------|-------------|--------------------------|
| 1 | 01-201-3290 | 2 | Fitting-Straight | 8 | 353-385 | 1 | Fitting-Straight |
| 1:1 | 237-80 | 1 | O-Ring | 8:1 | 237-80 | 1 | O-Ring |
| 2 | 92-3505 | 1 | Fitting-Adaptor, 90 DEG | 9 | 33024-00 | 2 | Nut-Lock, NI |
| 2:1 | 237-42 | 1 | O-Ring | 10 | 33104-080 | 2 | Screw-HHF |
| 3 | 125-8548 | 1 | Hose ASM | 11 | AU106887 | 1 | 3 Way HYD Plow Valve ASM |
| 4 | 127-1004 | 1 | Hose ASM | 12 | AU109048-01 | 1 | Plate-Heat Shield |
| 5 | 127-1008 | 1 | Hose ASM | 13 | AU218-5119 | 1 | Adaptor-Elbow, 90 DEG |
| 6 | 127-1022 | 1 | Hose ASM | 14 | AU218-5221 | 1 | Fitting-Tee |
| 7 | 353-212 | 1 | Fitting-Elbow, 45 DEG | 15 | AUH757815 | 1 | Orifice |
| 7:1 | 237-42 | 1 | O-Ring | 16 | 2412-129 | 1 | Clamp-Hose |

3 Way Hydraulic Plow Valve Assembly No. AU106887

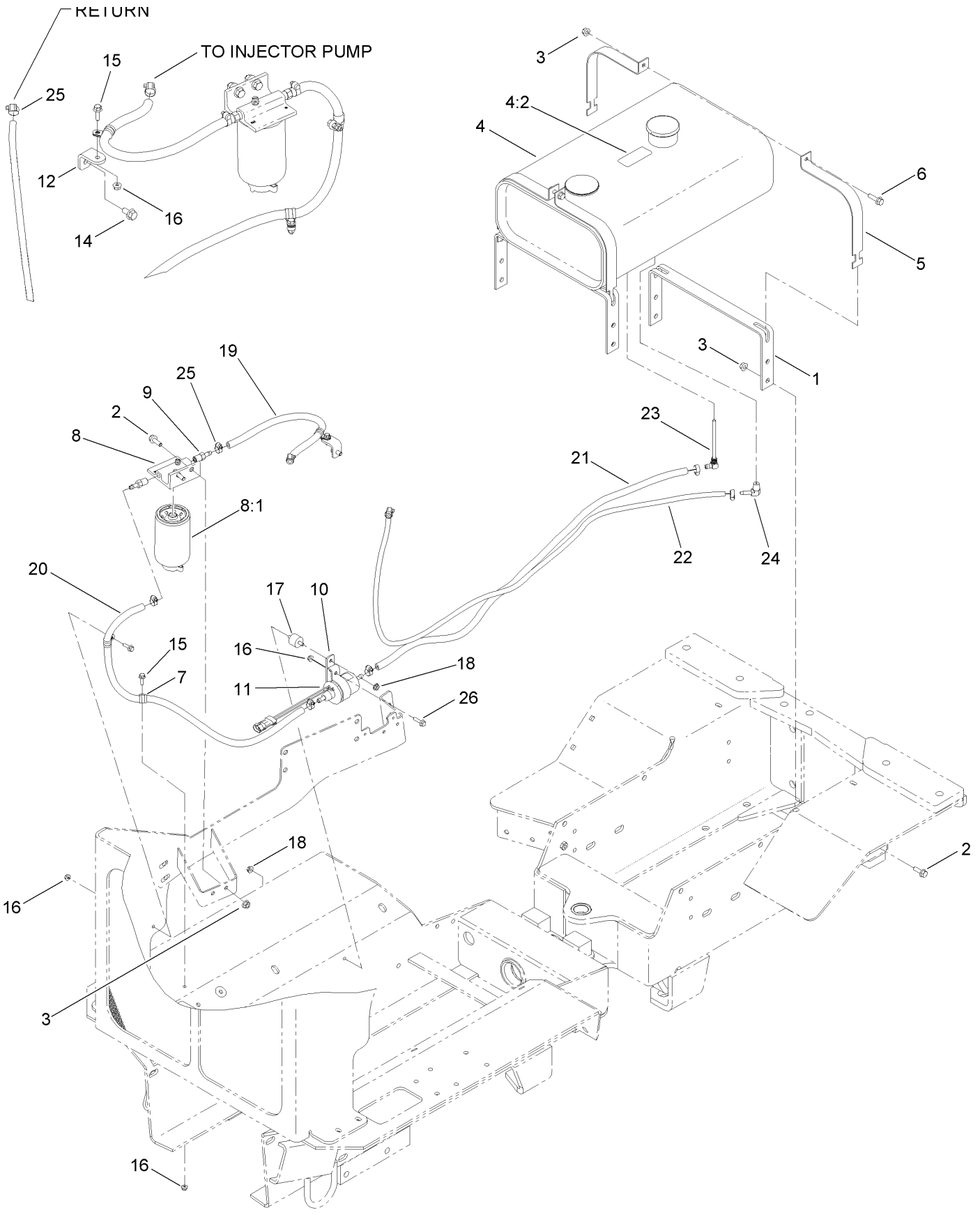


3 Way Hydraulic Plow Valve Assembly No. AU106887 (continued)

| <i>Ref.</i> | <i>Part Number</i> | <i>Qty.</i> | <i>Description</i> | <i>Ref.</i> | <i>Part Number</i> | <i>Qty.</i> | <i>Description</i> |
|-------------|--------------------|-------------|--------------------|-------------|--------------------|-------------|--------------------|
| 1 | | 1 | Block-Manifold ● | 4:1 | 110-6316 | 1 | Seal Kit |
| 2 | 127-6231 | 1 | E-Coil, 12V Dc | 5 | 127-6230 | 1 | Valve-Solenoid |
| 3 | | 2 | Plug ● | 5:1 | 114-5515 | 1 | Seal Kit |
| 4 | AU112607 | 1 | Valve-Relief | 6 | 127-6229 | 1 | Nut-Coil |

● Not serviced separately

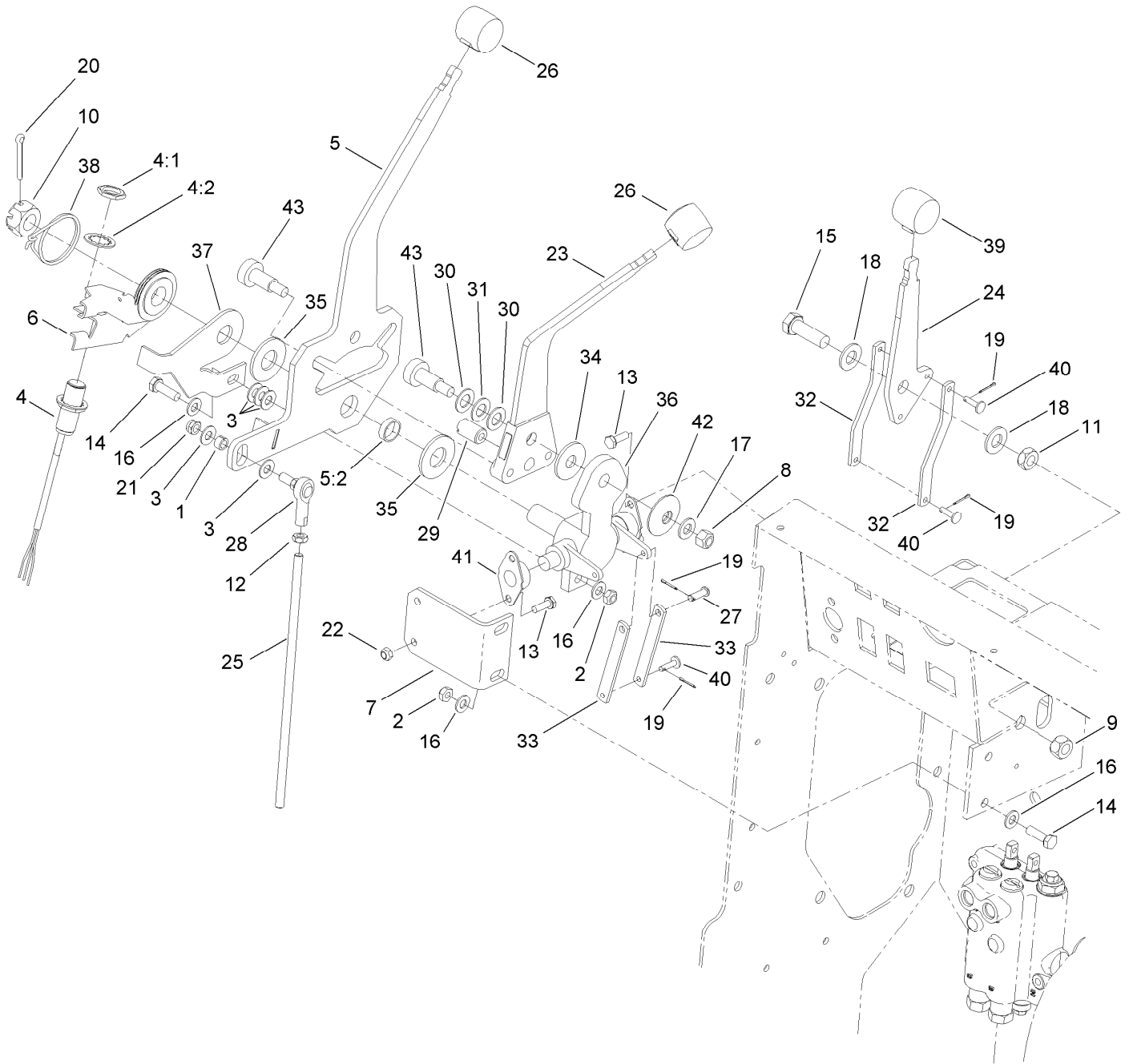
Fuel Tank Assembly



Fuel Tank Assembly (continued)

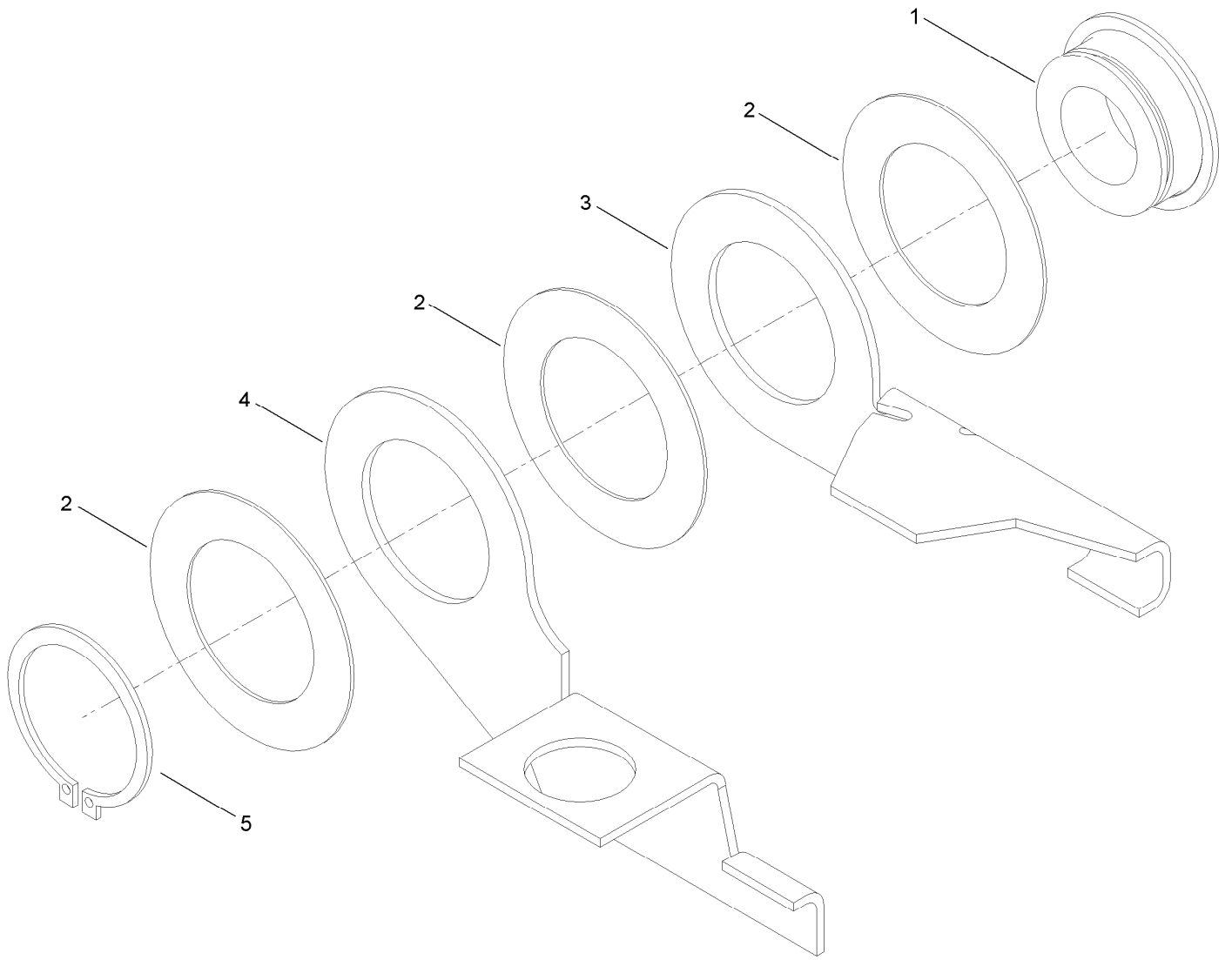
| <i>Ref.</i> | <i>Part Number</i> | <i>Qty.</i> | <i>Description</i> | <i>Ref.</i> | <i>Part Number</i> | <i>Qty.</i> | <i>Description</i> |
|-------------|--------------------|-------------|----------------------|-------------|--------------------|-------------|---------------------|
| 1 | AU105629-03 | 2 | Bracket-Tank, Fuel | 14 | 33104-016 | 1 | Screw-HHF |
| 2 | 33104-025 | 10 | Screw-HHF | 15 | 33103-020 | 3 | Screw-HHF |
| 3 | 33004-00 | 12 | Nut-HF | 16 | 33003-00 | 4 | Nut-HF |
| 4 | 127-1096 | 1 | Tank-Fuel W/Decal | 17 | 125-8511 | 1 | Mount-Isolater |
| 4:2 | 114-9600 | 1 | Decal-Low Sulfur | 18 | 32128-14 | 2 | Nut-HF |
| 5 | AU105630-03 | 4 | Strap-Tank, Fuel | 19 | 125-8513 | 1 | Hose-Fuel |
| 6 | 33104-030 | 2 | Screw-HHF | 20 | 125-8514 | 1 | Hose-Fuel |
| 7 | 2412-134 | 3 | Clamp-R | 21 | 125-8515 | 1 | Hose-Fuel |
| 8 | 110-9044 | 1 | Seperator Filter ASM | 22 | 125-8516 | 1 | Hose-Fuel |
| 8:1 | 110-9049 | 1 | Filter-Spin On | 23 | 125-8510 | 1 | Fitting |
| 9 | 353-783 | 2 | Fitting-Straight | 24 | AU217-294 | 1 | Stem-90 (Barb Hose) |
| 10 | 110-8817 | 1 | Bracket-Pump, Fuel | 25 | 2412-108 | 8 | Clamp-Worm |
| 11 | 110-8806 | 1 | Pump-Fuel | 26 | 33103-025 | 1 | Screw-HHF |
| 12 | 125-8512-03 | 1 | Bracket | | | | |

Ground Drive Control Assembly



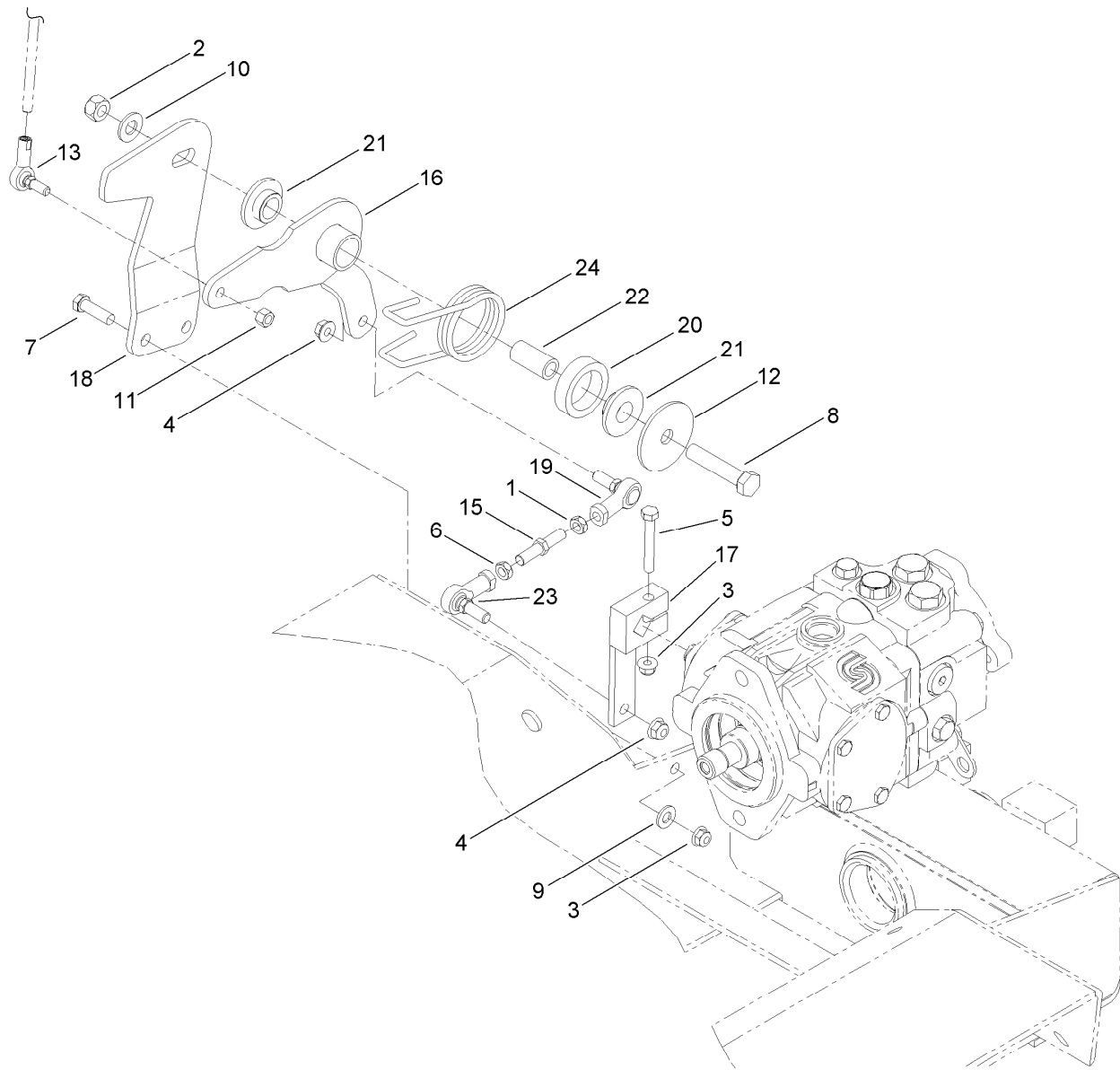
Ground Drive Control Assembly (continued)

| <i>Ref.</i> | <i>Part Number</i> | <i>Qty.</i> | <i>Description</i> | <i>Ref.</i> | <i>Part Number</i> | <i>Qty.</i> | <i>Description</i> |
|-------------|--------------------|-------------|-----------------------------|-------------|--------------------|-------------|-------------------------|
| 1 | 1-603500 | 1 | Spacer | 21 | 3296-20 | 1 | Nut-Lock, NI |
| 2 | 97-1203 | 3 | Nut-Hex | 22 | 146375 | 4 | Nut-Lock, Cone |
| 3 | 107-0279 | 5 | Washer | 23 | AU105258-03 | 1 | Handle-Creep |
| 4 | 115-5300 | 1 | Proximity Switch ASM | 24 | AU105259-03 | 1 | Handle-Plow |
| 4:1 | 117-3207 | 2 | Nut-Hex | 25 | AU107334 | 1 | Rod-Adust |
| 4:2 | 117-3208 | 2 | Washer-Lock, Internal Tooth | 26 | AUA177435 | 2 | Knob |
| 5 | 125-6643 | 1 | Handle ASM | 27 | 9321204 | 1 | Pin-Clevis |
| 5:2 | AUH433184 | 1 | Bearing-Handle | 28 | AUH289652 | 1 | Joint-Ball (Female) |
| 6 | 125-6646 | 1 | Mounting ASM | 29 | AUH404731 | 1 | Ball-Plunger |
| 7 | 125-8539-03 | 1 | Angle-Mounting | 30 | AUH405035 | 2 | Race-Thrust |
| 8 | 32152-2 | 1 | Nut-Lock, Cone | 31 | AUH405043 | 1 | Bearing-Thrust (Needle) |
| 9 | AU230-4218 | 1 | Nut-Lock, Hex | 32 | AUH423046-03 | 2 | Link-Valve, Control |
| 10 | AU425-1212 | 1 | Nut-Slotted, Hex | 33 | AUH423053-03 | 2 | Link-Valve, Steering |
| 11 | AU425-148 | 1 | Nut-Jam | 34 | AUH429894 | 1 | Washer-Friction |
| 12 | AU425-155 | 1 | Nut-Jam | 35 | AUH433170 | 2 | Washer-Spacer |
| 13 | AU426-412 | 4 | Bolt | 36 | AUH435855 | 1 | Pivot-Control, Steering |
| 14 | AU426-516 | 3 | Screw-HH | 37 | AUH436230-03 | 1 | Plate-Centering |
| 15 | AU426-824 | 1 | Screw-HH | 38 | AUH436231 | 1 | Spring-Centering |
| 16 | 3256-23 | 6 | Washer-Flat | 39 | AUH438223 | 1 | Knob-Green |
| 17 | 3256-24 | 1 | Washer-Flat | 40 | AUH44529 | 3 | Pin-Clevis |
| 18 | 3256-26 | 2 | Washer-Flat | 41 | AUH755785 | 2 | Bearing |
| 19 | 3272-1 | 4 | Pin-Cotter | 42 | AUR14771 | 1 | Washer-Belleville |
| 20 | 3272-23 | 1 | Pin-Cotter | 43 | 1-603403 | 3 | Bolt-Shoulder |



Neutral Switch Mounting Assembly No. 125-6646

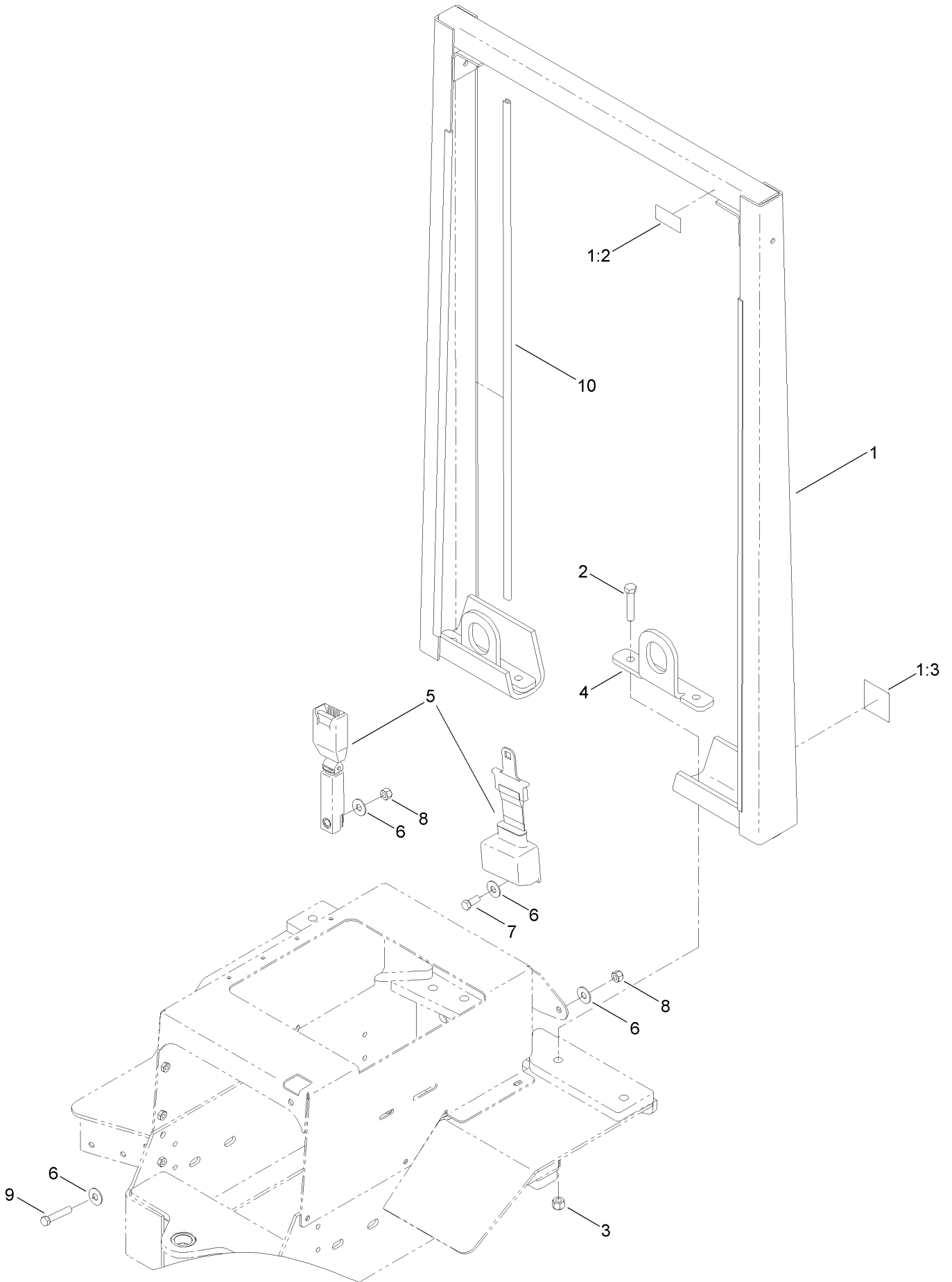
| <i>Ref.</i> | <i>Part Number</i> | <i>Qty.</i> | <i>Description</i> |
|-------------|--------------------|-------------|------------------------|
| 1 | AU131050A1 | 1 | Hub |
| 2 | AUH257915 | 3 | Shim |
| 3 | 125-6644 | 1 | Plate-Mounting, Switch |
| 4 | 125-6645 | 1 | Plate-Mounting, Switch |
| 5 | AU103-11125 | 1 | Ring-Retaining |



Ground Drive - Pump Control Assembly

| <i>Ref.</i> | <i>Part Number</i> | <i>Qty.</i> | <i>Description</i> | <i>Ref.</i> | <i>Part Number</i> | <i>Qty.</i> | <i>Description</i> |
|-------------|--------------------|-------------|-----------------------|-------------|--------------------|-------------|----------------------------|
| 1 | AU129-289 | 1 | Nut-Jam, LH | 13 | AU103404 | 1 | Joint-Ball, LH (Female) |
| 2 | AU230-4218 | 1 | Nut-Lock, Hex | 15 | AU107344 | 1 | Screwjack-Control, Short |
| 3 | 104-8300 | 1 | Nut-Flange, NI | 16 | AU110795A1-03 | 1 | Pivot-Centering |
| 4 | 104-8301 | 4 | Nut-Flange, NI | 17 | AU110866A1-03 | 1 | Lever-Control, Pump |
| 5 | 322-32 | 1 | Screw-HH | 18 | AU131966A2 | 1 | Plate-Centering |
| 6 | AU425-156 | 1 | Nut-Jam, Hex | 19 | AU139830A1 | 1 | Joint-Ball, Stud (Rod End) |
| 7 | AU426-620 | 2 | Bolt | 20 | AU175086A1 | 1 | Spacer-Collar |
| 8 | AU426-840 | 1 | Screw-HH | 21 | AUD128616 | 2 | Bushing-Insert, Plastic |
| 9 | AU496-21041 | 2 | Washer-Flat | 22 | AUH435694 | 1 | Spacer |
| 10 | 3256-26 | 1 | Washer-Flat | 23 | AUR47940 | 1 | Joint-Ball |
| 11 | 32152-5 | 1 | Nut-Hex | 24 | AUH436303 | 1 | Spring |
| 12 | AU131967A1 | 1 | Washer-Flat (Special) | | | | |

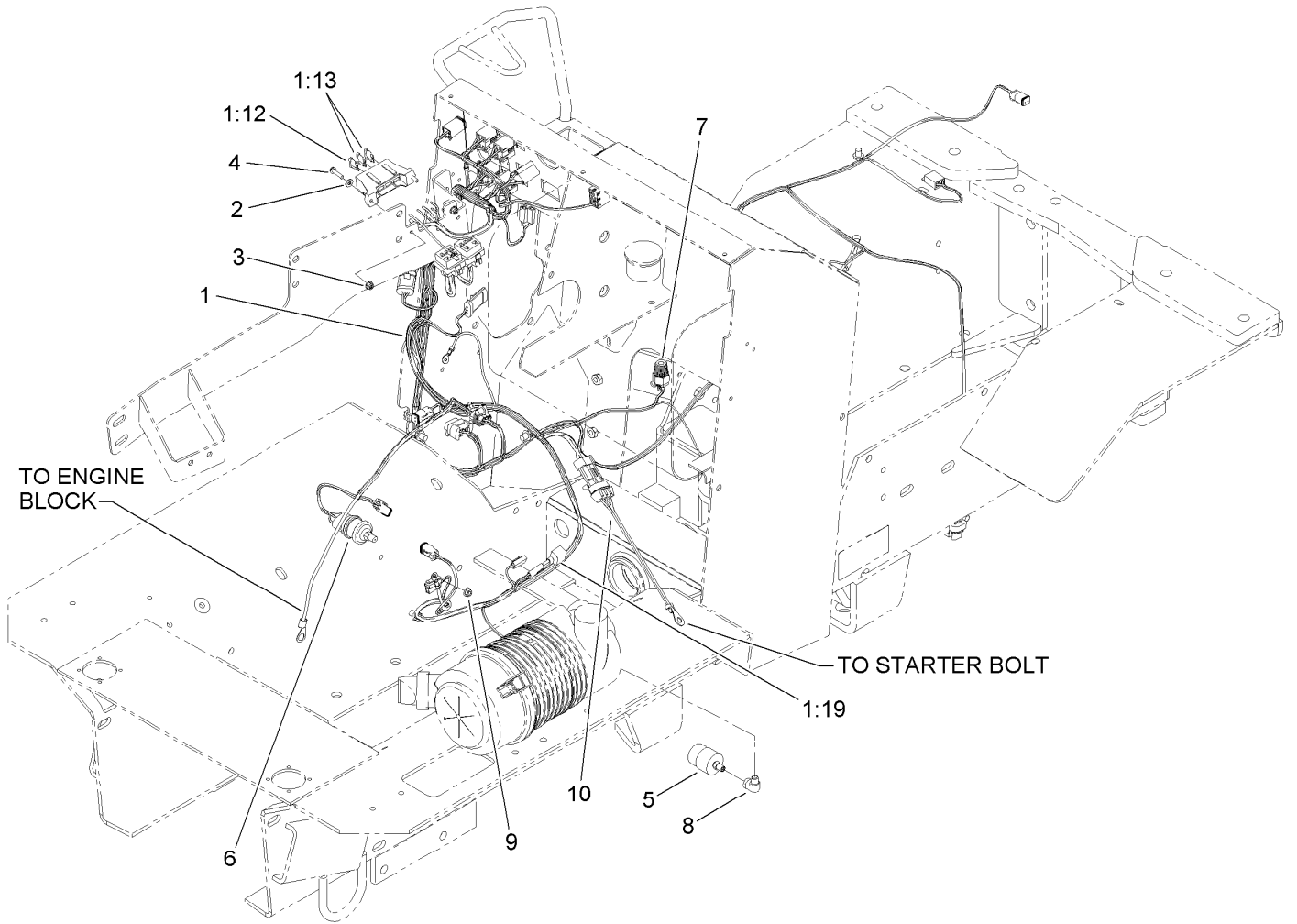
Roll-Over Protection System Assembly



Roll-Over Protection System Assembly (continued)

| <i>Ref.</i> | <i>Part Number</i> | <i>Qty.</i> | <i>Description</i> | <i>Ref.</i> | <i>Part Number</i> | <i>Qty.</i> | <i>Description</i> |
|-------------|--------------------|-------------|--------------------------|-------------|--------------------|-------------|--------------------|
| 1 | 125-8466 | 1 | ROPS ASM | 5 | AU249116A1 | 1 | Seat Belt ASM |
| 1:2 | 125-8467 | 1 | Decal-ROPS Certification | 6 | 3256-5 | 4 | Washer-Flat |
| 1:3 | 125-4967 | 2 | Decal-Lift Here | 7 | AU428-716 | 1 | Screw-HH |
| 2 | AU426-840 | 4 | Screw-HH | 8 | AU232-4617 | 2 | Nut-Lock |
| 3 | AU232-4118 | 4 | Nut-Hex | 9 | AU428-736 | 1 | Screw-HH |
| 4 | 127-1000-03 | 2 | Plate-Lift | 10 | 94-5618 | 4 | Trim-Firewall |

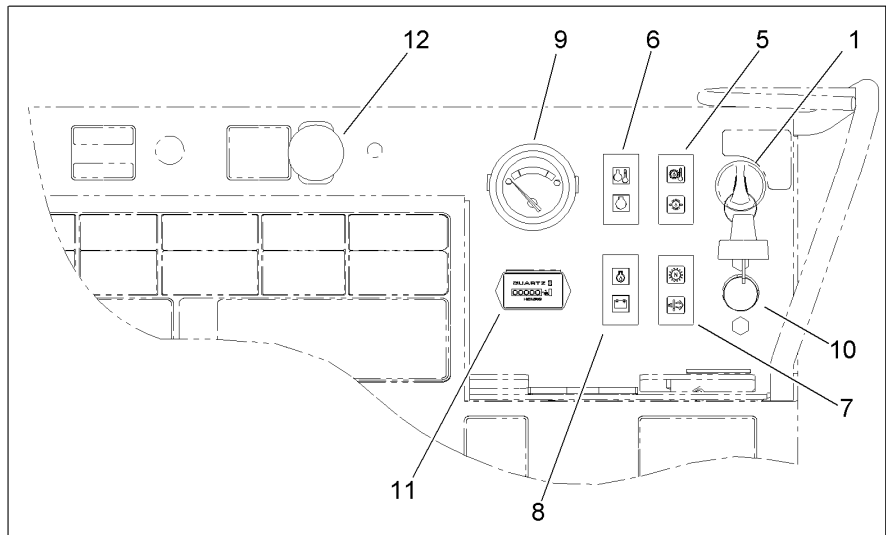
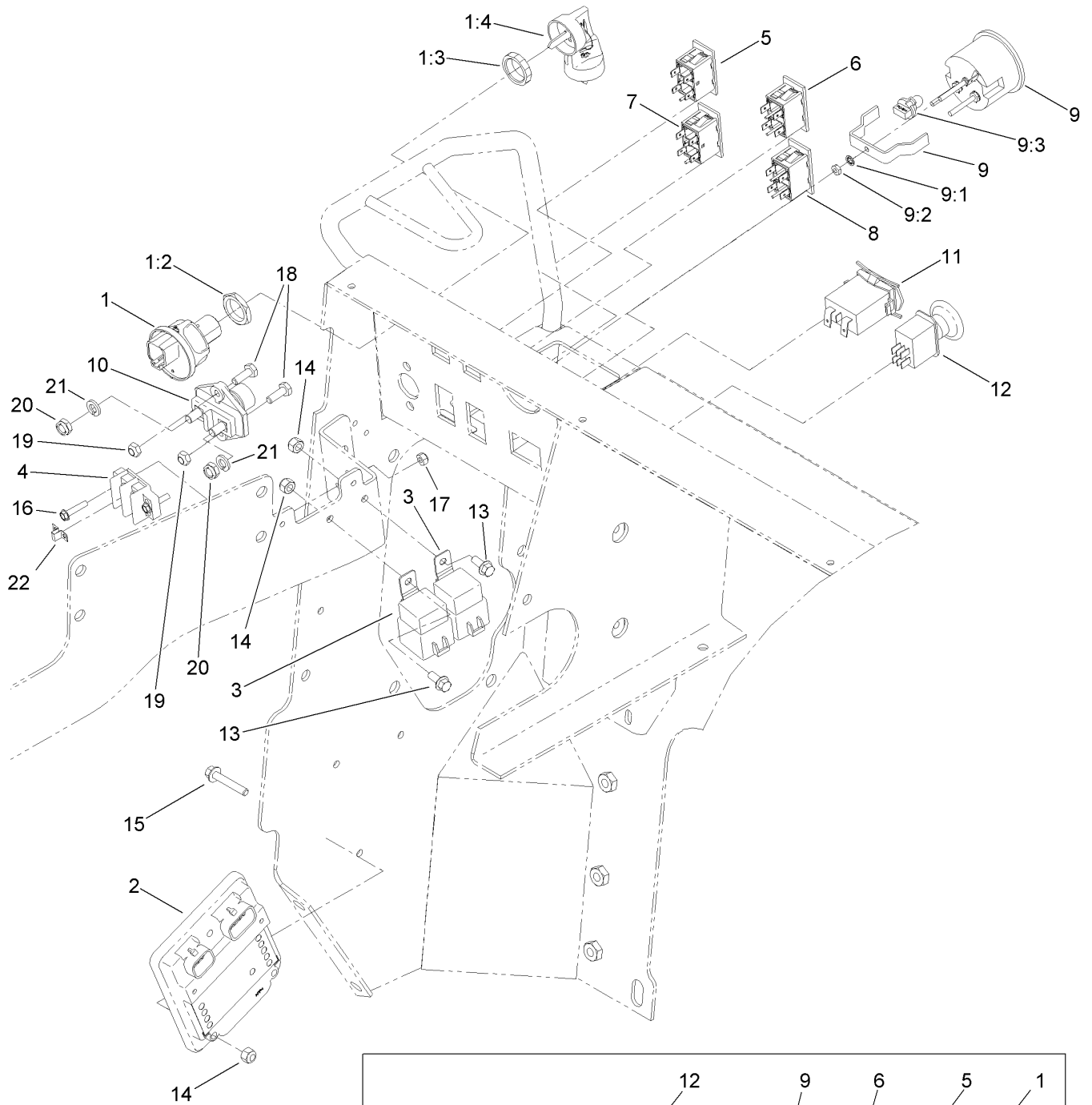
Electrical Harness Assembly



Electrical Harness Assembly (continued)

| <i>Ref.</i> | <i>Part Number</i> | <i>Qty.</i> | <i>Description</i> | <i>Ref.</i> | <i>Part Number</i> | <i>Qty.</i> | <i>Description</i> |
|-------------|--------------------|-------------|--------------------|-------------|--------------------|-------------|----------------------------|
| 1 | 121-6583 | 1 | Harness-Wire, Main | 5 | AU292950A1 | 1 | Switch-Pressure, Vacuum |
| 1:12 | 94-6710 | 1 | Fuse-2 Amp | 6 | 125-8509 | 1 | Switch-Pressure, Oil |
| 1:13 | 218-578 | 2 | Fuse-Blade, 10 Amp | 7 | 121-6599 | 1 | Switch-Temp 200 Degree |
| 1:19 | 104-4022 | 1 | Resistor-75 Ohm | 8 | 2811-7 | 1 | Elbow |
| 2 | 3256-14 | 2 | Washer-Flat | 9 | 33003-00 | 1 | Nut-HF |
| 3 | 120-4578 | 2 | Nut-HF | 10 | 99-3441 | 1 | Harness-Wire, Fusible Link |
| 4 | 106-9169 | 2 | Screw-HWH | | | | |

Dash Assembly



Dash Assembly (continued)

| <i>Ref.</i> | <i>Part Number</i> | <i>Qty.</i> | <i>Description</i> | <i>Ref.</i> | <i>Part Number</i> | <i>Qty.</i> | <i>Description</i> |
|-------------|--------------------|-------------|--------------------------|-------------|--------------------|-------------|--------------------|
| 1 | 121-5159 | 1 | Ignition Switch ASM | 9:3 | 105-9265 | 1 | Bulb And Lamp ASM |
| 1:2 | 121-5160 | 1 | Nut-Hex | 10 | AUH35048 | 1 | Switch-Starter |
| 1:3 | 121-5161 | 1 | Nut-Face | 11 | 1-513374 | 1 | Meter-Hour |
| 1:4 | 121-5162 | 1 | Ignition Key Set | 12 | 93-9999 | 1 | Switch-PTO |
| 2 | 106-9277 | 1 | Module-Control, Standard | 13 | 3234-33 | 2 | Screw-HHF |
| 3 | 99-7430 | 2 | Relay | 14 | 3296-42 | 5 | Nut-Lock, NI |
| 4 | 42862 | 1 | Block-Terminal, Ground | 15 | 94-5781 | 3 | Screw-HHF |
| 5 | 121-6584 | 1 | Lamp-Warning | 16 | 106-9169 | 2 | Screw-HWH |
| 6 | 100-8071 | 1 | Lamp-Warning | 17 | 3296-2 | 2 | Nut-Lock, NI |
| 7 | 121-6582 | 1 | Lamp-Warning | 18 | 321-35 | 2 | Screw-HH |
| 8 | 100-8070 | 1 | Lamp-Warning | 19 | 146375 | 2 | Nut-Lock, Cone |
| 9 | 98-9339 | 1 | Gauge-Fuel | 20 | 3296-20 | 2 | Nut-Lock, NI |
| 9:1 | 3254-1 | 3 | Washer-Lock, Int | 21 | 3253-4 | 2 | Washer-Lock |
| 9:2 | 3217-27 | 3 | Nut-Hex | 22 | 42863 | 1 | Strip-Jumper |

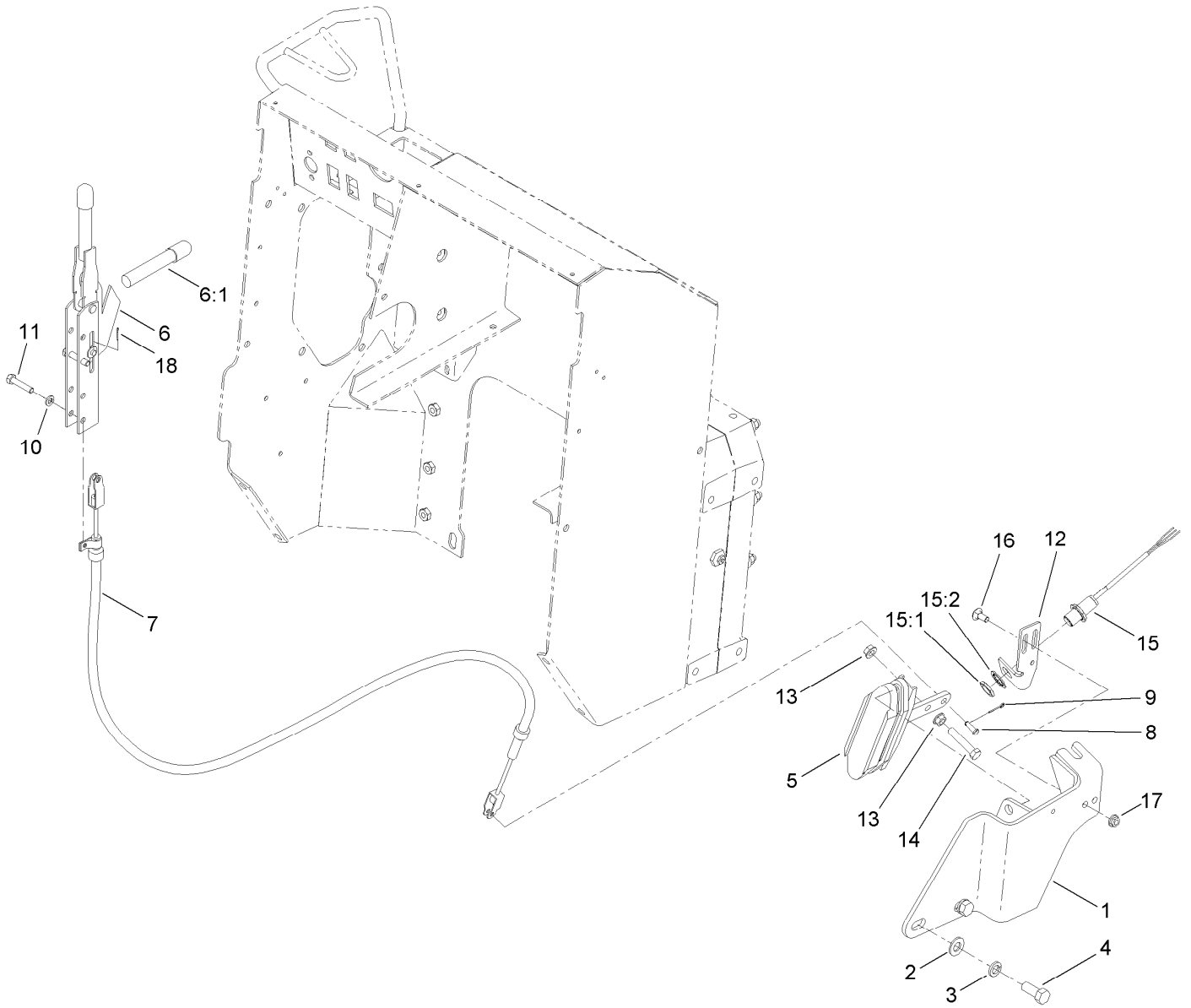
Battery Assembly (continued)

| <i>Ref.</i> | <i>Part Number</i> | <i>Qty.</i> | <i>Description</i> | <i>Ref.</i> | <i>Part Number</i> | <i>Qty.</i> | <i>Description</i> |
|-------------|--------------------|-------------|-------------------------|-------------|--------------------|-------------|-------------------------|
| 1 | 54-8100 | 1 | Screw-HH | 13 | 3255-8 | 1 | Washer-Lock |
| 2 | 97-1203 | 1 | Nut-Hex | 14 | 3256-26 | 1 | Washer-Flat |
| 3 | 122-0113 | 1 | Cable-Battery, Positive | 15 | 33024-00 | 1 | Nut-Lock, NI |
| 4 | AU131-634 | 4 | Nut-Spring | 16 | | 1 | Battery (1000Cca) ●■ |
| 5 | AU232-4116 | 3 | Nut-Hex | 17 | AUH436777-03 | 1 | Bracket-Battery |
| 6 | 322-5 | 1 | Screw-HH | 18 | AUH673382-01 | 1 | Rack-Battery |
| 7 | 323-44 | 2 | Screw-HH | 21 | 122-0109 | 1 | Cable-Battery, Negative |
| 8 | 323-6 | 4 | Screw-HH | 22 | 104-8301 | 2 | Nut-Flange, NI |
| 9 | AU496-11034 | 2 | Washer-Flat | 23 | 321-5 | 1 | Screw-HH |
| 10 | AU496-21041 | 4 | Washer-Flat | 24 | 3256-22 | 1 | Washer-Flat |
| 11 | 2412-87 | 1 | Clamp-Cable | 25 | 32152-4 | 1 | Nut-Lock, Cone |

● Obtain locally.

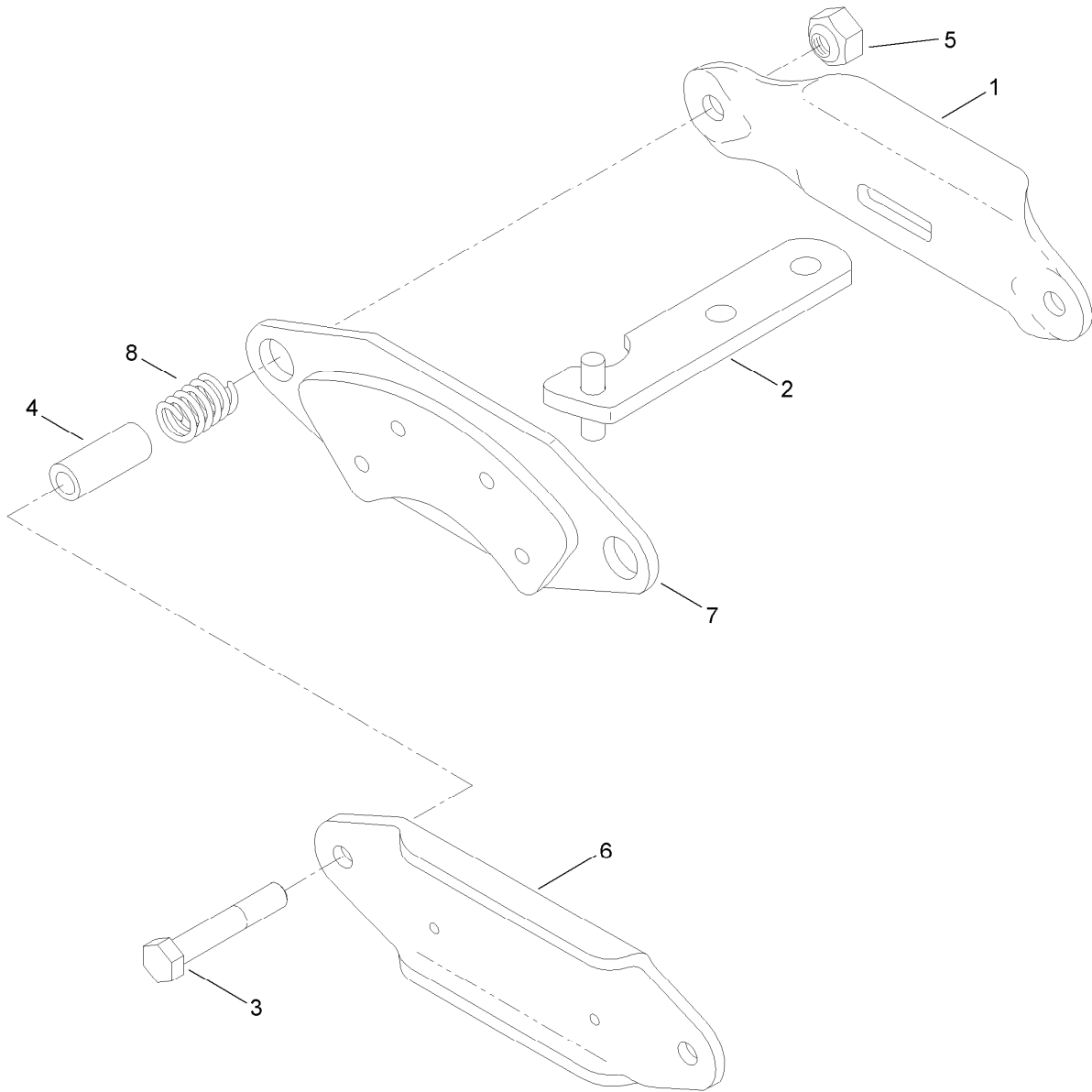
■ Not serviced separately

Brake Assembly



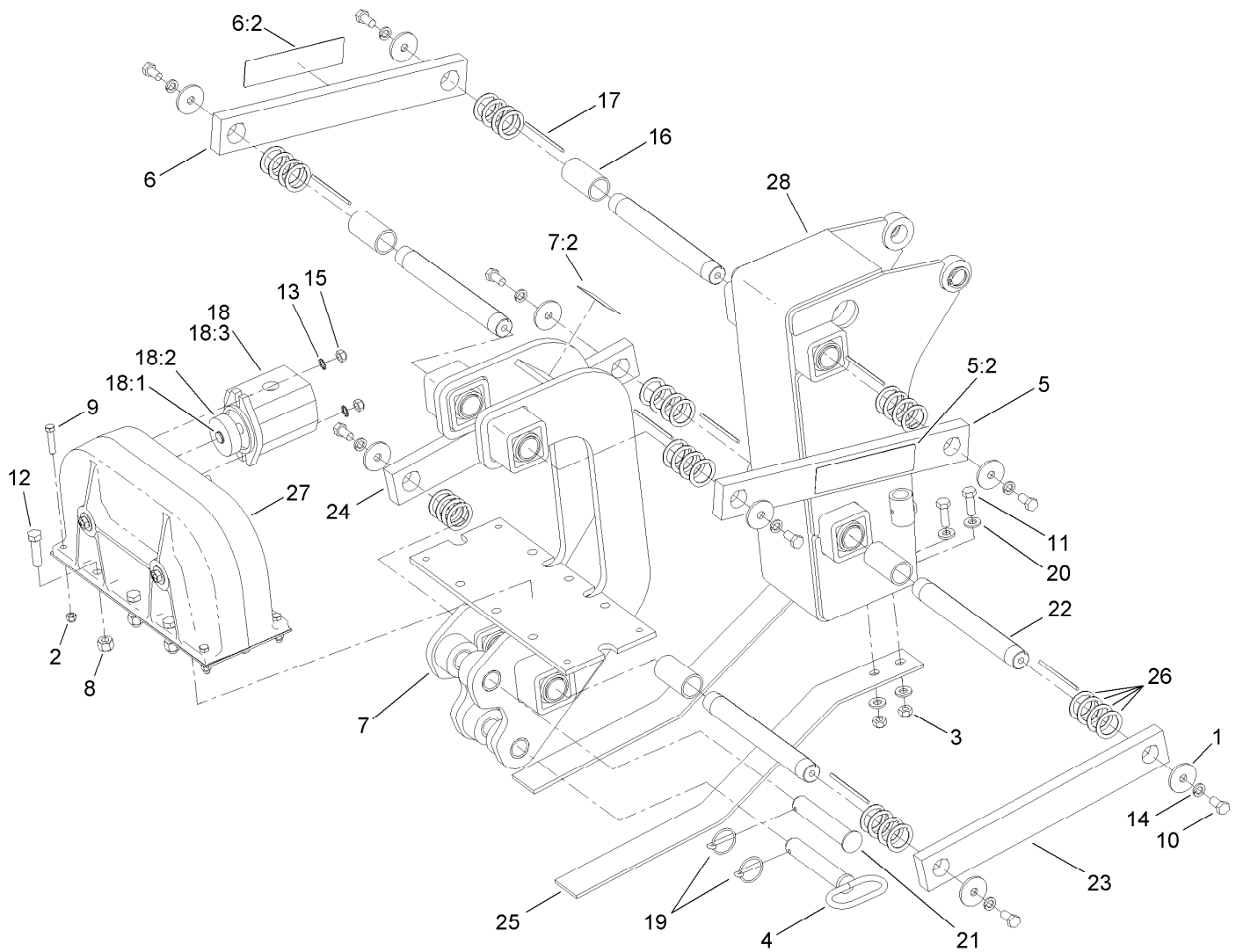
Brake Assembly (continued)

| <i>Ref.</i> | <i>Part Number</i> | <i>Qty.</i> | <i>Description</i> | <i>Ref.</i> | <i>Part Number</i> | <i>Qty.</i> | <i>Description</i> |
|-------------|--------------------|-------------|--------------------|-------------|--------------------|-------------|-----------------------------|
| 1 | 125-8534-03 | 1 | Bracket-Brake | 11 | 5-1470 | 2 | Screw-HH |
| 2 | 3256-26 | 2 | Washer-Flat | 12 | 125-8536-03 | 1 | Bracket-Sensor |
| 3 | 3253-7 | 2 | Washer-Lock | 13 | 3290-357 | 2 | Nut-HHF, Whiz |
| 4 | 325-5 | 2 | Screw-HH | 14 | 323-32 | 1 | Screw-HH |
| 5 | AUH673926 | 1 | Caliper ASM | 15 | 115-0282 | 1 | Sensor-Proximity |
| 6 | AUH506881 | 1 | Lever-Brake | 15:1 | 117-3207 | 2 | Nut-Hex |
| 6:1 | AUH53942 | 1 | Spacer | 15:2 | 117-3208 | 2 | Washer-Lock, Internal Tooth |
| 7 | AU119124A2 | 1 | Cable-Brake | 16 | 3230-1 | 2 | Bolt-CARR |
| 8 | 9321204 | 1 | Pin-Clevis | 17 | 32128-20 | 2 | Nut-HF |
| 9 | 3272-2 | 1 | Pin-Cotter | 18 | 3272-1 | 1 | Pin-Cotter |
| 10 | 3253-4 | 2 | Washer-Lock | | | | |



Brake Caliper Assembly No. AUH673926

| <i>Ref.</i> | <i>Part Number</i> | <i>Qty.</i> | <i>Description</i> |
|-------------|--------------------|-------------|----------------------------|
| 1 | AUH437100 | 1 | Bracket |
| 2 | AUH437101 | 1 | Lever |
| 3 | AU414-536 | 2 | Screw-Cap |
| 4 | AU119417 | 2 | Spacer-Tube |
| 5 | AU230-4715 | 2 | Nut |
| 6 | AUH437104 | 1 | Outside Holder And Pad ASM |
| 7 | AUH437102 | 1 | Inside Holder And Pad ASM |
| 8 | AUH437103 | 2 | Spring |

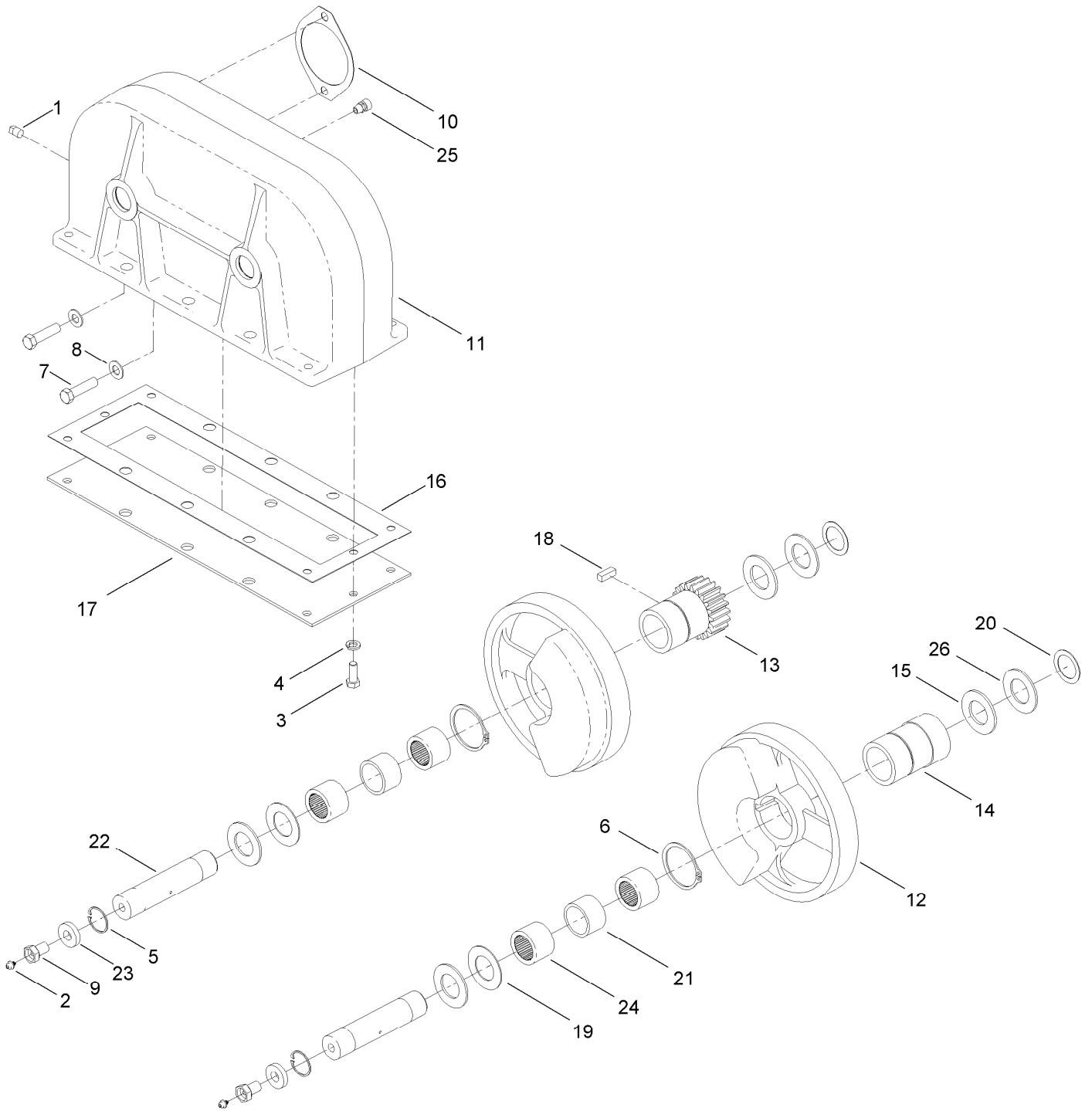


Plow Frame, Blade Mounting and Transmission Assembly

| Ref. | Part Number | Qty. | Description | Ref. | Part Number | Qty. | Description |
|------|-------------|------|----------------------------------|------|---------------|------|--------------------------|
| 1 | 75-7730 | 8 | Washer-Thrust | 13 | 87-7480 | 2 | Washer |
| 2 | 97-1204 | 4 | Nut-Hex | 14 | 3253-7 | 8 | Washer-Lock |
| 3 | 97-1206 | 4 | Locknut | 15 | 32152-9 | 2 | Nut-Hex |
| 4 | 125-8528 | 1 | Pin | 16 | AU116372A1-03 | 4 | Tube-Spacer |
| 5 | 127-1039 | 1 | RH Upper Bar And Decal ASM | 17 | AU116373A1 | 8 | Key-Square |
| 5:2 | 125-6684 | 1 | Decal-Danger, Plow | 18 | | 1 | HYD Gear Motor ASM ● |
| 6 | 127-1040 | 1 | LH Upper Bar And Decal ASM | 18:1 | 32151-79 | 2 | Ring-Retaining |
| 6:2 | 125-6684 | 1 | Decal-Danger, Plow | 18:2 | AUH113282 | 1 | Gear-Mounting, Drive |
| 7 | 127-1041 | 1 | Mounting Blade And Decal ASM | 18:3 | AU109170A1 | 1 | Motor-Gear, Plow |
| 7:2 | 125-6671 | 1 | Decal-Danger, Underground Hazard | 19 | AUA30338 | 2 | Pin-Klik |
| 8 | AU232-4119 | 6 | Nut | 20 | AUH274894 | 8 | Washer |
| 9 | 323-52 | 4 | Screw-HH | 21 | AUH393843 | 1 | Pin-Mounting, Blade |
| 10 | 325-4 | 8 | Screw-HH | 22 | AUH421867 | 4 | Shaft-Mounting, Plow Arm |
| 11 | 325-6 | 4 | Screw-HH | 23 | AUH435952-03 | 1 | Arm-Plow, Lower (RH) |
| 12 | AU426-932 | 6 | Bolt | 24 | AUH435953-03 | 1 | Arm-Plow, Lower (LH) |
| | | | | 25 | AUH436096-03 | 2 | Spring-Shoe |
| | | | | 26 | AUH436118 | 32 | Shim-Arm |
| | | | | 27 | AUH530204 | 1 | Gear Case ASM |
| | | | | 28 | AUH673331-03 | 1 | Frame-Lift |

● Not serviced separately

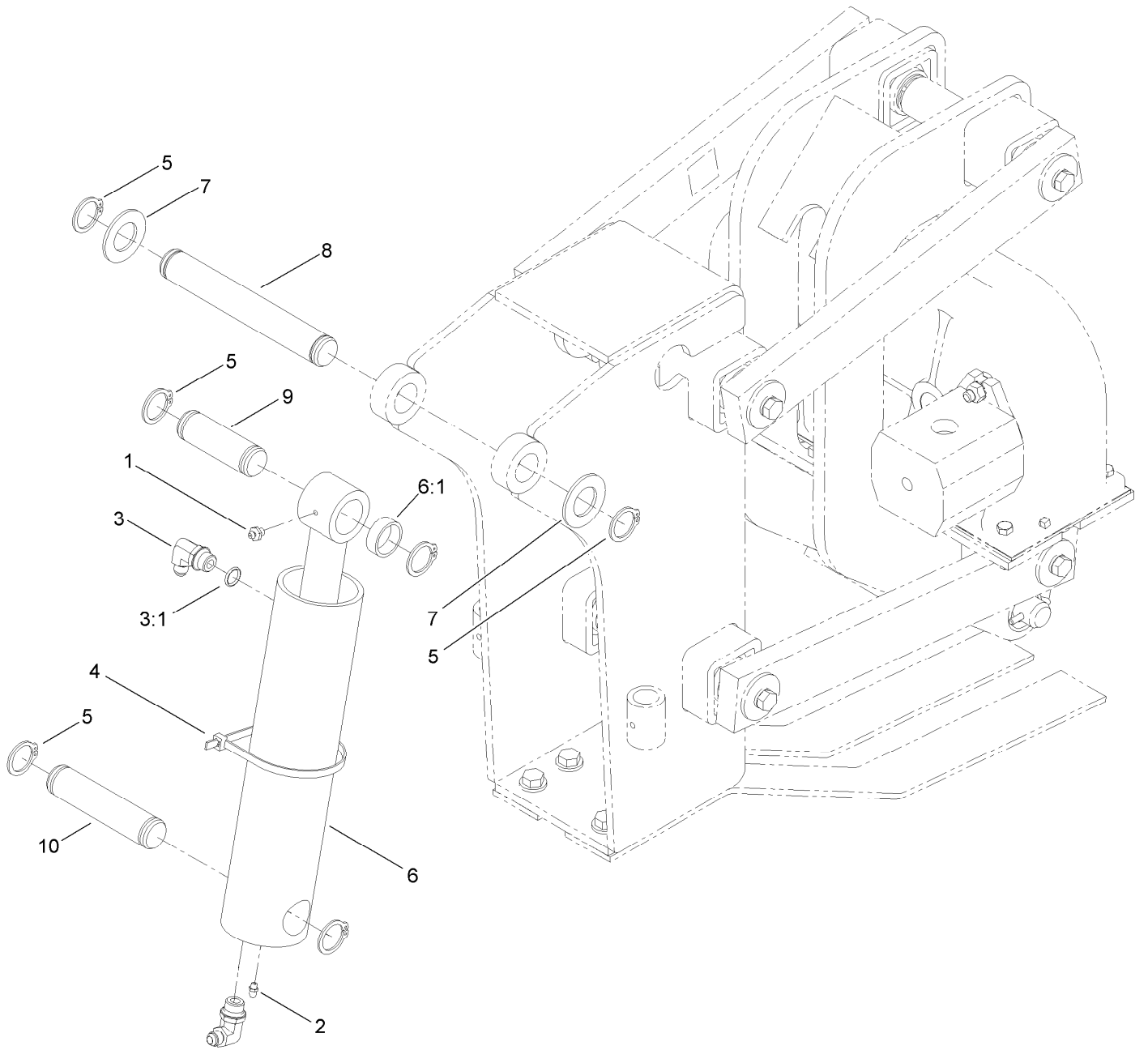
Gear Case Assembly No. AUH530204



Gear Case Assembly No. AUH530204 (continued)

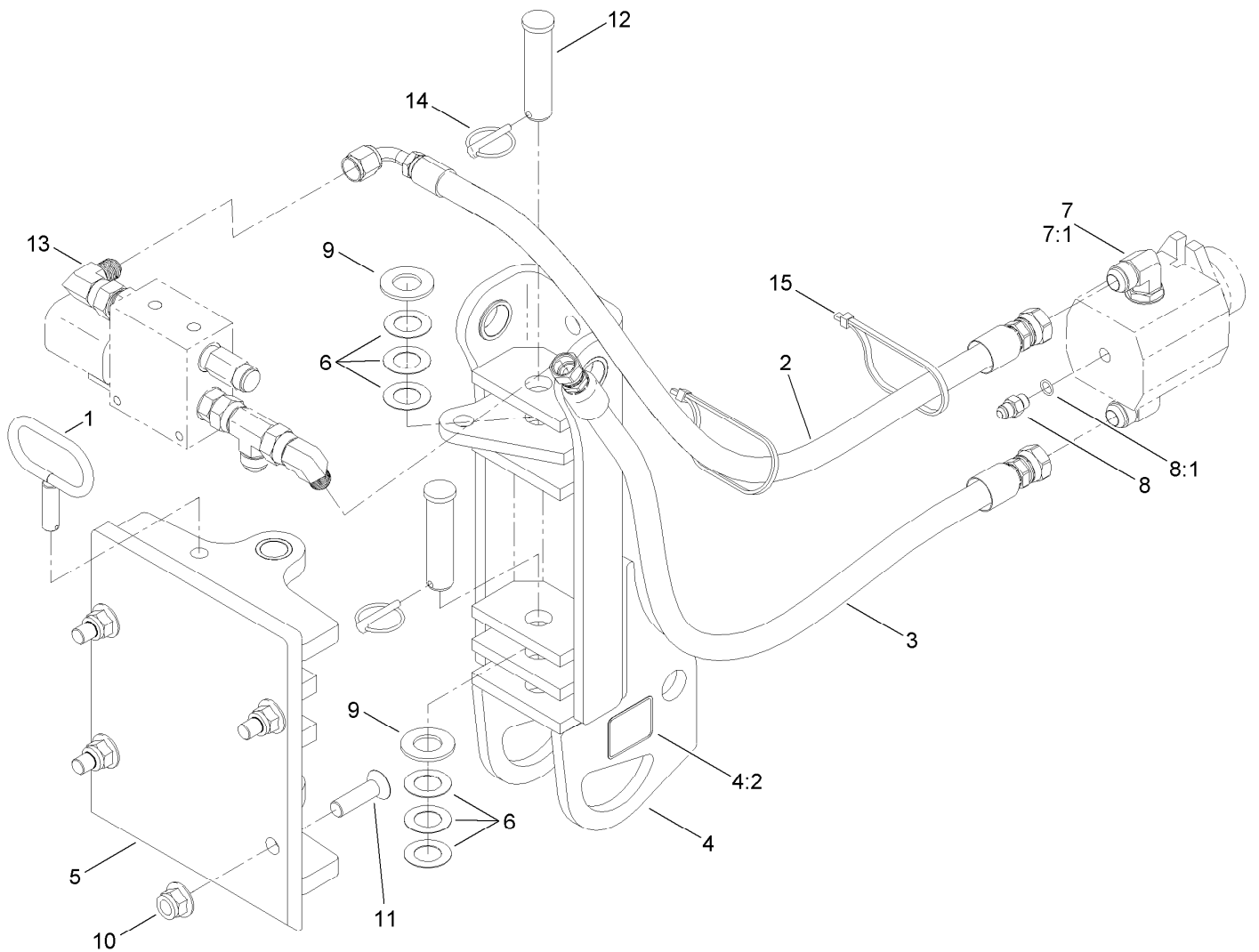
| <i>Ref.</i> | <i>Part Number</i> | <i>Qty.</i> | <i>Description</i> | <i>Ref.</i> | <i>Part Number</i> | <i>Qty.</i> | <i>Description</i> |
|-------------|--------------------|-------------|--------------------|-------------|--------------------|-------------|----------------------|
| 1 | 281-7 | 1 | Cap-Pipe | 14 | AUH113233 | 1 | Hub-Bearing |
| 2 | 302-63 | 2 | Zerk | 15 | AUH113241 | 2 | Washer-10 Gauge |
| 3 | 323-6 | 2 | Screw-HH | 16 | AUH113266 | 1 | Gasket-Gearbox |
| 4 | 3253-21 | 2 | Washer-Lock | 17 | AUH113274-03 | 1 | Plate-Cover |
| 5 | 32151-51 | 2 | Ring-Retaining | 18 | AUH120550 | 1 | Key-Square |
| 6 | AU103-11225 | 2 | Ring-Retaining | 19 | AUH159160 | 2 | Washer-Thrust |
| 7 | AU113-372 | 2 | Screw-HH | 20 | AUH357517 | 2 | Washer |
| 8 | AU495-11047 | 2 | Washer-Flat | 21 | AUH369496 | 2 | Spacer |
| 9 | AUD136218 | 2 | Adapter-Locating | 22 | AUH436788 | 2 | Pin-Bearing |
| 10 | AUH032375 | 1 | Gasket | 23 | AUH436789 | 2 | Washer-Flat, Stepped |
| 11 | AUH113209-03 | 1 | Case-Gear | 24 | AUH748210 | 4 | Bearing-Pitch Line |
| 12 | AUH113217 | 2 | Gear | 25 | AUL33264 | 1 | Vent-Air |
| 13 | AUH113225 | 1 | Hub-Drive, Bearing | 26 | AUH126201 | 4 | Washer-Thrust |

Plow Cylinder Assembly



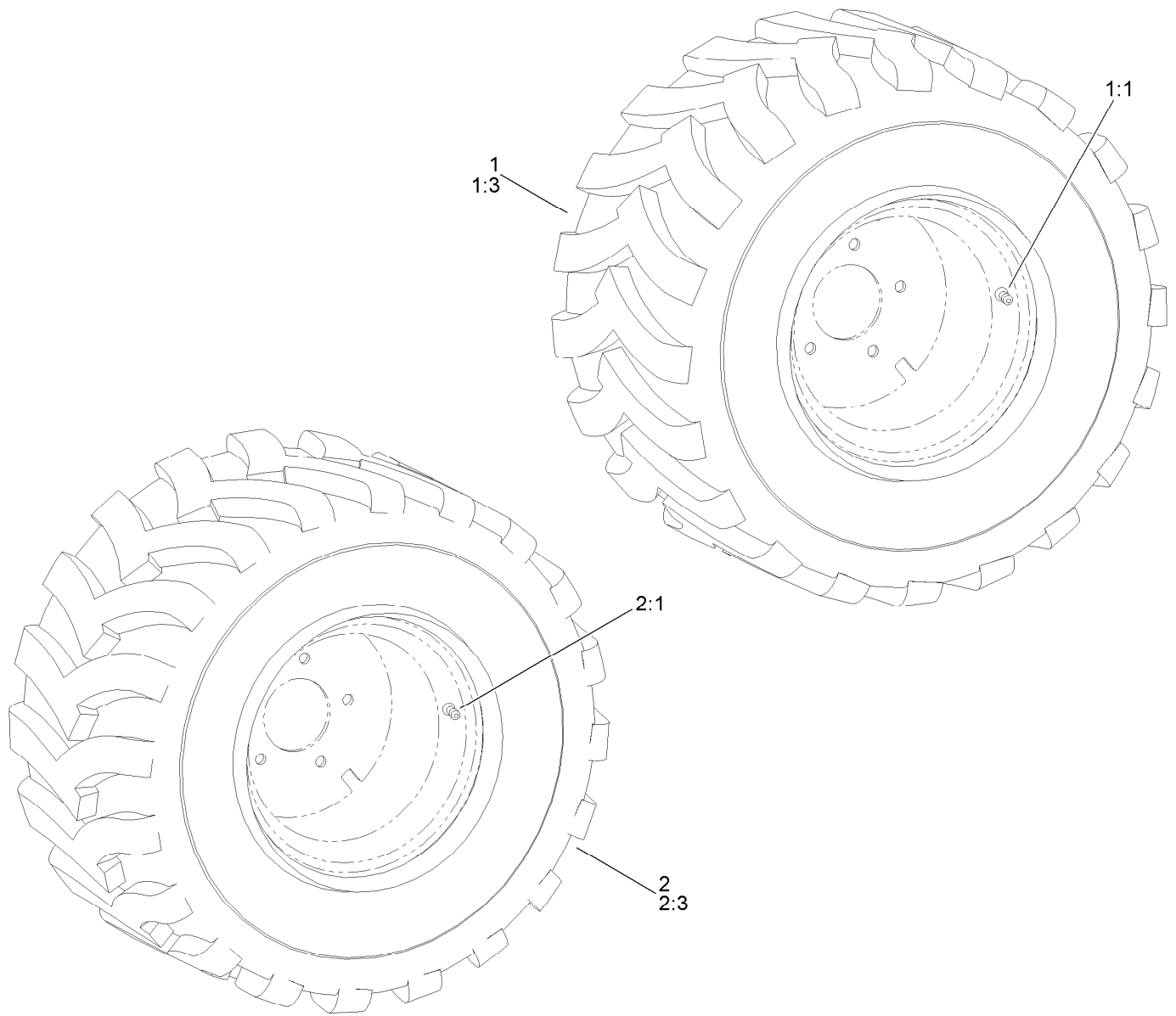
Plow Cylinder Assembly (continued)

| <i>Ref.</i> | <i>Part Number</i> | <i>Qty.</i> | <i>Description</i> | <i>Ref.</i> | <i>Part Number</i> | <i>Qty.</i> | <i>Description</i> |
|-------------|--------------------|-------------|--------------------------|-------------|--------------------|-------------|--------------------|
| 1 | 302-2 | 1 | Fitting-Grease | 6 | AU129434 | 1 | HYD Cylinder ASM |
| 2 | 302-57 | 1 | Fitting-Grease | 6:1 | AU129539 | 1 | Bushing, Press Fit |
| 3 | 353-537 | 2 | Fitting-Elbow, 90 DEG | 7 | AUH113241 | 2 | Washer-10 Gauge |
| 3:1 | 237-79 | 1 | O-Ring | 8 | AUH382457 | 1 | Pin-Lift |
| 4 | 3334-945 | 1 | Tie-Cable | 9 | AUH434556 | 1 | Pin-Clevis |
| 5 | 32151-77 | 6 | Ring-Retaining, External | 10 | AUH434557 | 1 | Pin-Clevis |



Plow Pivot and Quick Attach Slide Assembly

| Ref. | Part Number | Qty. | Description | Ref. | Part Number | Qty. | Description |
|------|-------------|------|-----------------------|------|-------------|------|-------------------|
| 1 | 125-8535 | 1 | Lock-Swing | 8 | 353-384 | 1 | Fitting-Straight |
| 2 | 127-1019 | 1 | Hose ASM | 8:1 | 237-42 | 1 | O-Ring |
| 3 | 127-1020 | 1 | Hose ASM | 9 | AU495-11106 | 2 | Washer-Flat |
| 4 | 127-1044 | 1 | Pivot ASM | 10 | AU100529 | 4 | Nut-HHF |
| 4:2 | 125-6694 | 2 | Decal-Tie Down | 11 | AU107931 | 4 | Screw-HSFH |
| 5 | AU107916-03 | 1 | Slide-Quick Attach | 12 | AU113192A1 | 2 | Pin-Pivot |
| 6 | AU195-81015 | 6 | Washer-Flat | 13 | AU218-5377 | 2 | Fitting-Elbow, 90 |
| 7 | 353-369 | 2 | Fitting-Elbow, 90 DEG | 14 | AUA30338 | 2 | Pin-Klik |
| 7:1 | 237-81 | 1 | O-Ring | 15 | 3334-945 | 2 | Tie-Cable |



26 Inch Tire Assembly

| <i>Ref.</i> | <i>Part Number</i> | <i>Qty.</i> | <i>Description</i> |
|-------------|--------------------|-------------|--------------------|
| 1 | 125-8530 | 2 | RH Tire ASM |
| 1:1 | 232-27 | 1 | Stem-Valve |
| 1:3 | 125-8507 | 1 | Tire |
| 2 | 125-8529 | 2 | LH Tire ASM |
| 2:1 | 232-27 | 1 | Stem-Valve |
| 2:3 | 125-8507 | 1 | Tire |

Attachments and Accessories

For 25400 Pro Sneak 360 Vibratory Plow

| Product Name | Model/Part |
|---|-------------------|
| Premium All Season Hydraulic Fluid (5 Gallon Pail)..... | 108-1178 |
| Premium All Purpose Grease (Tube) | 108-1190 |
| Premium All Season Gear Lube (Quart) | 108-1590 |
| Premium Heavy Duty All Season Gear Lube (Quart) | 108-1591 |
| Filter-air | 108-3810 |
| 5in Air Cleaner Safety Element..... | 114-4057 |
| Premium Engine Oil 10w30 (55 Gal)..... | 121-6392 |
| Premium Engine Oil 10w30 (5 Gallon Pail) | 121-6393 |
| Filter-Oil..... | 125-7025 |
| Filter-fuel..... | 125-8752 |
| P40 Vibratory Plow | 25402E |
| 24in Crumber Kit, Trencher..... | 25404E |
| 24in Boom, Trencher | 25406E |
| 36in Boom, Trencher | 25408E |
| Trencher Drive..... | 25410E |
| 23in Tire Kit..... | 25414E |
| 26in Tire Kit..... | 25416E |
| Hydra Borer | 25418E |
| 22in Reel Carrier..... | 25419E |
| 23in Dual Tire Kit | 25423E |
| 26in Dual Tire Kit | 25424E |
| Wheel Weight Assembly..... | 25426E |

Notes:

Notes:

Notes:



Count on it.