

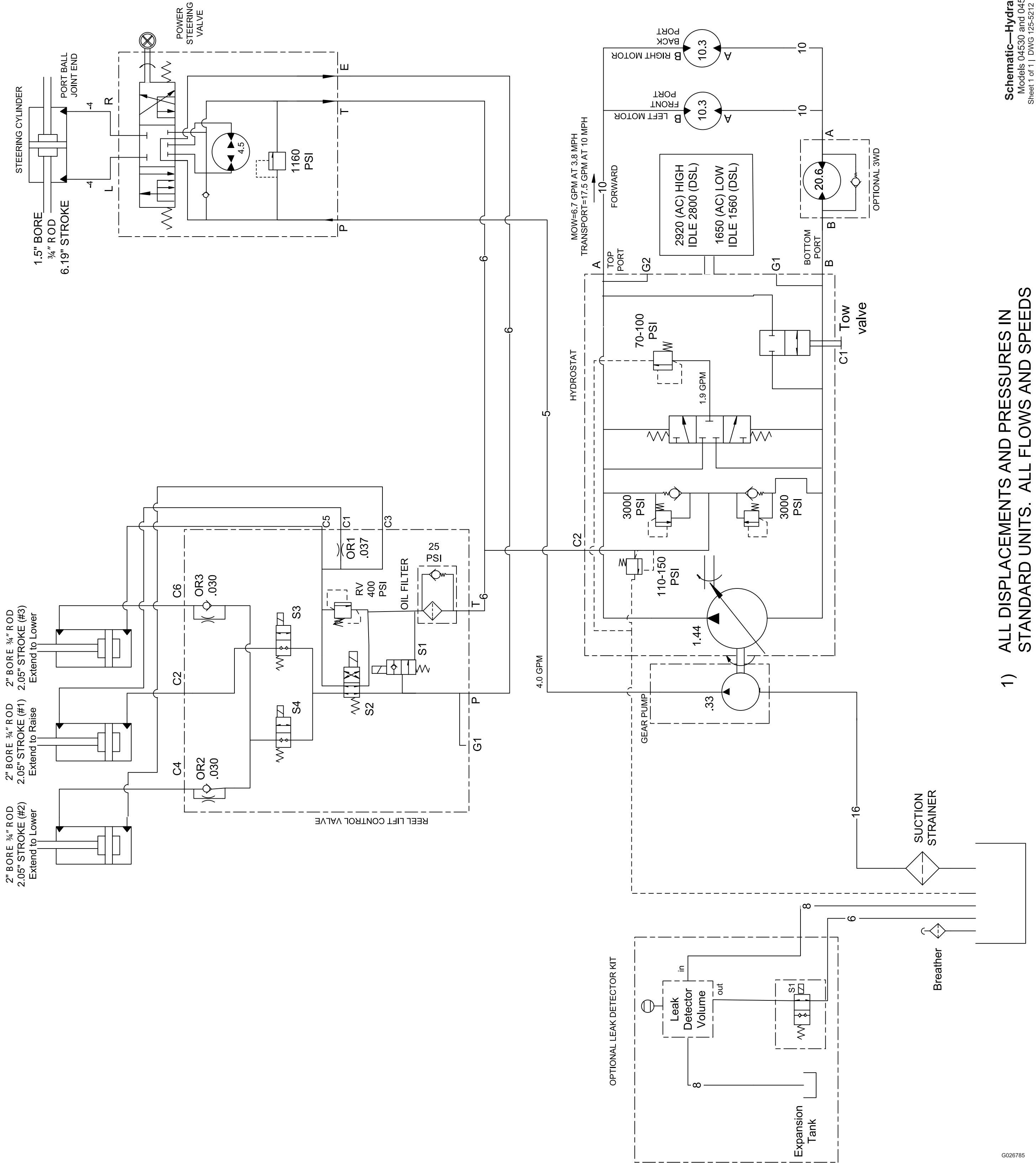


Greensmaster® 3320 or 3420 TriFlex™ Traction Unit

Model No. 04530—Serial No. 314004001 and Up

Model No. 04540—Serial No. 314004001 and Up

Hydraulic Schematic



1) ALL DISPLACEMENTS AND PRESSURES IN STANDARD UNITS. ALL FLOWS AND SPEEDS CALCULATED AT 95% VOLUMETRIC EFFICIENCY AND HIGH IDLE FOR AC MACHINE

Schematic—Hydraulic
Models 04530 and 04540
Sheet 1 of 1 | DWG 125-5212 | Rev A