



Count on it.

Parts Catalog

**EU Compliance Kit
Multi Pro® 1750 Turf Sprayer**

Model No. 41209—Serial No. 314000001 and Up



Ordering Replacement Parts

To order replacement parts, please supply the part number, the quantity, and the description of each part desired.

Understanding Reference Numbers

Each identified part in an illustration has a reference number. The reference number for a part also appears in the parts list, along with other information about the part.

This catalog uses two special reference number formats, one to indicate parts in a service assembly and another to indicate the quantity of a given part in an illustration.

Service Assembly Reference Numbers

Parts in service assemblies have reference numbers in the form a:b. The a represents the reference number of the entire service assembly and the b represents a sequential number unique to each part within the service assembly.

For example, a wheel assembly might be identified by reference number 6, the tire by 6:1, the valve by 6:2, and the wheel by 6:3. When you order the assembly identified by reference number 6, you receive all parts identified by reference numbers 6:1, 6:2, and 6:3. However, you may also order any part individually. Reference numbers of this type appear in illustration and in parts lists.

Reference Numbers Indicating Quantity

In an illustration, if a reference number indicates more than one part, the reference number has the form nX y. The n represents the quantity of the part, the X is the multiplication symbol, and the y represents the reference number.

For example, in an illustration, the reference number 2X 37 means that two of the parts identified by reference number 37 are indicated.

List of Abbreviations

AR: as required

ASM: assembly

BBC: blade brake control

BHTF: button head thread forming

CARR: carriage

CCW: counter clockwise

CW: clockwise

DEG: degrees

DPA: Dual Point Adjustment

ECM: electronic control module

EXT: external

FH: flat head

GA: gauge

HD: heavy-duty

HF: hex flange

HH: hex head

HHF: hex head flange

HHFTF: hex head flange thread forming

HJ: hex jam

HLH: hex lag head

HOC: height-of-cut

HP: high pressure

HSBH: hex socket button head

HSFH: hex socket flat head

HSH: hex socket head

HWH: hex washer head

HWHTF: hex washer head thread forming

HYD: hydraulic

LH: left hand

LP: low pressure

LPG: Liquefied Petroleum Gas

NI: nylon insert

NPTF: national pipe thread fine

PFH: phillips flat head

PPH: phillips pan head

PPHTF: phillips pan head thread forming

PRH: phillips round head

PTH: phillips truss head

PTO: power-take-off

RH: right hand

ROPS: roll-over protection system

RRB: rear roller brush

SFH: slotted fillister head

SHH: slotted hex head

SHWH: slotted hex washer head

SPH: slotted pan head

SQH: square head

SRH: slotted round head

STD: standard

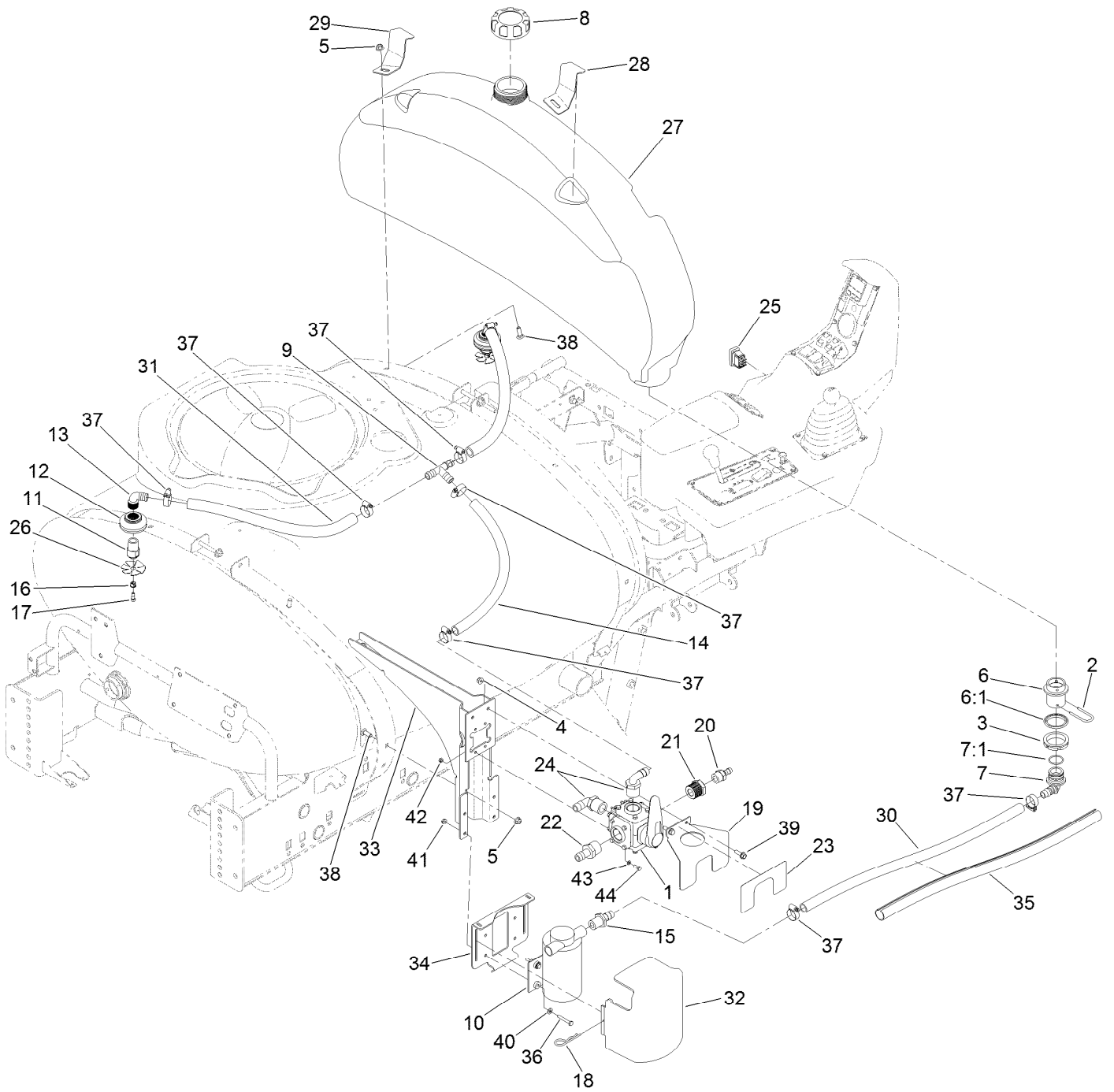
TAP: self tapping

TTH: torx truss head

Contents

EU Compliance Kit 4
Spray Gun and Pressure Filter Assembly 6
Spray Gun Assembly No. 120-8610 8
Pressure Filter Assembly No. 127-9721 10
Pressure Filter Assembly No. 127-9726 11

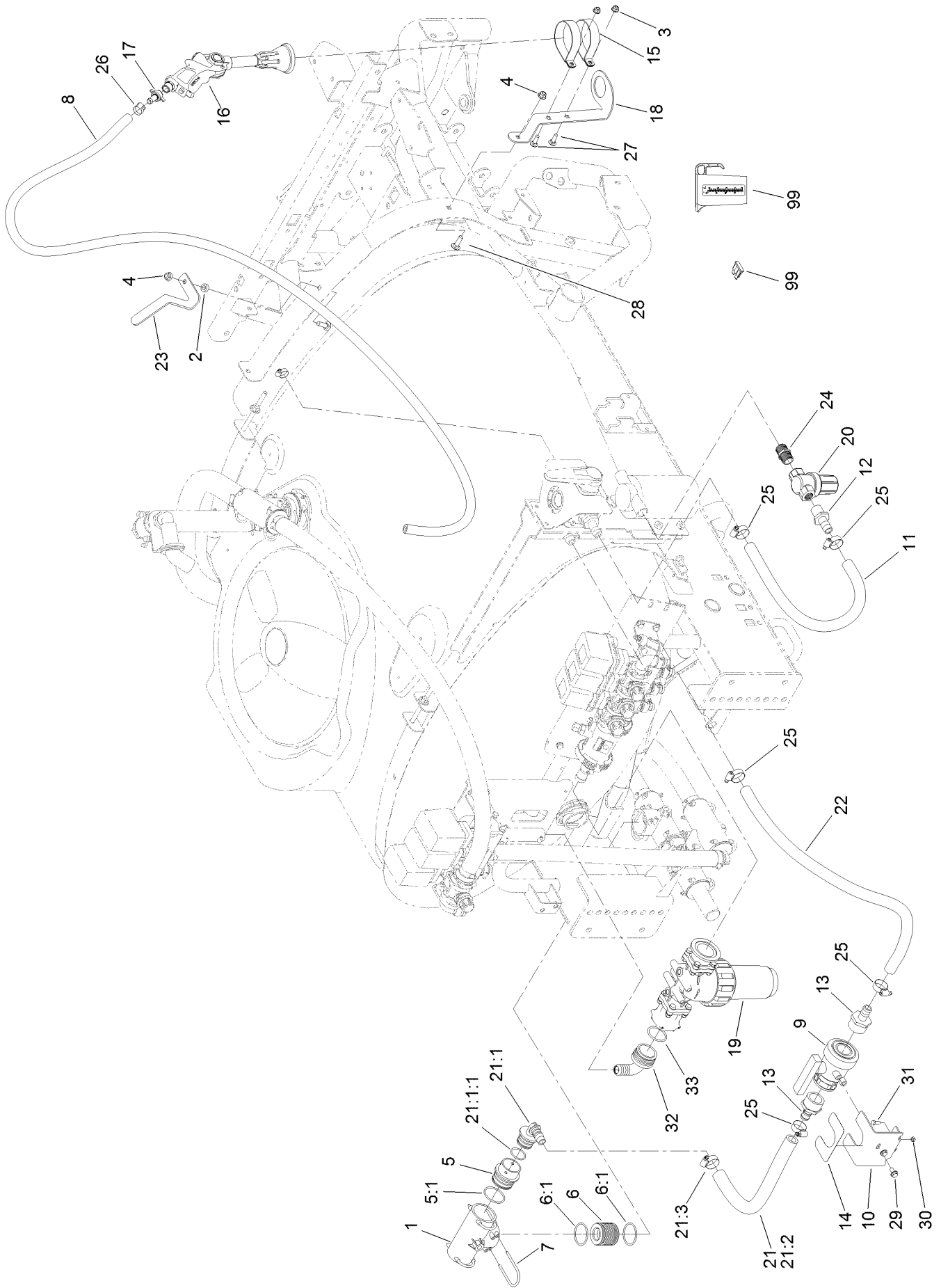
EU Compliance Kit



EU Compliance Kit (continued)

<i>Ref.</i>	<i>Part Number</i>	<i>Qty.</i>	<i>Description</i>	<i>Ref.</i>	<i>Part Number</i>	<i>Qty.</i>	<i>Description</i>
1	119-4980	1	Valve, 4-Way	23	120-0673	1	Decal-Selection
2	100-6708	1	Fork	24	120-0688	2	Hosebarb-90 DEG
3	100-6713	1	Nut-Bulkhead	25	120-0695	1	Switch-Rocker, 0N-Off-(On)
4	104-8300	2	Nut-Flange, NI	26	120-8635	2	Vain-Rinse
5	104-8301	3	Nut-Flange, NI	27	125-4072	1	Tank-Rinse, 17 Gallon
6	106-4896	1	Fitting-Bulkhead	28	125-4074-03	1	Bracket-Hold, Rinse Tank, RH
6:1	100-6710	1	Gasket-Bulkhead	29	125-4075-03	1	Bracket-Hold, Rinse Tank, LH
7	106-4940	1	Hosebarb-90 DEG	30	125-4148	1	Hose-Supply, Rinse
7:1	100-6712	1	O-Ring	31	125-4149	2	Hose-Supply, Rinse
8	107-8641	1	Cap-Water, Fresh	32	125-8085	1	Cover-Rinse Pump
9	108-3439	1	Tee	33	127-3900-03	1	Valve-Mount, Welded
10	117-7872	1	Pump-Rinse	34	127-9762-03	1	Bracket-Mount, Rinse Pump
11	119-0479	2	Nozzle-Rinse	35	107-8650	1	Conduit-Convolutd
12	119-0489	2	Bulkhead	36	321-10	4	Screw-HH
13	119-0490	2	Elbow-Hosebarb	37	2412-129	8	Clamp-Hose
14	119-0493	1	Hose-Supply, Rinse	38	3231-22	3	Screw-CARR
15	119-0496	1	Hosebarb	39	3234-17	2	Screw-HHF
16	119-0528	2	Bushing	40	3256-22	4	Washer-Flat
17	119-4881	2	Bolt-Shoulder	41	32128-33	4	Nut-HF
18	9335044	2	Pin-Hair	42	33023-00	4	Nut-Lock
19	120-0657-03	1	Bracket-Face Plate	43	33093-00	4	Washer-Flat
20	120-0668	1	Hosebarb	44	33113-016	4	Screw-HH
21	120-0669	1	Reducer				
22	120-0670	1	Hosebarb				

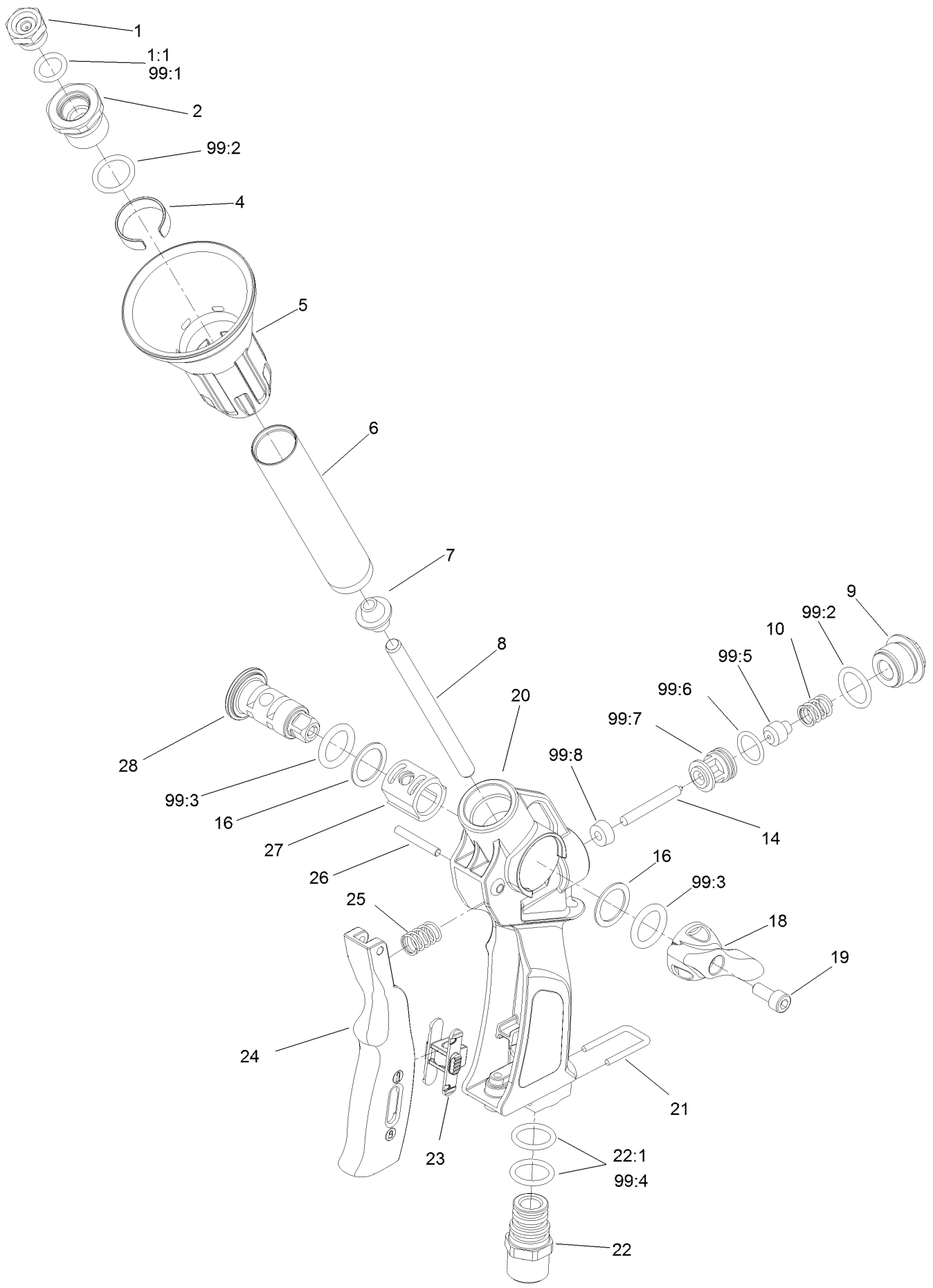
Spray Gun and Pressure Filter Assembly



Spray Gun and Pressure Filter Assembly (continued)

<i>Ref.</i>	<i>Part Number</i>	<i>Qty.</i>	<i>Description</i>	<i>Ref.</i>	<i>Part Number</i>	<i>Qty.</i>	<i>Description</i>
1	100-6704	1	Tee	20	127-9726	1	Pressure Filter ASM
2	104-1156	1	Spacer	21	127-9727	1	Eu Main Hose ASM
3	104-8300	2	Nut-Flange, NI	21:1	106-4940	1	Hosebarb-90 DEG
4	104-8301	2	Nut-Flange, NI	21:1:1	100-6712	1	O-Ring
5	106-4938	1	Reducer ASM	21:2	119-0493	1	Hose-Supply, Rinse
5:1	100-8637	1	O-Ring	21:3	2412-129	1	Clamp-Hose
6	106-4947	1	Connector	22	127-9728	1	Hose, Eu Supply
6:1	100-8637	2	O-Ring	23	127-9729-03	1	Mount-Hose
7	100-8635	3	Fork	24	127-9730	1	Nipple
8	107-8751	1	Hose-Spray Gun	25	2412-129	5	Clamp-Hose
9	108-0069	1	Valve-Ball	26	2412-36	2	Clamp-Hose
10	119-0442-03	1	Bracket-Ball Valve	27	3230-2	2	Bolt-CARR
11	119-0493	1	Hose-Supply, Rinse	28	3231-25	2	Bolt-CARR
12	119-0496	1	Hosebarb	29	3234-7	2	Screw-HHF
13	120-0652	2	Hosebarb	30	33023-00	2	Nut-Lock
14	120-0687	1	Decal-Rinse Flow	31	33113-016	2	Screw-HH
15	120-8592	2	Clamp-R	32	125-0691	1	Hosebarb-Elbow
16	120-8610	1	Spray Gun ASM	33	125-4117	1	O-Ring
17	121-4982	1	Hosebarb-Spray Gun	99	112-7929	1	Beaker-Plastic
18	125-8087-03	1	Bracket-Hand Spray Gun	99	99-6124	1	Fuse-Blade, 40 Amp
19	127-9721	1	Pressure Filter ASM				

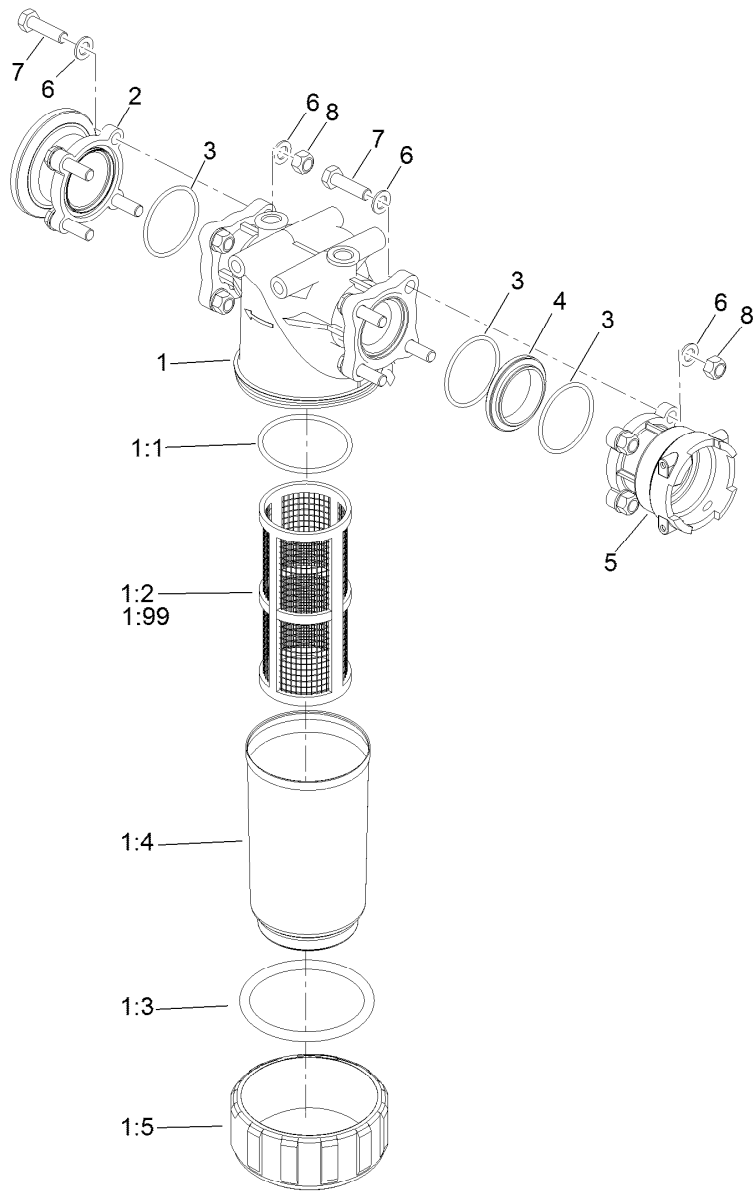
Spray Gun Assembly No. 120-8610



Spray Gun Assembly No. 120-8610 (continued)

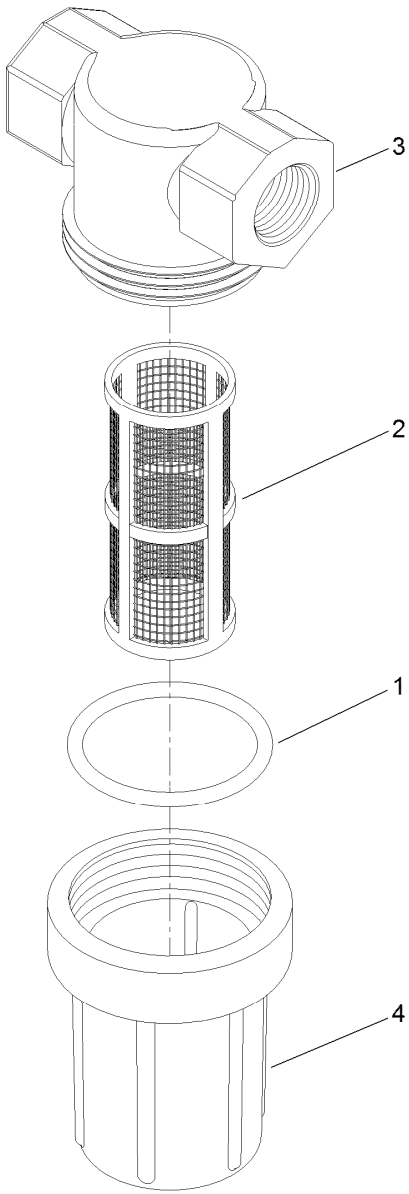
<i>Ref.</i>	<i>Part Number</i>	<i>Qty.</i>	<i>Description</i>	<i>Ref.</i>	<i>Part Number</i>	<i>Qty.</i>	<i>Description</i>
1	121-4950	1	Nozzle-2.3Mm	22:1	121-4972	2	O-Ring
1:1	121-4951	1	O-Ring	23	121-4974	1	Slide-Lever
2	121-4952	1	Head-Nozzle Holder	24	121-4975	1	Lever-Spraygun
4	121-4954	1	Ring-Spacer	25	121-4977	1	Spring
5	121-4955	1	Spreader-Micro Jet	26	121-4978	1	Pin-Lever
6	121-4956	1	Tube-Spray Gun	27	121-4979	1	Cover-Drum
7	121-4957	1	Conveyor-Inner	28	121-4980	1	Drum-Regulation
8	121-4958	1	Tube-Spray Gun, Inner	99	121-4981	1	Spray Gun Seal Kit ●
9	121-4959	1	Drum-Regulation	99:1	121-4951	1	O-Ring
10	121-4960	1	Spring-Spray Gun	99:2	121-4953	2	Gasket
14	121-4964	1	Pin-Hinge	99:3	121-4967	2	O-Ring
16	121-4966	2	Washer-Teflon	99:4	121-4972	2	O-Ring
18	121-4968	1	Lever-Drum, Spray Gun	99:5	121-4962	1	Plunger-Cone
19	121-4969	1	Screw	99:6	121-4961	1	O-Ring
20	121-4970	1	Grip-Spray Gun	99:7	121-4963	1	Box And Seat
21	121-4971	1	Fork	99:8	121-4965	1	Seal
22	121-4973	1	Hose-Tail				

● Not illustrated



Pressure Filter Assembly No. 127-9721

Ref.	Part Number	Qty.	Description
1	125-0693	1	Filter-Pressure
1:1	120-8695	1	O-Ring
1:2	120-8697	1	Element-Filter, 50 Mesh
1:3	120-8696	1	O-Ring
1:4	120-8693	1	Housing-Filter
1:5	120-8694	1	Flynut-Filter
1:99	120-8698	1	Element-Filter, 32 Mesh
1:99	120-8699	1	Element-Filter, 80 Mesh
2	117-7967	1	Flange-Female
3	119-4870	3	O-Ring
4	119-0463	1	Adapter-Male-Male
5	125-0692	1	Connector-Flange
6	119-4871	16	Washer
7	48-7730	8	Screw-Cap, HH
8	33024-00	8	Nut-Lock, NI



Pressure Filter Assembly No. 127-9726

<i>Ref.</i>	<i>Part Number</i>	<i>Qty.</i>	<i>Description</i>
1	127-9722	1	Seal-Filter
2	127-9723	1	Screen-Filter
3	127-9724	1	Head-Filter
4	127-9725	1	Body-Filter



Count on it.