



**Count on it.**

**Parts Catalog**

**Reelmaster® 7000-D 4-Wheel  
Drive Traction Unit**

Model No. 03781—Serial No. 315000001 and Up



# Ordering Replacement Parts

To order replacement parts, please supply the part number, the quantity, and the description of each part desired.

## Understanding Reference Numbers

Each identified part in an illustration has a reference number. The reference number for a part also appears in the parts list, along with other information about the part.

This catalog uses two special reference number formats, one to indicate parts in a service assembly and another to indicate the quantity of a given part in an illustration.

## Service Assembly Reference Numbers

Parts in service assemblies have reference numbers in the form a:b. The a represents the reference number of the entire service assembly and the b represents a sequential number unique to each part within the service assembly.

For example, a wheel assembly might be identified by reference number 6, the tire by 6:1, the valve by 6:2, and the wheel by 6:3. When you order the assembly identified by reference number 6, you receive all parts identified by reference numbers 6:1, 6:2, and 6:3. However, you may also order any part individually. Reference numbers of this type appear in illustration and in parts lists.

## Reference Numbers Indicating Quantity

In an illustration, if a reference number indicates more than one part, the reference number has the form nX y. The n represents the quantity of the part, the X is the multiplication symbol, and the y represents the reference number.

For example, in an illustration, the reference number 2X 37 means that two of the parts identified by reference number 37 are indicated.

# List of Abbreviations

**AR:** as required

**ASM:** assembly

**BBC:** blade brake control

**BHTF:** button head thread forming

**CARR:** carriage

**CCW:** counter clockwise

**CW:** clockwise

**DEG:** degrees

**DPA:** Dual Point Adjustment

**ECM:** electronic control module

**EXT:** external

**FH:** flat head

**GA:** gauge

**HD:** heavy-duty

**HF:** hex flange

**HH:** hex head

**HHF:** hex head flange

**HHFTF:** hex head flange thread forming

**HJ:** hex jam

**HLH:** hex lag head

**HOC:** height-of-cut

**HP:** high pressure

**HSBH:** hex socket button head

**HSFH:** hex socket flat head

**HSH:** hex socket head

**HWH:** hex washer head

**HWHTF:** hex washer head thread forming

**HYD:** hydraulic

**LH:** left hand

**LP:** low pressure

**LPG:** Liquefied Petroleum Gas

**NI:** nylon insert

**NPTF:** national pipe thread fine

**PFH:** phillips flat head

**PPH:** phillips pan head

**PPHTF:** phillips pan head thread forming

**PRH:** phillips round head

**PTH:** phillips truss head

**PTO:** power-take-off

**RH:** right hand

**ROPS:** roll-over protection system

**RRB:** rear roller brush

**SFH:** slotted fillister head

**SHH:** slotted hex head

**SHWH:** slotted hex washer head

**SPH:** slotted pan head

**SQH:** square head

**SRH:** slotted round head

**STD:** standard

**TAP:** self tapping

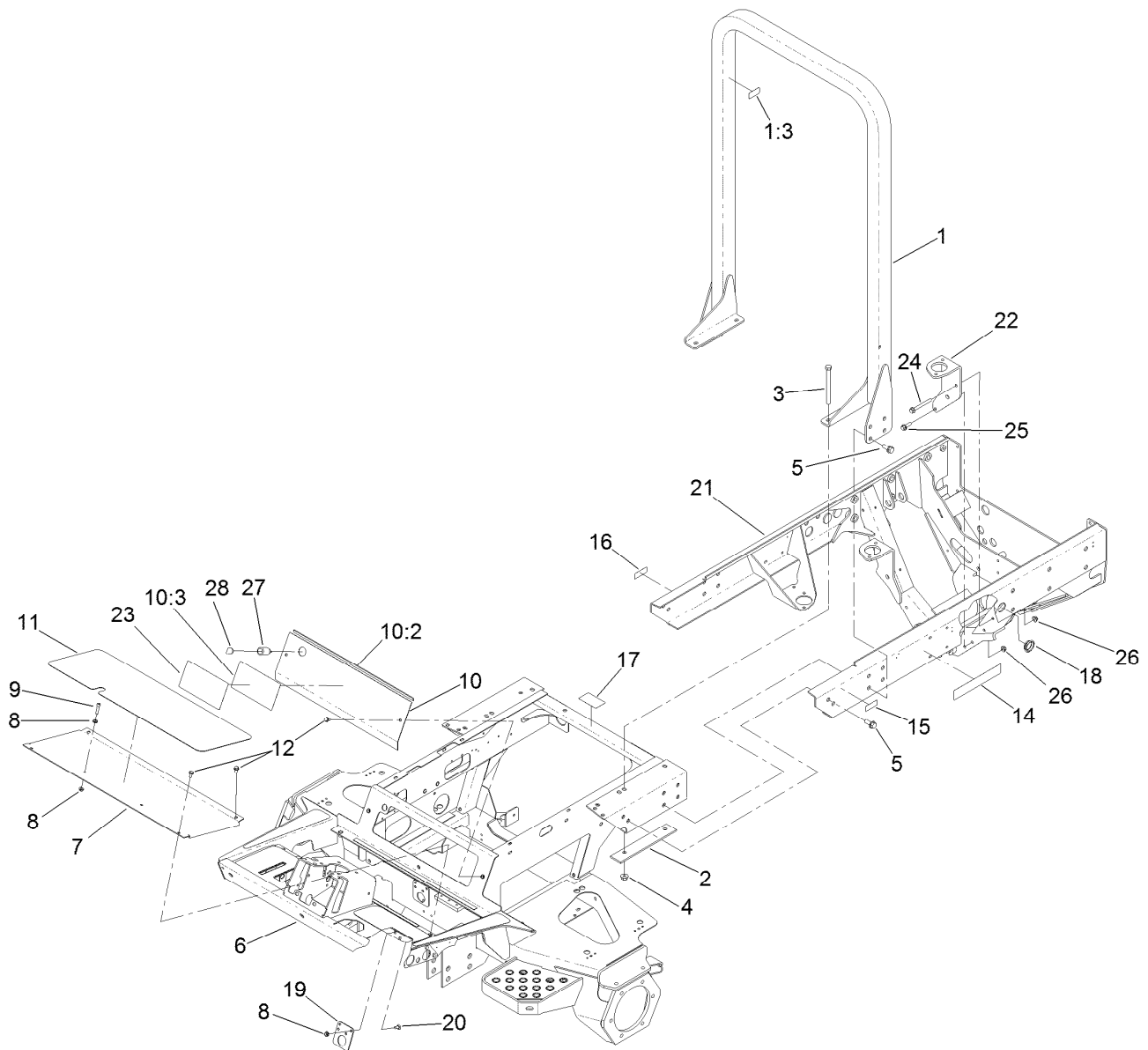
**TTH:** torx truss head

# Contents

Frame and Roll-Over Protection System Assembly .....	5
Front Frame Assembly No. 119-3872 .....	6
Front Shroud, Headlight and Roller Assembly .....	7
Engine and Flywheel Mounting Assembly .....	8
Engine and Air Cleaner Assembly .....	9
Air Cleaner Assembly No. 99-5410 .....	11
Radiator Mounting Assembly .....	12
Radiator and Fan Assembly .....	13
Hydraulic Motor Assembly No. 117-4769 .....	14
Front Reel Lift Assembly .....	15
Gear Motor Assembly No. 115-8250 .....	17
Hydraulic Cylinder Assembly No. 125-1658 .....	18
Hydraulic Cylinder Assembly No. 125-1660 .....	19
Rear Reel Lift Assembly .....	20
Hydraulic Cylinder Assembly No. 125-1659 .....	22
Hydraulic Tank Assembly .....	23
Fuel System Assembly .....	24
Battery and Storage Box Assembly .....	25
Battery Storage Box Assembly No. 115-9100 .....	26
Storage Box Assembly No. 115-9101 .....	27
Seat Mount Assembly .....	28
Seat Mount Assembly .....	29
Air Ride Seat Suspension Assembly No. 108-1488 .....	30
Vinyl Premium Seat Assembly No. 117-5676 .....	32
Control Console Assembly .....	33
Joystick Bracket Assembly No. 120-5280 .....	34
Steering and Pedals Assembly .....	35
Steering Tilt Column Assembly No. 106-3622 .....	37
Steering Valve Assembly No. 114-8119 .....	38
Forward/Reverse Pedal Assembly .....	39
Hood Assembly .....	40
Front Traction Assembly .....	41
RH Brake Assembly No. 100-3069 .....	42
LH Brake Assembly No. 100-3070 .....	43
Planetary Assembly No. 105-4500-03 .....	44
Hydraulic Piston Motor Assembly .....	45
Rear Traction Assembly .....	46
Bevel Pinion Shaft Assembly Rear Axle Assembly No. 110-4750 .....	48
Differential Assembly Rear Axle Assembly No. 110-4750 .....	49
Axle Support Assembly Rear Axle Assembly No. 110-4750 .....	50
Bevel Gear Case Assembly Rear Axle Assembly No. 110-4750 .....	51
Bevel Gear Shaft Assembly Rear Axle Assembly No. 110-4750 .....	52
Axle Case Assembly Rear Axle Assembly No. 110-4750 .....	53
Axle Assembly Rear Axle Assembly No. 110-4750 .....	54
Steer Cylinder Assembly No. 119-3903 .....	55
Piston Motor Assembly No. 121-3101 .....	56
Hydraulic Pump Assembly .....	57
Piston Pump Assembly No. 114-4188 .....	58
Control Assembly No. 115-4446 .....	60
Four Section Pump Assembly No. 114-4189 .....	61
Hydraulic System Componets Assembly .....	62
Mow Manifold Assembly No. 130-1656 .....	64
Manifold Mow Block Assembly .....	65
Lift Manifold Assembly No. 130-1669 .....	66

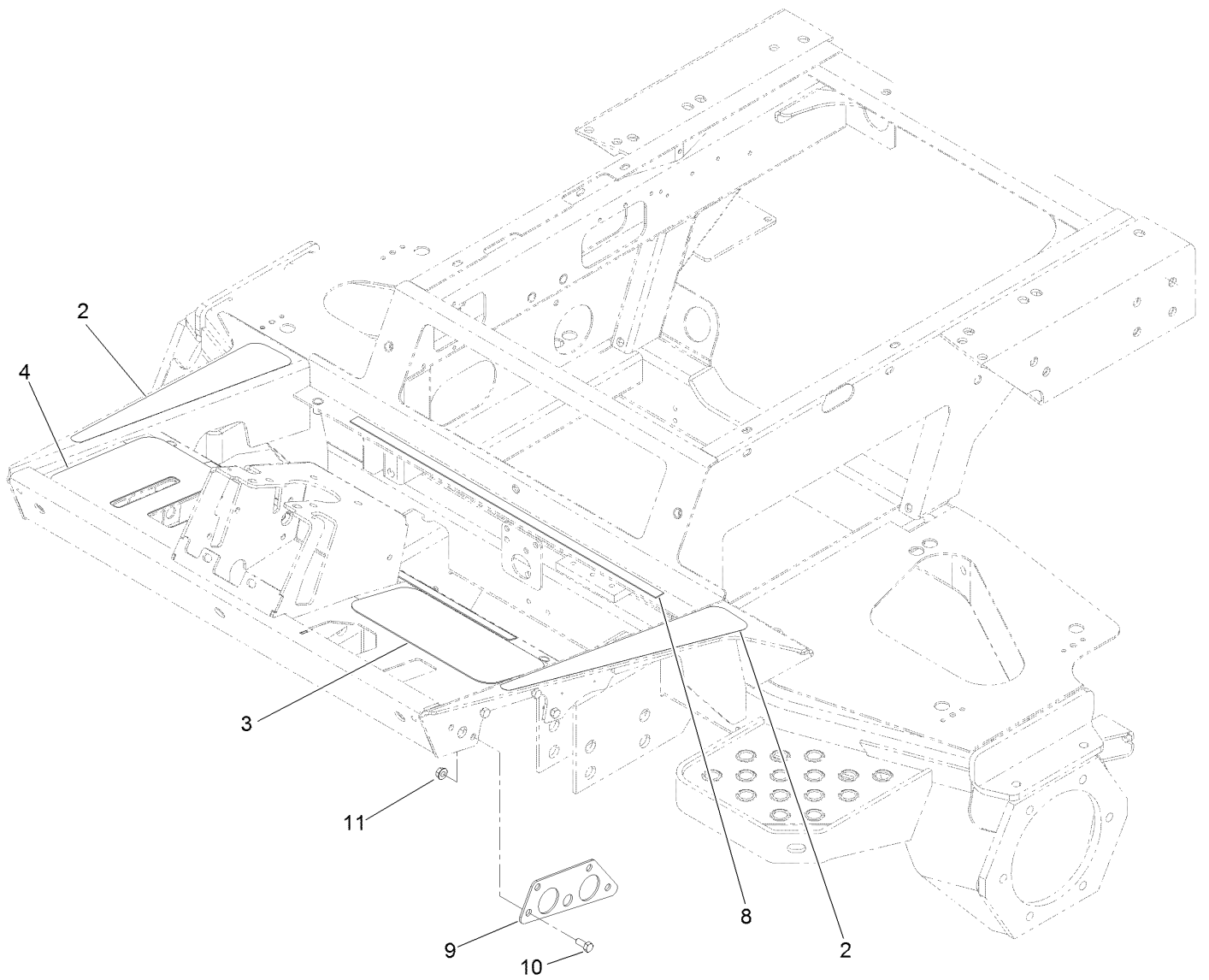
# Contents (continued)

Juction Manifold Assembly No. 130-1670 .....	67
Fan Drive Manifold Assembly No. 119-3943 .....	68
3 Way Valve Manifold Assembly No. 121-3077 .....	69
Rear Traction Manifold Assembly No. 121-3078 .....	70
Traction Hydraulic Circuit Assembly .....	71
Steering Hydraulic Circuit Assembly .....	73
Fan Drive Hydraulic Circuit Assembly .....	74
Lift Circuit Hydraulic Assembly .....	75
Hydraulic Mow Circuit Assembly .....	76
Front Mow Circuit Hydraulic Assembly .....	77
Rear Hydraulic Mow Circuit Assembly .....	78
Main Electrical Assembly .....	79
Battery and Engine Electrical Assembly .....	80
Crankcase Assembly .....	81
Oil Pan Assembly .....	82
Cylinder Head Assembly .....	83
Gear Case Assembly .....	84
Cylinder Head Cover Assembly .....	85
Oil Pump Assembly .....	86
Dipstick and Guide Assembly .....	87
Main Bearing Case Assembly .....	88
Cam Shaft and Idle Gear Assembly .....	89
Piston and Crankshaft Assembly .....	90
Flywheel Assembly .....	91
Fuel Camshaft and Governor Shaft Assembly .....	92
Idle Apparatus and Stop Solenoid Assembly .....	93
Injection Pump Assembly .....	94
Governor Assembly .....	95
Speed Control Plate Assembly .....	96
Nozzle Holder and Glow Plug Assembly .....	97
Alternator and Pulley Assembly .....	98
Alternator Component Part Assembly .....	99
Starter Assembly .....	100
Starter Components Assembly .....	101
Water Flange and Thermostat Assembly .....	102
Water Pump Assembly .....	103
Valve and Rocker Arm Assembly .....	104
Inlet and Exhaust Manifold Assembly .....	105
Muffler Gasket and Operator Manual .....	106
Attachments and Accessories .....	107



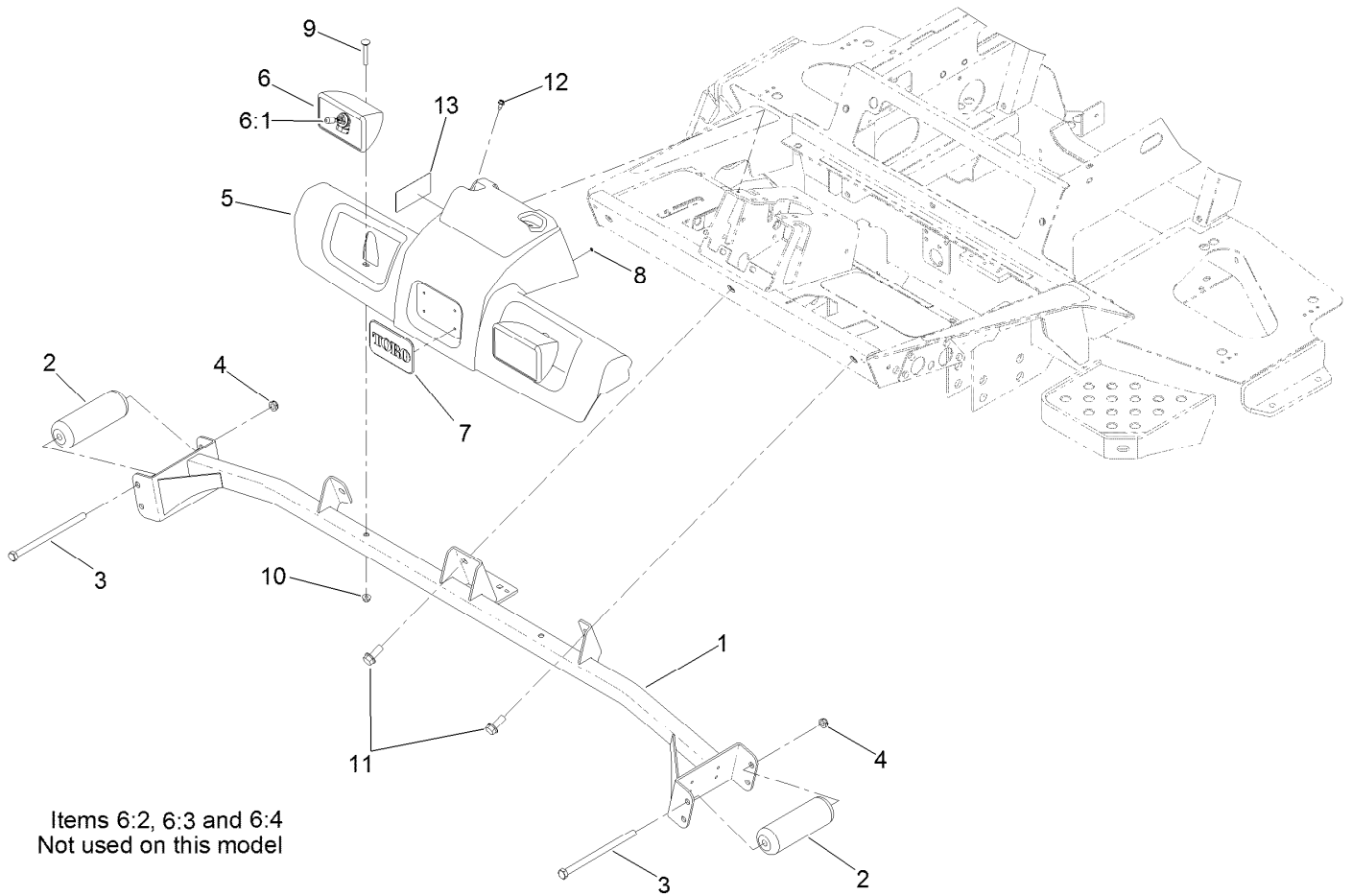
## Frame and Roll-Over Protection System Assembly

<i>Ref.</i>	<i>Part Number</i>	<i>Qty.</i>	<i>Description</i>	<i>Ref.</i>	<i>Part Number</i>	<i>Qty.</i>	<i>Description</i>
1	108-4018	1	ROPS ASM	14	72-3560	2	Decal
1:3	98-4387	1	Decal-Protection, Ear	15	93-6680	1	Decal-Diesel
2	104-5584-03	2	Plate-Reinforcement, ROPS	16	93-6686	1	Decal-Oil, HYD
3	325-20	4	Screw-HH	17	100-6574	1	Decal-Warning
4	32128-49	4	Nut-HHF	18	105-9194	4	Plug
5	3234-38	12	Screw-HHF	19	104-5516-01	1	Support-Tube
6	130-1617	1	Front Frame ASM	20	3230-23	2	Screw-CARR
7	75-1410-01	1	Plate-Access, Floor	21	130-1601-03	1	Rear Frame ASM
8	32128-20	4	Nut-HF	22	130-1605-03	1	Bracket-Mount, Engine, LH
9	3274-18	1	Screw-HSH	23	120-1686	1	Decal-Danger, Ce
10	130-1659	1	Access Plate ASM	24	116-4701	1	Screw-HHF
10:2	105-9860	2	Seal-Foam	25	3234-24	1	Screw-HHF
10:3	120-1683	1	Decal-Danger	26	104-8301	2	Nut-Flange, NI
11	75-0630	1	Tread-Foot, Center	27	99-7411	1	Point-Power
12	3234-7	6	Screw-HHF	28	99-7416	1	Cap



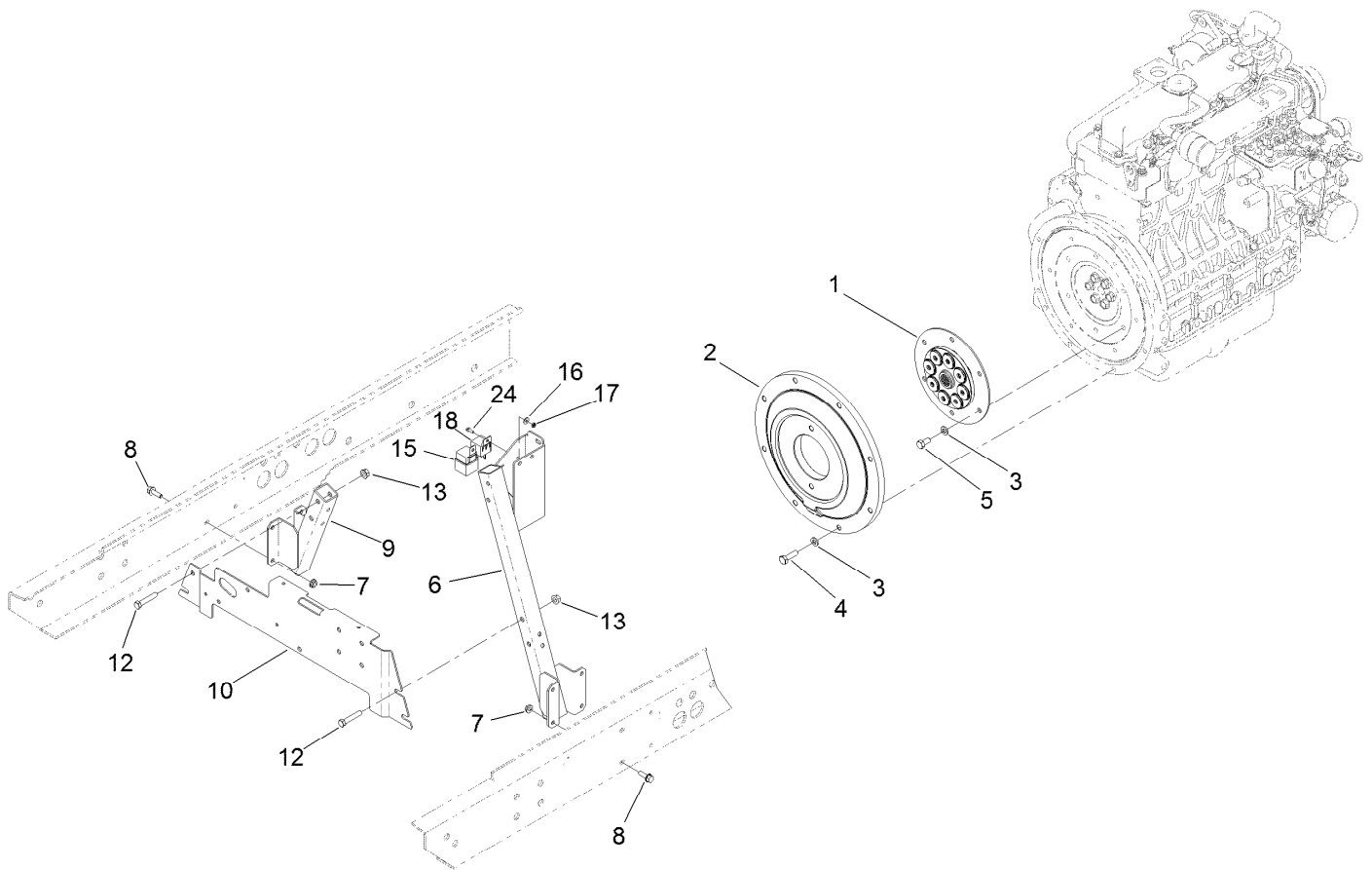
## Front Frame Assembly No. 119-3872

<i>Ref.</i>	<i>Part Number</i>	<i>Qty.</i>	<i>Description</i>
2	93-7592	2	Tread-Rest, Foot
3	75-0620	1	Tread-Foot, LH
4	119-1497	1	Tread-Foot, RH
8	105-9860	2	Seal-Foam
9	106-7794-01	2	Plate-Mount, HYD Fitting
10	322-3	8	Screw-HH
11	32128-20	8	Nut-HF



## Front Shroud, Headlight and Roller Assembly

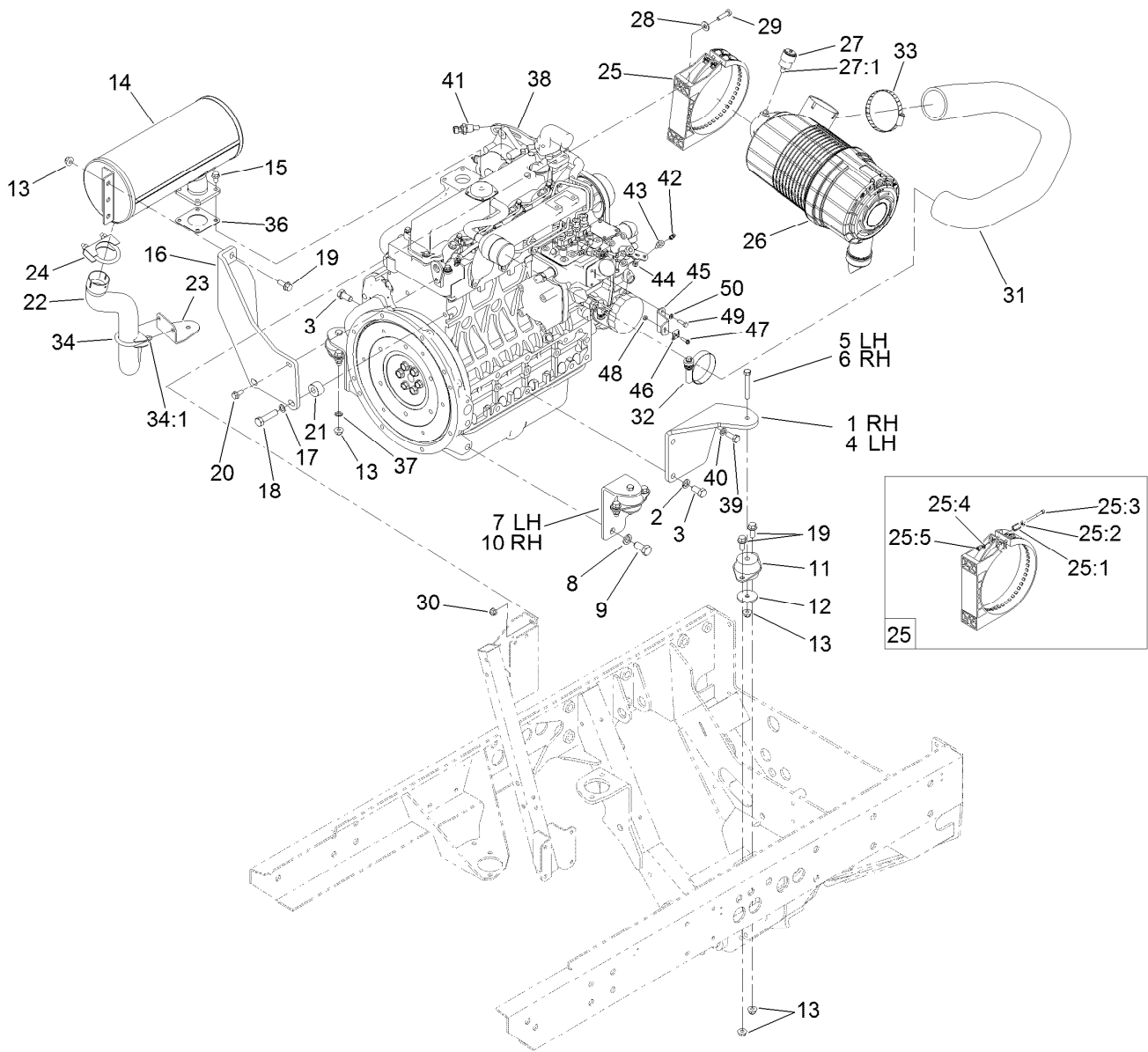
<i>Ref.</i>	<i>Part Number</i>	<i>Qty.</i>	<i>Description</i>	<i>Ref.</i>	<i>Part Number</i>	<i>Qty.</i>	<i>Description</i>
1	125-1663-01	1	Support-Roller	6:4	3217-6	1	Nut-Hex
2	31-0750	2	Roller-Front	7	93-6028	1	Plate-Logo
3	325-42	2	Screw-HH	8	3254-9	4	Washer-Lock, Internal
4	3296-45	2	Nut-Lock, NI	9	3230-7	2	Bolt-CARR
5	115-9137	1	Shroud-Platform	10	104-8300	2	Nut-Flange, NI
6	94-9024	2	Lamp ASM	11	3234-38	3	Screw-HHF
6:1	95-0909	1	Lamp-12 Volt	12	32104-17	2	Screw-HWH
6:2	3230-28	1	Screw-CARR	13	120-1670	1	Decal-Mow Speed
6:3	3253-33	1	Washer-Lock				



## Engine and Flywheel Mounting Assembly

Ref.	Part Number	Qty.	Description
1	114-3848	1	Coupler-Spring, Flywheel
2	115-6657-03	1	Plate-Flywheel
3	107-1413	14	Washer-Hardened
4	117-5663	8	Screw-HH
5	99-5130	6	Bolt
6	119-1549-03	1	A/C Bracket ASM
7	32128-20	8	Nut-HF
8	3234-29	8	Screw-HHF
9	104-5420-03	1	Support-Battery

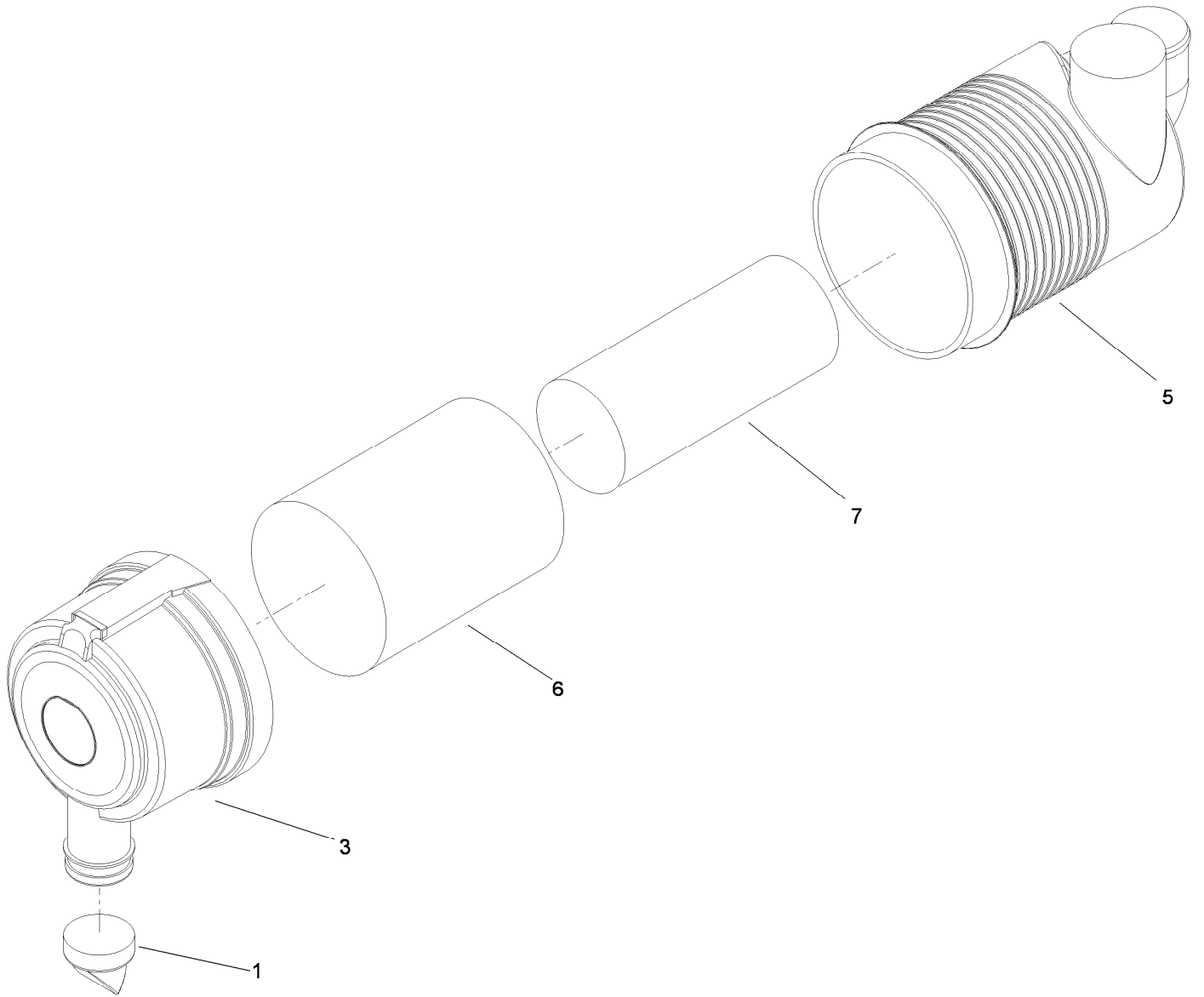
Ref.	Part Number	Qty.	Description
10	114-8134-03	1	Bracket-Support
12	323-10	4	Screw-HH
13	32128-21	4	Nut-HF
15	99-7430	1	Relay
16	3256-49	2	Washer-Flat
17	3296-54	2	Nut-Lock
18	99-7435	1	Relay-Power
24	112-3169	2	Screw-HHF, Serrated



## Engine and Air Cleaner Assembly

Ref.	Part Number	Qty.	Description	Ref.	Part Number	Qty.	Description
1	130-1603-03	1	Mount-Engine, Rear RH	22	119-3880	1	Tailpipe
2	48-8070	5	Washer-Lock	23	120-1692-03	1	Bracket-Muffler
3	42-9250	5	Bolt	24	18-2130	1	Clamp
4	114-3817-03	1	Mount-Engine, LH	25	99-5414	1	Strap-Cleaner, Air
5	323-13	3	Screw-HH	25:1	108-1512	2	Spring
6	323-14	1	Screw-HH	25:2	3256-22	2	Washer-Flat
7	130-1606-03	1	Mount-Engine, Front LH	25:3	33113-050	2	Screw-HH
8	43-5950	4	Washer-Lock, Spring	25:4	33093-00	2	Washer-Flat
9	43-3210	4	Screw-HH	25:5	33023-00	2	Nut-Lock
10	130-1604-03	1	Mount-Engine, Front RH	26	99-5410	1	Air Cleaner ASM
11	53-9682	4	Mount-Engine	27	104-3563	1	Indicator
12	63-7400	4	Washer-Rebound	27:1	94-1416	1	Adapter-Indicator
13	104-8301	14	Nut-Flange, NI	28	3256-3	2	Washer-Flat
14	119-3860	1	Muffler	29	322-6	2	Screw-HH
15	33104-016	4	Screw-HHF	30	104-8300	2	Nut-Flange, NI
16	120-1697-03	1	Muffler Bracket ASM	31	119-1452	1	Hose-Air Cleaner
17	112-6957	2	Washer-Hardened	32	2412-42	1	Clamp-Hose
18	120-1698	2	Screw-HH	33	2412-110	1	Clamp-Hose
19	3234-11	10	Screw-HHF	34	2112-6	1	Clamp-Muffler
20	98-7977	1	Screw-HHF	34:1	3218-2	2	Nut-Jam
21	120-1699	2	Spacer	36	100-9333	1	Gasket-Muffler

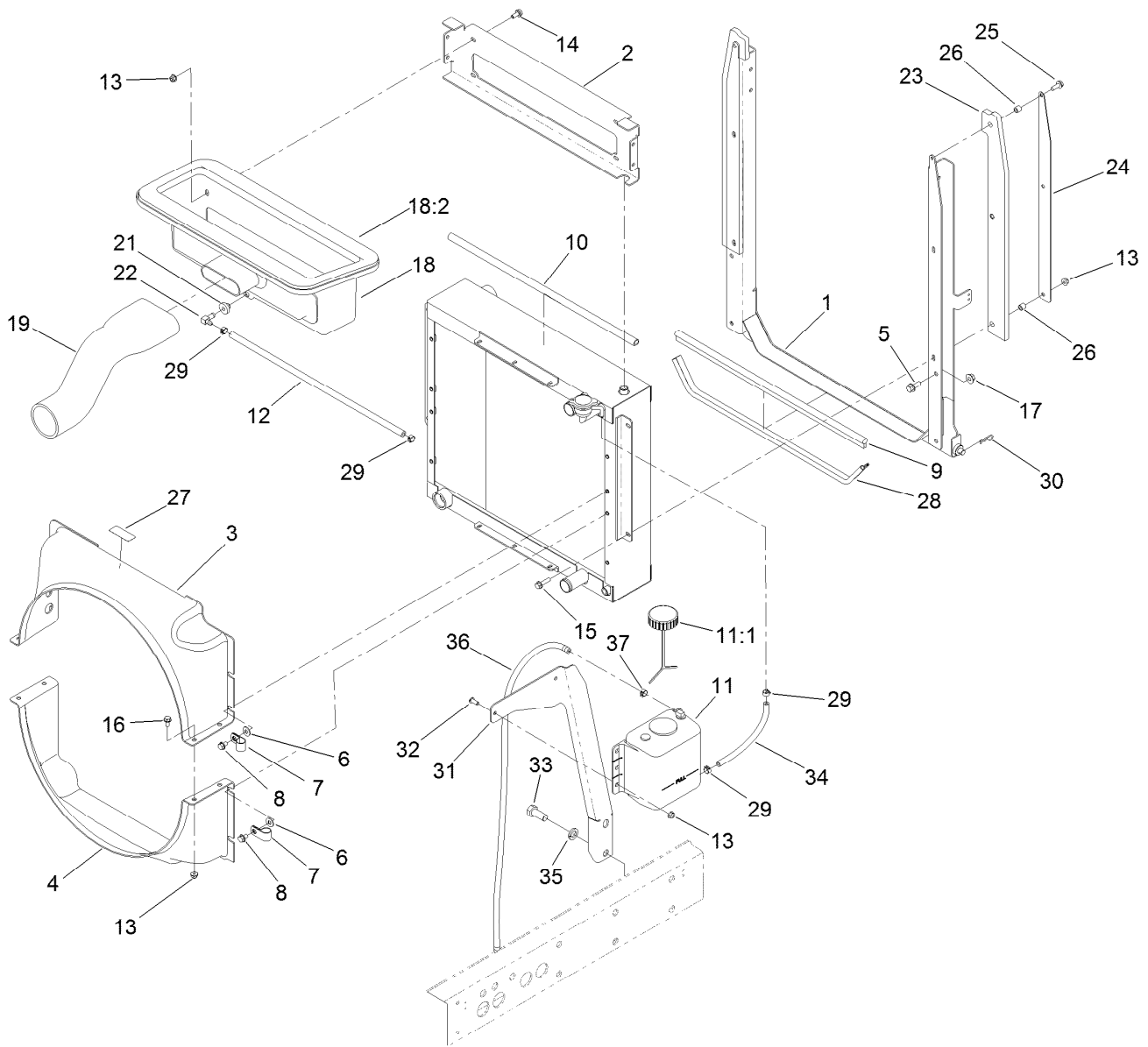




## Air Cleaner Assembly No. 99-5410

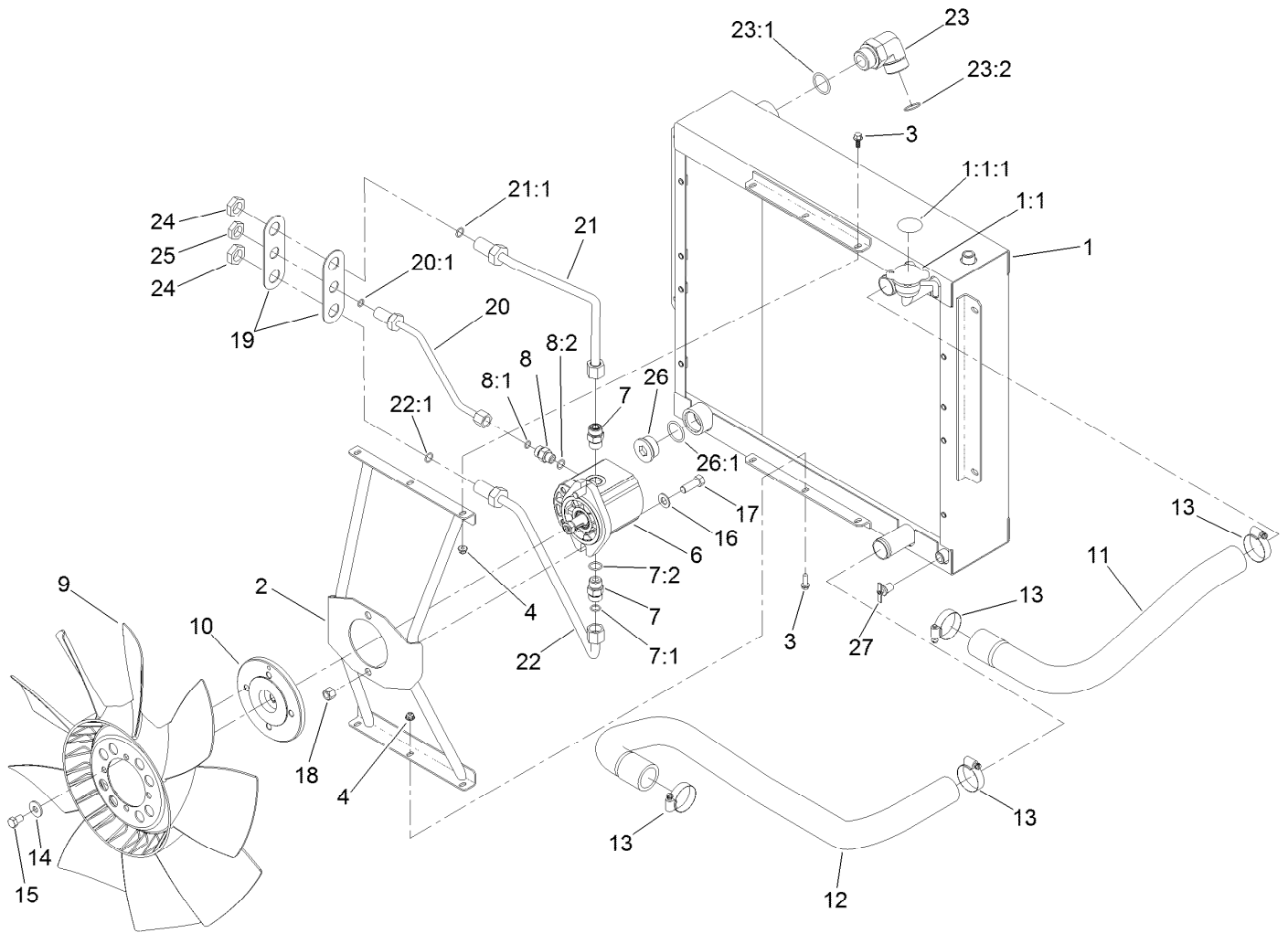
<i>Ref.</i>	<i>Part Number</i>	<i>Qty.</i>	<i>Description</i>
1	104-4258	1	Valve-Vacuator
3	104-4259	1	Cover
5		1	Body ASM ●
6	108-3814	1	Filter-Air
7	108-3816	1	Filter-Air

● Not serviced separately



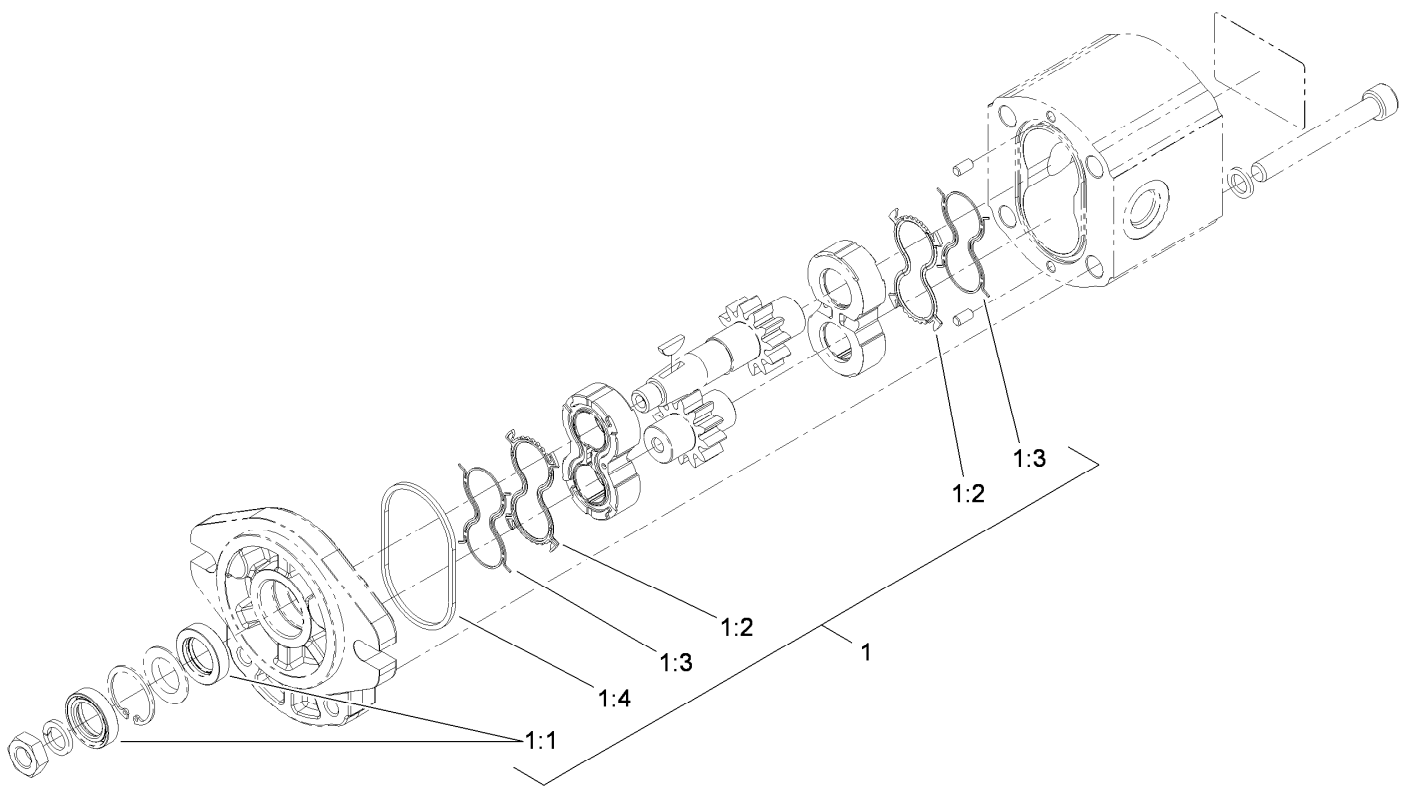
## Radiator Mounting Assembly

Ref.	Part Number	Qty.	Description	Ref.	Part Number	Qty.	Description
1	121-3084-03	1	Mount-Radiator	18:2	115-4393	1	Seal-Plenum
2	121-3085-03	1	Plate-Crossover	19	114-4152	1	Hose-Air Cleaner
3	125-4615	1	Shroud-Radiator, Upper	21	46-6560	1	Bushing
4	121-3106	1	Shroud-Radiator, Lower	22	46-6550	1	Fitting-Elbow, 90 DEG
5	3234-11	4	Screw-HHF	23	121-3087	2	Seal-Foam, Hood
6	3256-3	8	Washer-Flat	24	121-3086-03	2	Bracket-Seal, Hood
7	2412-81	2	Clamp-R	25	32144-41	2	Screw-Taptite
8	3234-30	8	Screw-HHF	26	1-603903	6	Spacer
9	105-9858	1	Seal-Bulb	27	117-4766	1	Decal-Warning, Fan
10	114-3828	1	Seal-Bulb	28	117-4782	1	Seal-Bulb
11	120-5571	1	Coolant Reservoir ASM	29	92-2379	4	Clamp-Hose
11:1	87-7050	1	Cap-Reservoir	30	3290-467	2	Pin-Hair
12	110-3258	1	Hose-Fuel	31	125-4609-03	1	Bracket-Tank, Mount
13	104-8300	18	Nut-Flange, NI	32	3274-55	2	Screw-HSBH
14	3234-47	8	Screw-HHF	33	327-4	2	Screw-HH
15	3234-36	4	Screw-HHF	34	109-0282	1	Hose-Fuel
16	3234-7	4	Screw-HHF	35	3253-8	2	Washer-Lock
17	32128-43	4	Nut-Flange	36	109-0273	1	Hose-Fuel
18	115-4363	1	Plenum ASM	37	92-2379	1	Clamp-Hose



## Radiator and Fan Assembly

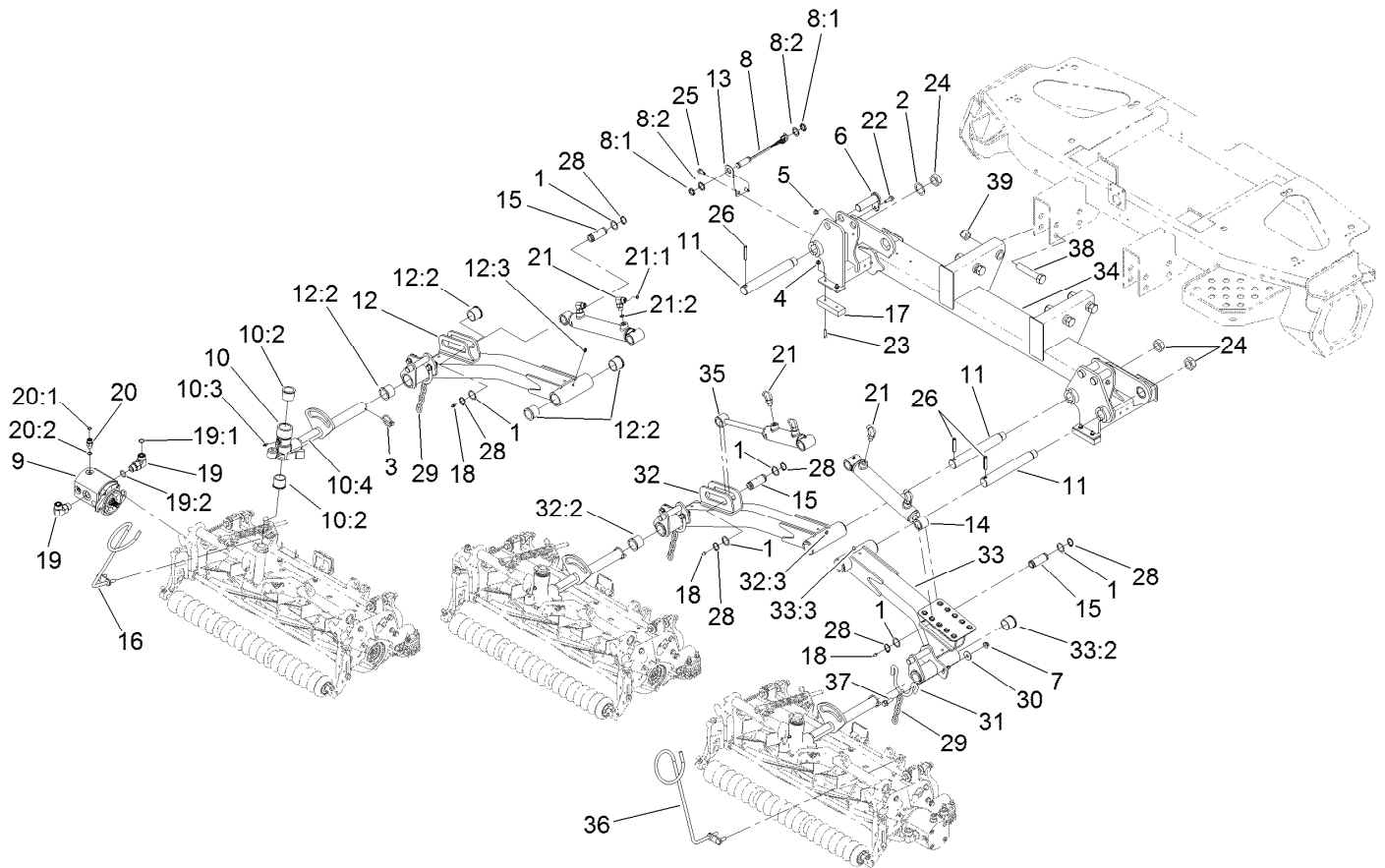
Ref.	Part Number	Qty.	Description	Ref.	Part Number	Qty.	Description
1	121-3080	1	Radiator/Oil Cooler	15	115-8486	4	Screw-HH
1:1	115-7766	1	Cap-Radiator	16	3256-25	2	Washer-Flat
1:1:1	106-6755	1	Decal-Cap, Radiator	17	324-5	2	Screw-HH
2	120-8935-03	1	Bracket-Fan	18	3296-48	2	Nut-Lock, NI
3	99-6810	6	Screw-HHF	19	125-4610	2	Shim-Support
4	104-7201	6	Nut-HF	20	125-4598	1	Tube ASM
6	117-4769	1	HYD Motor ASM	20:1	237-22	1	O-Ring
7	340-4	2	Fitting-HYD, Straight	21	125-4598	1	Tube ASM
7:1	237-30	1	O-Ring	21:1	237-30	1	O-Ring
7:2	237-79	1	O-Ring	22	125-4597	1	Tube ASM
8	340-2	1	Fitting-HYD, Straight	22:1	237-30	1	O-Ring
8:1	237-22	1	O-Ring	23	340-129	2	Fitting-HYD, 90
8:2	237-42	1	O-Ring	23:1	237-146	1	O-Ring
9	114-3825	1	Fan	23:2	340-65	1	O-Ring
10	117-2364	1	Hub-Fan	24	340-127	2	Nut-Bulkhead
11	130-1608	1	Hose-Radiator, Upper	25	340-70	1	Nut-Lock
12	130-1609	1	Hose-Radiator, Lower	26	105-3921	1	Fitting-Plug
13	2412-111	4	Clamp	26:1	237-146	1	O-Ring
14	80-6990	4	Washer-Hardened	27	304-46	1	Draincock



## Hydraulic Motor Assembly No. 117-4769

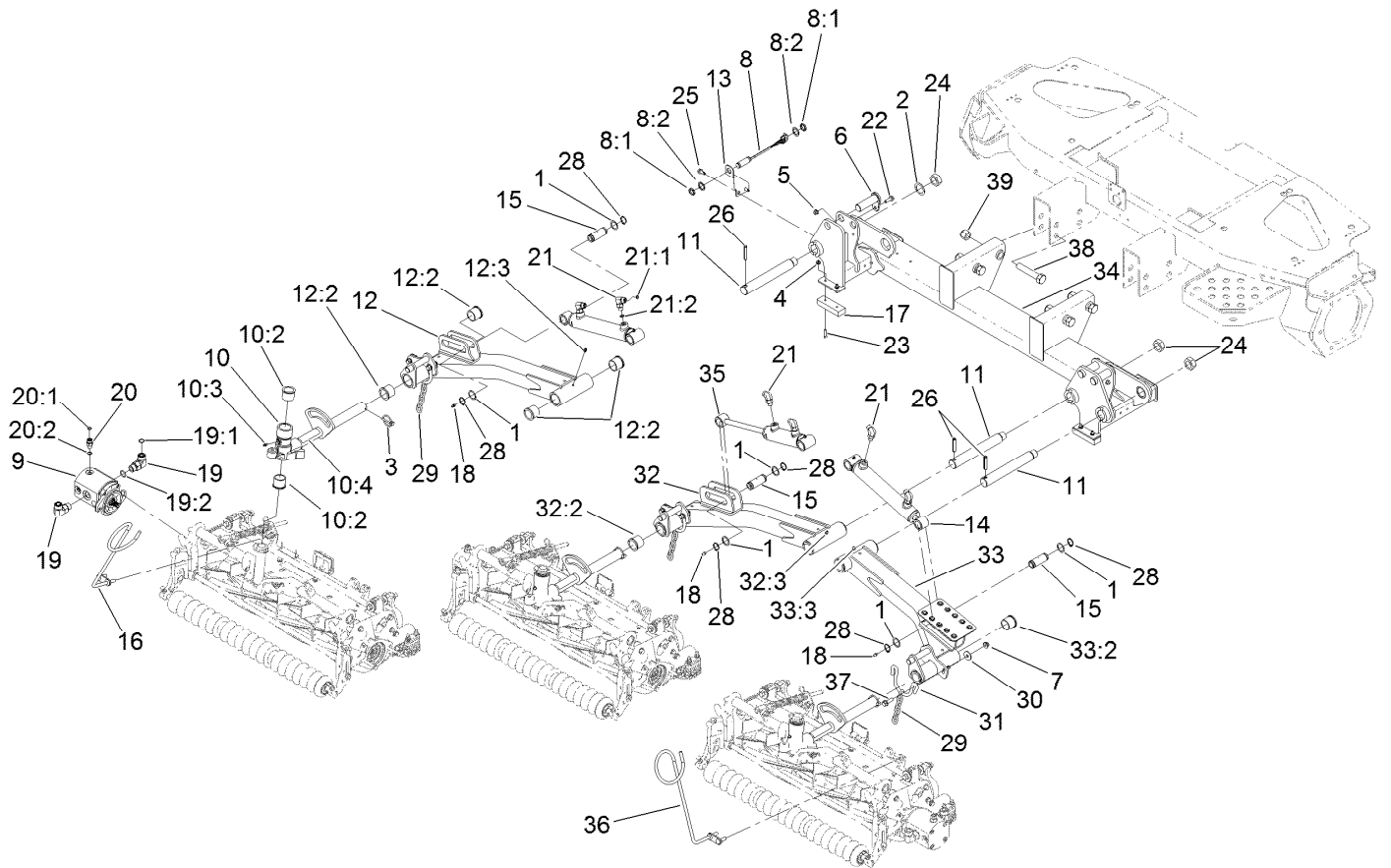
<i>Ref.</i>	<i>Part Number</i>	<i>Qty.</i>	<i>Description</i>
1	115-4110	1	Seal Kit
1:1		2	Seal-Shaft ●
1:2		2	Seal-Plate, Balancing ●
1:3		2	Seal-Anti Extrusion ●
1:4		2	O-Ring (Housing) ●

● Not serviced separately



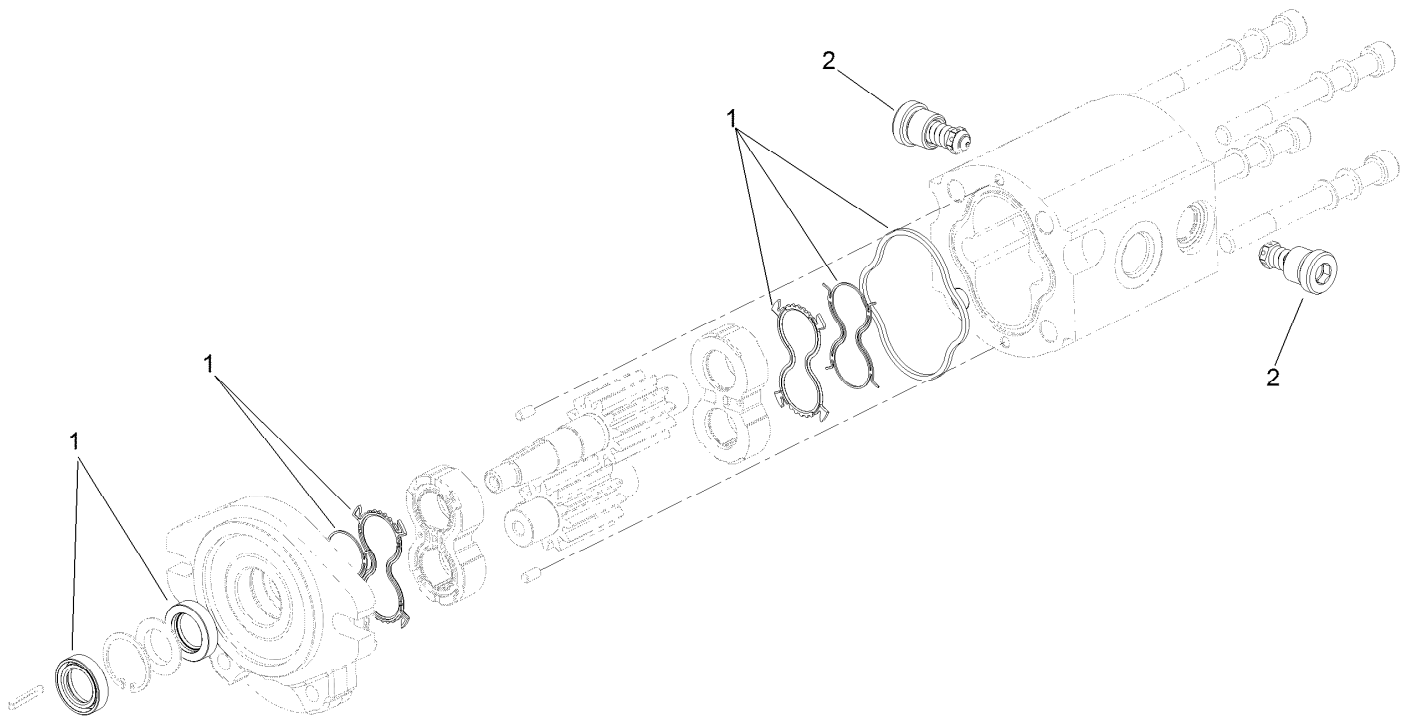
## Front Reel Lift Assembly

Ref.	Part Number	Qty.	Description	Ref.	Part Number	Qty.	Description
1	5-1550	6	Washer	15	119-3894	3	Pin-Plain
2	76-2980	6	Washer-Thrust	16	119-3920	1	Guide-Hose, RH
3	92-1298	3	Pin-Lynch	17	125-1657	2	Bumper-Pad, Recessed
4	104-7201	4	Nut-HF	18	302-5	3	Fitting-Grease
5	104-8300	3	Nut-Flange, NI	19	340-17	6	Fitting-HYD, 90 DEG
6	125-1906	3	Pin-Cylinder	19:1	237-65	1	O-Ring
7	104-8301	6	Nut-Flange, NI	19:2	237-80	1	O-Ring
8	115-5300	1	Proximity Switch ASM	20	340-2	3	Fitting-HYD, Straight
8:1	117-3207	2	Nut-Hex	20:1	237-22	1	O-Ring
8:2	117-3208	2	Washer-Lock, Internal Tooth	20:2	237-42	1	O-Ring
9	115-8250	3	Gear Motor ASM	21	340-77	6	Fitting-HYD, 90 DEG
10	117-0954	3	Pivot Yoke ASM	21:1	237-22	1	O-Ring
10:2	104-0015	2	Bushing-Flange	21:2	237-42	1	O-Ring
10:3	302-5	1	Fitting-Grease	22	3234-17	3	Screw-HHF
10:4	110-9642	1	Decal-Warning	23	3274-9	4	Screw-HSH
11	119-1499	3	Pin-Pivot	24	3296-49	3	Nut-Lock, NI
12	119-1505	1	#5 Lift Arm ASM	25	32104-32	2	Screw-HWH
12:2	104-0015	4	Bushing-Flange	26	32121-110	3	Pin-Roll, Slotted
12:3	302-5	2	Fitting-Grease	28	32151-36	6	Ring-Retaining
13	119-1506	1	Bracket-Switch	29	5-1096	3	Chain-Lift
14	125-1660	2	Cylinder-HYD	30	63-8410	6	Washer



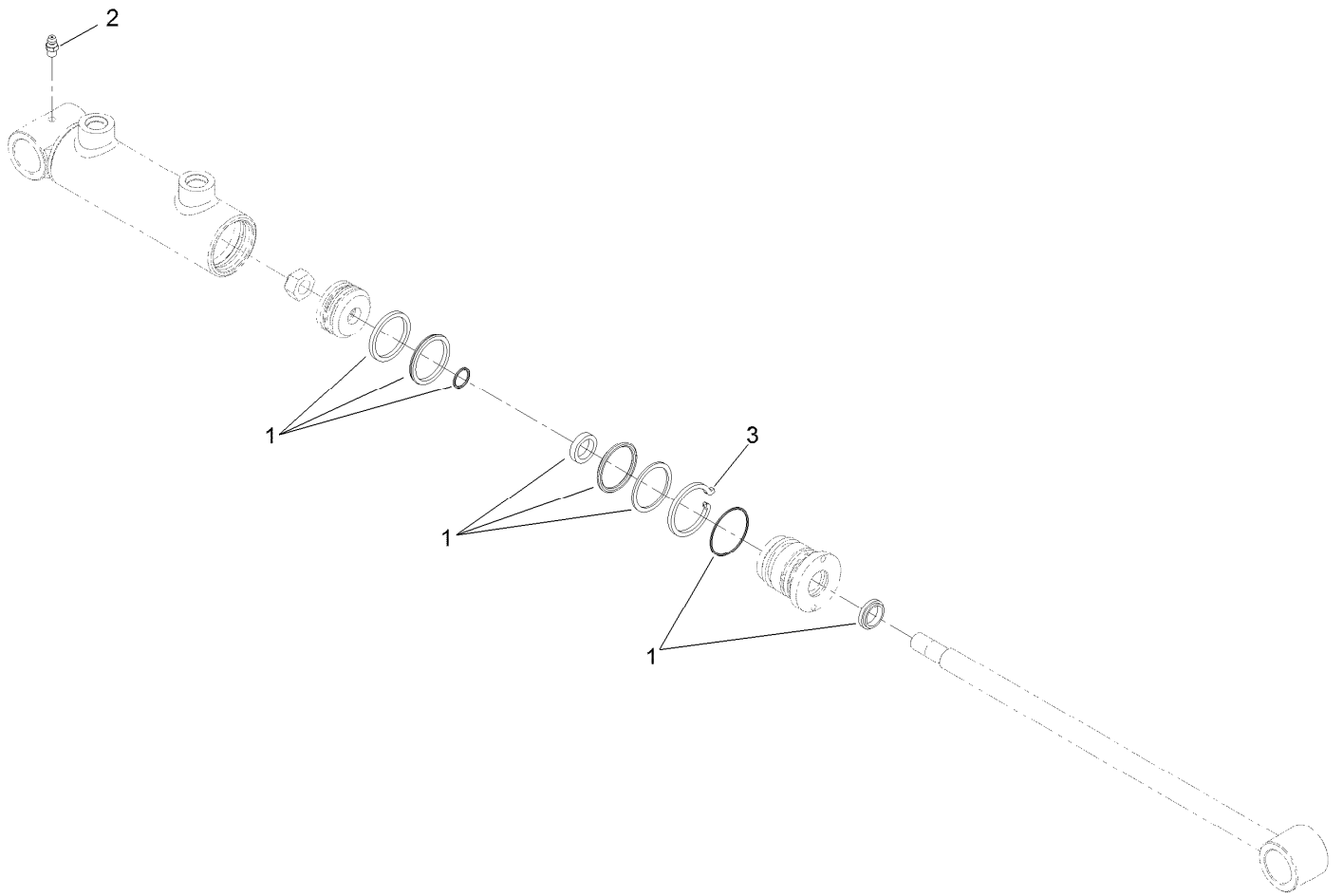
## Front Reel Lift Assembly (continued)

<i>Ref.</i>	<i>Part Number</i>	<i>Qty.</i>	<i>Description</i>	<i>Ref.</i>	<i>Part Number</i>	<i>Qty.</i>	<i>Description</i>
31	110-0922	3	Hoop-Chain	34	119-1508-03	1	Front Carrier Frame ASM
32	119-1501	1	#1 Lift Arm ASM	35	125-1658	1	Cylinder-HYD
32:2	104-0015	4	Bushing-Flange	36	119-3921	1	Guide-Hose, LH
32:3	302-5	2	Fitting-Grease	37	119-4061	6	Screw-HHF
33	119-1504	1	#4 Lift Arm ASM	38	328-7	4	Screw-HH
33:2	104-0015	4	Bushing-Flange	39	3296-51	4	Nut-Lock, NI
33:3	302-5	2	Fitting-Grease				



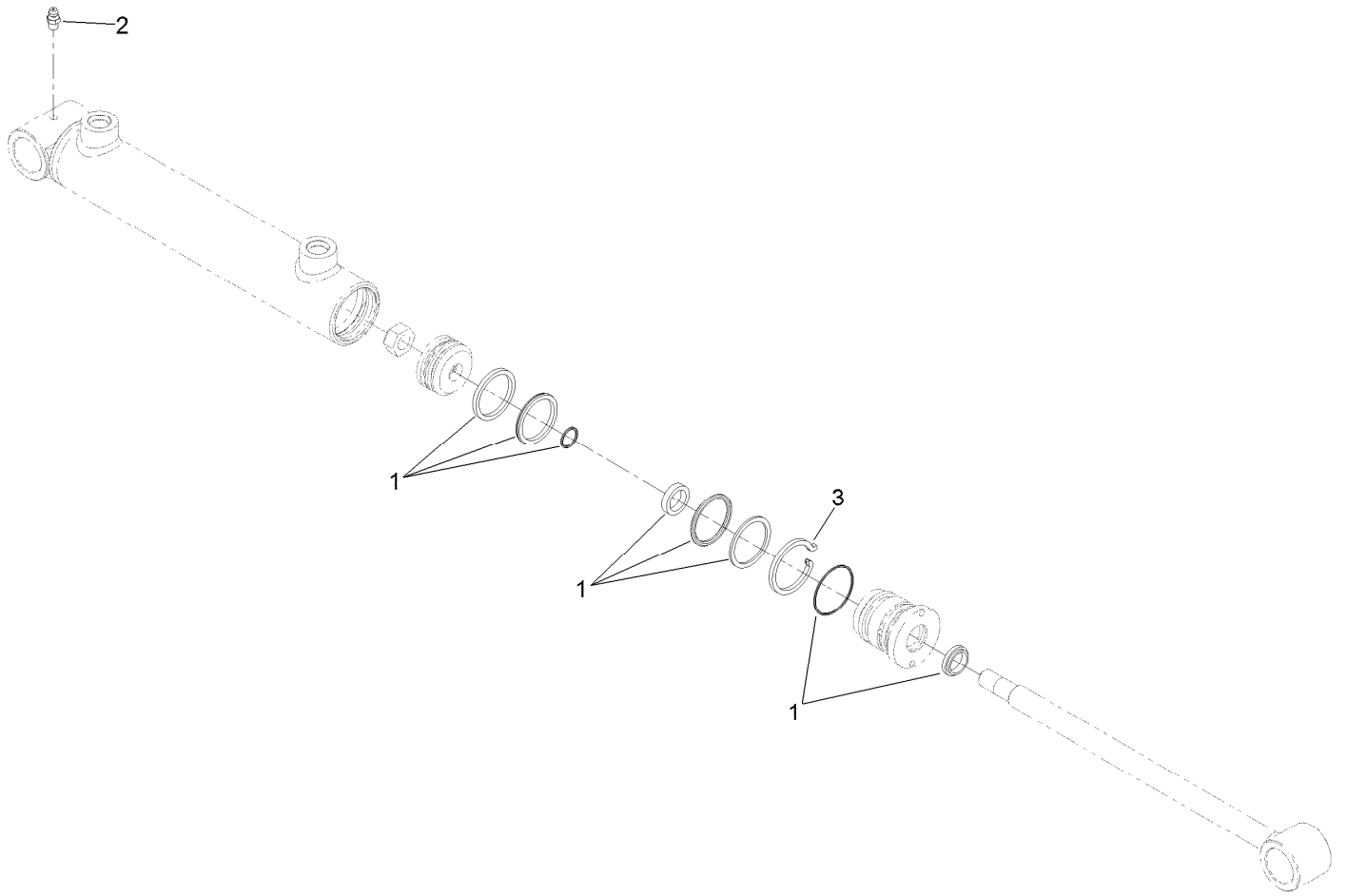
## Gear Motor Assembly No. 115-8250

<i>Ref.</i>	<i>Part Number</i>	<i>Qty.</i>	<i>Description</i>
1	125-1682	1	Motor Seal Kit
2	117-5107	2	Valve-Check



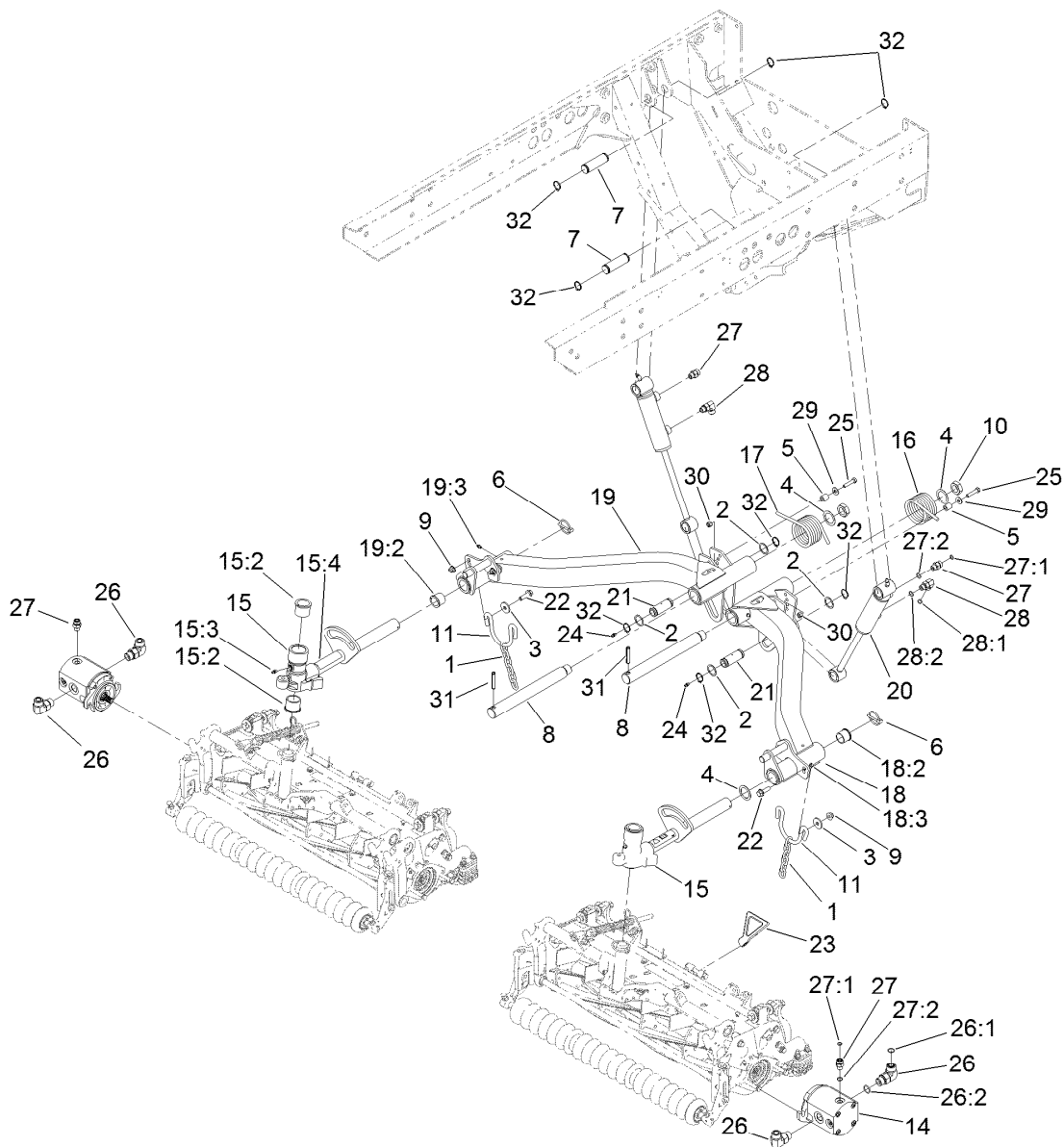
## Hydraulic Cylinder Assembly No. 125-1658

<i>Ref.</i>	<i>Part Number</i>	<i>Qty.</i>	<i>Description</i>
1	125-1680	1	Cylinder Repair Kit
2	302-5	1	Fitting-Grease
3	84-1680	1	Ring-Retaining



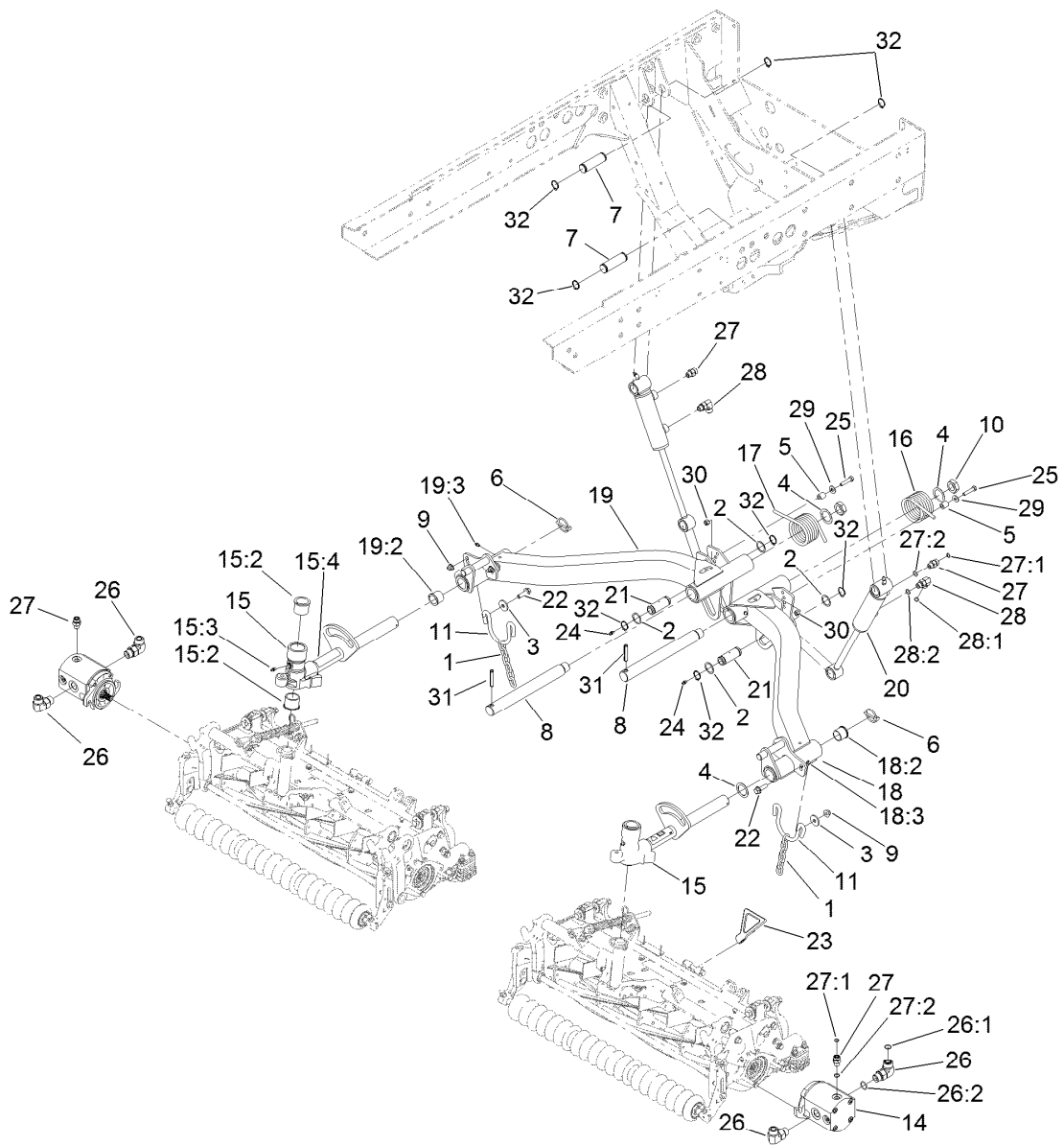
## Hydraulic Cylinder Assembly No. 125-1660

<i>Ref.</i>	<i>Part Number</i>	<i>Qty.</i>	<i>Description</i>
1	125-1680	1	Cylinder Repair Kit
2	302-5	1	Fitting-Grease
3	84-1680	1	Ring-Retaining



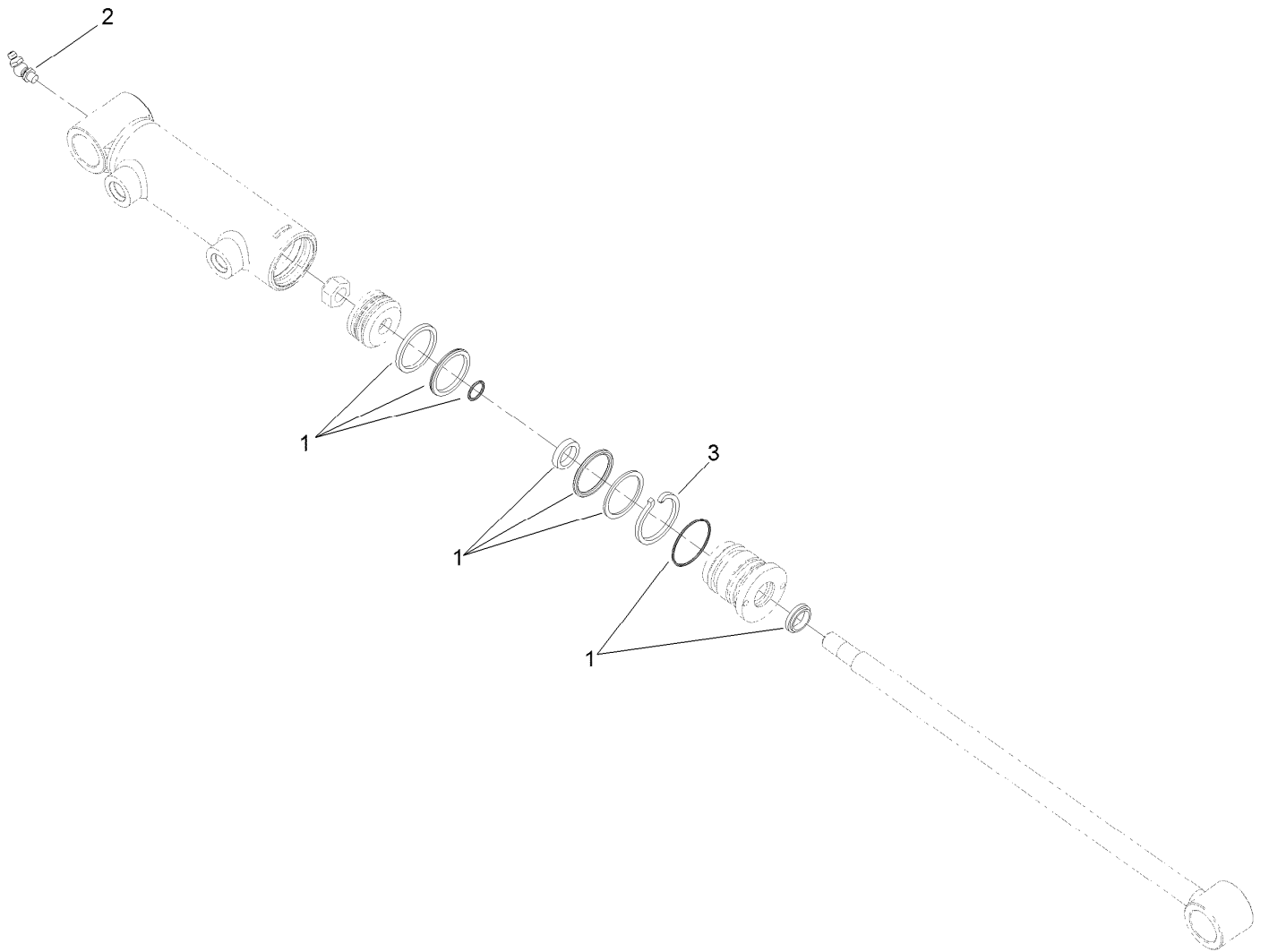
## Rear Reel Lift Assembly

Ref.	Part Number	Qty.	Description	Ref.	Part Number	Qty.	Description
1	5-1096	2	Chain-Lift	19	119-1503	1	#3 Lift Arm ASM
2	5-1550	4	Washer	19:2	104-0015	4	Bushing-Flange
3	63-8410	4	Washer	19:3	302-5	2	Fitting-Grease
4	76-2980	4	Washer-Thrust	20	125-1659	2	Cylinder-HYD
5	82-6840	2	Spacer	21	119-3894	2	Pin-Plain
6	92-1298	2	Pin-Lynch	22	119-4061	4	Screw-HHF
7	92-7548	2	Pin-Cylinder	23	119-8010	1	Kickstand-Cu
8	95-7158	2	Pin-Pivot	24	302-5	2	Fitting-Grease
9	104-8301	4	Nut-Flange, NI	25	322-7	2	Screw-HH
10	3296-49	2	Nut-Lock, NI	26	340-17	4	Fitting-HYD, 90 DEG
11	110-0922	2	Hoop-Chain	26:1	237-65	1	O-Ring
14	115-8250	2	Gear Motor ASM	26:2	237-80	1	O-Ring
15	117-0954	2	Pivot Yoke ASM	27	340-2	4	Fitting-HYD, Straight
15:2	104-0015	2	Bushing-Flange	27:1	237-22	1	O-Ring
15:3	302-5	1	Fitting-Grease	27:2	237-42	1	O-Ring
15:4	110-9642	1	Decal-Warning	28	340-77	2	Fitting-HYD, 90 DEG
16	119-1480	1	Spring-Torsion, LH	28:1	237-22	1	O-Ring
17	119-1481	1	Spring-Torsion, RH	28:2	237-42	1	O-Ring
18	119-1502	1	#2 Lift Arm ASM	29	3256-3	2	Washer-Flat
18:2	104-0015	4	Bushing-Flange	30	3296-29	2	Nut-Lock, NI
18:3	302-5	2	Fitting-Grease				



## Rear Reel Lift Assembly (continued)

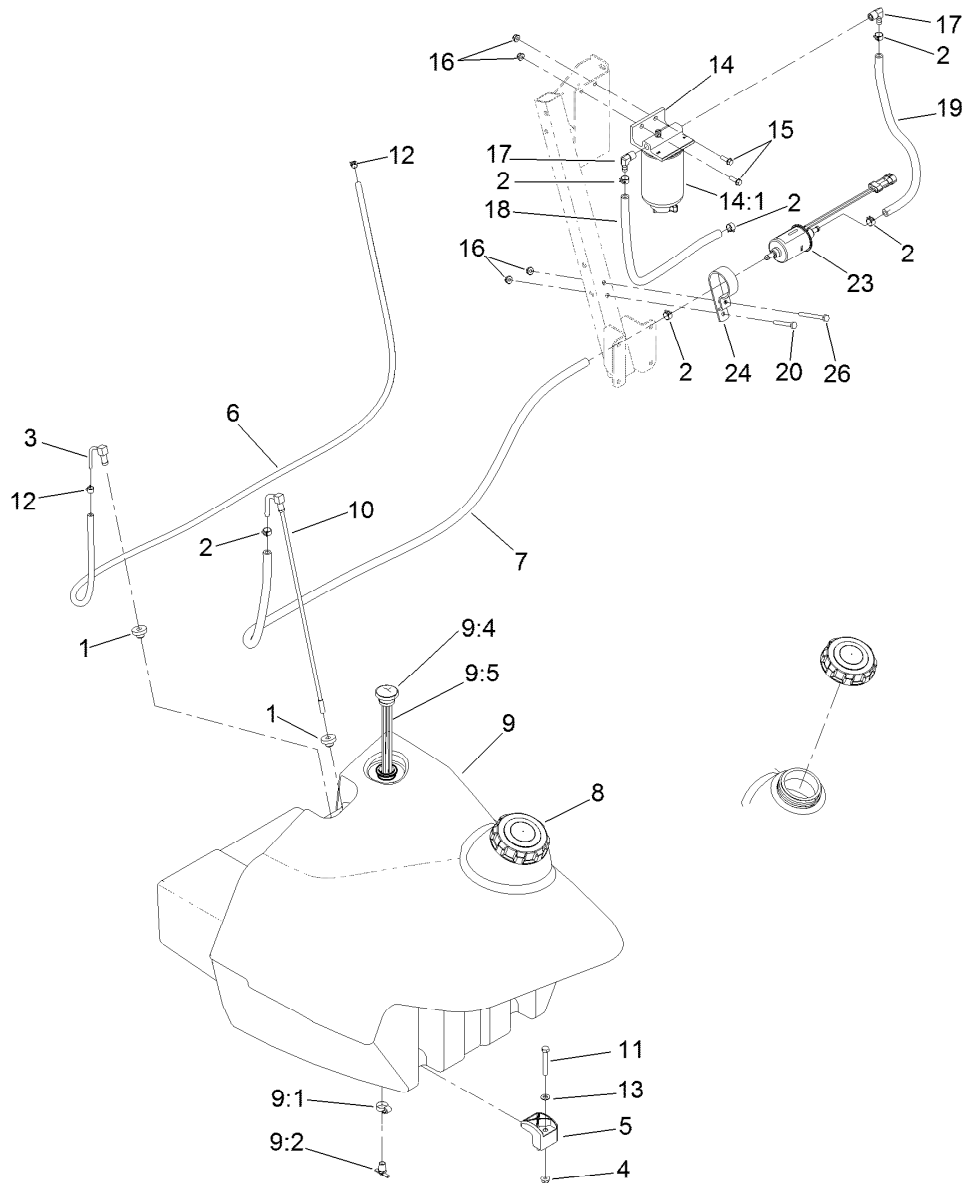
<i>Ref.</i>	<i>Part Number</i>	<i>Qty.</i>	<i>Description</i>
31	32121-110	2	Pin-Roll, Slotted
32	32151-36	8	Ring-Retaining



## Hydraulic Cylinder Assembly No. 125-1659

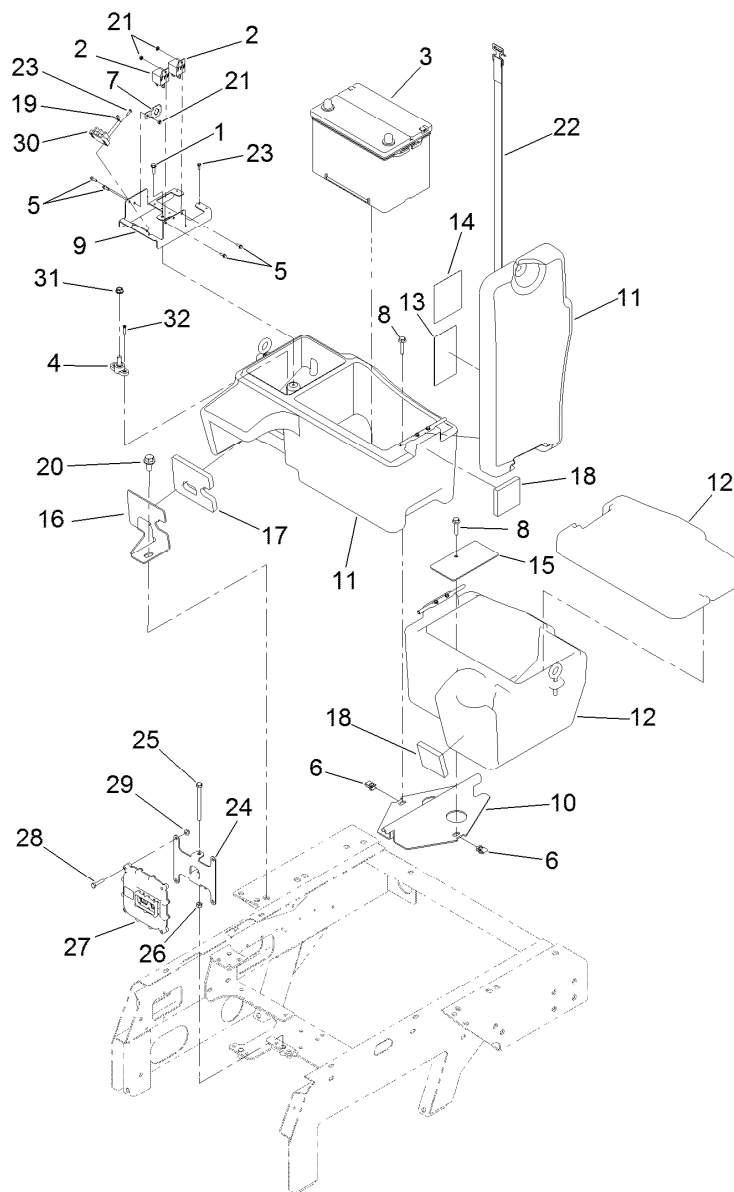
<i>Ref.</i>	<i>Part Number</i>	<i>Qty.</i>	<i>Description</i>
1	125-1680	1	Cylinder Repair Kit
2	302-10	1	Fitting-Grease
3	84-1680	1	Ring-Retaining





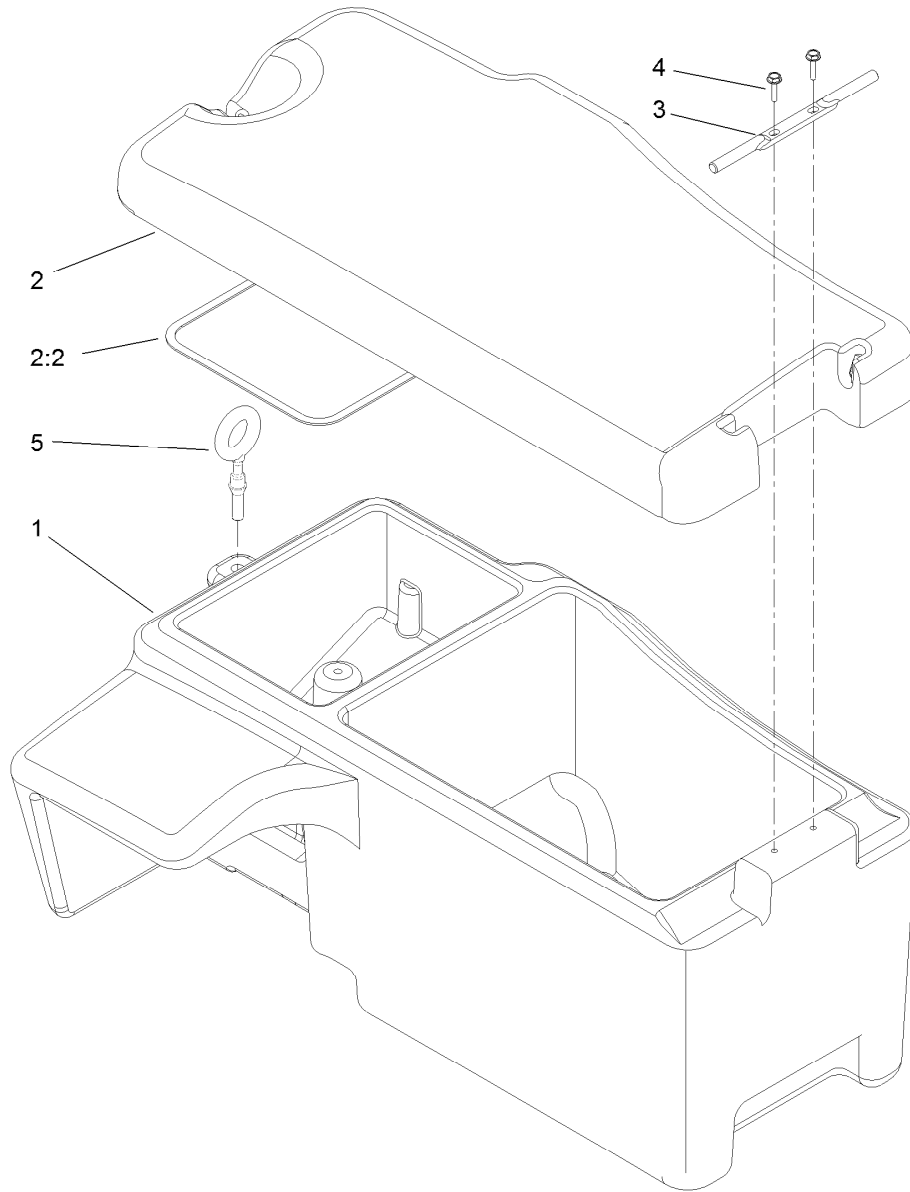
## Fuel System Assembly

<i>Ref.</i>	<i>Part Number</i>	<i>Qty.</i>	<i>Description</i>	<i>Ref.</i>	<i>Part Number</i>	<i>Qty.</i>	<i>Description</i>
1	46-6560	2	Bushing	11	322-11	2	Screw-HH
2	92-2379	6	Clamp-Hose	12	2412-80	2	Clamp-Hose
3	104-5605	1	Fitting-Return	13	3256-23	2	Washer-Flat
4	104-8300	2	Nut-Flange, NI	14	110-9044	1	Separator Filter ASM
5	107-4543	2	Clamp	14:1	110-9049	1	Filter-Spin On
6	110-0471	1	Hose-Fuel	15	32105-15	2	Screw-HWH
7	110-8802	1	Hose-Fuel	16	104-7201	4	Nut-HF
8	114-5062	1	Cap-Biodiesel	17	353-781	2	Fitting-Elbow
9	115-4353	1	Fuel Tank ASM	18	109-0308	1	Hose-Fuel
9:1	2412-36	1	Clamp-Hose	19	110-4113	1	Hose-Fuel
9:2	304-46	1	Draincock	20	321-11	1	Screw-HH
9:4	117-4790	1	Guage-Fuel	23	110-8806	1	Pump-Fuel
9:5	95-8972	1	Grommet	24	110-8817	1	Bracket-Pump, Fuel
10	115-4354	1	Tube-Suction, Fuel	26	321-15	1	Screw-HH



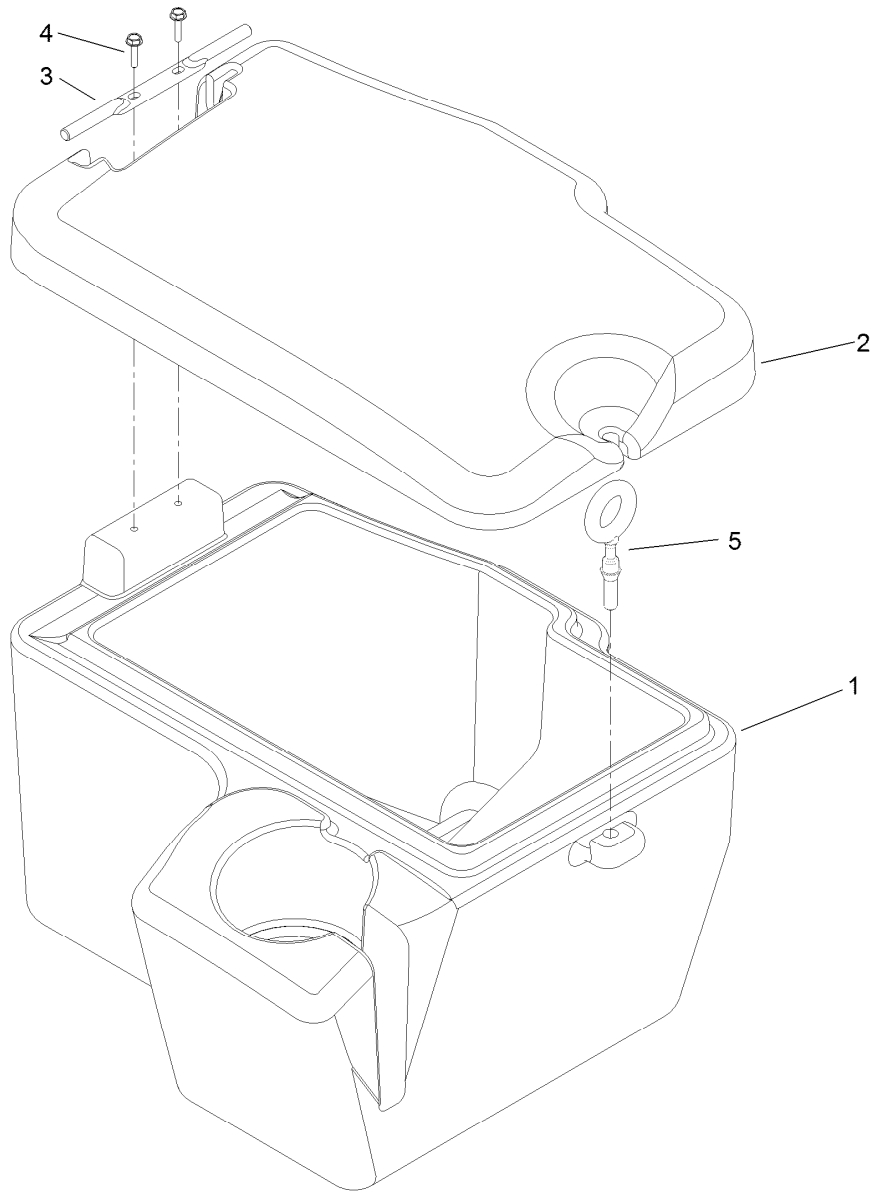
## Battery and Storage Box Assembly

Ref.	Part Number	Qty.	Description	Ref.	Part Number	Qty.	Description
1	46-8091	1	Screw-HWH	17	117-4775	1	Seal-Battery Box
2	99-7435	2	Relay-Power	18	117-4783	2	Seal-Foam
3	106-5189	1	Battery-12 Volt, Wet	19	42863	1	Strip-Jumper
4	110-8822	1	Block-Junction	20	3234-6	1	Screw-HHF
5	112-3169	3	Screw-HHF, Serrated	21	3296-54	3	Nut-Lock
6	112-3306	2	Nut	22	3339-175	1	Strapping-Web
7	114-5502	1	Clip-Fuse	23	32144-87	6	Screw-HWHTF
8	115-1794	2	Screw-HHF	24	117-2360-03	1	Bracket-Mount, Controller
9	115-4356-03	1	Mount-Fuse Block	25	322-19	1	Screw-HH
10	115-4387-03	1	Support-Box, Storage	26	3217-6	1	Nut-Hex
11	115-9100	1	Box-Storage, Battery	27	114-3321	1	Controller-Tec
12	115-9101	1	Box-Storage	28	321-8	4	Screw-HH
13	130-1651	1	Decal-Service	29	104-7201	4	Nut-HF
14	125-4605	1	Decal-Fuse	30	42862	1	Block-Terminal, Ground
15	117-4768-03	1	Plate-Box, Storage	31	3290-357	1	Nut-HHF, Whiz
16	117-4774-03	1	Clamp	32	93-0231	2	Screw-PPH



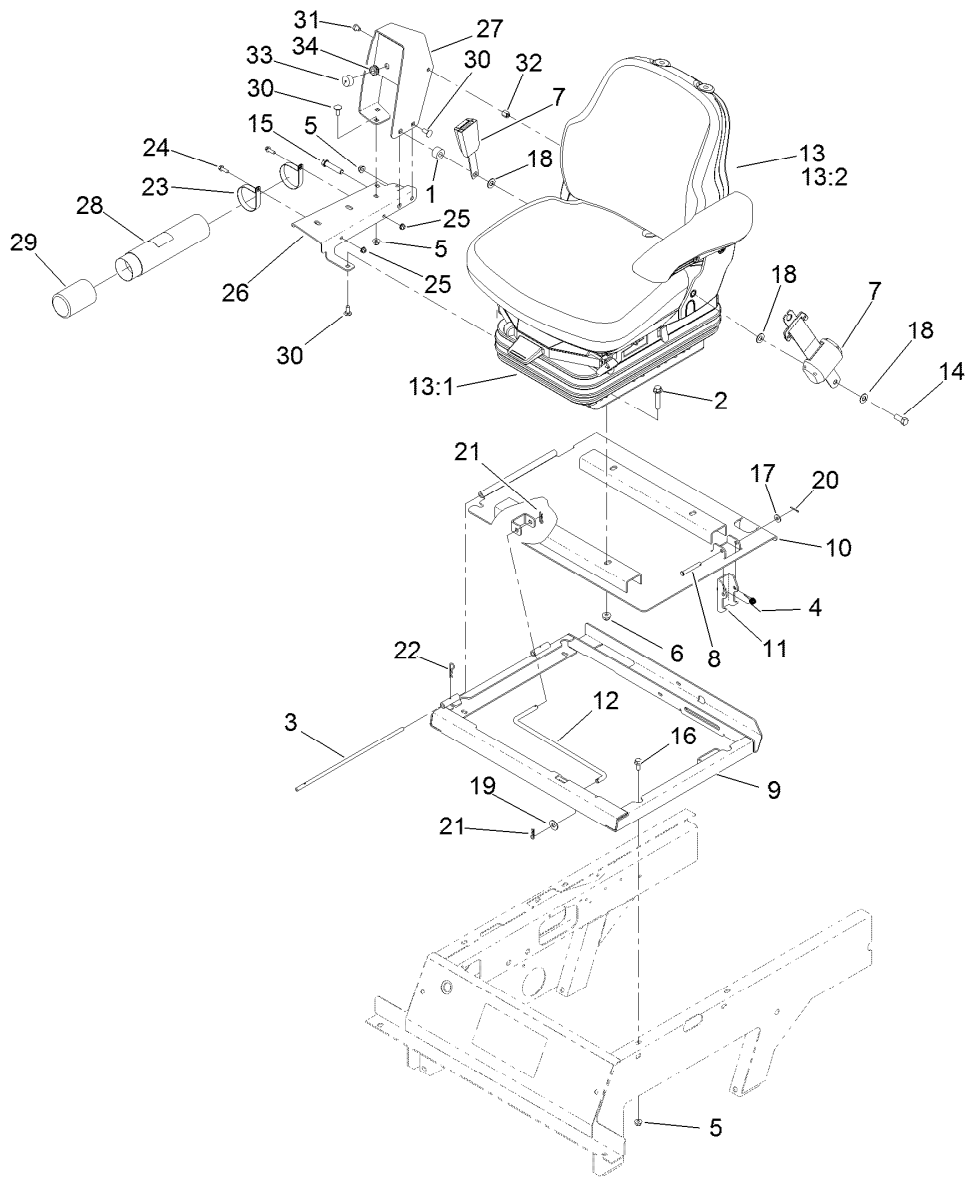
## Battery Storage Box Assembly No. 115-9100

<i>Ref.</i>	<i>Part Number</i>	<i>Qty.</i>	<i>Description</i>
1	114-8124	1	Box-Storage, RH
2	115-4368	1	Cover ASM
2:2	115-4367	1	Seal-Cover
3	114-8132	1	Hinge-Cover
4	98-1375	2	Screw-HWH
5	115-4366	1	Latch-Rubber



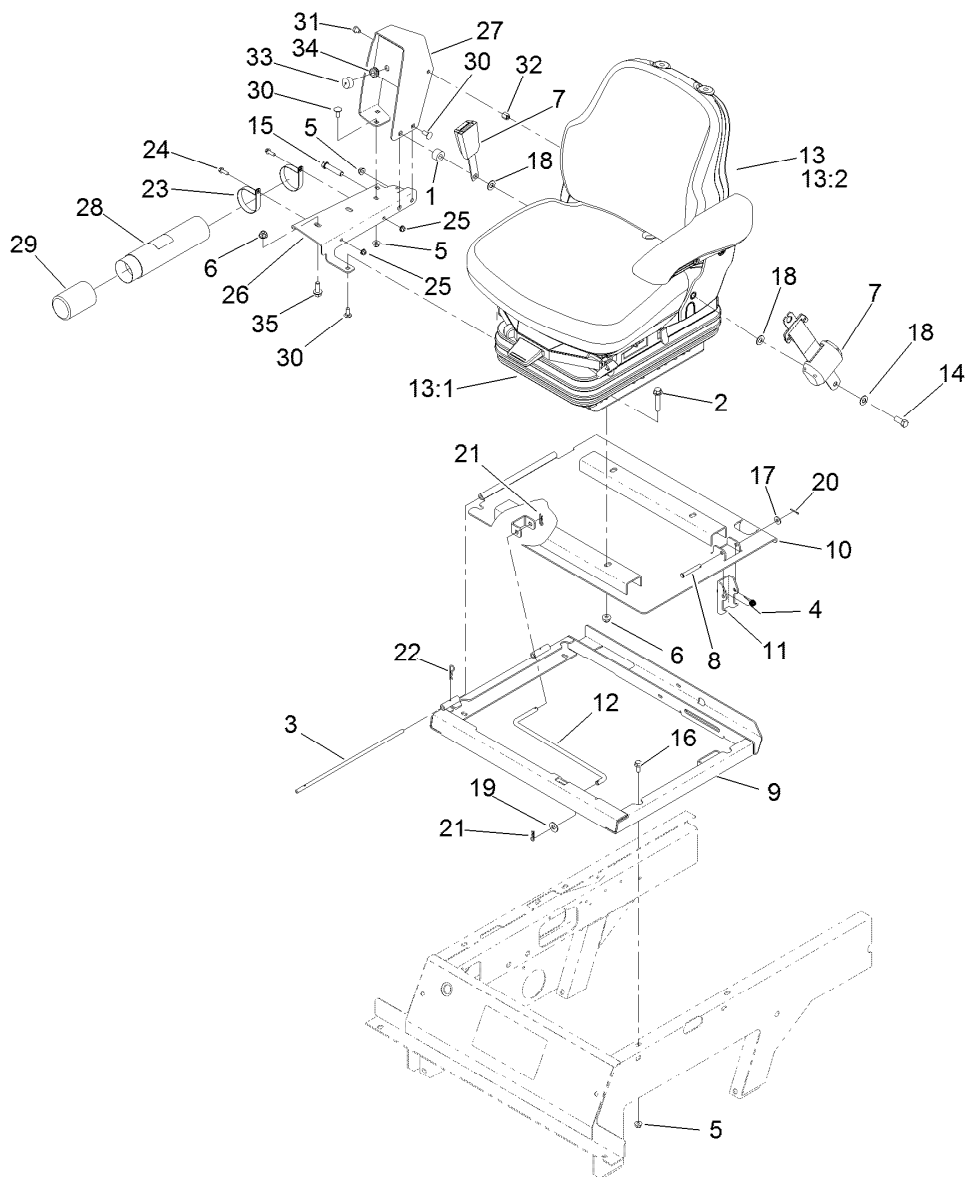
## Storage Box Assembly No. 115-9101

<i>Ref.</i>	<i>Part Number</i>	<i>Qty.</i>	<i>Description</i>
1	114-8123	1	Box-Storage, LH
2	114-8125	1	Cover-Storage Box, LH
3	114-8132	1	Hinge-Cover
4	98-1375	2	Screw-HWH
5	115-4366	1	Latch-Rubber



## Seat Mount Assembly

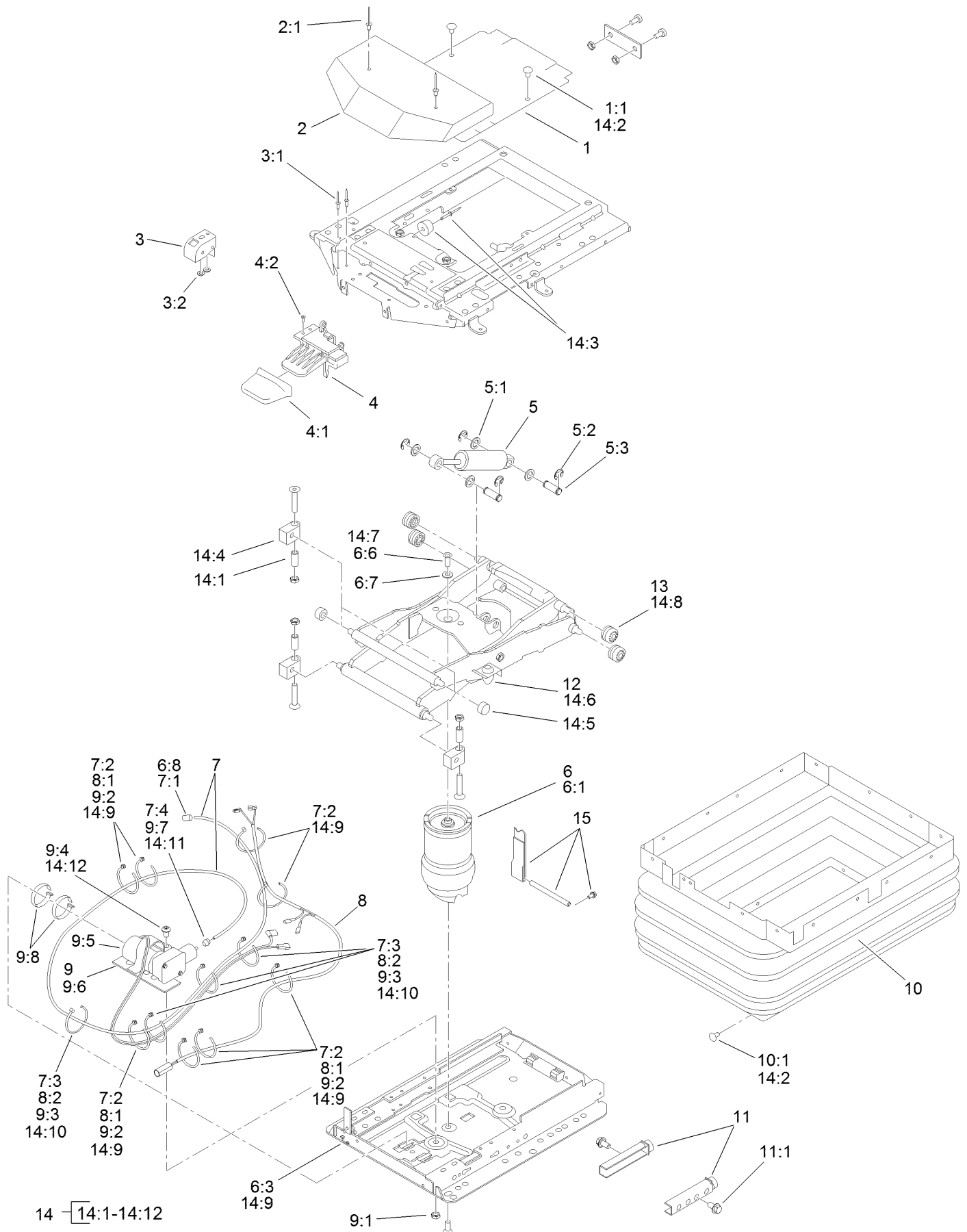
Ref.	Part Number	Qty.	Description	Ref.	Part Number	Qty.	Description
1	17-7190	1	Spacer-Finger	17	3256-2	1	Washer-Flat
2	66-9302	4	Screw-HHF, Whiz	18	3256-25	3	Washer-Flat
3	75-3400	1	Shaft-Pivot, Seat	19	3256-4	2	Washer-Flat
4	104-4821	1	Spring-Torsion	20	3272-6	1	Pin-Cotter
5	104-8300	8	Nut-Flange, NI	21	3290-307	4	Pin-Hair
6	104-8301	4	Nut-Flange, NI	22	3290-467	1	Pin-Hair
7	110-0413	1	Seatbelt-Retractable	23	107-1865	2	R-Clamp
8	110-0618	1	Pin-Clevis	24	32105-15	2	Screw-HWH
9	115-4400-03	1	Frame-Seat	25	104-7201	2	Nut-HF
10	115-4411-03	1	Plate-Seat	26	130-1657-03	1	Channel-Support
11	115-4423-03	1	Latch-Seat Plate	27	130-1650-03	1	Control Panel ASM
12	117-4797-03	2	Rod-Seat Frame	28	104-7050	1	Tube-Manual
13	117-5677	1	Seat And Suspension ASM	29	104-7048	1	Cap-Housing
13:1	108-1488	1	Seat Suspension ASM	30	3230-23	4	Screw-CARR
13:2	117-5676	1	Premium Seat ASM	31	108-8646	1	Screw-HH, Lock
14	3212-4	1	Screw-HH	32	112-7405	1	Nut-Hex, Coupling
15	3212-8	1	Screw-HH	33	110-8911	1	Seal-Foam
16	3234-47	4	Screw-HHF	34	237-136	1	Grommet



## Seat Mount Assembly

<i>Ref.</i>	<i>Part Number</i>	<i>Qty.</i>	<i>Description</i>	<i>Ref.</i>	<i>Part Number</i>	<i>Qty.</i>	<i>Description</i>
1	17-7190	1	Spacer-Finger	17	3256-2	1	Washer-Flat
2	66-9302	4	Screw-HHF, Whiz	18	3256-25	3	Washer-Flat
3	75-3400	1	Shaft-Pivot, Seat	19	3256-4	2	Washer-Flat
4	104-4821	1	Spring-Torsion	20	3272-6	1	Pin-Cotter
5	104-8300	8	Nut-Flange, NI	21	3290-307	4	Pin-Hair
6	104-8301	4	Nut-Flange, NI	22	3290-467	1	Pin-Hair
7	110-0413	1	Seatbelt-Retractable	23	107-1865	2	R-Clamp
8	110-0618	1	Pin-Clevis	24	32105-15	2	Screw-HWH
9	115-4400-03	1	Frame-Seat	25	104-7201	2	Nut-HF
10	115-4411-03	1	Plate-Seat	26	130-1657-03	1	Channel-Support
11	115-4423-03	1	Latch-Seat Plate	27	130-1650-03	1	Control Panel ASM
12	117-4797-03	2	Rod-Seat Frame	28	104-7050	1	Tube-Manual
13	117-5677	1	Seat And Suspension ASM	29	104-7048	1	Cap-Housing
13:1	108-1488	1	Seat Suspension ASM	30	3230-23	4	Screw-CARR
13:2	117-5676	1	Premium Seat ASM	31	108-8646	1	Screw-HH, Lock
14	3212-4	1	Screw-HH	32	112-7405	1	Nut-Hex, Coupling
15	3212-8	1	Screw-HH	33	110-8911	1	Seal-Foam
16	3234-47	4	Screw-HHF	34	237-136	1	Grommet

# Air Ride Seat Suspension Assembly No. 108-1488

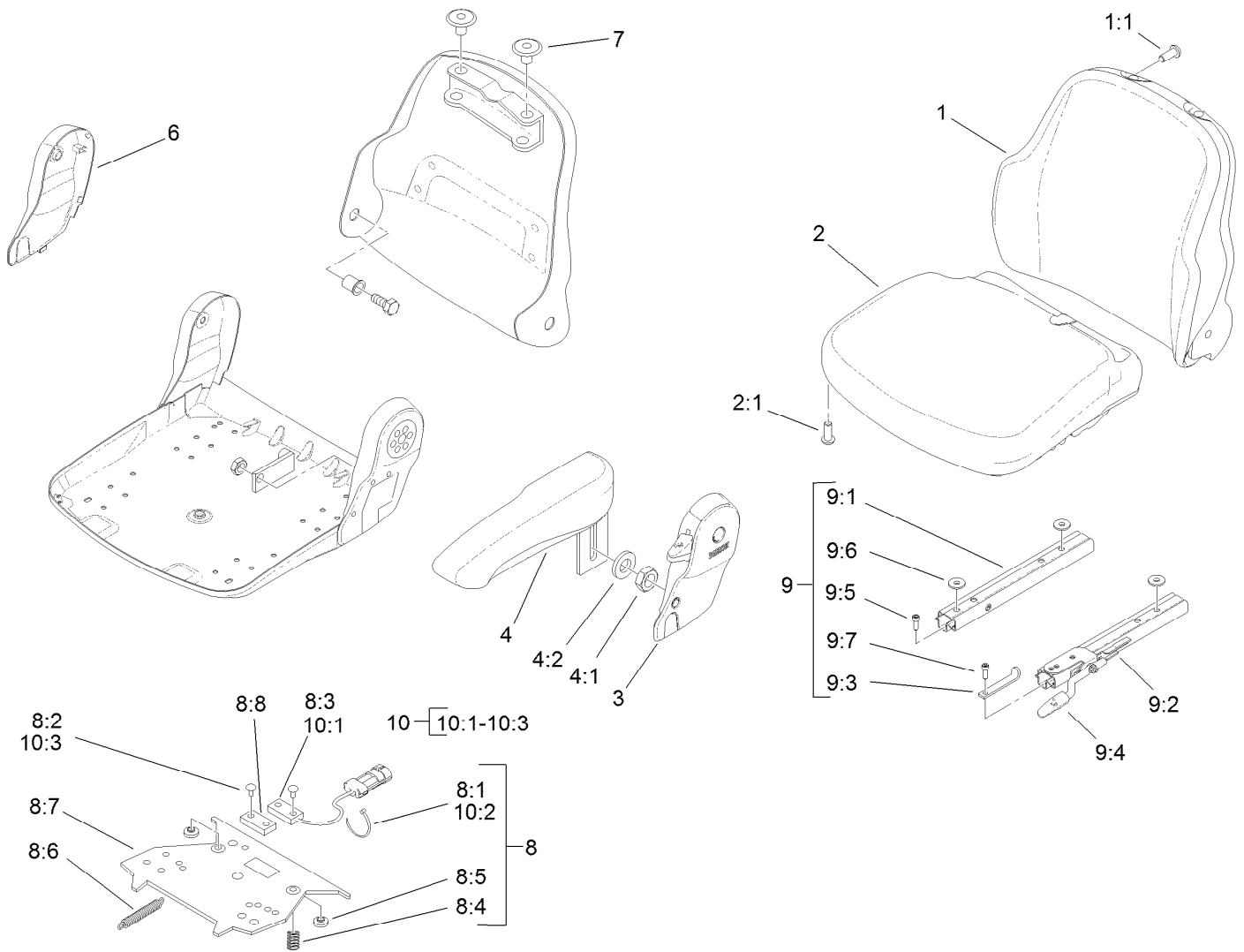


# Air Ride Seat Suspension Assembly No. 108-1488 (continued)

<i>Ref.</i>	<i>Part Number</i>	<i>Qty.</i>	<i>Description</i>	<i>Ref.</i>	<i>Part Number</i>	<i>Qty.</i>	<i>Description</i>
1	108-8026	1	Cover ASM	9:1		1	Nut ■
1:1	39-5710	2	Plug-Plastic	9:2		5	Tie-Wire ■
2	108-8027	1	Cover ASM	9:3		4	Tie-Wire ■
2:1		2	Rivet ■	9:4		1	Screw ■
3	108-8028	1	Level Indicator Kit	9:5		1	Compressor ■
3:1		2	Rivet ■	9:6		1	Plate-Mounting ■
3:2		2	Washer ■	9:7		1	Nipple-Hose ■
4	108-8029	1	Air Control Valve ASM	9:8		2	Clamp ■
4:1		1	Handle ■	10	108-8035	1	Bellows ASM
4:2		3	Screw ■	10:1	39-5710	23	Plug-Plastic
5	108-8030	1	Shock Absorber Kit	11	108-8036	1	Stop Kit
5:1		4	Washer ■	11:1		2	Screw ■
5:2		4	C-Clip ■	12	107-1213	2	Bumper Set
5:3		2	Pin ■	13	108-8037	4	Roller
6	108-8031	1	Air Spring Kit	14	108-8038	1	Wear Parts Kit ●
6:1		1	Air Spring ■	14:1		4	Spacer ■
6:3		2	Cable Tie ■	14:2	39-5710	2	Plug-Plastic
6:6		2	Screw ■	14:3		1	Bumper ■
6:7		1	Washer ■	14:4		4	Support-Housing ■
6:8		1	Nipple-Hose ■	14:5		2	Roller ■
7	108-8032	1	Air Tube ASM	14:6	107-1213	2	Bumper Set
7:1		1	Nipple-Hose ■	14:7		2	Screw ■
7:2		7	Tie-Wire ■	14:8	108-8037	4	Roller
7:3		4	Tie-Wire ■	14:9		9	Tie-Wire ■
7:4		1	Nipple-Hose ■	14:10		4	Tie-Wire ■
8	108-8033	1	Connecting Cable ASM	14:11		1	Nipple-Hose ■
8:1		8	Tie-Wire ■	14:12		1	Screw ■
8:2		4	Tie-Wire ■	15	119-2161	1	Tether Kit
9	108-8034	1	Compressor Kit				

● Not illustrated

■ Not serviced separately

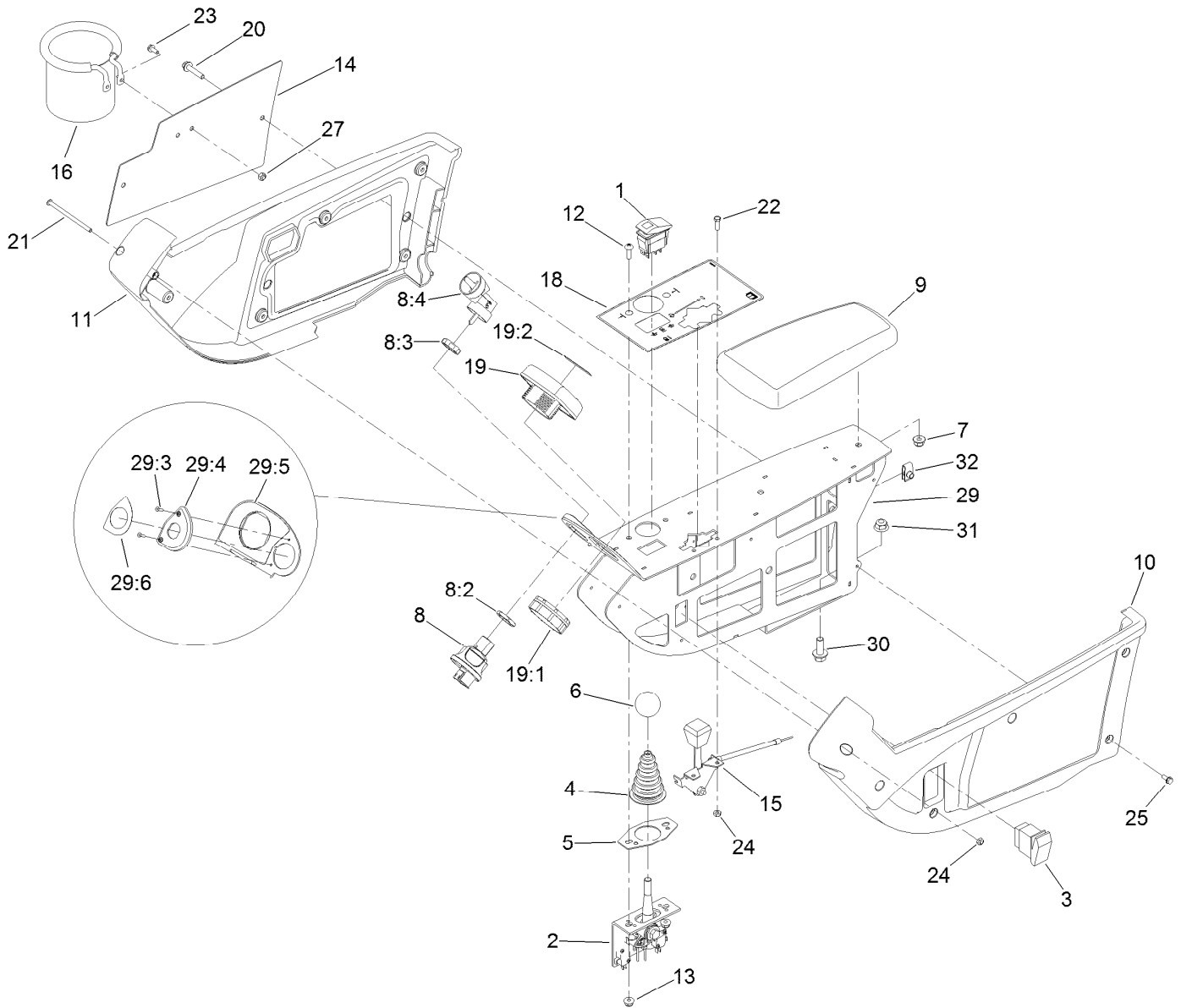


## Vinyl Premium Seat Assembly No. 117-5676

Ref.	Part Number	Qty.	Description
1	108-8016	1	Backrest Cushion ASM
1:1	119-7742	4	Screw-Cushion
2	108-8017	1	Seat Cushion ASM
2:1	119-7742	3	Screw-Cushion
3	108-8018	1	Cover-Armrest
4	108-8019	1	LH Armrest ASM
4:1	82-9650	1	Nut
4:2	107-1198	1	Washer
6	108-8021	1	Cover-Armrest
7	108-8022	2	Cover-Black
8	108-8024	1	Switch Kit
8:1		3	Wire Tie ●
8:2		4	Rivet ●
8:3		1	Sensor-Seat Switch ●
8:4		2	Spring-Compression ●
8:5		2	Bumper-Pressure Plate ●

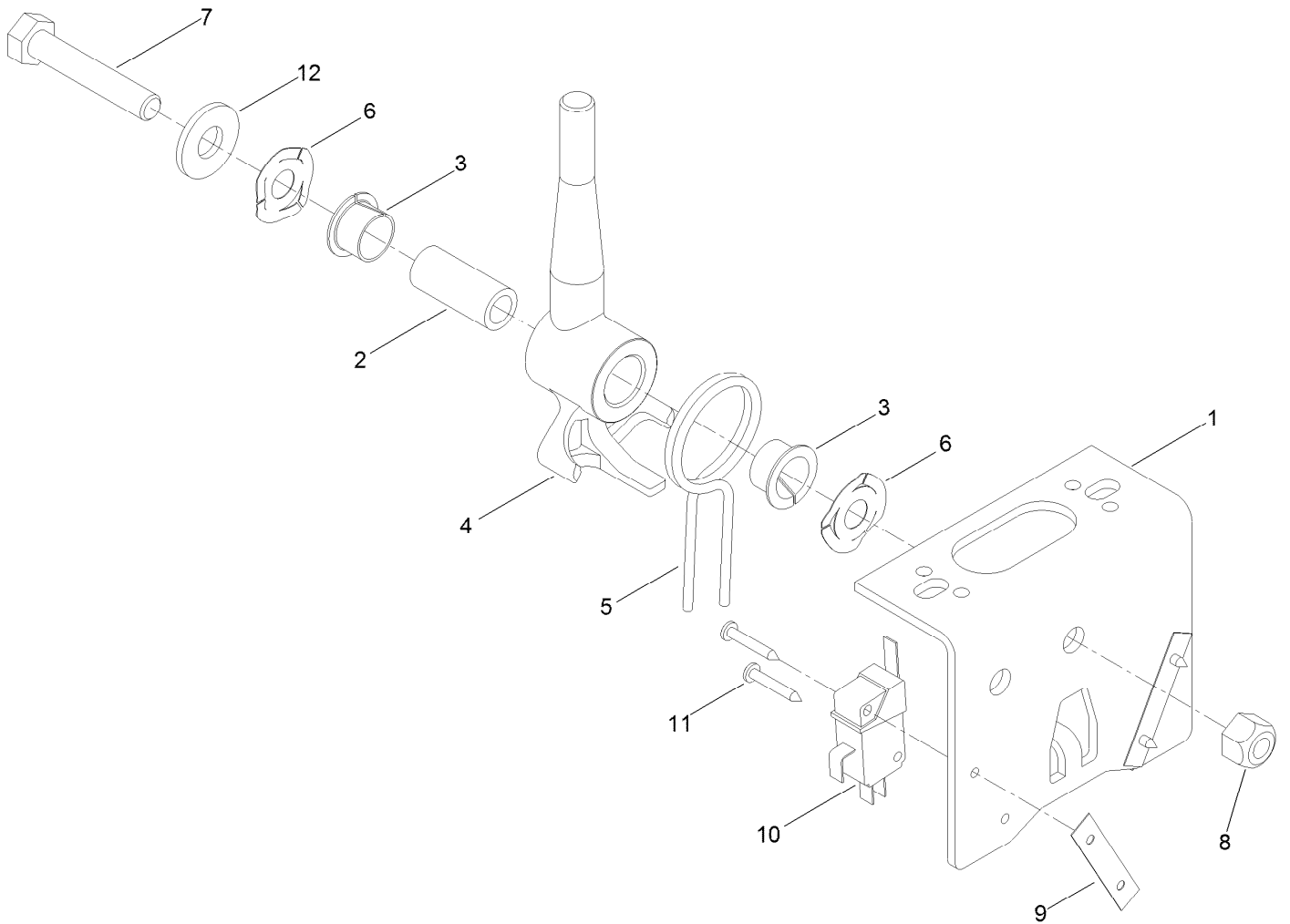
Ref.	Part Number	Qty.	Description
8:6		1	Spring-Extension ●
8:7		1	Plate-Mounting ●
8:8		1	Magnet ●
9	108-8025	1	Adjustment Rail Set
9:1		1	Rail-Adjustment, RH ●
9:2		1	Rail-Adjustment, LH ●
9:3		1	Stop-Rail ●
9:4		1	Handle ●
9:5		3	Screw ●
9:6		3	Washer ●
9:7		1	Screw ●
10	110-6189	1	Switch Kit
10:1		1	Switch ●
10:2		3	Wire Tie ●
10:3		2	Rivet ●

● Not serviced separately



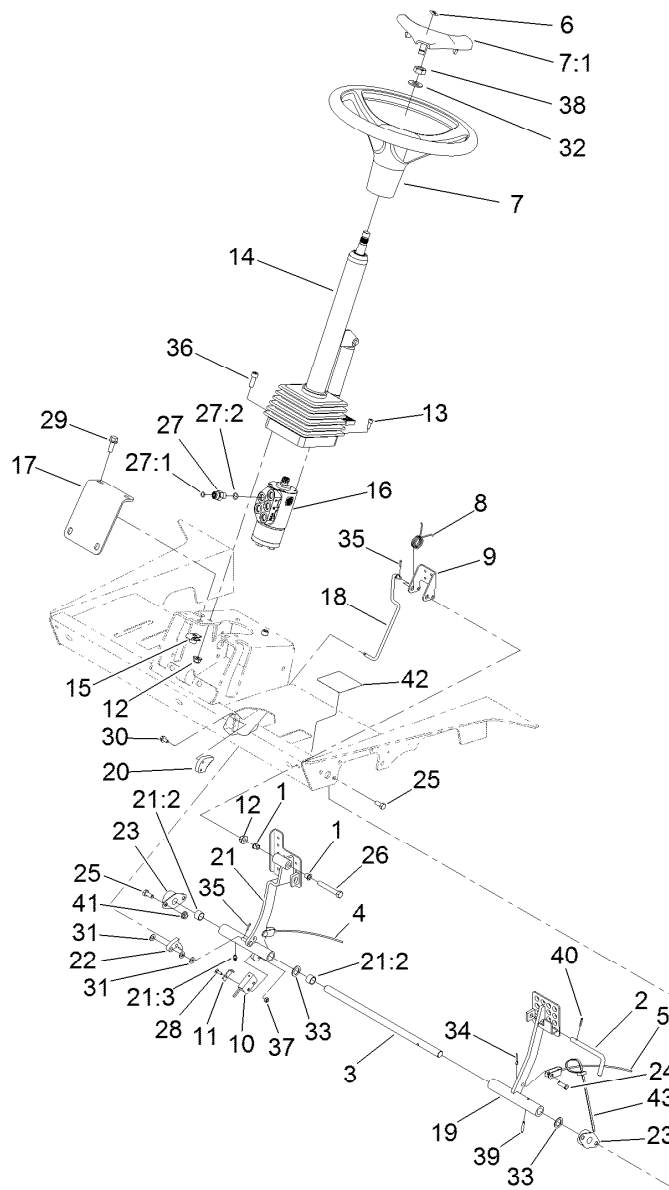
## Control Console Assembly

Ref.	Part Number	Qty.	Description	Ref.	Part Number	Qty.	Description
1	105-4232	1	Switch	18	121-5644	1	Decal-Control Panel
2	120-5280	1	Joystick Bracket ASM	19	120-6310	1	Lcd Display ASM
3	95-8999	1	Switch	19:1	120-4630	1	Nut-Display
4	93-5961	1	Boot-Lever	19:2	120-6311	1	Decal-Display
5	112-9181	1	Plate-Boot	20	3234-21	2	Screw-HHF
6	233-42	1	Knob	21	3250-22	1	Screw-PPH
7	104-8300	2	Nut-Flange, NI	22	3290-134	2	Screw
8	121-5159	1	Ignition Switch ASM	23	3290-321	2	Screw-HWH
8:2	121-5160	1	Nut-Hex	24	3296-12	3	Nut-Lock, NI
8:3	121-5161	1	Nut-Face	25	32144-112	10	Screw-HWH
8:4	121-5162	1	Key Set-Ignition	27	3296-2	2	Nut-Lock, NI
9	108-7602	1	Rest-Arm	29	130-1612	1	Panel ASM
10	108-7604	1	Cover-LH	29:3	3269-17	2	Rivet-Pop
11	108-7605	1	Cover-RH	29:4	121-3889	1	Step-Elevated, Switch
12	3258-166	2	Screw-PRH	29:5	121-3887	1	Decal-Console, Display
13	104-7201	2	Nut-HF	29:6	121-3884	1	Decal-Console, Upper
14	115-8849-03	1	Plate-Cover	30	3234-42	2	Screw-HHF
15	130-1673	1	Cable-Throttle	31	104-8301	2	Nut-Flange, NI
16	117-2378	1	Holder-Bag	32	107069	2	Clip



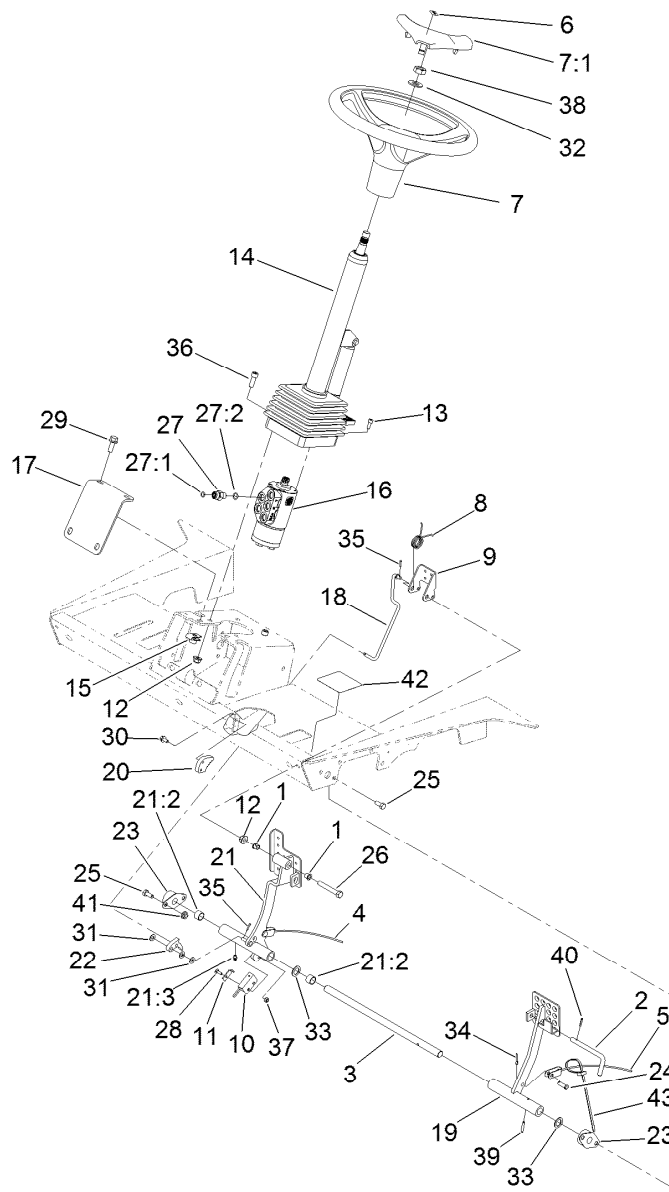
## Joystick Bracket Assembly No. 120-5280

<i>Ref.</i>	<i>Part Number</i>	<i>Qty.</i>	<i>Description</i>
1	115-5357-03	1	Bracket-Joystick
2	106-4192	1	Spacer
3	93-5547	2	Bushing-Nylon
4	119-3540	1	Hub-Pivot, Joystick
5	105-8289	1	Spring-Torsion
6	106-4193	2	Washer-Finger, Spring
7	322-9	1	Screw-HH
8	3296-29	1	Nut-Lock, NI
9	3290-354	2	Nut-Speed
10	108-6496	2	Switch (W/Boot)
11	95-3003	4	Screw-PPHTF
12	3256-3	1	Washer-Flat



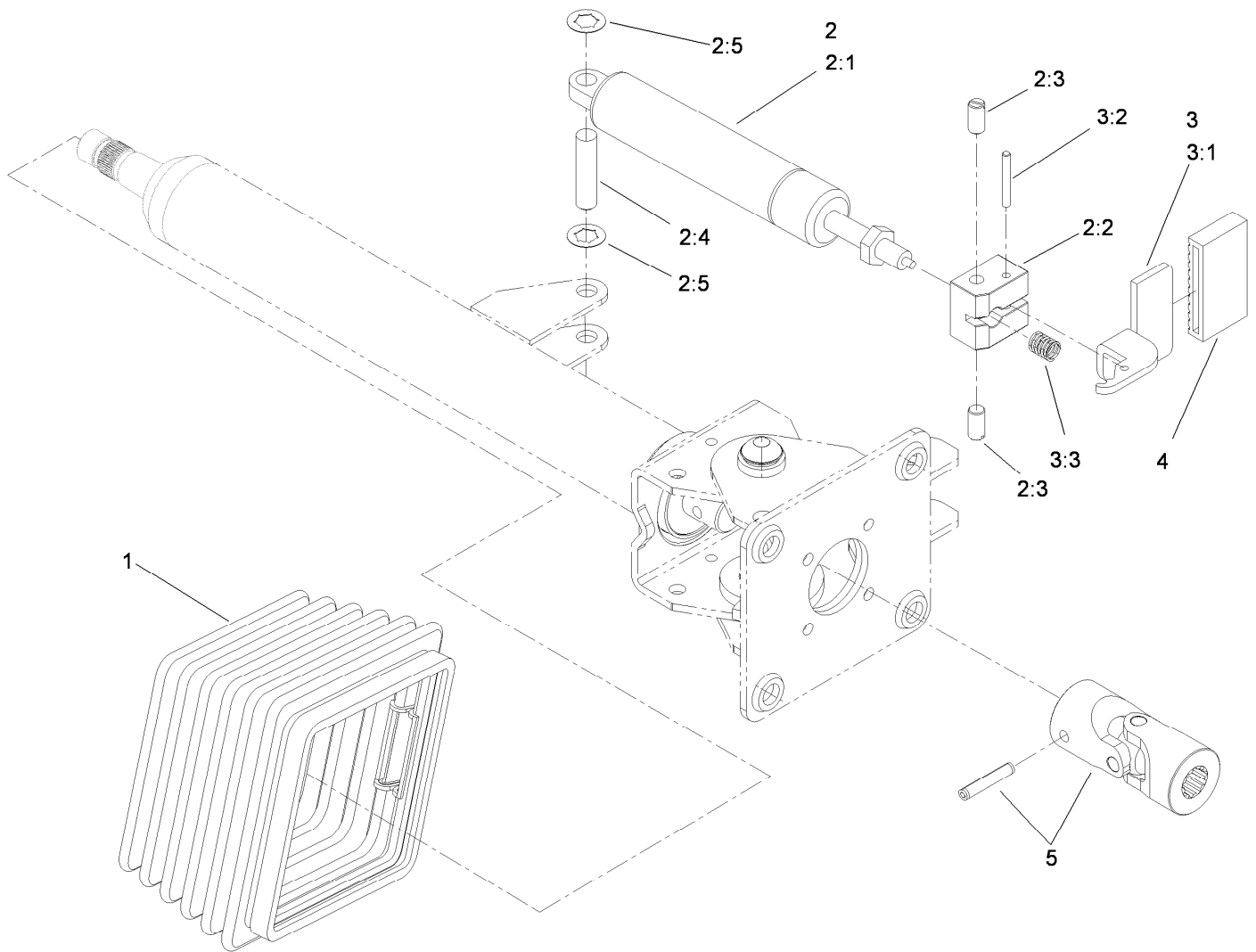
## Steering and Pedals Assembly

Ref.	Part Number	Qty.	Description	Ref.	Part Number	Qty.	Description
1	52-2891	2	Bushing-Flanged, Nylon	21	119-0005	1	RH Brake Pedal ASM
2	63-7880	1	Pin-Latch, Brake	21:2	256-42	2	Bushing
3	75-1470	1	Pin-Pivot, Brake	21:3	302-5	1	Fitting-Grease
4	92-7529	1	Cable-Brake, RH	22	120-1691	1	Detent-Brake
5	92-7530	1	Cable-Brake, LH	23	256-236	2	Bearing-Mount, Flange
6	98-1459	1	Decal	24	283-58	2	Pin-Clevis
7	98-1471	1	Wheel-Steering	25	322-3	3	Screw-HH
7:1	98-1468	1	Cover-Wheel, Steering	26	323-12	1	Screw-HH
8	99-7140	1	Spring-Torsion	27	340-2	5	Fitting-HYD, Straight
9	99-7963-03	1	Pedal-Park	27:1	237-22	1	O-Ring
10	100-1270	1	Switch-Proximity	27:2	237-42	1	O-Ring
11	100-4872	1	Plate-Switch, Neutral	28	3229-34	1	Screw-CARR
12	104-8301	5	Nut-Flange, NI	29	3234-11	4	Screw-HHF
13	105-2409	4	Screw-HSH	30	3234-13	2	Screw-HHF
14	106-3622	1	Steering Tilt Column ASM	31	3256-22	3	Washer-Flat
15	105-4886	4	Nut-Tinnerman	32	3256-27	1	Washer-Flat
16	114-8119	1	Steering Valve ASM	33	3256-69	3	Washer-Flat
17	115-4379-01	1	Brace-Column	34	3272-10	2	Pin-Cotter
18	115-4417	1	Rod-Brake Pawl	35	3272-5	3	Pin-Cotter
19	115-4421-03	1	Pedal-Brake, LH	36	3274-7	4	Screw-HSH
20	119-0002	1	Pawl-Brake	37	3296-2	1	Nut-Lock, NI



## Steering and Pedals Assembly (continued)

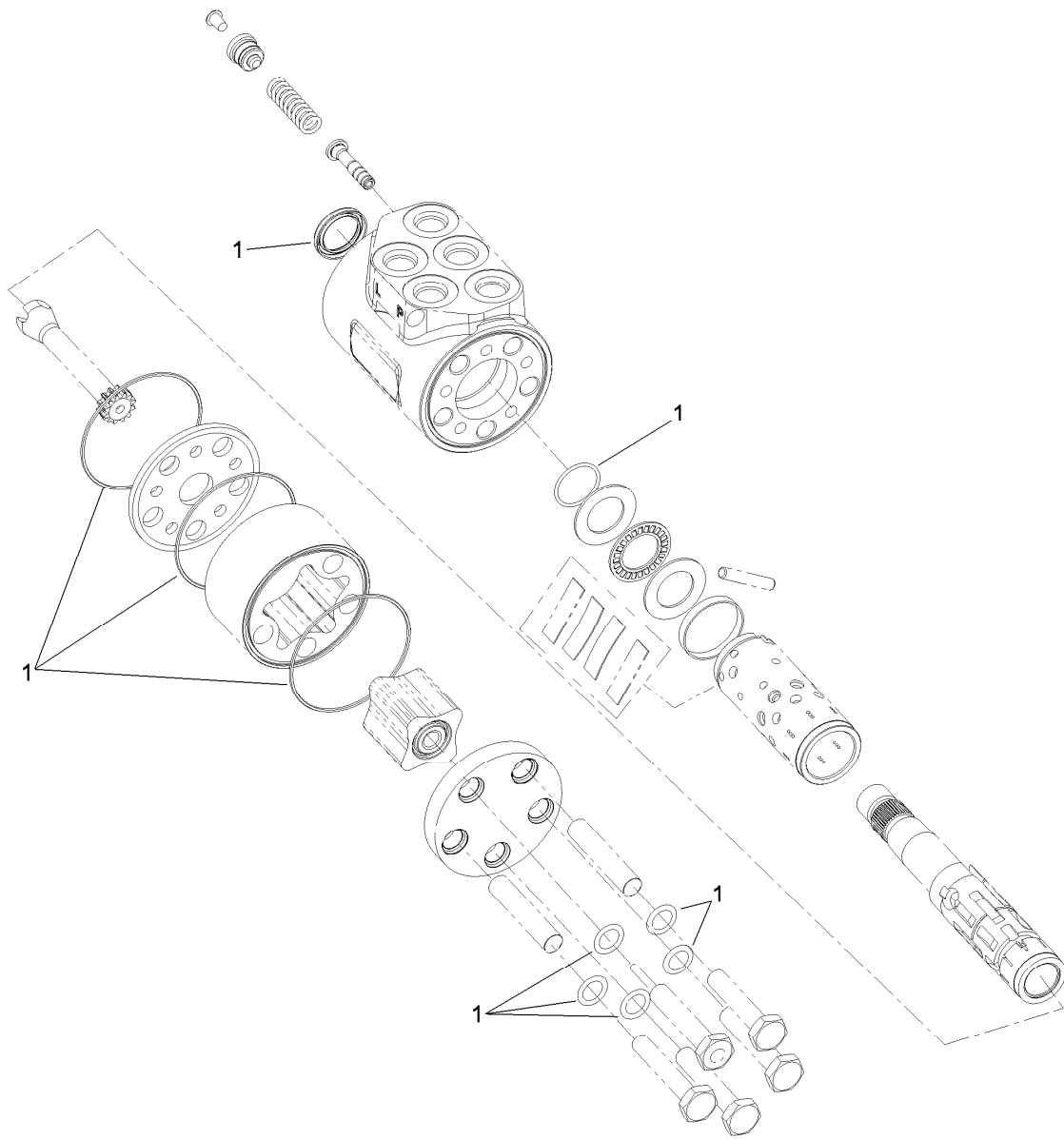
<i>Ref.</i>	<i>Part Number</i>	<i>Qty.</i>	<i>Description</i>	<i>Ref.</i>	<i>Part Number</i>	<i>Qty.</i>	<i>Description</i>
38	3296-33	1	Nut-Lock, NI	41	32128-20	3	Nut-HF
39	32121-16	1	Pin-Spring	42	117-4763	1	Decal-Brake
40	32121-50	1	Pin-Spring	43	3290-378	1	Tie-Cable



## Steering Tilt Column Assembly No. 106-3622

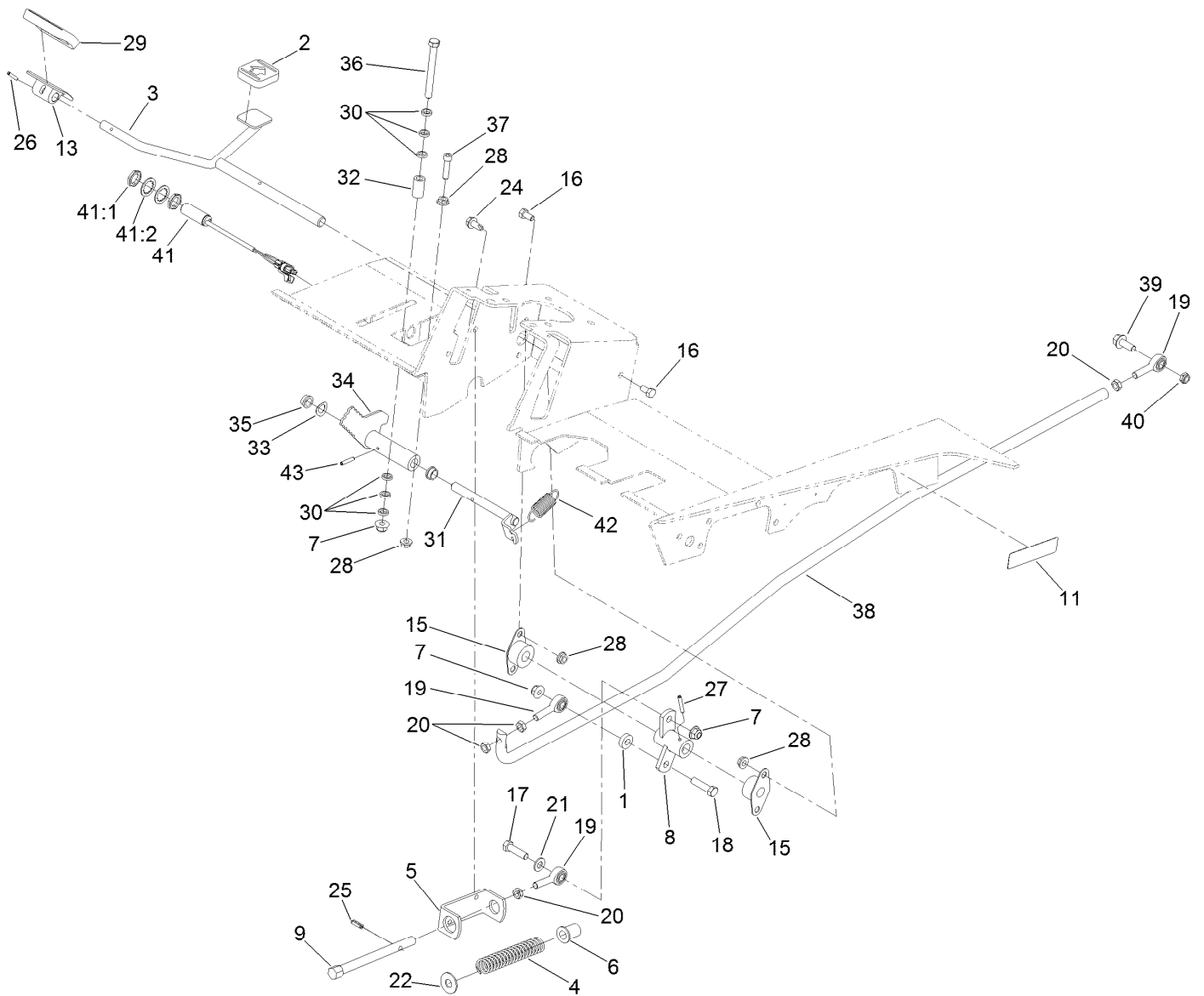
Ref.	Part Number	Qty.	Description
1	110-6462	1	Bellows-Rubber
2	110-6463	1	Cylinder Service Kit
2:1		1	Cylinder-Gas ●
2:2		1	Block-Pedal ●
2:3		2	Bolt ●
2:4		1	Pin ●
2:5		2	Washer-Lock ●
3	110-6464	1	Pedal Service Kit
3:1		1	Pedal ●
3:2		1	Pin ●
3:3		1	Spring ●
4	110-6465	1	Cover-Pedal
5	120-6256	1	Universal Joint Kit

● Not serviced separately



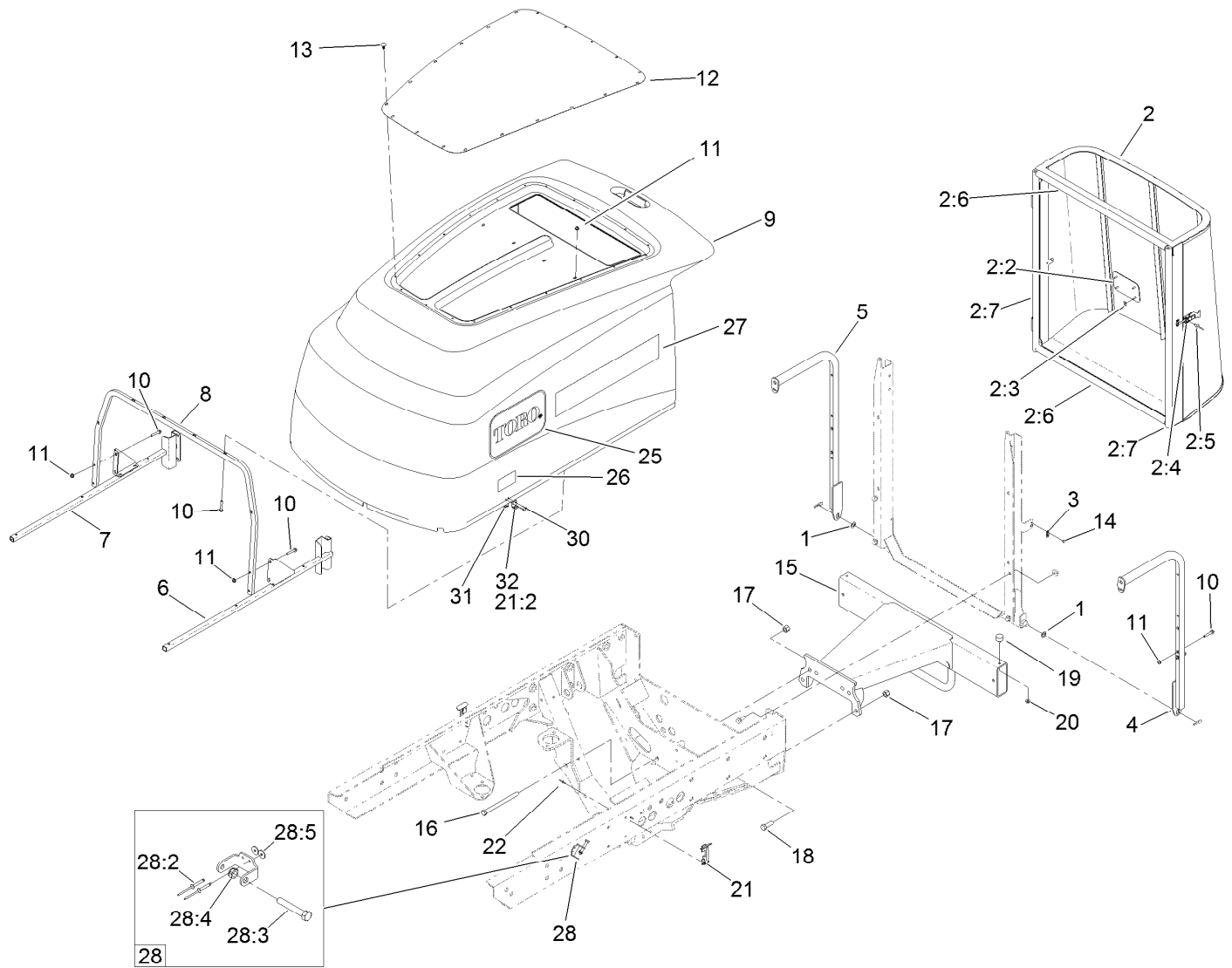
## Steering Valve Assembly No. 114-8119

<i>Ref.</i>	<i>Part Number</i>	<i>Qty.</i>	<i>Description</i>
1	106-6716	1	Seal Kit



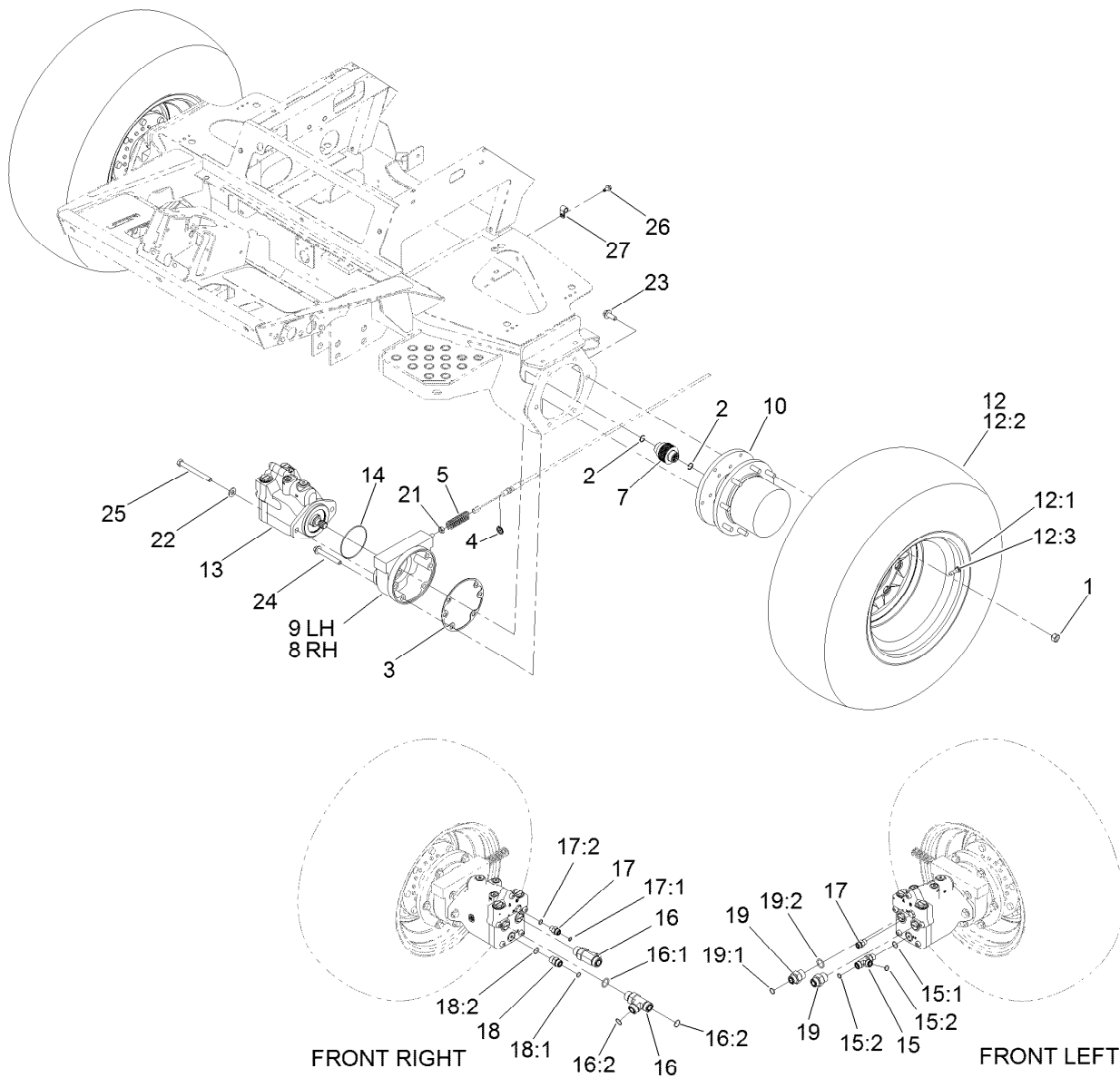
## Forward/Reverse Pedal Assembly

Ref.	Part Number	Qty.	Description	Ref.	Part Number	Qty.	Description
1	5-0652	1	Spacer	26	32121-45	1	Pin-Spring
2	74-9110	1	Pad-Pedal, Reverse	27	32121-6	1	Pin-Roll, Slotted
3	75-2970	1	Pedal-Traction	28	32128-20	6	Nut-HF
4	84-9100	1	Spring	29	74-9100	1	Pad-Pedal, Forward
5	92-7608-03	1	Bracket-Spring	30	62-4420	6	Washer
6	92-7610	1	Retainer-Spring	31	106-3731	1	Rod-Pivot
7	104-8301	3	Nut-Flange, NI	32	110-4631	1	Tube-Spacer
8	115-4380-03	1	Hub-Pivot, Traction	33	110-8982	1	Washer-Spring
9	115-4383	1	Shaft-Spring	34	117-0216	1	Stop-Mow
11	117-2718	1	Decal-Arrester, Spark	35	256-156	2	Bushing-Flange
13	117-9507	1	Pedal-Accelerator	36	323-15	1	Screw-HH
15	256-236	2	Bearing-Mount, Flange	37	3274-18	1	Screw-HSH
16	322-2	4	Screw-HH	38	130-1634-03	1	Rod-Traction
17	323-29	1	Screw-HH	39	3234-11	1	Screw-HHF
18	323-8	1	Screw-HH	40	3296-59	1	Nut-Lock, NI
19	2411-36	3	Bearing-End, Rod	41	115-5300	1	Proximity Switch ASM
20	3220-3	4	Nut-HJ	41:1	117-3207	2	Nut-Hex
21	3256-24	1	Washer-Flat	41:2	117-3208	2	Washer-Lock, Internal Tooth
22	3256-5	1	Washer-Flat	42	92-7305	1	Spring-Extension
24	32104-32	2	Screw-HWH	43	32121-16	1	Pin-Spring
25	32121-11	1	Pin-Roll				



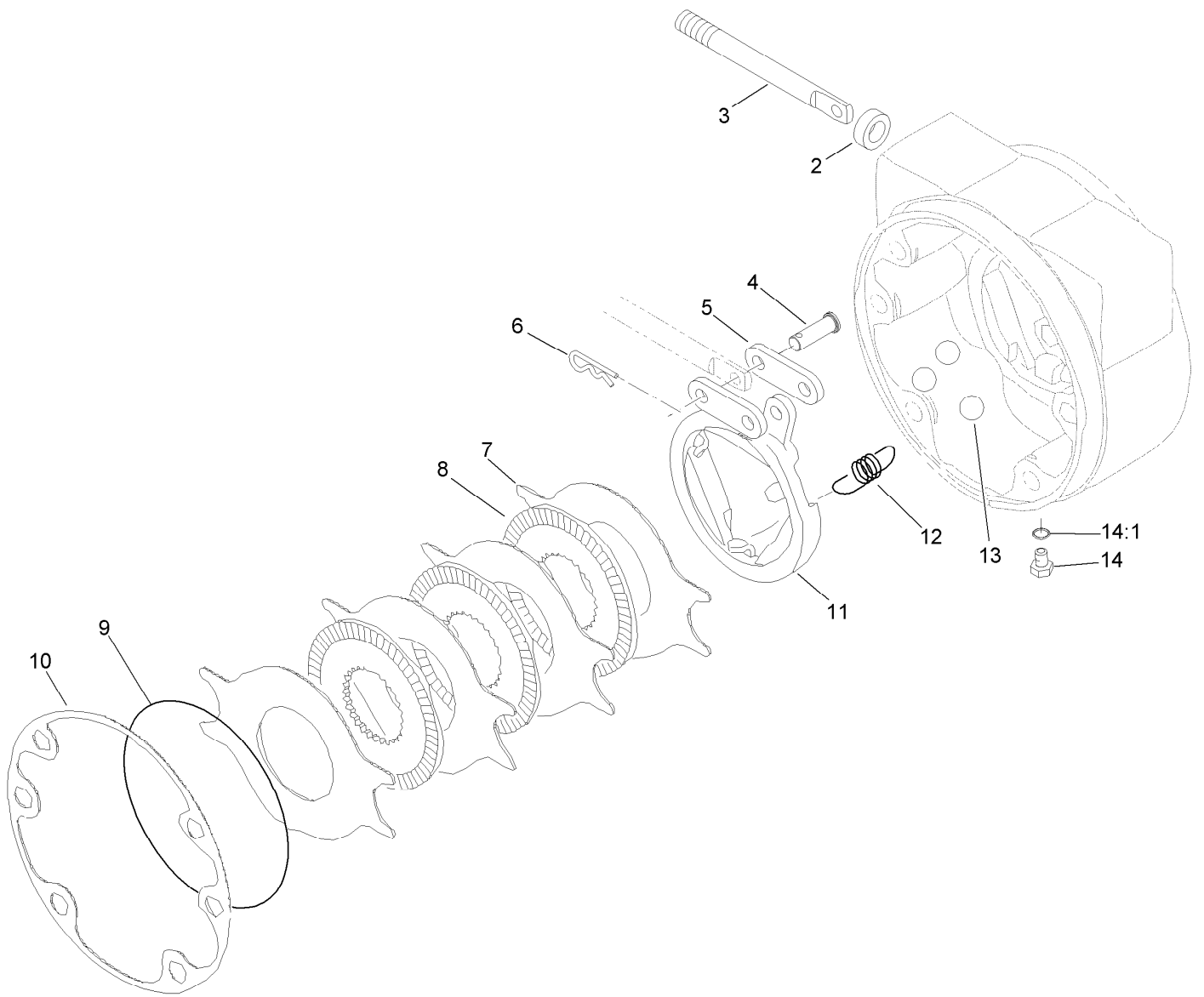
## Hood Assembly

Ref.	Part Number	Qty.	Description	Ref.	Part Number	Qty.	Description
1	98-1629	2	Washer	15	120-8020-03	1	Bumper-Rear
2	115-4362	1	Screen ASM	16	325-33	2	Screw-HH
2:2	93-6028	1	Plate-Logo	17	3296-23	4	Nut-Lock, NI
2:3	94-2638	4	Nut-Tinnerman	18	325-6	2	Screw-HH
2:4	114-8117	1	Latch-Adjustable	19	240-14	2	Bumper-Rubber
2:5	3269-3	2	Rivet-Pop	20	32128-33	2	Nut-HF
2:6	115-4358	2	Seal-Bulb	21	59-9740	2	Flex Draw Latch ASM
2:7	115-4359	2	Seal-Bulb	21:2	249-40	1	Keeper
3	115-4357	1	Latch-Keeper	22	3290-55	4	Rivet-Pop
4	114-8109-03	1	Tube-LH	25	66-1210	2	Decal
5	114-8108-03	1	Tube-RH	26	106-6754	2	Decal-Danger
6	114-8102-03	1	Tube	27	119-3942	2	Decal
7	117-2358-03	1	Tube-Hood, RH	28	119-2004	1	Ce Latch Kit
8	115-9118-03	1	Tube-Frame, Hood	28:2	107-0333	2	Rivet-Pop
9	114-4174	1	Hood ASM	28:3	322-10	1	Screw-HH
10	94-5781	26	Screw-HHF	28:4	3296-47	1	Nut-Lock, NI
11	104-7201	26	Nut-HF	28:5	3269-10	2	Washer-Back
12	114-4192-03	1	Screen-Hood	30	3269-17	4	Rivet-Pop
13	117-2382	20	Plug-Plastic	31	3269-10	4	Washer-Back
14	3269-3	2	Rivet-Pop	32	249-40	1	Keeper



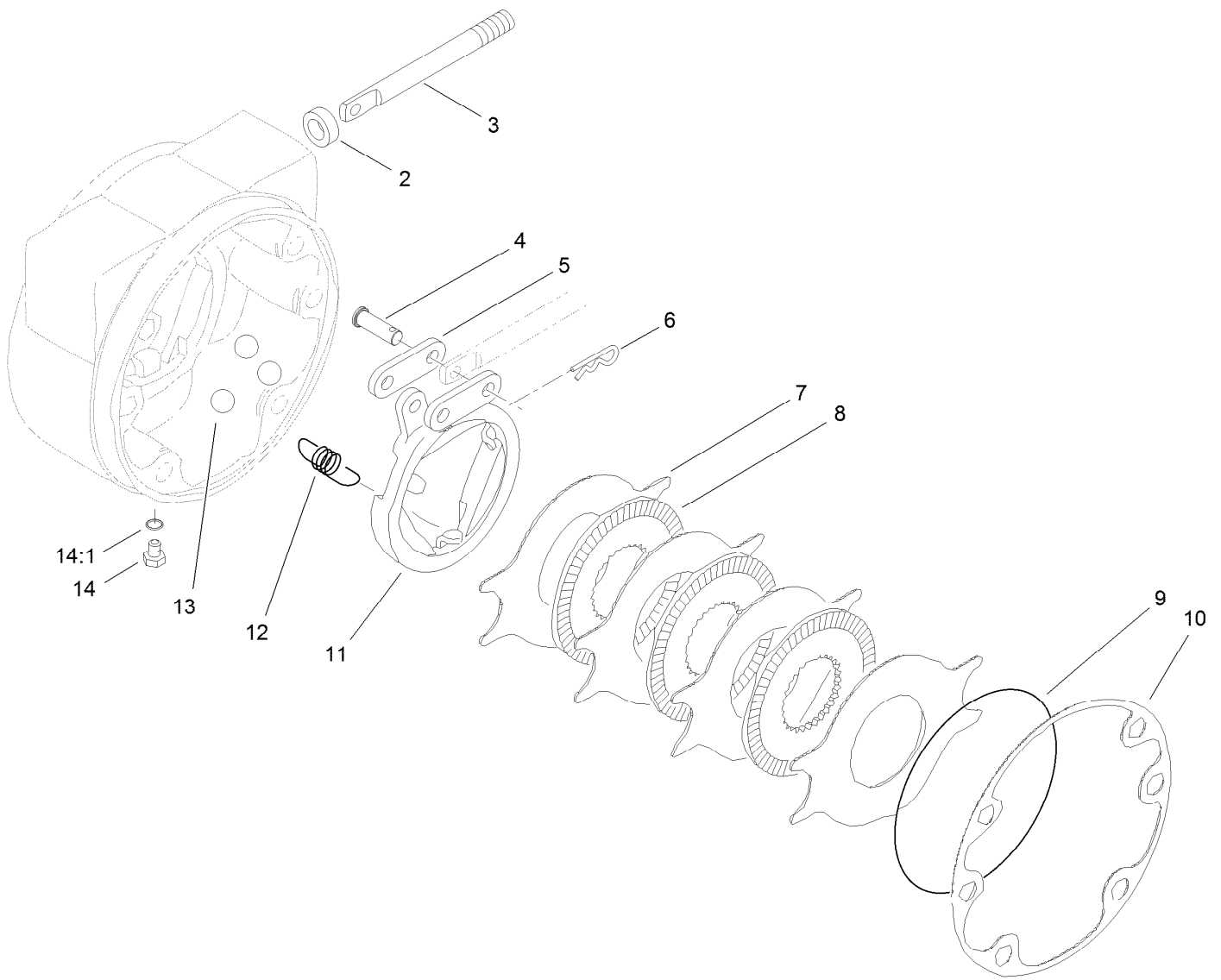
## Front Traction Assembly

Ref.	Part Number	Qty.	Description	Ref.	Part Number	Qty.	Description
1	92-7483	16	Nut-Lug	16:1	237-81	1	O-Ring
2	93-7972	4	Ring-Retaining, Internal	16:2	237-58	2	O-Ring
3	93-7984	2	Gasket	17	340-2	2	Fitting-HYD, Straight
4	94-3050	2	Plate-Spring	17:1	237-22	1	O-Ring
5	94-3088	2	Spring-Compression	17:2	237-42	1	O-Ring
7	100-3046	2	Shaft-Brake, Splined	18	340-4	1	Fitting-HYD, Straight
8	100-3069	1	RH Brake ASM	18:1	237-30	1	O-Ring
9	100-3070	1	LH Brake ASM	18:2	237-79	1	O-Ring
10	105-4500	2	Planetary ASM	19	340-8	2	Adapter
12	119-1538	2	Tire And Wheel ASM	19:1	237-65	1	O-Ring
12:1	119-1540	1	Wheel-15 Inch	19:2	237-81	1	O-Ring
12:2	63-4480	1	Tire	21	3218-4	2	Nut-Jam
12:3	232-24	1	Stem-Valve	22	106-9888	4	Washer-Flat
13	121-3100	2	HYD Piston Motor ASM	23	33106-030	12	Screw-HHF
14	237-166	2	O-Ring	24	33106-090	8	Screw-HHF
15	340-109	1	Fitting-HYD, Tee	25	33116-120	4	Screw-HH
15:1	237-79	1	O-Ring	26	32104-32	2	Screw-HWH
15:2	237-30	2	O-Ring	27	2412-93	2	Clamp-R
16	340-148	2	Fitting-Tee				



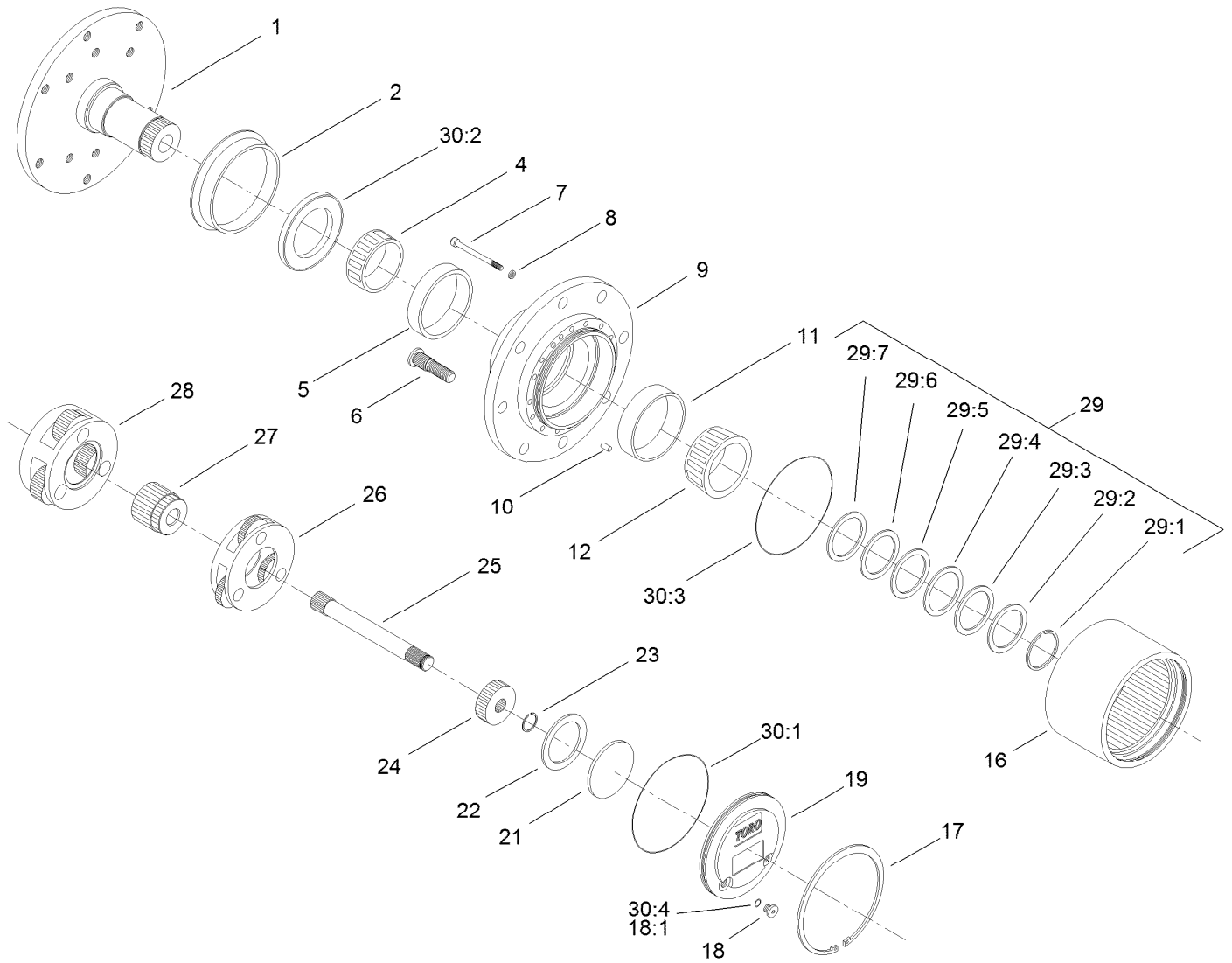
## RH Brake Assembly No. 100-3069

Ref.	Part Number	Qty.	Description
2	93-7977	1	Seal
3	93-7978	1	Rod-Pull
4	93-7983	2	Pin-Clevis
5	93-7980	2	Link
6	93-7979	2	Pin-Hitch
7	93-7986	4	Disc-Stationary
8	104-4278	3	Disc-Rotating
9	93-7976	1	Ring-Retaining
10	93-7984	1	Gasket
11	104-4280	1	Actuator-Rotating
12	93-7987	3	Spring-Extension
13	93-7985	3	Ball
14	353-990	2	Plug ASM
14:1	237-78	1	O-Ring



## LH Brake Assembly No. 100-3070

<i>Ref.</i>	<i>Part Number</i>	<i>Qty.</i>	<i>Description</i>
2	93-7977	1	Seal
3	93-7978	1	Rod-Pull
4	93-7983	2	Pin-Clevis
5	93-7980	2	Link
6	93-7979	2	Pin-Hitch
7	93-7986	4	Disc-Stationary
8	104-4278	3	Disc-Rotating
9	93-7976	1	Ring-Retaining
10	93-7984	1	Gasket
11	104-4279	1	Actuator-Rotating
12	93-7987	3	Spring-Extension
13	93-7985	3	Ball
14	353-990	2	Plug ASM
14:1	237-78	1	O-Ring

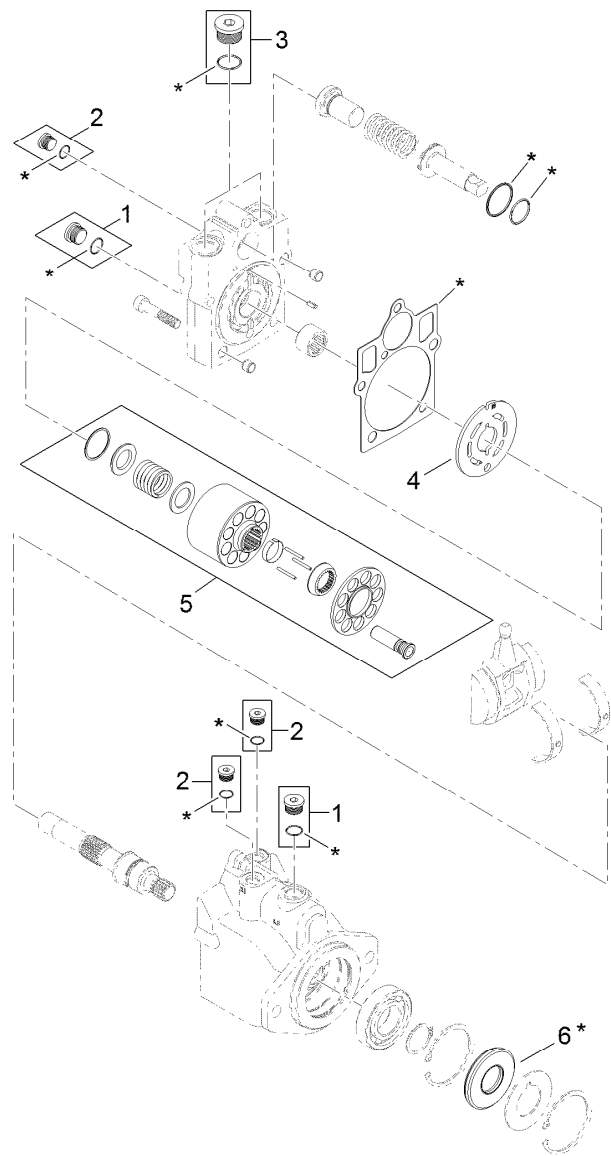


## Planetary Assembly No. 105-4500-03

Ref.	Part Number	Qty.	Description	Ref.	Part Number	Qty.	Description
1		1	Spindle ■	24	105-8114	1	Gear-Primary
2	105-8122	1	Seal-Boot	25	105-8115	1	Shaft-Drive
4	105-8120	1	Bearing-Cone	26	105-8129	1	Primary Carrier ASM
5	105-8119	1	Bearing-Cup	27	105-8139	1	Gear-Secondary
6	105-8124	8	Stud-Wheel	28	105-8130	1	Secondary Carrier ASM
7	105-8125	16	Bolt-Head, Socket	29	105-8136	1	Shim Kit
8	3253-18	16	Washer-Lock	29:1		1	Ring-Snap ■
9		1	Housing ■	29:2		1	Shim-Bearing, 2.9Mm ■
10	105-8121	1	Pin-Dowel	29:3		1	Shim-Bearing, 2.8Mm ■
11	105-8117	1	Bearing-Cup	29:4		1	Shim-Bearing, 2.7Mm ■
12	105-8118	1	Bearing-Cone	29:5		1	Shim-Bearing, 2.6Mm ■
16	105-8113	1	Gear-Ring	29:6		1	Shim-Bearing, 2.5Mm ■
17	105-8132	1	Ring-Retaining	29:7		1	Shim-Bearing, 2.4Mm ■
18	353-990	2	Plug ASM	30	105-8137	1	Seal Kit ●
18:1	237-78	1	O-Ring	30:1		1	O Ring-Flange Cap ■
19	105-8138	1	Cap-End	30:2		1	Seal-Oil ■
21	105-8133	1	Plug-Thrust	30:3		2	O Ring-End Cap ■
22	105-8123	1	Washer-Thrust	30:4	237-78	2	O-Ring
23	105-8131	1	Ring-Retaining				

● Not illustrated

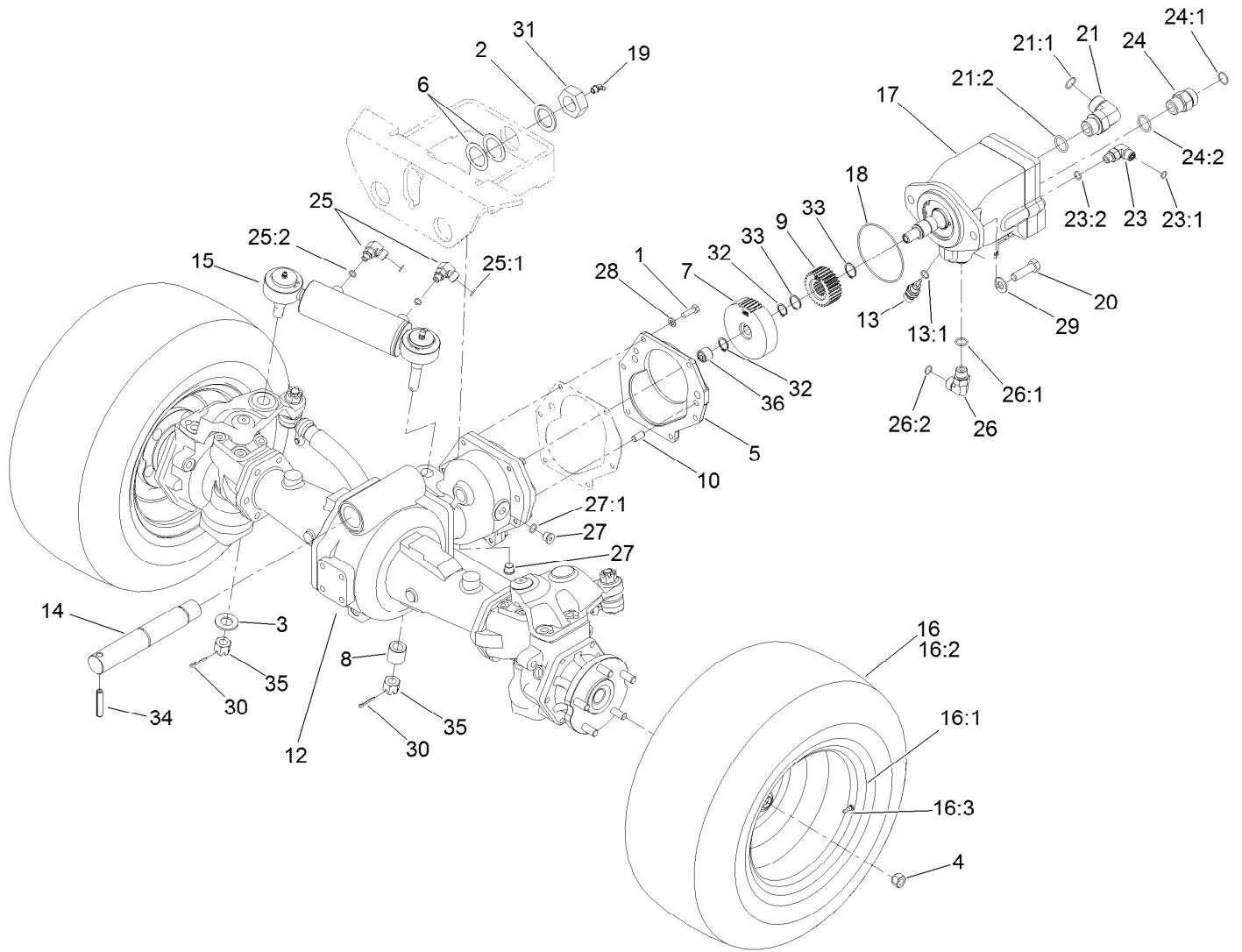
■ Not serviced separately



7 = all items with \* are included in overhaul seal kit

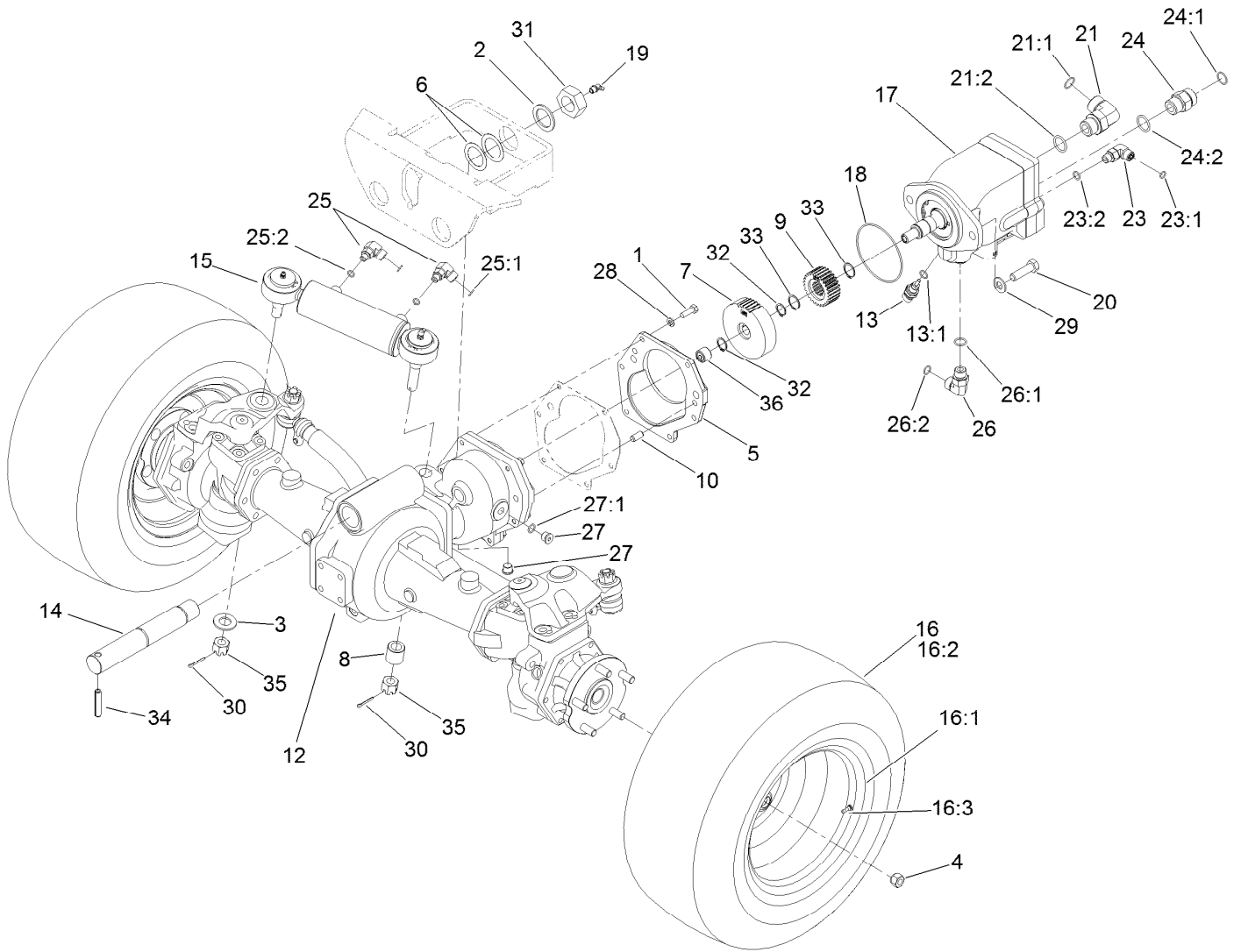
## Hydraulic Piston Motor Assembly

<b>Ref.</b>	<b>Part Number</b>	<b>Qty.</b>	<b>Description</b>
1	67-9090	2	Plug ASM
2	69-3080	3	Plug
3	107-4352	1	Plug
4	121-1734	1	Plate-Valve
5	121-1735	1	Cylinder Block Kit
6	69-3190	1	Seal-Lip
7	121-1736	1	Overhaul Seal Kit



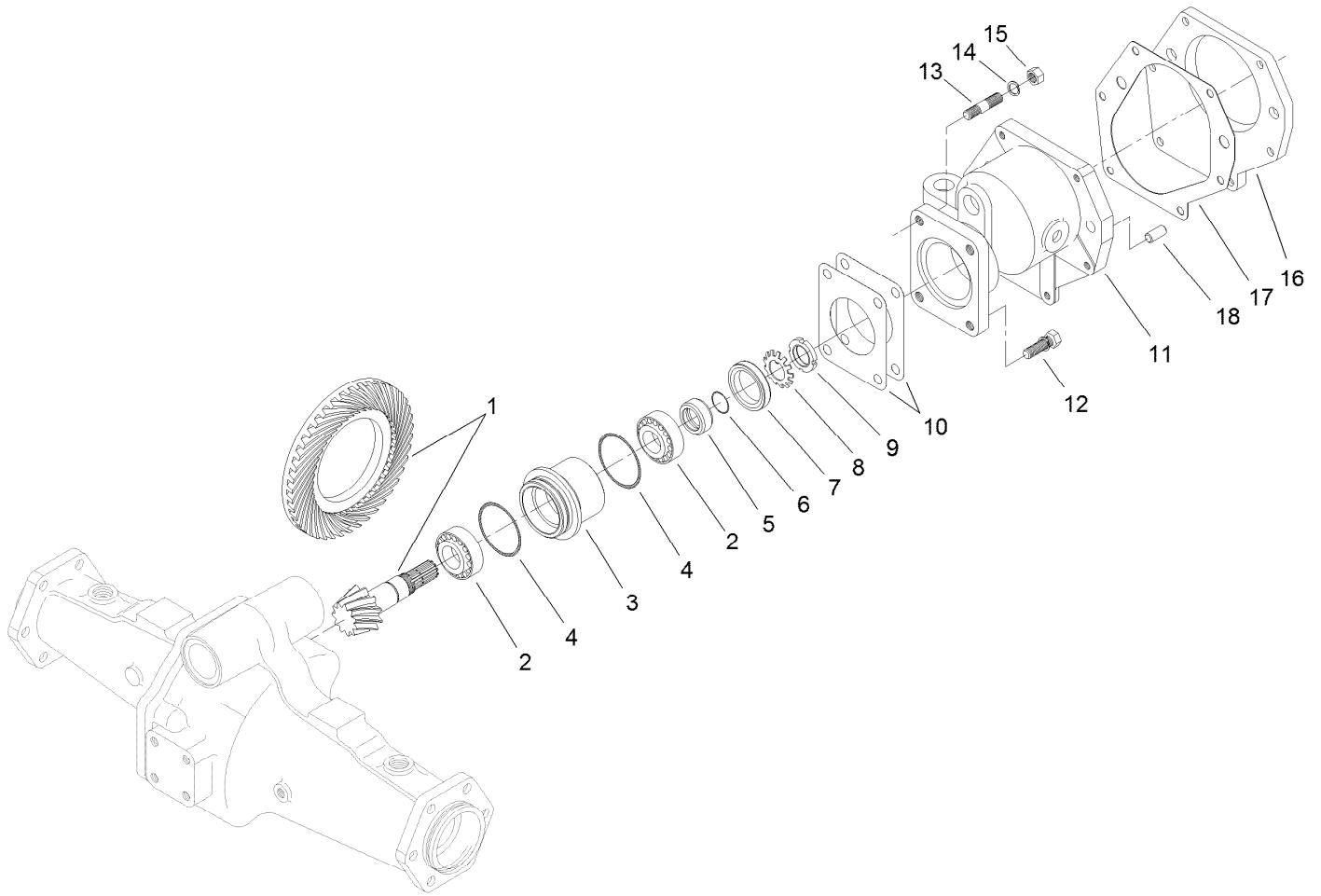
## Rear Traction Assembly

Ref.	Part Number	Qty.	Description	Ref.	Part Number	Qty.	Description
1	33114-025	6	Screw-HH	19	302-33	1	Fitting-Grease
2	92-1765	1	Washer-Thrust	20	325-7	2	Screw-HH
3	92-5836	1	Washer	21	340-142	1	Fitting-HYD, 90 DEG
4	93-5268	10	Nut-Lug	21:1	237-58	1	O-Ring
5	95-7541	1	Plate-Cover	21:2	237-81	1	O-Ring
6	98-3867	2	Washer-Thrust	23	340-77	1	Fitting-HYD, 90 DEG
7	104-5664	1	Gear-44T	23:1	237-22	1	O-Ring
8	100-3796	1	Spacer-Joint, Ball	23:2	237-42	1	O-Ring
9	104-5663	1	Pinion-28T	24	340-9	1	Fitting-HYD, Straight
10	104-2353	1	Pin-Dowel	24:1	237-58	1	O-Ring
12	110-4750	1	Drive Axle ASM	24:2	237-81	1	O-Ring
13	110-8829	1	Sender-Temperature	25	340-97	2	Fitting-HYD, 90 DEG
13:1	237-42	1	O-Ring	25:1	237-22	1	O-Ring
14	115-9142	1	Pin-Rear Axle	25:2	237-78	1	O-Ring
15	119-3903	1	Steer Cylinder ASM	26	340-98	1	Fitting-HYD, 90 DEG
16	120-1666	2	Tire ASM	26:1	237-79	1	O-Ring
16:1	115-1573	1	Rim	26:2	237-30	1	O-Ring
16:2	117-5125	1	Tire	27	353-989	2	Plug-Hex, Hollow
16:3	232-27	1	Stem-Valve	27:1	237-42	1	O-Ring
17	121-3101	1	Motor-Piston	28	3253-4	6	Washer-Lock
18	237-166	1	O-Ring	29	106-9888	2	Washer-Flat



## Rear Traction Assembly (continued)

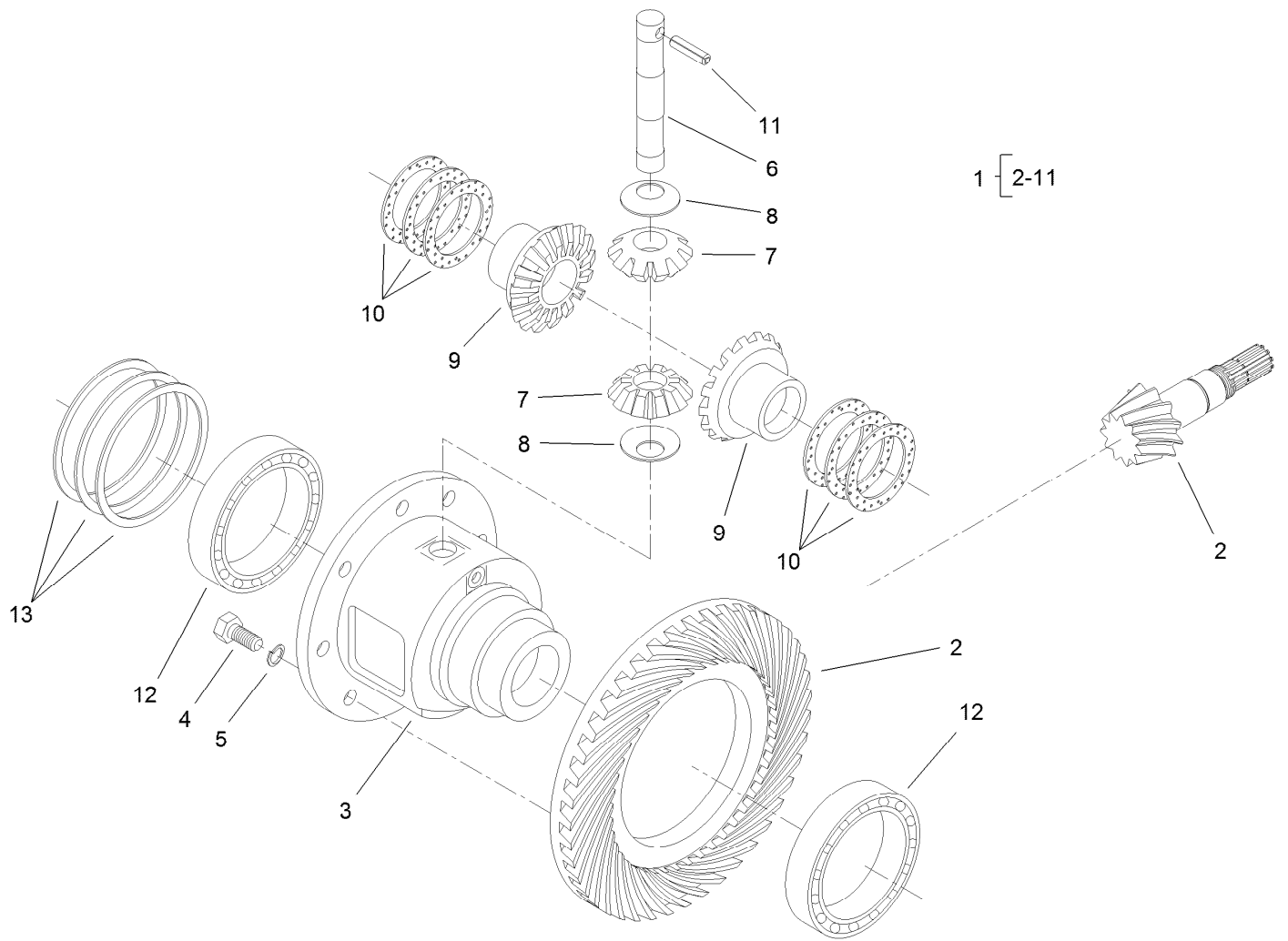
<i>Ref.</i>	<i>Part Number</i>	<i>Qty.</i>	<i>Description</i>	<i>Ref.</i>	<i>Part Number</i>	<i>Qty.</i>	<i>Description</i>
30	3272-11	2	Pin-Cotter	34	32121-110	1	Pin-Roll, Slotted
31	3296-68	1	Nut-Lock, NI	35	32136-14	2	Nut-SHH
32	32120-15	2	Ring-Snap, EXT	36	74-5700	1	Bearing-Needle, Roller
33	32120-76	2	Ring-Snap, EXT				



## Bevel Pinion Shaft Assembly Rear Axle Assembly No. 110-4750

<i>Ref.</i>	<i>Part Number</i>	<i>Qty.</i>	<i>Description</i>
1	106-1093	1	Ring And Pinion, Matched Set
2	99-7570	2	Bearing-Roller, Taper
3	95-7534	1	Case-Bearing
4	106-1065	2	O-Ring
5	99-7572	1	Collar-Seal, Oil
6	106-1066	1	O-Ring
7	99-7574	1	Seal-Oil
8	99-7559	1	Washer-Lock
9	99-7560	1	Nut-Lock

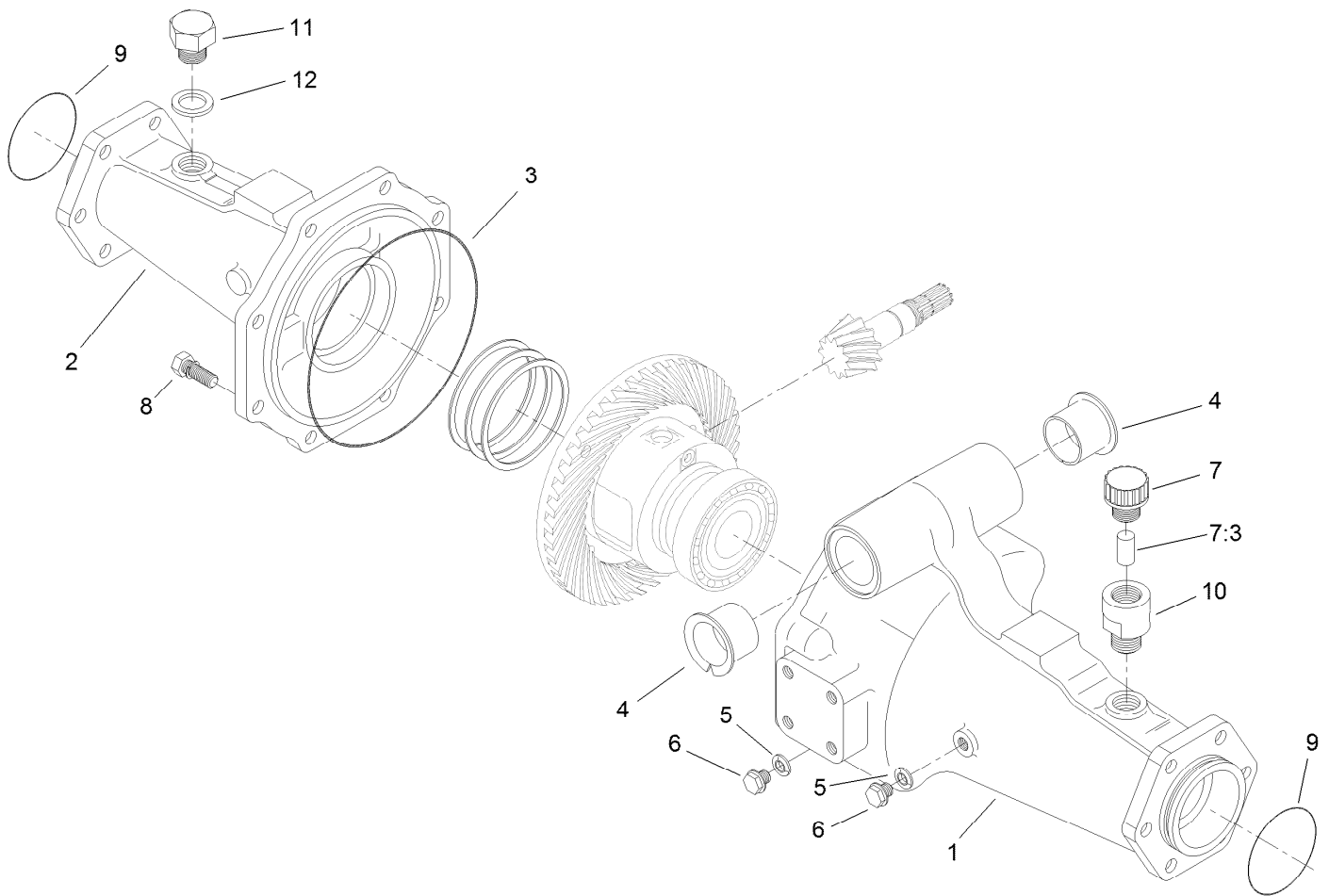
<i>Ref.</i>	<i>Part Number</i>	<i>Qty.</i>	<i>Description</i>
10	99-7550	2	Shim 0.1
10	99-7551	2	Shim 0.2
11	95-7533	1	Case-Gear
12	99-7575	2	Bolt
13	98-7735	2	Stud
14	99-7527	2	Washer-Spring
15	99-7526	2	Nut
16	95-7541	1	Plate-Cover
17	106-1140	1	Gasket
18	104-2353	2	Pin-Dowel



## Differential Assembly Rear Axle Assembly No. 110-4750

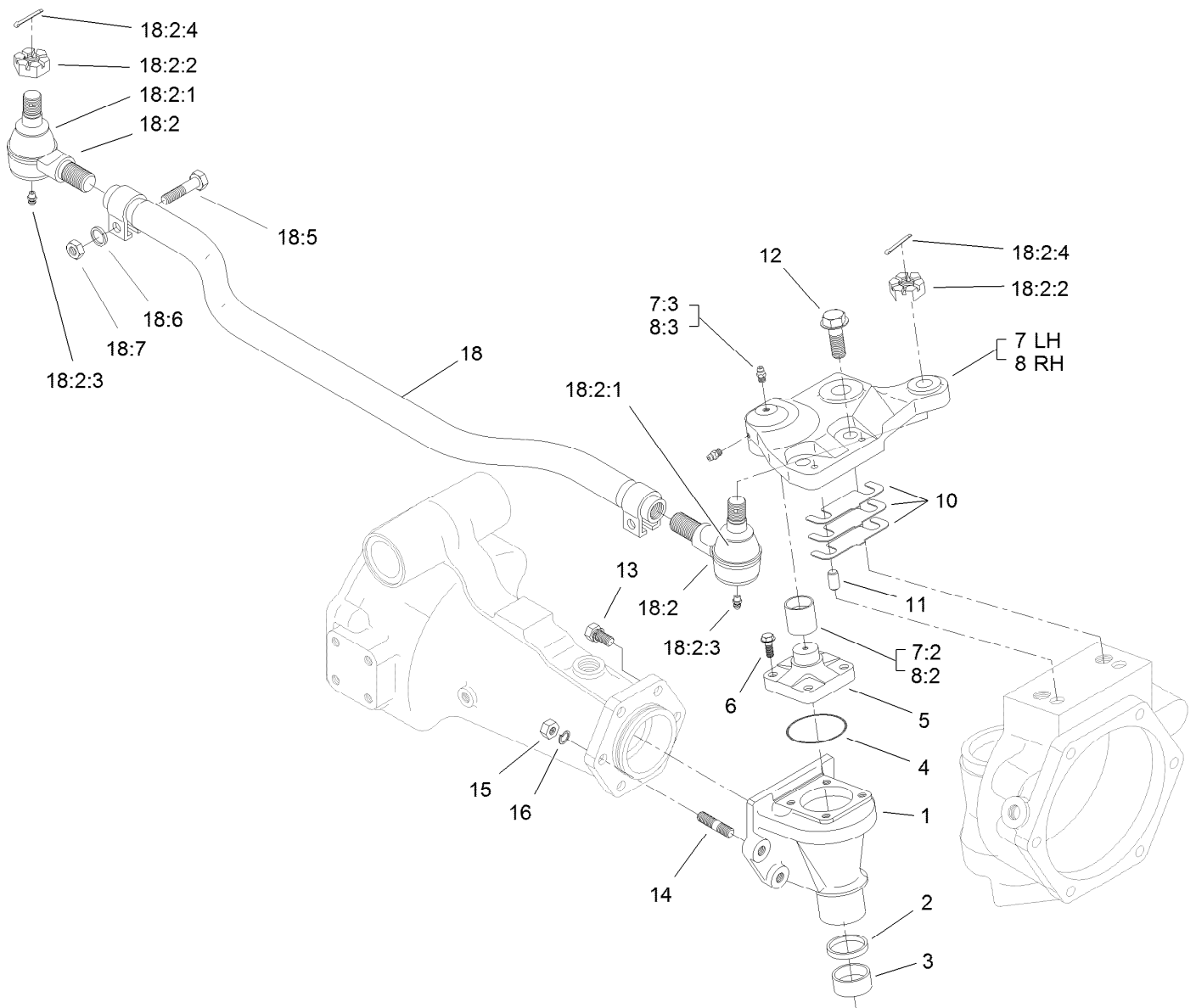
<i>Ref.</i>	<i>Part Number</i>	<i>Qty.</i>	<i>Description</i>
1	95-7503	1	Differential ASM
2	106-1093	1	Ring And Pinion, Matched Set
3	95-7502	1	Case-Differential
4	99-7576	8	Bolt
5	3253-4	8	Washer-Lock
6	99-7578	1	Shaft-Differential
7	99-7579	2	Pinion-Differential
8	99-7580	2	Washer-Differential

<i>Ref.</i>	<i>Part Number</i>	<i>Qty.</i>	<i>Description</i>
9	99-7581	2	Gear-Differential
10	99-7582	2	Washer-Differential
10	99-7583	2	Washer-Differential
10	99-7584	2	Washer-Differential
11	99-7588	1	Pin-Spring
12	99-7562	2	Bearing-Ball
13	99-7585	2	Shim 0.1
13	99-7586	2	Shim 0.2
13	99-7587	2	Shim 0.4



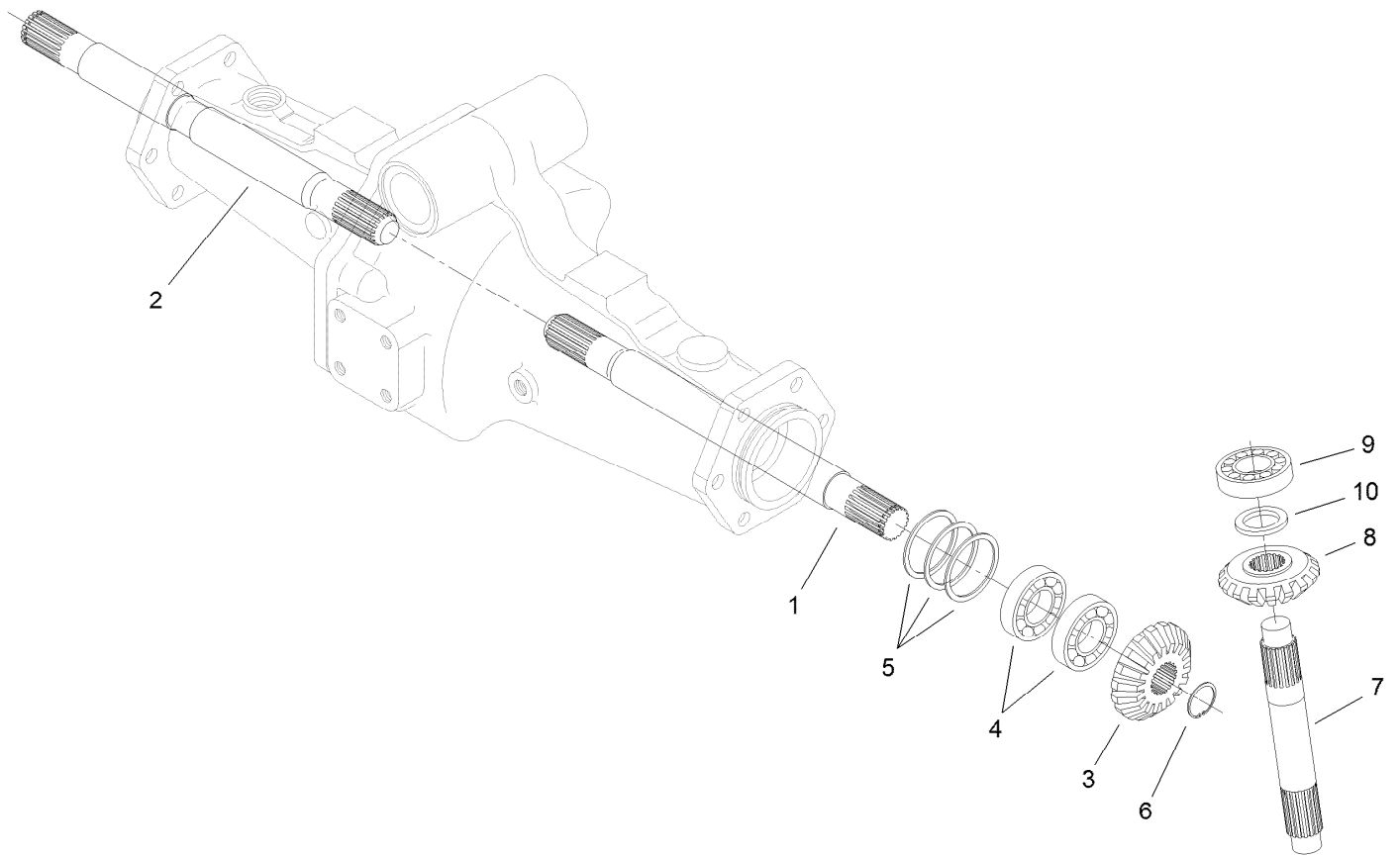
## Axle Support Assembly Rear Axle Assembly No. 110-4750

<i>Ref.</i>	<i>Part Number</i>	<i>Qty.</i>	<i>Description</i>
1	95-7508	1	Support-Axle
2	95-7506	1	Support-Axle
3	106-1067	1	O-Ring
4	95-7537	2	Bushing-Flanged
5	99-7590	2	Washer-Seal
6	99-7589	2	Plug
7	110-4812	1	Axle Vent ASM
7:3	110-4815	1	Insert-Filter, Foam
8	99-7592	8	Bolt
9	106-1068	2	O-Ring
10	104-2377	1	Extension-Vent
11	104-8643	1	Plug
12	104-8644	1	O-Ring



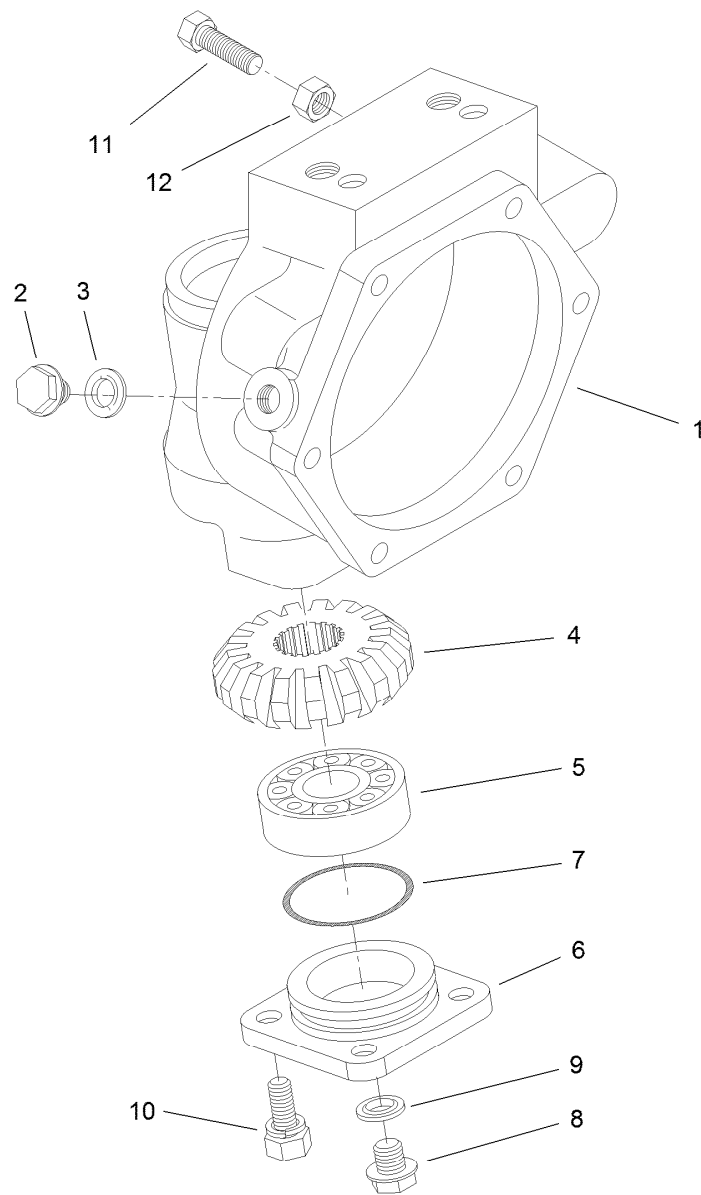
## Bevel Gear Case Assembly Rear Axle Assembly No. 110-4750

Ref.	Part Number	Qty.	Description	Ref.	Part Number	Qty.	Description
1	110-4752	2	Case-Gear, Bevel	12	104-2375	4	Bolt
2	110-4754	2	Seal-Oil	13	99-7599	8	Bolt
3	104-2378	2	Bushing	14	99-7525	4	Stud
4	106-1069	2	O-Ring	15	99-7526	4	Nut
5	104-2373	2	Knuckle	16	99-7527	4	Washer-Spring
6	104-2374	8	Bolt	18	106-1141	1	Steering Tie Rod ASM
7	100-3768	1	LH Steering Arm ASM	18:2	106-1113	2	Tie Rod End ASM - RH Thread
7:2	104-8634	1	Bushing	18:2:1	100-3853	1	Cover-Dust
7:3	106-1104	2	Fitting-Grease	18:2:2	100-3854	1	Nut-Castle
8	100-3766	1	RH Steering Arm ASM	18:2:3	110-4755	1	Fitting-Grease
8:2	104-8634	1	Bushing	18:2:4	3272-11	1	Pin-Cotter
8:3	106-1104	2	Fitting-Grease	18:5	100-3855	2	Bolt
10	95-7547	2	Shim 0.1	18:6	99-7527	2	Washer-Spring
10	95-7548	2	Shim 0.2	18:7	99-7526	2	Nut
10	95-7549	2	Shim 0.3				
11	99-7597	4	Pin-Dowel				



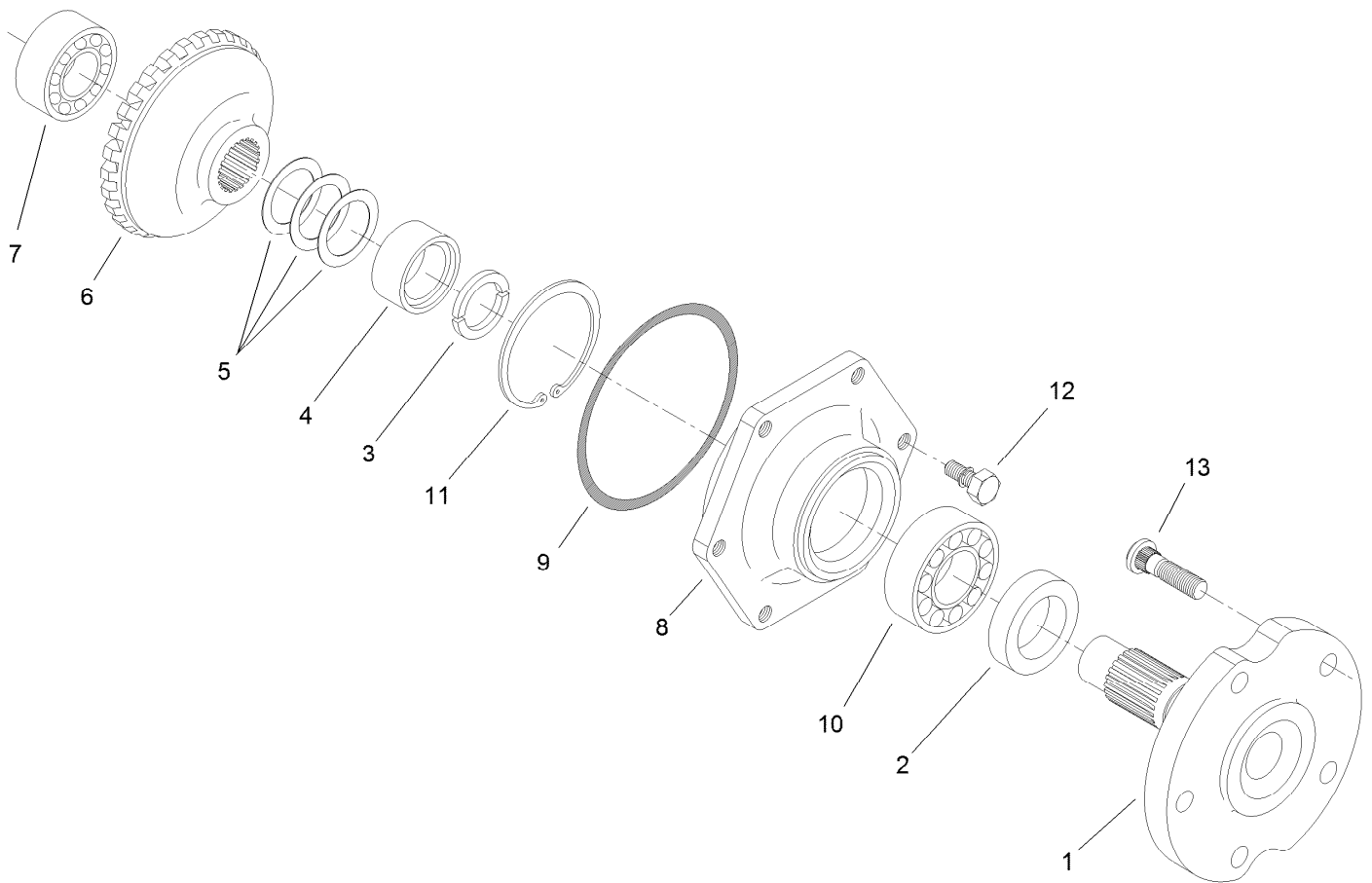
## Bevel Gear Shaft Assembly Rear Axle Assembly No. 110-4750

<i>Ref.</i>	<i>Part Number</i>	<i>Qty.</i>	<i>Description</i>
1	95-7509	1	Shaft-Gear, Differential
2	95-7512	1	Shaft-Gear, Differential
3	95-7517	2	Gear-Bevel, 15 Tooth
4	99-7530	4	Bearing-Ball
5	99-7552	2	Shim 0.1
5	99-7553	2	Shim 0.2
5	99-7554	2	Shim 0.5
6	99-7531	2	Clip
7	110-4753	2	Shaft-Gear, Bevel
8	95-7519	2	Gear-Bevel, 17 Tooth
9	99-7532	2	Bearing-Roller, Taper
10	99-7558	2	Collar



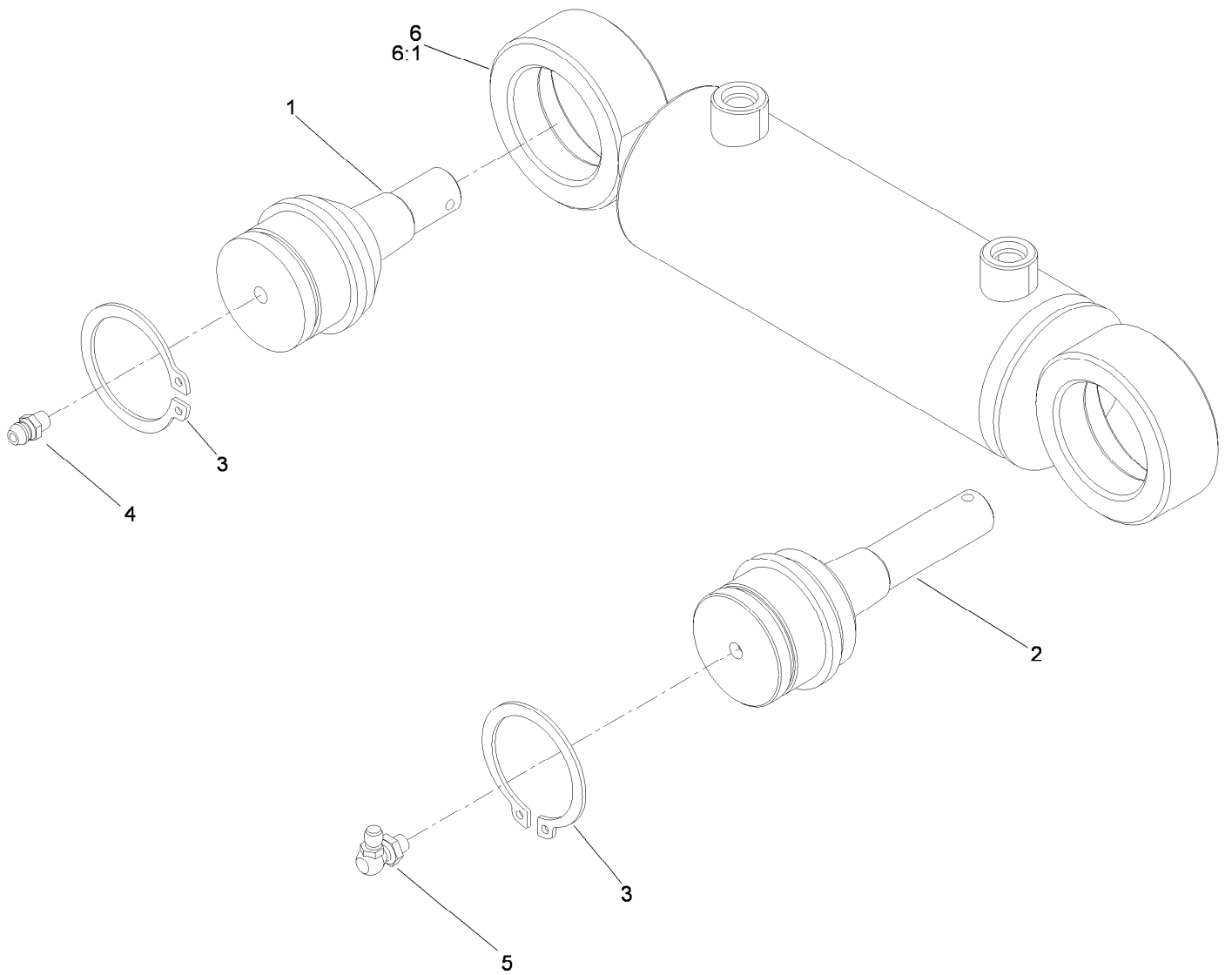
## Axle Case Assembly Rear Axle Assembly No. 110-4750

<i>Ref.</i>	<i>Part Number</i>	<i>Qty.</i>	<i>Description</i>
1	110-4751	2	Case-Axle
2	99-7535	2	Plug
3	99-7536	2	Washer-Seal
4	95-7527	2	Gear-Bevel, 17 Tooth
5	99-7532	2	Bearing-Roller, Taper
6	100-2560	2	Cover
7	106-1070	2	O-Ring
8	99-7589	2	Plug
9	99-7590	2	Washer-Seal
10	100-2562	8	Bolt
11	106-1102	2	Bolt-Stop
12	106-1103	2	Nut



## Axle Assembly Rear Axle Assembly No. 110-4750

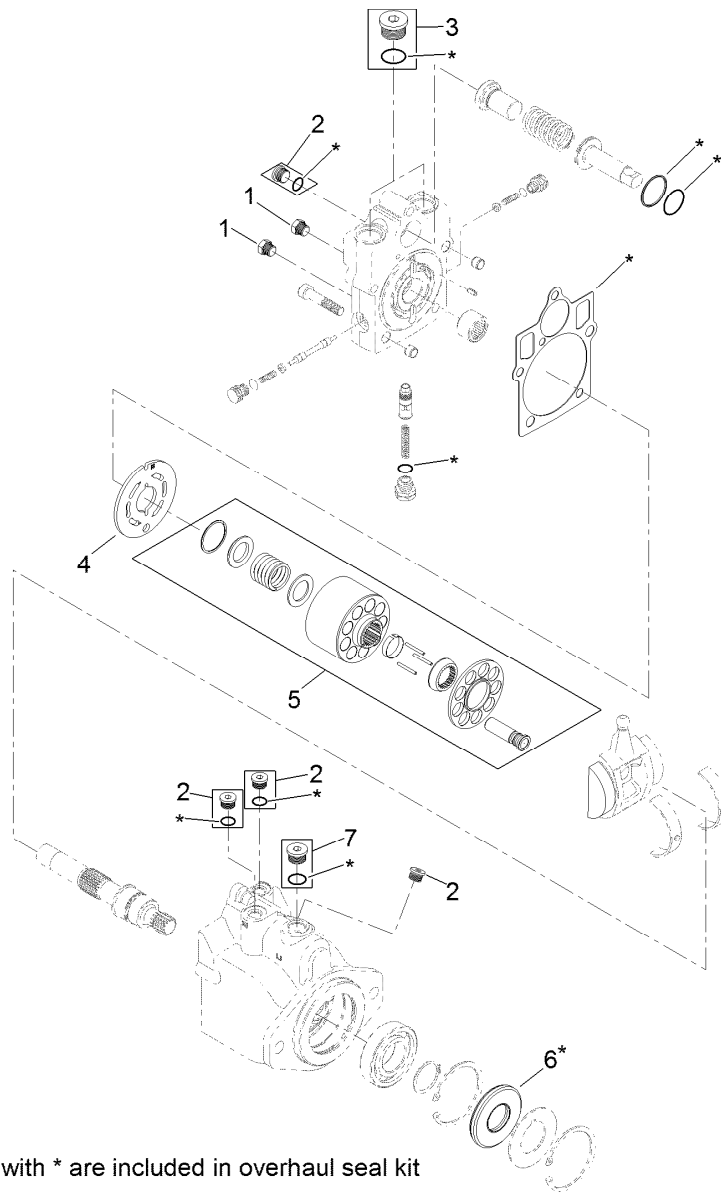
<i>Ref.</i>	<i>Part Number</i>	<i>Qty.</i>	<i>Description</i>
1	95-7522	2	Axle
2	99-7564	2	Seal-Oil
3	95-7544	4	Clip
4	95-7523	2	Spacer
5	99-7555	2	Shim 0.3
5	99-7556	2	Shim 0.2
5	99-7557	2	Shim 0.5
6	95-7524	2	Gear-Bevel, 29 Tooth
7	99-7534	2	Bearing-Ball
8	95-7521	2	Cover-Axle
9	106-1071	2	O-Ring
10	99-7561	2	Bearing-Ball
11	99-7539	2	Clip
12	99-7596	12	Bolt
13	99-7563	10	Stud



## Steer Cylinder Assembly No. 119-3903

<i>Ref.</i>	<i>Part Number</i>	<i>Qty.</i>	<i>Description</i>
1	106-6774	1	Joint-Ball
2	100-3795	1	Joint-Ball
3	32151-104	2	Ring-Retaining, External
4	302-5	1	Fitting-Grease
5	302-60	1	Fitting-Grease
6	125-1661	1	Cylinder-HYD
6:1	125-1681	1	Cylinder Repair Kit ●

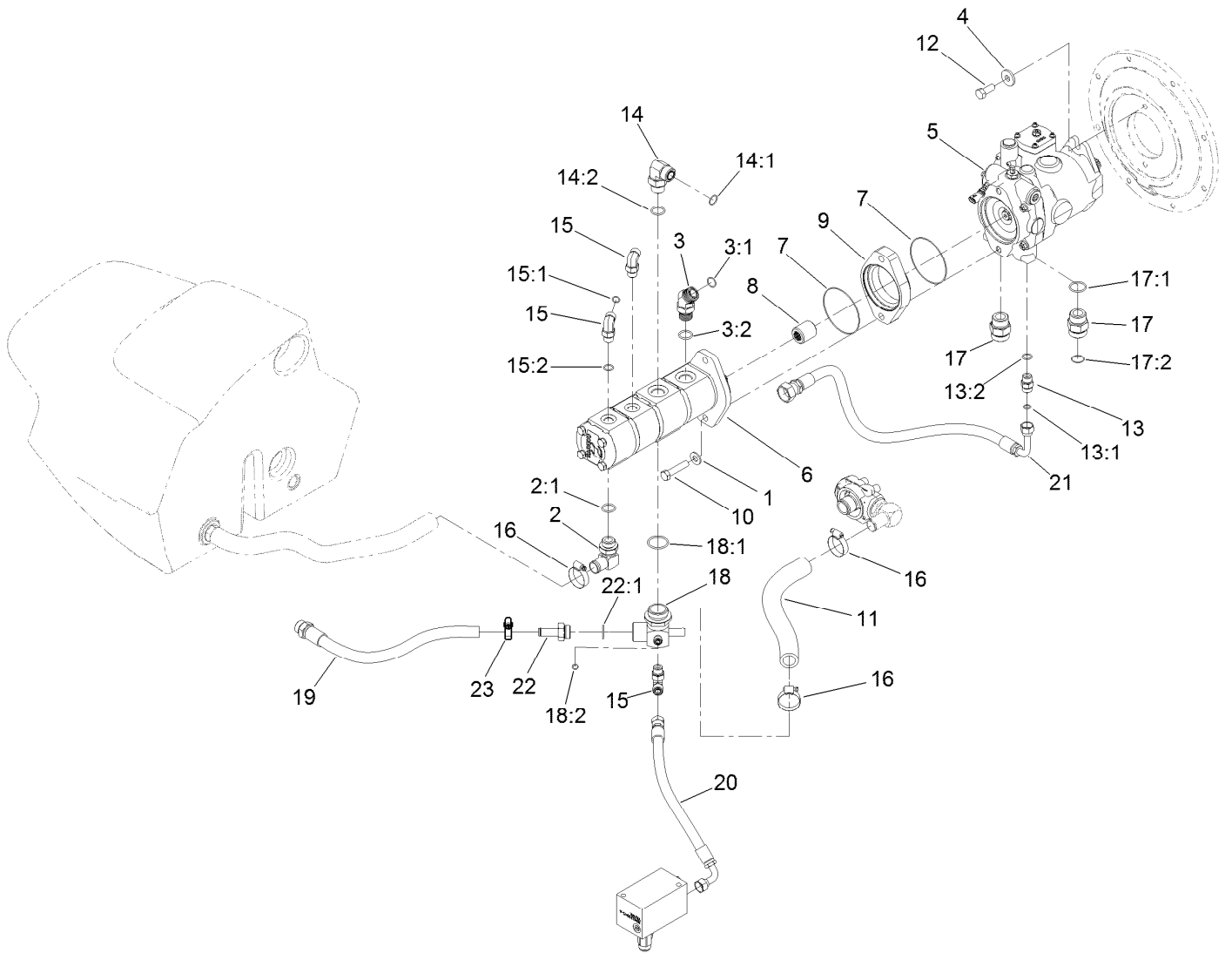
● Not illustrated



8= all items with \* are included in overhaul seal kit

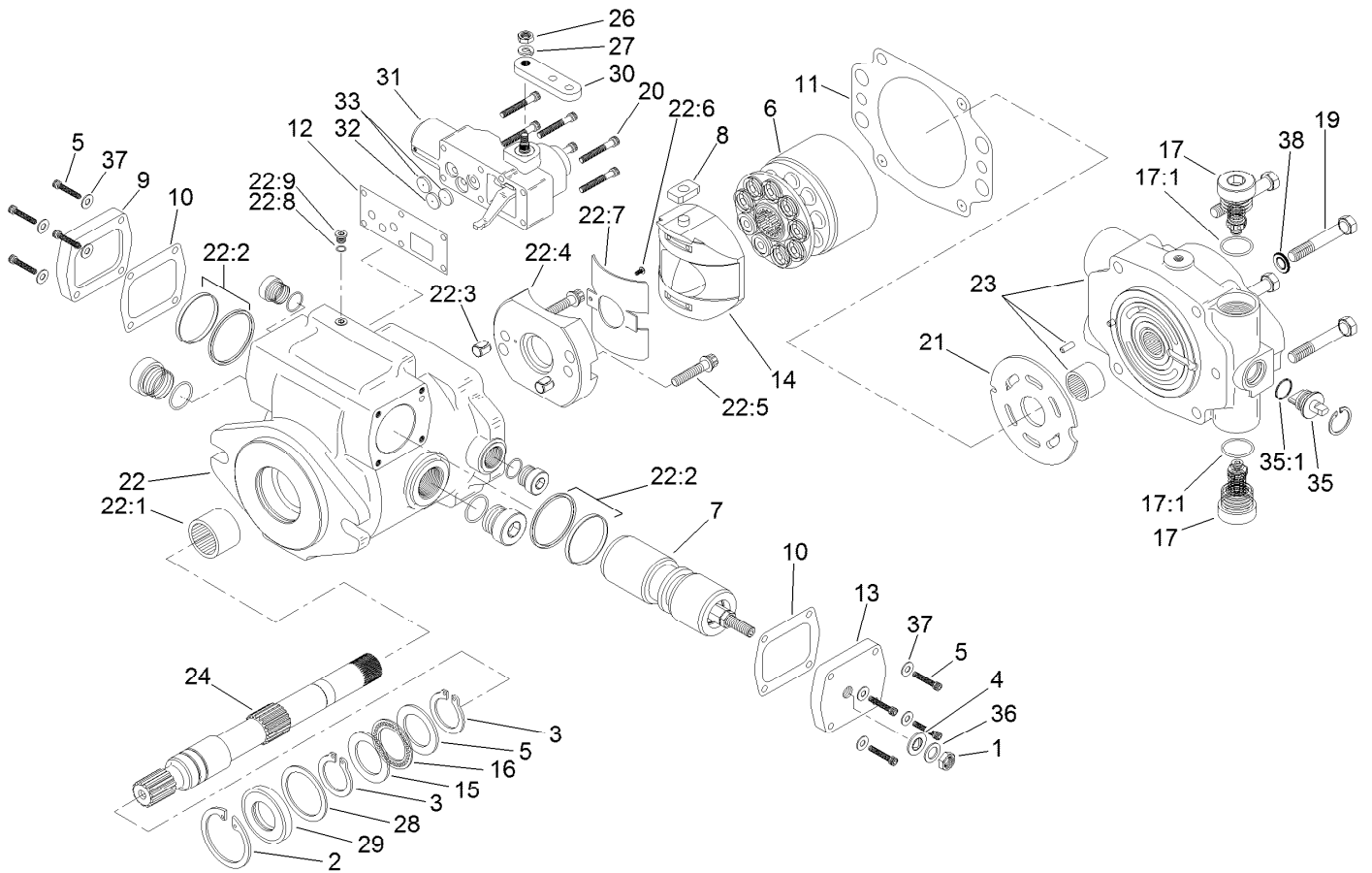
## Piston Motor Assembly No. 121-3101

Ref.	Part Number	Qty.	Description
1	92-1352	2	Plug
2	69-3080	5	Plug
3	69-3130	2	Plug
4	125-4638	1	Valve Plate
5	125-4639	1	Cylinder Block Kit
6	69-3190	1	Seal-Lip
7	67-9090	1	Plug ASM
8	121-1736	1	Overhaul Seal Kit



## Hydraulic Pump Assembly

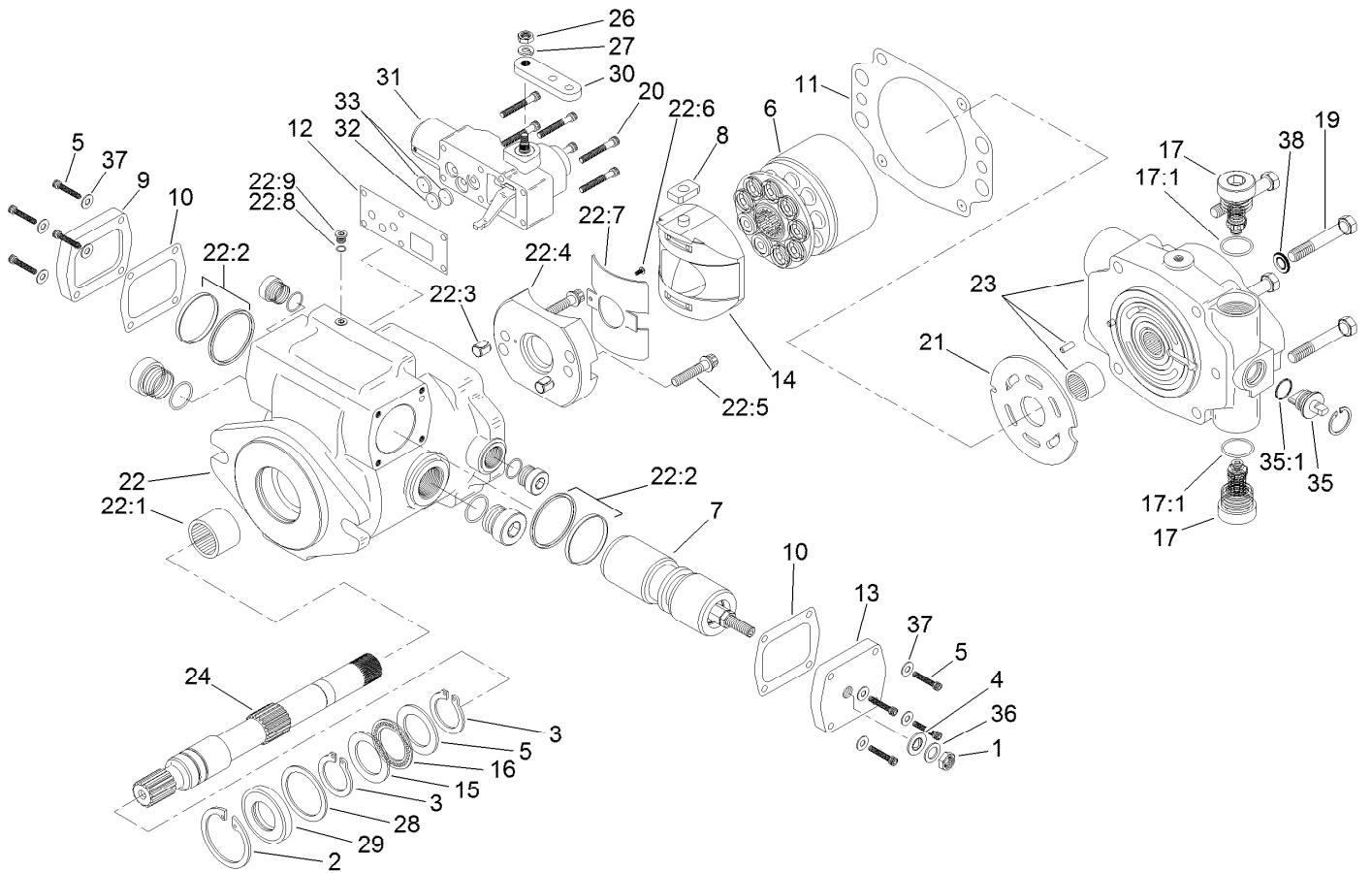
Ref.	Part Number	Qty.	Description	Ref.	Part Number	Qty.	Description
1	87-7270	2	Washer-Thrust	14:1	237-58	1	O-Ring
2	100-4202	1	Fitting-HYD, 90 DEG	14:2	237-81	1	O-Ring
2:1	237-81	1	O-Ring	15	340-98	3	Fitting-HYD, 90 DEG
3	100-5530	1	Fitting-HYD, 45 DEG	15:1	237-79	1	O-Ring
3:1	237-58	1	O-Ring	15:2	237-30	1	O-Ring
3:2	237-81	1	O-Ring	16	2412-111	3	Clamp
4	110-6147	2	Washer-Flat	17	104-3797	2	Fitting-HYD, Straight
5	114-4188	1	Piston Pump ASM	17:1	237-146	1	O-Ring
6	114-4189	1	4-Section Pump ASM	17:2	340-65	1	O-Ring
7	115-3009	2	O-Ring	18	130-1616	1	Fitting-Tee
8	115-3011	1	Coupler-Pump	18:1	237-101	1	O-Ring
9	115-3757	1	Spacer-Pump	18:2	237-22	1	O-Ring
10	115-8488	2	Screw-HH	19	121-3079	1	Hose ASM
11	121-3062	1	Hose-Suction	20	125-4616	1	Hose ASM
12	325-5	2	Screw-HH	21	130-1633	1	Hose ASM
13	340-4	1	Fitting-HYD, Straight	22	121-1526	1	Fitting-Straight
13:1	237-30	1	O-Ring	22:1	237-81	1	O-Ring
13:2	237-79	1	O-Ring	23	2412-129	1	Clamp-Hose
14	340-142	1	Fitting-HYD, 90 DEG				



## Piston Pump Assembly No. 114-4188

Ref.	Part Number	Qty.	Description	Ref.	Part Number	Qty.	Description
1	3220-3	1	Nut-HJ	19	323-45	4	Screw-HH
2	60-6260	1	Ring	20	93-6324	6	Screw
3	76-7000	2	Ring-Retaining	21	105-9854	1	Plate-Valve
4	94-3027	1	Washer-Seal	22	105-9855	1	Housing ASM
5	93-6337	8	Screw	22:1		1	Bearing ●
6	105-9851	1	Rotating Kit	22:2		2	Seal ASM ●
7	105-4572	1	Servo Piston ASM	22:3		2	Dowel-Bushing ●
8	94-3032	1	Follower-Piston	22:4		1	Cradle ASM ●
9	94-3033	1	Plate-Cover	22:5		2	Screw ●
10	93-6339	2	Gasket	22:6		1	Screw ●
11	105-2900	1	Gasket-Housing	22:7		1	Bushing ●
12	105-2901	1	Gasket-Housing, Control	22:8		1	O-Ring ●
13	105-9853	1	Plate-Cover	22:9		1	Plug ●
14	94-3026	1	Camplate ASM	23	115-4445	1	Endcover Sub ASM
15	76-6950	2	Race-Thrust	24	115-3008	1	Shaft-Drive
16	76-6960	1	Bearing-Thrust	26	93-6327	1	Nut
17	105-2857	2	Valve-Relief	27	3253-3	1	Washer-Lock
17:1		1	O-Ring ●	28	60-6240	1	Washer

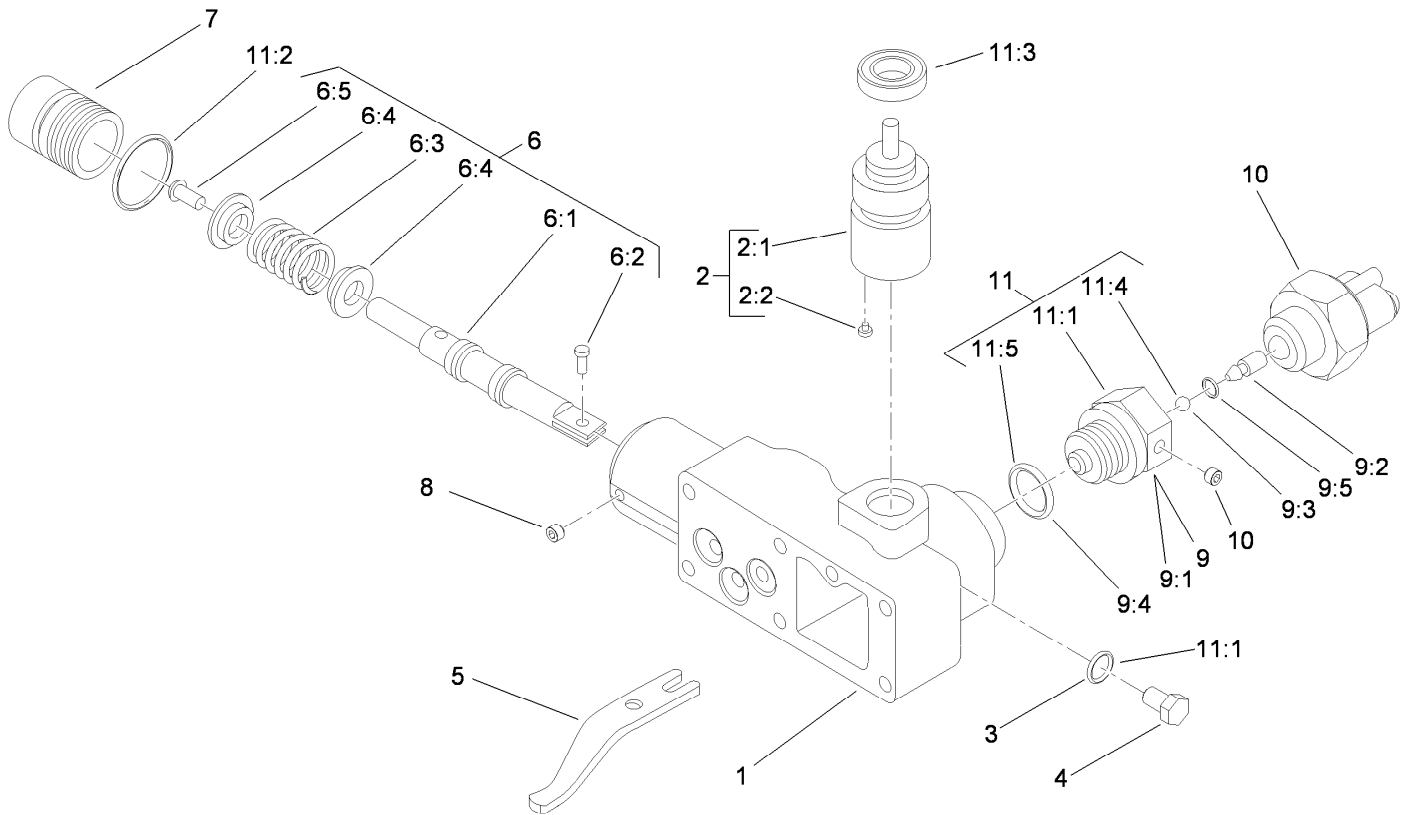
● Not serviced separately



## Piston Pump Assembly No. 114-4188 (continued)

Ref.	Part Number	Qty.	Description	Ref.	Part Number	Qty.	Description
29	105-3331	1	Seal-Shaft	35	105-2864	1	Valve-Bypass
30	110-0036	1	Arm-Control	35:1		1	O-Ring ●
31	115-4446	1	Manual Servo Control ASM	36	94-3030	1	Washer
32	105-2909	1	Orifice-Control, .036 Dia	37	93-6336	8	Washer
33	94-3041	2	Orifice-Control (.028 Dia)	38	105-9762	4	Washer

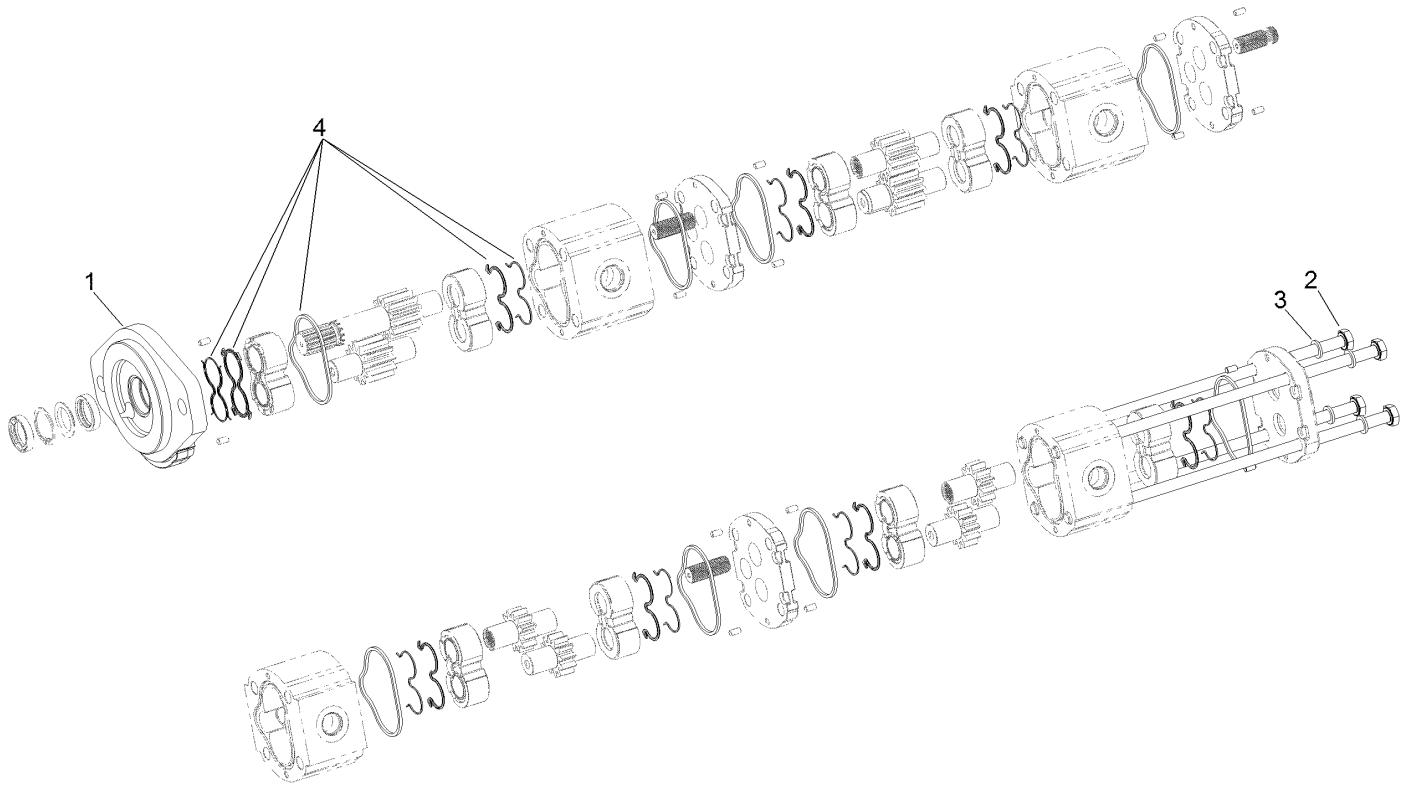
● Not serviced separately



## Control Assembly No. 115-4446

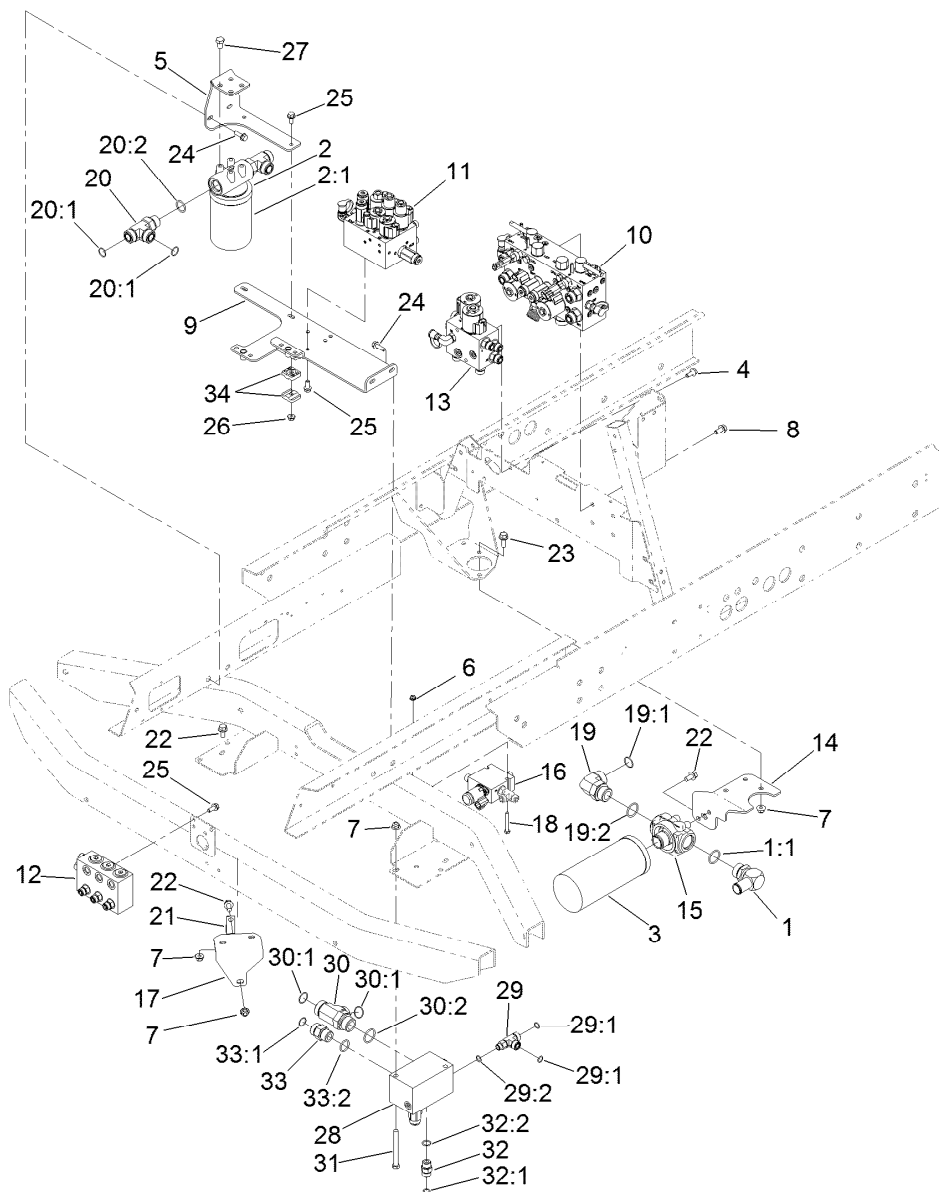
Ref.	Part Number	Qty.	Description	Ref.	Part Number	Qty.	Description
1		1	Housing-Control ●	8		2	Screw-Set ●
2	108-7099	1	Input Control Shaft ASM	9	108-8003	1	Adaptor ASM
2:1		1	Shaft ●	9:1		1	Adaptor-Lockout, Neutral ●
2:2		1	Pin ●	9:2		1	Pin ●
3		1	O-Ring ●	9:3		1	Ball ●
4		1	Plug ●	9:4		1	O-Ring ●
5		1	Link-Feedback ●	9:5		1	O-Ring ●
6	108-7098	1	Valve Spool ASM	10	115-3795	1	Switch-Neutral
6:1		1	Valve-Spool ●	11	94-3044	1	Seal Kit
6:2		1	Pin-Dowel ●	11:1	117-8979	1	Seal-Shaft
6:3		1	Spring ●	11:2	105-2901	1	Gasket-Housing, Control
6:4		2	Retainer ●	11:3		1	O-Ring ●
6:5		1	Screw ●	11:4		1	O-Ring ●
7		1	Plug ●	11:5		1	Seal-Wiper ●

● Not serviced separately



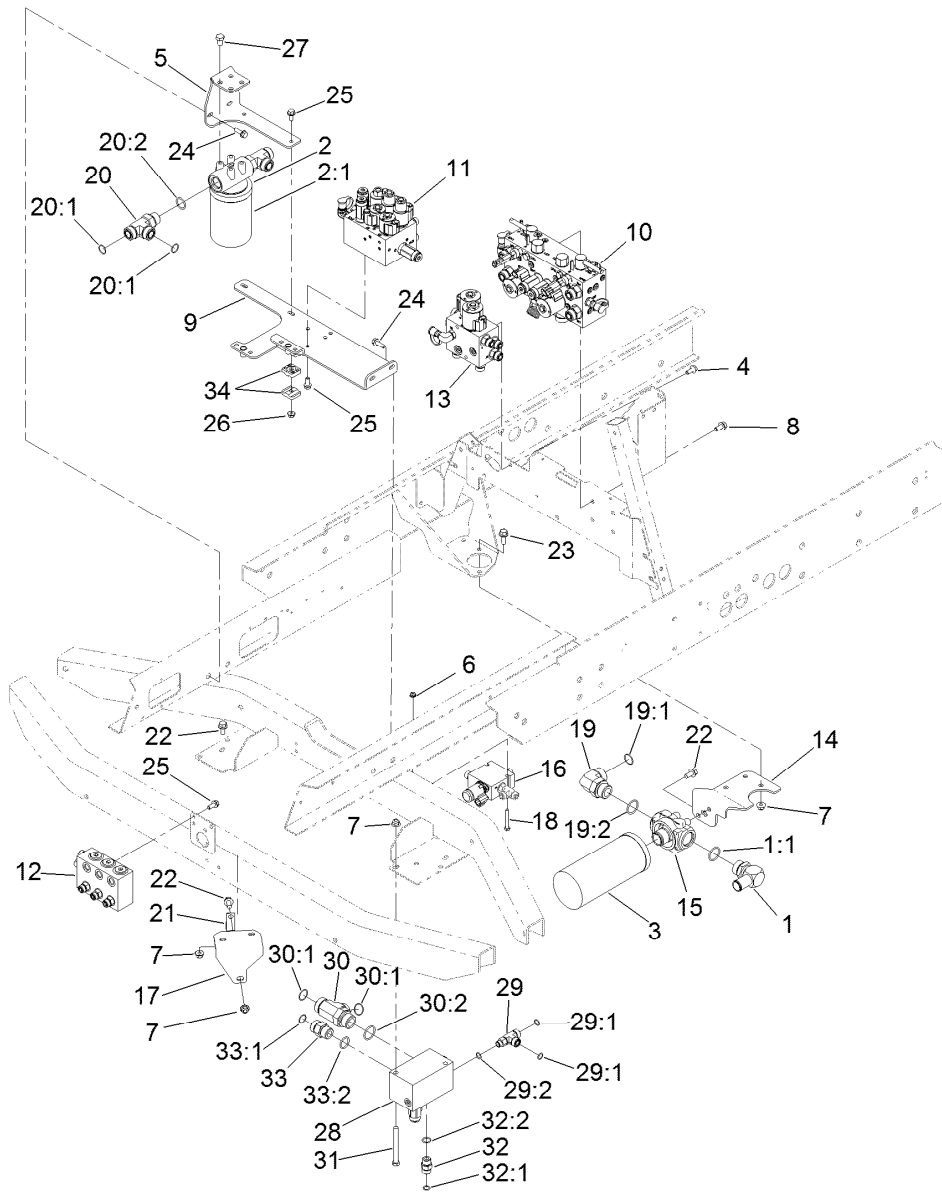
## Four Section Pump Assembly No. 114-4189

<i>Ref.</i>	<i>Part Number</i>	<i>Qty.</i>	<i>Description</i>
1	115-3774	1	Cover-Front
2	115-4444	4	Bolt
3	115-9138	4	Washer
4	115-3776	1	Seal Kit



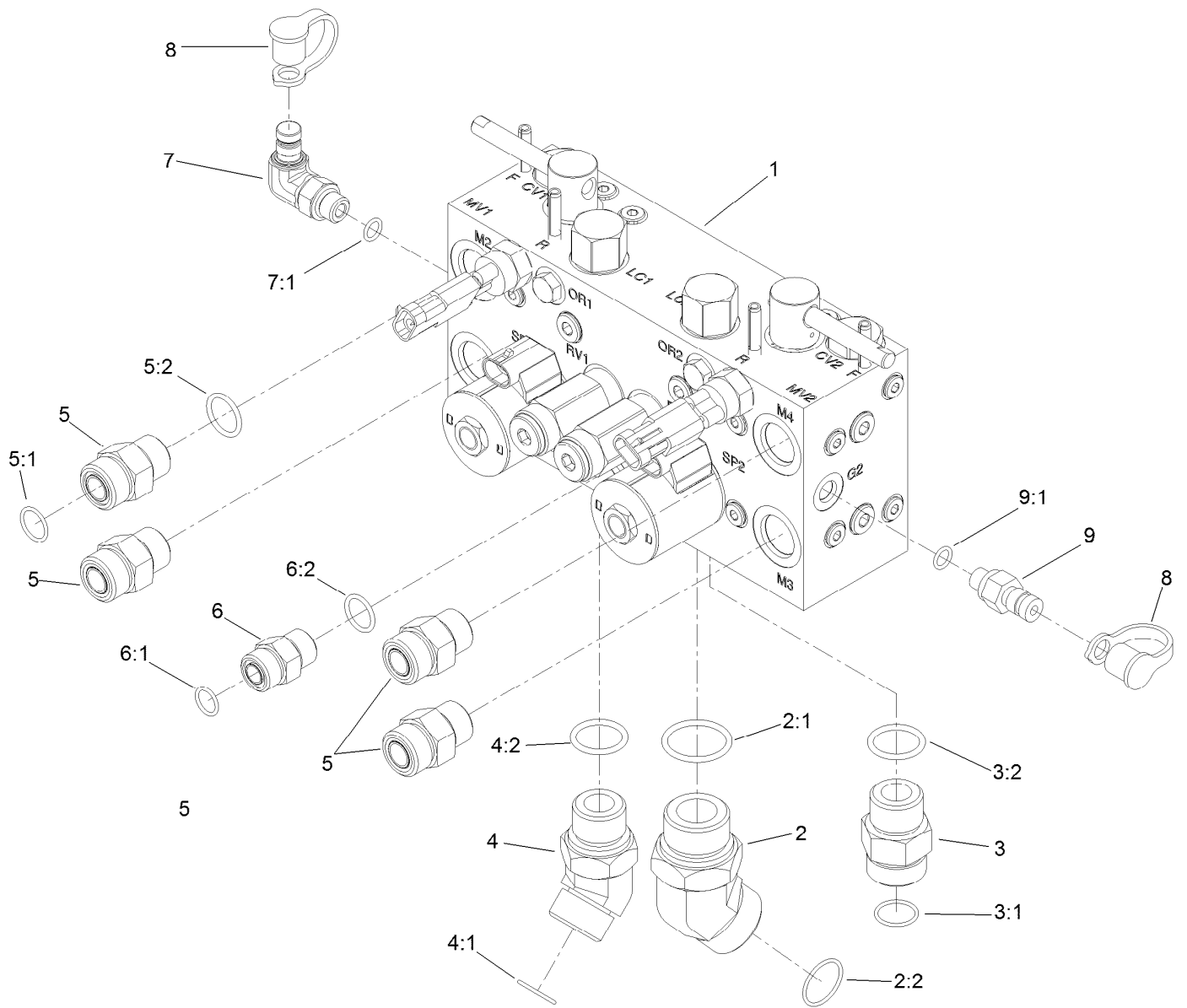
## Hydraulic System Componets Assembly

Ref.	Part Number	Qty.	Description	Ref.	Part Number	Qty.	Description
1	23-8910	1	Stem-Barb, 90 DEG	19:1	237-146	1	O-Ring
1:1	237-146	1	O-Ring	19:2	340-65	1	O-Ring
2	93-2242	1	Filter-Oil	20	340-148	2	Fitting-Tee
2:1	75-1310	1	Filter-HYD	20:1	237-81	1	O-Ring
3	94-2621	1	Element-Filter	20:2	237-58	2	O-Ring
4	100-1668	2	Screw-Flange	21	2412-150	1	Clip-J
5	104-5492-03	1	Bracket-Mount, Filter	22	3234-1	5	Screw-HHF
6	104-7201	2	Nut-HF	23	3234-11	2	Screw-HHF
7	104-8301	7	Nut-Flange, NI	24	115-1794	1	Screw-HHF
8	110-1718	4	Screw-HHF	25	3234-5	9	Screw-HHF
9	117-2362	1	Bracket-Mount, Valve	26	104-8300	2	Nut-Flange, NI
10	130-1656	1	Mow Manifold ASM	27	33115-016	4	Screw-HH
11	130-1669	1	Lift Manifold ASM	28	121-3078	1	Rear Traction Manifold ASM
12	130-1670	1	Junction Manifold ASM	29	110-0064	1	Fitting-Tee
13	119-3943	1	Fan Drive Manifold ASM	29:1	237-30	2	O-Ring
14	120-8022-03	1	Plate-Mount, Filter	29:2	237-42	1	O-Ring
15	121-1577	1	Head-Filter	30	104-3795	1	Fitting-HYD, Tee
16	121-3077	1	3 Way Valve Manifold ASM	30:1	340-65	2	O-Ring
17	121-3089-03	1	Plate-Mount,Tube	30:2	237-146	1	O-Ring
18	321-11	2	Screw-HH	31	323-42	2	Screw-HH
19	340-129	1	Fitting-HYD, 90	32	340-4	1	Fitting-HYD, Straight



## Hydraulic System Components Assembly (continued)

<i>Ref.</i>	<i>Part Number</i>	<i>Qty.</i>	<i>Description</i>	<i>Ref.</i>	<i>Part Number</i>	<i>Qty.</i>	<i>Description</i>
32:1	237-30	1	O-Ring	33:1	237-58	1	O-Ring
32:2	237-79	1	O-Ring	33:2	237-81	1	O-Ring
33	340-9	1	Fitting-HYD, Straight	34	56-7973	2	Clamp-Tube

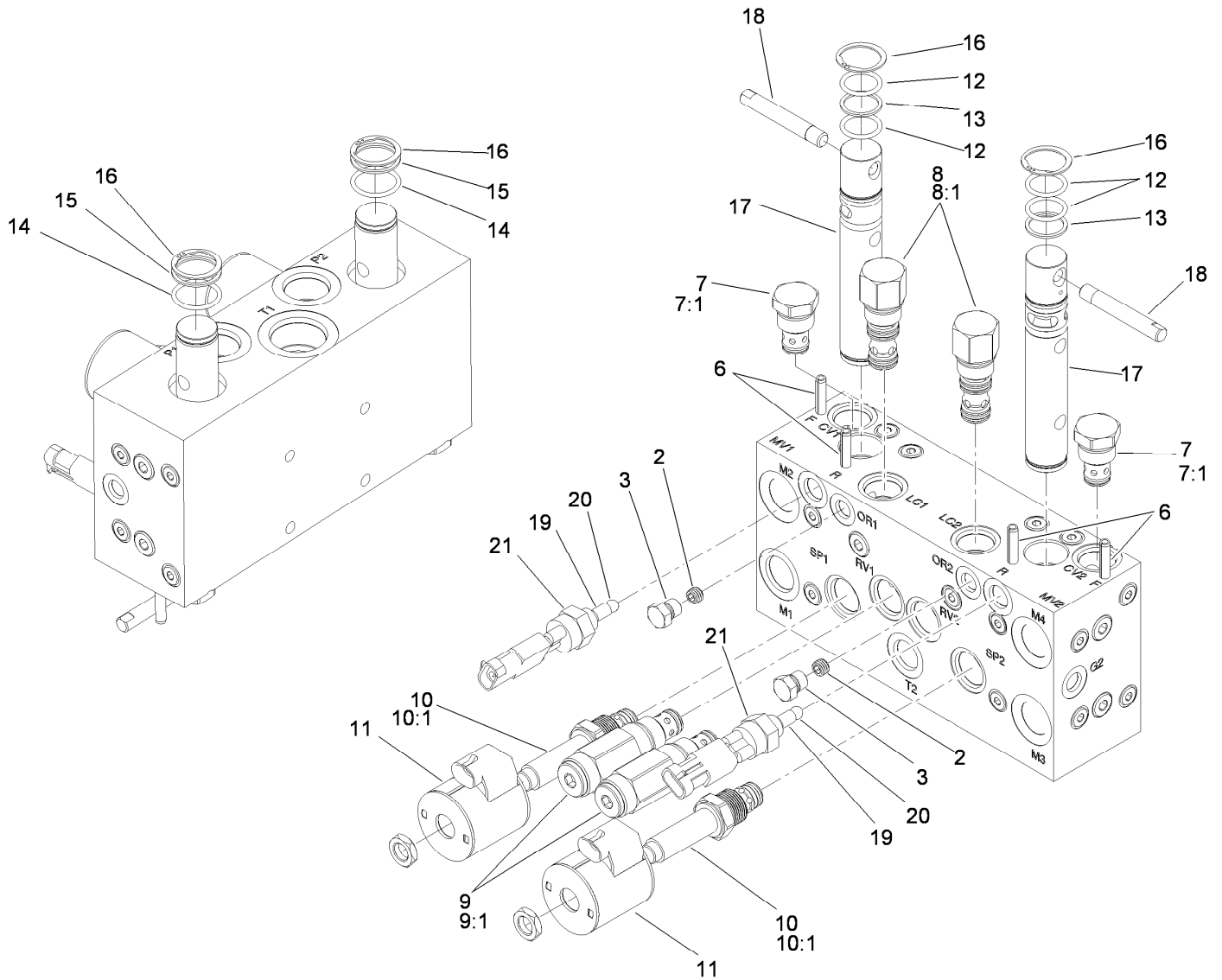


## Mow Manifold Assembly No. 130-1656

Ref.	Part Number	Qty.	Description
1		1	Manifold-Mow 5-Plex ●
2	104-3509	1	Fitting-HYD, 45 DEG
2:1	237-146	1	O-Ring
2:2	340-65	1	O-Ring
3	340-9	1	Fitting-HYD, Straight
3:1	237-58	1	O-Ring
3:2	237-81	1	O-Ring
4	100-5530	1	Fitting-HYD, 45 DEG
4:1	237-58	1	O-Ring
4:2	237-81	1	O-Ring
5	340-7	4	Adapter

Ref.	Part Number	Qty.	Description
5:1	237-65	1	O-Ring
5:2	237-80	1	O-Ring
6	340-4	1	Fitting-HYD, Straight
6:1	237-30	1	O-Ring
6:2	237-79	1	O-Ring
7	115-9147	1	Fitting-Elbow, 90 DEG
7:1	237-78	1	O-Ring
8	354-79	2	Cap-Dust
9	354-77	1	Fitting-Quick
9:1	237-78	1	O-Ring

● Not serviced separately

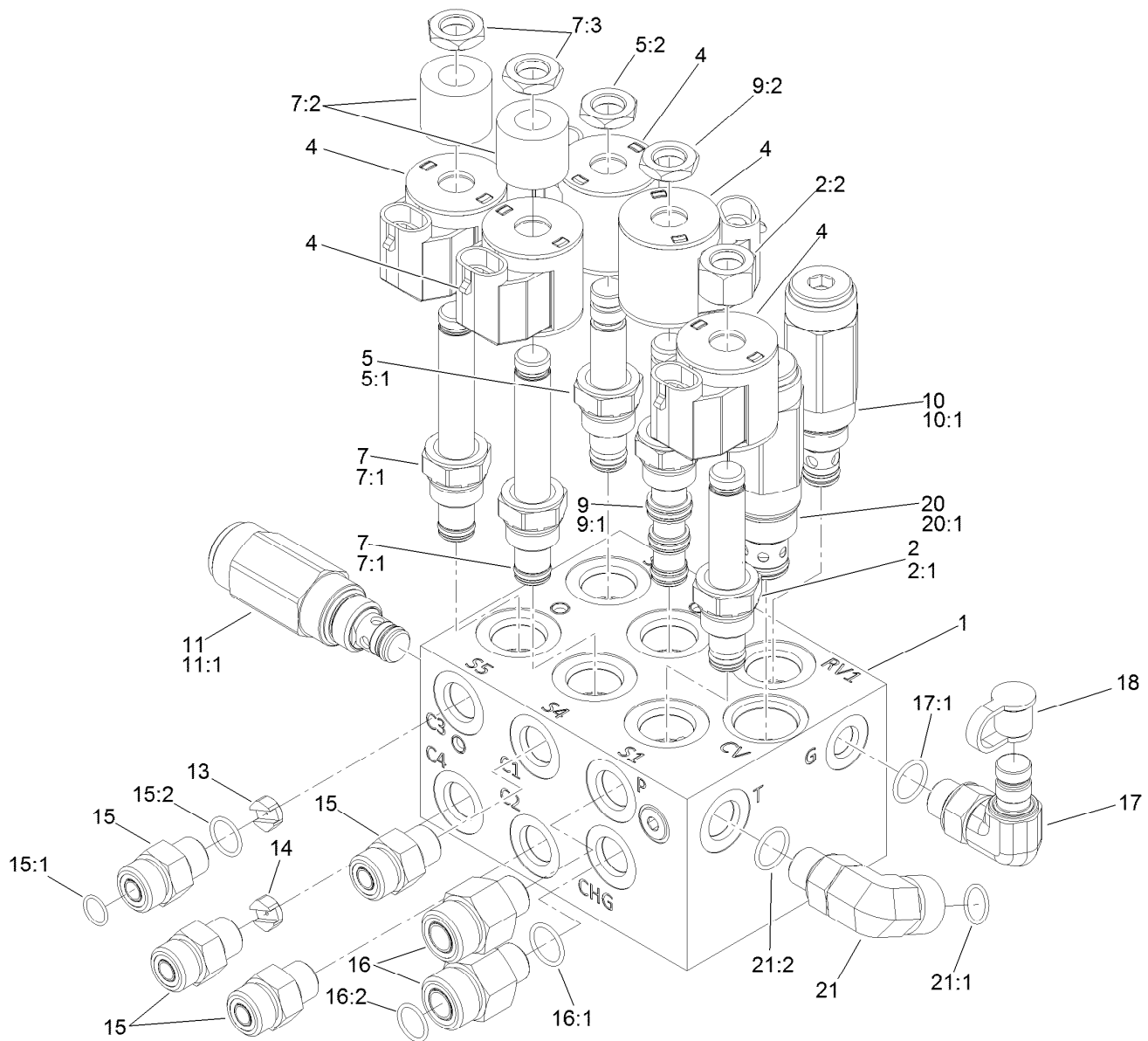


## Manifold Mow Block Assembly

Ref.	Part Number	Qty.	Description	Ref.	Part Number	Qty.	Description
2	110-8883	2	Plug-Orifice (0.040)	11	110-6344	2	Coil-12V, Dc
3		2	Plug ■	12	120-1657	4	O-Ring
6	112-6531	4	Pin-Spring	13	120-1656	2	Ring-Backup
7	110-8881	2	Valve-Check	14	125-1652	2	O-Ring
7:1	105-9159	1	Seal Kit ●	15	120-1654	2	Ring-Backup
8	120-1693	2	Compensator-Pressure	16	120-1653	4	Ring-Retaining, External
8:1	119-2159	1	Seal Kit	17	120-1652	2	Spool-Backlap
9	120-1659	2	Valve-Relief, 3000 Psi	18	120-1651	2	Handle-Spool
9:1	105-9159	1	Seal Kit ●	19	120-1650	2	Pin
10	120-1694	2	Valve-Proportional, Nc	20	117-4605	2	Ball-Ss
10:1	105-9159	1	Seal Kit	21	72-4320	2	Switch-Ball

● Not illustrated

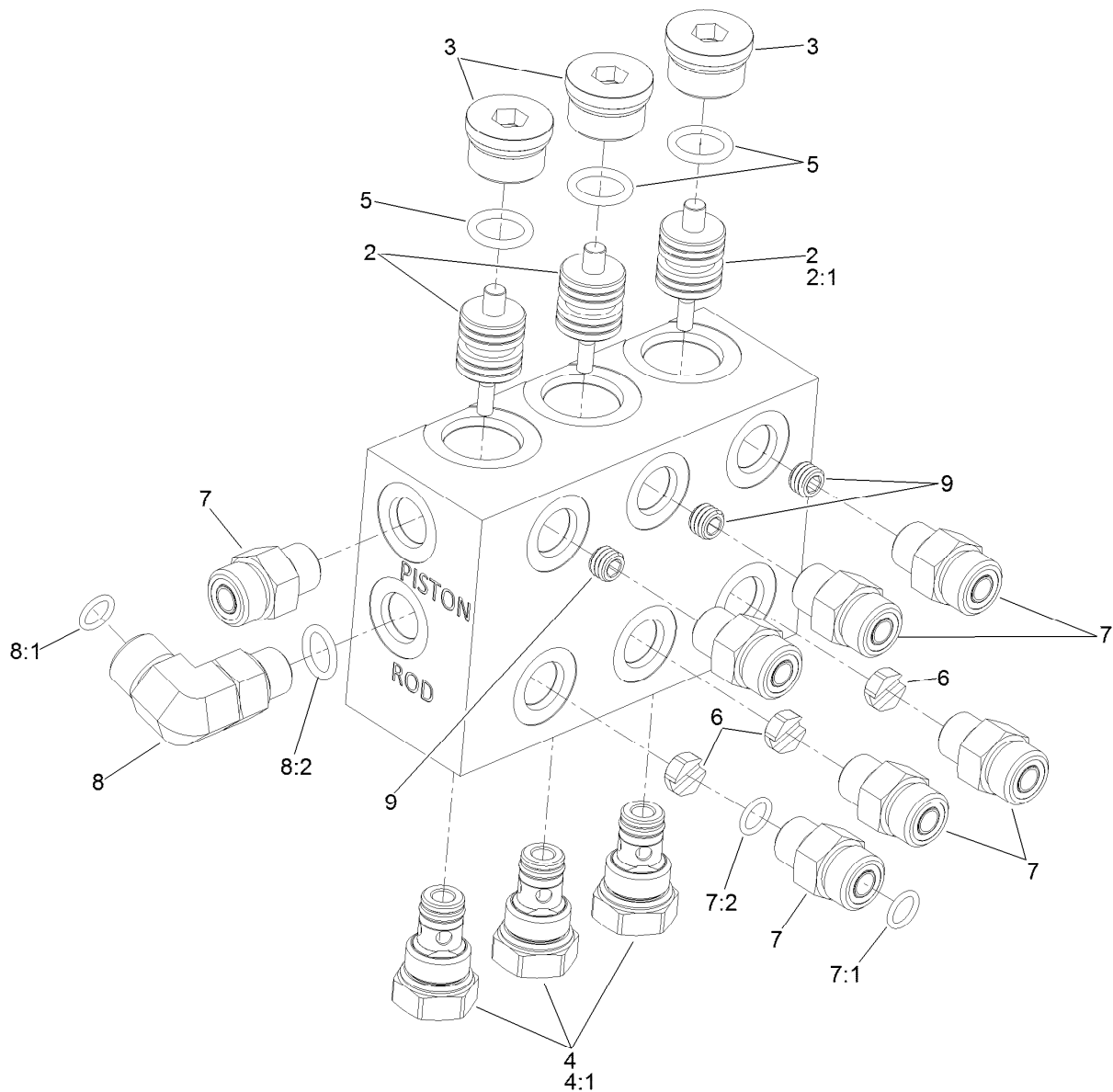
■ Not serviced separately



## Lift Manifold Assembly No. 130-1669

Ref.	Part Number	Qty.	Description	Ref.	Part Number	Qty.	Description
1		1	Manifold Block ●	11:1	105-9156	1	Seal Kit
2	107-7517	1	Valve-Solenoid	13	120-1662	1	Orifice-Flow Control, .040
2:1	105-9156	1	Seal Kit	14	119-2010	3	Orifice-Flow Control (0.055)
2:2	107-7812	1	Nut-Solenoid	15	340-2	4	Fitting-HYD, Straight
4	110-0497	5	Coil-Solenoid	15:1	237-22	1	O-Ring
5	112-9206	1	Solenoid Valve ASM	15:2	237-42	1	O-Ring
5:1	105-9156	1	Seal Kit	16	340-5	2	Fitting-Straight
5:2	110-2634	1	Nut-Coil	16:1	237-42	1	O-Ring
7	110-8898	2	Valve-Solenoid	16:2	237-30	1	O-Ring
7:1	107-7527	1	Seal Kit	17	115-9147	1	Fitting-Elbow, 90 DEG
7:2	110-2634	1	Nut-Coil	17:1	237-78	1	O-Ring
7:3	110-8909	1	Spacer-Coil	18	354-79	1	Cap-Dust
9	120-1665	1	Valve-Solenoid	20	115-4140	1	Valve-Check
9:1	112-6520	1	Seal Kit	20:1	105-9159	1	Seal Kit
9:2	110-2634	1	Nut-Coil	21	340-99	1	Fitting-HYD, 90 DEG
10	120-1664	1	Valve-Relief, 1700 Psi	21:1	237-30	1	O-Ring
10:1	105-9156	1	Seal Kit	21:2	237-42	1	O-Ring
11	120-1663	1	Valve-Relief, 500 Psi				

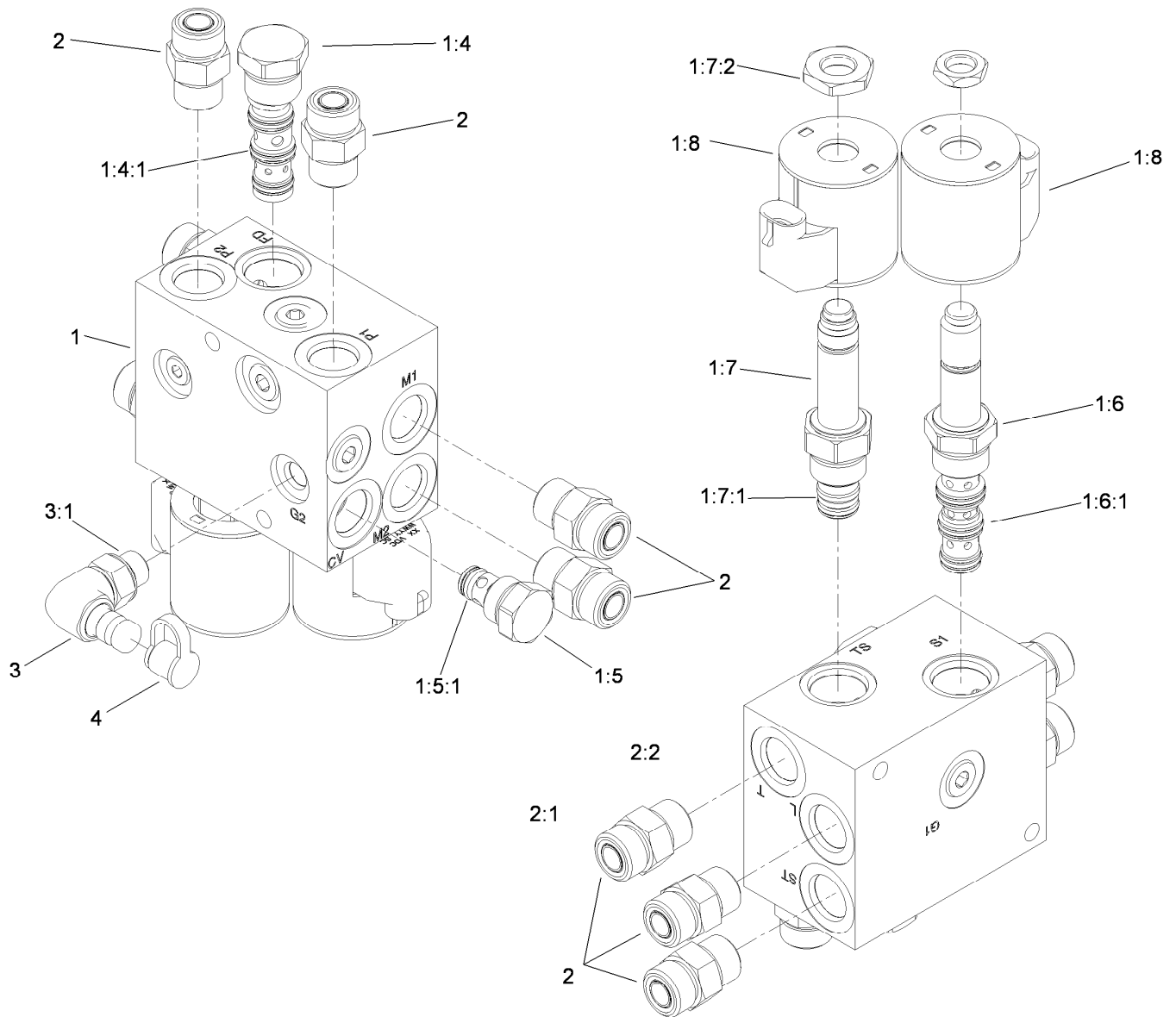
● Not serviced separately



## Junction Manifold Assembly No. 130-1670

Ref.	Part Number	Qty.	Description
2	110-8901	3	Piston-Pilot
2:1	110-8900	1	O-Ring
3		3	Plug ●
4	110-9006	3	Valve-Check
4:1	105-9156	1	Seal Kit
5	110-8900	3	O-Ring
6	119-2009	3	Orifice-Flow Control (0.030)
7	340-2	7	Fitting-HYD, Straight
7:1	237-22	1	O-Ring
7:2	237-42	1	O-Ring
8	340-77	1	Fitting-HYD, 90 DEG
8:1	237-22	1	O-Ring
8:2	237-42	1	O-Ring
9	130-1674	1	Orifice-Flow Control

● Not serviced separately

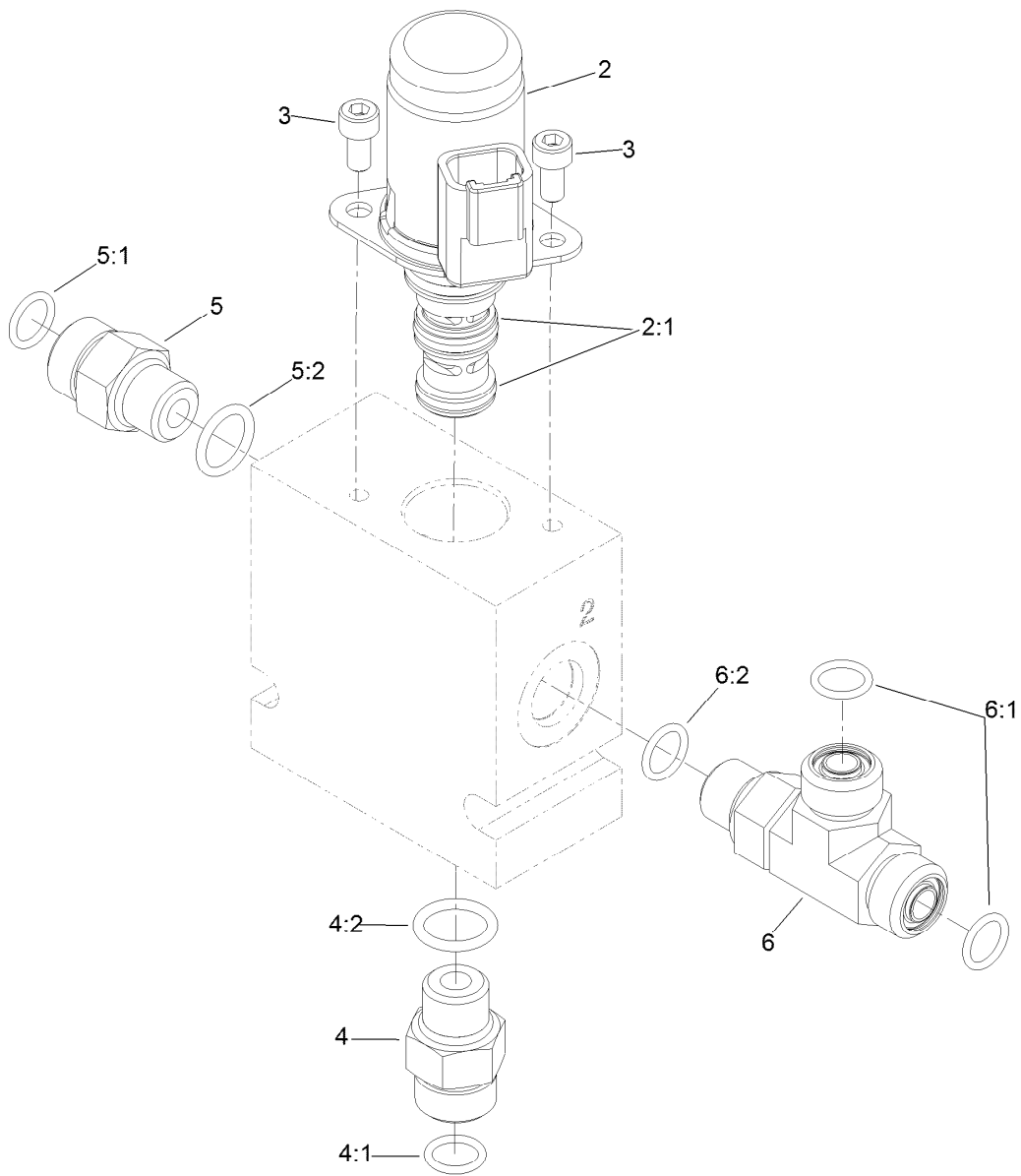


## Fan Drive Manifold Assembly No. 119-3943

Ref.	Part Number	Qty.	Description
1		1	Fan Drive Manifold ASM ●
1:4	115-3024	1	Flow Divider
1:4:1	115-3025	1	Seal Kit
1:5	105-9321	1	Check Valve ASM
1:5:1	105-9156	1	Seal Kit
1:6	115-3023	1	Solenoid Valve ASM
1:6:1	110-8908	1	Spool Valve Seal Kit
1:7	115-3022	1	Relief-Proportional
1:7:1	110-6316	1	Seal Kit

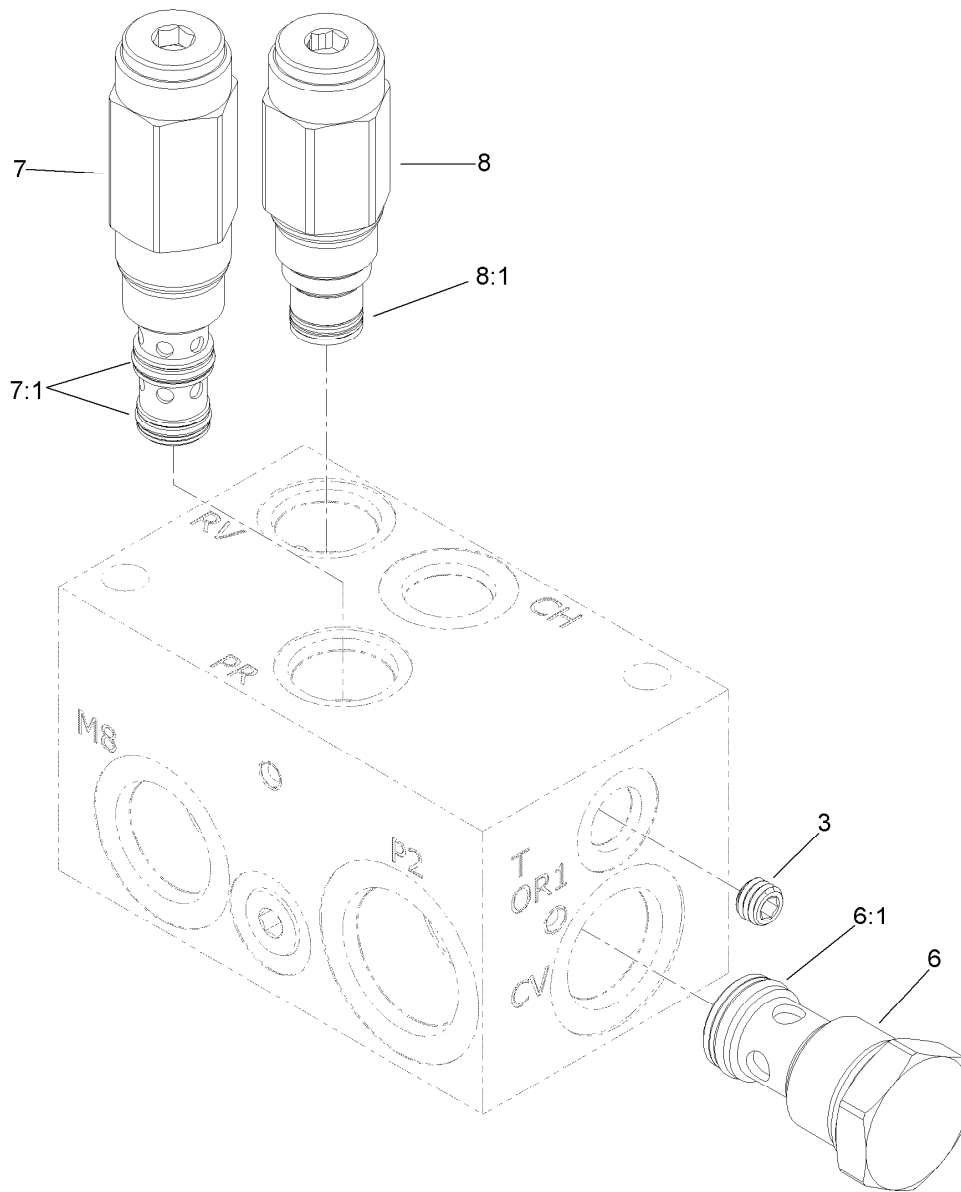
Ref.	Part Number	Qty.	Description
1:7:2	119-7715	1	Nut-Coil
1:8	110-6344	2	Coil-12V, Dc
2	340-4	7	Fitting-HYD, Straight
2:1	237-30	1	O-Ring
2:2	237-79	1	O-Ring
3	115-9147	1	Fitting-Elbow, 90 DEG
3:1	237-78	1	O-Ring
4	354-79	1	Cap-Dust

● Not serviced separately



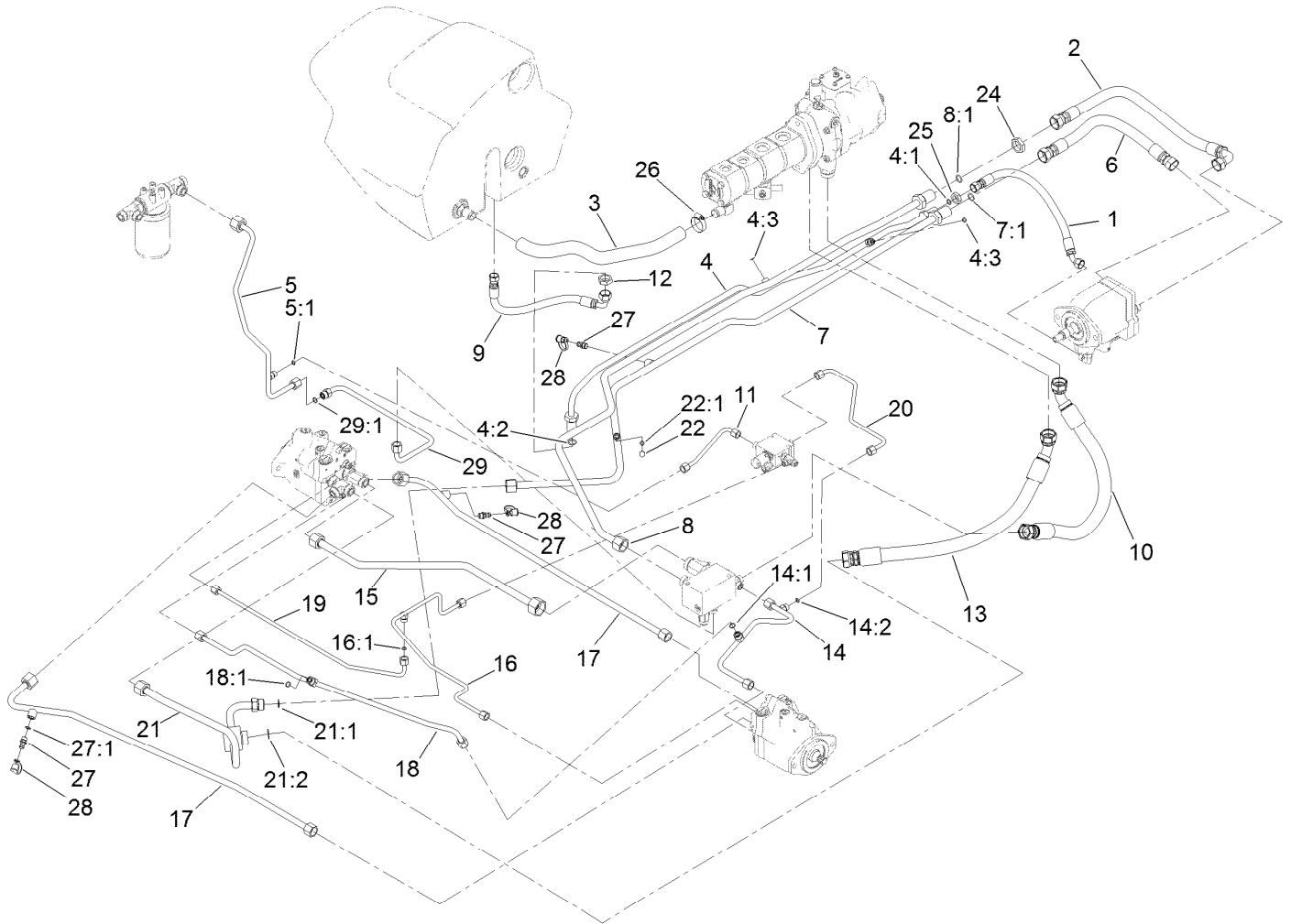
### 3 Way Valve Manifold Assembly No. 121-3077

<i>Ref.</i>	<i>Part Number</i>	<i>Qty.</i>	<i>Description</i>
2	125-7554	1	Valve-Solenoid, 12 Vdc
2:1	125-7561	1	Seal Kit
3	115-8733	2	Screw -HSH
4	340-2	1	Fitting-HYD, Straight
4:1	237-22	1	O-Ring
4:2	237-42	1	O-Ring
5	92-9258	1	Adapter-Check
5:1	237-22	1	O-Ring
5:2	237-42	1	O-Ring
6	340-86	1	Fitting-Tee
6:1	237-22	2	O-Ring
6:2	237-42	1	O-Ring



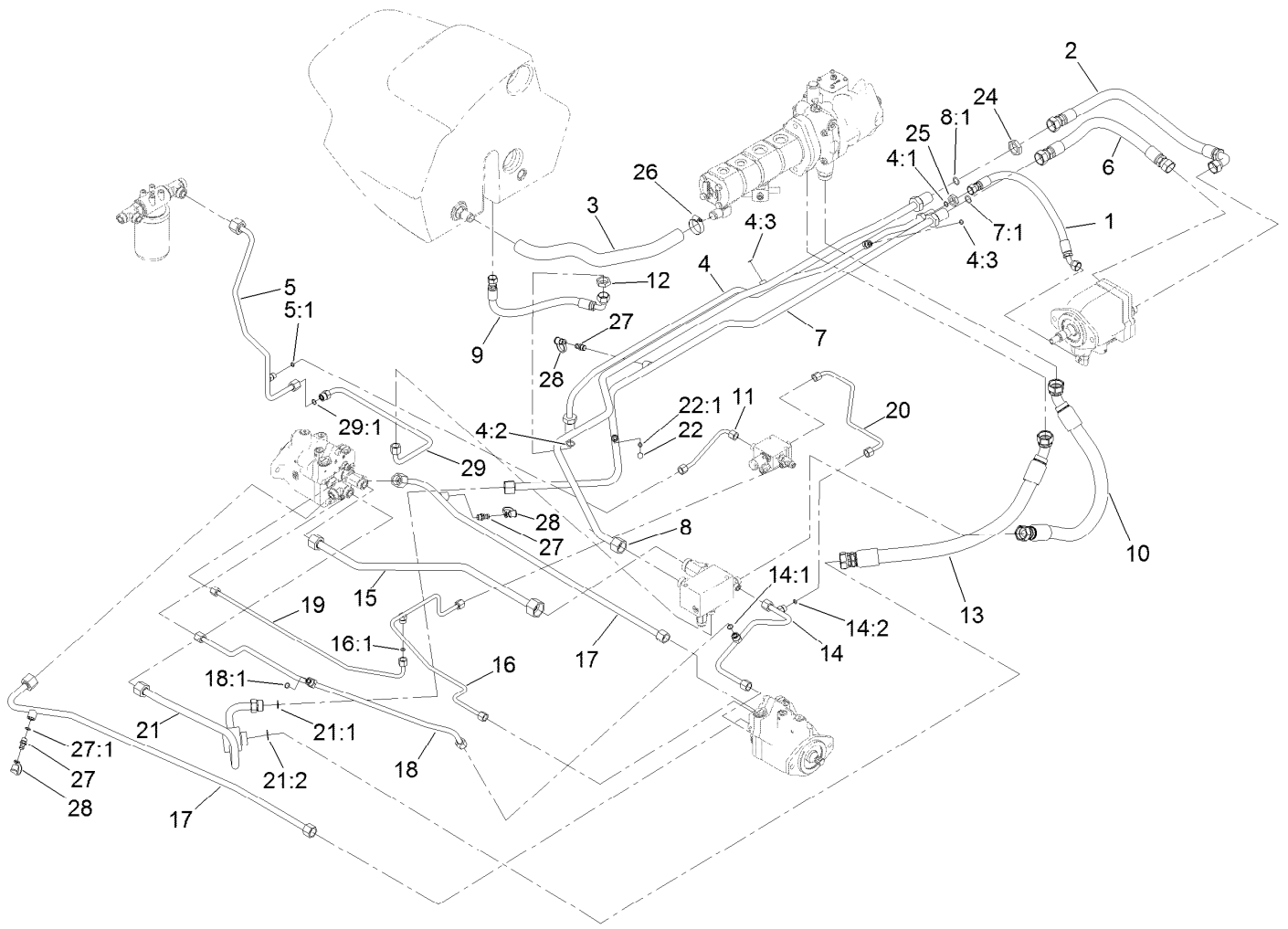
## Rear Traction Manifold Assembly No. 121-3078

<i>Ref.</i>	<i>Part Number</i>	<i>Qty.</i>	<i>Description</i>
3	110-0495	1	Orifice (.050)
6	125-4328	1	Valve-Check
6:1	125-4336	1	Seal Kit
7	125-7567	1	Valve-Pressure Reducing
7:1	125-4334	1	Seal Kit
8	125-7566	1	Valve-Relief
8:1	110-6316	1	Seal Kit



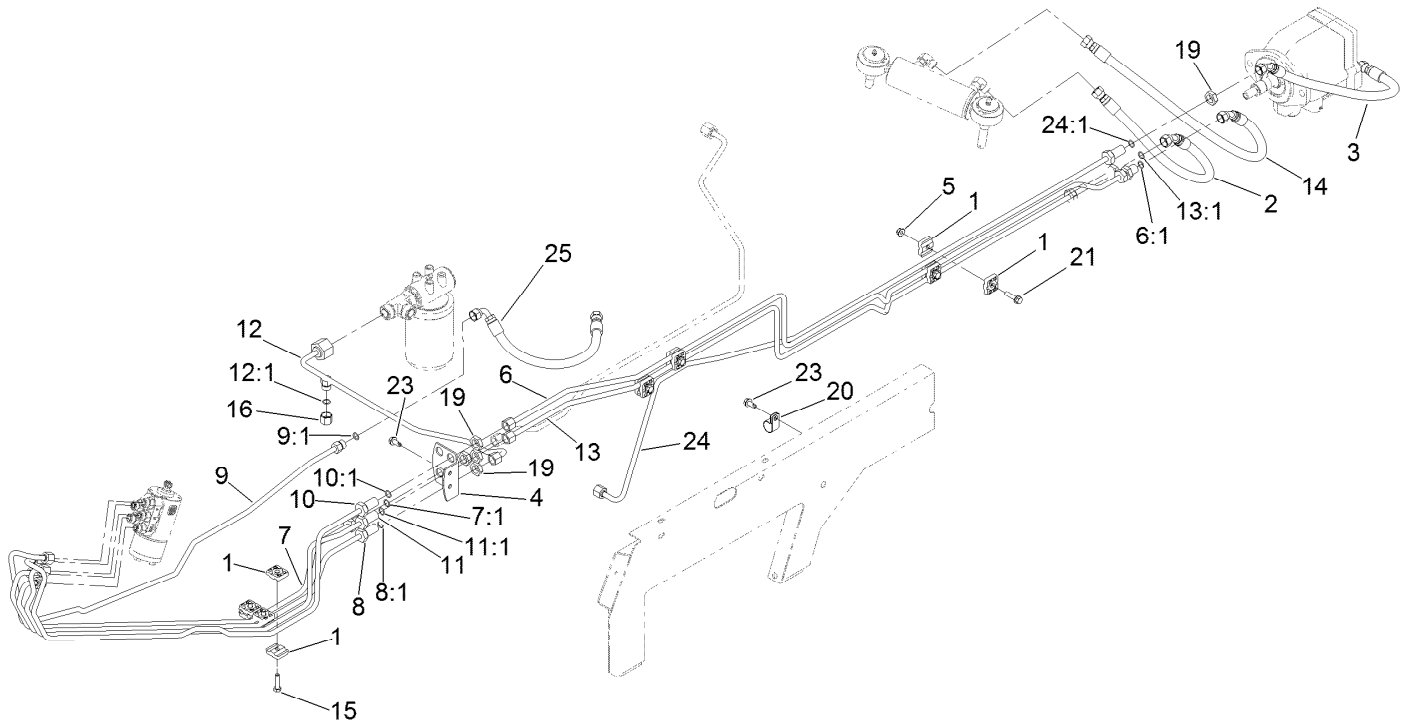
## Traction Hydraulic Circuit Assembly

Ref.	Part Number	Qty.	Description	Ref.	Part Number	Qty.	Description
1	92-2406	1	Hose-HYD	14:2	237-22	1	O-Ring
2	104-3789	1	Filter Hose ASM	15	130-1621	1	Tube ASM
3	115-4447	1	Hose-Suction	16	130-1622	1	Tube ASM
4	130-1647	1	Tube ASM	16:1	237-22	1	O-Ring
4:1	237-30	1	O-Ring	17	130-1623	2	Tube ASM
4:2	237-65	1	O-Ring	18	130-1624	1	Tube ASM
4:3	237-22	2	O-Ring	18:1	237-30	1	O-Ring
5	120-8047	1	Tube ASM	19	130-1625	1	Tube ASM
5:1	237-22	1	O-Ring	20	130-1627	1	Tube ASM
6	120-8053	1	Hose ASM	21	130-1629	1	Tube ASM
7	120-8079	1	Tube ASM	21:1	237-58	1	O-Ring
7:1	237-58	1	O-Ring	21:2	340-65	1	O-Ring
8	130-1653	1	Tube ASM	22	353-512	1	Plug
8:1	237-58	1	O-Ring	22:1	237-78	1	O-Ring
9	120-8097	1	Hose ASM	24	340-126	2	Nut-Bulkhead
10	125-4559	1	Hose ASM	25	340-127	1	Nut-Bulkhead
11	125-4566	1	Tube ASM	26	2412-111	1	Clamp
12	340-74	1	Nut-Lock, Bulkhead	27	59-7410	3	Fitting-Diagnostic
13	130-1642	1	Hose ASM	27:1	237-42	1	O-Ring
14	130-1620	1	Tube ASM	28	354-79	3	Cap-Dust
14:1	237-30	1	O-Ring				



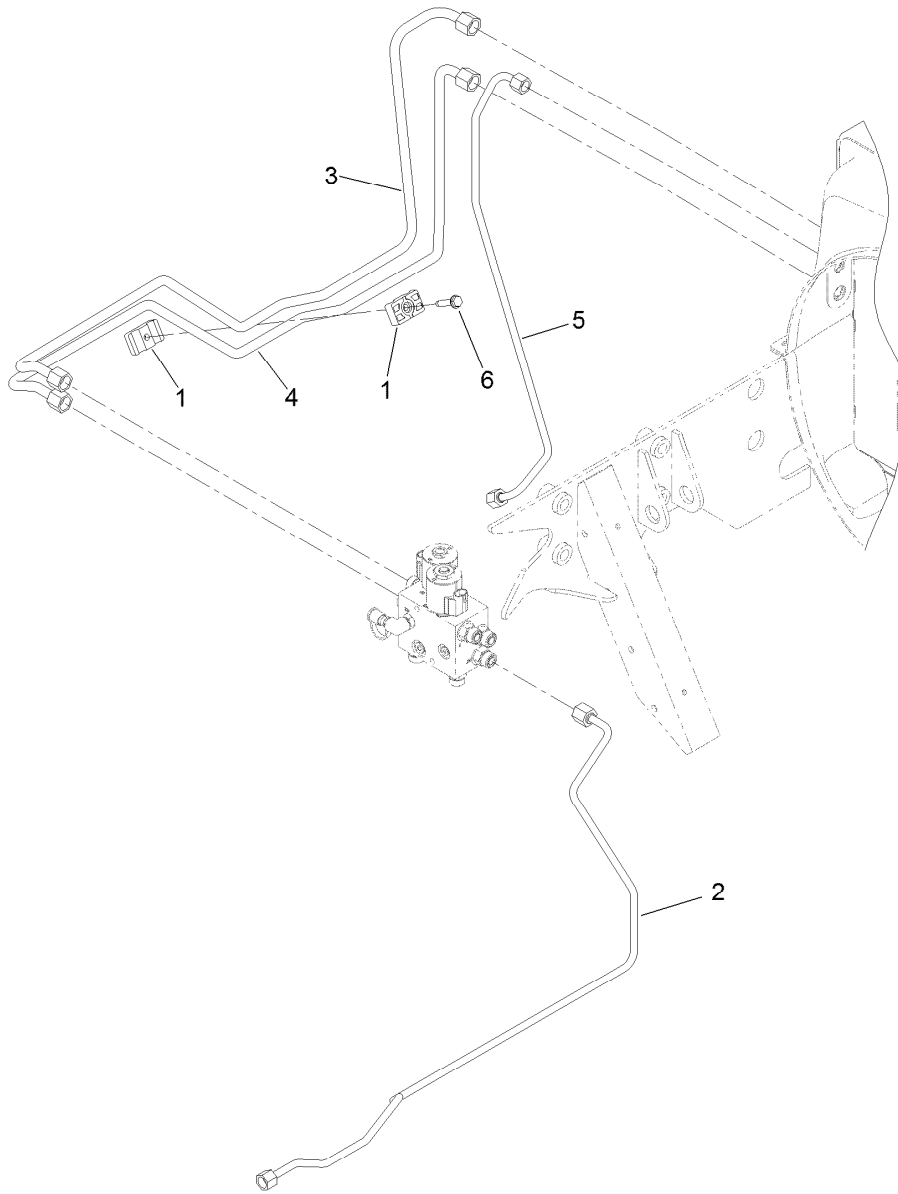
## Traction Hydraulic Circuit Assembly (continued)

Ref.	Part Number	Qty.	Description
29	125-4570	1	Tube ASM
29:1	237-30	1	O-Ring



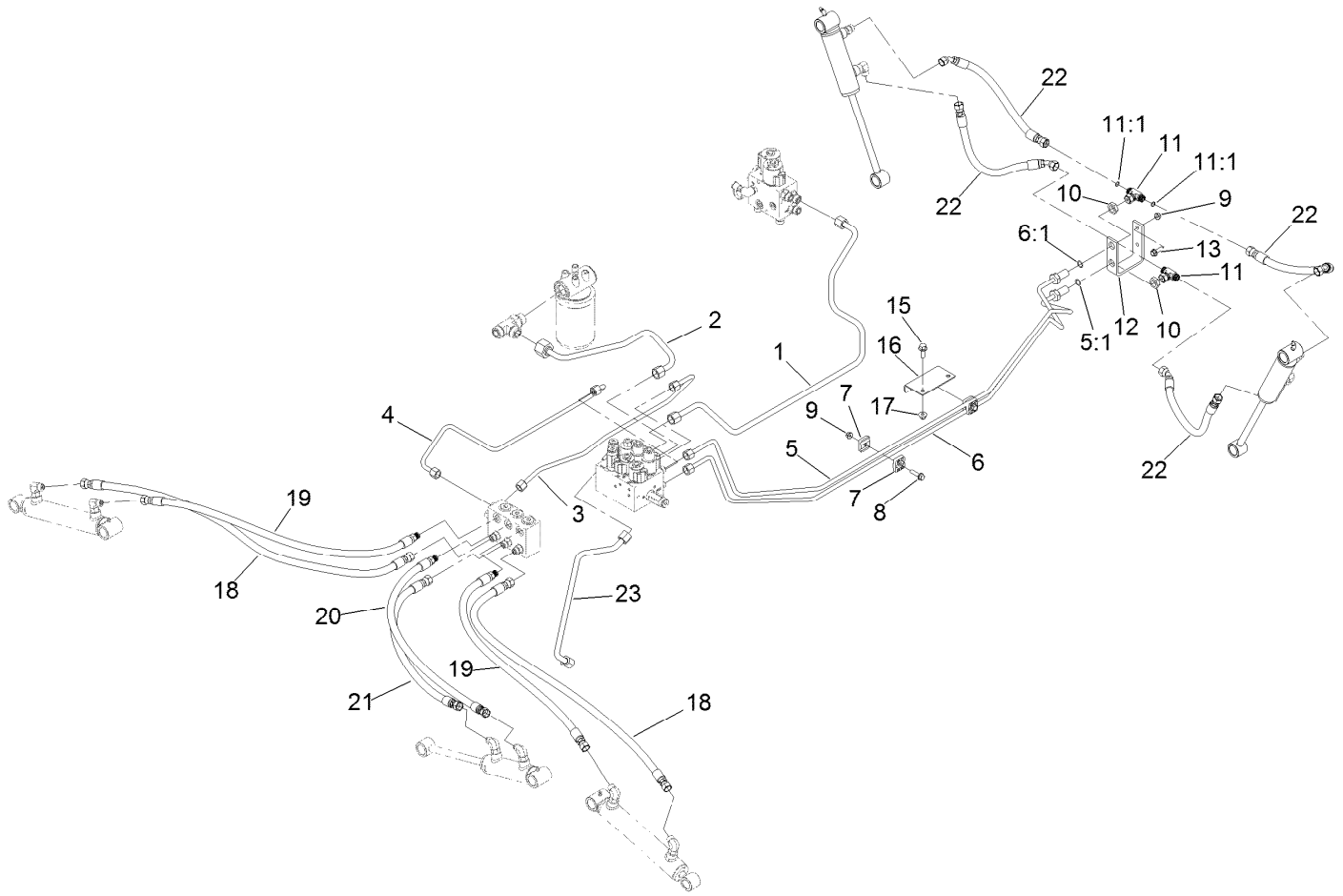
## Steering Hydraulic Circuit Assembly

<i>Ref.</i>	<i>Part Number</i>	<i>Qty.</i>	<i>Description</i>	<i>Ref.</i>	<i>Part Number</i>	<i>Qty.</i>	<i>Description</i>
1	56-7973	14	Clamp-Tube	11:1	237-22	1	O-Ring
2	92-7539	1	Hose-HYD	12	115-4412	1	Tube ASM
3	92-7595	1	Hose-HYD	12:1	237-22	1	O-Ring
4	92-7606-03	1	Bracket-Bulkhead	13	115-9128	1	Tube ASM
5	104-8300	4	Nut-Flange, NI	13:1	237-22	1	O-Ring
6	105-3871	1	Tube ASM	14	125-4560	1	Hose ASM
6:1	237-22	1	O-Ring	15	119-4036	3	Screw-HHF
7	115-4405	1	Tube ASM	16	340-117	1	Cap
7:1	237-22	1	O-Ring	19	340-70	7	Nut-Lock
8	115-4406	1	Tube ASM	20	2412-81	1	Clamp-R
8:1	237-22	1	O-Ring	21	115-1794	4	Screw-HHF
9	130-1635	1	Tube ASM	23	32104-32	3	Screw-HWH
9:1	237-22	1	O-Ring	24	120-8052	1	Tube ASM
10	115-4408	1	Tube ASM	24:1	237-22	1	O-Ring
10:1	237-22	1	O-Ring	25	92-5694	1	Hose-Hydraulic
11	115-4409	1	Tube ASM				



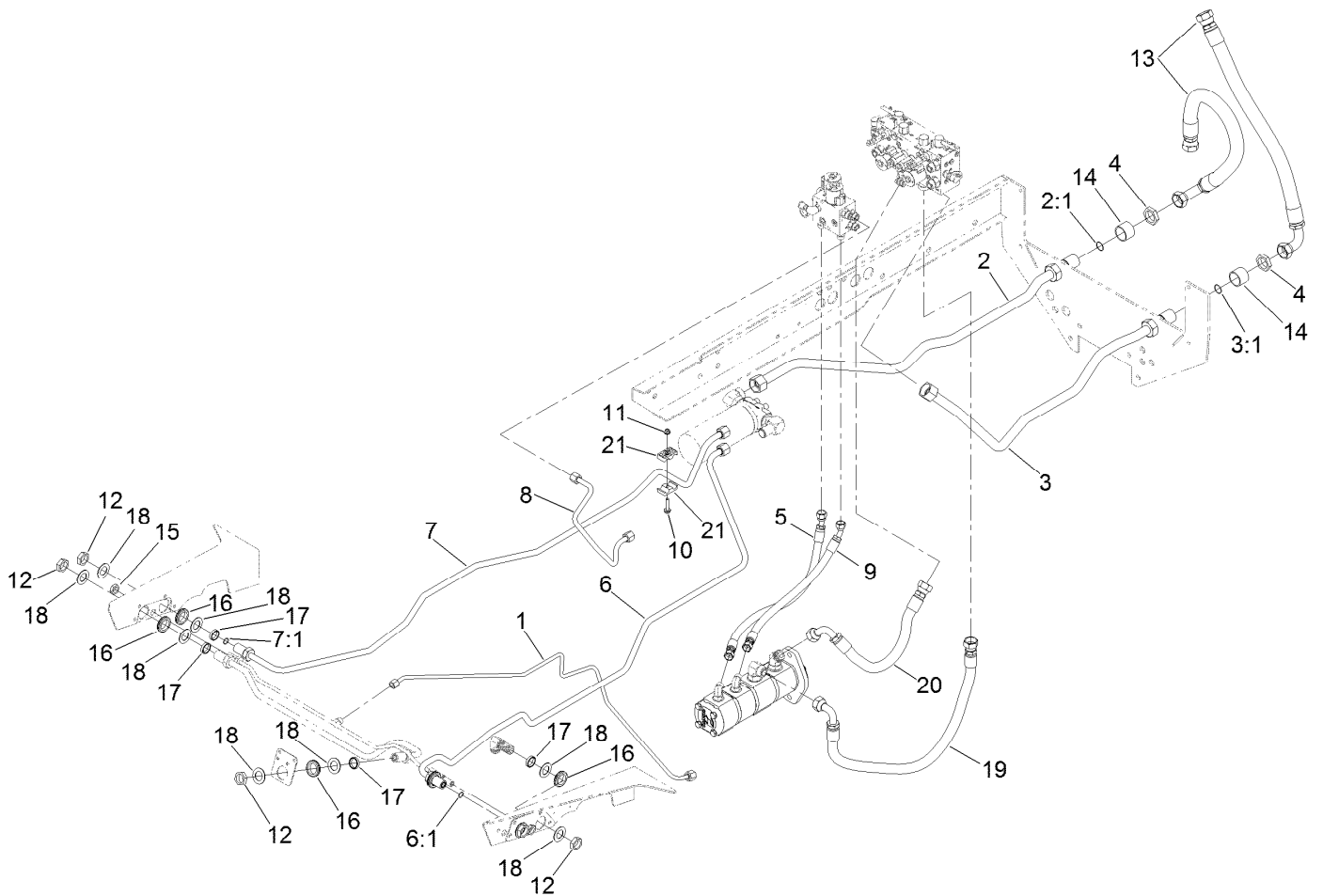
## Fan Drive Hydraulic Circuit Assembly

<i>Ref.</i>	<i>Part Number</i>	<i>Qty.</i>	<i>Description</i>
1	56-7976	2	Clamp-Tube
2	115-4422	1	Tube-HYD
3	125-4599	1	Tube ASM
4	125-4601	1	Tube ASM
5	125-4602	1	Tube ASM
6	32144-57	1	Screw



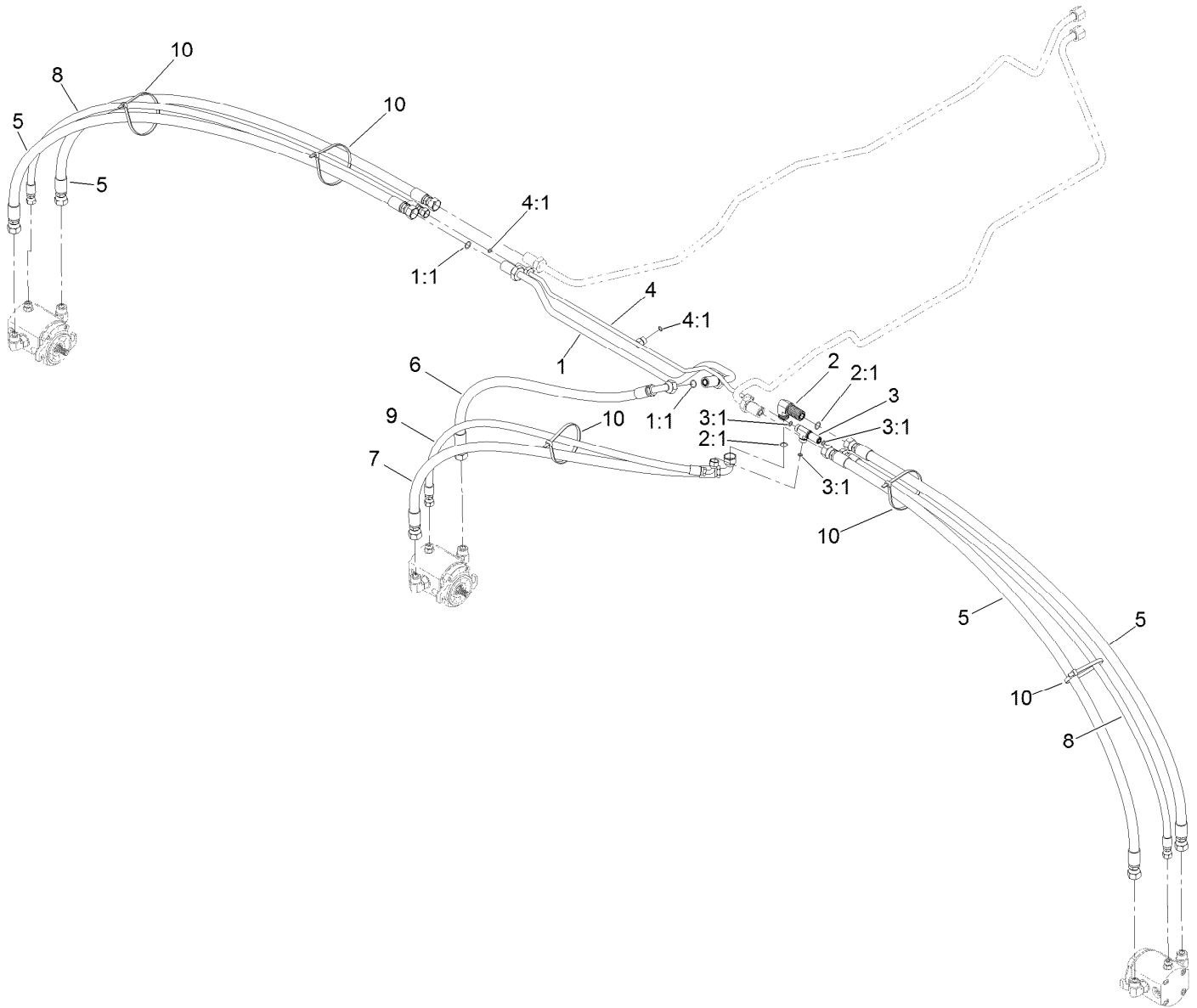
## Lift Circuit Hydraulic Assembly

<i>Ref.</i>	<i>Part Number</i>	<i>Qty.</i>	<i>Description</i>	<i>Ref.</i>	<i>Part Number</i>	<i>Qty.</i>	<i>Description</i>
1	119-1467	1	Tube-HYD	11:1	237-22	2	O-Ring
2	130-1648	1	Tube ASM	12	105-3992-03	1	Bracket-Bulkhead
3	119-1470	1	Tube-HYD	13	3234-17	2	Screw-HHF
4	119-1471	1	Tube-HYD	15	3234-11	2	Screw-HHF
5	119-1472	1	Tube-HYD	16	105-3990-03	1	Bracket-Support, Tube
5:1	237-22	1	O-Ring	17	104-8301	2	Nut-Flange, NI
6	119-1473	1	Tube-HYD	18	119-3924	2	Hose ASM
6:1	237-22	1	O-Ring	19	130-1672	2	Hose ASM
7	56-7973	4	Clamp-Tube	20	119-8632	1	Hose ASM-HYD
8	115-1794	2	Screw-HHF	21	119-1433	1	Hose ASM
9	104-8300	4	Nut-Flange, NI	22	105-9238	4	Hose-HYD
10	340-70	2	Nut-Lock	23	130-1640	1	Tube ASM
11	340-166	2	Fitting-Tee, HYD				



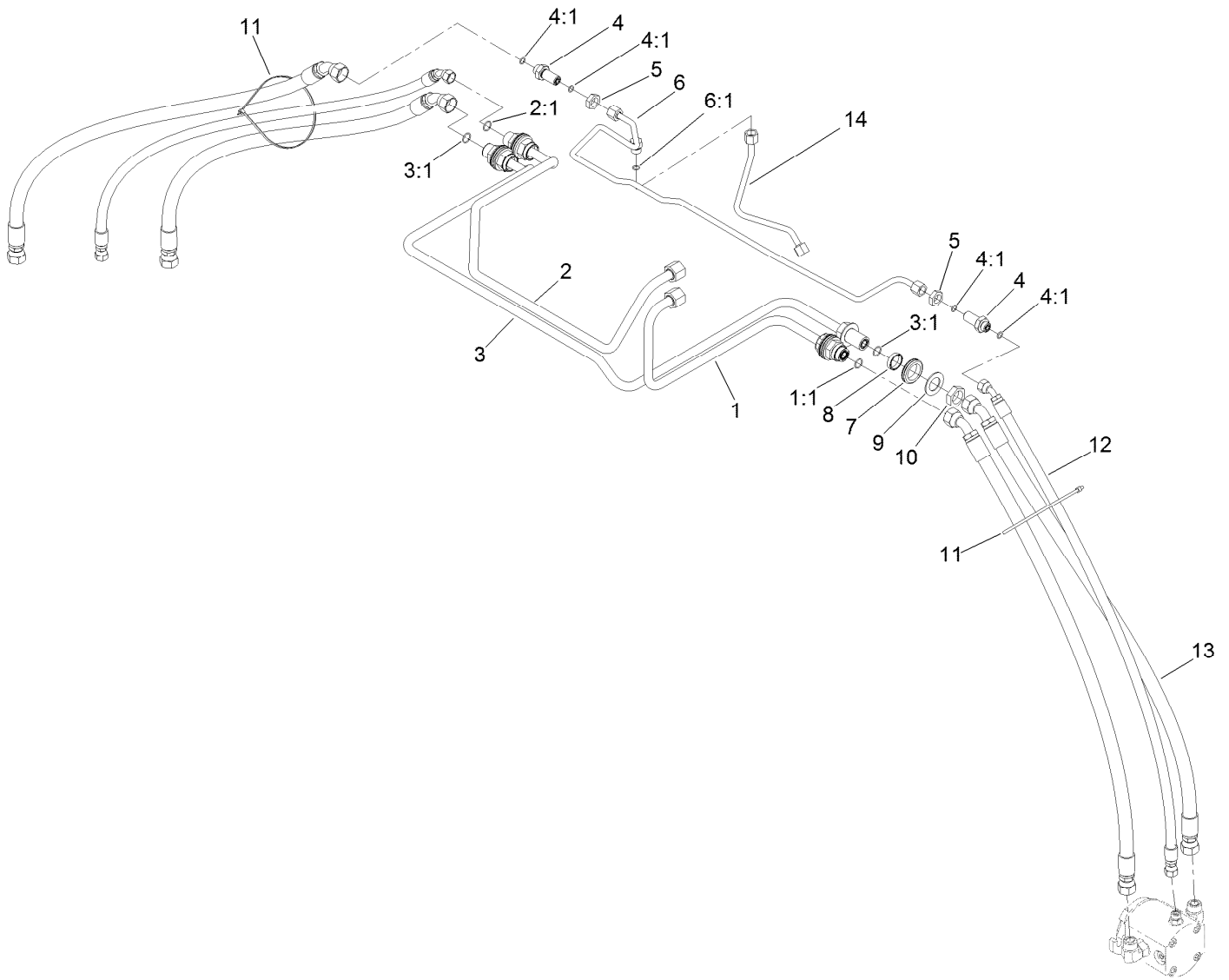
## Hydraulic Mow Circuit Assembly

<i>Ref.</i>	<i>Part Number</i>	<i>Qty.</i>	<i>Description</i>	<i>Ref.</i>	<i>Part Number</i>	<i>Qty.</i>	<i>Description</i>
1	130-1626	1	Tube ASM	10	115-1794	1	Screw-HHF
2	125-4573	1	Tube ASM	11	104-8300	1	Nut-Flange, NI
2:1	340-65	1	O-Ring	12	340-74	5	Nut-Lock, Bulkhead
3	125-4574	1	Tube ASM	13	108-1689	2	Hose-HYD
3:1	340-65	1	O-Ring	14	125-4577	2	Spacer
4	340-128	2	Nut-Bulkhead	15	340-70	2	Nut-Lock
5	115-4438	1	Hose-HYD	16	240-3	5	Grommet-Rubber
6	119-1453	1	Tube-HYD	17	125-1984	5	Spacer
6:1	237-65	1	O-Ring	18	69-9010	10	Washer
7	119-1454	1	Tube-HYD	19	115-4384	1	Hose-HYD
7:1	237-65	1	O-Ring	20	117-4762	1	Hose-HYD
8	119-1469	1	Tube-HYD	21	56-7971	2	Clamp-Tube
9	115-4439	1	Hose-HYD				



## Front Mow Circuit Hydraulic Assembly

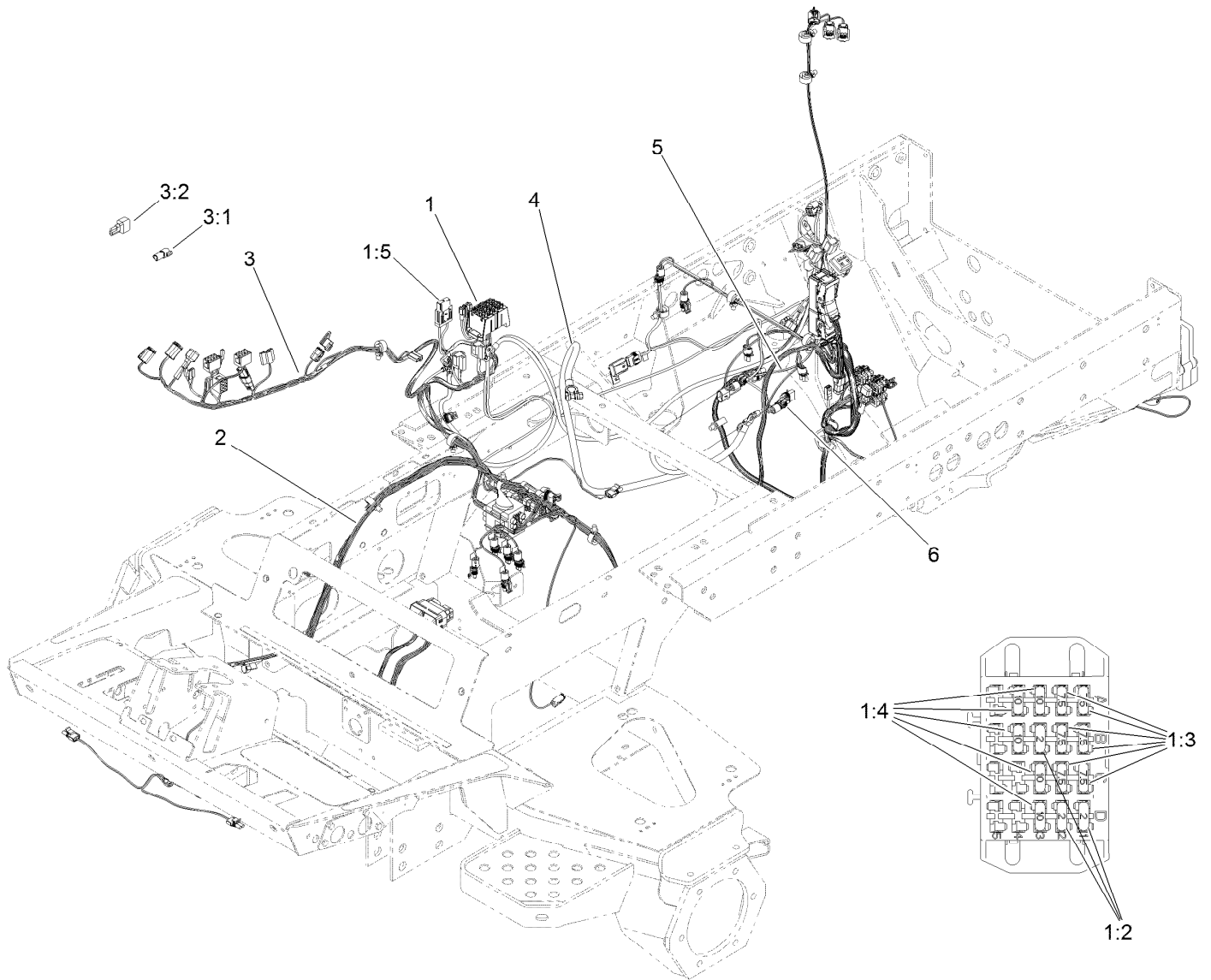
<i>Ref.</i>	<i>Part Number</i>	<i>Qty.</i>	<i>Description</i>
1	119-1466	1	Tube-HYD
1:1	237-65	2	O-Ring
2	340-72	1	Fitting-Bulkhead, 90 DEG
2:1	237-65	2	O-Ring
3	340-68	1	Fitting-Tee, Bulkhead
3:1	237-22	3	O-Ring
4	130-1643	1	Tube ASM
4:1	237-22	2	O-Ring
5	125-1653	4	Hose ASM
6	125-1655	1	Hose ASM
7	98-7402	1	Hose ASM
8	119-3912	2	Hose ASM
9	119-3911	1	Hose ASM
10	3334-945	5	Tie-Cable



## Rear Hydraulic Mow Circuit Assembly

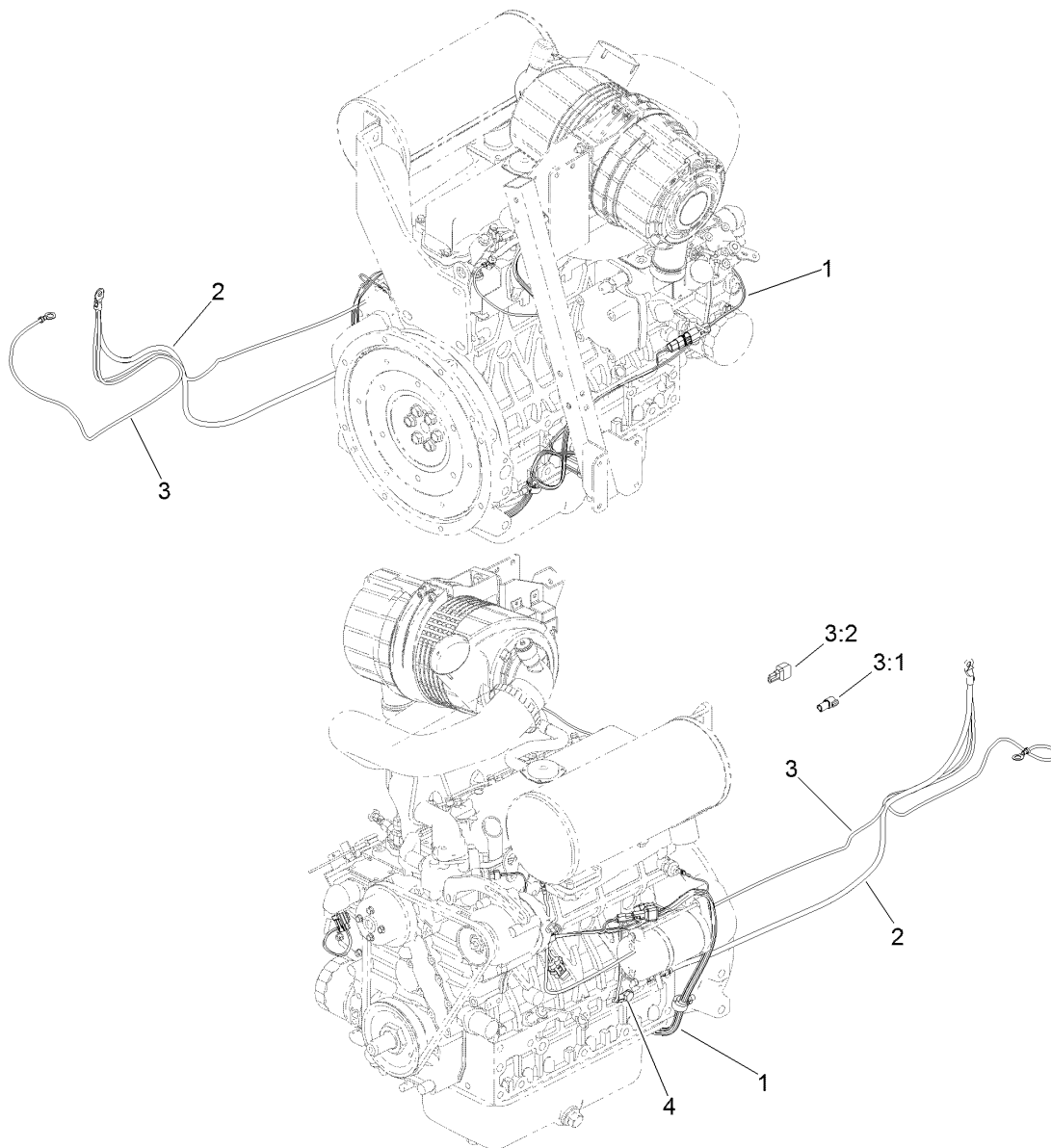
<i>Ref.</i>	<i>Part Number</i>	<i>Qty.</i>	<i>Description</i>
1	119-1455	1	Tube-HYD
1:1	237-65	1	O-Ring
2	119-1456	1	Tube-HYD
2:1	237-65	1	O-Ring
3	119-1465	1	Tube-HYD
3:1	237-65	2	O-Ring
4	340-71	2	Fitting-Straight, Bulkhead
4:1	237-22	2	O-Ring
5	340-70	2	Nut-Lock
6	130-1630	1	Tube ASM

<i>Ref.</i>	<i>Part Number</i>	<i>Qty.</i>	<i>Description</i>
6:1	237-22	1	O-Ring
7	240-3	4	Grommet-Rubber
8	125-1984	4	Spacer
9	69-9010	8	Washer
10	340-74	4	Nut-Lock, Bulkhead
11	3290-379	2	Tie-Cable
12	119-3914	2	Hose ASM
13	119-3913	4	Hose ASM
14	130-1631	1	Tube ASM



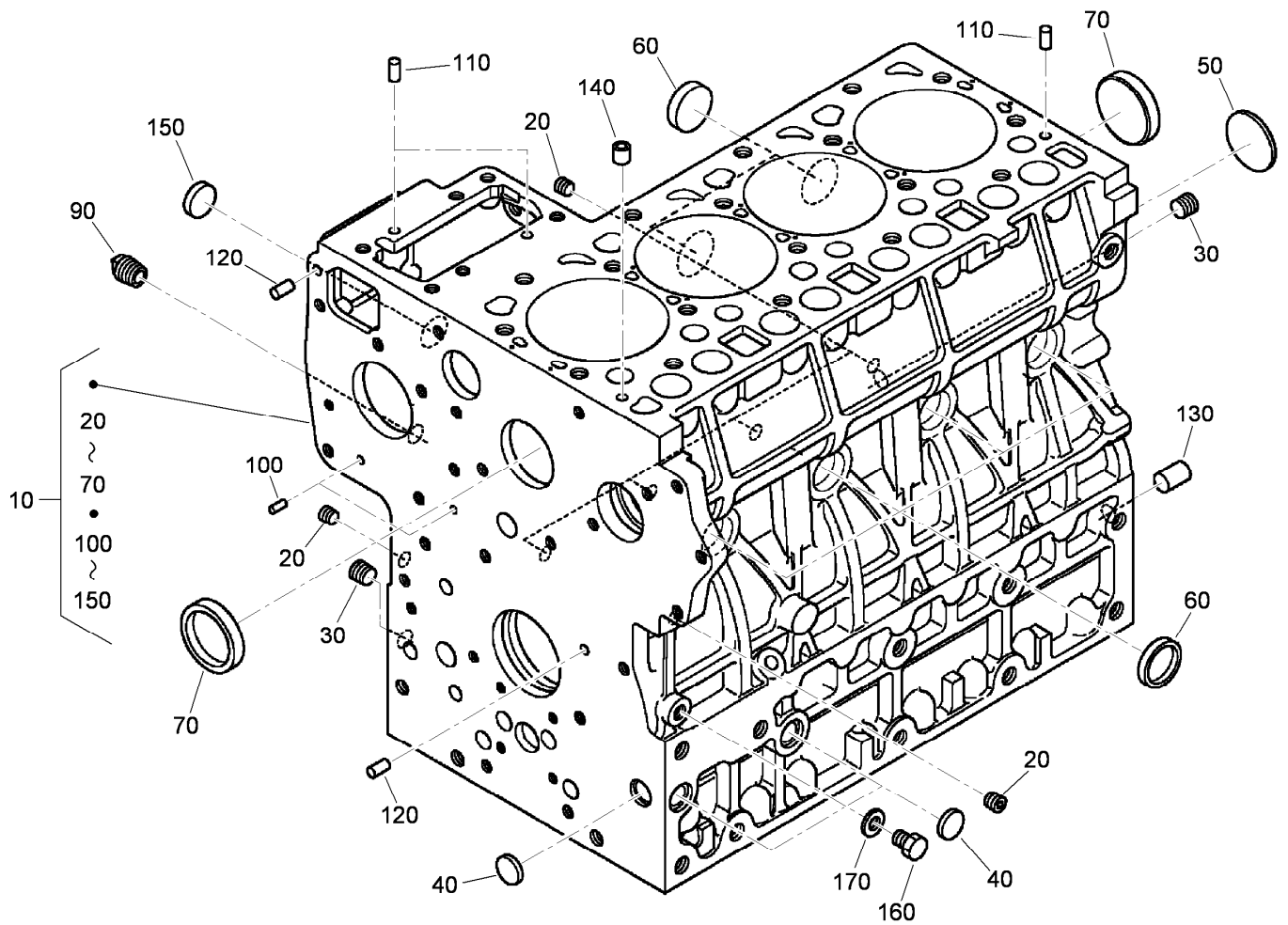
## Main Electrical Assembly

Ref.	Part Number	Qty.	Description
1	121-8857	1	Harness-Wire, Power Center
1:2	121-8861	3	Fuse-Mini Blade, 2 Amp
1:3	121-8865	6	Fuse-Mini Blade, 7.5 Amp
1:4	121-8866	5	Fuse-Mini Blade, 10 Amp
1:5	114-3342	1	Fuse-Maxi, 60 Amp
2	122-0261	1	Harness-Wire, Main-Engine
3	122-0264	1	Harness-Wire, Seat/Console
3:1	32180-043	1	Resistor-120 Ohm
3:2	104-4022	1	Resistor-75 Ohm
4	117-2377	1	Cable-Battery, Negative
5	108-9470	1	Harness-Wire, Fusible Link
6	117-2370	1	Harness-Ground



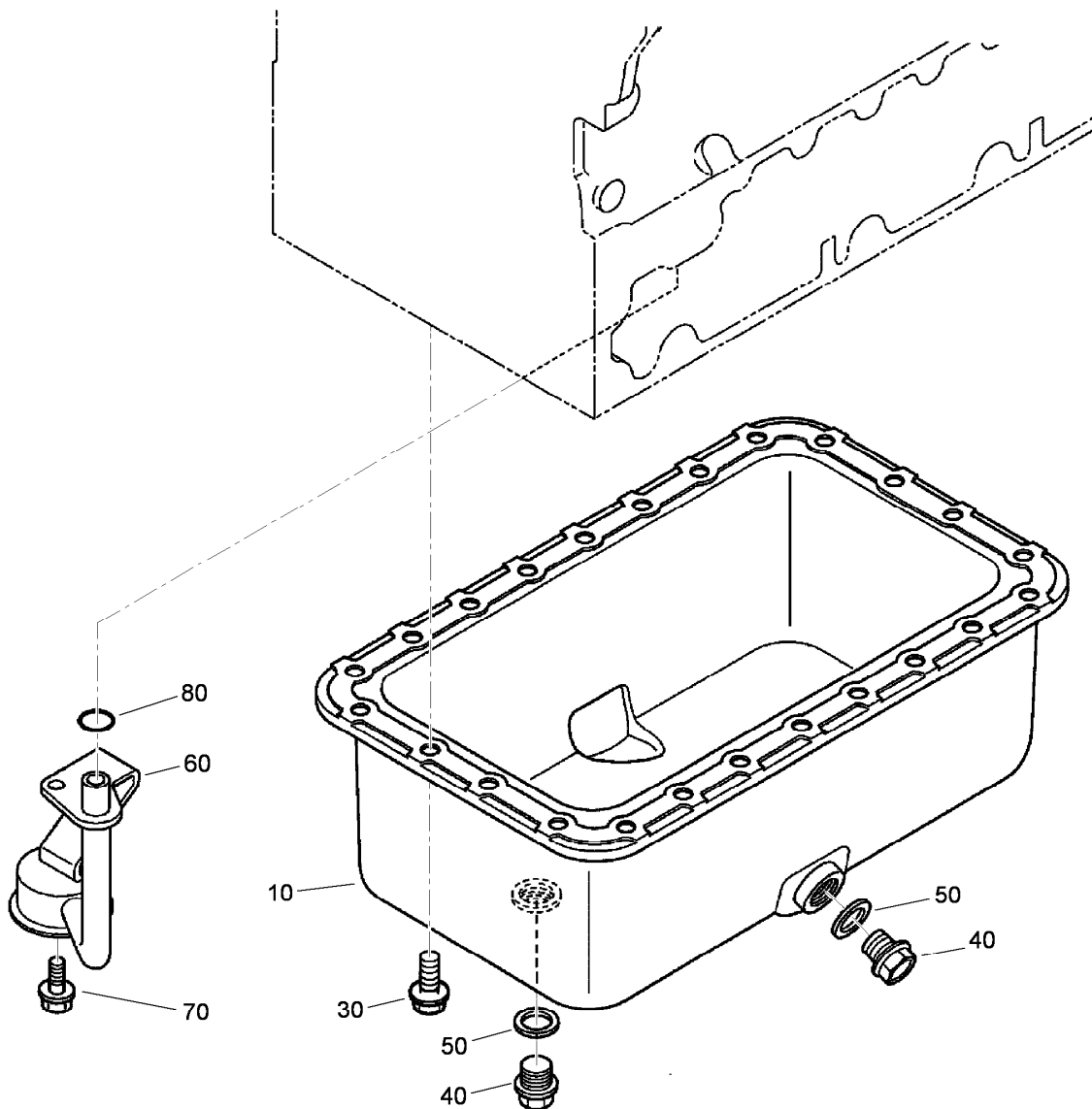
## Battery and Engine Electrical Assembly

<i>Ref.</i>	<i>Part Number</i>	<i>Qty.</i>	<i>Description</i>
1	121-6589	1	Cable-Battery, Positive
2	117-2372	1	Harness-Wire, Alternator
3	122-0262	1	Harness-Wire, Engine
3:1	32180-043	1	Resistor-120 Ohm
3:2	100-4918	1	Diode-Over Molded
4	42-9250	1	Bolt



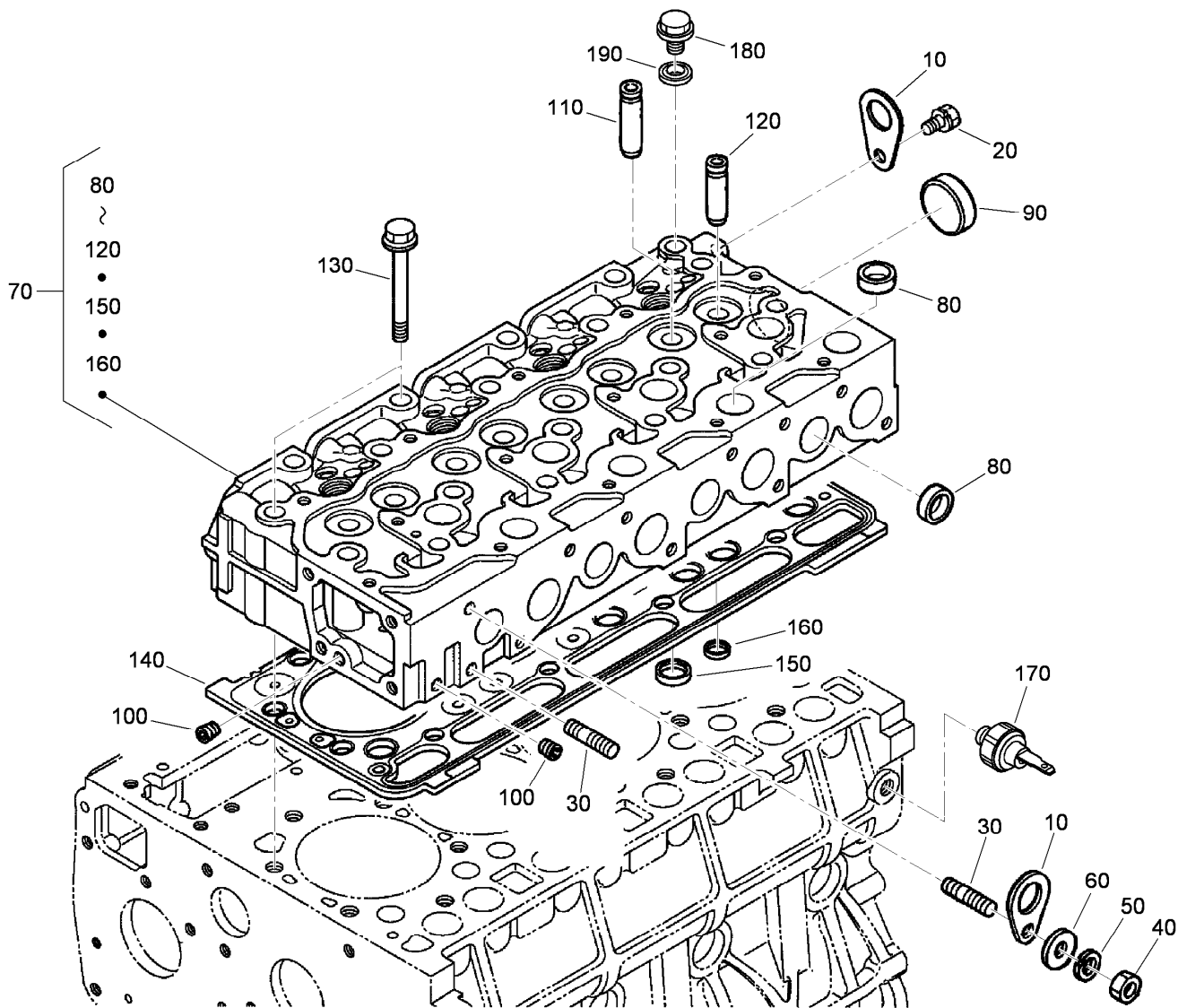
## Crankcase Assembly

<i>Ref.</i>	<i>Part Number</i>	<i>Qty.</i>	<i>Description</i>	<i>Ref.</i>	<i>Part Number</i>	<i>Qty.</i>	<i>Description</i>
10	120-5161	1	Crankcase ASM	100	98-7502	2	Pin-Straight
20	98-7487	6	Plug	110	98-7503	3	Pin-Straight
30	107-0107	2	Plug	120	98-7504	2	Pin-Straight
40	98-9379	3	Plug-Expansion	130	98-7505	1	Pin-Straight
50	98-9668	1	Plug-Expansion	140	98-7506	1	Pin-Pipe
60	98-7500	6	Cap-Sealing	150	100-2020	1	Cap-Sealing
70	98-7501	2	Cap-Sealing	160	120-2559	1	Plug
90	120-5842	1	Plug	170	98-7428	1	Gasket



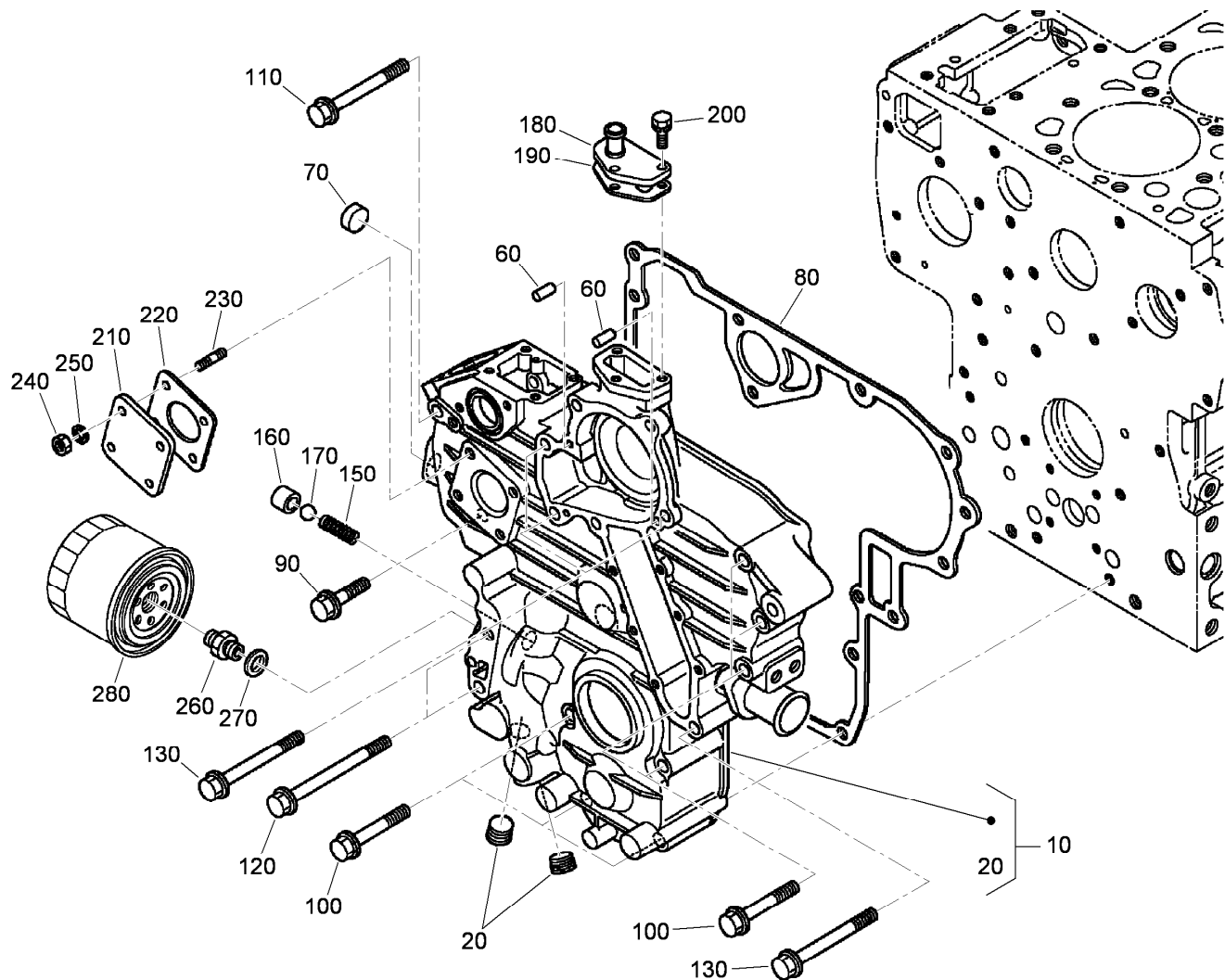
## Oil Pan Assembly

<i>Ref.</i>	<i>Part Number</i>	<i>Qty.</i>	<i>Description</i>
10	120-5836	1	Oil Pan ASM
30	110-6194	24	Bolt-Flange
40	98-9686	2	Plug-Drain
50	98-9399	2	Gasket
60	115-8503	1	Filter-Oil
70	115-8504	1	Bolt-Flange
80	108-7054	1	O-Ring



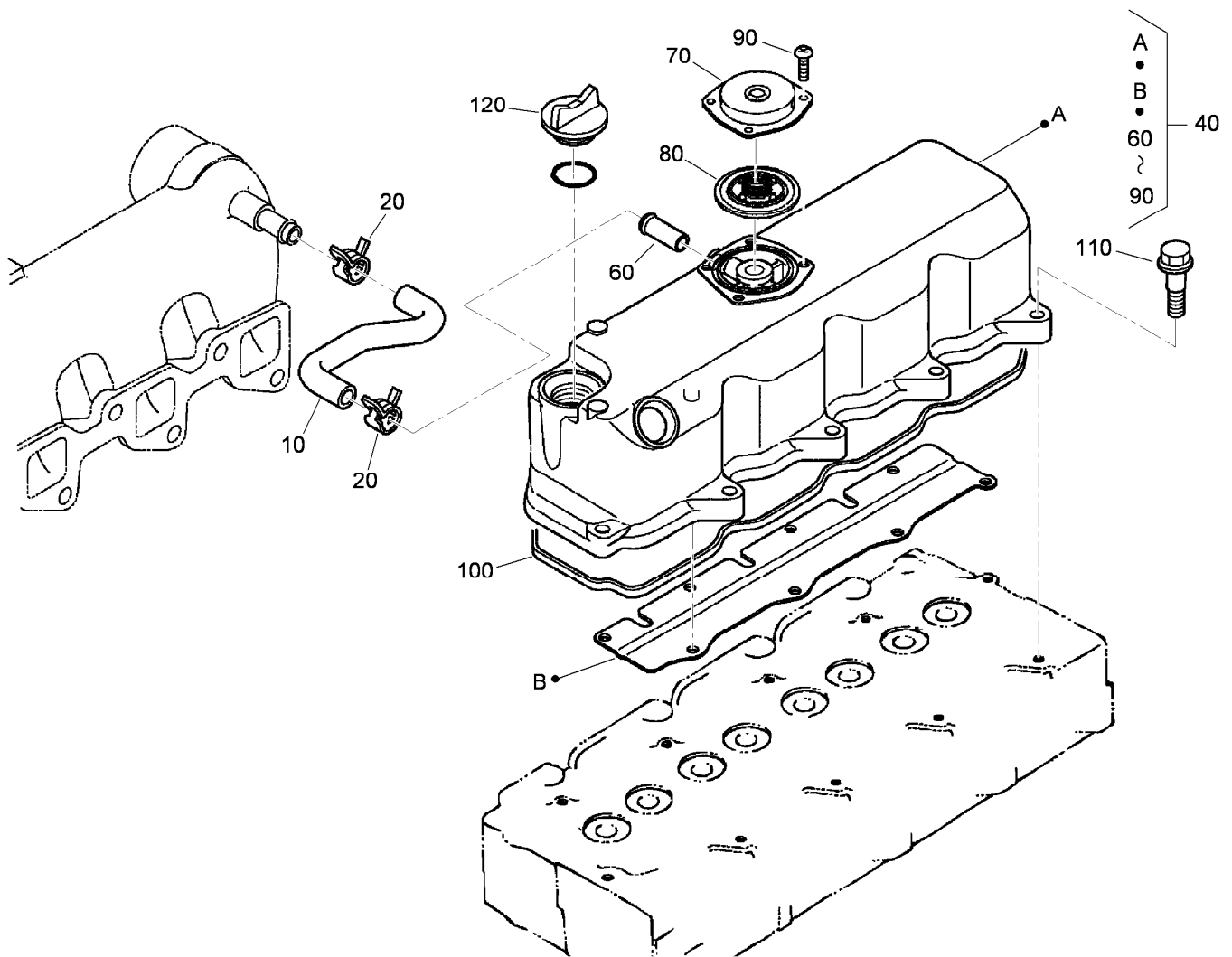
## Cylinder Head Assembly

<i>Ref.</i>	<i>Part Number</i>	<i>Qty.</i>	<i>Description</i>	<i>Ref.</i>	<i>Part Number</i>	<i>Qty.</i>	<i>Description</i>
10	98-7531	2	Hook-Engine	140	115-8509	1	Gasket-Head, Cylinder (1.20Mm)
20	98-7526	1	Bolt	140	115-8510	1	Gasket-Head, Cylinder (1.25Mm)
30	115-8506	2	Stud	140	115-8511	1	Gasket-Head, Cylinder (1.30Mm)
40	98-7534	1	Nut	140	115-8512	1	Gasket-Head, Cylinder (1.35Mm)
50	105-2893	1	Washer-Spring	150	120-5164	4	Seat-Valve, Inlet
60	98-7536	1	Washer-Plain	160	120-5165	4	Seat-Valve, Exhaust
70	120-5162	1	Cylinder Head ASM	170	98-9416	1	Switch-Oil
80	98-7538	12	Cap-Sealing	180	98-7762	1	Plug
90	98-7539	1	Cap-Sealing	190	98-7763	1	Washer-W/Rubber
100	98-7540	2	Plug				
110	120-5163	4	Guide-Valve, Inlet				
120	115-8508	4	Guide-Valve, Exhaust				
130	98-7543	18	Bolt-Head, Cylinder				
140	115-8647	1	Gasket-Head, Cylinder (1.15Mm)				



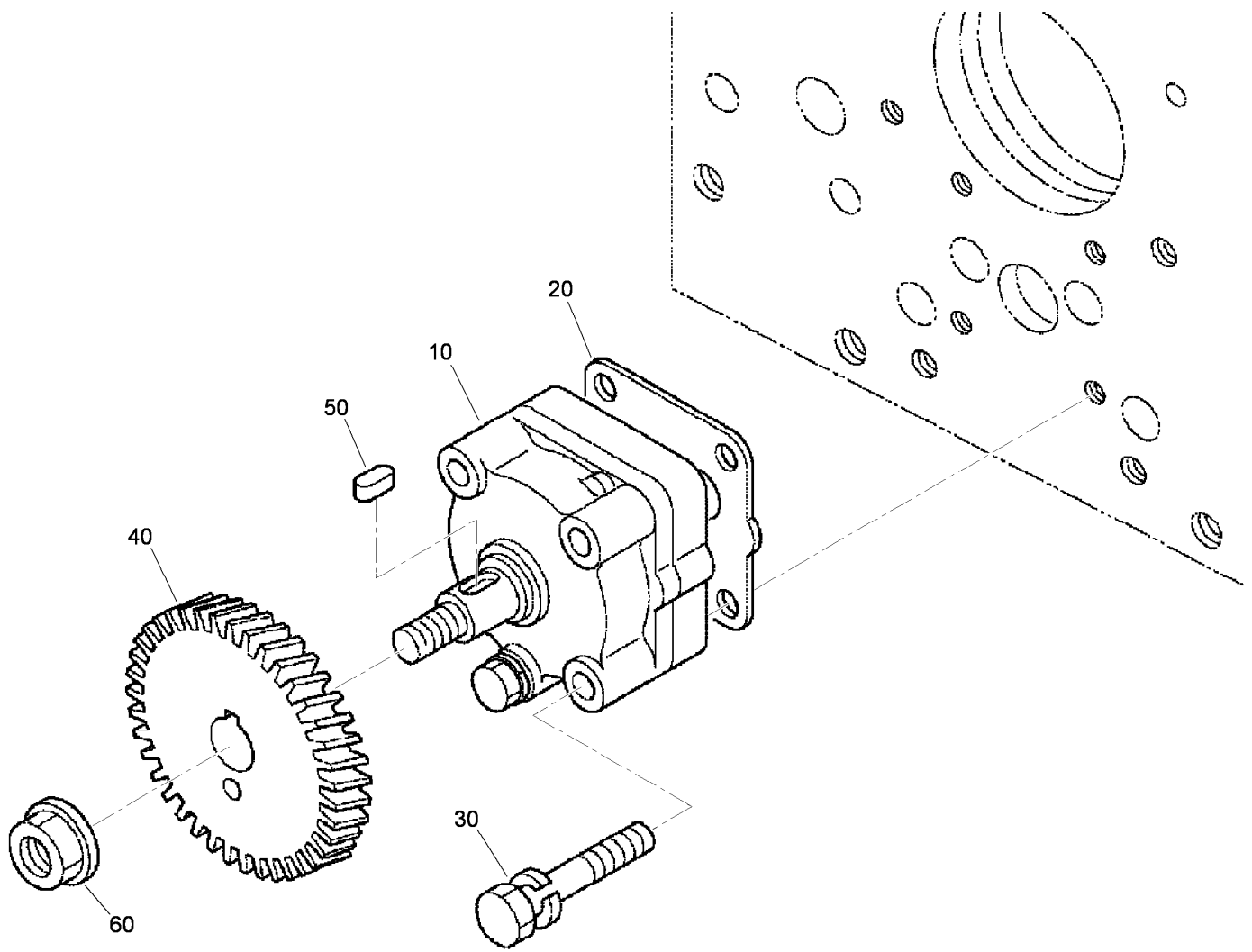
## Gear Case Assembly

Ref.	Part Number	Qty.	Description	Ref.	Part Number	Qty.	Description
10	115-8513	1	Gear Case ASM	170	98-7565	1	Ball
20	98-9598	2	Plug	180	98-7566	1	Flange-Return, Water
60	98-7504	2	Pin-Straight	190	115-8521	1	Gasket-Flange, Return
70	115-8515	1	Cap-Sealing	200	98-7568	3	Bolt
80	120-5166	1	Gasket-Case, Gear	210	98-7569	1	Cover
90	108-7085	1	Bolt-Flange	220	115-8522	1	Gasket-Meter, Hour
100	115-8517	7	Bolt-Flange	230	98-7571	4	Stud
110	115-8518	1	Bolt-Flange	240	98-7572	4	Nut
120	115-8519	2	Bolt-Flange	250	98-7699	4	Washer-Spring
130	115-8520	4	Bolt-Flange	260	120-5167	1	Joint-Pipe
150	98-7563	1	Spring	270	108-4419	1	Collar-Valve Seat
160	98-7564	1	Seat-Valve	280	104-5169	1	Filter-Oil



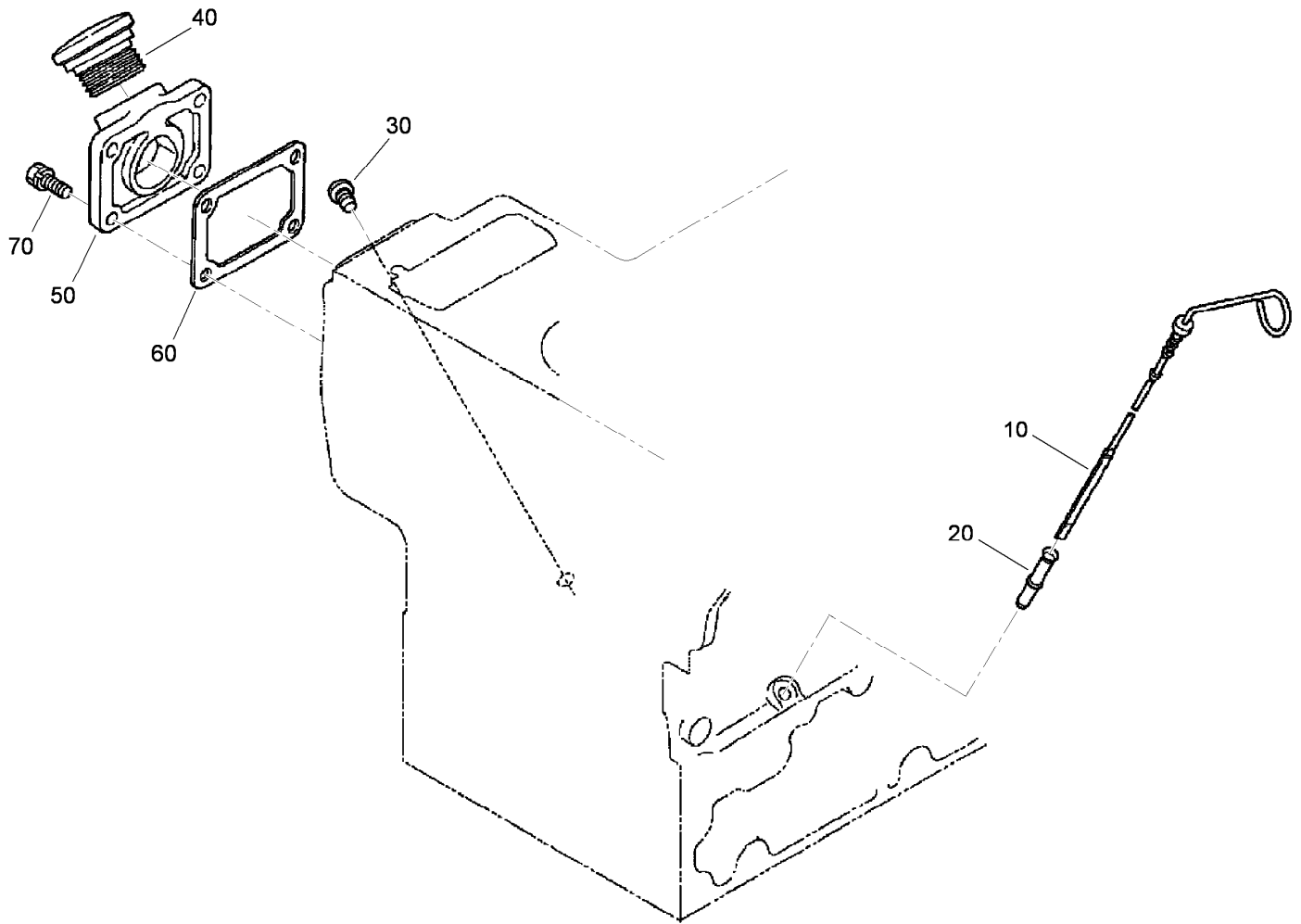
## Cylinder Head Cover Assembly

<i>Ref.</i>	<i>Part Number</i>	<i>Qty.</i>	<i>Description</i>
10	120-5168	1	Tube-Breather
20	115-8524	2	Clamp-Hose
40	115-8525	1	Cylinder Head Cover ASM
60	98-7766	1	Pipe-Return, Water
70	110-3714	1	Cover-Breather
80	110-3715	1	Valve-Breather
90	98-7421	4	Screw W/Washer
100	108-7062	1	Gasket-Cover, Head
110	108-7063	10	Bolt
120	107-9075	1	Plug-Filler, Oil



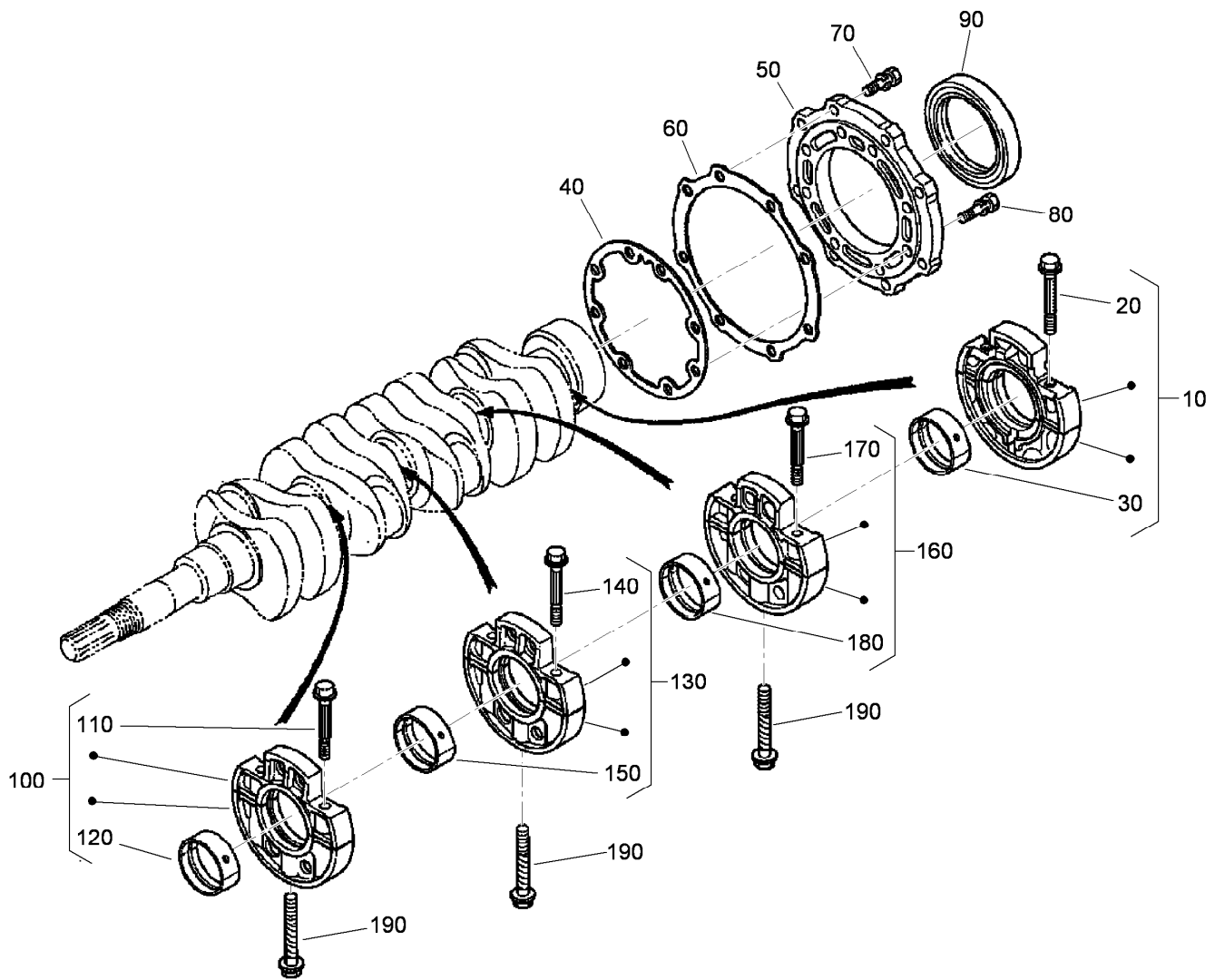
## Oil Pump Assembly

<i>Ref.</i>	<i>Part Number</i>	<i>Qty.</i>	<i>Description</i>
10	98-7512	1	Oil Pump ASM
20	115-8648	1	Gasket-Pump, Oil
30	105-3797	4	Bolt
40	115-8533	1	Gear-Drive, Oil Pump
50	98-7517	1	Key-Feather
60	98-7518	1	Nut-Flange



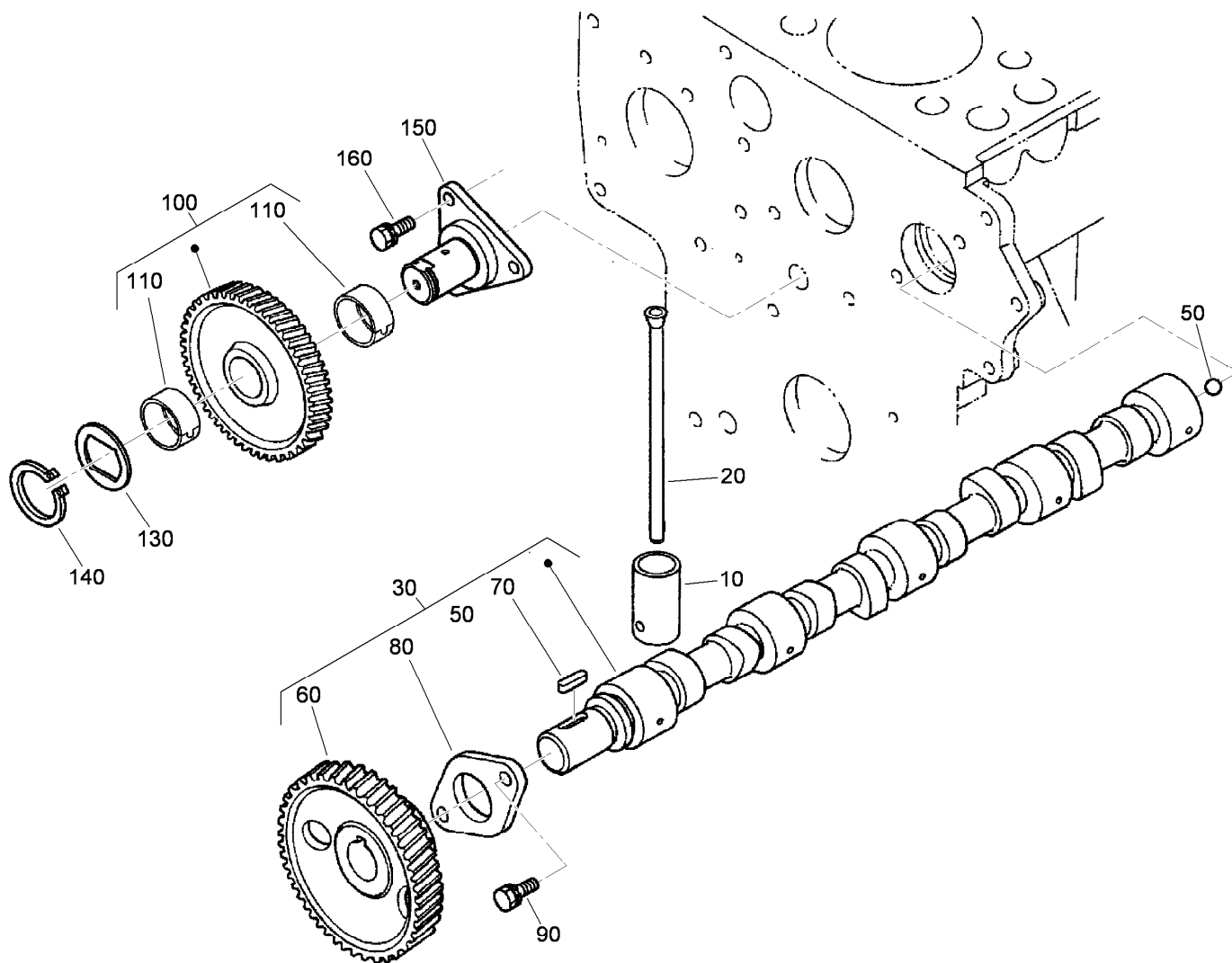
## Dipstick and Guide Assembly

<i>Ref.</i>	<i>Part Number</i>	<i>Qty.</i>	<i>Description</i>
10	120-5169	1	Gauge-Oil
20	105-4580	1	Guide-Gauge, Oil
30	110-3720	1	Plug-Gauge, Oil
40	120-5170	1	Plug-Oil Filler
50	115-8532	1	Flange-Filler, Oil
60	98-7604	1	Gasket-Cover, Pump
70	98-7605	4	Bolt



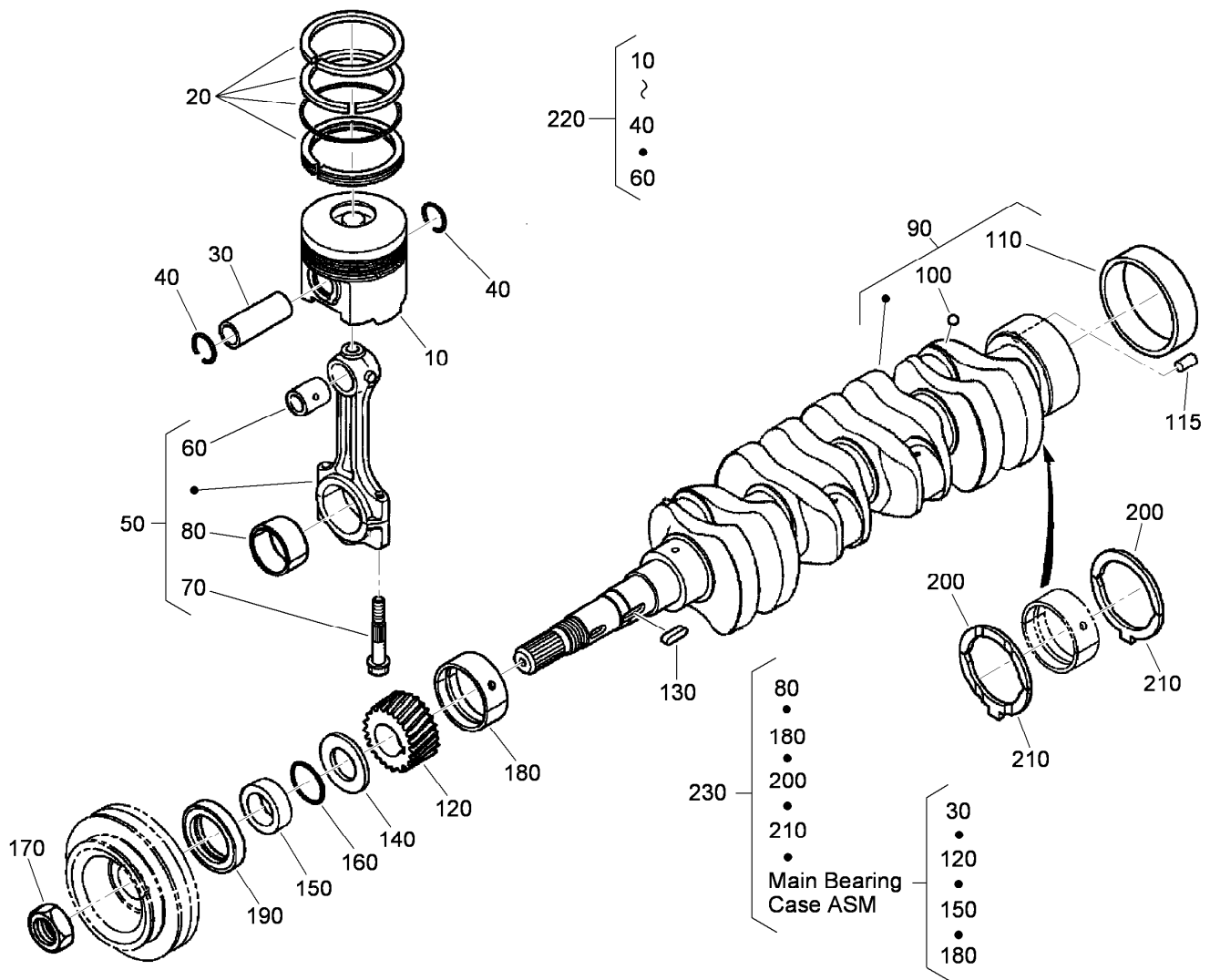
## Main Bearing Case Assembly

<i>Ref.</i>	<i>Part Number</i>	<i>Qty.</i>	<i>Description</i>	<i>Ref.</i>	<i>Part Number</i>	<i>Qty.</i>	<i>Description</i>
10	115-8534	1	Wheel Bearing Case ASM	120	108-7067	1	Metal-Crankshaft (STD)
20	108-7066	2	Bolt-Case, Bearing	120	108-7068	1	Metal-Crankshaft (-0.20Mm)
30	108-7067	1	Metal-Crankshaft (STD)	120	108-7069	1	Metal-Crankshaft (-0.40Mm)
30	108-7068	1	Metal-Crankshaft (-0.20Mm)	130	108-7074	1	Main Bearing Case ASM
30	108-7069	1	Metal-Crankshaft (-0.40Mm)	140	108-7066	2	Bolt-Case, Bearing
40	108-7070	1	Gasket-Case, Bearing	150	108-7069	1	Metal-Crankshaft (-0.40Mm)
50	117-8843	1	Cover-Case, Bearing	150	108-7068	1	Metal-Crankshaft (-0.20Mm)
60	98-7437	1	Gasket-Case Cover, Bearing	150	108-7067	1	Metal-Crankshaft (STD)
70	98-7438	8	Bolt	160	115-8536	1	Main Bearing Case ASM
80	98-7439	8	Bolt	170	108-7066	2	Bolt-Case, Bearing
90	108-7072	1	Seal-Oil	180	108-7067	1	Metal-Crankshaft (STD)
100	115-8535	1	Main Bearing Case ASM	180	108-7068	1	Metal-Crankshaft (-0.20Mm)
110	108-7066	2	Bolt-Case, Bearing	180	108-7069	1	Metal-Crankshaft (-0.40Mm)
				190	98-7444	3	Bolt-Case, Bearing



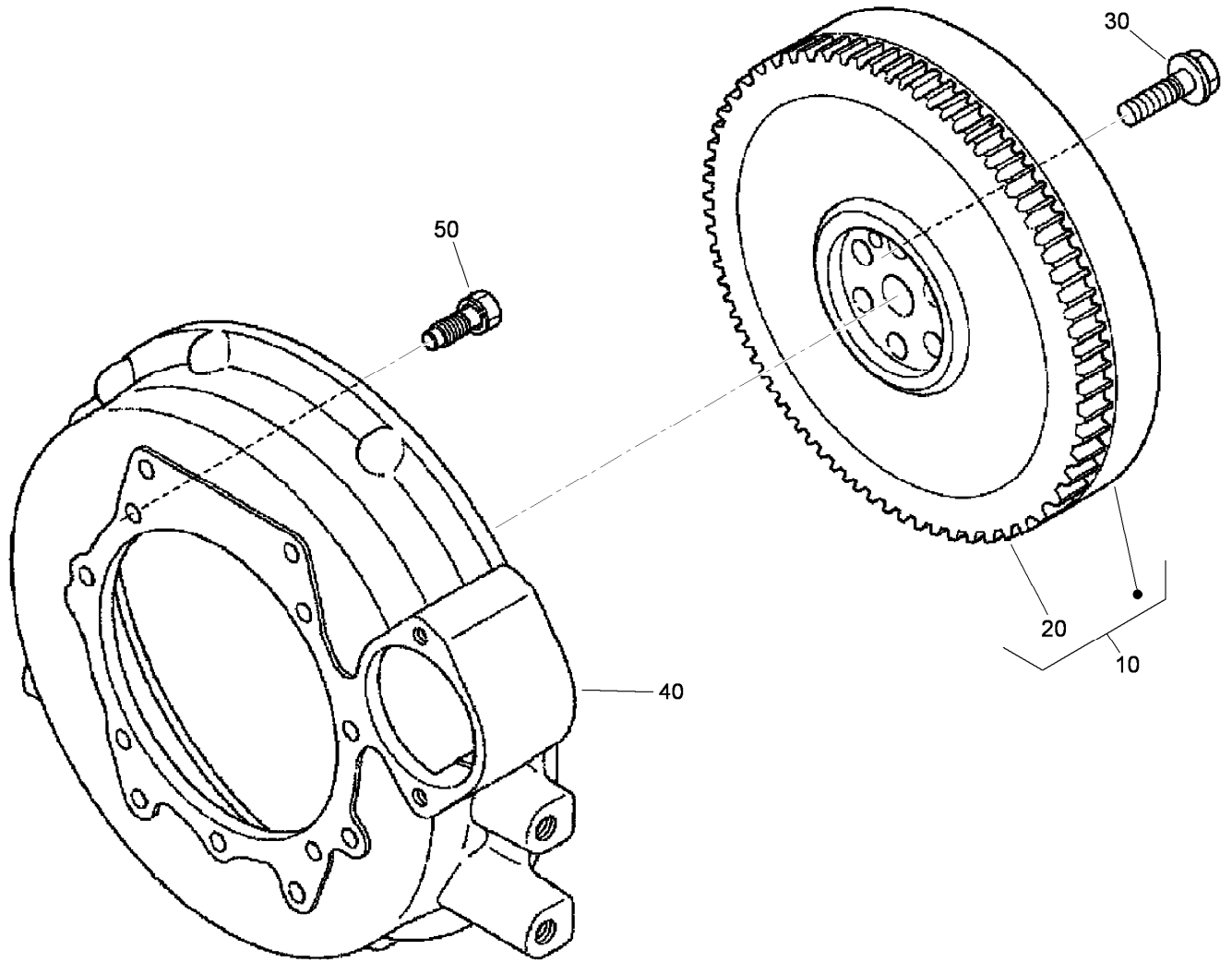
## Cam Shaft and Idle Gear Assembly

<i>Ref.</i>	<i>Part Number</i>	<i>Qty.</i>	<i>Description</i>
10	98-7445	8	Tappet
20	115-8537	8	Rod-Push
30	120-5171	1	Camshaft ASM
50	110-3729	1	Ball
60	120-5172	1	Gear-Cam
70	98-7451	1	Key-Feather
80	120-5173	1	Stopper-Camshaft
90	98-7453	2	Bolt
100	120-5174	1	Idle Gear ASM
110	120-5175	1	Bushing-Gear, Idle
130	107-0111	1	Collar
140	120-5176	1	Circlip
150	120-5177	1	Shaft-Gear, Idle
160	98-7453	3	Bolt



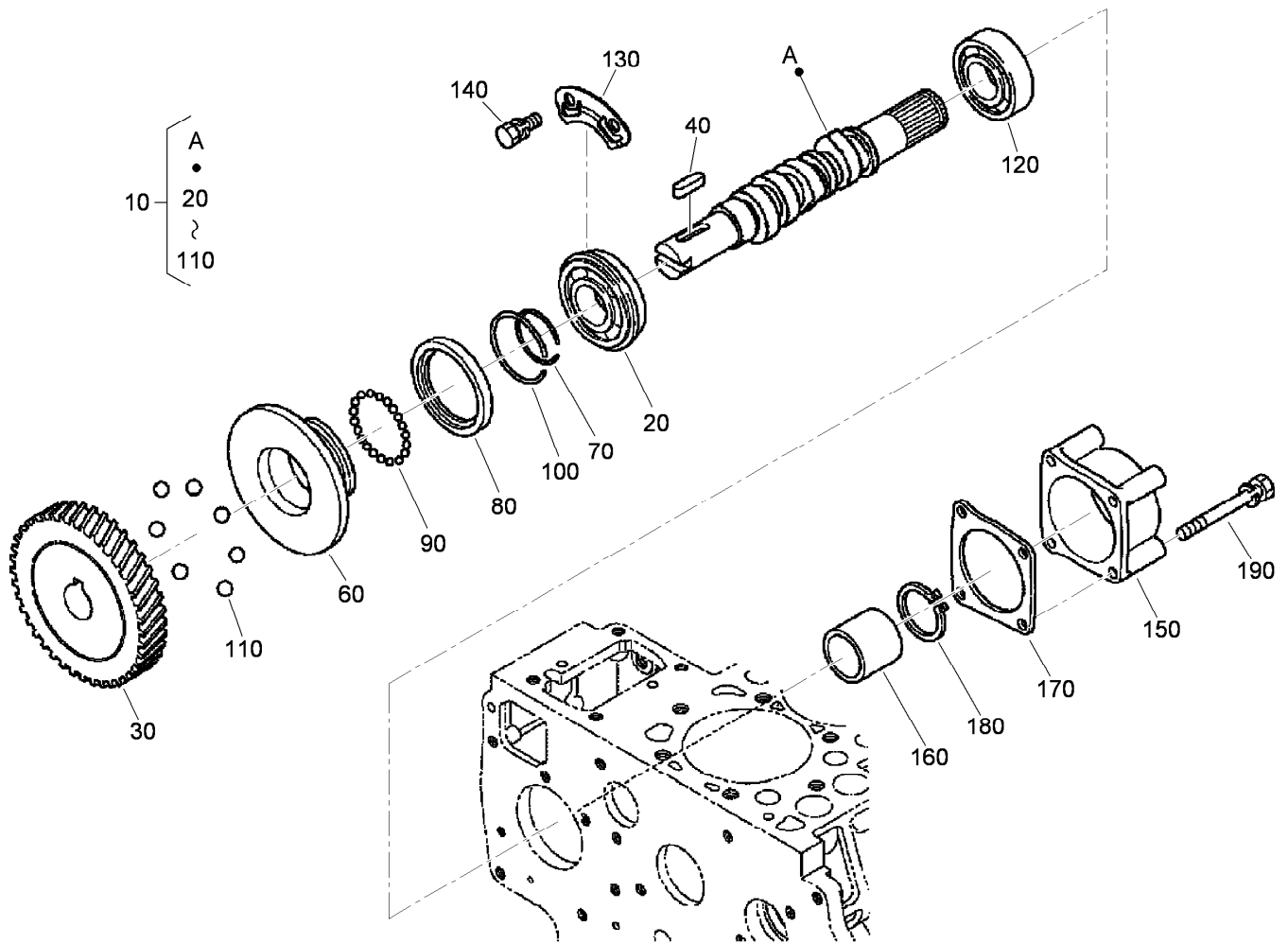
## Piston and Crankshaft Assembly

Ref.	Part Number	Qty.	Description	Ref.	Part Number	Qty.	Description
10	120-5180	4	Piston (STD)	160	98-7478	1	O-Ring
10	120-5181	4	Piston (+0.25Mm)	170	98-7479	1	Nut-Crankshaft
20	120-5182	4	Piston Ring ASM (STD)	180	108-7075	1	Metal-Crankshaft (STD)
20	120-5183	4	Piston Ring ASM (+0.25Mm)	180	108-7076	1	Metal-Crankshaft (-0.20Mm)
30	115-8544	4	Pin-Piston	180	108-7077	1	Metal-Crankshaft (-0.40Mm)
40	112-7002	8	Circlip	190	98-7480	1	Seal-Oil
50	120-5837	4	Connecting Rod ASM	200	108-7078	2	Metal-Side (STD)
60	120-5838	4	Bushing-Pin, Piston	200	108-7079	2	Metal-Side (+0.20Mm)
70	98-7468	8	Bolt-Rod, Connecting	200	108-7080	2	Metal-Side (+0.40Mm)
80	115-8547	4	Metal-Crankpin (-0.20Mm)	210	108-7081	2	Metal-Side (STD)
80	115-8548	4	Metal-Crankpin (-0.40Mm)	210	108-7082	2	Metal-Side (+0.20Mm)
80	98-7469	4	Metal-Crankpin (STD)	210	108-7083	2	Metal-Side (+0.40Mm)
90	120-5839	1	Crankshaft ASM	220	120-5186	1	Piston Kit (STD)
100	110-3729	4	Ball	220	120-5187	1	Piston Kit (+0.25Mm)
110	98-7474	1	Sleeve-Crankshaft	230	120-5188	1	Engine Metal Kit (STD)
115	120-5840	1	Pin-Straight	230	115-8555	1	Engine Metal Kit (-0.20Mm/+0.20Mm)
120	120-5185	1	Gear-Crankshaft	230	115-8556	1	Engine Metal Kit (-0.40Mm/+0.40Mm)
130	115-8552	1	Key-Feather				
140	98-7476	1	Slinger-Oil				
150	98-7477	1	Collar-Crankshaft				



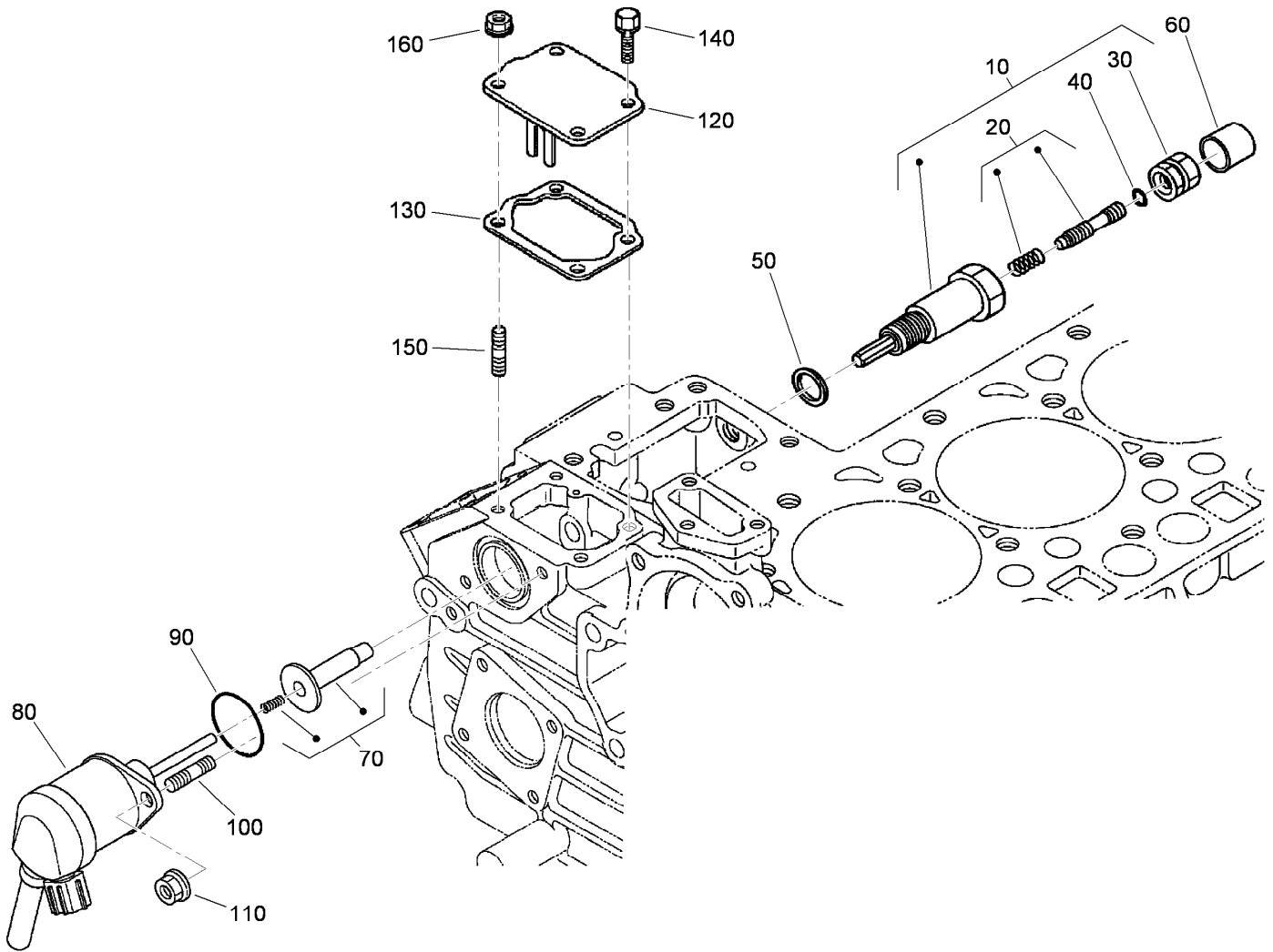
## Flywheel Assembly

<i>Ref.</i>	<i>Part Number</i>	<i>Qty.</i>	<i>Description</i>
10	115-8557	1	Flywheel ASM
20	115-8558	1	Gear-Ring
30	120-5189	6	Bolt-Flywheel
40	115-8559	1	Housing-Flywheel
50	98-7885	11	Bolt



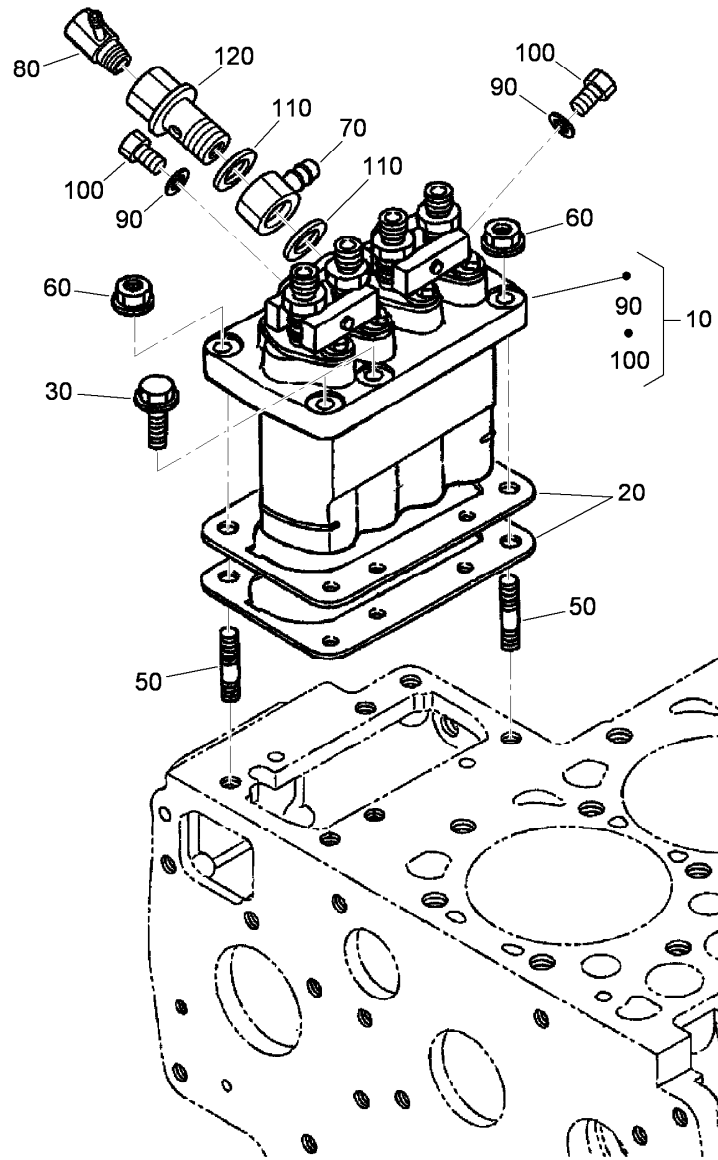
## Fuel Camshaft and Governor Shaft Assembly

<i>Ref.</i>	<i>Part Number</i>	<i>Qty.</i>	<i>Description</i>	<i>Ref.</i>	<i>Part Number</i>	<i>Qty.</i>	<i>Description</i>
10	120-5190	1	Fuel Camshaft ASM	110	98-7582	7	Ball
20	120-5191	1	Bearing-Ball	120	115-8562	1	Bearing-Ball
30	98-7574	1	Gear-Pump, Injection	130	120-5193	1	Stopper-Camshaft, Fuel
40	98-7575	1	Key-Feather	140	100-9195	2	Bolt
60	98-7577	1	Sleeve-Governor	150	115-8564	1	Cover-Camshaft, Fuel
70	98-7578	1	Circlip-Sleeve, Governor	160	115-8565	1	Collar
80	120-5192	1	Case-Ball, Governor	170	115-8566	1	Gasket
90	98-7580	39	Ball	180	120-5194	1	Circlip-External
100	98-7581	1	Circlip	190	98-7590	4	Bolt



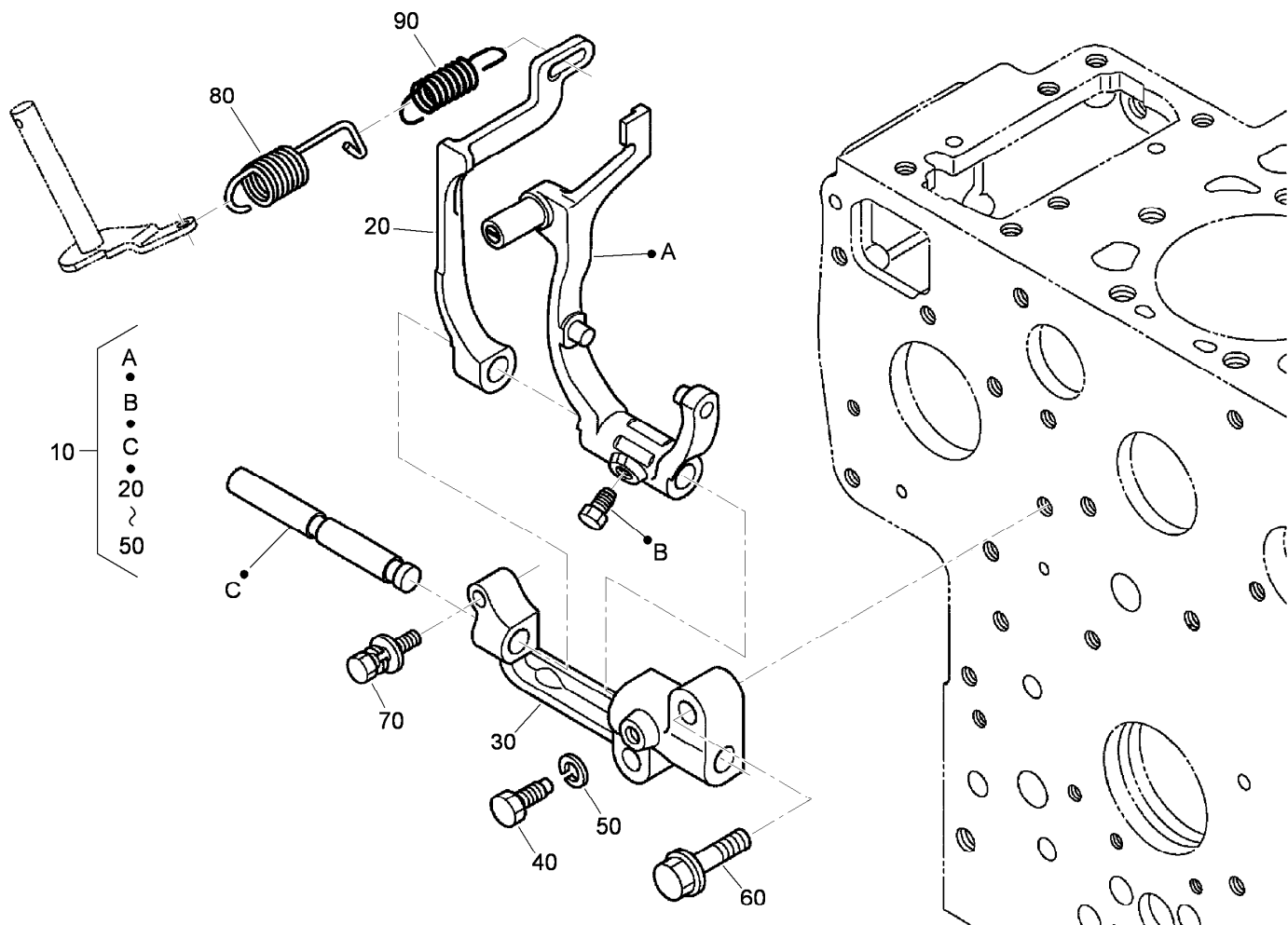
## Idle Apparatus and Stop Solenoid Assembly

<i>Ref.</i>	<i>Part Number</i>	<i>Qty.</i>	<i>Description</i>	<i>Ref.</i>	<i>Part Number</i>	<i>Qty.</i>	<i>Description</i>
10	120-5195	1	Apparatus-Idling	90	110-3762	1	O-Ring
20	120-5196	1	Adjustment Bolt ASM	100	98-7571	2	Stud
30	115-8569	1	Nut-Spring	110	100-2203	2	Nut-Flange
40	115-8570	1	O-Ring	120	120-5818	1	Cover
50	115-8571	1	Gasket	130	115-8578	1	Gasket-Plate
60	115-8572	1	Cap	140	98-7692	2	Bolt
70	115-8579	1	Guide-Solenoid	150	100-1924	2	Stud
80	115-8580	1	Solenoid ASM	160	100-2203	2	Nut-Flange



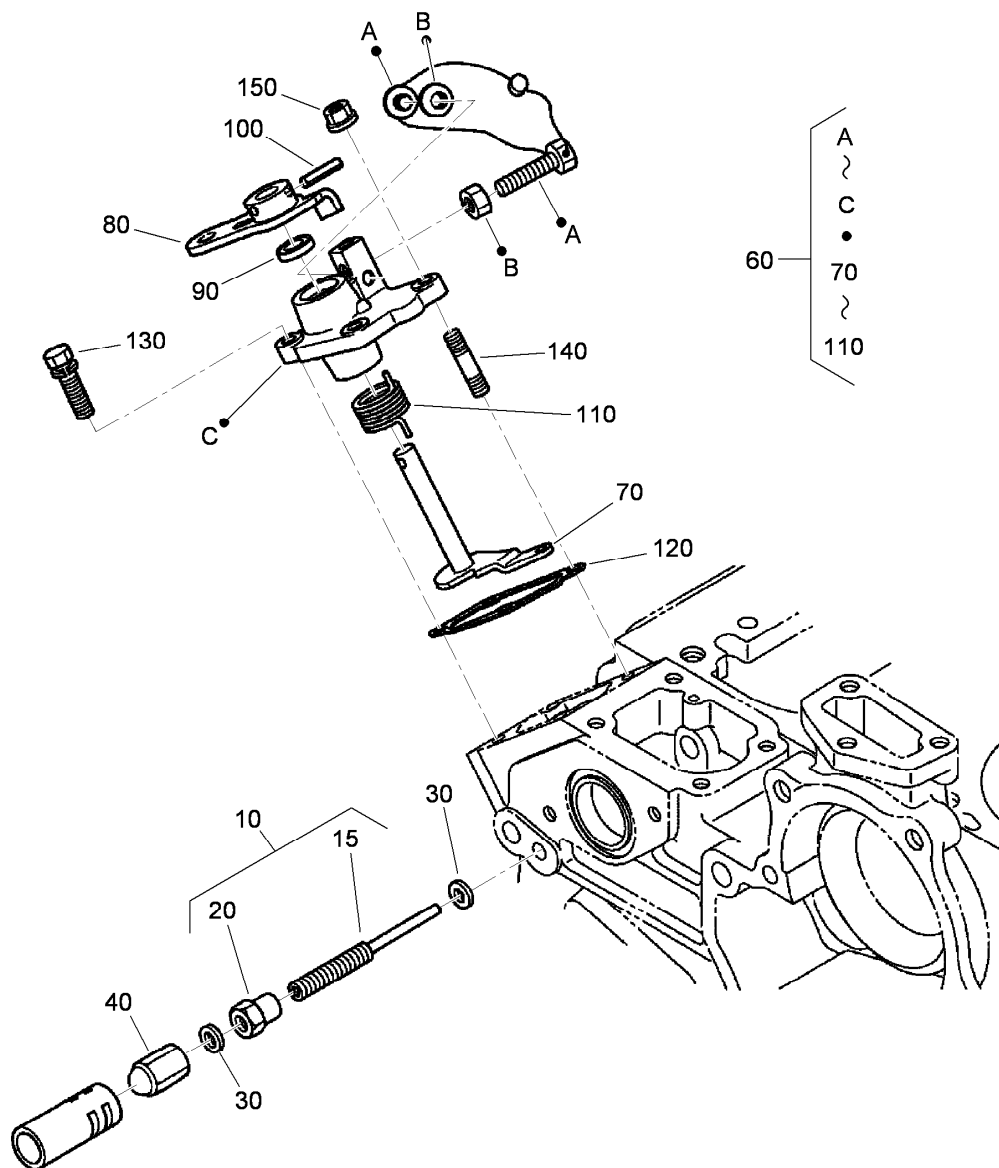
## Injection Pump Assembly

<i>Ref.</i>	<i>Part Number</i>	<i>Qty.</i>	<i>Description</i>
10	120-5197	1	Injection Pump ASM
20	115-8582	1	Shim-Pump, Injection (0.175Mm)
20	98-7607	1	Shim-Pump, Injection (0.200Mm)
20	107-0147	1	Shim-Pump, Injection (0.250Mm)
20	107-0148	1	Shim-Pump, Injection (0.300Mm)
20	120-5198	1	Shim-Pump, Injection (0.350Mm)
30	115-8583	4	Bolt-Flange
50	100-1558	2	Stud
60	112-2492	2	Nut-Flange
70	119-8045	1	Joint-Eye
80	107-4300	1	Orifice ASM
90	120-5199	2	Gasket
100	120-5800	2	Screw-Bleeder, Air
110	119-8047	2	Gasket
120	119-8046	1	Bolt-Joint, Eye



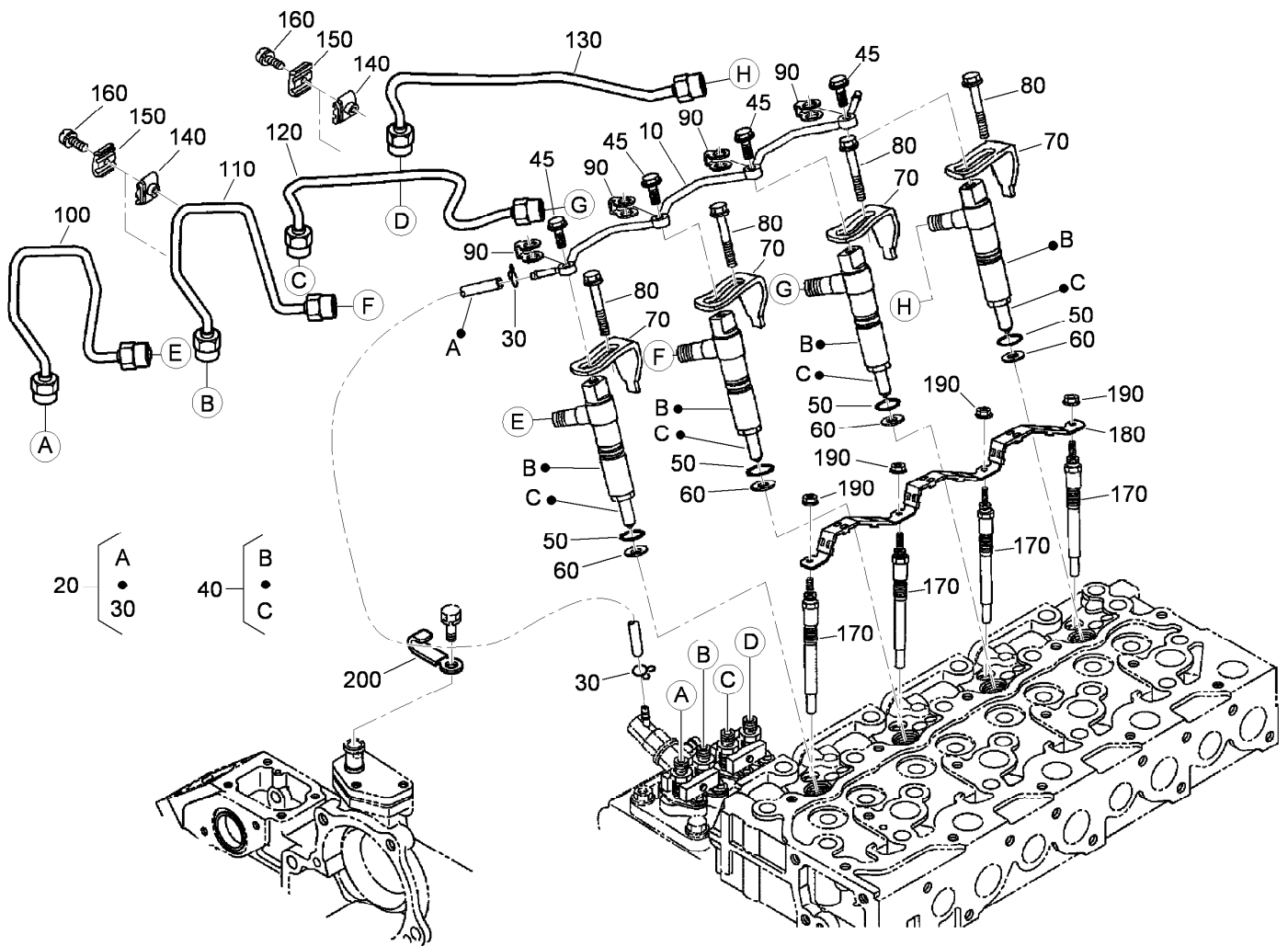
## Governor Assembly

Ref.	Part Number	Qty.	Description
10	120-5801	1	Fork Lever ASM
20	115-8585	1	Lever-Fork
30	98-7643	1	Holder-Lever, Fork
40	98-7644	1	Bolt
50	98-7699	1	Washer-Spring
60	108-7085	2	Bolt-Flange
70	108-7086	1	Bolt
80	120-5802	1	Spring-Governor
90	120-5803	1	Spring-Governor



## Speed Control Plate Assembly

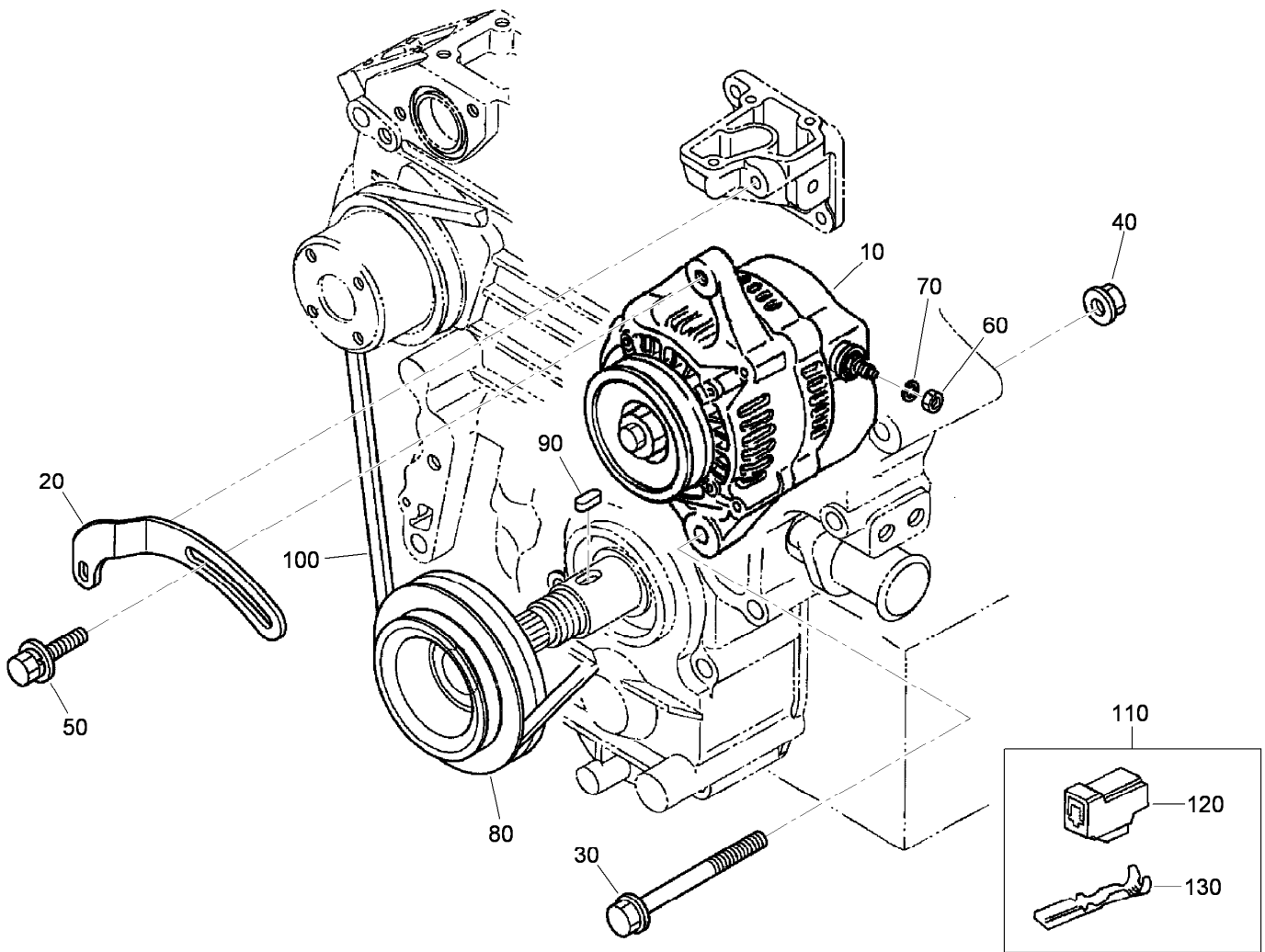
Ref.	Part Number	Qty.	Description
10	107-0132	1	Adjustable Bolt ASM
15	115-8588	1	Bolt-Adjusting
20	98-7653	1	Nut
30	98-7654	2	Gasket
40	98-7655	1	Nut-Cap
60	115-8589	1	Control Plate ASM
70	115-8590	1	Lever-Governor
80	115-8591	1	Lever-Control, Speed
90	115-8576	1	Seal-Oil
100	98-7602	1	Pin-Spring
110	115-8593	1	Spring-Return
120	115-8578	1	Gasket-Plate
130	98-7568	2	Bolt
140	98-7571	2	Stud
150	100-2203	2	Nut-Flange



## Nozzle Holder and Glow Plug Assembly

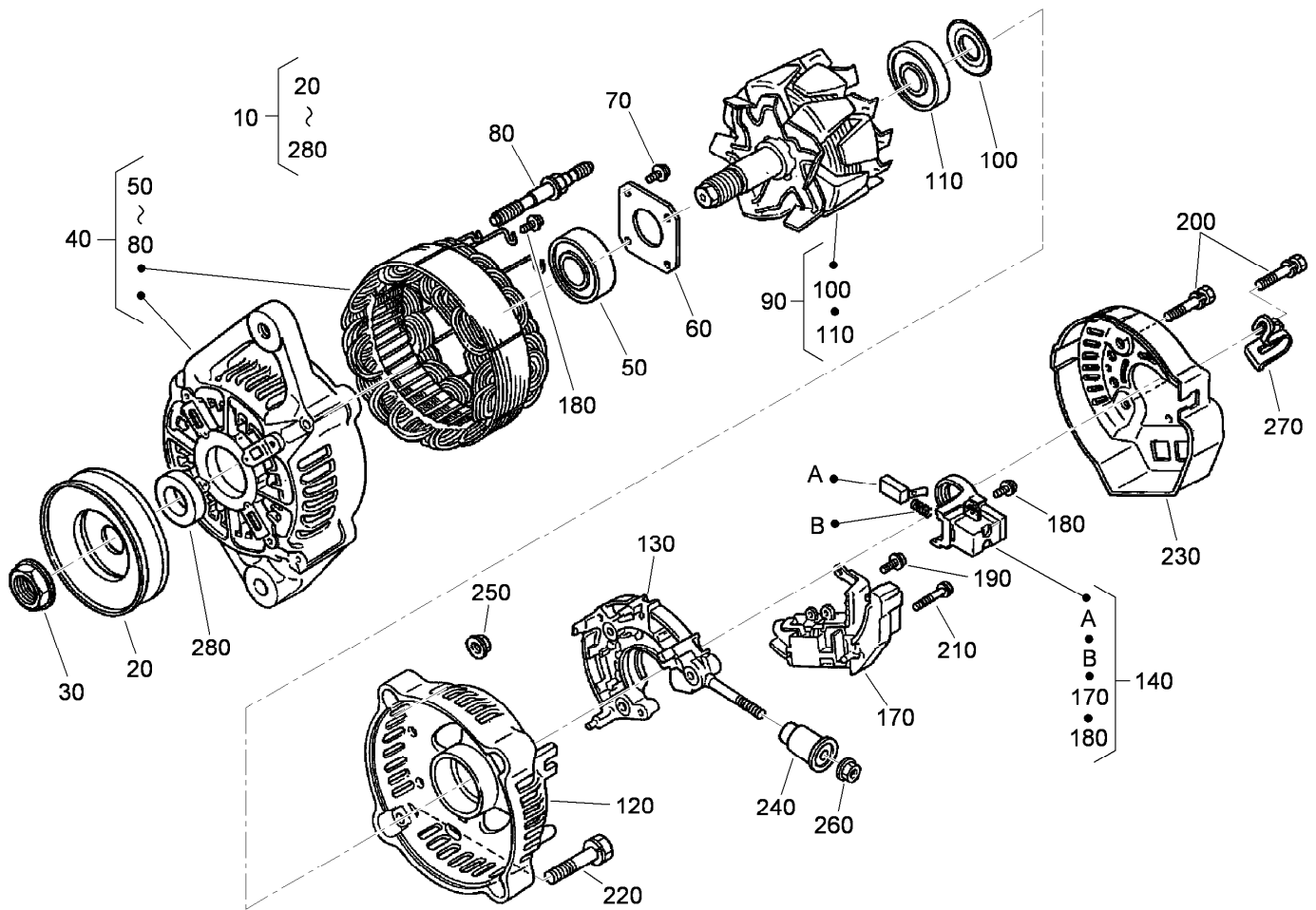
Ref.	Part Number	Qty.	Description
10	120-5804	1	Overflow Pipe ASM
20	120-5805	1	Fuel Tube ASM
30	115-8595	2	Clip-Pipe
40	120-5806	4	Nozzle Holder ASM
45	120-5807	4	Bolt-Joint, Eye
50	98-7547	4	O-Ring
60	120-5808	4	Gasket
70	120-5809	4	Clamp-Nozzle
80	120-5810	4	Bolt-Clamp
90	120-5811	4	Gasket
100	120-5812	1	Pipe-Injection

Ref.	Part Number	Qty.	Description
110	120-5813	1	Pipe-Injection
120	120-5814	1	Pipe-Injection
130	120-5815	1	Pipe-Injection
140	98-7682	2	Clamp-Pipe
150	98-7683	2	Clamp-Pipe
160	98-7684	2	Screw (W/Washer)
170	120-5816	4	Plug-Glow
180	120-5817	1	Cord-Plug, Glow
190	99-8377	4	Nut-Flange
200	98-7673	1	Clamp-Cord



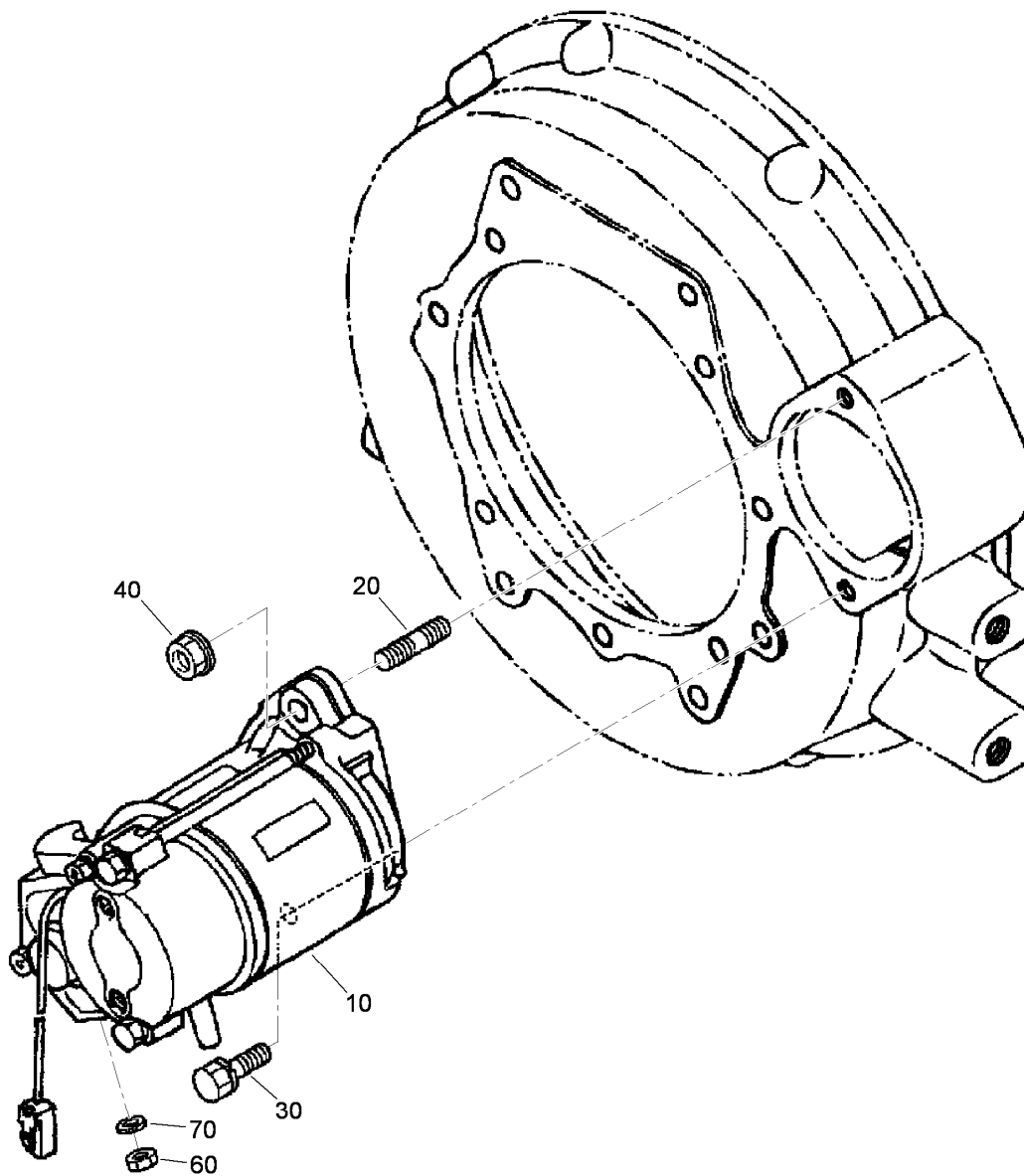
## Alternator and Pulley Assembly

Ref.	Part Number	Qty.	Description
10	120-5819	1	Alternator
20	120-5820	1	Stay-Dynamo
30	120-5821	1	Bolt-Flange
40	120-5822	1	Nut-Flange
50	108-7088	1	Bolt
60	98-7572	1	Nut
70	98-7699	1	Washer-Spring
80	120-5823	1	Pulley-Drive, Fan
90	98-7451	1	Key-Feather
100	120-5824	1	Belt-Fan
110	115-8600	1	Coupler ASM
120	115-8601	1	Connector
130	115-8602	2	Terminal



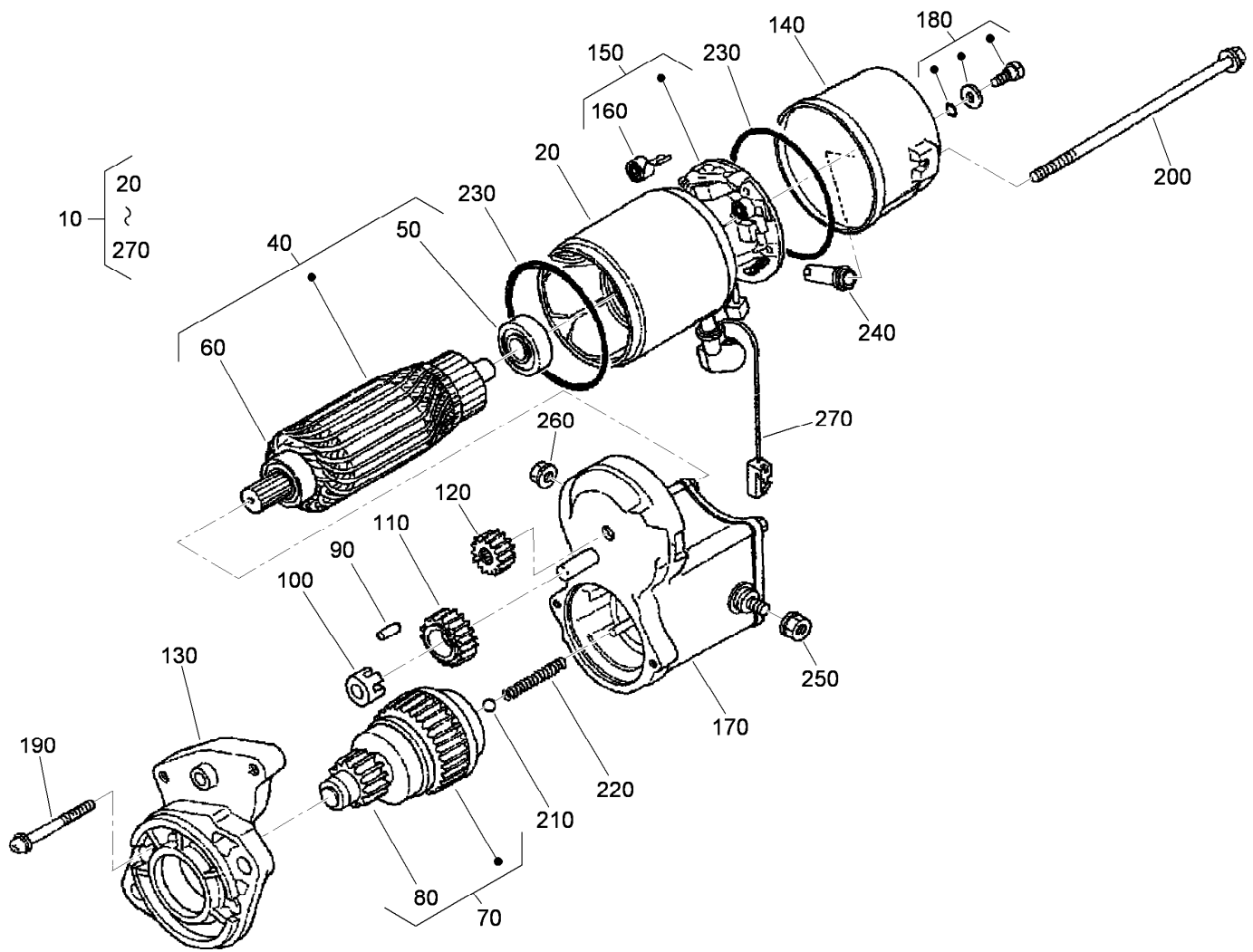
## Alternator Component Part Assembly

Ref.	Part Number	Qty.	Description	Ref.	Part Number	Qty.	Description
10	120-5819	1	Alternator	140	107-0141	1	Brush Holder ASM
20	98-7707	1	Pulley-Alternator	170	110-3799	1	Regulator ASM
30	98-7708	1	Nut	180	98-7727	6	Screw-Head, Round
40	117-0316	1	Drive End Frame ASM	190	98-7728	1	Screw-Head, Round
50	107-0137	1	Bearing-Ball	200	98-7729	3	Bolt
60	98-7715	1	Plate-Retainer	210	98-7726	2	Screw-Head, Round
70	98-7716	4	Screw-Head, Round	220	98-7731	2	Bolt
80	98-7717	2	Bolt-Through	230	117-0320	1	Cover-End
90	117-0317	1	Rotor ASM	240	98-7722	1	Bushing-Insulation
100	98-7711	1	Cover-Bearing	250	98-7730	2	Nut
110	107-0138	1	Bearing-Ball	260	98-7732	1	Nut
120	117-0318	1	Frame-End	270	120-5841	1	Clamp-Cord
130	117-0322	1	Holder	280	98-7709	1	Collar



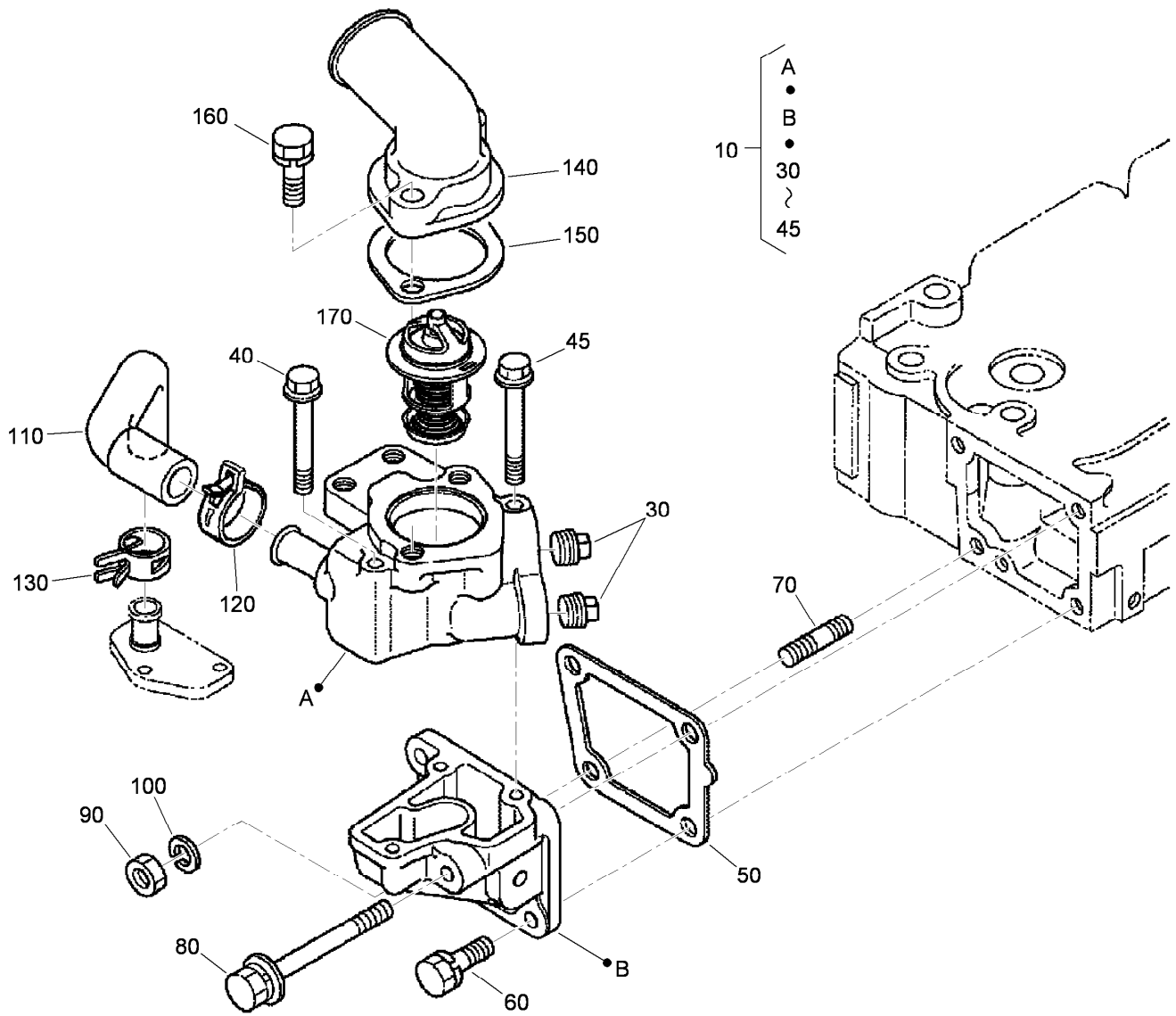
## Starter Assembly

<i>Ref.</i>	<i>Part Number</i>	<i>Qty.</i>	<i>Description</i>
10	115-8603	1	Starter ASM
20	98-7735	1	Stud
30	98-7736	1	Bolt
40	115-8597	1	Nut-Flange
60	98-7739	1	Nut
70	105-2893	1	Washer-Spring



## Starter Components Assembly

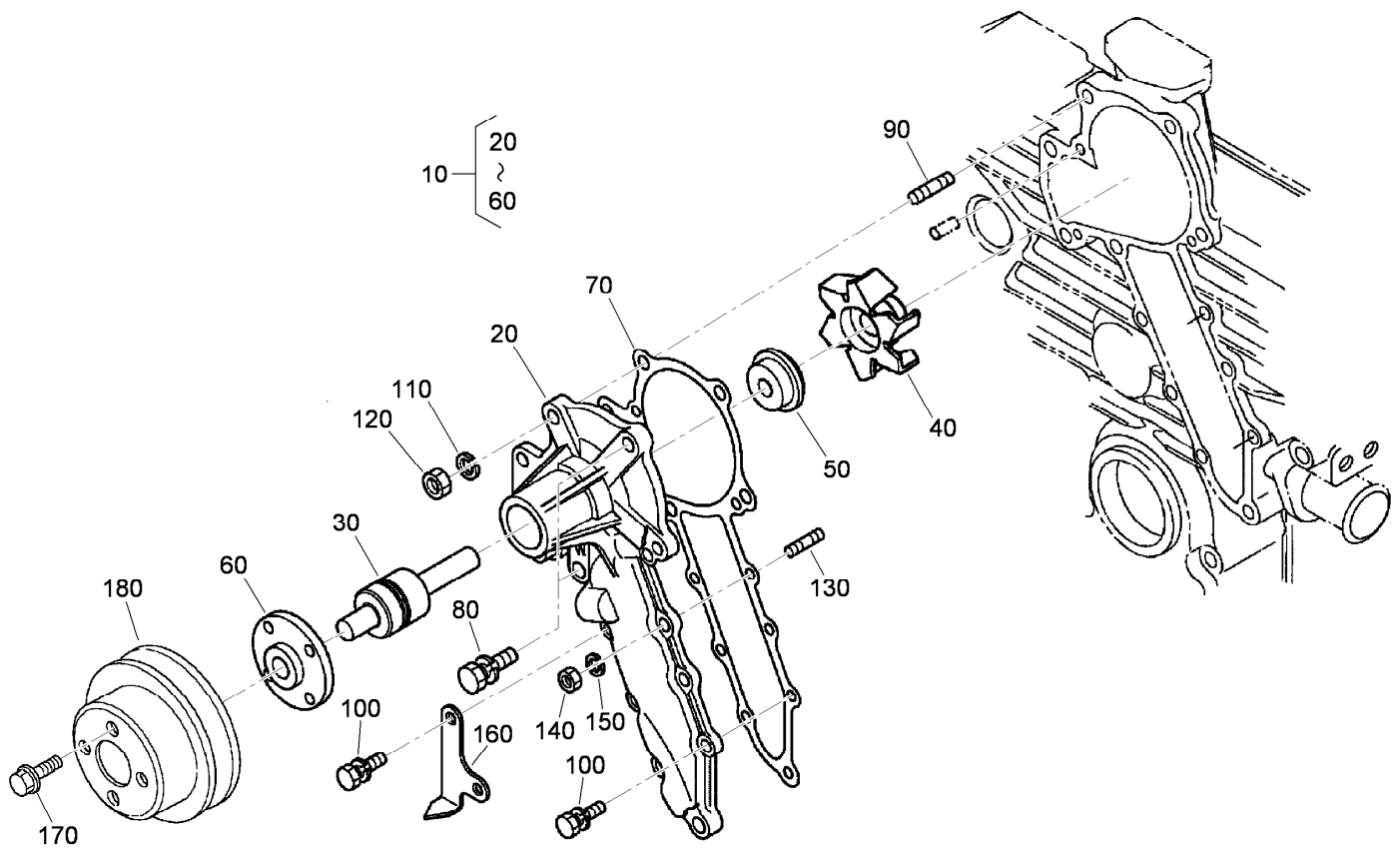
<i>Ref.</i>	<i>Part Number</i>	<i>Qty.</i>	<i>Description</i>	<i>Ref.</i>	<i>Part Number</i>	<i>Qty.</i>	<i>Description</i>
10	115-8603	1	Starter ASM	150	115-8612	1	Holder-Brush
20	115-8604	1	Yoke	160	115-8613	4	Spring
40	115-8606	1	Armature	170	115-8615	1	Magnetic Switch ASM
50	115-8607	1	Bearing	180	115-8616	2	Screw
60	98-7744	1	Bearing	190	115-8617	2	Screw
70	115-8608	1	Clutch-Running, Over	200	115-8618	2	Bolt-Thru
80	112-2833	1	Gear-Pinion	210	98-7755	1	Ball
90	98-9707	5	Roller	220	98-7754	1	Spring
100	98-7752	1	Retainer	230	98-7757	2	O-Ring
110	98-7751	1	Gear	240	115-8619	1	Pipe-Drain
120	115-8609	1	Gear	250	98-7760	1	Nut-Hex
130	115-8610	1	Frame-End, Drive	260	99-8376	1	Nut-Hex
140	115-8611	1	Frame-End	270	98-9711	1	Cord-Solenoid, Stop



## Water Flange and Thermostat Assembly

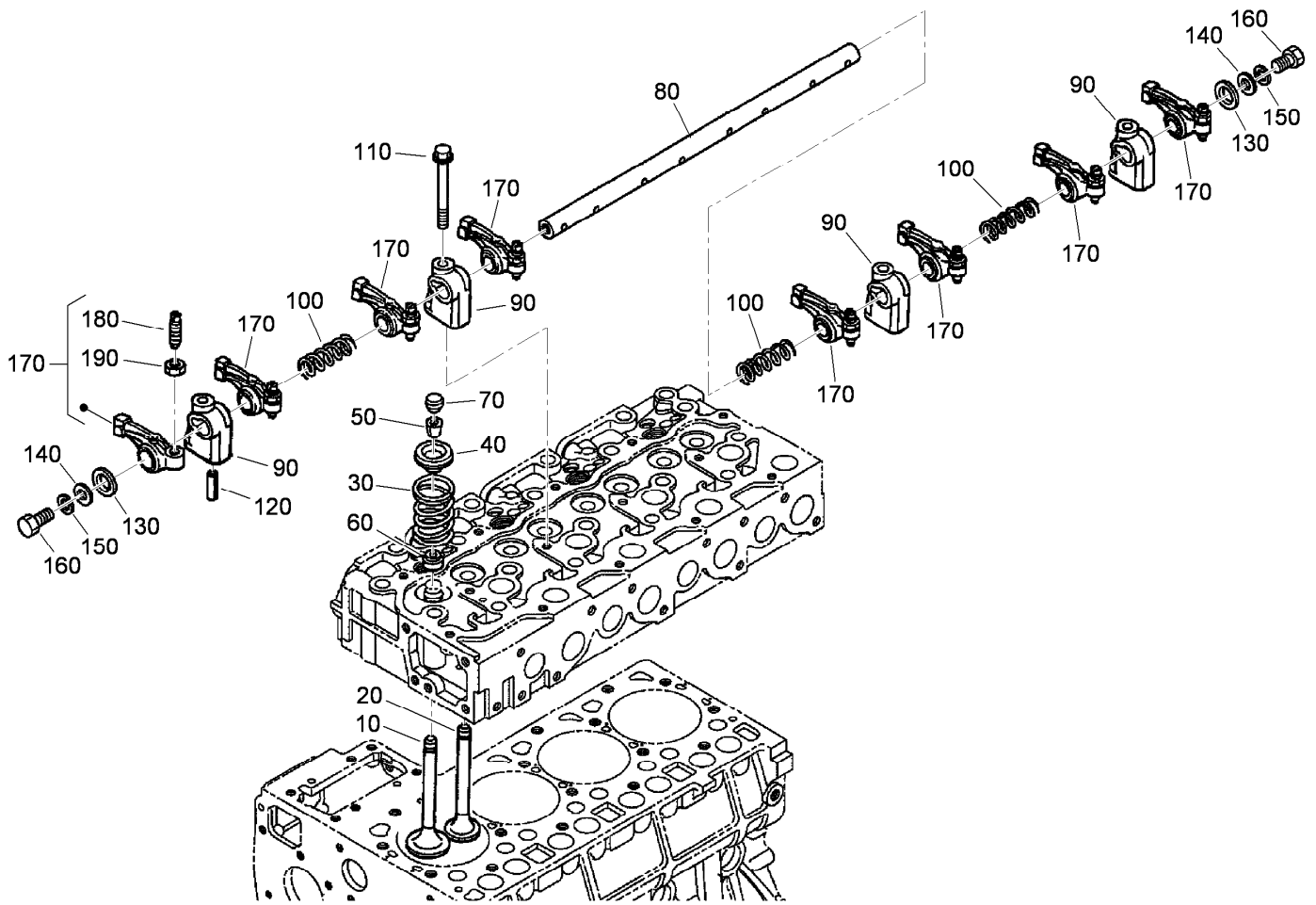
Ref.	Part Number	Qty.	Description
10	105-4578	1	Water Flange ASM
30	110-3821	2	Plug
40	105-2875	2	Bolt-Flange
45	107-0117	1	Bolt-Flange
50	98-7767	1	Gasket-Flange, Water
60	98-9359	2	Bolt
70	100-1558	1	Stud
80	107-0115	1	Bolt
90	98-7534	1	Nut

Ref.	Part Number	Qty.	Description
100	105-2893	1	Washer-Spring
110	115-8620	1	Pipe-Return, Water
120	115-8621	1	Clamp-Hose
130	105-2879	1	Clamp-Hose
140	100-9244	1	Cover-Thermostat
150	105-3748	1	Gasket-Thermostat
160	98-7777	2	Bolt
170	120-5825	1	Thermostat ASM



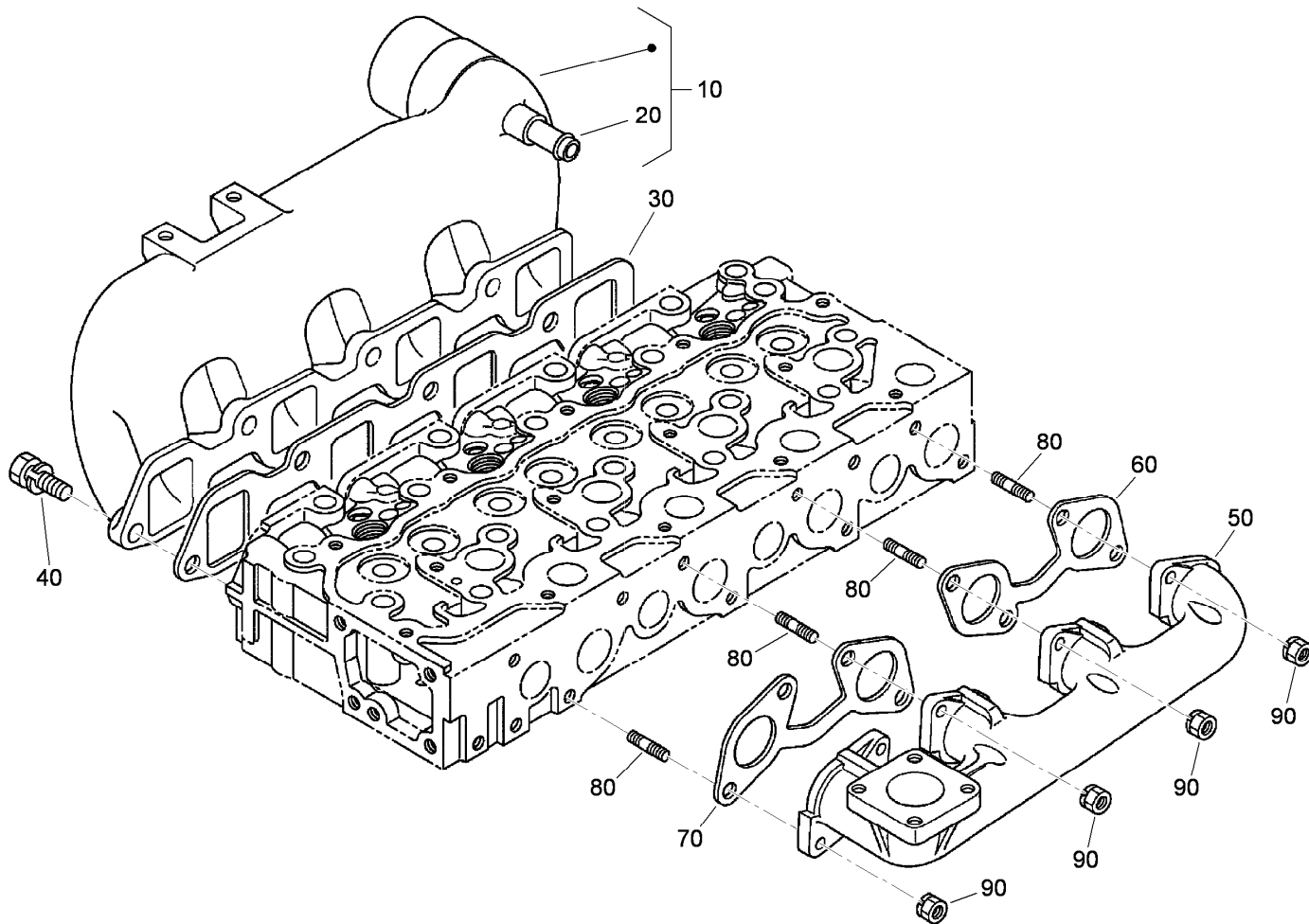
## Water Pump Assembly

<i>Ref.</i>	<i>Part Number</i>	<i>Qty.</i>	<i>Description</i>	<i>Ref.</i>	<i>Part Number</i>	<i>Qty.</i>	<i>Description</i>
10	120-5826	1	Water Pump ASM	100	98-7605	5	Bolt
20	120-5827	1	Body-Pump, Water	110	105-2893	1	Washer-Spring
30	120-5828	1	Bearing	120	98-7534	1	Nut
40	107-0130	1	Impeller-Pump, Water	130	98-7571	1	Stud
50	120-5829	1	Mechanical Seal ASM	140	98-7572	1	Nut
60	108-7089	1	Flange-Shaft, Water Pump	150	98-7699	1	Washer-Spring
70	115-8624	1	Gasket-Pump, Water	160	100-9246	1	Indicator-Timing
80	98-7439	2	Bolt	170	107-4317	4	Bolt-Flange
90	108-7090	1	Stud	180	98-7702	1	Pulley-Fan



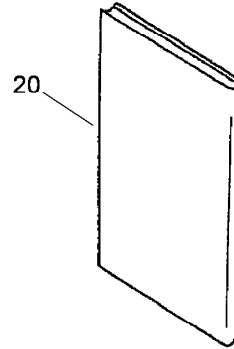
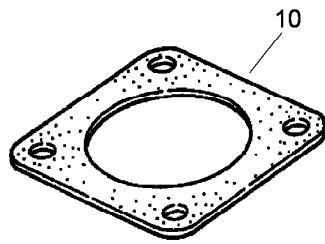
## Valve and Rocker Arm Assembly

<i>Ref.</i>	<i>Part Number</i>	<i>Qty.</i>	<i>Description</i>	<i>Ref.</i>	<i>Part Number</i>	<i>Qty.</i>	<i>Description</i>
10	120-5830	4	Valve-Inlet	110	108-7091	4	Bolt-Flange
20	120-5831	4	Valve-Exhaust	120	98-7805	1	Pin-Spring
30	98-7793	8	Spring-Valve	130	98-7806	2	Washer
40	98-7794	8	Retainer-Spring, Valve	140	98-7660	2	Washer-Plain
50	98-7795	8	Collet-Spring, Valve	150	105-2893	2	Washer-Spring
60	98-7796	8	Seal-Stem, Valve	160	98-7884	2	Bolt
70	98-7797	8	Cap-Valve	170	98-7809	8	Rocker Arm ASM
80	107-0134	1	Shaft-Arm, Rocker	180	98-7810	8	Screw-Adjusting
90	98-7800	4	Bracket-Arm, Rocker	190	98-7811	8	Nut
100	98-7807	3	Spring-Arm, Rocker				



## Inlet and Exhaust Manifold Assembly

<i>Ref.</i>	<i>Part Number</i>	<i>Qty.</i>	<i>Description</i>
10	120-5833	1	Intake Manifold ASM
20	98-7766	1	Pipe-Return, Water
30	120-5834	1	Gasket-Intake Manifold
40	98-7610	7	Bolt
50	120-5835	1	Manifold-Exhaust
60	98-7802	1	Gasket
70	98-7803	1	Gasket
80	100-1558	8	Stud
90	100-9288	8	Nut



## Muffler Gasket and Operator Manual

<i>Ref.</i>	<i>Part Number</i>	<i>Qty.</i>	<i>Description</i>
10	100-9333	1	Gasket-Muffler
20	115-8642	1	Manual-Operator

# Attachments and Accessories

## For 03781 Reelmaster 7000-D 4-Wheel Drive Traction Unit

<b>Product Name</b>	<b>Model/Part</b>
27in Verticutter.....	03184
27in 8-Blade Cutting Unit.....	03710
27in 11-Blade Cutting Unit.....	03711
32in 8-Blade Cutting Unit.....	03712
Premium All Season Hydraulic Fluid (55 Gallon Drum).....	108-1177
Premium All Season Hydraulic Fluid (5 Gallon Pail).....	108-1178
Premium All Purpose Grease (Tube).....	108-1190
Gauge Bar Assembly.....	108-6715
Operator Fan Kit - US Sales Only, 3in ROPS Post.....	110-8804
Premium Synthetic Bio-Degradable Hydraulic Fluid (5 Gallon Pail).....	119-2157
Premium Synthetic Bio-Degradable Hydraulic Fluid (55 Gallon Drum).....	119-2158
Brush and Handle Kit.....	29-9100
MVP Filter Kit.....	30056
Hardtop Sunshade.....	30359
Flow Divider Kit.....	30876



**Count on it.**