



Count on it.

Parts Catalog

Workman® MDE Utility Vehicle

Model No. 07299—Serial No. 313000501 and Up



Ordering Replacement Parts

To order replacement parts, please supply the part number, the quantity, and the description of each part desired.

Understanding Reference Numbers

Each identified part in an illustration has a reference number. The reference number for a part also appears in the parts list, along with other information about the part.

This catalog uses two special reference number formats, one to indicate parts in a service assembly and another to indicate the quantity of a given part in an illustration.

Service Assembly Reference Numbers

Parts in service assemblies have reference numbers in the form a:b. The a represents the reference number of the entire service assembly and the b represents a sequential number unique to each part within the service assembly.

For example, a wheel assembly might be identified by reference number 6, the tire by 6:1, the valve by 6:2, and the wheel by 6:3. When you order the assembly identified by reference number 6, you receive all parts identified by reference numbers 6:1, 6:2, and 6:3. However, you may also order any part individually. Reference numbers of this type appear in illustration and in parts lists.

Reference Numbers Indicating Quantity

In an illustration, if a reference number indicates more than one part, the reference number has the form nX y. The n represents the quantity of the part, the X is the multiplication symbol, and the y represents the reference number.

For example, in an illustration, the reference number 2X 37 means that two of the parts identified by reference number 37 are indicated.

List of Abbreviations

AR: as required

ASM: assembly

BBC: blade brake control

BHTF: button head thread forming

CARR: carriage

CCW: counter clockwise

CW: clockwise

DEG: degrees

DPA: Dual Point Adjustment

ECM: electronic control module

EXT: external

FH: flat head

GA: gauge

HD: heavy-duty

HF: hex flange

HH: hex head

HHF: hex head flange

HHFTF: hex head flange thread forming

HJ: hex jam

HLH: hex lag head

HOC: height-of-cut

HP: high pressure

HSBH: hex socket button head

HSFH: hex socket flat head

HSH: hex socket head

HWH: hex washer head

HWHTF: hex washer head thread forming

HYD: hydraulic

LH: left hand

LP: low pressure

LPG: Liquefied Petroleum Gas

NI: nylon insert

NPTF: national pipe thread fine

PFH: phillips flat head

PPH: phillips pan head

PPHTF: phillips pan head thread forming

PRH: phillips round head

PTH: phillips truss head

PTO: power-take-off

RH: right hand

ROPS: roll-over protection system

RRB: rear roller brush

SFH: slotted fillister head

SHH: slotted hex head

SHWH: slotted hex washer head

SPH: slotted pan head

SQH: square head

SRH: slotted round head

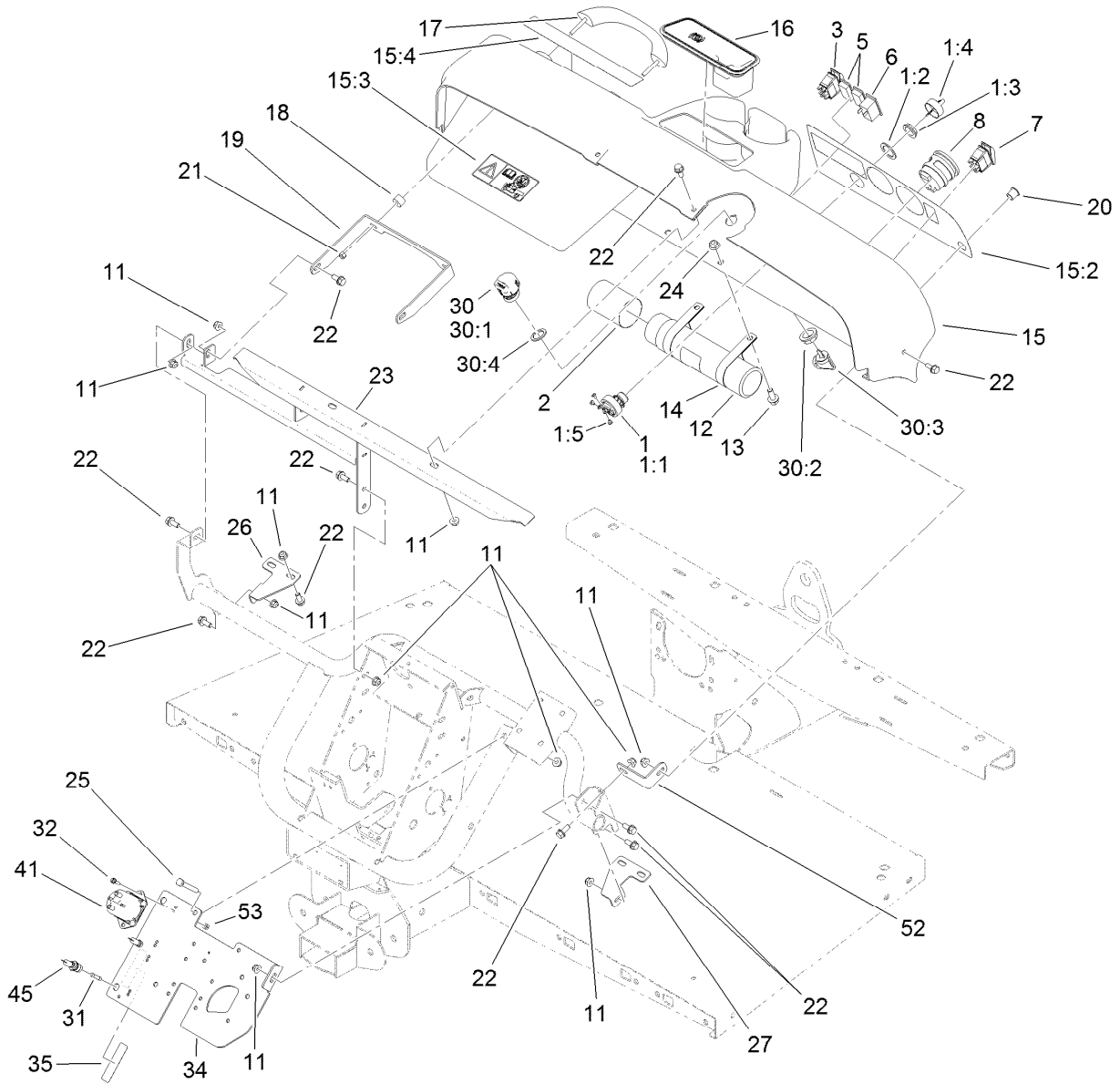
STD: standard

TAP: self tapping

TTH: torx truss head

Contents

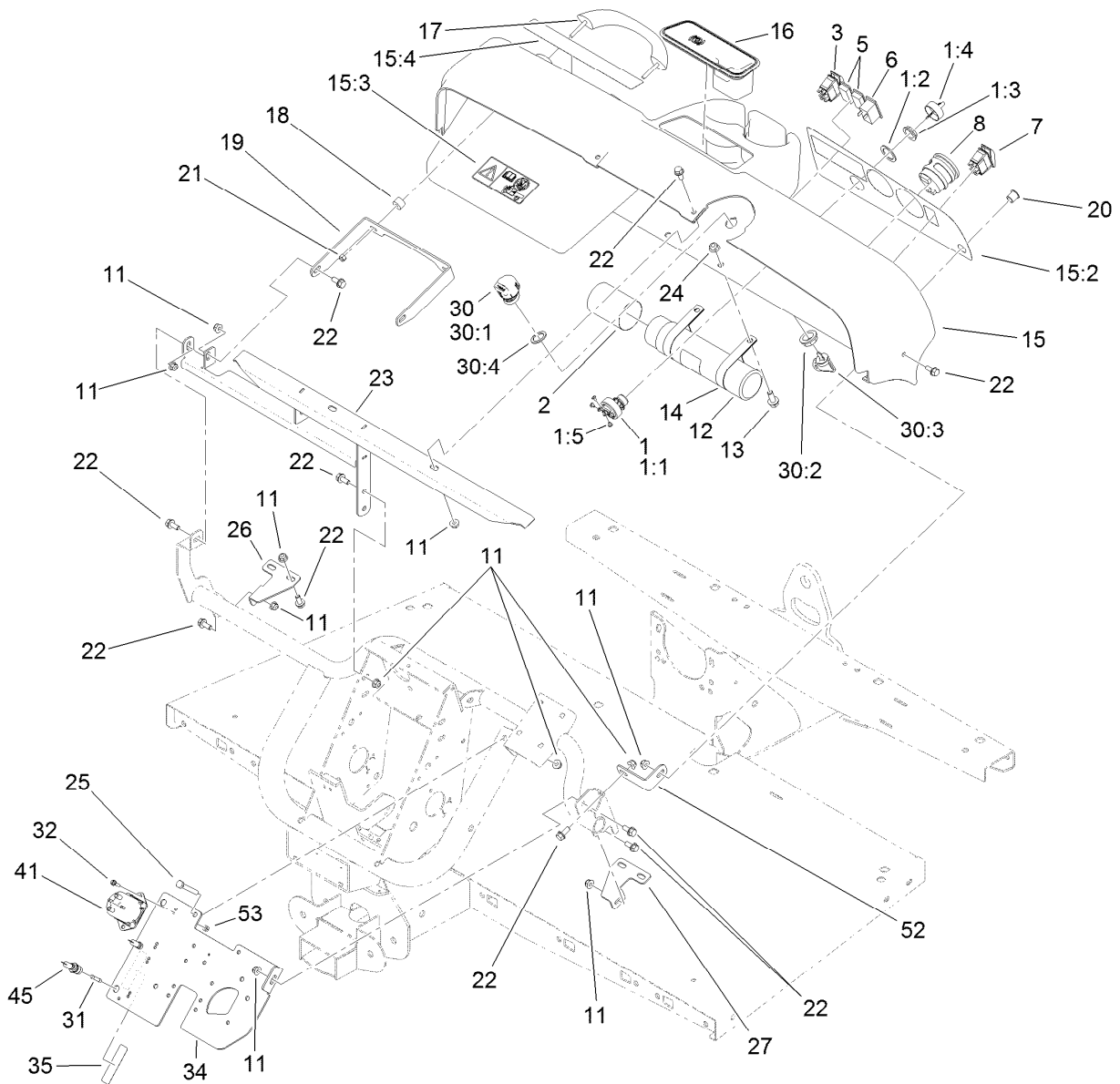
Dash Assembly	4
Solenoid Assembly No. 104-7135	6
Pedal Box Assembly	7
Master Cylinder and Brake Line Assembly	8
Master Cylinder Assembly No. 104-6782	9
Frame Assembly	10
Seat Base Assembly	11
Offboard 48 Volt Charger Assembly No. 112-3072	12
Front Tire, Spindle and Tie Rod Assembly	13
Brake Caliper Assembly No. 119-9535	15
Controller Assembly	16
Battery and Transaxle Assembly	17
Electric Motor Assembly No. 104-7335	18
Electric Transaxle Assembly No. 114-8330	19
LH Rear Brake Assembly No. 114-8332	21
RH Rear Brake Assembly No. 114-8331	22
Upper Steering Assembly	23
Steering Box Assembly No. 112-3130	24
Cargo Bed Installation Assembly	25
Cargo Bed Service Assembly No. 121-9810	26
Cargo Bed and Tailgate Assembly	27
Hood and Fender Assembly	28
Attachments and Accessories	29



Dash Assembly

Ref.	Part Number	Qty.	Description	Ref.	Part Number	Qty.	Description
1	120-4815	1	Switch-Key, 48V	15:2	112-3310	1	Decal-Dash, Ce
1:1		1	Switch-Key ●	15:3	104-7215	1	Decal-Danger
1:2	108-8659	1	Washer-Backup	15:4	115-2412	1	Decal-No Storage
1:3	108-8660	1	Nut-Mounting	16	104-6930	1	Plug-Rubber
1:4	106-5270	1	Ignition Key Set	17	112-3320	1	Handle-Grip
1:5	3250-28	3	Screw	18	114-8301	2	Spacer
2	104-7048	1	Cap-Housing	19	112-3391-03	1	Bracket-Grip, Handle
3	107-0255	1	Switch	20	94-5627	1	Plug
5	99-7420	2	Plug-Hole	21	104-7201	2	Nut-HF
6	104-7129	1	Light-Indicator	22	110-5053	16	Screw-HHF
7	107-0747	1	Switch-Rocker	23	115-7651-03	1	Support-Dash
8	107-0260	1	Gauge-Hour/Battery Level, 48 Volt	24	104-8301	2	Nut-Flange, NI
11	104-8300	18	Nut-Flange, NI	25	322-11	2	Screw-HH
12	104-7050	1	Tube-Manual	26	114-8304	1	Bracket-Mount, Dash (RH)
13	3234-11	2	Screw-HHF	27	114-8312	1	Bracket-Mount, Dash (LH)
14	2412-133	2	R-Clamp	30	110-2580	1	Switch-Key, Supervisor
15	114-8311	1	Dash ASM	30:1		1	Switch-Key ●
				30:2	108-8660	1	Nut-Mounting

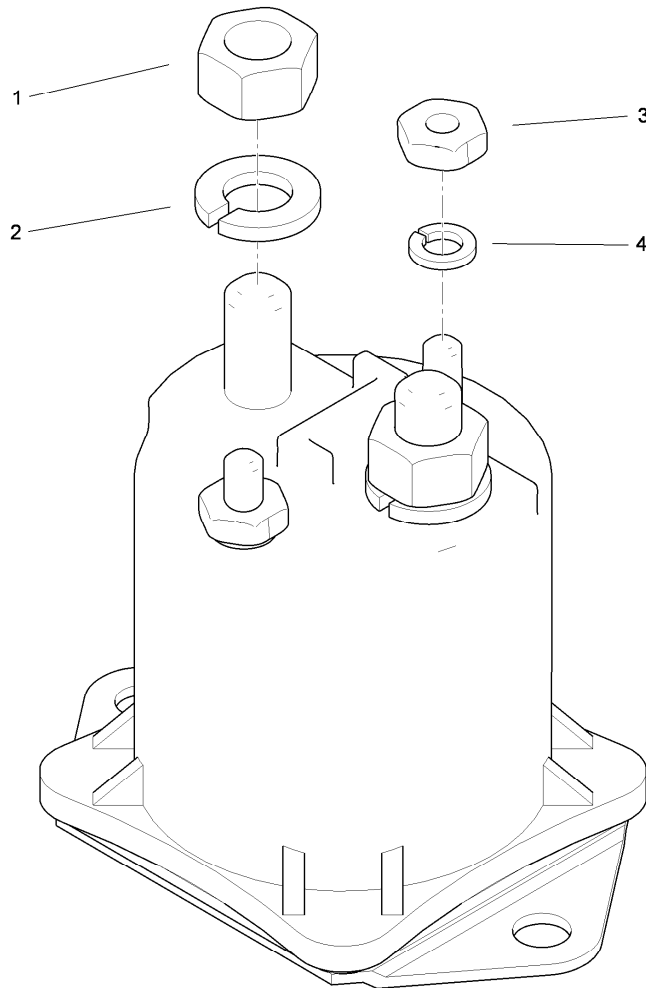
● Not serviced separately



Dash Assembly (continued)

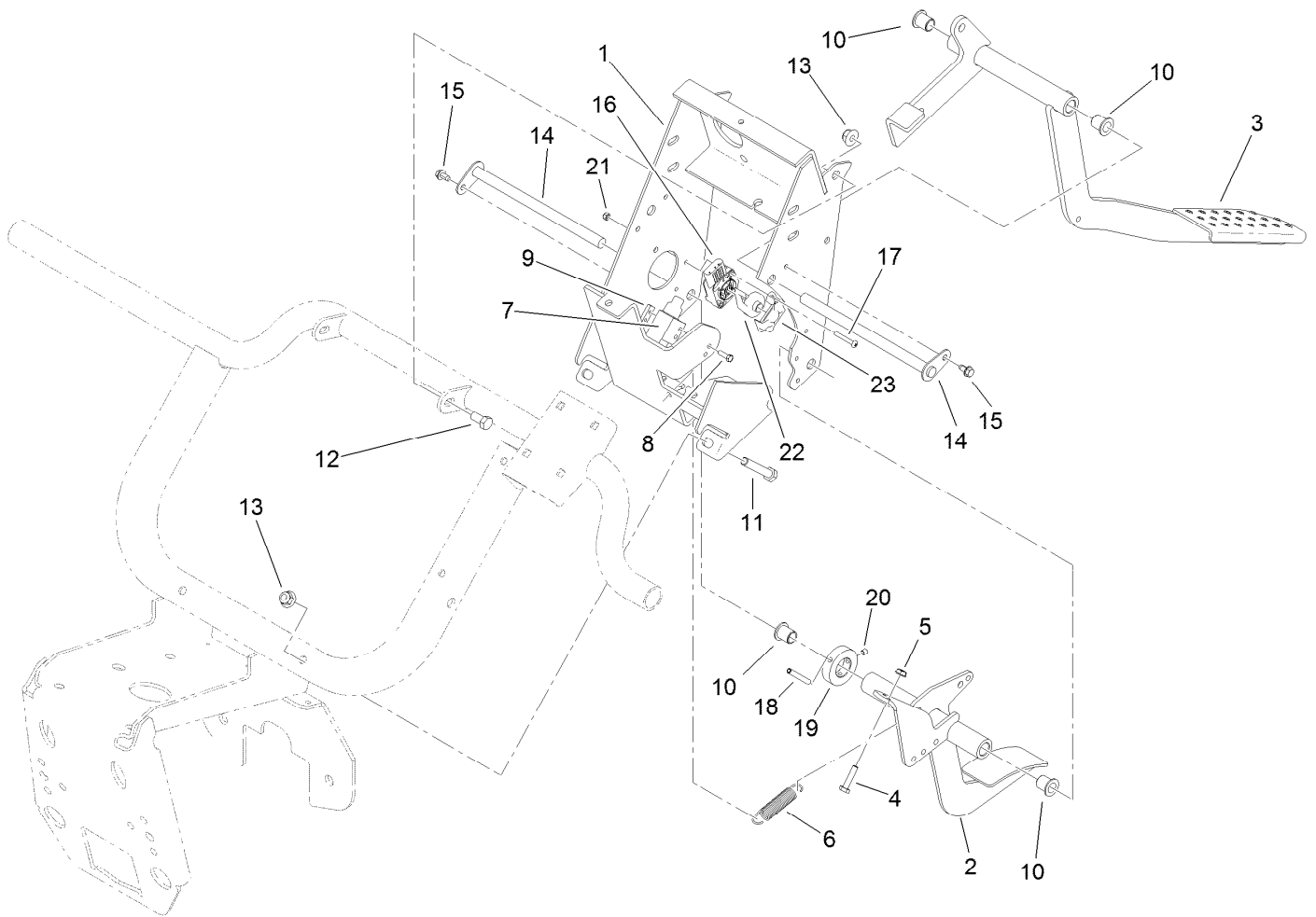
<i>Ref.</i>	<i>Part Number</i>	<i>Qty.</i>	<i>Description</i>	<i>Ref.</i>	<i>Part Number</i>	<i>Qty.</i>	<i>Description</i>
30:3	110-5221	1	Set-Key, Supervisor	35	115-7621	1	Decal-Electrical
30:4	108-8659	1	Washer-Backup	41	104-7135	1	Solenoid ASM
31	98-8876	2	Fuse-10 Amp	45	218-489	2	Holder-Fuse
32	32105-13	2	Screw-HWH	52	114-8305	1	Angle-Mount, Dash (LH)
34	112-3376-03	1	Plate-Mount, Electrical	53	3296-2	2	Nut-Lock, NI

● Not serviced separately



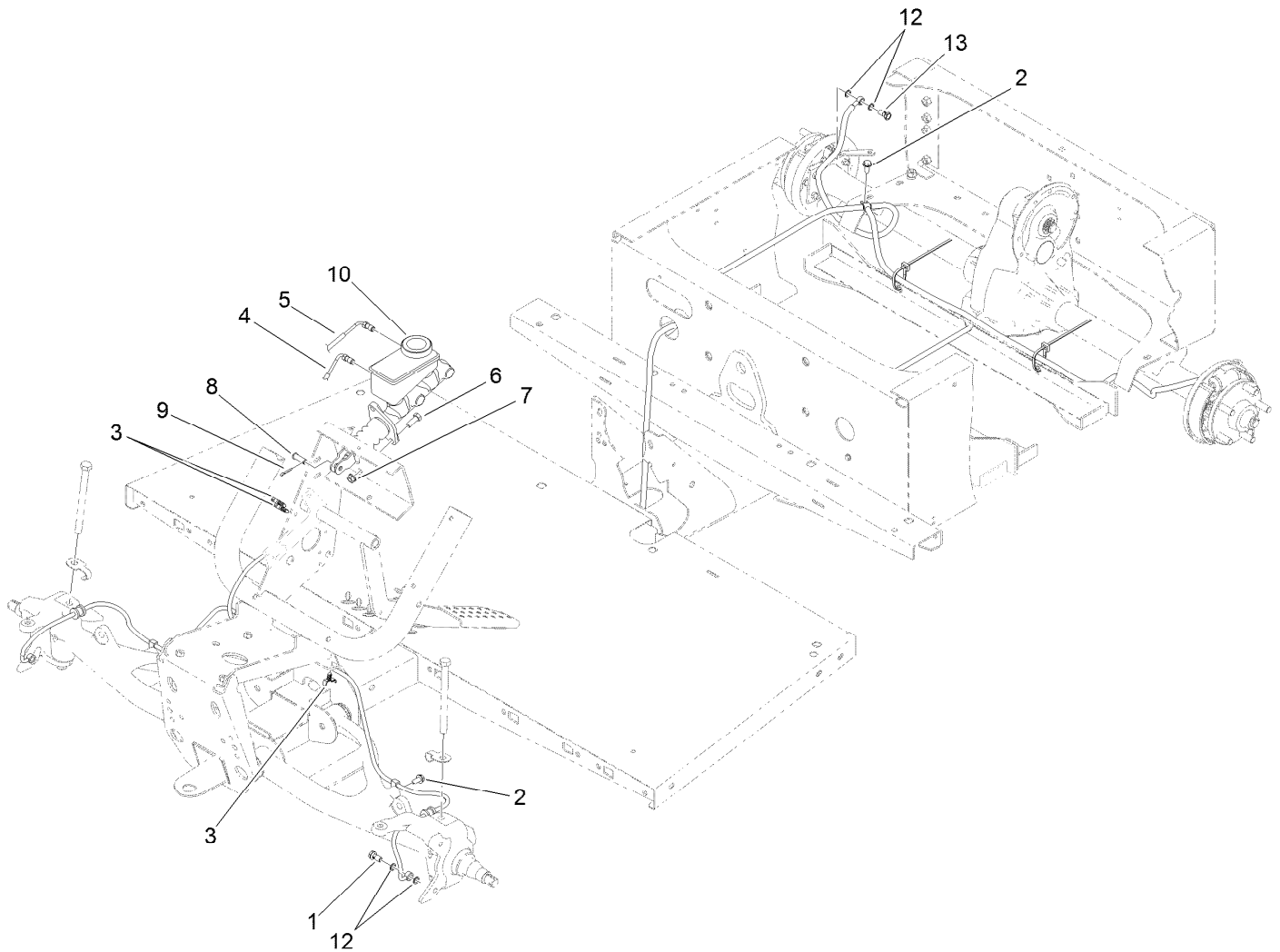
Solenoid Assembly No. 104-7135

<i>Ref.</i>	<i>Part Number</i>	<i>Qty.</i>	<i>Description</i>
1	3217-6	2	Nut-Hex
2	3253-4	2	Washer-Lock
3	3219-14	2	Nut-Hex
4	3253-17	2	Washer-Lock



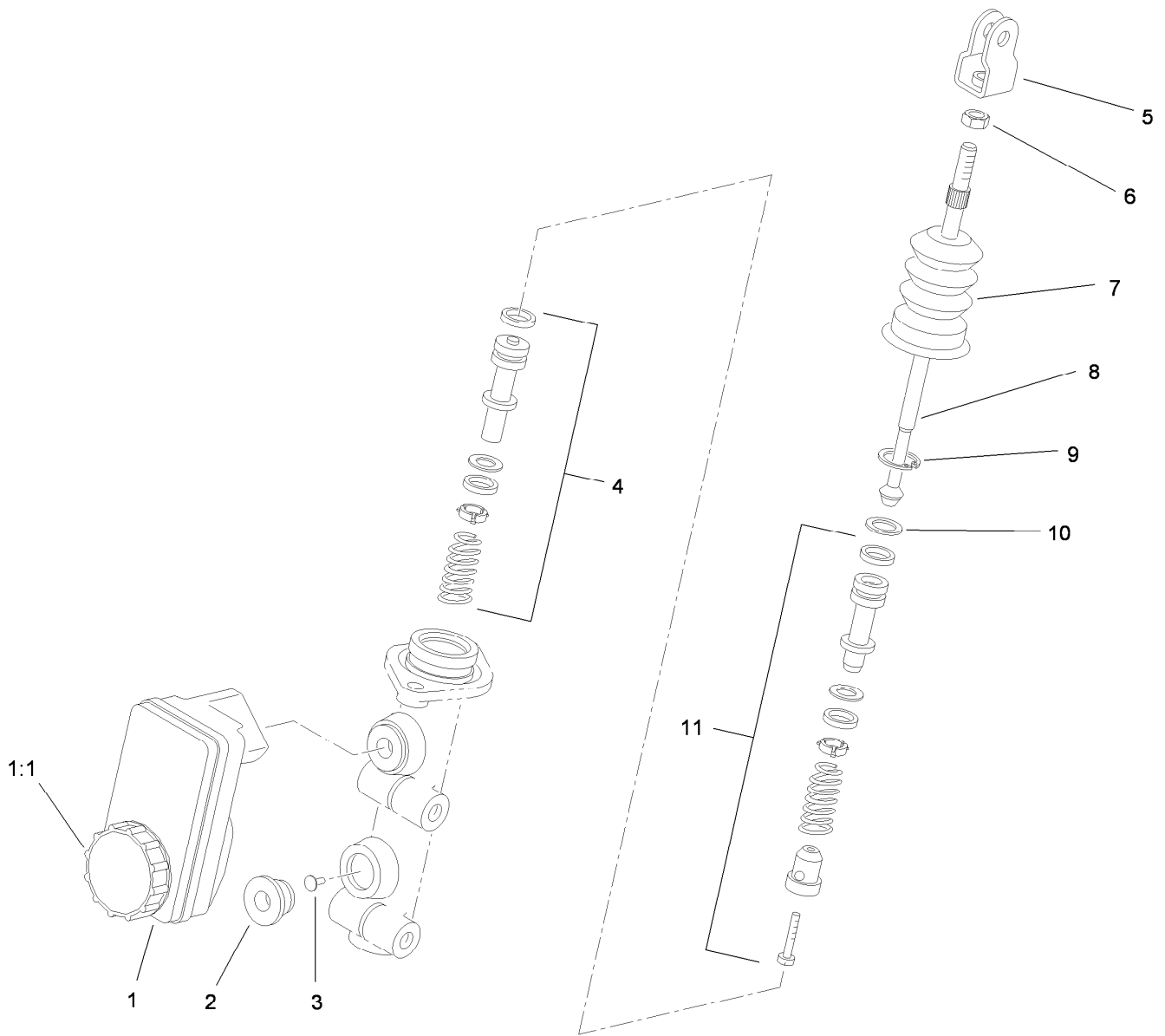
Pedal Box Assembly

<i>Ref.</i>	<i>Part Number</i>	<i>Qty.</i>	<i>Description</i>	<i>Ref.</i>	<i>Part Number</i>	<i>Qty.</i>	<i>Description</i>
1	119-0748-03	1	Support-Pedal	13	104-8301	4	Nut-Flange, NI
2	119-9747-03	1	Pedal-Throttle	14	104-7164	2	Pivot-Pedal
3	112-3314-03	1	Pedal-Brake	15	12-3270	2	Screw
4	321-7	2	Screw-HH	16	119-0737	1	Sensor-Position
5	32149-2	2	Nut-Keps	17	104-1452	2	Screw-PPH
6	104-6415	1	Spring-Return, Pedal	18	117-5071	1	Pin-Roll
7	99-7407	1	Switch	19	104-7301	1	Collar
8	3290-134	2	Screw	20	3245-32	2	Screw-HSH
9	1-633181	1	Plate-Tapped	21	3296-2	2	Nut-Lock, NI
10	256-155	4	Bushing-Flange	22	117-5059	1	Pivot-Sensor, Speed
11	323-11	2	Screw-HH	23	117-5061	1	Retainer
12	323-4	2	Screw-HH				



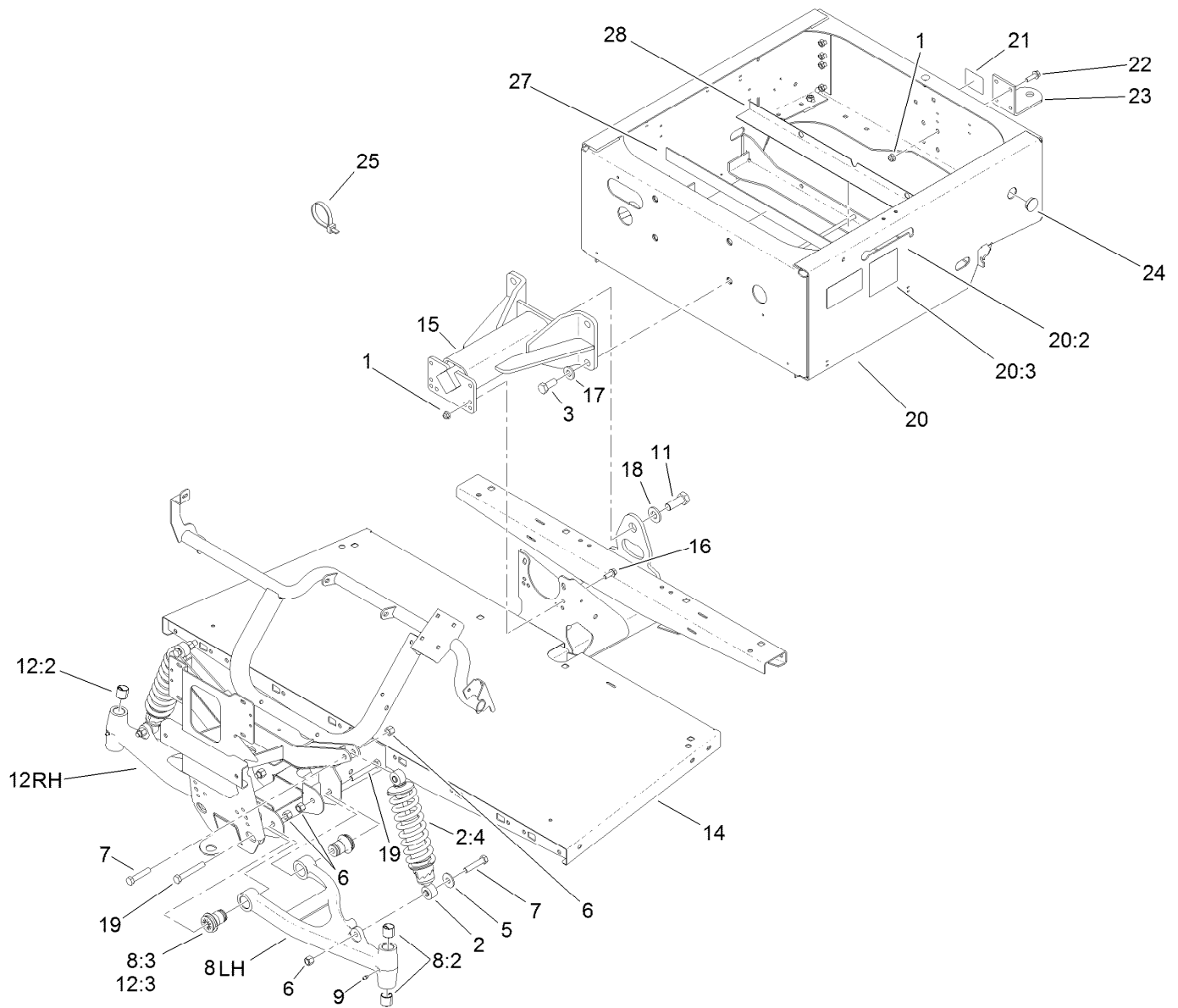
Master Cylinder and Brake Line Assembly

<i>Ref.</i>	<i>Part Number</i>	<i>Qty.</i>	<i>Description</i>
1	120-4875	2	Bolt-Flange, Banjo
2	32104-32	3	Screw-HWH
3	114-8324	4	Clip-Line, Brake
4	119-9683	1	Front Brake Line ASM
5	115-2409	1	Rear Brake Line ASM
6	323-6	2	Screw-HH
7	3290-357	2	Nut-HHF, Whiz
8	283-2	1	Pin-Clevis
9	3272-10	1	Pin-Cotter
10	104-6782	1	Master Cylinder ASM
12	115-2341	8	Washer-Banjo
13	115-2340	2	Bolt-Banjo



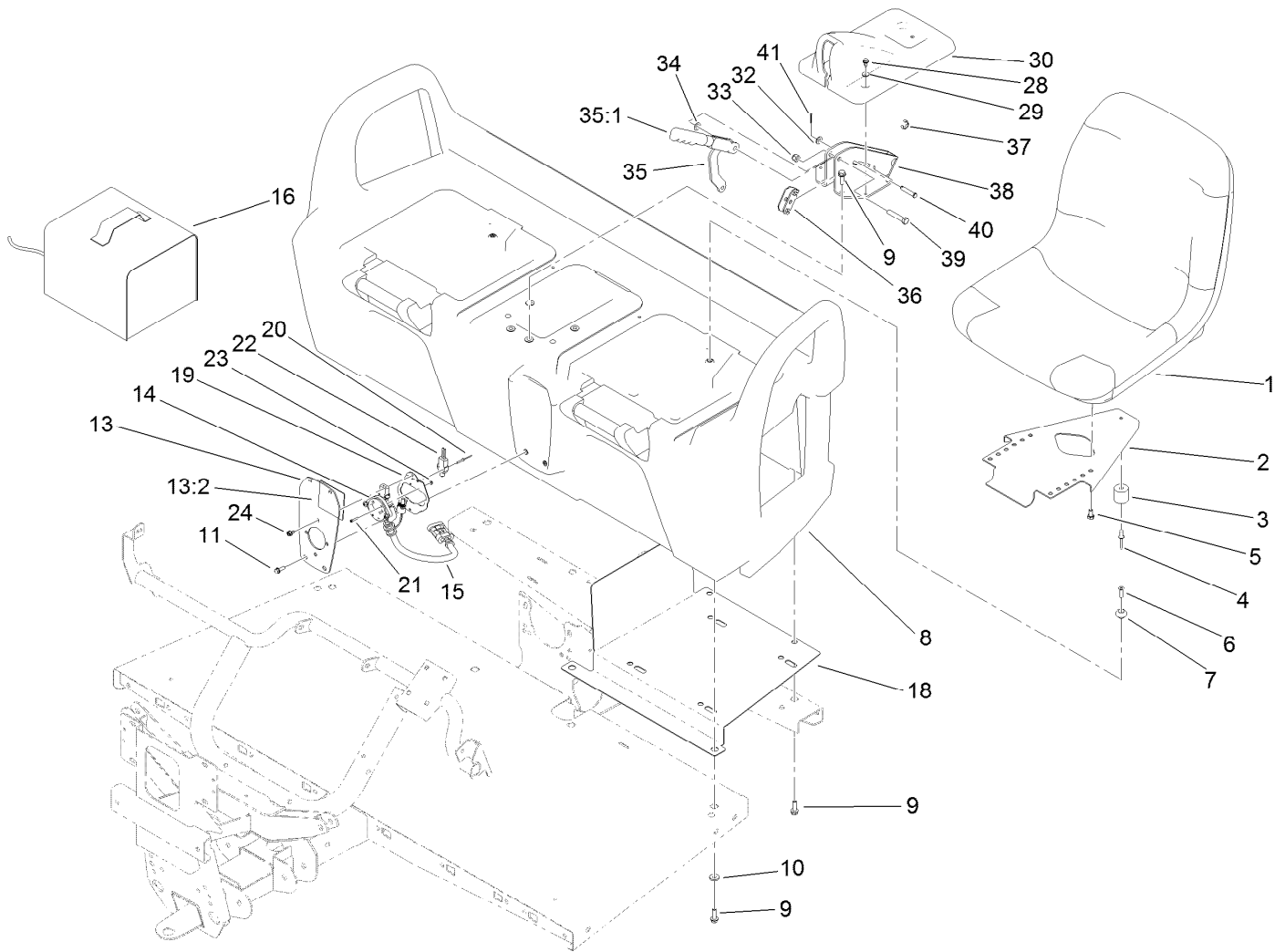
Master Cylinder Assembly No. 104-6782

Ref.	Part Number	Qty.	Description
1	104-6845	1	Reservoir ASM
1:1	92-4112	1	Cap ASM
2	93-8971	2	Seal-Port, Flange
3	92-4103	1	Pin-Stop
4	92-4102	1	Secondary Piston ASM
5	92-4110	1	Clevis
6	21-0360	1	Nut-Hex
7	94-5209	1	Cover-Dust
8	94-5210	1	Rod-Push
9	92-4109	1	Ring-Snap
10	92-4108	1	Retainer-Washer
11	92-4101	1	Primary Piston ASM



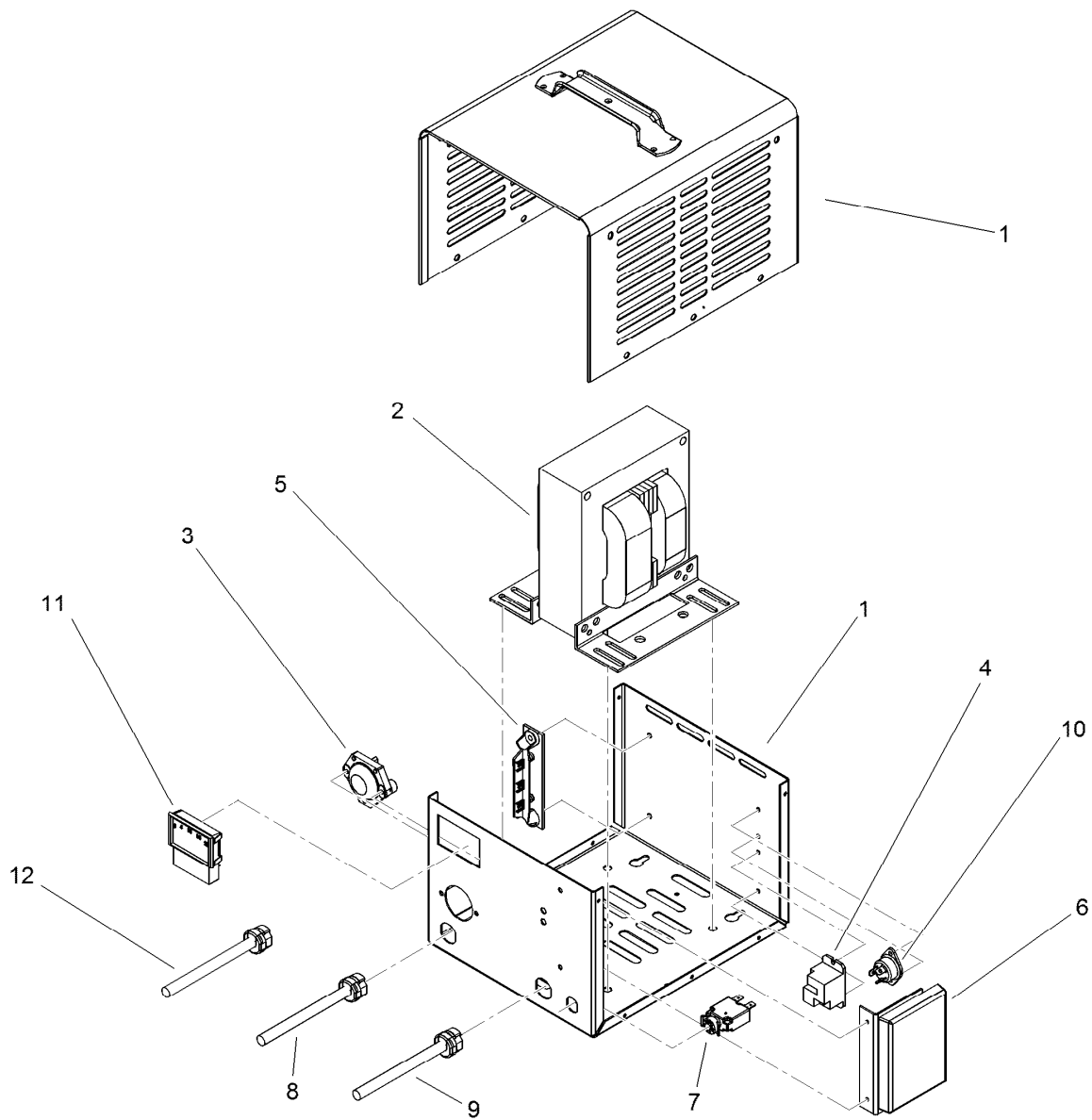
Frame Assembly

Ref.	Part Number	Qty.	Description	Ref.	Part Number	Qty.	Description
1	104-8301	8	Nut-Flange, NI	15	99-7700	1	Pivot Yoke ASM
2	112-2975	2	Shock/Spring ASM	16	3234-11	4	Screw-HHF
2:4	112-3383	1	Spring	17	99-7667	4	Washer-Flat
3	327-4	4	Screw-HH	18	87-3060	1	Washer-Hardened
5	51-3500	2	Washer	19	325-14	4	Screw-HH
6	3296-23	8	Nut-Lock, NI	20	119-9631	1	Rear Frame ASM
7	325-10	4	Screw-HH	20:2	104-7207	2	Decal-Electric
8	114-8313	1	LH A-Arm ASM	20:3	107-0257	1	Decal-Polarity
8:2	125-5196	2	Bushing	21	99-7350	1	Decal-Rating, Hitch (Light Duty)
8:3	87-1450	2	Bushing-Flange	22	3234-24	4	Screw-HHF
9	302-5	2	Fitting-Grease	23	99-7654-03	1	Hitch-Duty, Light
11	328-24	1	Screw-HH	24	94-1402	1	Plug-Hole
12	114-8314	1	RH A-Arm ASM	25	3290-379	15	Tie-Cable
12:2	125-5196	2	Bushing	27	107-0252	1	Pad-Battery
12:3	87-1450	2	Bushing-Flange	28	107-0267	4	Isolator-Battery
14	112-3340-03	1	Frame-Front				



Seat Base Assembly

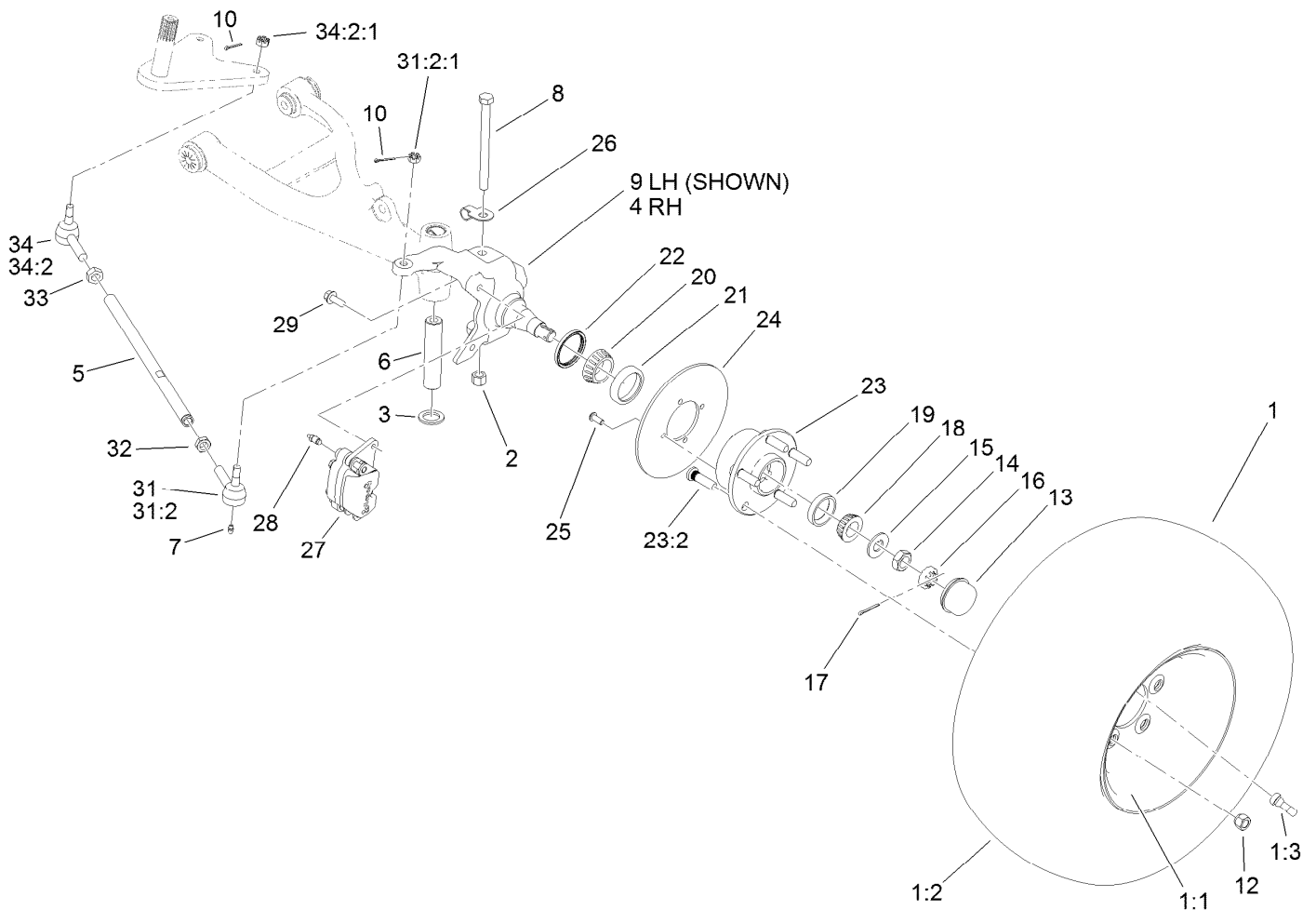
Ref.	Part Number	Qty.	Description	Ref.	Part Number	Qty.	Description
1	112-2923	2	Seat ASM	20	107-0333	2	Rivet-Pop
2	99-7829	2	Bracket-Seat	21	107-0334	2	Screw-HSH
3	99-7830	2	Rubber Receptical ASM	22	99-3410	1	Switch
4	3290-412	2	Rivet	23	3296-9	2	Nut-Lock
5	33114-016	8	Screw-HH	24	32104-17	4	Screw-HWH
6	32108-5	2	Screw-FH	28	12-3270	2	Screw
7	99-7833	2	Post-Holding	29	3256-1	2	Washer-Flat
8	104-6847	1	Seat Base ASM	30	104-7014	1	Cover-Brake, Parking
9	3234-17	12	Screw-HHF	32	3256-23	1	Washer-Flat
10	88-7200	8	Washer-Flat	33	3296-39	1	Nut-Lock, NI
11	32105-15	4	Screw-HWH	34	3290-477	1	Washer-Curved
13	107-0370	1	Plate-Receptacle	35	104-6842	1	Lever-Brake, Park
13:2	107-0295	1	Decal-Charger	35:1	106-7972	1	Grip-Handle
14	107-0288	1	Receptacle-Charger	36	87-3480	1	Bracket-Equalizer, Cable
15	115-1913	1	Harness-Wire, Charger	37	32120-47	2	Ring-Retaining, External
16	112-3072	1	Charger-48V T145, Offboard	38	104-6844-03	1	Support-Brake, Park
18	107-0359-03	1	Tray-Seatbase	39	323-10	1	Screw-HH
19	107-0716	1	Bracket-Mount, Socket	40	94-3829	1	Pin-Clevis
				41	3272-6	1	Pin-Cotter



Offboard 48 Volt Charger Assembly No. 112-3072

Ref.	Part Number	Qty.	Description
1		1	Case ASM ●
2		1	Transformer ASM ●
3	108-1161	1	Fuse ASM
4	108-1162	1	Relay-48V, Dc
5	108-1163	1	Diode ASM
6	112-3073	1	Control Board ASM
7	110-2579	1	Breaker-Circuit
8	108-1166	1	Kit-Cordset, 8.5 Foot (Dc)
9	108-1167	1	Kit-Cordset, 72 Inch (Ac) Us
10	108-1168	1	Terminal And Screw ASM
11	108-1169	1	Ammeter
12	108-3071	1	Kit-Cordset, 20 Foot (Dc)

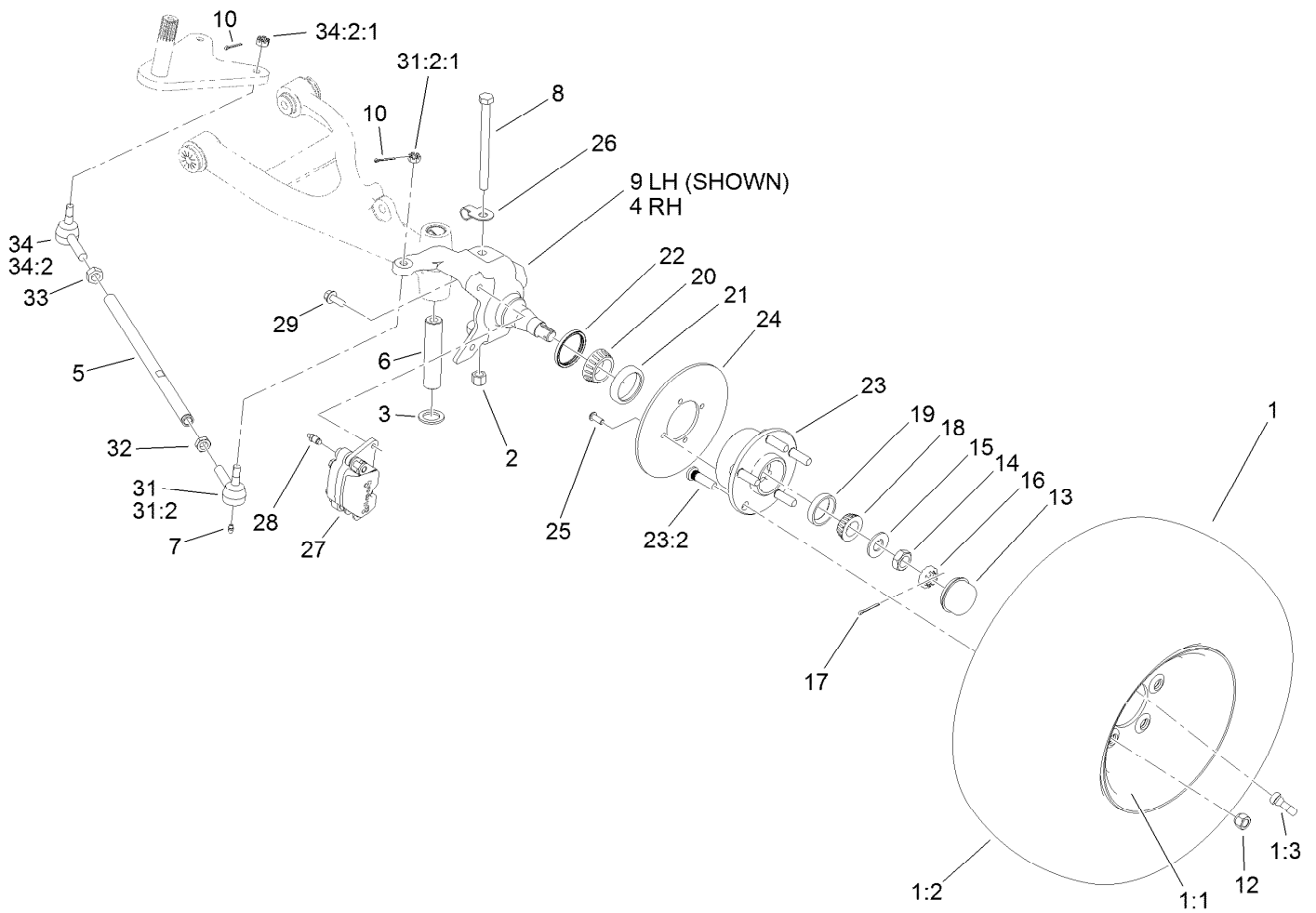
● Not serviced separately



Front Tire, Spindle and Tie Rod Assembly

Ref.	Part Number	Qty.	Description	Ref.	Part Number	Qty.	Description
1	120-5025	2	Tire And Wheel ASM	17	3272-12	2	Pin-Cotter
1:1	120-4974	1	Wheel	18	254-94	2	Bearing-Cone, Tapered
1:2	104-7289	1	Tire	19	254-72	2	Bearing-Cup, Tapered
1:3	232-27	1	Stem-Valve	20	254-106	2	Cone-Bearing, Tapered
2	3296-23	2	Nut-Lock, NI	21	254-107	2	Cup-Bearing, Tapered
3	256-115	2	Washer-Thrust	22	108-7019	2	Seal-Shaft
4	119-9522	1	Spindle-RH	23	117-8071	2	Hub ASM
5	115-7654	2	Tie Rod	23:2	10-6830	5	Stud-Type, Drive
6	99-7499	2	Sleeve-Kingpin	24	119-9520	2	Rotor
7	302-5	4	Fitting-Grease	25	121-9671	8	Screw-HSBH
8	325-20	2	Screw-HH	26	112-3311	2	Clip-Hose
9	119-9521	1	Spindle-LH	27	119-9535	2	Brake Caliper ASM
10	3272-7	4	Pin-Cotter	28	119-9509	2	Screw-Bleed
12	242-50	10	Nut-Lug	29	3234-11	4	Screw-HHF
13	241-119	2	Cap-Dust	31	112771-03	2	Joint-Ball, LH
14	3220-7	2	Nut-Jam	31:2		1	Socket-Balljoint ●
15	93-0309	2	Washer-Tab	31:2:1	915031	1	Nut
16	93-0307	2	Nut-Lock, Retainer	32	3218-21	2	Nut-Jam

● Not serviced separately

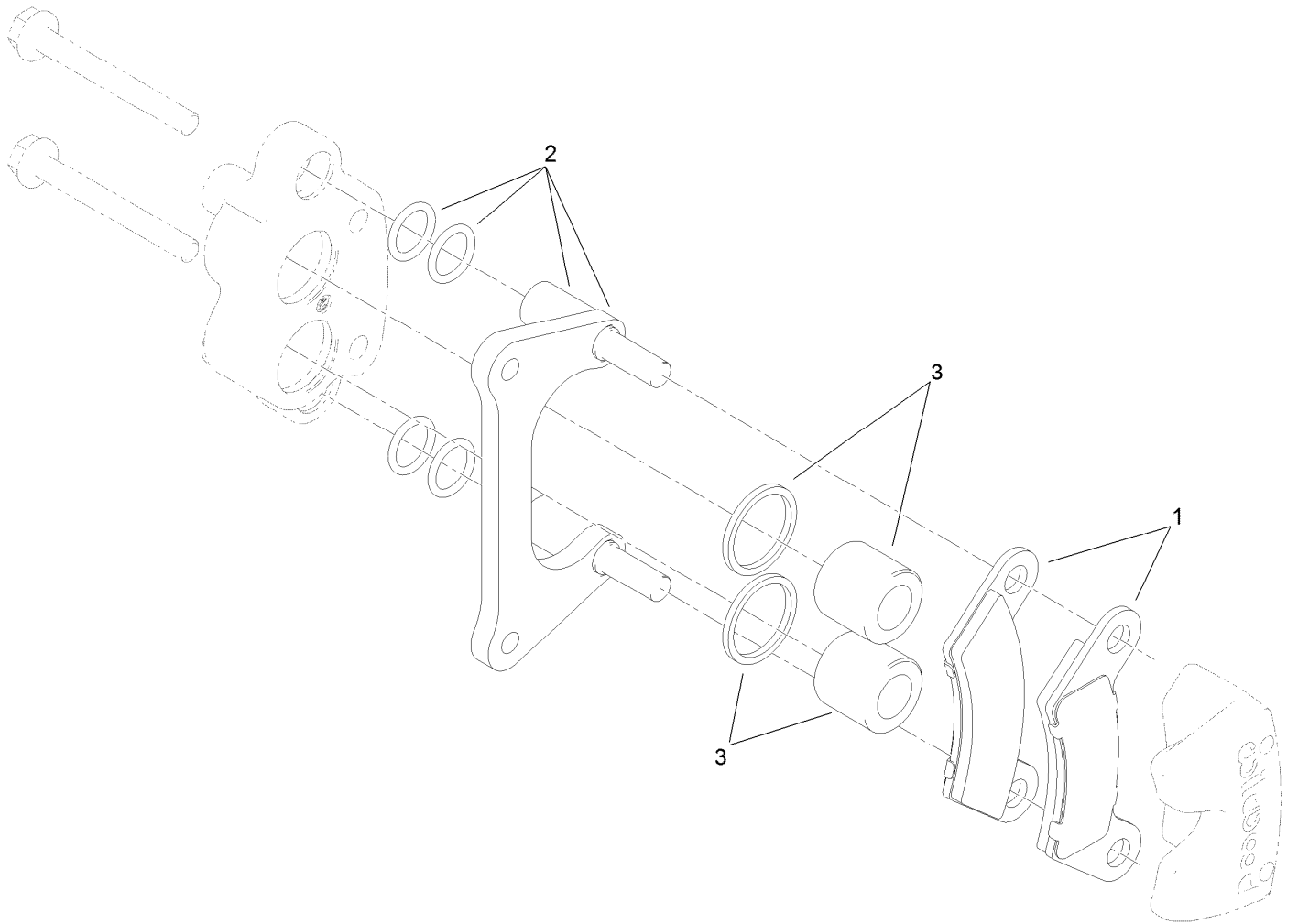


Front Tire, Spindle and Tie Rod Assembly (continued)

Ref.	Part Number	Qty.	Description
33	3220-11	2	Nut-Jam
34	112772-03	2	Joint-Ball, RH

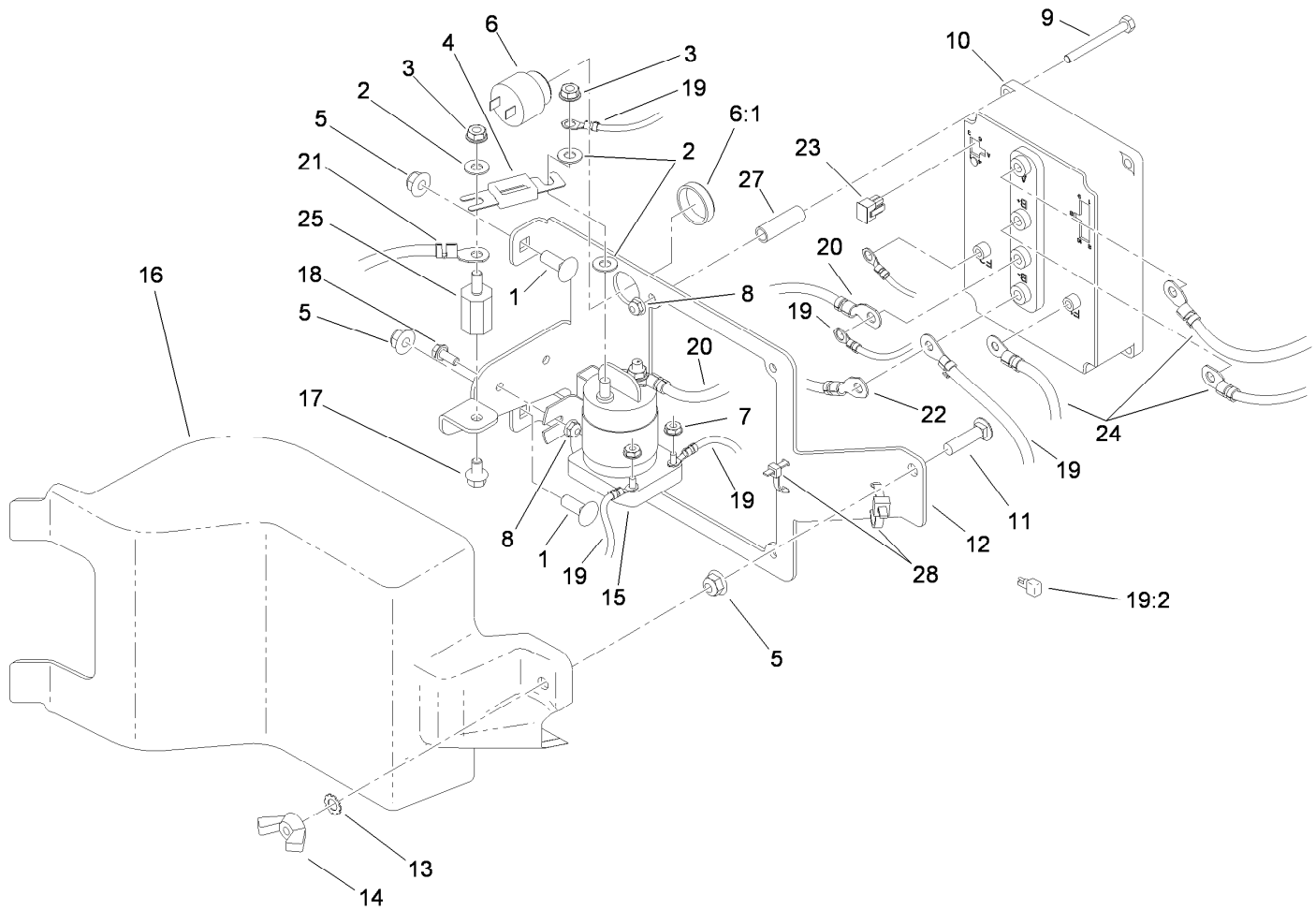
Ref.	Part Number	Qty.	Description
34:2		1	Socket-Balljoint ●
34:2:1	915031	1	Nut

● Not serviced separately



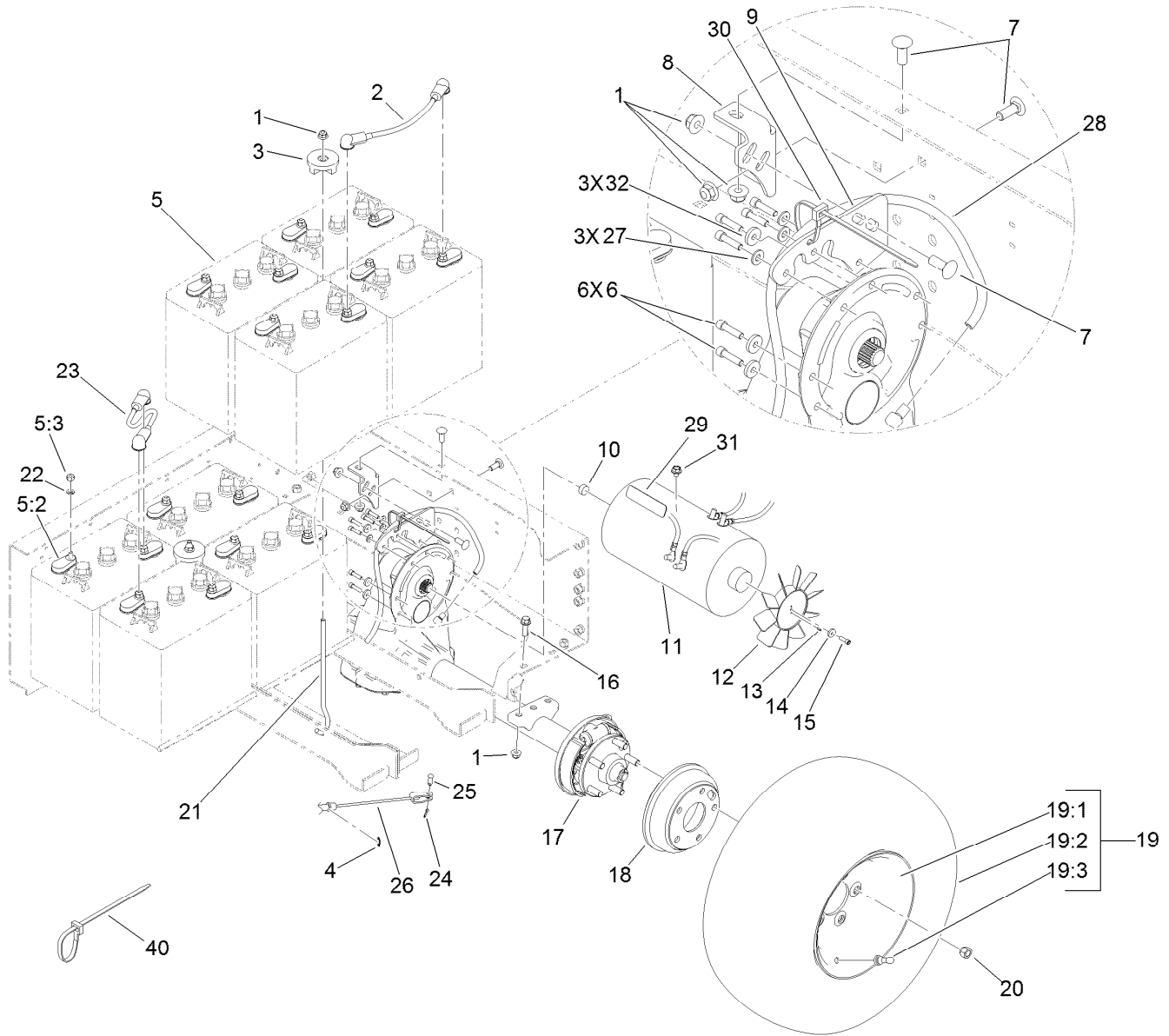
Brake Caliper Assembly No. 119-9535

<i>Ref.</i>	<i>Part Number</i>	<i>Qty.</i>	<i>Description</i>
1	119-9510	1	Pads-Brake
2	119-9511	1	Bracket Kit
3	119-9512	1	Piston Kit



Controller Assembly

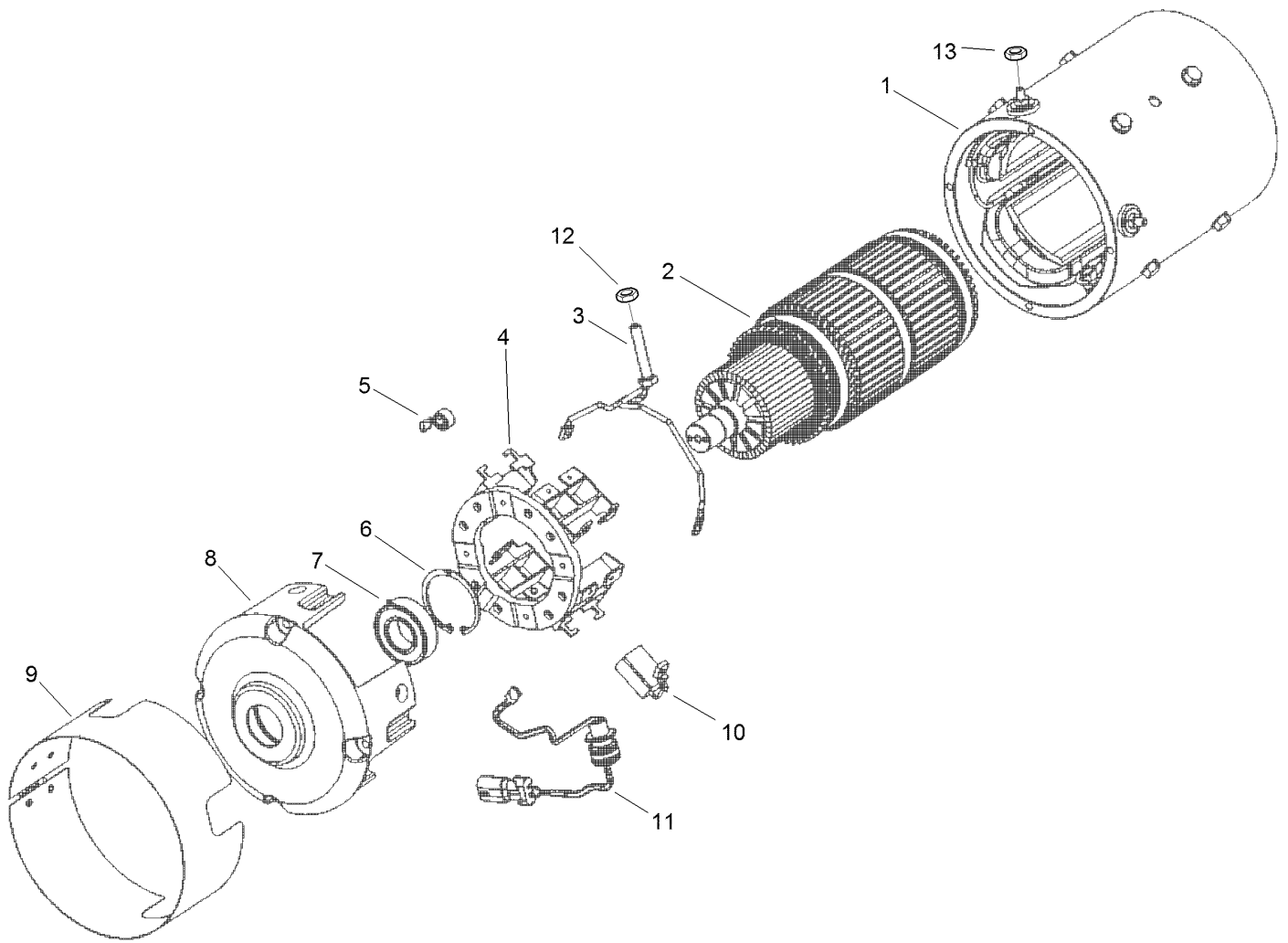
<i>Ref.</i>	<i>Part Number</i>	<i>Qty.</i>	<i>Description</i>	<i>Ref.</i>	<i>Part Number</i>	<i>Qty.</i>	<i>Description</i>
1	3231-22	2	Screw-CARR	16	104-7138	1	Cover-Controller
2	107-0394	3	Washer-Flat	17	100-1719	1	Screw-Flange
3	107-0380	3	Nut-HHF	18	3234-33	2	Screw-HHF
4	104-7320	1	Fuse	19	117-4700	1	Harness-Wire, Mid Duty Elect
5	104-8301	3	Nut-Flange, NI	19:2	100-4918	1	Diode-Over Molded
6	94-5582	1	Alarm-Audio	20	107-0740	1	Cable-Battery, Positive
6:1	104-5107	1	Nut-Plastic, Knurled	21	107-0741	1	Cable-Battery, Positive
7	32149-8	2	Nut-Keps	22	107-0742	1	Cable-Battery, Negative
8	104-7201	6	Nut-HF	23	32160-130	1	Connector
9	321-15	4	Screw-HH	24	107-0737	1	Harness-Wire, Battery Cable
10	110-2569	1	Controller-Sevcon	25	107-0286	1	Isolator
11	3231-4	1	Screw-CARR	27	107-0285	4	Spacer
12	104-7137-03	1	Mount-Controller	28	3290-379	2	Tie-Cable
13	3255-9	1	Washer-Lock				
14	32103-3	1	Nut-Wing				
15	104-7136	1	Contactora-48V				



Battery and Transaxle Assembly

Ref.	Part Number	Qty.	Description	Ref.	Part Number	Qty.	Description
1	104-8301	11	Nut-Flange, NI	18	104-6500	2	Drum-Brake
2	107-0739	1	Cable-Battery, Positive	19	120-5025	2	Tire And Wheel ASM
3	104-7149	2	Hold Down ASM	19:1	120-4974	1	Wheel
4	32120-47	2	Ring-Retaining, External	19:2	104-7289	1	Tire
5		8	Battery-Trojan T145 ●	19:3	232-27	1	Stem-Valve
5:2	107-0289	2	Cover-Terminal, Battery	20	242-50	10	Nut-Lug
5:3	107-0388	2	Nut	21	104-7339	2	Rod-Battery
6	3274-26	6	Screw-HSH	22	107-0280	16	Washer-Lock
7	3231-22	5	Screw-CARR	23	107-0738	6	Cable-Battery, Positive
8	104-7249-03	1	Bracket-Support	24	3272-10	2	Pin-Cotter
9	104-7305-03	1	Plate-Mount, Transaxle	25	283-62	2	Pin-Clevis
10	112-3399	1	Damper-Rubber	26	110-2647	2	Cable-Brake, Park
11	104-7335	1	Electric Motor ASM	27	3256-22	3	Washer-Flat
12	107-0259	1	Fan-10 Blade, Clockwise	28	110-1872	1	Hose-Fuel
13	32121-68	2	Pin-Roll	29	107-0356	1	Decal-Motor
14	73-3580	1	Washer	30	3290-379	12	Tie-Cable
15	3274-8	1	Screw-HSH	31	107-0376	1	Screw-HHF
16	3234-24	4	Screw-HHF	32	73-3580	3	Washer
17	114-8330	1	Electric Transaxle ASM	40	3290-378	2	Tie-Cable

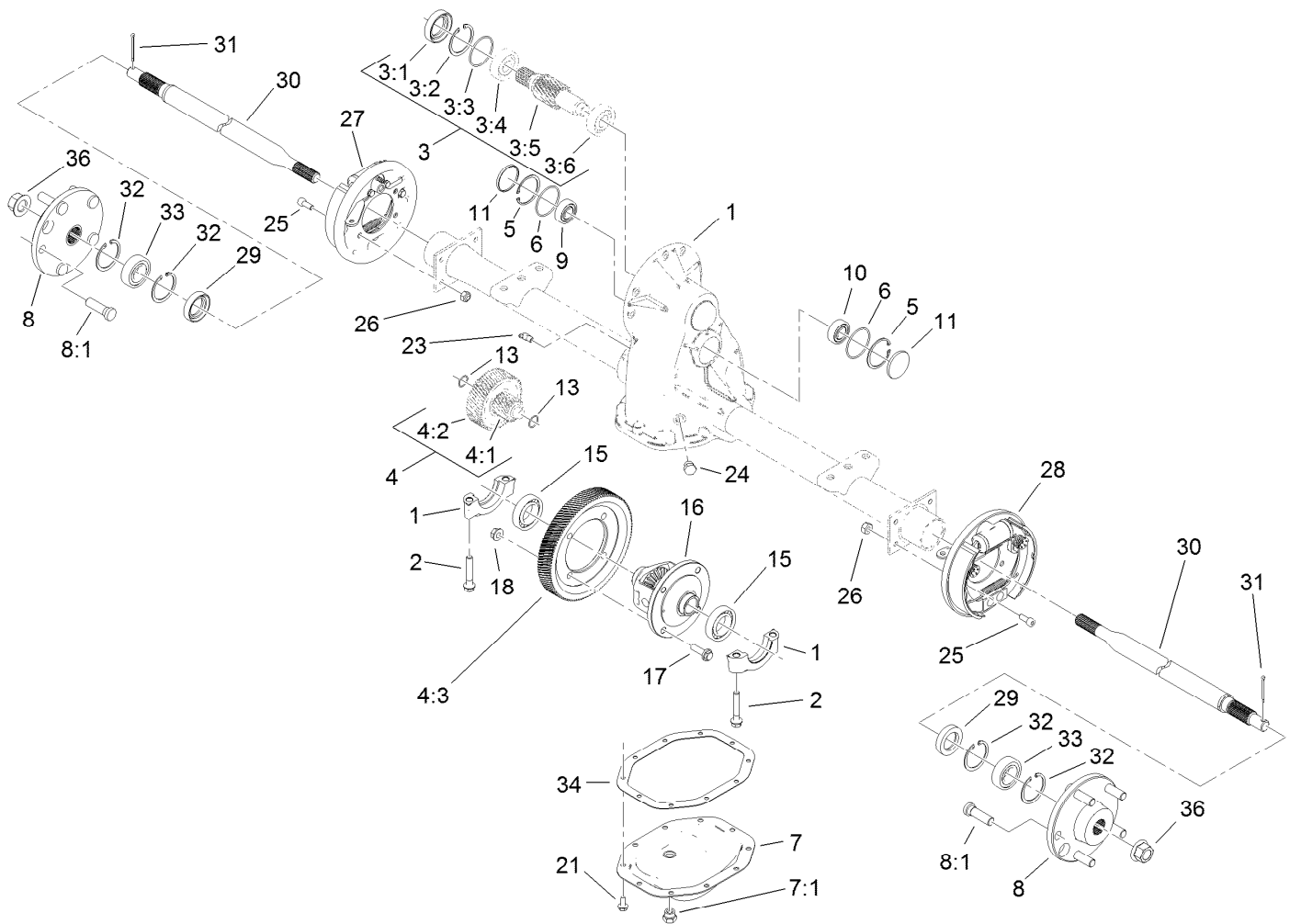
● Not serviced separately



Electric Motor Assembly No. 104-7335

Ref.	Part Number	Qty.	Description
1		1	Frame And Field ASM ●
2		1	Armature ASM ●
3	108-1151	2	Brush Lead ASM
4	108-1152	1	Brush Box ASM
5	108-1153	8	Spring-Brush
6	108-1154	1	Ring-Retaining
7	108-1155	1	Bearing
8	108-1156	1	Head-Commutator
9	108-1157	1	Headband ASM
10	108-1158	8	Brush
11	108-1159	1	Thermal Sensor ASM
12	3218-13	2	Nut-Jam, Brass
13	3218-14	2	Nut-Jam, Brass

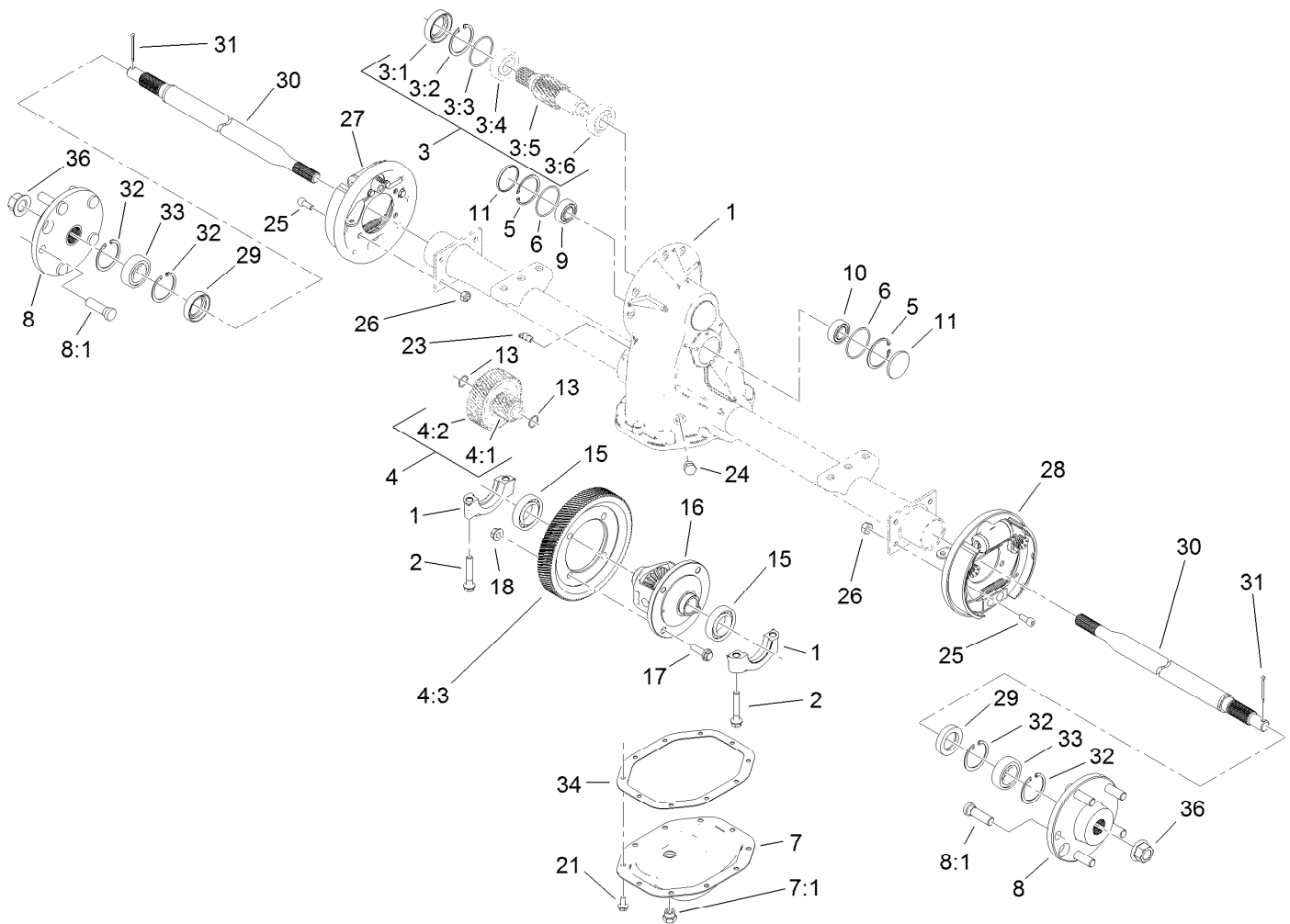
● Not serviced separately



Electric Transaxle Assembly No. 114-8330

Ref.	Part Number	Qty.	Description	Ref.	Part Number	Qty.	Description
1		1	Transaxle ASM ●	8:1	112-3137	1	Bolt-Wheel
2	108-2401	4	Bolt-Cap, Bearing	9	108-2406	1	Bearing-Ball
3	115-2185	1	Input Shaft Kit	10	108-2407	1	Bearing-Ball
3:1	108-2403	1	Seal-Oil	11	108-2408	2	Plug-Cap, End
3:2	108-2404	1	Ring-Retaining	13	108-2410	2	O-Ring
3:3	108-2405	1	O-Ring	15	108-2411	2	Bearing-Ball
3:4		1	Bearing-Ball ●	16	112-3138	1	Differential ASM
3:5		1	Shaft-Input ●	17	108-2413	4	Screw-Hex
3:6		1	Bearing-Ball ●	18	108-2414	4	Nut-Lock
4	108-2409	1	Internal Gear Kit	21	108-2427	10	Screw-Tapping
4:1		1	Shaft-Input ●	23	108-2428	1	Elbow-90 Degree
4:2		1	Gear-Intermediate ●	24	108-2429	1	Plug-HH
4:3	110-2541	1	Gear-Drive, Final	25	112-3139	8	Screw-HSH
5	108-2404	2	Ring-Retaining	26	108-2418	8	Nut-Lock
6	108-2405	2	O-Ring	27	114-8332	1	LH Brake ASM
7	108-2416	1	Cover Kit	28	114-8331	1	RH Brake ASM
7:1	108-2415	1	Plug-HH	29	112-3140	2	Seal-Oil
8	112-3136	2	Hub ASM	30	112-3141	2	Shaft-Axle

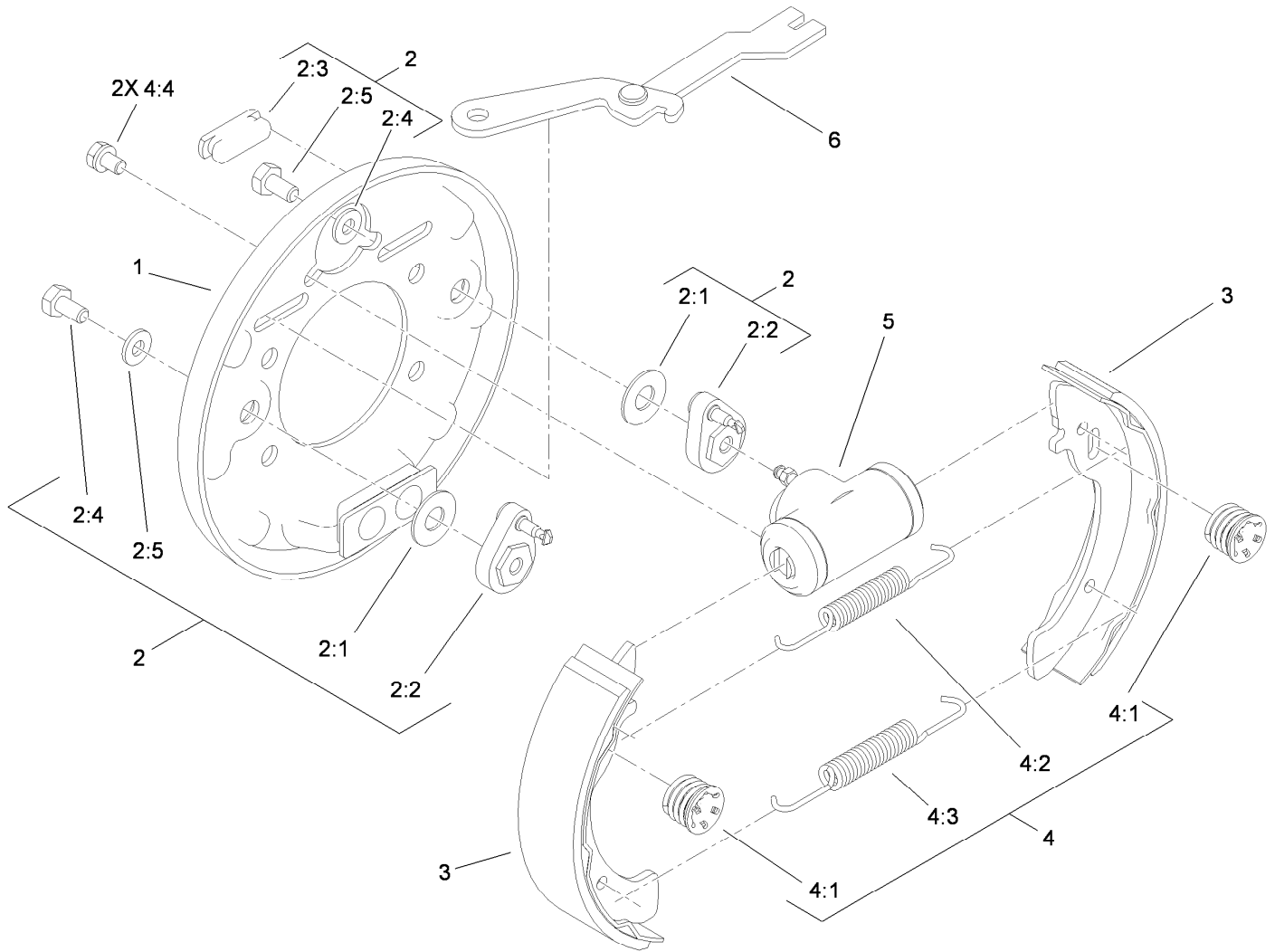
● Not serviced separately



Electric Transaxle Assembly No. 114-8330 (continued)

<i>Ref.</i>	<i>Part Number</i>	<i>Qty.</i>	<i>Description</i>	<i>Ref.</i>	<i>Part Number</i>	<i>Qty.</i>	<i>Description</i>
31	3272-12	2	Pin-Cotter	34	108-3148	1	Gasket
32	108-2424	4	Ring-Retaining	36	112-3142	2	Nut-HF
33	108-2425	2	Bearing-Ball				

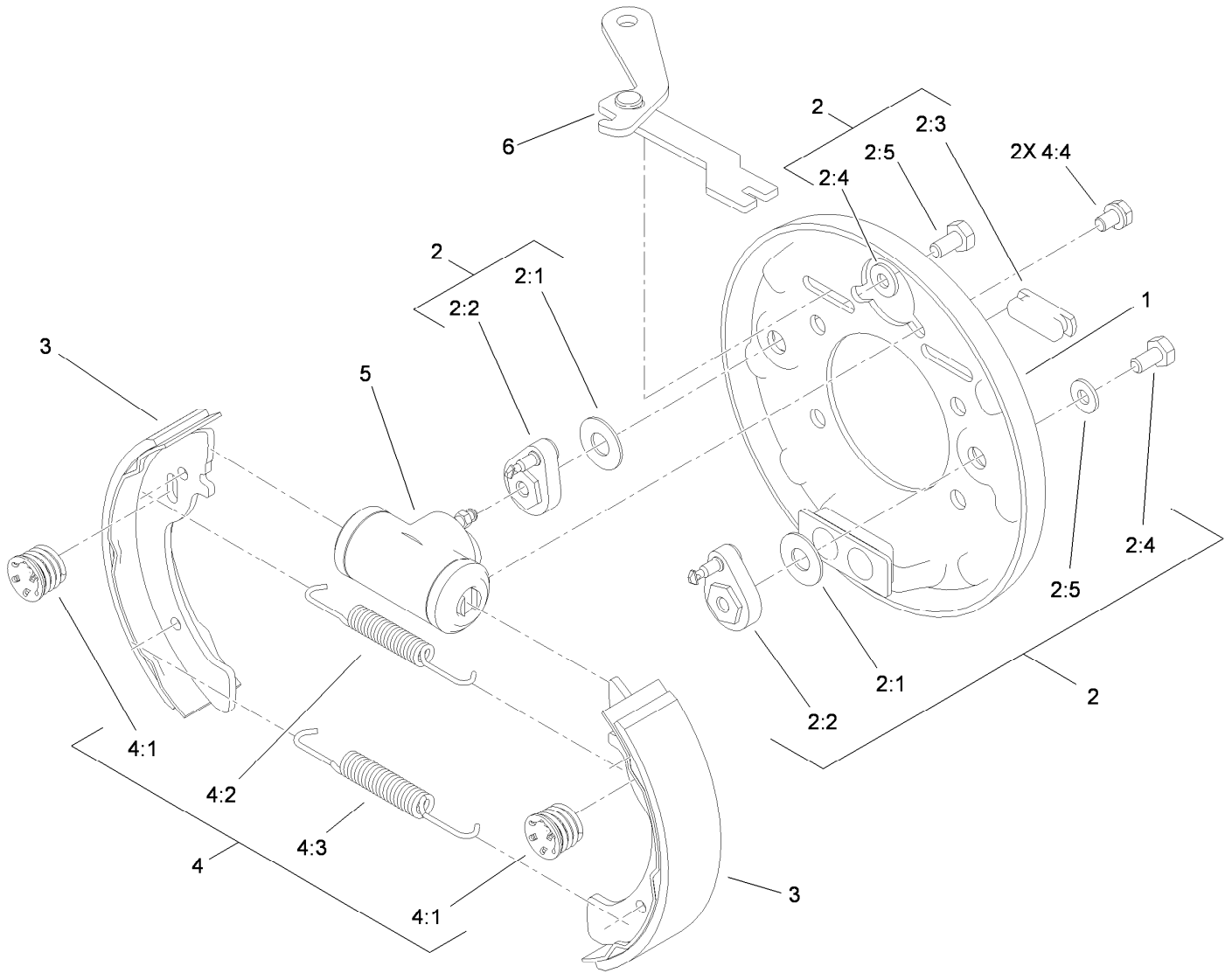
● Not serviced separately



LH Rear Brake Assembly No. 114-8332

Ref.	Part Number	Qty.	Description
1	100-8586	1	Backing Plate ASM
2	104-6820	1	Adjuster Kit
2:1	100-8585	2	Washer-Bellville
2:2	100-8588	2	Adjuster Lever ASM
2:3	100-8584	2	Cover-Dust
2:4		2	Washer ●
2:5		2	Bolt ●
3	104-6818	4	Shoe And Lining Kit
4	104-6819	1	Hardware Kit
4:1	100-8583	2	Shoe Hold Down Spring ASM
4:2	100-8581	2	Spring-Upper
4:3	100-8582	2	Spring-Lower
4:4		2	Bolt And Washer ●
5	114-8333	1	Wheel Cylinder ASM
6	104-6825	1	LH Park Brake Lever ASM

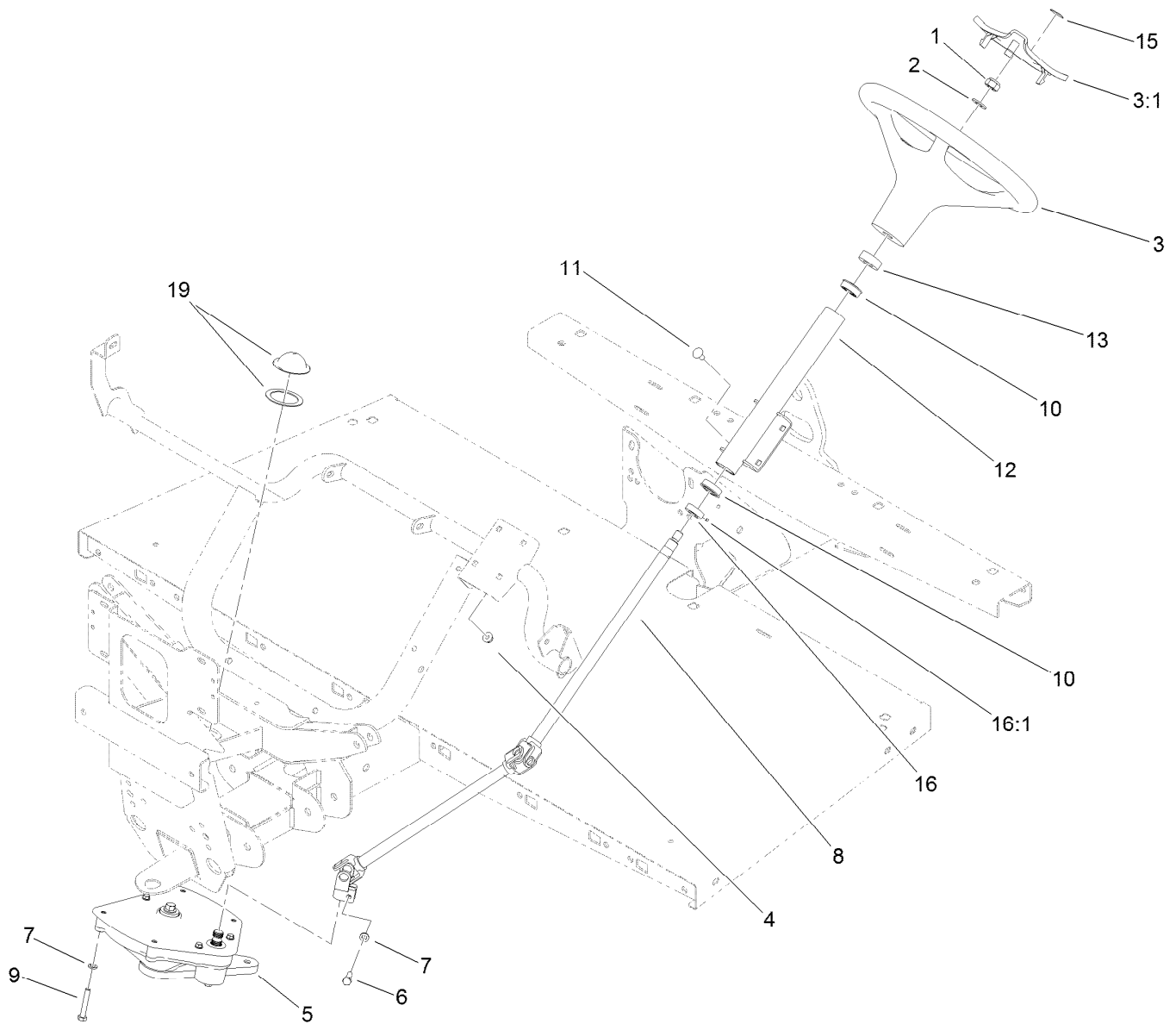
● Not serviced separately



RH Rear Brake Assembly No. 114-8331

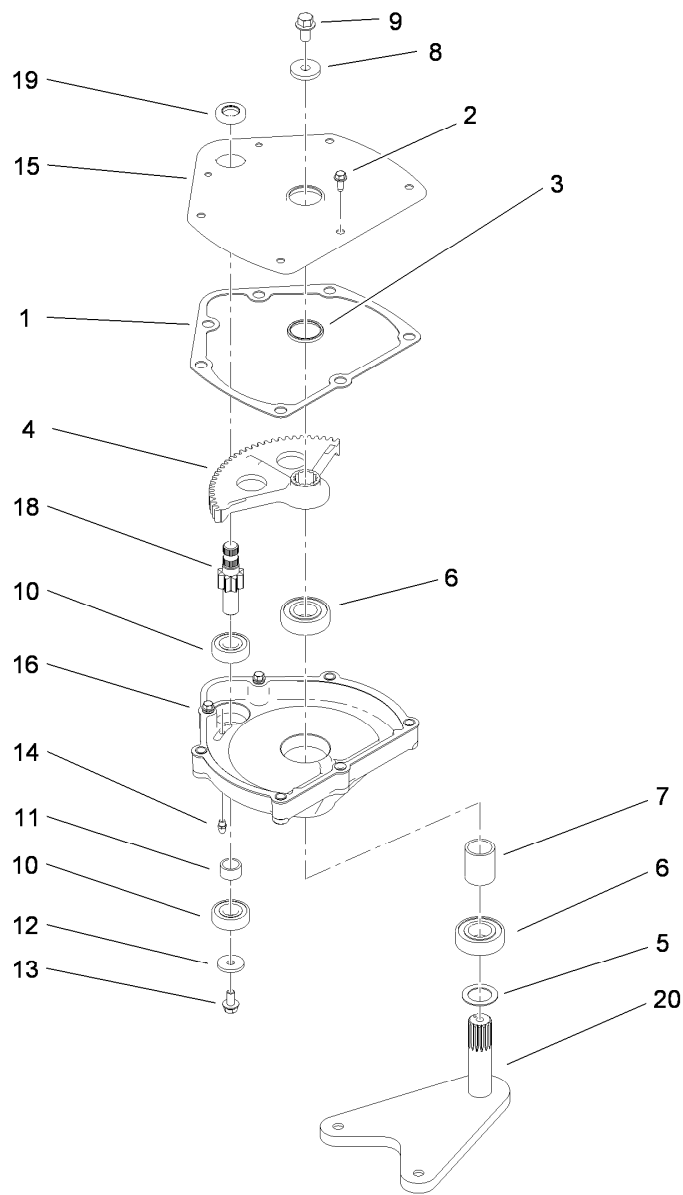
Ref.	Part Number	Qty.	Description
1	100-8586	1	Backing Plate ASM
2	104-6820	1	Adjuster Kit
2:1	100-8585	2	Washer-Bellville
2:2	100-8588	2	Adjuster Lever ASM
2:3	100-8584	2	Cover-Dust
2:4		2	Washer ●
2:5		2	Bolt ●
3	104-6818	4	Shoe And Lining Kit
4	104-6819	1	Hardware Kit
4:1	100-8583	2	Shoe Hold Down Spring ASM
4:2	100-8581	2	Spring-Upper
4:3	100-8582	2	Spring-Lower
4:4		2	Bolt And Washer ●
5	114-8333	1	Wheel Cylinder ASM
6	104-6826	1	RH Park Brake Lever ASM

● Not serviced separately



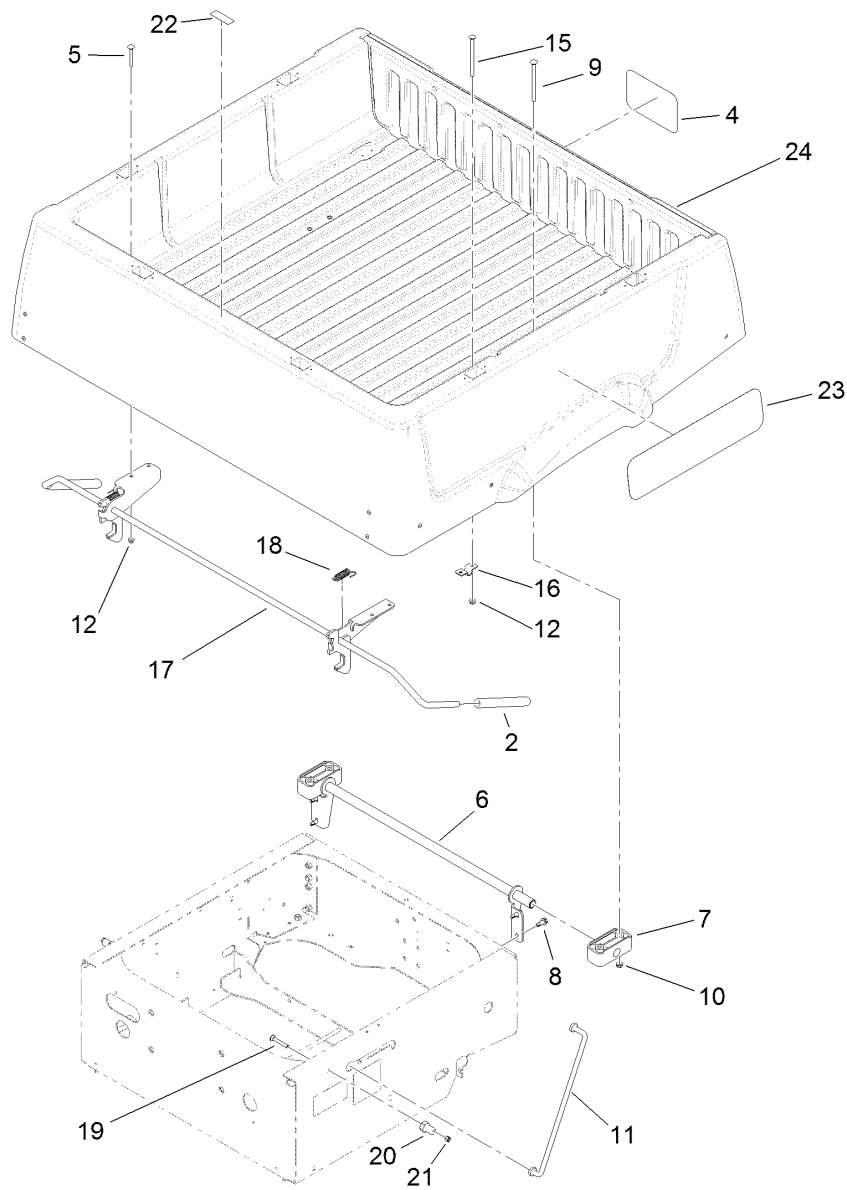
Upper Steering Assembly

<i>Ref.</i>	<i>Part Number</i>	<i>Qty.</i>	<i>Description</i>	<i>Ref.</i>	<i>Part Number</i>	<i>Qty.</i>	<i>Description</i>
1	119-9493	1	Nut-Lock, NI	9	112-3305	4	Screw-HH
2	3256-26	1	Washer-Flat	10	112-3262	2	Bearing
3	98-1471	1	Wheel-Steering	11	3230-1	4	Bolt-CARR
3:1	98-1468	1	Cover-Wheel, Steering	12	112-3264-03	1	Column
4	104-8300	4	Nut-Flange, NI	13	21-9260	1	Cover-Dust
5	112-3130	1	Steering Box ASM	15	98-1459	1	Decal
6	48-7730	1	Screw-Cap, HH	16	111383	1	Collar
7	3253-4	5	Washer-Lock	16:1	3245-32	1	Screw-HSH
8	112-3355	1	Steering Shaft ASM	19	120-5049	1	Steering Box Cover Kit



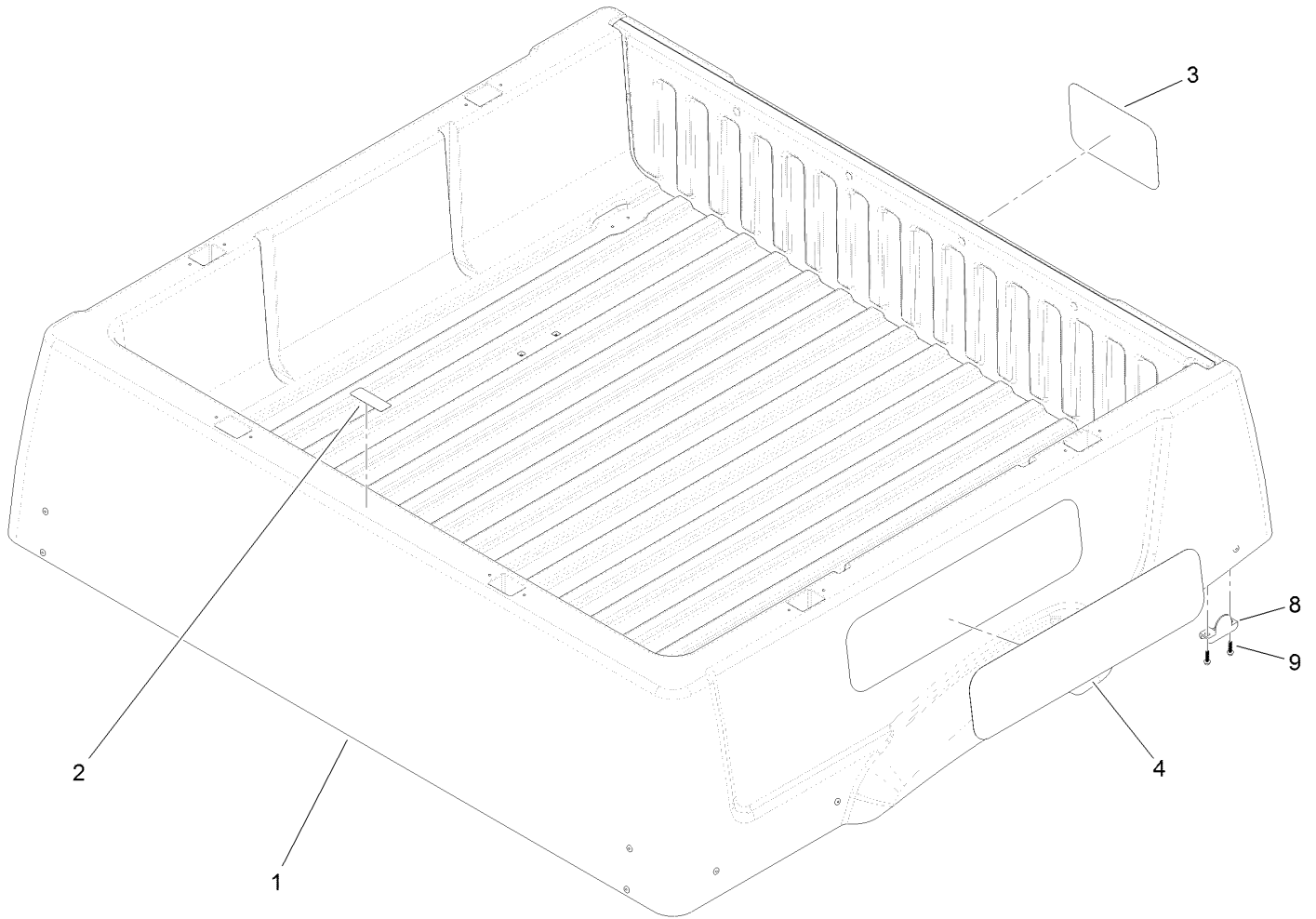
Steering Box Assembly No. 112-3130

<i>Ref.</i>	<i>Part Number</i>	<i>Qty.</i>	<i>Description</i>	<i>Ref.</i>	<i>Part Number</i>	<i>Qty.</i>	<i>Description</i>
1	94-2135	1	Gasket	11	94-2217	1	Spacer-Shaft, Input
2	32144-10	3	Screw-HWH	12	1-613235	1	Washer
3	103118	1	Seal	13	98-3498	1	Screw-HH
4	99-7843	1	Sector-Gear	14	302-5	1	Fitting-Grease
5	3256-42	1	Washer-Flat	15	112-2918-03	1	Cover-Housing, Steering
6	251-82	2	Bearing-Ball	16	114-8309	1	Housing-Steering
7	112-2917	1	Spacer	18	115-7726	1	Gear-Pinion
8	104-6563	1	Washer-Stepped	19	99-7657	1	Seal-Oil
9	104-7156	1	Screw-HHF	20	112-3096-03	1	Arm-Pitman
10	38-7820	2	Bearing-Ball				



Cargo Bed Installation Assembly

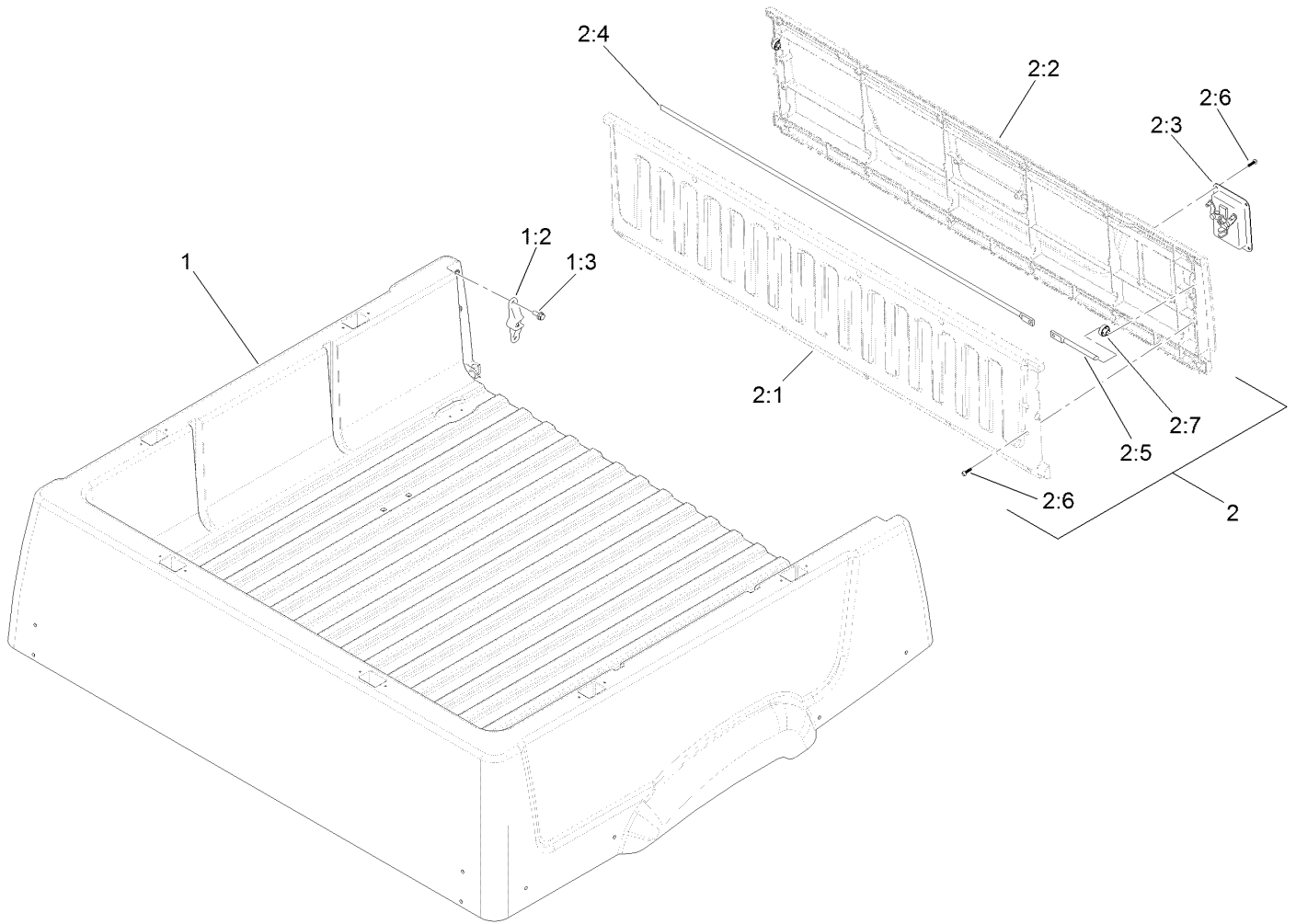
<i>Ref.</i>	<i>Part Number</i>	<i>Qty.</i>	<i>Description</i>	<i>Ref.</i>	<i>Part Number</i>	<i>Qty.</i>	<i>Description</i>
2	119-9627	2	Grip-Handle	15	119-0914	2	Bolt-CARR
4	104-7213	1	Decal	16	99-7896	1	Bracket-U, Prop Rod
5	3230-8	4	Screw-CARR	17	119-0837	1	Latch ASM
6	119-0848-03	1	Bracket-Pivot	18	5-7290	2	Spring-Tension
7	119-0835	2	Bushing-Pivot	19	3230-7	2	Bolt-CARR
8	105-6245	4	Screw-Tapping	20	104-7248	2	Pin-Latch
9	109-6795	4	Bolt-CARR	21	3296-29	2	Nut-Lock, NI
10	3290-357	4	Nut-HHF, Whiz	22	115-7739	1	Decal-No Riders
11	119-0844	1	Rod-Prop	23	119-9451	2	Decal
12	32128-20	6	Nut-HF	24	121-9810	1	Complete Cargo Bed ASM



Cargo Bed Service Assembly No. 121-9810

<i>Ref.</i>	<i>Part Number</i>	<i>Qty.</i>	<i>Description</i>
1		1	Cargo Bed And Tailgate ASM ●
2	115-7739	1	Decal-No Riders
3	104-7213	1	Decal
4	120-4825	2	Decal
8	121-9720	2	Cap-Pivot, Tailgate
9	121-9102	4	Screw-HWH

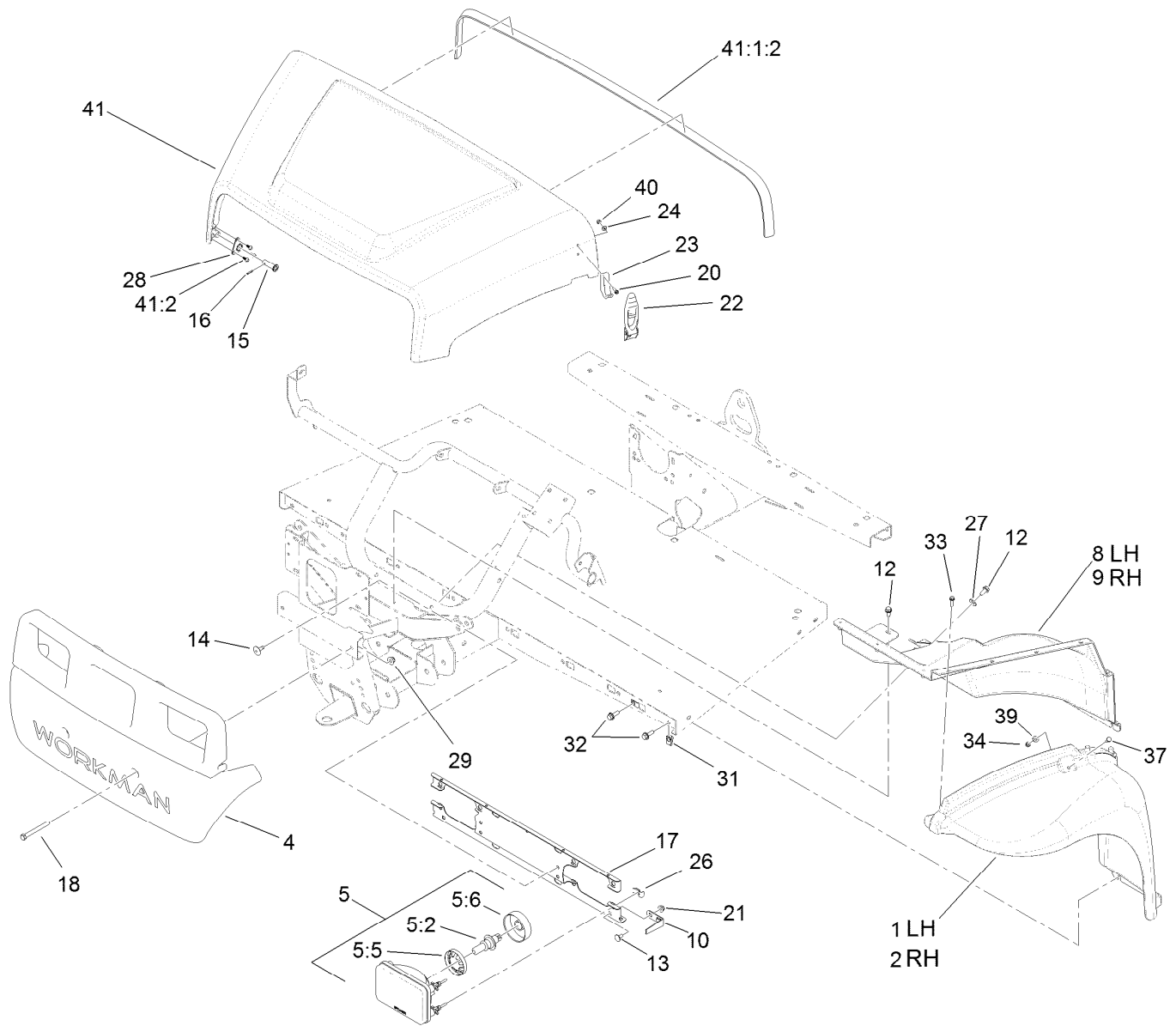
● Not serviced separately



Cargo Bed and Tailgate Assembly

Ref.	Part Number	Qty.	Description
1		1	Cargo Bed W/ Strikes ●
1:2	121-9717	2	Striker-Latch
1:3	3234-47	4	Screw-HHF
2	121-9806	1	Tailgate ASM
2:1		1	Tailgate-Inner ●
2:2		1	Tailgate-Outer ●
2:3	119-0891	1	Handle-Latch
2:4	121-9741	1	Rod-Latch, RH
2:5	121-9742	1	Rod-Latch, LH
2:6	121-9102	20	Screw-HWH
2:7	121-9724	2	Bushing

● Not serviced separately



Hood and Fender Assembly

Ref.	Part Number	Qty.	Description	Ref.	Part Number	Qty.	Description
1	112-3371	1	Fender-LH	21	32128-20	2	Nut-HF
2	112-3370	1	Fender-RH	22	115-2416	2	Latch-Rubber
4	112-3365	1	Bumper	23	103-2897	2	Latch-Catch
5	115-7617	2	Headlight ASM	24	3256-14	4	Washer-Flat
5:2	115-7618	1	Bulb-24V	26	115-2408	6	Clip-Speed
5:5	115-7667	1	Retainer-Headlamp	27	3256-71	2	Washer-Flat
5:6	115-7668	1	Boot-Headlamp	28	112-3308	2	Retainer-Pin
8	112-3369	1	Well-Fender, LH	29	104-8301	2	Nut-Flange, NI
9	112-3368	1	Well-Fender, RH	31	112-3306	10	Nut
10	112-3373	2	Keeper-Pivot, Hood	32	3234-29	10	Screw-HHF
12	32104-32	4	Screw-HWH	33	46-8091	20	Screw-HWH
13	3230-18	2	Screw-CARR	34	3296-42	2	Nut-Lock, NI
14	146489	4	Rivet	37	321-39	2	Screw-HH
15	117-5094	2	Pin-Clevis	39	3256-22	2	Washer-Flat
16	32121-50	2	Pin-Spring	40	3296-2	4	Nut-Lock, NI
17	119-0841-03	1	Bracket-Headlight	41	121-9606	1	Hood ASM
18	115-7660	2	Screw-HHF	41:1:2	115-7635	1	Seal-Foam
20	32105-13	4	Screw-HWH	41:2	121-9605	6	Screw-HWH

Attachments and Accessories

For 07299 Workman MDE Utility Vehicle

Product Name	Model/Part
Roll-Over Protection System	07276
Receiver Hitch Kit	07278
12V Power Plug Adapter Kit	07318
Canopy Kit	07324
Solid Windshield Kit	07325
Folding Windshield Kit	07326
Snow Plow	07327
Hard Cab	07328
Heavy-Duty Bumper Kit	07329
Heavy-Duty Brush Guard and Bumper Kit	07338
Sliding Window Door Kit	07352
Fixed Window Door Kit	07353
Electric Bed Lift Kit, 2011 and After Workman MDE Utility Vehicle.....	07382
Wheel-5 Bolt.....	104-6889
Tire-AT 489, 24x10.5-10	104-7061
Tire-AT 489, 22x9.5-10	104-7062
20 foot Cordset Kit (DC).....	108-3071
48V Battery Charger	115-7785
Horn Kit.....	115-7827
Replacement Front Spring Kit.....	117-4847
Accessory Installation Kit, Espar Heater Kit for Workman MDE Utility Vehicle	117-4968
Potentiometer Kit	117-5085
Cord-AC (US/CANADA)	119-0661
Tire And Wheel Asm	119-0751
Tapered Nozzle Kit, Pro Force Debris Blower	119-6280
Rectangular Nozzle Kit, Pro Force Debris Blower	119-6281
Nozzle-Extension, Straight	119-6282
Nozzle-Extension, Tapered.....	119-6283
Nozzle-Extension, Rectangular	119-6284
Side Mirror Kit.....	119-9546
Stake Pocket Adapter Kit, 2011 and After Workman MD Series Utility Vehicle.....	119-9604
Tie-Down Kit, 2011 and After Workman MD Series Utility Vehicle	119-9605
Bed Retrofit Kit, 2010 and Before Workman MD Series Utility Vehicle.....	119-9606
Road Light and Homologation Kit	120-5031
Brake and Signal Light Kit.....	120-5044
Lanyard Kit, Workman MD Series Utility Vehicle with Serial Number 313000501 thru 313999999	121-9898
Pro Force Debris Blower.....	44538
Road-Ready Pro Force Debris Blower.....	44539
Bed Mount Kit, Pro Force Debris Blower.....	44543
Bed Mount Sound Barrier Kit, Pro Force Debris Blower	44546

Notes:

Notes:



Count on it.